



AXIS 209FD/FD-R/FD-R M12
AXIS 209MFD/MFD-R/MFD-R M12
Installation Guide

ENGLISH

FRANCAIS

DEUTSCH

ITALIANO

ESPAÑOL

AXIS 209FD/FD-R/FD-R M12 AXIS 209MFD/MFD-R/MFD-R M12 Installation Guide

This installation guide provides instructions for installing the AXIS 209FD, AXIS 209FD-R, AXIS 209FD-R M12, AXIS 209MFD, AXIS 209MFD-R and the AXIS 209MFD-R M12 on your network. For all other aspects of using the product, please see the User's Manual, available on the CD included in this package, or from www.axis.com/techsup

ENGLISH

Installation steps

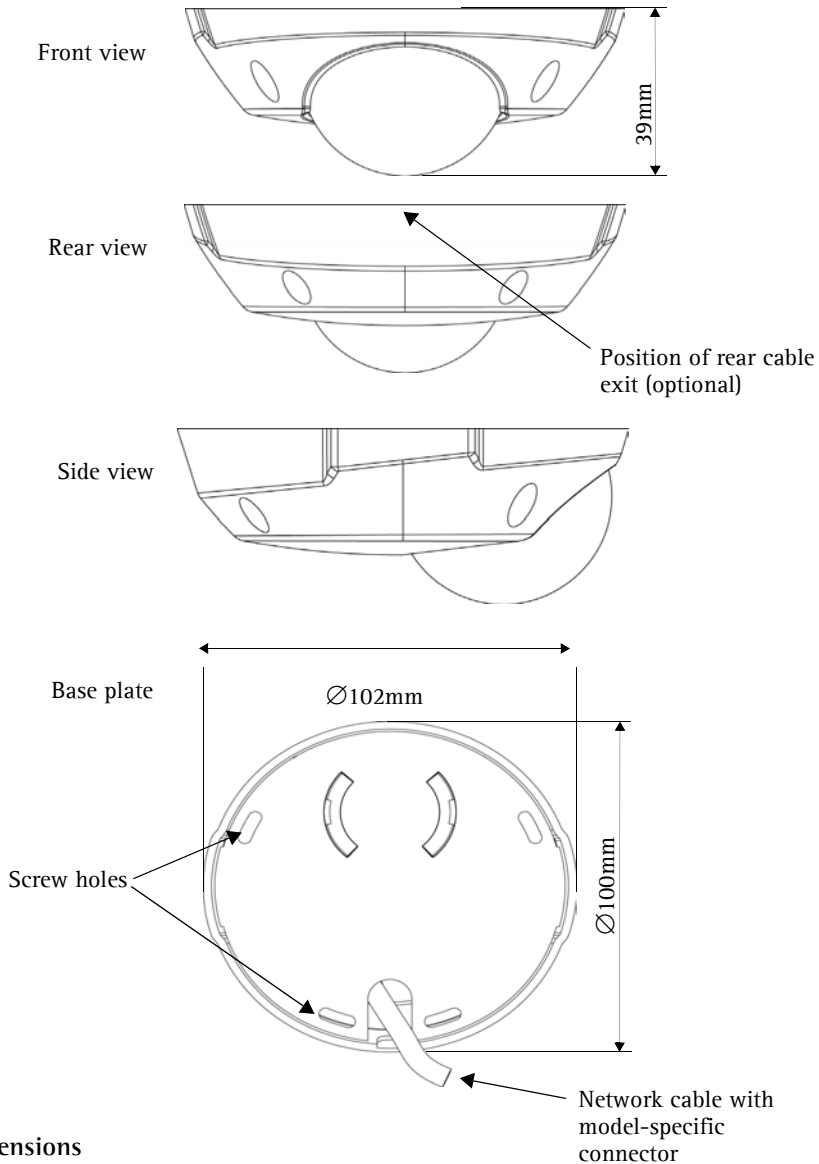
1. Check the package contents against the list below.
2. Hardware overview. See page 4.
3. Install the hardware. See page 5.
4. Set an IP address. See page 7.
5. Set the password. See page 10.
6. Adjust the lens. See page 11.
7. Complete the installation. See page 12.

Important!
This product must be used in compliance with local laws and regulations.

1 Package contents

Item	Models/variants/notes
Fixed Dome Network camera	AXIS 209FD AXIS 209FD-R AXIS 209FD-R M12 AXIS 209MFD AXIS 209MFD 16MM AXIS 209MFD-R AXIS 209MFD-R M12 AXIS 209MFD-R M12/SPLIT
PoE Midspan	Power over Ethernet midspan (1 port), including mains cable (AXIS 209FD/AXIS 209FD-R/AXIS 209MFD/AXIS 209MFD-R) (midspan not included in bulk pack)
Mounting kit	Allen key (hex key) for tamper-proof cover screws Silica gel sachet (AXIS 209FD-R/AXIS 209FD-R M12/AXIS 209MFD-R/AXIS 209MFD-R M12 only)
CD	AXIS Network Video Product CD, including product documentation, installation tools and other software
Printed Materials	AXIS 209FD/FD-R/FD-R M12/MFD/MFD-R/MFD-R M12 Installation Guide (this document) Axis Warranty Document

2 Hardware overview



Dimensions

Diameter 1 = 102mm (4.02"), Diameter 2 = 100mm (3.94")

Height = 39mm (1.54")

Weight = 0.18 kg (0.40lb)

3 Install the hardware

- ! **IMPORTANT!** - The casing of the AXIS 209FD/AXIS 209MFD is not approved for outdoor use and may only be installed in indoor environments. The AXIS 209FD-R/AXIS 209FD-R M12/AXIS 209MFD-R/AXIS 209MFD-R M12 is rugged and can be used in humid environments such as mass transit vehicles.

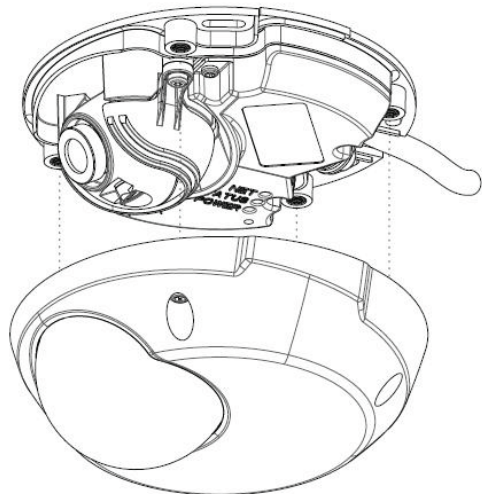
Mount the camera

The AXIS 209FD/FD-R/FD-R M12/MFD/MFD-R/MFD-R M12 can be mounted with the cable routed through the ceiling or from the side.

The AXIS 209FD/AXIS 209MFD is supplied with a standard RJ-45 female network connector, on a 2 meter cable.

The AXIS 209FD-R/AXIS 209MFD-R is supplied with a 29mm female RJ-45 network connector on a 0.5 meter cable. To protect the cabling against moisture this connector must be connected to a suitable 29mm male connector.

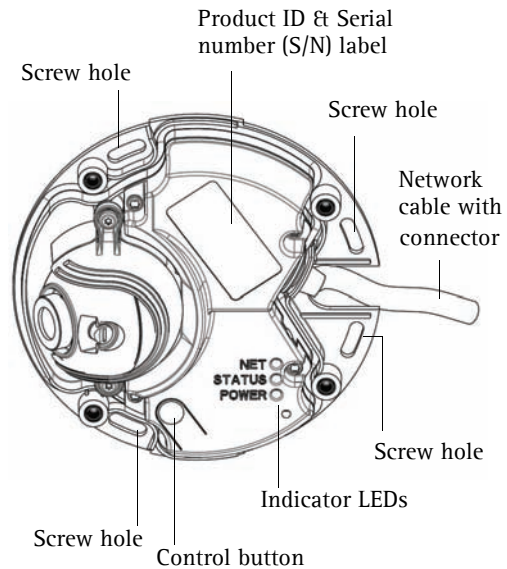
The AXIS 209FD-R M12/AXIS 209MFD-R M12 is supplied with a 21mm male M12 D-code network connector on a 0.5 meter cable. To protect the cabling against moisture this connector must be connected to a suitable 21mm female connector.



1. Using the supplied allen/hex key, loosen the 4 screws holding the cover and remove it.
2. Use the base plate to mark out the positions for the mounting screws.
3. To route the cable through a ceiling, cut or drill the hole for the cable and connector. For the AXIS 209FD/AXIS 209MFD - cut a 17mm hole. For the AXIS 209FD-R/AXIS 209MFD-R - cut a 30mm hole. For the AXIS 209FD-R M12/AXIS 209MFD-R M12 - cut a 22mm hole.
-or-
For a surface mounted cable, cut out the cable exit hole at the rear of the cover

ENGLISH

4. Connect the network cable. If PoE is not supported by the network switch, use the supplied PoE midspan/power injector to connect power to the AXIS 209FD, AXIS 209FD-R, AXIS 209MFD, AXIS 209MFD-R.
5. Check that the indicator LED:s indicate the correct conditions. See the table on page 14 for further details.
6. Fasten the base plate to a flat ceiling, using appropriate screws/plugs. Check that the base plate completely covers the cable hole, so that it is not visible when the camera is in place.



Before replacing the cover, you should now make the final adjustment to the position of the lens. This requires access to live images from the camera in your browser, so you should now proceed as follows:



- a) Assign an IP address - see step 4 on page 7.
- b) Set the password - see step 5 on page 10.
- c) Adjust the lens - see step 6 on page 11.
- d) Complete the installation - see step 7 on page 12.

4 Assign an IP address

To make it accessible on the network, the AXIS 209FD/FD-R/FD-R M12/MFD/MFD-R/MFD-R M12 must be assigned an IP address.

Depending on the number of cameras you wish to install, the recommended method for assigning IP addresses in Windows is either **AXIS IP Utility** or **AXIS Camera Management**. Use the method that best suits your purpose.

Both of these free applications are available on the Axis Network Video Product CD supplied with this product, or they can be downloaded from www.axis.com/techsup

Method	Recommended for	Operating system
 AXIS IP Utility See page 8	Single camera Small installations	Windows
 AXIS Camera Management See page 9	Multiple cameras Large installations Installation on a different subnet	Windows 2000 Windows XP Pro Windows 2003 Server Windows Vista

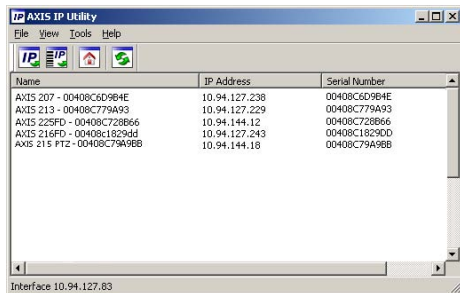
ENGLISH

Notes:

- If there is a DHCP server on your network the AXIS 209FD/FD-R/FD-R M12/MFD/MFD-R/MFD-R M12 will automatically receive a dynamic IP address, but this will not prevent manual setting of an alternative address.
- The AXIS 209FD/FD-R/FD-R M12/MFD/MFD-R/MFD-R M12 has the default IP address 192.168.0.90
- If assigning the IP address fails, check that there is no firewall blocking the operation.
- For other methods of assigning or discovering the IP address, e.g. in other operating systems, see page 13.

AXIS IP Utility - single camera/small installation

AXIS IP Utility automatically discovers and displays Axis devices on your network. The application can also be used to manually assign a static IP address.




Note that the computer running AXIS IP Utility must be on the same network segment (physical subnet) as the AXIS 209FD/FD-R/FD-R M12/MFD/MFD-R/MFD-R M12.

Automatic discovery

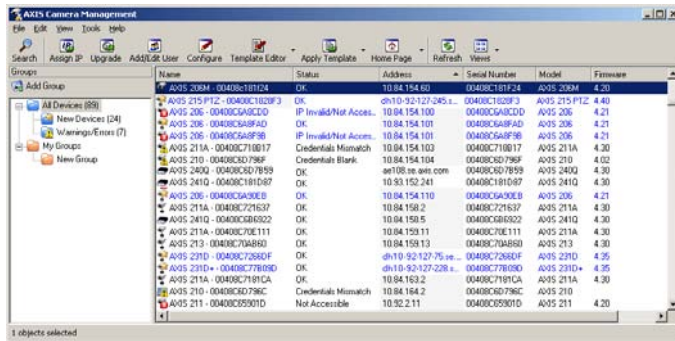
1. Check that the AXIS 209FD/FD-R/FD-R M12/MFD/MFD-R/MFD-R M12 is connected to the network and that power has been applied.
2. Start AXIS IP Utility.
3. When the camera appears in the window, double-click it to open its home page.
4. See page 10 for instructions on how to assign the password.

Assign the IP address manually (optional)

1. Acquire an unused IP address on the same network segment as your computer.
2. Select the AXIS 209FD/FD-R/FD-R M12/MFD/MFD-R/MFD-R M12 in the list.
3. Click the button  Assign new IP address to selected device and enter the IP address.
4. Click the Assign button and follow the instructions.
5. Click the Home Page button to access the camera's web pages.
6. See page 10 for instructions on how to set the password.

AXIS Camera Management - multiple cameras/large installations

AXIS Camera Management can automatically find and set IP addresses, show connection status, and manage firmware upgrades for multiple Axis video products.



ENGLISH

Set the IP address for a single device

1. Check that the camera is connected to the network and that power has been applied.
2. Start AXIS Camera Management. When the AXIS 209FD/FD-R/FD-R M12/MFD/MFD-R/MFD-R M12 appears in the window, double-click it to open the camera's home page.
3. See page 10 for instructions on how to set the password.

Set the IP address in multiple devices

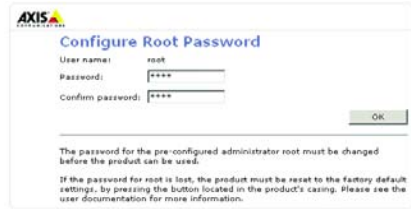
AXIS Camera Management speeds up the process of assigning IP addresses to multiple devices, by suggesting IP addresses from a specified range.

1. Select the devices you wish to configure (different models can be selected) and click the Assign IP button.
2. Select Obtain IP addresses automatically (DHCP), click the Update button and the program will search in the specified range and suggest an IP address for each device.

-or-
Enter the range of IP addresses, the subnet mask and default router that devices can use and click the Update button.

5 Set the password

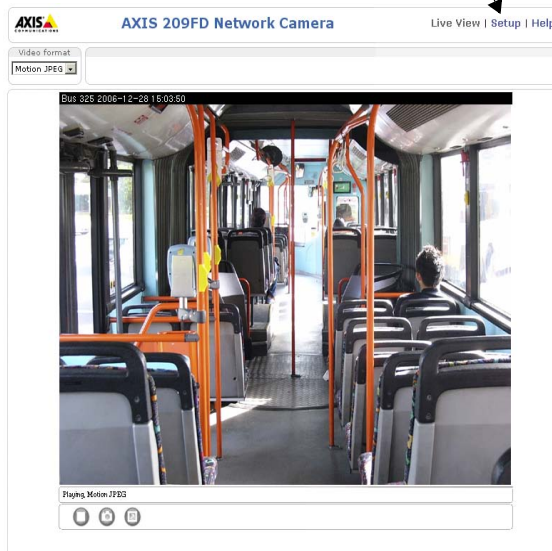
When accessing the AXIS 209FD/FD-R/FD-R M12/MFD/MFD-R/MFD-R M12 for the first time, the 'Configure Root Password' dialog will be displayed.



1. Enter a password and then re-enter it, to confirm the spelling. Click OK.
2. Enter the user name root in the dialog as requested.
Note: The default administrator user name root cannot be deleted.
3. Enter the password as set above, and click OK. If the password is lost, the AXIS 209FD/FD-R/FD-R M12/MFD/MFD-R/MFD-R M12 must be reset to the factory default settings. See page 14.
4. If required, click Yes to install AMC (AXIS Media Control), which allows viewing of the video stream in Internet Explorer. You will need administrator rights on the computer to do this.

The Live View page of the AXIS 209FD/FD-R/FD-R M12/MFD/MFD-R/MFD-R M12 is displayed, with links to the Setup tools, which allow you to customize the camera.

Setup - Provides all the tools for configuring the camera to requirements.



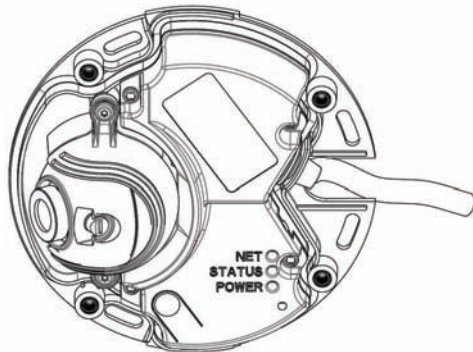
Help - Displays online help on all aspects of using the camera.

6 Lens adjustments

Position

To adjust the position of the lens, follow these steps:

1. Open the Live View page in your web browser.
2. While checking the image in the Live View page, move the lens to the desired position.



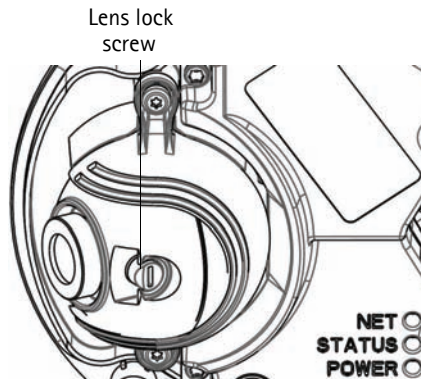
ENGLISH

Focus

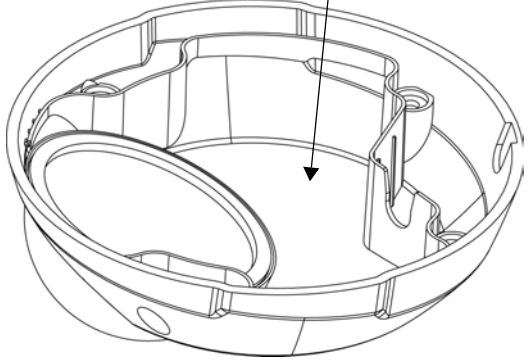
The focus of the AXIS 209FD/FD-R/FD-R M12/MFD/MFD-R/MFD-R M12 is set at the factory from 0.5m to infinity. It does not normally need adjustment.

To focus on objects closer than 0.5m, or if for some reason the lens has lost focus, this can be adjusted in the following way.

1. Loosen the lens lock screw.
2. Manually rotate the lens to adjust the focus until the image on the Live View page is satisfactory.
3. Gently retighten the lens lock screw.



7 Complete the installation

1. Clean the dome with a dry soft cloth to remove dust and fingerprints and use a blower to remove any dust from the lens.
2. To absorb any moisture in the AXIS 209FD-R/AXIS 209FD-R M12/AXIS 209MFD-R/AXIS 209MFD-R M12, remove the supplied silica gel sachet (dry bag) from the plastic bag and affix inside the cover, behind the dome.

A line drawing of the camera dome cover, viewed from the inside. The cover is circular with a central lens opening. An arrow points to a specific location on the inner wall of the cover, labeled 'Affix dry bag here.' The cover has several internal structural ribs and a gasket around the lens opening.
3. You can replace the cover in either of these two ways:
 - Replace cover and gently tighten the tamper-proof screws by hand using the supplied allen key. In the AXIS 209FD-R/AXIS 209FD-R M12/AXIS 209MFD-R/AXIS 209MFD-R M12, take care not to pinch the gasket.
 - Replace cover and tighten the tamper-proof screws with torque screwdriver (torque<0.4 Nm).

The installation is now complete.

Accessing the AXIS 209FD/FD-R/FD-R M12/MFD/MFD-R/MFD-R M12 from the Internet

Once installed, your AXIS 209FD/FD-R/FD-R M12/MFD/MFD-R/MFD-R M12 is accessible on your local network (LAN). To access the camera from the Internet, network routers must be configured to allow incoming traffic, which is usually done on a specific port. Please refer to the documentation for your router for further instructions. For more information on this and other topics, visit the Axis Support Web at www.axis.com/techsup

Other methods of setting the IP address

The table below shows the other methods available for setting or discovering the IP address. All methods are enabled by default, and all can be disabled.

	Use in operating system	Notes
UPnP™	Windows	When enabled on your computer, the camera is automatically detected and added to "My Network Places."
Bonjour	MAC OSX (10.4 or later)	Applicable to browsers with support for Bonjour. Navigate to the Bonjour bookmark in your browser (e.g. Safari) and click on the link to access the camera's web pages.
AXIS Dynamic DNS Service	All	A free service from Axis that allows you to quickly and simply install your camera. Requires an Internet connection with no HTTP proxy. See www.axiscam.net for more information.
ARP/Ping	All	See below. The command must be issued within 2 minutes of connecting power to the camera.
View DHCP server admin pages	All	To view the admin pages for the network DHCP server, see the server's own documentation.

Set the IP address with ARP/Ping

1. Acquire an IP address on the same network segment your computer is connected to.
2. Locate the serial number (S/N) on the AXIS 209FD/FD-R/FD-R M12/MFD/MFD-R/MFD-R M12 label.
3. Open a command prompt on your computer and enter the following commands:

Windows syntax	Windows example
<pre>arp -s <IP Address> <Serial Number> ping -l 408 -t <IP Address></pre>	<pre>arp -s 192.168.0.125 00-40-8c-18-10-00 ping -l 408 -t 192.168.0.125</pre>
UNIX/Linux/Mac syntax	UNIX/Linux/Mac example
<pre>arp -s <IP Address> <Serial Number> temp ping -s 408 <IP Address></pre>	<pre>arp -s 192.168.0.125 00:40:8c:18:10:00 temp ping -s 408 192.168.0.125</pre>

4. Check that the network cable is connected to the camera and then start/restart the camera, by disconnecting and reconnecting power.
5. Close the command prompt when you see 'Reply from 192.168.0.125: ...' or similar.
6. In your browser, type in `http://<IP address>` in the Location/Address field and press Enter on your keyboard.

Notes:

- To open a command prompt in Windows: from the Start menu, select Run... and type cmd. Click OK.
- To use the ARP command on a Mac OS X, use the Terminal utility in Application > Utilities.

LED indicators

LED	Color	Indication
Network	Green	Steady for connection to a 100 Mbit/s network. Flashes for network activity.
	Amber	Steady for connection to 10 Mbit/s network. Flashes for network activity.
	Unlit	No network connection.
Status	Green	Steady green for normal operation. Note: The Status LED can be configured to be unlit during normal operation, or to flash only when the camera is accessed. To configure, go to Setup > System Options > LED settings . See the online help files for more information.
	Amber	Steady during startup, during reset to factory default or when restoring settings.
	Red	Slow flash for failed upgrade.
Power	Green	Normal operation.
	Amber	Flashes green/amber during firmware upgrade.

Unit connectors

(AXIS 209FD/AXIS 209MFD) **Network connector** - Female RJ-45 Ethernet connector for 10BaseT/100BaseTX. Supports Power over Ethernet. Using shielded cables is recommended.

(AXIS 209FD-R/AXIS 209MFD-R) **Network connector** - Rugged female RJ-45 connector. Supports Power over Ethernet. Using shielded cables is recommended

(AXIS 209FD-R M12/AXIS 209MFD-R M12) **Network connector** - Rugged male M12 Ethernet connector. Supports Power over Ethernet. Using shielded cables is recommended.

Resetting to the Factory Default Settings

This will reset all parameters, including the IP address, to the Factory Default settings:

1. Disconnect the network cable from the camera.
2. Using the supplied allen/hex key, loosen the 4 screws holding the cover and remove it.
3. Press and hold the Control button and reconnect the network cable.
4. Keep the Control button pressed until the Status indicator displays amber (this may take up to 15 seconds).
5. Release the Control button. When the Status indicator displays green (which can take up to 1 minute) the process is complete and the camera has been reset.
6. Re-assign the IP address, using one of the methods described in this document.

It is also possible to reset parameters to the original factory default settings via the web interface. For more information, please see the online help or the user's manual.

Further information

The user's manual is available from the Axis Web site at www.axis.com or from the Axis Network Video Product CD supplied with this product.

Tip!

Visit www.axis.com/techsup to check if there is updated firmware available for your AXIS 209FD/FD-R/FD-R M12/MFD/MFD-R/MFD-R M12. To see the currently installed firmware version, see the Basic Configuration web page in the product's Setup tools.

Guide d'installation de l'AXIS 209FD/FD-R/FD-R M12 AXIS 209MFD/MFD-R/MFD-R M12

Ce Guide d'installation vous explique comment installer les appareils AXIS 209FD, AXIS 209FD-R, AXIS 209FD-R M12, AXIS 209MFD, AXIS 209MFD-R et AXIS 209MFD-R M12 Fixed Dome Network Camera sur votre réseau. Pour d'autres informations sur l'utilisation de ce produit, consultez le Manuel de l'utilisateur, disponible sur le CD fourni ou sur www.axis.com/techsup.

Étapes de l'installation

1. Vérifiez le contenu de la livraison à l'aide de la liste ci-dessous.
2. Présentation du matériel. Reportez-vous à la page 18.
3. Installation du matériel. Reportez-vous à la page 19.
4. Paramétrez une adresse IP. Reportez-vous à page 21.
5. Définissez le mot de passe. Reportez-vous à page 24.
6. Réglez l'objectif. Reportez-vous à la page 25.
7. Terminez l'installation. Reportez-vous à la page 26.

Important !

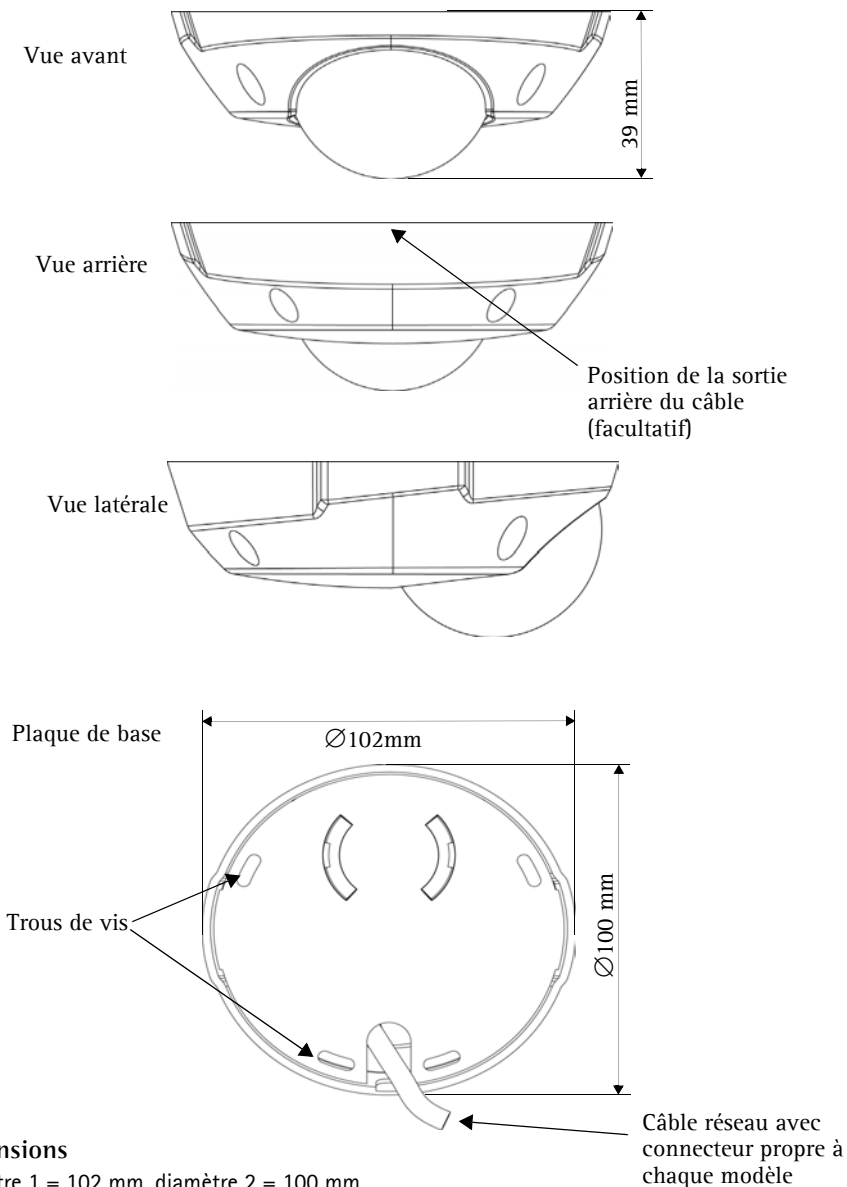
Ce produit doit être utilisé conformément aux lois et dispositions locales en vigueur.

FRANÇAIS

1 Contenu de l'emballage

Article	Modèles/variantes/remarques
Caméra réseau à dôme fixe	AXIS 209FD, AXIS 209FD-R, AXIS 209FD-R M12 AXIS 209MFD, AXIS 209MFD-R, AXIS 209MFD-R M12,AXIS 209MFD-R M12/ SPLIT, AXIS 209MFD 16MM
Midspan PoE	Midspan Power over Ethernet (1 port), câble de secteur fourni (AXIS 209FD/AXIS 209FD-R/AXIS 209MFD/AXIS 209MFD-R) (midspan non inclus dans le lot)
Kit de montage	Clé hexagonale pour vis inviolables Sachet de gel de silice (AXIS 209FD-R/AXIS 209FD-R M12/AXIS 209MFD-R/ AXIS 209MFD-R M12 uniquement)
CD	CD AXIS Network Video Product avec la documentation du produit, les outils d'installation et d'autres logiciels
Documentation imprimée	Guide d'installation de l'AXIS 209FD/FD-R/FD-R M12/MFD/MFD-R/MFD-R M12 (le présent document) Document de garantie d'Axis

2 Présentation du matériel



3 Installation du matériel

- ! IMPORTANT ! - Le boîtier de l'AXIS 209FD/AXIS 209MFD n'est pas conçu pour une utilisation en extérieur et ne doit être installé qu'à l'intérieur.
- L'AXIS 209FD-R/AXIS 209FD-R M12/AXIS 209MFD-R/AXIS 209MFD-R M12 est consolidée et peut être utilisée dans des environnements humides.

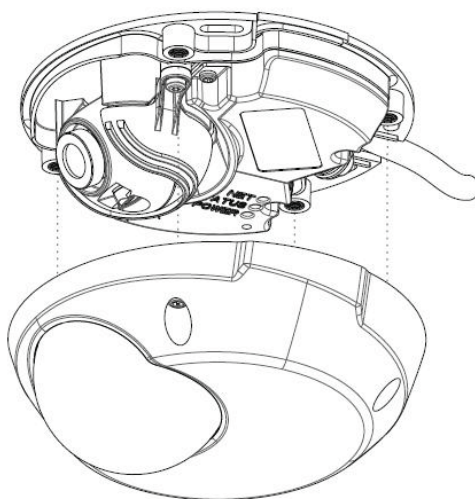
Montage de la caméra

L'AXIS 209FD/FD-R/FD-R M12/MFD/MFD-R/MFD-R M12 peut être montée avec le câble acheminé dans le plafond ou par le côté.

L'AXIS 209FD/AXIS 209MFD est équipée d'un connecteur de réseau femelle RJ-45 standard, sur un câble de 2 mètres.

L'AXIS 209FD-R/AXIS 209MFD-R est équipée d'un connecteur de réseau RJ-45 femelle de 29 mm sur un câble de 0,5 mètre. Afin de protéger le câblage de l'humidité, il est nécessaire de relier ce connecteur à un connecteur mâle de 29 mm.

L'AXIS 209FD-R M12/AXIS 209MFD-R M12 est équipée d'un connecteur de réseau M12 D-code mâle de 21 mm sur un câble de 0,5 mètre. Afin de protéger le câblage de l'humidité, il est nécessaire de relier ce connecteur à un connecteur femelle de 29 mm.



FRANCAIS

1. À l'aide de la clé hexagonale fournie, desserrez les 4 vis du couvercle et retirez ce dernier.
2. Utilisez la plaque de base pour marquer la position des vis de montage.
3. Pour acheminer le câble dans un plafond, découpez ou percez le trou destiné au câble et au connecteur.

Pour l'AXIS 209FD/AXIS 209MFD, découpez un trou de 17 mm.

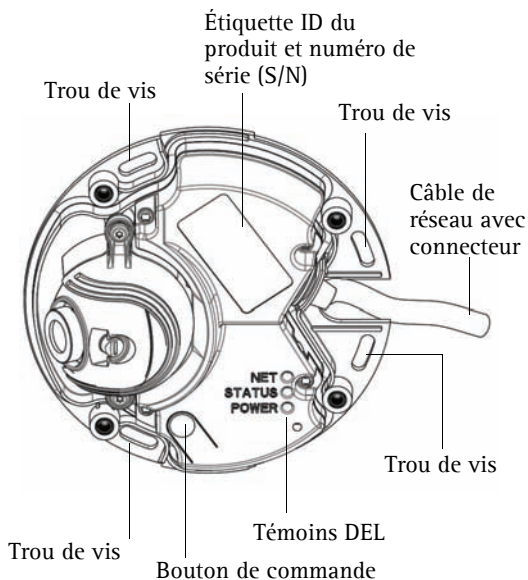
Pour l'AXIS 209FD-R/AXIS 209MFD-R, découpez un trou de 30 mm.

Pour l'AXIS 209FD-R M12/AXIS 209MFD-R M12, découpez un trou de 22 mm.

-ou-

Pour un câble en saillie, découpez l'orifice de sortie du câble à l'arrière du couvercle.

4. Connectez le câble réseau. Si l'alimentation PoE n'est pas prise en charge par le commutateur réseau, utilisez le midspan PoE fourni pour brancher l'AXIS 209FD/FD-R/FD-R M12/MFD/MFD-R/MFD-R M12.
5. Vérifiez que les témoins DEL indiquent les conditions correctes. Pour plus d'informations, consultez le tableau à la page 28.
6. Fixez la plaque de base au plafond à l'aide des vis/chevilles appropriées. Vérifiez que la plaque de base recouvre entièrement le trou du câble afin qu'il ne soit pas visible une fois la caméra en place.



Avant de replacer le couvercle, procédez au réglage final de la position de l'objectif. Vous devez pour cela accéder en direct aux images prises par la caméra dans votre navigateur Web ; procédez de la manière suivante :



- a) Attribuez-lui une adresse IP (étape 4 page 21).
- b) Définissez le mot de passe (étape 5 page 24).
- c) Réglez l'objectif (étape 6 page 25).
- d) Terminez l'installation (étape 7 page 26).

4 Attribution d'une adresse IP

Pour que l'appareil AXIS 209FD/FD-R/FD-R M12/MFD/MFD-R/MFD-R M12 soit accessible sur le réseau, vous devez lui affecter une adresse IP.

Selon le nombre de caméras à installer, pour attribuer des adresses IP sous Windows, il est recommandé d'utiliser **AXIS IP Utility** ou **AXIS Camera Management**. Employez l'application qui vous convient le mieux.

Ces deux applications gratuites sont disponibles sur le CD de la caméra vidéo réseau Axis fourni avec ce produit. Vous pouvez également les télécharger à partir du site www.axis.com/techsup.

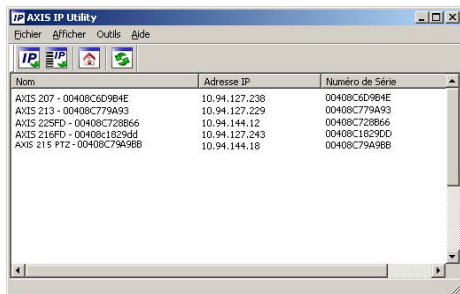
Méthode	Recommandée pour	Système d'exploitation
 AXIS IP Utility Voir page 22	Une seule caméra Les petites installations	Windows
 AXIS Camera Management Voir page 23	Plusieurs caméras Les grandes installations Installation sur un autre sous-réseau	Windows 2000 Windows XP Pro Windows 2003 Server Windows Vista

Remarques

- Si votre réseau comporte un serveur DHCP, l'AXIS 209FD/FD-R/FD-R M12/MFD/MFD-R/MFD-R M12 recevra automatiquement une adresse IP dynamique, mais cela ne vous empêchera pas de définir manuellement une autre adresse.
- L'adresse IP par défaut de l'AXIS 209FD/FD-R/FD-R M12/MFD/MFD-R/MFD-R M12 est 192.168.0.90.
- En cas d'échec de l'attribution de l'adresse IP, vérifiez qu'aucun pare-feu ne bloque l'opération.
- Pour connaître les autres méthodes d'affectation ou de repérage de l'adresse IP, par exemple sur d'autres systèmes d'exploitation, reportez-vous à la page 27.

AXIS IP Utility - Une seule caméra/petite installation

L'utilitaire AXIS IP Utility détecte et affiche automatiquement les périphériques Axis de votre réseau. Cette application sert également à attribuer manuellement une adresse IP statique.




Notez que l'ordinateur exécutant l'application AXIS IP Utility doit se trouver sur le même segment de réseau (sous-réseau physique) que l'appareil AXIS 209FD/FD-R/FD-R M12/MFD/MFD-R/MFD-R M12.

Détection automatique

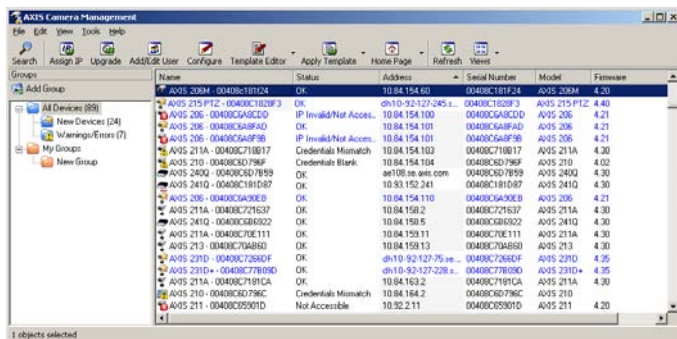
1. Vérifiez que l'appareil AXIS 209FD/FD-R/FD-R M12/MFD/MFD-R/MFD-R M12 est connecté au réseau et que l'alimentation est activée.
2. Démarrez AXIS IP Utility.
3. Lorsque l'icône de la caméra apparaît dans la fenêtre, double-cliquez dessus pour ouvrir la page d'accueil correspondante.
4. Consultez la page 24 pour savoir comment affecter le mot de passe.

Affectez manuellement l'adresse IP (optionnel)

1. Trouvez une adresse IP inutilisée sur le même segment de réseau que celui de votre ordinateur.
2. Sélectionnez AXIS 209FD/FD-R/FD-R M12/MFD/MFD-R/MFD-R M12 dans la liste.
3. Cliquez sur le bouton **Paramétrer une nouvelle adresse IP** de l'outil sélectionné. 
4. Cliquez sur le bouton **Paramétrer** et suivez les instructions.
5. Cliquez sur le bouton **Page d'accueil** pour accéder aux pages Web de la caméra.
6. Consultez la page 24 pour savoir comment définir le mot de passe.

AXIS Camera Management – Plusieurs caméras/grandes installations

AXIS Camera Management détecte et définit automatiquement les adresses IP, affiche les états de connexion et gère les mises à niveau de microprogrammes de nombreux produits vidéo Axis.



Détection automatique

1. Vérifiez que la caméra est connectée au réseau et que l'alimentation est activée.
2. Démarrez AXIS Camera Management. Double-cliquez sur l'icône AXIS 209FD/FD-R/FD-R M12/MFD/MFD-R/MFD-R M12 lorsqu'elle apparaît dans la fenêtre de façon à ouvrir la page d'accueil.
3. Consultez la page 24 pour savoir comment définir le mot de passe.

Paramétrer l'adresse IP sur plusieurs appareils

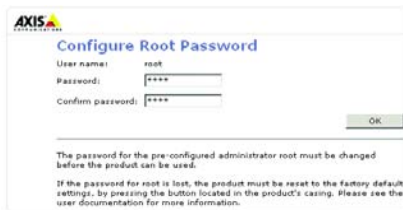
AXIS Camera Management accélère le processus d'affectation d'adresses IP sur plusieurs appareils en suggérant les adresses IP parmi une plage spécifiée.

1. Sélectionnez les appareils à configurer (il peut s'agir de plusieurs modèles), puis cliquez sur le bouton **Affecter une adresse IP**.
 2. Sélectionnez **Obtenir les adresses IP automatiquement (DHCP)**, puis cliquez sur le bouton **Mettre à jour**. L'application effectue une recherche dans la plage indiquée et suggère une adresse IP pour chaque appareil.
- ou-

Saisissez la plage d'adresses IP, le masque de sous-réseau et le routeur par défaut que les appareils peuvent utiliser, puis cliquez sur le bouton **Mettre à jour**.

5 Définition du mot de passe

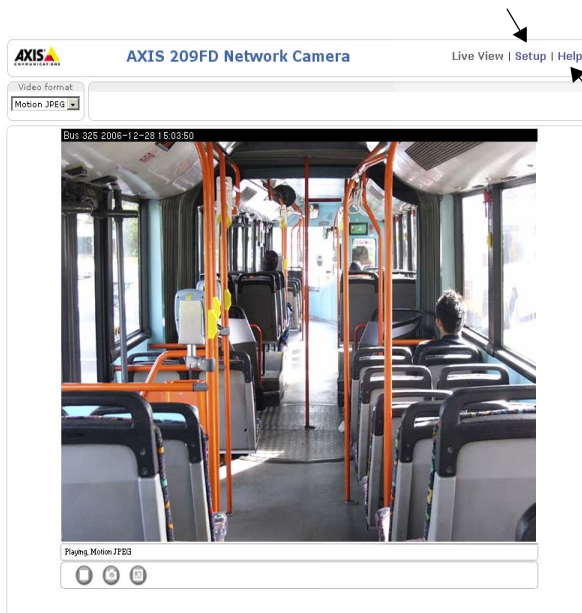
Si vous accédez à l'appareil AXIS 209FD/FD-R/FD-R M12/MFD/MFD-R/MFD-R M12 pour la première fois, la boîte de dialogue Configurer le mot de passe root s'affiche.



1. Entrez un mot de passe et entrez-le une seconde fois pour en confirmer l'orthographe. Cliquez sur OK.
2. Entrez le nom d'utilisateur root dans la boîte de dialogue. Remarque : le nom d'utilisateur par défaut de l'administrateur, à savoir root, ne peut pas être supprimé.
3. Entrez le mot de passe comme expliqué ci-dessus, puis cliquez sur OK. Si vous avez oublié votre mot de passe, vous devez rétablir les paramètres d'usine par défaut de l'AXIS 209FD/FD-R/FD-R M12/MFD/MFD-R/MFD-R M12. Reportez-vous à page 28.
4. Si nécessaire, cliquez sur Oui pour installer AMC (Axis Media Control) afin de pouvoir visualiser le flux vidéo dans Internet Explorer. Pour ce faire, vous devrez être connecté à votre ordinateur avec les droits d'administrateur.

La page Vidéo en direct de l'AXIS 209FD/FD-R/FD-R M12/MFD/MFD-R/MFD-R M12 s'affiche, avec des liens vers les outils de configuration pour adapter la caméra à vos besoins.

Configuration : contient tous les outils nécessaires pour adapter la caméra à vos besoins.



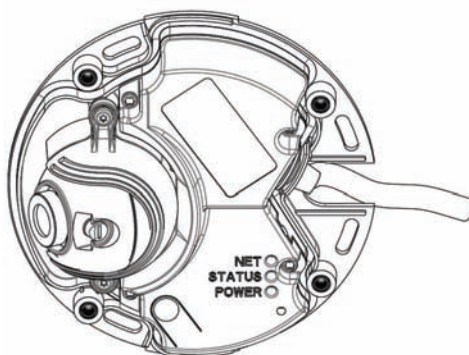
Aide : affiche une aide en ligne sur l'utilisation de la caméra.

6 Réglages de l'objectif

Position

Pour régler la position de l'objectif, procédez comme suit :

1. Ouvrez la page Vidéo en direct dans votre navigateur Web.
2. Tout en contrôlant l'image dans la page Vidéo en direct, déplacez l'objectif vers la position souhaitée.



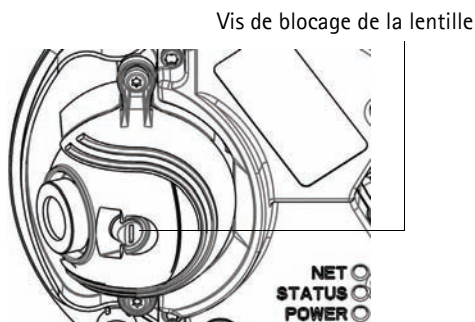
FRANCAIS

Mise au point

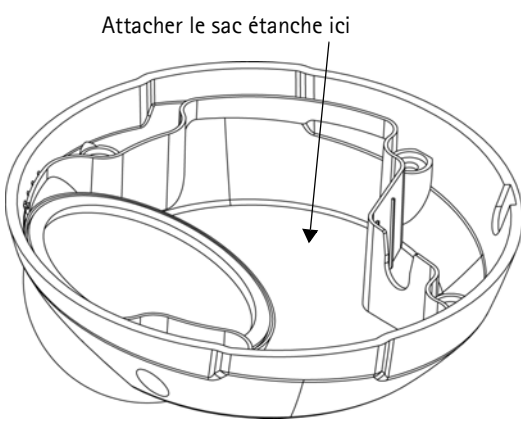
Le paramètre usine de mise au point de l'AXIS 209FD/FD-R/FD-R M12/MFD/MFD-R/MFD-R M12 va de 0,5 m à l'infini. En général, il n'est pas nécessaire de la régler.

Mettre le focus sur un objet à moins de 0.5m, ou si pour quelque raison la lentille perd le foyer, cela peut être ajusté de la manière suivante:

1. Desserrer la visse de serrure de foyer.
2. Ajuster manuellement l'objectif jusqu'à ce que l'image à la page de phase de vue soit satisfaisante.
3. Doucement resserrer la visse de serrure du foyer.



7 Fin de l'installation

1. Nettoyez le dôme avec un chiffon doux et sec pour enlever la poussière et les traces de doigt. Dépoussiérez l'objectif avec un ventilateur.
2. Pour absorber l'humidité éventuellement présente dans l'AXIS 209FD-R/AXIS 209FD-R M12/AXIS 209MFD-R/AXIS 209MFD-R M12, retirez le sachet de gel de silice fourni (sac étanche) du sac en plastique et attachez-le à l'intérieur du couvercle, derrière le dôme.
The diagram shows a top-down view of the camera dome cover. It is a circular, shallow container with a raised rim. Inside, there are several internal dividers and a central circular opening. An arrow points from the text 'Attacher le sac étanche ici' to a specific location on the inner wall of the cover, behind the central opening.
3. Remplacez le couvercle et serrez délicatement les vis inviolables à la main (moment de torsion <math>< 0.4 \text{ Nm}</math>), à l'aide de la clé hexagonale fournie. Dans l'AXIS 209FD-R/AXIS 209FD-R M12/AXIS 209MFD-R/AXIS 209MFD-R M12, veillez à ne pas pincer le joint.

L'installation est terminée.

Accès à l'appareil AXIS 209FD/FD-R/FD-R M12/MFD/MFD-R/MFD-R M12 à partir d'Internet

Une fois installé, votre appareil AXIS 209FD/FD-R/FD-R M12/MFD/MFD-R/MFD-R M12 est accessible sur votre réseau local (LAN). Pour accéder à la caméra depuis Internet, vous devez configurer les routeurs réseau afin d'autoriser l'entrée de données, ce qui se fait généralement sur un port spécifique. Consultez la documentation de votre routeur pour obtenir davantage d'instructions. Pour de plus amples informations, visitez le site de support d'Axis à l'adresse www.axis.com/techsup.

Autres méthodes de définition de l'adresse IP

Le tableau ci-dessous indique les autres méthodes permettant de définir ou de déterminer l'adresse IP. Toutes les méthodes sont activées par défaut et désactivables.

	Utilisation sur le système d'exploitation	Remarques
UPnP™	Windows	Lorsque la caméra est activée sur votre ordinateur, elle est détectée et ajoutée automatiquement au dossier Favoris réseau.
Bonjour	MAC OSX (10.4 ou version ultérieure)	Applicable aux navigateurs prenant en charge Bonjour. Accédez au raccourci de Bonjour dans votre navigateur (par exemple, Safari), puis cliquez sur le lien pour accéder aux pages Web de la caméra.
AXIS Dynamic DNS Service	Tous	Service Axis gratuit vous permettant d'installer rapidement votre caméra en toute simplicité. Nécessite une connexion Internet sans proxy HTTP. Pour plus d'informations, visitez le site www.axiscam.net .
ARP/Ping	Tous	Reportez-vous aux instructions ci-dessous. La commande doit être saisie dans les 2 minutes suivant la connexion de l'alimentation à la caméra.
Serveur DHCP	Tous	Pour consulter les pages administratives du serveur DHCP réseau, reportez-vous à la documentation du serveur.

Définition de l'adresse IP à l'aide d'ARP/Ping

1. Trouvez une adresse IP sur le même segment de réseau que celui de votre ordinateur.
2. Repérez le numéro de série (S/N) sur l'étiquette de la caméra AXIS 209FD/FD-R/FD-R M12/MFD/MFD-R/MFD-R M12.
3. Ouvrez une invite de commande sur votre ordinateur et entrez les commandes suivantes

Syntaxe pour Windows	Exemple pour Windows
arp -s <adresse IP> <numéro de série> ping -l 408 -t <adresse IP>	arp -s 192.168.0.125 00-40-8c-18-10-00 ping -l 408 -t 192.168.0.125
Syntaxe pour UNIX/Linux/Mac	Exemple pour UNIX/Linux/Mac
arp -s <adresse IP> <numéro de série> temp ping -s 408 <adresse IP>	arp -s 192.168.0.125 00:40:8c:18:10:00 temp ping -s 408 192.168.0.125

4. Vérifiez que le câble réseau est connecté à la caméra, puis démarrez/redémarrez cette dernière en débranchant, puis en rebranchant l'alimentation.
5. Fermez l'invite de commande quand vous voyez « Reply from 192.168.0.125: ... » (Réponse de 192.168.0.125 : ...) ou un message similaire.
6. Dans votre navigateur, tapez <http://<adresse IP>> dans le champ Emplacement/Adresse, puis appuyez sur Entrée sur le clavier.

Remarques

- Pour ouvrir une invite de commande sous Windows : dans le menu Démarrer, sélectionnez Exécuter et tapez cmd. Cliquez sur OK.

- Pour utiliser la commande ARP sur Mac OS X, utilisez l'utilitaire Terminal dans Application > Utilitaires.

Témoins DEL

Témoin DEL	Couleur	Indication
Réseau	Vert	Continu en cas de connexion à un réseau 100 Mbits/s. Clignote en cas d'activité réseau.
	Orange	Continu en cas de connexion à un réseau 10 Mbits/s. Clignote en cas d'activité réseau.
	Éteint	Pas de connexion réseau.
État	Vert	Vert continu en cas de fonctionnement normal. Remarque : Le voyant d'état peut être configuré pour être éteint au cours du fonctionnement normal, ou pour clignoter uniquement lors des accès à la caméra. Pour ce faire, cliquez sur Configuration > Options système > Paramètres DEL . Reportez-vous à l'aide en ligne pour plus d'informations.
	Orange	En continu pendant le démarrage, la réinitialisation des valeurs d'usine ou la restauration des paramètres.
	Rouge	Clignote lentement en cas d'échec de la mise à niveau.
Connecteur	Vert	Fonctionnement normal.
	Orange	Clignote en vert/orange pendant la mise à niveau du microprogramme.

Connecteurs de l'unité

(AXIS 209FD/AXIS 209MFD) **Connecteur de réseau** - Connecteur Ethernet RJ-45. Supporte l'Alimentation Électrique par Câble Ethernet (PoE). Il est recommandé d'utiliser des câbles blindés.

(AXIS 209FD-R/AXIS 209MFD-R) **Connecteur de réseau** - Connecteur Ethernet RJ-45 consolidée. Supporte l'Alimentation Électrique par Câble Ethernet (PoE). Il est recommandé d'utiliser des câbles blindés.

(AXIS 209FD-R M12/AXIS 209MFD-R M12) **Connecteur de réseau** - Connecteur Ethernet M12 consolidée. Supporte l'Alimentation Électrique par Câble Ethernet (PoE). Il est recommandé d'utiliser des câbles blindés.

Rétablissement des paramètres d'usine par défaut

Pour revenir aux paramètres par défaut définis en usine et réinitialiser l'adresse IP, procédez comme suit :

1. Débranchez le câble Ethernet de la caméra.
2. À l'aide de la clé hexagonale fournie, desserrez les 4 vis du couvercle et retirez ce dernier.
3. Maintenez le bouton de commande enfoncé et rebranchez le câble Ethernet.
4. Appuyez sur le bouton jusqu'à ce que le voyant d'état passe à l'orange et clignote (cela peut prendre jusqu'à 15 secondes).
5. Relâchez le bouton. Quand le voyant d'état émet une lumière verte (ce qui peut prendre 1 minute), la caméra est revenue aux réglages par défaut définis en usine.

Il est également possible de rétablir les paramètres usine par défaut d'origine via l'interface Web. Pour plus d'informations, reportez-vous à l'aide en ligne ou au Manuel de l'utilisateur.

Plus d'informations

Le Manuel de l'utilisateur est disponible sur le site Web d'Axis, ou sur le CD du produit vidéo réseau Axis fourni avec l'appareil.

Conseil :

Visitez le site www.axis.com/techsup pour vérifier si des micrologiciels mis à jour sont disponibles pour votre appareil AXIS 209FD/FD-R/FD-R M12/MFD/MFD-R/MFD-R M12. Pour connaître la version du micrologiciel actuellement installée, reportez-vous à la page Web Basic Configuration (Configuration de base) dans les outils de configuration du produit.

AXIS 209FD/FD-R/FD-R M12 AXIS 209MFD/MFD-R/MFD-R M12 Installationsanleitung

In dieser Anleitung wird die Installation der AXIS 209FD, AXIS 209FD-R, AXIS 209FD-R M12, AXIS 209MFD, AXIS 209MFD-R und der AXIS 209MFD-R M12 Fixed Dome Network Camera im Netzwerk beschrieben. Alle weiteren Hinweise zur Verwendung des Produkts finden Sie im Benutzerhandbuch, das auf der mitgelieferten CD enthalten ist und auf unserer Webseite unter www.axis.com/techsup zur Verfügung steht.

Installationsschritte

1. Prüfen Sie, ob alle in der nachfolgenden Liste aufgeführten Komponenten vorhanden sind.
2. Hardwareübersicht (siehe Seite 33).
3. Hardware installieren (siehe Seite 34).
4. IP-Adresse festlegen (siehe Seite 36).
5. Kennwort festlegen (siehe Seite 39).
6. Objektiv einstellen (siehe Seite 40).
7. Installation abschließen (siehe Seite 41).

Wichtiger Hinweis!
 Verwenden Sie dieses Produkt nur gemäß den geltenden rechtlichen Bestimmungen.

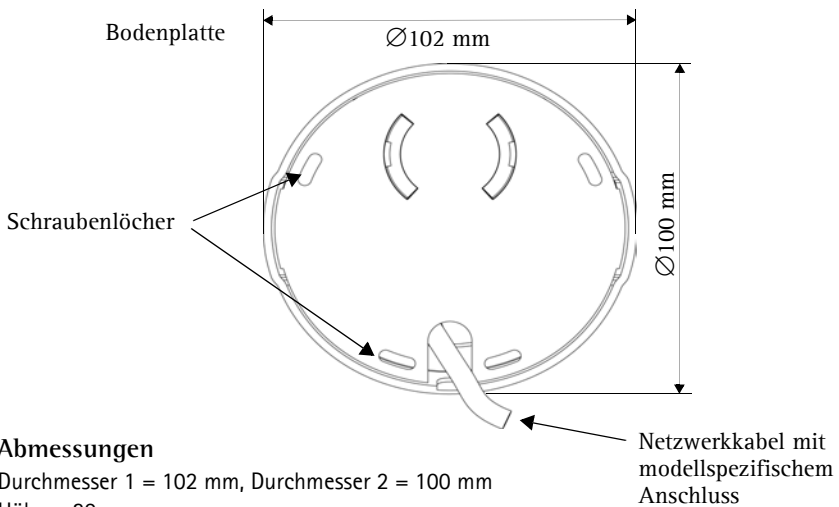
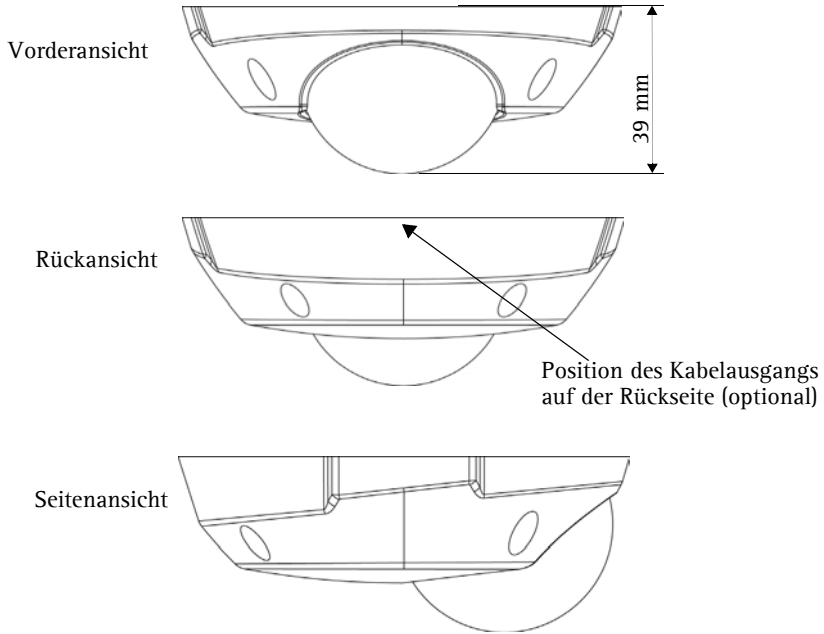
DEUTSCH

1 Lieferumfang

Komponente	Modelle/Varianten/Anmerkungen
Netzwerk-Kuppelkamera für Festinstallation	AXIS 209FD AXIS 209FD-R AXIS 209FD-R M12 AXIS 209MFD AXIS 209MFD-R AXIS 209MFD-R M12 AXIS 209MFD 16MM AXIS 209MFD-R M12/SPLIT
PoE Midspan	Power over Ethernet Midspan (1 Port) einschließlich Versorgungskabel (AXIS 209FD/AXIS 209FD-R/AXIS 209MFD/AXIS 209MFD-R) (Midspan ist nicht in der Großpackung enthalten)
Montagesatz	Inbusschlüssel (Sechskant-Stiftschlüssel) für manipulationssichere Schrauben Silicagelkissen (nur AXIS 209FD-R/AXIS 209FD-R M12/AXIS 209MFD-R/AXIS 209MFD-R M12)
CD	CD für AXIS-Netzwerkvideoprodukte einschließlich Produktdokumentation, Installationstools und anderer Software

Komponente	Modelle/Varianten/Anmerkungen
Gedruckte Dokumente	AXIS 209FD/FD-R/FD-R M12/MFD/MFD-R/MFD-R M12 Installationsanleitung (dieses Dokument) Axis-Garantieerklärung

2 Hardwareübersicht



Abmessungen

Durchmesser 1 = 102 mm, Durchmesser 2 = 100 mm

Höhe = 39 mm

Gewicht = 0,18 kg

3 Hardware installieren

- ! **WICHTIGER HINWEIS!** Das Gehäuse der AXIS 209FD/AXIS 209MFD ist nicht für die Benutzung im Freien geeignet. Deshalb darf die Kamera nur in Innenräumen installiert werden.
Die AXIS 209FD-R/AXIS 209FD-R M12/AXIS 209MFD-R/AXIS 209MFD-R M12 ist besonders widerstandsfähig und kann auch in feuchten Umgebungen verwendet werden.

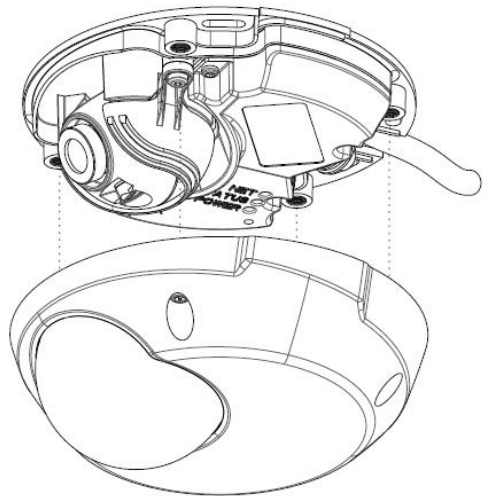
Kamera befestigen

Die AXIS 209FD/FD-R/FD-R M12/MFD/MFD-R/MFD-R M12 kann so befestigt werden, dass das Kabel durch die Decke oder seitlich der Kamera entlang führt.

Die AXIS 209FD/AXIS 209MFD verfügt über eine Standard-RJ-45-Netzwerkanschluss buchse (weiblich) mit einem 2 Meter langen Kabel.

Die AXIS 209FD-R/AXIS 209MFD-R verfügt über einen weiblichen RJ-45-Netzwerkanschluss (29 mm) mit einem 0,5 Meter langen Kabel. Um die Kabelverbindung vor Feuchtigkeit zu schützen, muss dieser Anschluss mit einem geeigneten Stecker (männlichen) (29 mm) verbunden werden.

Die AXIS 209FD-R M12/AXIS 209MFD-R M12 verfügt über eine M12 D-code Netzwerkanschluss (21 mm) mit einem 0,5 Meter langen Kabel. Um die Kabelverbindung vor Feuchtigkeit zu schützen, muss dieser Anschluss mit einem geeigneten Stecker (männlichen) (29 mm) verbunden werden.



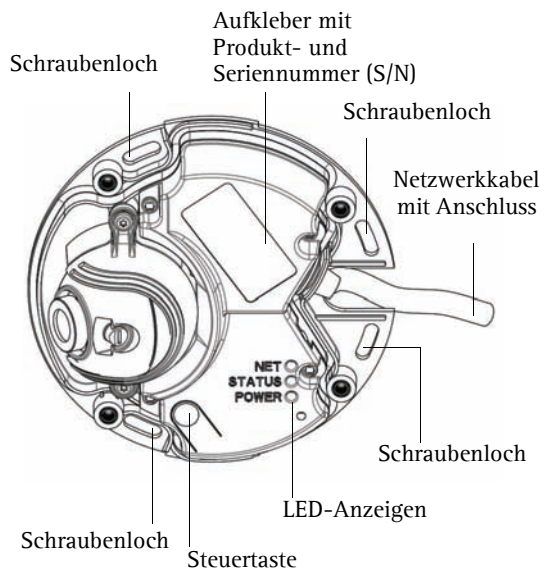
1. Lösen Sie mit Hilfe des mitgelieferten Inbusschlüssels/Sechskant-Stiftschlüssels die 4 Schrauben, mit denen das Gehäuse befestigt ist, und nehmen Sie das Gehäuse ab.
2. Markieren Sie mit Hilfe der Bodenplatte die Positionen der Montageschrauben.

3. Um das Kabel durch eine Decke zu verlegen, schneiden oder bohren Sie ein Loch für das Kabel und den Kabelanschluss.
Für die AXIS 209FD/AXIS 209MFD ist ein Loch mit einem Durchmesser von 17 mm erforderlich.
Für die AXIS 209FD-R/AXIS 209MFD-R wird ein Loch mit einem Durchmesser von 30 mm benötigt.
Für die AXIS 209FD-R M12/AXIS 209MFD-R M12 wird ein Loch mit einem Durchmesser von 22 mm benötigt.

Oder:

Um das Kabel per Aufputzmontage zu verlegen, schneiden Sie die Öffnung des Kabelausgangs auf der Rückseite des Gehäuses aus.

4. Schließen Sie das Netzwerk-kabel an. Falls der Netzwerk-Switch PoE nicht unterstützt, verwenden Sie den mitgelieferten PoE Midspan zum Stromanschluss des AXIS 209FD/FD-R/FD-R M12/MFD/MFD-R/MFD-R M12.
5. Überprüfen Sie, ob die LED-Anzeigen den Betriebszustand korrekt anzeigen. Weitere Informationen finden Sie in der Tabelle auf Seite 43.



DEUTSCH

6. Befestigen Sie die Bodenplatte mit Hilfe geeigneter Schrauben/Dübel an einer glatten Decke. Stellen Sie sicher, dass die Bodenplatte die Kabelöffnung vollständig abdeckt, so dass diese nicht sichtbar ist, wenn die Kamera aufgestellt wird.

Bringen Sie das Objektiv in seine endgültige Position, bevor Sie das Kameragehäuse wieder aufsetzen. Hierzu müssen Sie in Ihrem Browser auf Livebilder der Kamera zugreifen. Führen Sie dazu folgendes Schritte aus:



- a) IP-Adresse zuweisen (siehe Schritt 4 auf Seite 36)
- b) Kennwort festlegen (siehe Schritt 5 auf Seite 39)
- c) Objektiv einstellen (siehe Schritt 6 auf Seite 40)
- d) Installation abschließen (siehe Schritt 7 auf Seite 41)

4 IP-Adresse zuweisen

Um die Kommunikation mit dem Netzwerk zu ermöglichen, muss der AXIS 209FD/FD-R/FD-R M12/MFD/MFD-R/MFD-R M12 eine IP-Adresse zugewiesen werden.

Von der Anzahl der zu installierenden Kameras hängt ab, ob die IP-Adressen unter Windows mit Hilfe von **AXIS IP Utility** oder **AXIS Camera Management** zugewiesen werden sollten. Verwenden Sie die Methode, die für Ihren Zweck am besten geeignet ist.

Beide Anwendungen stehen kostenlos auf der mitgelieferten CD für Axis-Netzwerkvideoprodukte zur Verfügung oder können unter www.axis.com/techsup heruntergeladen werden.

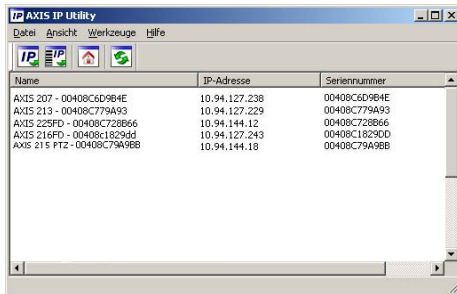
Methode	Empfohlen für	Betriebssystem
 AXIS IP Utility Siehe Seite 37	Einzelne Kamera Kleine Installationen	Windows
 AXIS Camera Management Siehe Seite 38	Mehrere Kameras Große Installationen Installation in einem anderen Subnetz	Windows 2000 Windows XP Pro Windows 2003 Server Windows Vista

Hinweise:

- Wenn Ihr Netzwerk über einen DHCP-Server verfügt, wird der AXIS 209FD/FD-R/FD-R M12/MFD/MFD-R/MFD-R M12 automatisch eine dynamische IP-Adresse zugewiesen. Sie können jedoch trotzdem manuell eine alternative Adresse festlegen.
- Die Standard-IP-Adresse der AXIS 209FD/FD-R/FD-R M12/MFD/MFD-R/MFD-R M12 lautet 192.168.0.90.
- Falls Sie die IP-Adresse nicht zuweisen können, müssen ggf. die Einstellungen der Firewall überprüft werden.
- Weitere Informationen zu alternativen Methoden zum Festlegen der IP-Adresse (z. B. in anderen Betriebssystemen) finden Sie auf Seite 42.

AXIS IP Utility – Einzelne Kamera/kleine Installation

AXIS IP Utility erkennt automatisch im Netzwerk vorhandene Axis-Geräte und zeigt diese an. Die Anwendung kann außerdem zur manuellen Zuweisung einer statischen IP-Adresse verwendet werden.




Beachten Sie, dass sich die AXIS 209FD/FD-R/FD-R M12/MFD/MFD-R/MFD-R M12 und der Computer, auf dem AXIS IP Utility ausgeführt wird, im gleichen Netzwerksegment (d. h. physischen Subnetz) befinden müssen.

Automatische Erkennung

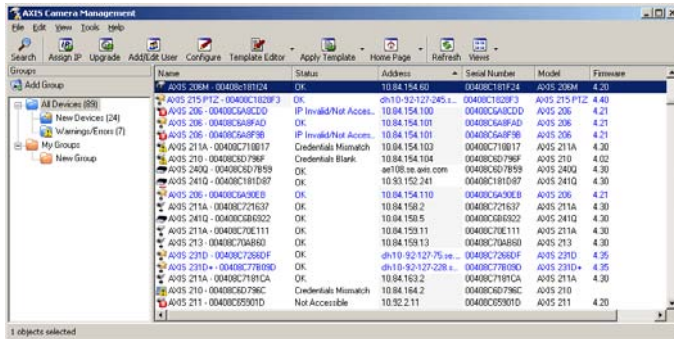
1. Stellen Sie sicher, dass die AXIS 209FD/FD-R/FD-R M12/MFD/MFD-R/MFD-R M12 an das Netzwerk und die Stromversorgung angeschlossen ist.
2. Starten Sie AXIS IP Utility.
3. Doppelklicken Sie auf das Symbol der Kamera, um die entsprechende Startseite zu öffnen.
4. Anweisungen zum Festlegen des Kennworts finden Sie auf Seite 39.

Manuelle Zuweisung der IP-Adresse (optional)

1. Wählen Sie eine nicht zugewiesene IP-Adresse im selben Netzwerksegment, in dem sich Ihr Computer befindet.
2. Wählen Sie die AXIS 209FD/FD-R/FD-R M12/MFD/MFD-R/MFD-R M12 aus der Liste.
3. Klicken Sie auf die Schaltfläche  Zuweisung einer neuen IP-Adresse an das ausgewählte Gerät und geben Sie die IP Adresse an.
4. Klicken Sie auf die Schaltfläche Zuweisen, und folgen Sie den Anweisungen.
5. Klicken Sie auf die Schaltfläche Home Page (Startseite), um auf die Webseiten der Kamera zuzugreifen.
6. Anweisungen zum Festlegen des Kennworts finden Sie auf Seite 39.

AXIS Camera Management – Mehrere Kameras/große Installation

Mit AXIS Camera Management können automatisch IP-Adressen gesucht und eingerichtet, der Verbindungsstatus angezeigt und die Firmware-Aktualisierungen mehrerer Axis-Videoprodukte verwaltet werden.



Automatische Erkennung

1. Stellen Sie sicher, dass die Kamera an das Netzwerk und die Stromversorgung angeschlossen ist.
2. Starten Sie AXIS Camera Management. Doppelklicken Sie auf das Symbol der AXIS 209FD/FD-R/FD-R M12/MFD/MFD-R/MFD-R M12, um die Startseite der Kamera zu öffnen.
3. Anweisungen zum Festlegen des Kennworts finden Sie auf Seite 39.

IP-Adresse für mehrere Geräte festlegen

AXIS Camera Management beschleunigt die Zuweisung von IP-Adressen an mehrere Geräte, indem IP-Adressen aus einem angegebenen Bereich vorgeschlagen werden.

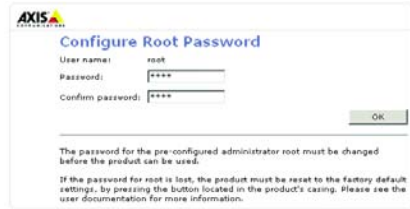
1. Wählen Sie die zu konfigurierenden Geräte aus (es können auch unterschiedliche Modelle gewählt werden), und klicken Sie auf die Schaltfläche **Assign IP** (IP-Adresse zuweisen).
2. Wählen Sie **Obtain IP addresses automatically** (IP-Adressen automatisch zuweisen) (DHCP), und klicken Sie auf die Schaltfläche **Update** (Aktualisieren). Das Programm startet eine Suche im angegebenen Bereich und schlägt für jedes Gerät eine IP-Adresse vor.

Oder:

Geben Sie den Bereich der IP-Adressen, die Subnetzmaske und den Standardrouter für die Geräte ein, und klicken Sie auf die Schaltfläche **Update** (Aktualisieren).

5 Kennwort festlegen

Beim erstmaligen Zugriff auf die AXIS 209FD/FD-R/FD-R M12/MFD/MFD-R/MFD-R M12 wird das Dialogfeld **Configure Root Password** (Root-Kennwort konfigurieren) angezeigt.



1. Geben Sie ein Kennwort ein, und wiederholen Sie die Eingabe, um die korrekte Schreibweise zu bestätigen. Klicken Sie auf **OK**.
2. Geben Sie den Benutzernamen „root“ beim Login Dialog ein wenn Sie dazu aufgefordert werden.
Hinweis: Der vorgegebene Administrator-Benutzername „root“ kann nicht gelöscht werden.
3. Geben Sie das zuvor festgelegte Kennwort ein, und klicken Sie auf **OK**. Wenn Sie das Kennwort vergessen, muss die AXIS 209FD/FD-R/FD-R M12/MFD/MFD-R/MFD-R M12 auf die werkseitigen Standardeinstellungen zurückgesetzt werden (siehe Seite 44).
4. Klicken Sie auf **Yes (Ja)**, um AMC (AXIS Media Control) zu installieren. Nach Abschluss der Installation können Sie Video-Streams in Microsoft Internet Explorer anzeigen. Zur Installation müssen Sie über Administratorrechte für den Computer verfügen.

Die Seite „Direktübertragung“ der AXIS 209FD/FD-R/FD-R M12/MFD/MFD-R/MFD-R M12 wird angezeigt. Sie enthält Links zu Setup-Tools, mit denen Sie die Kamera Ihren Bedürfnissen entsprechend anpassen können.

Setup: Alle zur benutzerspezifischen Konfiguration der Kamera notwendigen Tools.



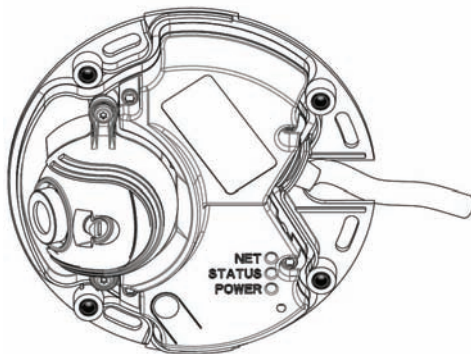
Hilfe: Aufrufen der Online-Hilfe für die Kamera.

6 Objektiveinstellungen

Position

Um die Position des Objektivs einzustellen, führen Sie folgende Schritte aus:

1. Öffnen Sie die Seite „Direktübertragung“ in Ihrem Webbrowser.
2. Überprüfen Sie das Bild auf der Seite „Direktübertragung“, und bewegen Sie das Objektiv dabei in die gewünschte Position.

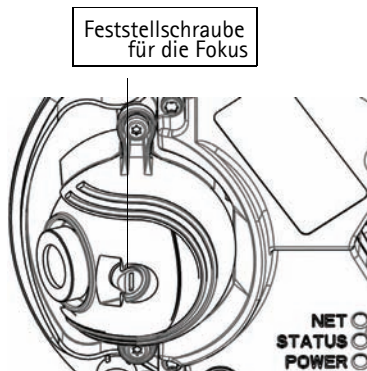


Fokus

Der Fokus der AXIS 209FD/FD-R/FD-R M12/MFD/MFD-R/MFD-R M12 ist standardmäßig auf 0,5 m bis unendlich eingestellt. Normalerweise ist keine Anpassung des Fokus erforderlich.

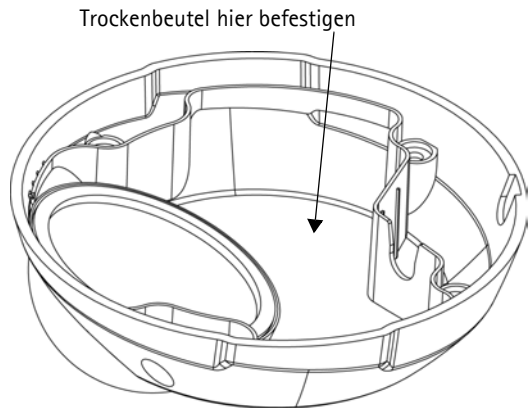
Wenn Sie Objekte in einer Entfernung von weniger als 0,5 Meter fokussieren möchten, oder wenn sich die Fokuseinstellung des Objektivs aus irgendeinem Grund geändert hat gehen Sie bitte folgendermaßen vor:

1. Lösen Sie die Feststellschraube für den Fokus
2. Fokussieren Sie manuell durch Drehen am Objektiv bis das Bild scharf ist
3. Drehen Sie die Feststellschraube vorsichtig wieder fest.



7 Installation abschließen

1. Entfernen Sie mit einem trockenen, weichen Tuch Fingerabdrücke und Staub von der Glasoberfläche. Blasen Sie Staub ggf. mit Druckluft von der Linse.
2. Nehmen Sie zur Absorption von Feuchtigkeit in der AXIS 209FD/FD-R/FD-R M12/MFD/MFD-R/MFD-R M12 das mitgelieferte Silicagelkissen (Trockenbeutel) aus dem Plastikbeutel, und befestigen Sie es hinter der Kuppel im Kameragehäuse.
3. Setzen Sie das Gehäuse wieder auf, und befestigen Sie die manipulationssicheren Schrauben manuell (Drehmoment < 0.4 Nm) mit Hilfe des mitgelieferten Inbusschlüssels. Achten Sie bei der AXIS 209FD/FD-R/FD-R M12/MFD/MFD-R/MFD-R M12 darauf, dass der Dichtungsring nicht eingeklemmt wird.



Die Installation ist damit abgeschlossen.

Über das Internet auf die AXIS 209FD/FD-R/FD-R M12/MFD/MFD-R/MFD-R M12 zugreifen

Sobald die AXIS 209FD/FD-R/FD-R M12/MFD/MFD-R/MFD-R M12 installiert ist, können Sie über Ihr lokales Netzwerk (LAN) auf die Kamera zugreifen. Um auch über das Internet auf die Kamera zugreifen zu können, müssen Sie die Netzwerk-Router so konfigurieren, dass diese den entsprechenden eingehenden Datenverkehr zulassen. Dies geschieht üblicherweise für einen bestimmten Port. Ausführliche Informationen zu diesem Thema finden Sie in der Dokumentation des Routers. Weitere Informationen hierzu und zu anderen Themen erhalten Sie auf der Support-Webseite von Axis unter www.axis.com/techsup.

Weitere Methoden zum Festlegen der IP-Adresse

Diese Tabelle bietet einen Überblick zu weiteren Methoden, die IP-Adresse festzulegen bzw. zu ermitteln. Alle Methoden sind standardmäßig aktiviert und können deaktiviert werden.

	Verwendung im Betriebssystem	Hinweise
UPnP™	Windows	Wenn die Funktion auf dem Computer aktiviert ist, wird die Kamera automatisch erkannt und zur „Netzwerkumgebung“ hinzugefügt.
Bonjour	MAC OS X (ab Vers. 10.4)	Kann nur bei Browsern verwendet werden, die Bonjour unterstützen. Navigieren Sie zum Bonjour-Lesezeichen Ihres Browsers (z. B. Safari), und klicken Sie auf den Link, um auf die Webseiten der Kamera zu gelangen.
AXIS Dynamic DNS Service	Alle	Ein kostenloser Service von Axis, mit dem Sie Ihre Kamera schnell und einfach installieren können. Voraussetzung ist eine Internetverbindung ohne HTTP-Proxyserver. Weitere Informationen hierzu finden Sie unter www.axiscam.net .
ARP/Ping	Alle	Siehe unten. Der Befehl muss innerhalb von 2 Minuten ausgeführt werden, nachdem die Kamera an das Stromnetz angeschlossen wurde.
Admin-Seiten des DHCP-Servers anzeigen	Alle	Hinweise zum Anzeigen der Administrationsseiten des DHCP-Servers im Netzwerk finden Sie in der Serverdokumentation.

IP-Adresse per ARP/Ping festlegen

1. Wählen Sie eine IP-Adresse aus dem Netzwerksegment, in dem sich auch Ihr Computer befindet.
2. Suchen Sie die Seriennummer (S/N) auf dem Produktaufkleber der AXIS 209FD/FD-R/FD-R M12/MFD/MFD-R/MFD-R M12.
3. Öffnen Sie auf Ihrem Computer die Eingabeaufforderung, und geben Sie die folgenden Befehle ein:

Syntax unter Windows:	Beispiel für Windows
<code>arp -s <IP-Adresse> <Seriennummer> ping -l 408 -t <IP-Adresse></code>	<code>arp -s 192.168.0.125 00-40-8c-18-10-00 ping -l 408 -t 192.168.0.125</code>
Syntax unter UNIX/Linux/Mac	Beispiel für UNIX/Linux/Mac
<code>arp -s <IP-Adresse> <Seriennummer> temp ping -s 408 <IP-Adresse></code>	<code>arp -s 192.168.0.125 00:40:8c:18:10:00 temp ping -s 408 192.168.0.125</code>

4. Stellen Sie sicher, dass das Netzwerkkabel mit der Kamera verbunden ist, und starten Sie die Kamera bzw. starten Sie diese neu, indem Sie die Stromversorgung unterbrechen und wiederherstellen.

5. Schließen Sie die Eingabeaufforderung, sobald ‚Reply from 192.168.0.125: ...‘ oder eine ähnliche Antwort angezeigt wird.
6. Starten Sie einen Browser, geben Sie im Adressfeld „http://<IP-Adresse>“ ein, und drücken Sie die Eingabetaste.

Hinweise:

- So öffnen Sie die Eingabeaufforderung unter Windows: Wählen Sie „Ausführen...“ im Startmenü, und geben Sie „cmd“ ein. Klicken Sie auf OK.
- Verwenden Sie zum Eingeben des Befehls „ARP“ unter Mac OS X das Dienstprogramm „Terminal“, das Sie unter „Anwendung > Dienstprogramme“ finden.

LED-Anzeigen

LED	Farbe	Bedeutung
Netzwerk	Grün	Leuchtet dauerhaft bei einer Netzwerkverbindung mit 100 Mbit/s. Blinkt bei Netzwerkaktivität.
	Gelb	Leuchtet dauerhaft bei Netzwerkverbindung mit 10 Mbit/s. Blinkt bei Netzwerkaktivität.
	Leuchtet nicht	Keine Netzwerkverbindung.
Status	Grün	Leuchtet bei Normalbetrieb dauerhaft grün. Hinweis: Die Status-LED kann so konfiguriert werden, dass sie bei normalem Betrieb nicht leuchtet oder nur dann blinkt, wenn auf die Kamera zugegriffen wird. Klicken Sie zur Konfiguration auf Setup > Systemoptionen > LED-Einstellungen . Weitere Informationen dazu finden Sie in der Online-Hilfe.
	Gelb	Leuchtet dauerhaft beim Start und beim Wiederherstellen der Werkseinstellungen bzw. von vorherigen Einstellungen.
	Rot	Blinkt langsam, wenn bei der Aktualisierung ein Fehler aufgetreten ist.
Betrieb	Grün	Normalbetrieb.
	Gelb	Blinkt grün/gelb bei Firmware-Aktualisierung.

DEUTSCH

Kameraanschlüsse

(AXIS 209FD/AXIS 209MFD) Netzwerkanschluss - RJ-45-Ethernetanschluss. Unterstützt PoE-Anschluss. Die Verwendung von geschirmten Kabeln wird empfohlen.

(AXIS 209FD-R/AXIS 209MFD-R) Netzwerkanschluss - Robuster RJ-45-Ethernetanschluss. Unterstützt PoE-Anschluss. Die Verwendung von geschirmten Kabeln wird empfohlen.

(AXIS 209FD-R M12/AXIS 209MFD-R M12) Netzwerkanschluss - Robuster M12-Ethernetanschluss. Unterstützt PoE-Anschluss. Die Verwendung von geschirmten Kabeln wird empfohlen.

Auf werkseitige Voreinstellungen zurücksetzen

Gehen Sie folgendermaßen vor, um sämtliche Parameter einschließlich der IP-Adresse auf die werkseitigen Standardeinstellungen zurückzusetzen:

1. Trennen Sie das Netzkabel von der Kamera.
2. Lösen Sie mit Hilfe des mitgelieferten Inbusschlüssels/Sechskant-Stiftschlüssels die 4 Schrauben, mit denen das Gehäuse befestigt ist, und nehmen Sie das Gehäuse ab.
3. Halten Sie die Steuertaste gedrückt, und schließen Sie das Netzkabel wieder an.
4. Halten Sie die Steuertaste so lange gedrückt, bis die Status LED gelb leuchtet (dies kann bis zu 15 Sekunden dauern).
5. Lassen Sie die Steuertaste los. Sobald die Status LED grün leuchtet (dies kann bis zu 1 Minute dauern), ist die Kamera auf die werkseitigen Standardeinstellungen zurückgesetzt.

Die Parameter können auch über die Weboberfläche auf die werkseitigen Einstellungen zurückgesetzt werden. Weitere Informationen hierzu finden Sie in der Online-Hilfe und im Benutzerhandbuch.

Weitere Informationen

Das Benutzerhandbuch ist auf der Axis-Website unter www.axis.com erhältlich und befindet sich auch auf der mitgelieferten CD für Axis-Netzwerkvideoprodukte.

Tipp!

Unter www.axis.com/techsup finden Sie Firmware-Aktualisierungen für Ihre AXIS 209FD/FD-R/FD-R M12/MFD/MFD-R/MFD-R M12. Gehen Sie unter „Setup-Tools“ auf die Seite „Standardkonfiguration“, um die aktuelle Firmware-Version anzuzeigen.

Guida all'installazione di AXIS 209FD/FD-R/FD-R M12 AXIS 209MFD/MFD-R/MFD-R M12

Nel presente documento vengono fornite le istruzioni per installare la Fixed Dome Network Camera AXIS 209FD, AXIS 209FD-R, AXIS 209FD-R M12, AXIS 209MFD, AXIS 209MFD-R e AXIS 209MFD-R M12 in rete. Per tutti gli altri aspetti sull'utilizzo del prodotto, vedere il Manuale per l'utente disponibile sul CD incluso nella confezione oppure all'indirizzo www.axis.com/techsup.

Procedura di installazione

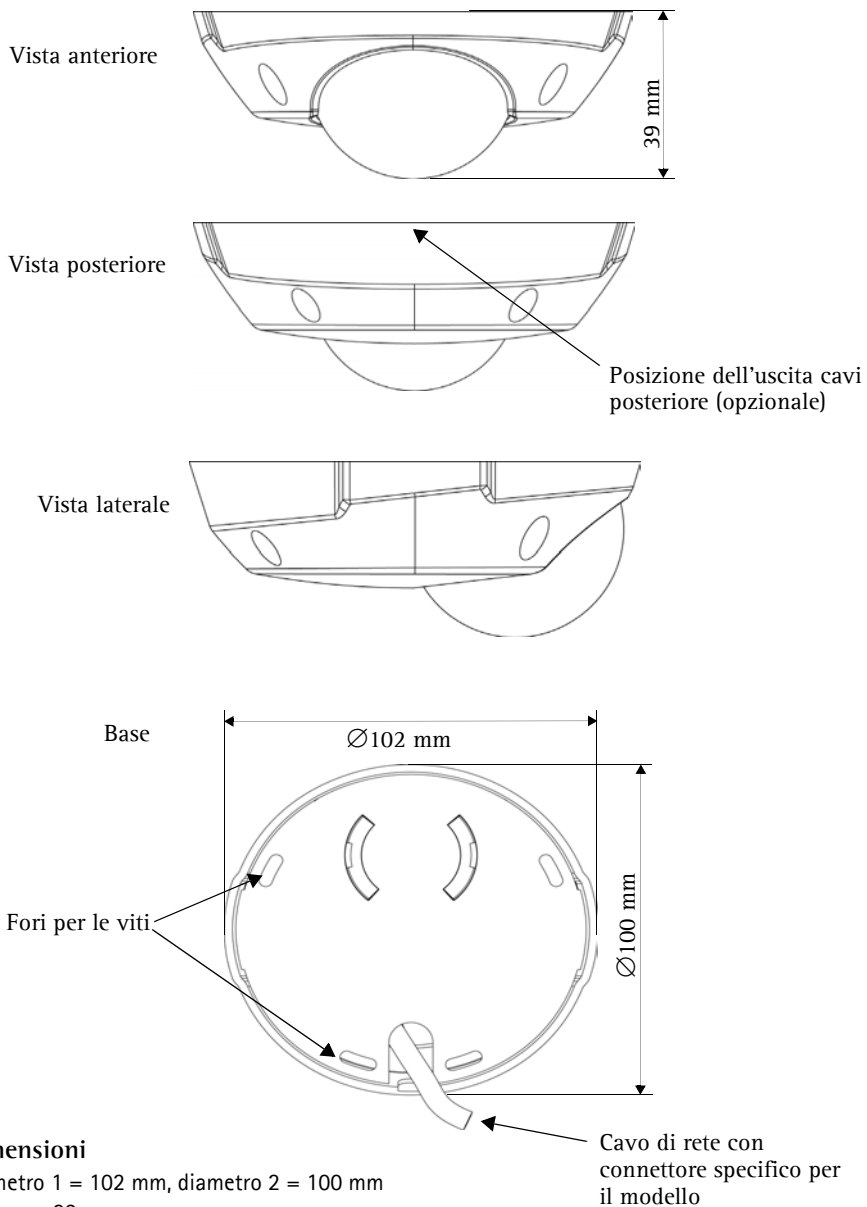
1. Controllare il contenuto della confezione utilizzando l'elenco fornito di seguito.
2. Panoramica dell'hardware. Vedere pagina 46.
3. Installazione dell'hardware. Vedere pagina 47.
4. Assegnazione di un indirizzo IP. Vedere pagina 49.
5. Impostazione della password. Vedere pagina 52.
6. Regolazione dell'obiettivo. Vedere pagina 54.
7. Completamento dell'installazione. Vedere pagina 55.

Importante
Il prodotto deve essere utilizzato in conformità alle leggi e alle disposizioni locali.

1 Contenuto della confezione

Articolo	Modello/varianti/note
Videocamera di rete a cupola fissa	AXIS 209FD, AXIS 209FD-R, AXIS 209FD-R M12 AXIS 209MFD, AXIS 209MFD-R, AXIS 209MFD-R M12, AXIS 209MFD-R M12/ SPLIT, AXIS 209MFD 16MM
Midspan PoE	Midspan tramite alimentazione su rete Ethernet (PoE, Power over Ethernet) a una porta, incluso il cavo di alimentazione (AXIS 209FD/AXIS 209FD-R/AXIS 209MFD/AXIS 209MFD-R) (midspan non incluso nella confezione all'ingrosso)
Kit di montaggio	Chiave a brugola (esadecimale) per viti del coperchio antimanomissione Sacchetto di gel di silice (solo nel dispositivo AXIS 209FD-R/AXIS 209FD-R M12/AXIS 209MFD-R/AXIS 209MFD-R M12)
CD	CD del prodotto, inclusi gli strumenti di installazione e altro software nonché la documentazione del prodotto
Documentazione cartacea	Guida all'installazione di AXIS 209FD/FD-R/FD-R M12/MFD/MFD-R/MFD-R M12 (questo documento) Certificato di garanzia Axis

2 Panoramica dell'hardware



Dimensioni

Diametro 1 = 102 mm, diametro 2 = 100 mm

Altezza = 39 mm

Peso = 180 grammi

3 Installazione dell'hardware

- ! **IMPORTANTE!** La custodia del dispositivo AXIS 209FD/AXIS 209MFD non può essere utilizzata all'aperto e può essere installata solo in ambienti chiusi. Il dispositivo AXIS 209FD-R/AXIS 209FD-R M12/AXIS 209MFD-R/AXIS 209MFD-R M12 è particolarmente robusto e affidabile e può essere utilizzato in ambienti umidi.

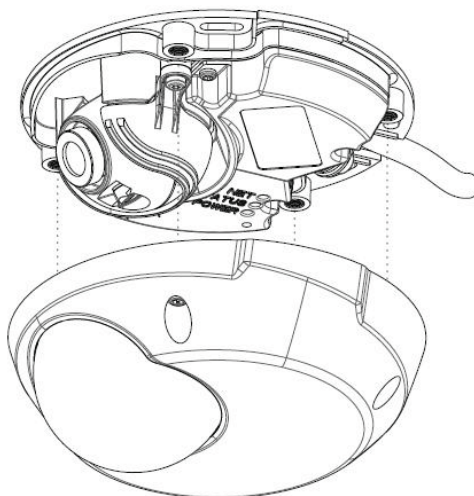
Montaggio della videocamera

Il dispositivo AXIS 209FD/FD-R/FD-R M12/MFD/MFD-R/MFD-R M12 può essere montato facendo passare il cavo attraverso il soffitto o la parete.

Il dispositivo AXIS 209FD/AXIS 209MFD viene fornito con un connettore di rete femmina RJ-45 standard su un cavo di 2 metri.

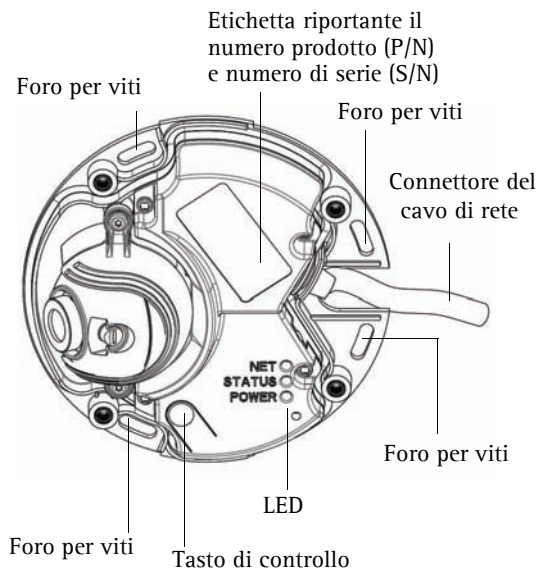
Il dispositivo AXIS 209FD-R/AXIS 209MFD-R viene fornito con un connettore di rete RJ-45 femmina di 29 mm su un cavo di 50 cm. Per proteggere i cavi dall'umidità questo connettore deve essere collegato a un connettore maschio di 29 mm.

Il dispositivo AXIS 209FD-R M12/AXIS 209MFD-R M12 viene fornito con un connettore di rete M12 maschio di 21 mm su un cavo di 50 cm. Per proteggere i cavi dall'umidità questo connettore deve essere collegato a un connettore femmina di 29 mm.



1. Con la chiave a brugola/esadecimale in dotazione rimuovere il coperchio allentando le 4 viti di fissaggio.
2. Utilizzare la piastra base per contrassegnare la posizione delle viti di montaggio.
3. Per far passare il cavo attraverso il soffitto, praticare un foro per il cavo e il connettore. Il foro per il dispositivo AXIS 209FD/AXIS 209MFD deve essere di 17 mm. Il foro per il dispositivo AXIS 209FD-R/AXIS 209MFD-R deve essere di 30 mm. Il foro per il dispositivo AXIS 209FD-R M12/AXIS 209MFD-R M12 deve essere di 22 mm.
 - oppure -Se si installa la telecamera su una superficie, praticare un foro per l'uscita del cavo di rete nella parte posteriore del coperchio.

4. Collegare il cavo di rete. Se l'alimentazione PoE non è supportata dallo switch, collegare l'alimentazione al dispositivo AXIS 209FD/FD-R/FD-R M12/MFD/MFD-R/MFD-R M12 mediante il midspan PoE fornito.
5. Verificare che i LED indichino le condizioni di funzionamento corrette. Per ulteriori dettagli, vedere la tabella a pagina 57.
6. Fissare la base su una superficie piana del soffitto utilizzando viti/tasselli adatti. Verificare che la piastra base copra completamente il foro del cavo in modo che questo non sia visibile una volta posizionata la videocamera.



Prima di ricollocare il coperchio, regolare la posizione dell'obiettivo. Per questa operazione è necessario accedere alle immagini dal vivo catturate dalla videocamera nel browser; procedere pertanto nel modo riportato di seguito.



- a) Assegnare un indirizzo IP. Vedere pagina 49.
- b) Impostare la password. Vedere pagina 52.
- c) Regolare l'obiettivo. Vedere pagina 54.
- d) Completare l'installazione. Vedere pagina 55.

4 Assegnazione di un indirizzo IP

Per renderlo disponibile in rete, è necessario assegnare un indirizzo IP al dispositivo AXIS 209FD/FD-R/FD-R M12/MFD/MFD-R/MFD-R M12.

In base al numero di videocamere che si desidera installare, si consiglia di utilizzare **AXIS IP Utility** o **AXIS Camera Management** per assegnare gli indirizzi IP in ambiente Windows. Utilizzare il metodo più adatto alle proprie esigenze.

Entrambe le applicazioni sono disponibili gratuitamente sul CD del prodotto oppure possono essere scaricate dal sito Web all'indirizzo www.axis.com/techsup.

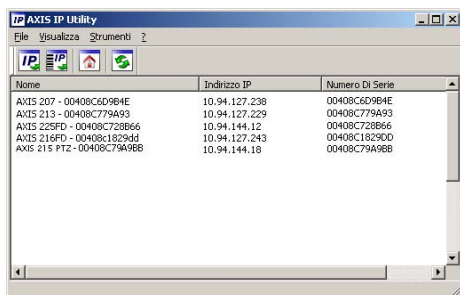
Metodo	Consigliato per...	Sistema operativo
 AXIS IP Utility Vedere pagina 50	Videocamera singola Piccole installazioni	Windows
 AXIS Camera Management Vedere pagina 51	Più videocamere Grandi installazioni Installazione in una subnet differente	Windows 2000 Windows XP Pro Windows 2003 Server

Note

- Se è presente un server DHCP in rete, al dispositivo AXIS 209FD/FD-R/FD-R M12/MFD/MFD-R/MFD-R M12 verrà assegnato automaticamente un indirizzo IP dinamico, ma sarà possibile impostare manualmente un indirizzo alternativo.
- L'indirizzo IP predefinito per il dispositivo AXIS 209FD/FD-R/FD-R M12/MFD/MFD-R/MFD-R M12 è 192.168.0.90
- Se l'indirizzo IP non viene assegnato correttamente, verificare che non siano presenti firewall a bloccare l'operazione.
- Per altri metodi di assegnazione o di rilevazione dell'indirizzo IP, ad esempio in altri sistemi operativi, vedere pagina 56.

AXIS IP Utility: videocamera singola/piccole installazioni

AXIS IP Utility consente di rilevare e visualizzare automaticamente la presenza di dispositivi Axis in rete. L'applicazione inoltre può essere utilizzata per assegnare manualmente un indirizzo IP statico.




Si tenga presente che il dispositivo AXIS 209FD/FD-R/FD-R M12/MFD/MFD-R/MFD-R M12 deve essere installato sullo stesso segmento di rete (subnet fisica) del computer sul quale è in esecuzione AXIS IP Utility.

Rilevamento automatico

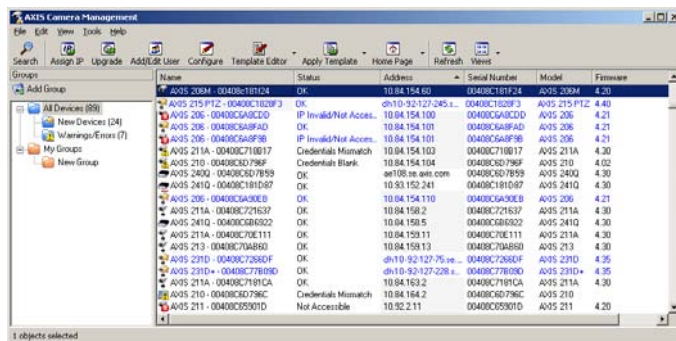
1. Verificare che il dispositivo AXIS 209FD/FD-R/FD-R M12/MFD/MFD-R/MFD-R M12 sia collegato in rete e alimentato correttamente.
2. Avviare AXIS IP Utility.
3. Quando la videocamera verrà visualizzata, fare doppio clic su di essa per aprire la home page.
4. Vedere pagina 52 per istruzioni su come assegnare la password.

Assegnazione manuale dell'indirizzo IP (facoltativo)

1. Acquisire un indirizzo IP non utilizzato sullo stesso segmento di rete del computer.
2. Seleziona AXIS 209FD/FD-R/FD-R M12/MFD/MFD-R/MFD-R M12 dalla lista.
3. Clicca sul pulsante  Assegna un nuovo indirizzo IP all'unità selezionata e scrivi l'indirizzo IP.
4. Fare clic sul pulsante Assegna e seguire le istruzioni visualizzate.
5. Fare clic sul pulsante Home Page per accedere alle pagine Web della videocamera.
6. Vedere pagina 52 per istruzioni su come impostare la password.

AXIS Camera Management: più videocamere/grandi installazioni

AXIS Camera Management è in grado di individuare e impostare automaticamente gli indirizzi IP, mostrare lo stato di connessione e gestire gli aggiornamenti del firmware di più prodotti video Axis.



Rilevamento automatico

1. Verificare che la videocamera sia collegata alla rete e alimentata correttamente.
2. Avviare AXIS Camera Management. Quando verrà visualizzato il dispositivo AXIS 209FD/FD-R/FD-R M12/MFD/MFD-R/MFD-R M12, fare doppio clic su di esso per aprire la home page.
3. Vedere pagina 52 per istruzioni su come impostare la password.

Impostazione dell'indirizzo IP in più dispositivi

AXIS Camera Management facilita il processo di assegnazione degli indirizzi IP a più dispositivi, suggerendo gli indirizzi IP in base a un intervallo specifico.

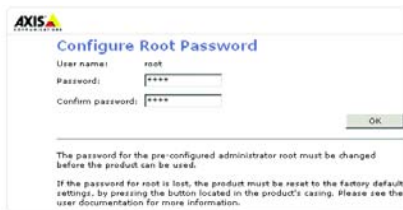
1. Selezionare i dispositivi che si desidera configurare (anche differenti modelli) e fare clic sul pulsante Assign IP.
2. Selezionare Obtain IP addresses automatically (DHCP), fare clic sul pulsante Update; verrà eseguita una ricerca nell'intervallo specificato, quindi verrà suggerito un indirizzo IP per ciascun dispositivo.

- oppure -

Immettere l'intervallo di indirizzi IP, la subnet mask e il router predefinito per i dispositivi e fare clic sul pulsante Update.

5 Impostazione della password

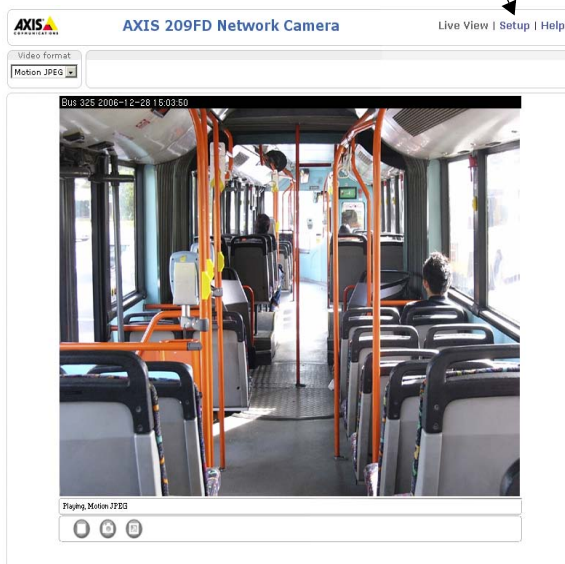
Quando si accede al dispositivo AXIS 209FD/FD-R/FD-R M12/MFD/MFD-R/MFD-R M12 per la prima volta, viene visualizzata la finestra di dialogo "Configure Root Password".



1. Immettere una password, quindi inserirla di nuovo per confermarne l'esattezza. Fare clic su OK.
2. Inserisci il nome utente "root" nella finestra come da richiesto.
Nota: non è possibile eliminare il nome utente predefinito dell'amministratore.
3. Inserire la password impostata in precedenza e fare clic su OK. Se si dimentica la password, sarà necessario ripristinare le impostazioni di fabbrica del dispositivo AXIS 209FD/FD-R/FD-R M12/MFD/MFD-R/MFD-R M12. Vedere pagina 57.
4. Se necessario, fare clic su Yes per installare AMC (Axis Media Control) che consente di visualizzare il flusso video in Microsoft Internet Explorer. A questo scopo è necessario disporre dei privilegi di amministratore.

Viene visualizzata la pagina Line View del dispositivo AXIS 209FD/FD-R/FD-R M12/MFD/MFD-R/MFD-R M12 con i collegamenti agli strumenti di configurazione che consentono di personalizzare la videocamera.

Setup: fornisce tutti gli strumenti per la configurazione della videocamera ai requisiti.



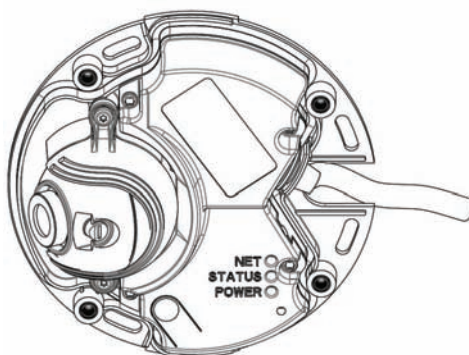
Help: visualizza la Guida in linea relativa alla modalità di utilizzo della videocamera.

6 Regolazione dell'obiettivo

Posizione

Per regolare la posizione dell'obiettivo, attenersi alla seguente procedura.

1. Aprire la pagina Live View nel browser Web.
2. Controllando l'immagine visualizzata nella pagina Live View spostare l'obiettivo nella posizione desiderata.

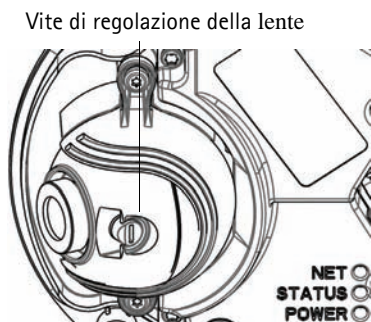


Messa a fuoco

La messa a fuoco del dispositivo AXIS 209FD/FD-R/FD-R M12/MFD/MFD-R/MFD-R M12 viene impostata dal produttore su un valore compreso da 0,5 m a infinito e in genere non è necessario regolarla.

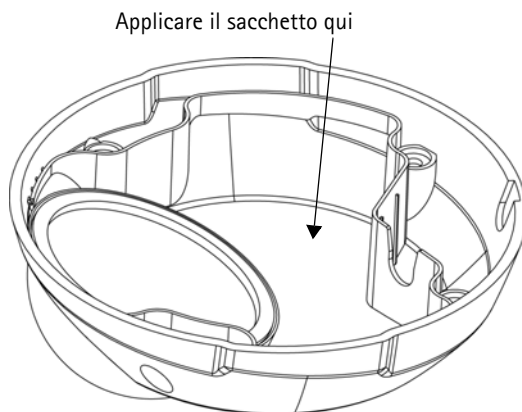
Se necessario correggere il fuoco per obiettivi più ravvicinati (sotto gli 0.5m), possono essere eseguite le seguenti istruzioni per la nuova messa a fuoco:

1. Allentare la vite di fissaggio della messa a fuoco.
2. Aggiustare manualmente la lente finché l'immagine sulla Live View non è soddisfacente.
3. Con accortezza, stringere la vite di fissaggio della messa a fuoco.



7 Completamento dell'installazione

1. Pulire la cupola con un panno morbido e asciutto per rimuovere polvere e impronte digitali; utilizzare un soffietto per rimuovere la polvere dall'obiettivo.
2. Per assorbire l'umidità nel dispositivo AXIS 209FD-R/AXIS 209FD-R M12/AXIS 209MFD-R/AXIS 209MFD-R M12, rimuovere il sacchetto di gel di silice dalla bustina di plastica e inserirlo nel coperchio dietro la cupola.
3. Riposizionare il coperchio e fissare le viti antimanomissione (momento di torsione < 0.4 Nm) utilizzando la chiave a brugola in dotazione. Nel dispositivo AXIS 209FD-R/AXIS 209FD-R M12/AXIS 209MFD-R/AXIS 209MFD-R M12 fare attenzione a non danneggiare la guarnizione.



L'installazione è completata.

Accesso al dispositivo AXIS 209FD/FD-R/FD-R M12/MFD/MFD-R/MFD-R M12 da Internet

Una volta installato, è possibile accedere al dispositivo AXIS 209FD/FD-R/FD-R M12/MFD/MFD-R/MFD-R M12 dalla LAN. Per accedere alla videocamera da Internet, è necessario configurare i router di rete per consentire il traffico dei dati in entrata, operazione che solitamente viene effettuata su una porta specifica. Per ulteriori istruzioni sul router, fare riferimento alla documentazione. Per ulteriori informazioni relative a questo e altri argomenti, visitare il sito Web del supporto tecnico di Axis all'indirizzo www.axis.com/techsup.

Altri metodi di impostazione dell'indirizzo IP

Nella tabella riportata di seguito sono illustrati altri metodi disponibili per impostare o rilevare l'indirizzo IP. Tutti i metodi sono disponibili per impostazione predefinita e possono essere tutti disabilitati.

	Usò nel sistema operativo	Note
UPnP™	Windows	Se abilitata sul computer, la videocamera viene rilevata automaticamente e aggiunta a "Risorse di rete".
Bonjour	MAC OS X (10.4 o versione successiva)	Si applica a browser con supporto Bonjour. Selezionare il segnalibro Bonjour nel browser (ad esempio Safari) e fare clic sul collegamento per accedere alle pagine Web della videocamera.
Servizio AXIS Dynamic DNS	Tutti	Servizio gratuito fornito da Axis che consente di installare la videocamera in modo facile e veloce. È necessaria una connessione a Internet senza proxy HTTP. Per ulteriori informazioni, visitare il sito Web all'indirizzo www.axiscam.net .
ARP/Ping	Tutti	Vedere le informazioni riportate di seguito. È necessario eseguire il comando entro 2 minuti dal collegamento dell'alimentazione alla videocamera.
Server DHCP	Tutti	Per visualizzare le pagine di amministrazione del server DHCP di rete, vedere la documentazione specifica del server.

Impostazione dell'indirizzo IP con ARP/Ping

1. Acquisire un indirizzo IP sullo stesso segmento di rete cui è connesso il computer utilizzato.
2. Individuare il numero di serie indicato sull'etichetta del dispositivo AXIS 209FD/FD-R/FD-R M12/MFD/MFD-R/MFD-R M12.
3. Aprire un prompt dei comandi sul computer e digitare i seguenti comandi:

Sintassi di Windows	Esempio di Windows
arp -s <Indirizzo IP> <Numero di serie> ping -l 408 -t <Indirizzo IP>	arp -s 192.168.0.125 00-40-8c-18-10-00 ping -l 408 -t 192.168.0.125
Sintassi di UNIX/Linux/Mac	Esempio di UNIX/Linux/Mac
arp -s <Indirizzo IP> <Numero di serie> temp ping -s 408 <Indirizzo IP>	arp -s 192.168.0.125 00:40:8c:18:10:00 temp ping -s 408 192.168.0.125

4. Verificare che il cavo di rete sia connesso alla videocamera e quindi avviare/riavviare la videocamera, scollegando e ricollegando l'alimentazione.
5. Chiudere il prompt dei comandi una volta visualizzato il messaggio "Risposta da 192.168.0.125: ..." oppure un messaggio simile.

6. Nel browser immettere `http://<indirizzo IP>` nel campo del percorso/indirizzo e premere Invio.

Note

- Per aprire un prompt dei comandi in Windows: dal menu Start, selezionare Esegui... e digitare `cmd`. Fare clic su OK.
- Per utilizzare il comando ARP su un sistema operativo Mac OS X, servirsi dell'utilità Terminal, in Applicazioni > Utilità.

Indicatori LED

LED	Colore	Indicazione
Rete	Verde	Luce fissa: connessione di rete a 100 Mbit/s. Luce lampeggiante: attività di rete.
	Giallo	Luce fissa: connessione di rete a 10 Mbit/s. Luce lampeggiante: attività di rete.
	Spia spenta	Assenza di connessione di rete.
Stato	Verde	Luce verde fissa: condizioni di normale utilizzo. Nota: è possibile configurare il LED di stato in modo che rimanga spento in condizioni di normale utilizzo oppure in modo da ottenere una luce intermittente quando si effettua l'accesso alla videocamera. Per configurarlo, selezionare Configurazione > Opzioni di sistema > Impostazioni LED . Per ulteriori informazioni, consultare la Guida in linea.
	Giallo	Luce fissa: durante l'avvio o il ripristino delle impostazioni predefinite di fabbrica o della configurazione.
	Rosso	Luce lampeggiante lenta: aggiornamento non riuscito.
Alimentazione	Verde	Normale utilizzo.
	Giallo	Luce lampeggiante verde/gialla: aggiornamento firmware.

Connettori

(AXIS 209FD/AXIS 209MFD) Connettore di rete - Ethernet RJ-45. Supporti Power over Ethernet (PoE). Si consiglia l'uso di cavi schermati.

(AXIS 209FD-R/AXIS 209MFD-R) Connettore di rete - Ethernet RJ-45 robusto. Supporti Power over Ethernet (PoE). Si consiglia l'uso di cavi schermati.

(AXIS 209FD-R M12/AXIS 209MFD-R M12) Connettore di rete - Ethernet M12 robusto. Supporti Power over Ethernet (PoE). Si consiglia l'uso di cavi schermati.

Ripristino delle impostazioni di fabbrica

Questa procedura consentirà di ripristinare le impostazioni di fabbrica per tutti i parametri, incluso l'indirizzo IP.

1. Scollegare il cavo di rete dalla videocamera.
2. Con la chiave a brugola/esadecimale in dotazione rimuovere il coperchio allentando le 4 viti di fissaggio.

3. Tenere premuto il pulsante Control e ricollegare il cavo di rete.
4. Tenere premuto il pulsante fino a quando l'indicatore di Stato emette una luce gialla lampeggiante (l'operazione può richiedere fino a 15 secondi).
5. Rilasciare il pulsante Control. Quando l'indicatore di Stato diventa verde (l'operazione può richiedere fino a 1 minuto) la procedura è completata e sono state ripristinate le impostazioni di fabbrica per la videocamera.

È possibile inoltre ripristinare le impostazioni di fabbrica mediante l'interfaccia Web. Per ulteriori informazioni, consultare la Guida in linea o il Manuale per l'utente.

Ulteriori informazioni

Il Manuale per l'utente è disponibile sul sito Web di Axis all'indirizzo www.axis.com oppure sul CD fornito con il prodotto.

Suggerimento

Visitare il sito Web Axis all'indirizzo www.axis.com/techsup per verificare se sono stati pubblicati aggiornamenti del firmware per il dispositivo AXIS 209FD/FD-R/FD-R M12/MFD/MFD-R/MFD-R M12. Per conoscere la versione installata del firmware, vedere la pagina di configurazione base negli strumenti di configurazione.

Guía de instalación de la AXIS 209FD/FD-R/FD-R M12 AXIS 209MFD/MFD-R/MFD-R M12

Esta guía de instalación incluye las instrucciones necesarias para instalar la Fixed Dome Network Camera AXIS 209FD, AXIS 209FD-R, AXIS 209FD-R M12, AXIS 209MFD, AXIS 209MFD-R y AXIS 209MFD-R M12. Para obtener información sobre cualquier cuestión relacionada con el uso del producto, consulte el Manual del usuario, disponible en el CD que se incluye en este paquete o en la página www.axis.com/techsup.

Pasos de instalación

1. Verifique el contenido del paquete con la lista siguiente.
2. Presentación del hardware. Consulte la página 61.
3. Instale el hardware. Consulte la página 62.
4. Configure una dirección IP. Consulte la página 64.
5. Configure la contraseña. Consulte la página 67.
6. Ajuste la lente. Consulte la página 68.
7. Finalice la instalación. Consulte la página 69.

¡Importante!
 Este producto debe utilizarse de acuerdo con la legislación y la normativa locales.

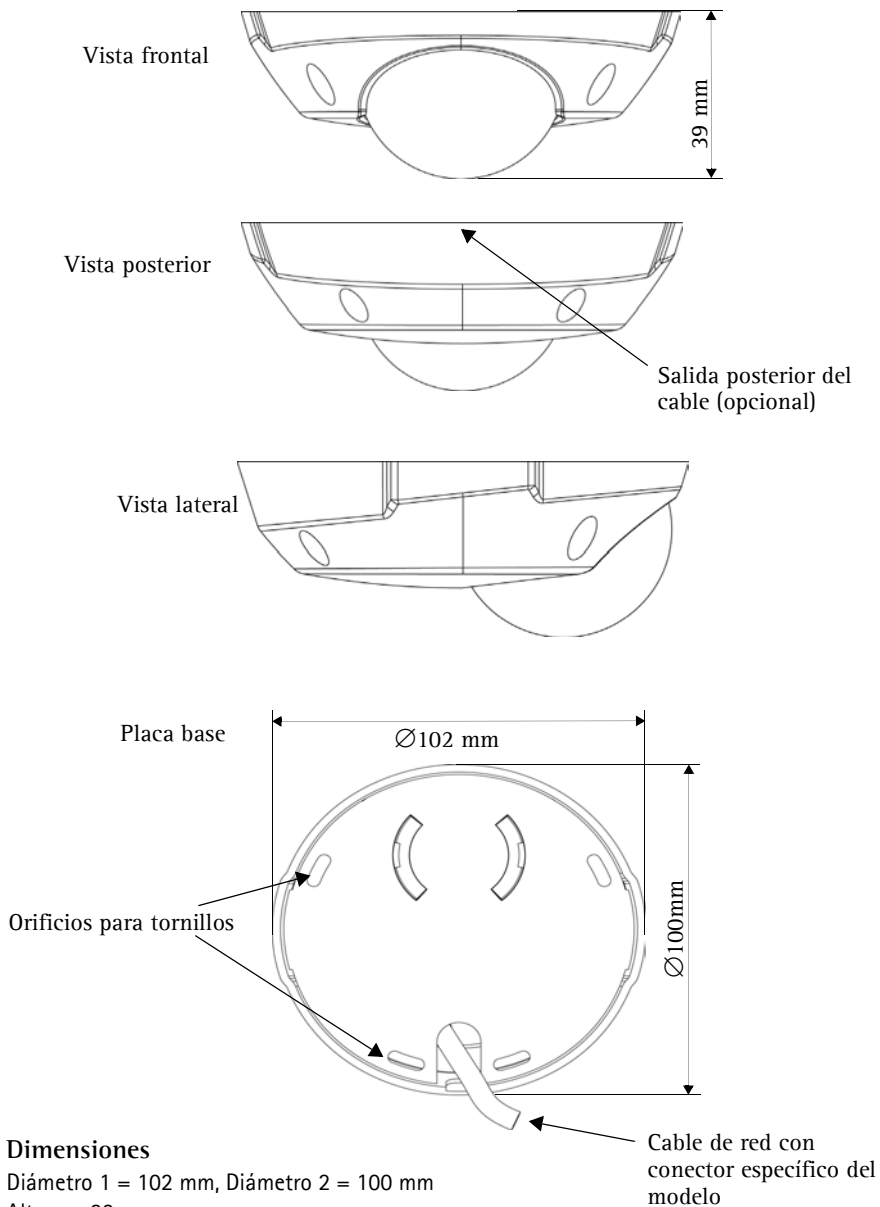
1 Contenido del paquete

Artículo	Modelos/variantes/notas
Cámara de red con burbuja fija	AXIS 209FD AXIS 209FD-R AXIS 209FD-R M12 AXIS 209MFD AXIS 209MFD-R AXIS 209FD-R M12 AXIS 209MFD 16MM AXIS 209MFD-R M12/SPLIT
Toma intermedia PoE	Toma intermedia Power over Ethernet (1 puerto), que incluye cable de alimentación (AXIS 209FD/AXIS 209FD-R/AXIS 209MFD/AXIS 209MFD-R (toma intermedia no incluida en paquete al por mayor)
Kit de montaje	Llave Allen (hexagonal) para tornillos de seguridad de la cubierta Bolsita de sílice gel (sólo AXIS 209FD-R/AXIS 209FD-R M12/AXIS 209MFD-R/AXIS 209MFD-R M12)
CD	CD sobre el producto de video de red de Axis, que incluye herramientas de instalación, software adicional y documentación acerca del producto

ESPAÑOL

Artículo	Modelos/variantes/notas
Material impreso	Guía de instalación de AXIS 209FD/FD-R/FD-R M12/MFD/MFD-R/MFD-R M12 (este documento) Documento de garantía de Axis

2 Presentación del hardware



ESPAÑOL

3 Instalación del hardware

! ¡IMPORTANTE! - La carcasa de la AXIS 209FD/AXIS 209MFD no está aprobada para su uso en exteriores y solo puede instalarse en entornos interiores.

La AXIS 209FD-R/AXIS 209FD-R M12/AXIS 209MFD-R/AXIS 209MFD-R M12 está reforzada y se puede utilizar en entornos de gran humedad ambiental.

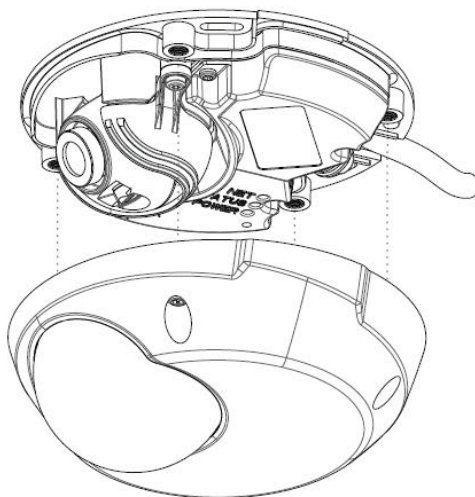
Montaje de la cámara

La AXIS 209FD/FD-R/FD-R M12/MFD/MFD-R/MFD-R M12 se puede montar con la salida de cable hacia el techo o por el lateral.

La AXIS 209FD/AXIS 209MFD incorpora un conector de red estándar RJ-45 hembra con un cable de 2 metros.

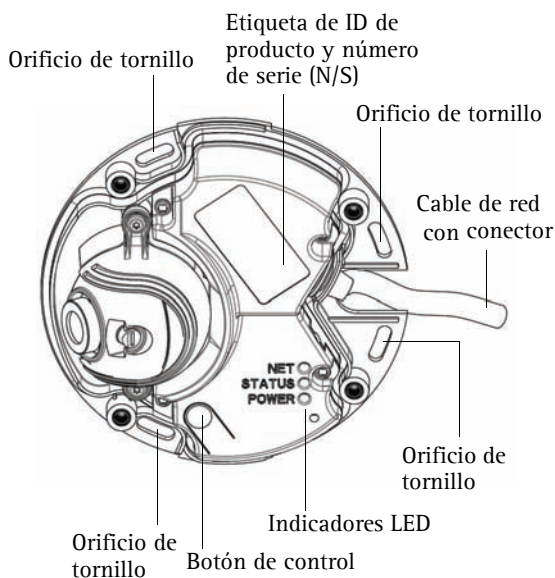
La AXIS 209FD-R/AXIS 209MFD-R incorpora un conector de red estándar RJ-45 hembra de 29 mm con un cable de 0,5 metros. Para proteger el cable contra la humedad, el conector debe enchufarse en un conector macho adecuado de 29 mm.

La AXIS 209FD-R M12/AXIS 209MFD-R M12 incorpora un conector de red estándar M12 macho de 21 mm con un cable de 0,5 metros. Para proteger el cable contra la humedad, el conector debe enchufarse en un conector adecuado hembra de 29 mm.



1. Utilice la llave Allen incluida para aflojar los 4 tornillos que sujetan la cubierta y retirela.
2. Utilice la placa base para marcar las posiciones de los tornillos de montaje.
3. Para encaminar el cable a través del techo, perforo un orificio para el cable y el conector. Para la AXIS 209FD/AXIS 209MFD perforo un agujero de 17 mm. Para la AXIS 209FD-R/AXIS 209MFD-R perforo un agujero de 30 mm. Para la AXIS 209FD-R M12/AXIS 209MFD-R M12 perforo un agujero de 22 mm; o bien; si quiere montar el cable en superficie, perforo el orificio de salida del cable en la parte posterior de la cubierta.

4. Conecte el cable de red. Se l'alimentazione PoE non è supportata dall'interruttore di rete, collegare l'alimentazione al dispositivo AXIS 209FD/FD-R/FD-R M12/MFD/MFD-R/MFD-R M12 mediante il midspan PoE fornito.
5. Compruebe que los LED indican las condiciones adecuadas. Para obtener información más detallada, consulte la tabla de la página 71.
6. Fije la placa base a un techo plano con los tornillos o espárragos adecuados. Compruebe que la placa base cubre completamente el orificio del cable de modo que no sea visible cuando la cámara esté colocada.



Antes de volver a poner la cubierta deberá efectuar un último ajuste de la posición de la lente. Para ello deberá acceder a la imagen en directo de la cámara en su navegador de Web; siga estos pasos:



- a) Asigne una dirección IP; consulte el paso 4 en la página 64.
- b) Configure la contraseña; consulte el paso 5 en la página 67.
- c) Ajuste la lente; consulte el paso 6 en la página 68.
- b) Complete la instalación; consulte el paso 7 en la página 69.

4 Asignación de una dirección IP

Debe asignarse una dirección IP a la AXIS 209FD/FD-R/FD-R M12/MFD/MFD-R/MFD-R M12 para que sea accesible desde la red.

Dependiendo del número de cámaras que desee instalar, el método recomendado de asignación de direcciones IP en Windows será **AXIS IP Utility** o bien **AXIS Camera Management**. Utilice el método que se adapte mejor a sus necesidades.

Ambas aplicaciones son gratuitas y están disponibles en el CD del producto de video en red de Axis suministrado con este producto o pueden descargarse de www.axis.com/techsup.

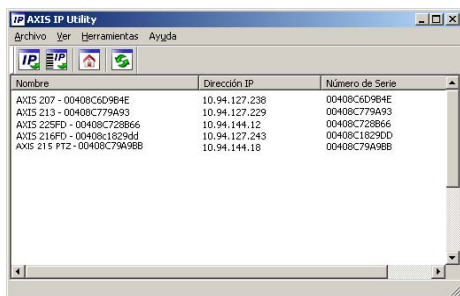
Método	Recomendado para	Sistema operativo
 AXIS IP Utility Consulte la página 65	Cámaras individuales Instalaciones pequeñas	Windows
 AXIS Camera Management Consulte la página 66	Varias cámaras Instalaciones grandes Instalación en una subred diferente	Windows 2000 Windows XP Pro Windows 2003 Server Windows Vista

Notas:

- Si hay un servidor DHCP en su red, la AXIS 209FD/FD-R/FD-R M12/MFD/MFD-R/MFD-R M12 recibirá automáticamente una dirección IP dinámica, pero esto no impedirá que se asigne manualmente una dirección alternativa.
- La AXIS 209FD/FD-R/FD-R M12/MFD/MFD-R/MFD-R M12 tiene la siguiente dirección IP predeterminada: 192.168.0.90.
- Si no puede asignar la dirección IP, compruebe que no haya ningún cortafuegos que bloquee la operación.
- Consulte la página 70 para conocer otros métodos de asignación o de detección de la dirección IP, por ejemplo, en otros sistemas operativos.

AXIS IP Utility: para cámaras individuales o instalaciones pequeñas

AXIS IP Utility encuentra y muestra automáticamente los dispositivos Axis que existen en la red. Además, puede utilizarse para fijar manualmente una dirección IP estática.




Recuerde que el equipo que ejecute AXIS IP Utility debe instalarse en el mismo segmento de red (subred física) que la AXIS 209FD/FD-R/FD-R M12/MFD/MFD-R/MFD-R M12.

Detección automática

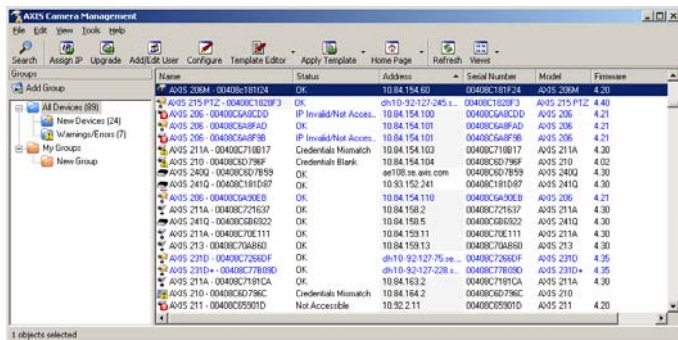
1. Compruebe que la AXIS 209FD/FD-R/FD-R M12/MFD/MFD-R/MFD-R M12 está conectada a la red y que recibe alimentación.
2. Inicie AXIS IP Utility.
3. Cuando la cámara aparezca en la ventana, haga doble clic en ella para abrir la página de inicio.
4. Consulte la página 67 para obtener instrucciones sobre cómo asignar la contraseña.

Asignación manual de la dirección IP (opcional)

1. Obtenga una dirección IP que no esté en uso y que se encuentre en el mismo segmento de red que su PC.
2. Seleccione AXIS 209FD/FD-R/FD-R M12/MFD/MFD-R/MFD-R M12 en la lista.
3. Haga clic en el botón  Asignar nueva dirección IP al dispositivo e introduzca la dirección IP.
4. Haga clic en el botón Asignar y siga las instrucciones.
5. Haga clic en **Página de Inicio** para acceder a las páginas Web de la cámara.
6. Consulte la página 67 para obtener instrucciones sobre cómo configurar la contraseña.

AXIS Camera Management: para varias cámaras e instalaciones grandes

AXIS Camera Management puede buscar y configurar automáticamente direcciones IP, mostrar el estado de la conexión y administrar las actualizaciones del firmware de varios productos de video de Axis.



Detección automática

1. Compruebe que la cámara está conectada a la red y que recibe alimentación.
2. Inicie AXIS Camera Management. Cuando aparezca la AXIS 209FD/FD-R/FD-R M12/MFD/MFD-R/MFD-R M12 en la ventana, haga doble clic para abrir la página de inicio.
3. Consulte la página 67 para obtener instrucciones sobre cómo configurar la contraseña.

Configuración de la dirección IP en varios dispositivos

AXIS Camera Management acelera el proceso de asignación de direcciones IP en varios dispositivos indicando direcciones IP disponibles dentro de un intervalo especificado.

1. Seleccione los dispositivos que desee configurar (se pueden seleccionar varios modelos) y haga clic en el botón **Assign IP** (Asignar IP).
2. Seleccione **Obtain IP addresses automatically** (Obtener direcciones IP automáticamente) (DHCP), haga clic en el botón **Update** (Actualización) y el programa iniciará la búsqueda en el intervalo especificado y sugerirá una dirección IP para cada dispositivo;

o bien

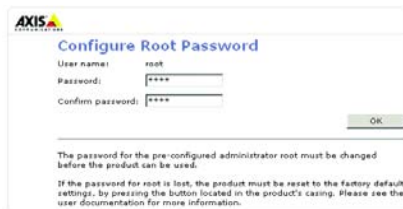
introduzca el intervalo de direcciones IP, la máscara de subred y el encaminador predeterminado que pueden utilizar los dispositivos, y haga clic en el botón **Update**.

5 Configuración de la contraseña

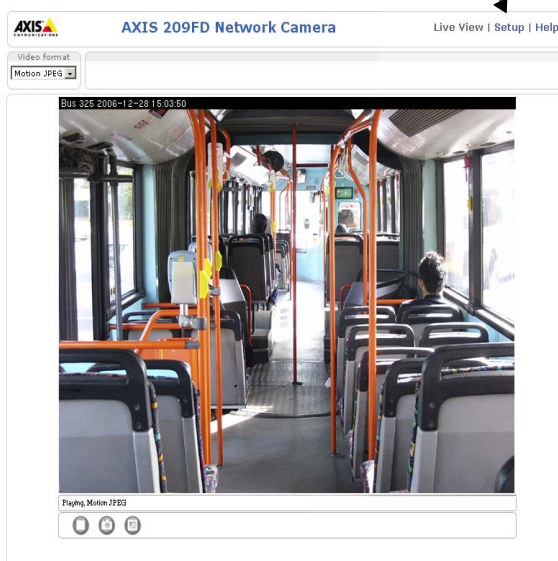
Al acceder a la AXIS 209FD/FD-R/FD-R M12/MFD/MFD-R/MFD-R M12 por primera vez, aparecerá el cuadro de diálogo **Configure Root Password** (Configurar contraseña de root).

1. A continuación, escriba una contraseña y vuelva a escribirla para confirmarla. Haga clic en **Aceptar**.
2. Introduzca el nombre de usuario 'root' en el cuadro de diálogo para acceso presentado. Nota: El nombre de usuario predeterminado para el administrador root no se puede borrar.
3. Escriba la contraseña que introdujo anteriormente y haga clic en **Aceptar**. Si se ha perdido la contraseña deberá restablecer la AXIS 209FD/FD-R/FD-R M12/MFD/MFD-R/MFD-R M12 a los valores iniciales. Consulte la página 72.
4. En caso necesario, haga clic en **Sí** para instalar el AMC (AXIS Media Control) y así permitir la visualización del vídeo continuo en Internet Explorer. Para ello, debe tener derechos de administrador en su ordenador.

La página Live View (En vivo) de la AXIS 209FD/FD-R/FD-R M12/MFD/MFD-R/MFD-R M12 aparece con enlaces a las herramientas de configuración que le permiten personalizar la cámara.



Setup (Configuración): proporciona todas las herramientas para configurar la cámara según sus necesidades.



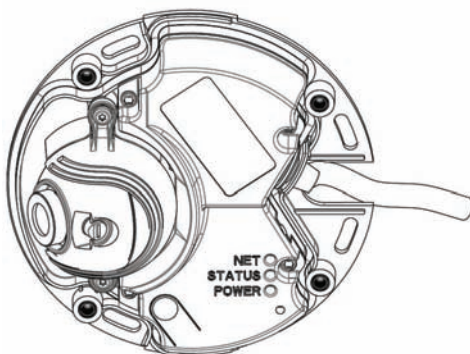
Help (Ayuda): presenta ayuda en línea sobre todos los aspectos del uso de la cámara.

6 Ajustes de la lente

Posición

Para ajustar la posición de la lente, siga estos pasos:

1. Abra la página Live View en su navegador de Web.
2. Mientras comprueba la imagen en la página Live View, mueva la lente a la posición deseada.

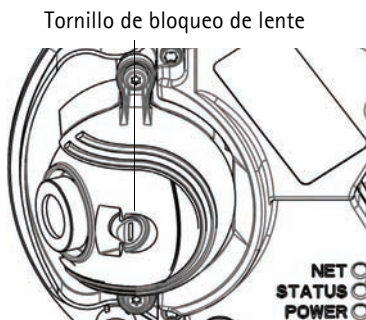


Enfoque

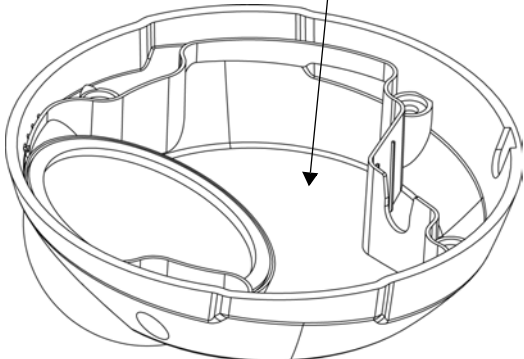
El enfoque de la AXIS 209FD/FD-R/FD-R M12/MFD/MFD-R/MFD-R M12 está fijado en fábrica de 0,5 m al infinito. Normalmente no es necesario ajustarlo.

Para enfocar un objeto mas cercano de 0.5m o por si alguna razón el lente ha perdido foco, este puede ser ajustado de la siguiente manera:

1. Afloje el tornillo de la cerradura del foco
2. Ajuste el lente manualmente hasta que la imagen en la página de visión en vivo sea satisfactoria
3. Vuelva a apretar suavemente el tornillo de la cerradura del foco (par de apriete ≤ 0.1 Nm).



7 Finalización de la instalación

1. Limpie la burbuja con un trapo suave y seco para eliminar el polvo y las huellas dactilares y utilice una pera para quitar el polvo de la lente.
2. Para absorber cualquier posible humedad en la AXIS 209FD-R, saque la bolsita de silica gel (desecante) de la bolsa de plástico y fijela en la parte interior de la cubierta, detrás de la burbuja.
El diagrama muestra una vista superior de la parte interior de la cubierta de la cámara. Se puede ver una estructura metálica con un borde superior y un interior con un espacio hueco. Una línea con una flecha apunta a un punto específico en el interior, etiquetado como 'Fijar la bolsa de desecante aquí'. La estructura parece tener un borde superior con tornillos y un interior con un espacio hueco.
3. Vuelva a colocar la cubierta y apriete suavemente (par de apriete <math>< 0.4 \text{ Nm}</math>) los tornillos de seguridad con la llave Allen incluida. En la AXIS 209FD-R/AXIS 209FD-R M12/AXIS 209MFD-R/AXIS 209MFD-R M12, tenga cuidado de no pellizcar la junta.

La instalación ha finalizado.

Acceso a la AXIS 209FD/FD-R/FD-R M12/MFD/MFD-R/MFD-R M12 desde Internet

Una vez instalada, puede acceder a la AXIS 209FD/FD-R/FD-R M12/MFD/MFD-R/MFD-R M12 desde su red local (LAN). Para acceder a la cámara desde Internet, los encaminadores de red deben estar configurados para permitir el tráfico de datos de entrada, que normalmente se efectúa en un puerto específico. Para obtener más instrucciones, consulte la documentación de su encaminador. Para obtener más información sobre este u otros temas, visite la página de asistencia técnica de Axis en www.axis.com/techsup.

Otros métodos para configurar la dirección IP

Esta tabla presenta todos los métodos disponibles para configurar o detectar la dirección IP. Todos los métodos están habilitados de forma predeterminada y es posible deshabilitarlos.

	Sistema operativo	Notas
UPnP™	Windows	La cámara se detecta y se añade a "Mis sitios de red" automáticamente, siempre que esta opción esté habilitada en el equipo.
Bonjour	MAC OSX (10.4 o posterior)	Aplicable a navegadores compatibles con Bonjour. Navegue hasta el favorito Bonjour de su navegador (p. ej., Safari) y haga clic en el vínculo para acceder a las páginas Web de la cámara.
AXIS Dynamic DNS Service	Todos	Servicio gratuito de Axis que permite instalar la cámara de forma rápida y sencilla. Es necesario disponer de conexión a Internet sin proxy HTTP. Para más información, consulte www.axiscam.net .
ARP/Ping	Todos	Véase más adelante. El comando debe emitirse en los dos minutos posteriores al encendido de la cámara.
Servidor DHCP	Todos	Para visualizar las páginas de administración del servidor DHCP en red, consulte la documentación del servidor.

Configuración de la dirección IP con ARP/Ping

1. Obtenga una dirección IP en el mismo segmento de red en el que está conectado su equipo.
2. Localice el número de serie (N/S) en la etiqueta de la AXIS 209FD/FD-R/FD-R M12/MFD/MFD-R/MFD-R M12.
3. Abra una línea de comandos en su equipo y escriba los comandos siguientes:

Comando de Windows :	Ejemplo de Windows
arp -s <Dirección IP> <Número de serie> ping -l 408 -t <Dirección IP>	arp -s 192.168.0.125 00-40-8c-18-10-00 ping -l 408 -t 192.168.0.125
Comando de UNIX/Linux/Mac	Ejemplo de UNIX/Linux/Mac
arp -s <Dirección IP> <Número de serie> temp ping -s 408 <Dirección IP>	arp -s 192.168.0.125 00:40:8c:18:10:00 temp ping -s 408 192.168.0.125

4. Compruebe que el cable de red está conectado a la cámara y desconecte y vuelva a conectar la corriente para iniciarla o reiniciarla.
5. Cierre la línea de comando cuando vea 'Reply from 192.168.0.125: ...' o similar.
6. En el explorador, escriba <http://<dirección IP>> en el campo Ubicación/Dirección y pulse Intro en el teclado.

Notas:

- Para abrir una línea de comandos en Windows: desde el menú Inicio, seleccione Ejecutar... y escriba cmd. Haga clic en Aceptar.

- Para utilizar el comando ARP en un sistema operativo Mac OS X, utilice la herramienta Terminal, que se encuentra en Aplicaciones > Utilidades.

Indicadores LED

LED	Color	Indicación
Red	Verde	Fijo para indicar conexión a una red de 100 Mbit/s. Parpadeo para indicar actividad de red.
	Ámbar	Fijo para indicar conexión a una red de 10 Mbit/s. Parpadeo para indicar actividad de red.
	Apagado	Sin conexión de red.
Estado	Verde	Fijo para indicar funcionamiento normal. Nota: puede configurarse el LED de estado para que esté apagado durante el funcionamiento normal o para que parpadee únicamente cuando se accede a la cámara. Para ello, vaya a Setup (Configuración) > System Options (Opciones del sistema) > LED settings (Configuración de LED) . Para obtener más información, consulte los archivos de la ayuda en línea.
	Ámbar	Fijo durante el inicio o durante el restablecimiento de los valores iniciales o de valores de configuración.
	Rojo	Parpadeo lento si no se puede realizar una actualización.
Alimentación	Verde	Funcionamiento normal.
	Ámbar	Parpadeo verde/ámbar durante la actualización del firmware.

Conectores

(AXIS 209FD/AXIS 209MFD) Conector de red - Conector Ethernet RJ-45. Ayudas Power over Ethernet (PoE). Se recomienda emplear cables blindados.

(AXIS 209FD-R/AXIS 209MFD-R) Conector de red - Conector Ethernet RJ-45 reforzada. Ayudas Power over Ethernet (PoE). Se recomienda emplear cables blindados.

(AXIS 209FD-R M12/AXIS 209MFD-R M12) Conector de red - Conector Ethernet M12 reforzada. Ayudas Power over Ethernet (PoE). Se recomienda emplear cables blindados.

Restablecimiento de los valores iniciales

Esta operación reconfigurará todos los parámetros, incluida la dirección IP, a los valores iniciales:

1. Desconecte el cable de red de la cámara.
2. Utilice la llave allen incluida para aflojar los 4 tornillos que sujetan la cubierta y retírela.
3. Presione el botón de control y vuelva a conectar el cable de red.
4. Mantenga presionado el botón de control hasta que el indicador de estado brille con luz ámbar (puede tardar hasta 15 segundos en encenderse).
5. Suelte el botón de control. Cuando el indicador de estado brille con luz verde (lo que puede tardar hasta 1 minuto), ha finalizado el proceso y se han restablecido los valores iniciales de la cámara.

También es posible restablecer los valores predeterminados de la cámara mediante la interfaz Web. Si desea más información, consulte la ayuda en línea o el manual del usuario.

Más información

Puede acceder al Manual del usuario en la página Web de Axis www.axis.com, o bien a través del CD sobre el producto de vídeo de red de Axis incluido con este producto.

Sugerencia:

entre en www.axis.com/techsup para comprobar si hay firmware actualizado disponible para la AXIS 209FD/FD-R/FD-R M12/MFD/MFD-R/MFD-R M12. Para ver la versión de firmware que se encuentra instalada en ese momento, consulte la página Web Basic Configuration (Configuración básica) en las herramientas de configuración del producto.

AXIS 209FD/FD-R/FD-R M12/MFD/MFD-R/MFD-R M12
Installation Guide v3.2

December 2008

Copyright © Axis Communications AB, 2007 - 2008

Part No. 34066

Free Manuals Download Website

<http://myh66.com>

<http://usermanuals.us>

<http://www.somanuals.com>

<http://www.4manuals.cc>

<http://www.manual-lib.com>

<http://www.404manual.com>

<http://www.luxmanual.com>

<http://aubethermostatmanual.com>

Golf course search by state

<http://golfingnear.com>

Email search by domain

<http://emailbydomain.com>

Auto manuals search

<http://auto.somanuals.com>

TV manuals search

<http://tv.somanuals.com>