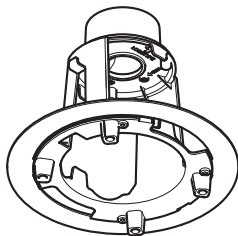
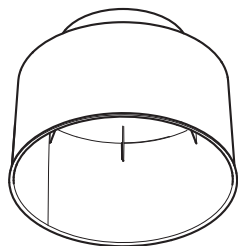
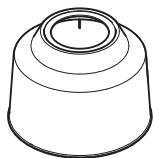


# INSTALLATION GUIDE

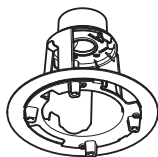
## AXIS T94F02D Pendant Kit







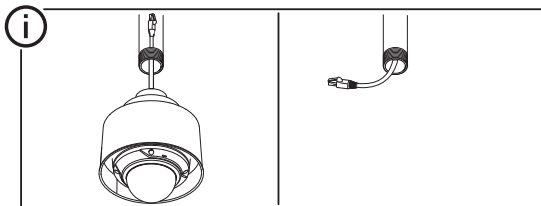
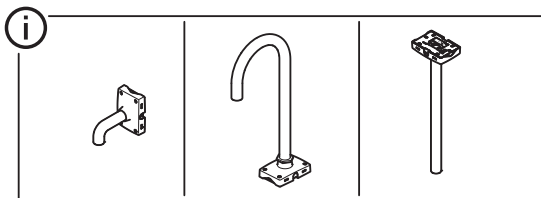
**1x**



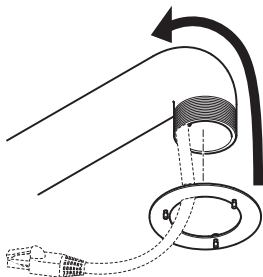
**1x**



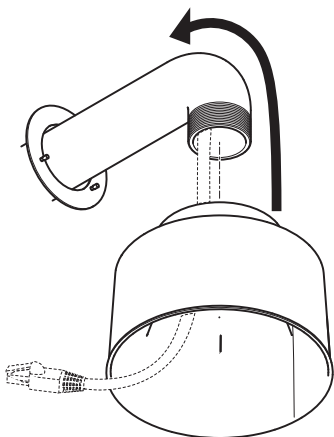
**1x**



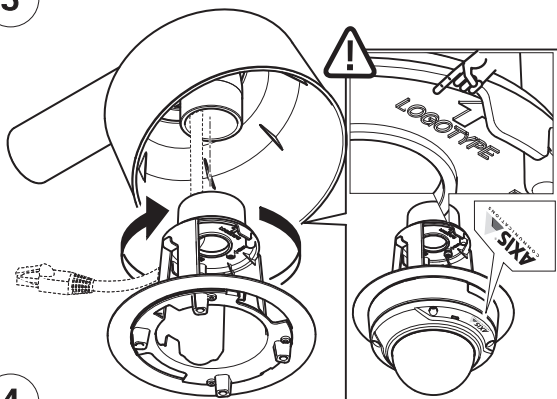
1



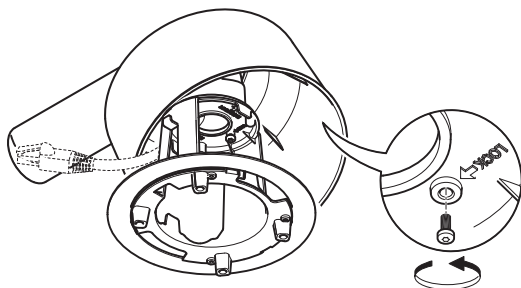
2



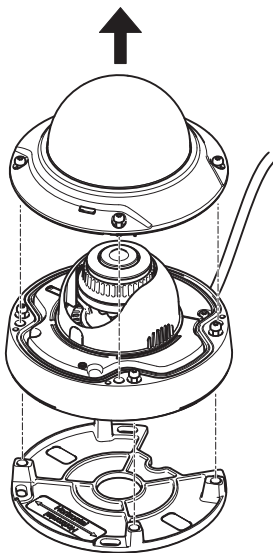
3

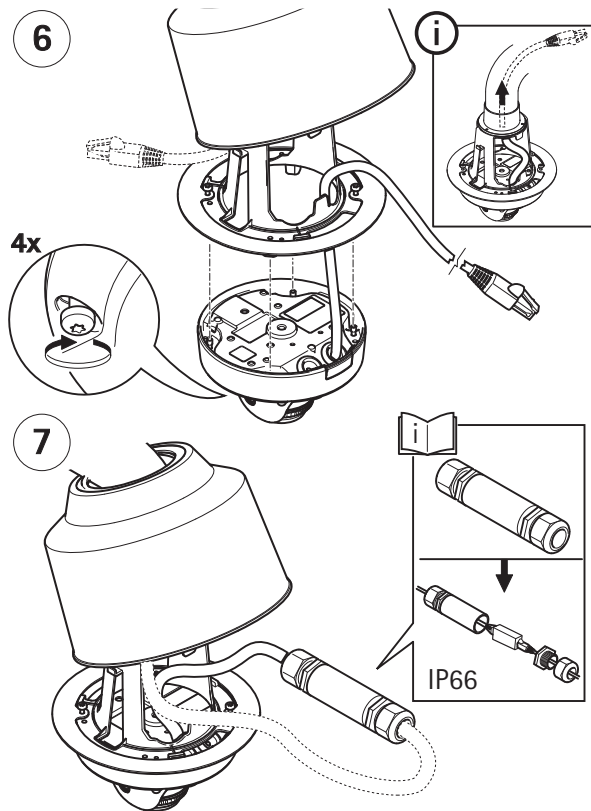


4

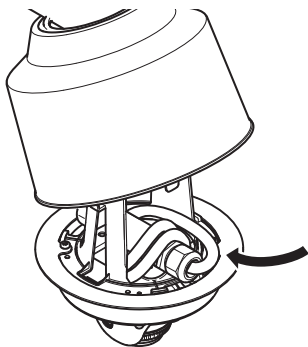


5

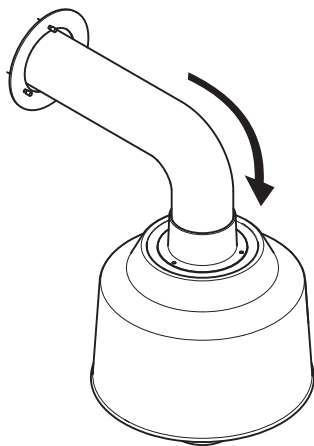




8

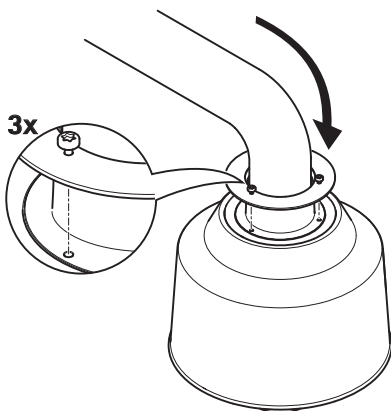


9

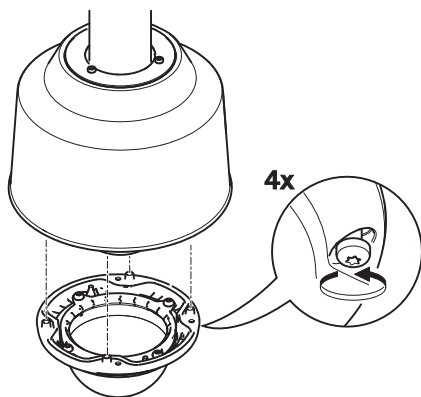




10



11







Installation Guide

Ver.2.0

AXIS T94F02D Pendant Kit

Printed: October 2014

© Axis Communications AB, 2014

Part No. 59915

## Free Manuals Download Website

<http://myh66.com>

<http://usermanuals.us>

<http://www.somanuals.com>

<http://www.4manuals.cc>

<http://www.manual-lib.com>

<http://www.404manual.com>

<http://www.luxmanual.com>

<http://aubethermostatmanual.com>

Golf course search by state

<http://golfingnear.com>

Email search by domain

<http://emailbydomain.com>

Auto manuals search

<http://auto.somanuals.com>

TV manuals search

<http://tv.somanuals.com>