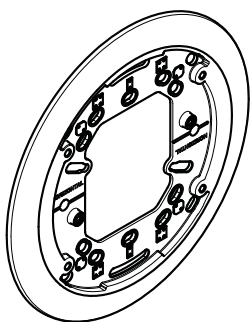
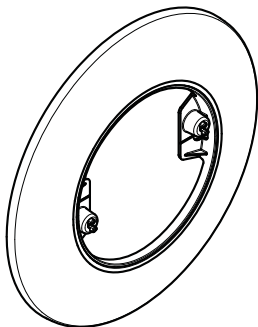


# INSTALLATION GUIDE

## AXIS T94B01M J-Box/Gang Box Plate



1x



1x

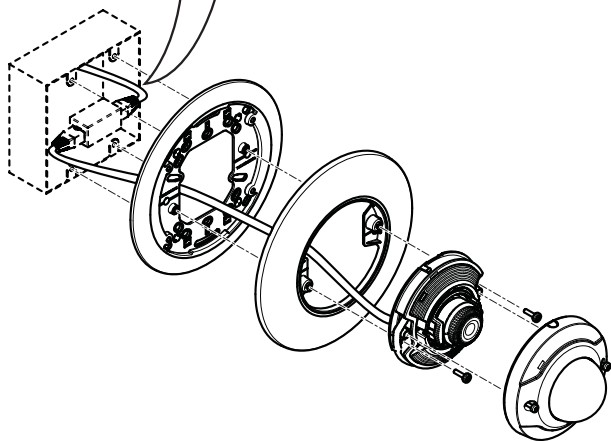
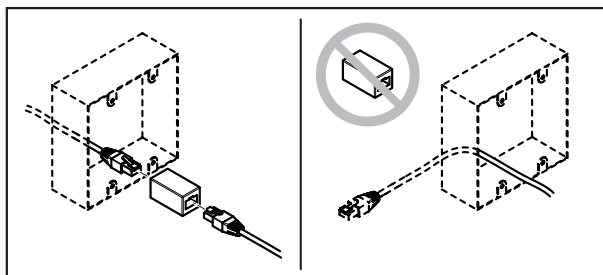


1x



2x

**AXIS**  
COMMUNICATIONS



Installation Guide

AXIS T94B01M J-Box/Gang Box Plate

© Axis Communications AB, 2013

Ver.1.0

Printed: March 2013

Part No. 50556

## Free Manuals Download Website

<http://myh66.com>

<http://usermanuals.us>

<http://www.somanuals.com>

<http://www.4manuals.cc>

<http://www.manual-lib.com>

<http://www.404manual.com>

<http://www.luxmanual.com>

<http://aubethermostatmanual.com>

Golf course search by state

<http://golfingnear.com>

Email search by domain

<http://emailbydomain.com>

Auto manuals search

<http://auto.somanuals.com>

TV manuals search

<http://tv.somanuals.com>