

Winthrop™ TRV and HH Gas Fireplaces

AVALON
Firestyles for Life



A Tale of Two Fireplaces

Avalon offers you two incredible gas fireplaces to heat your home and express your firestyle. You pick the inside of the fireplace based on your heating needs. You pick the face, liner, and options to show off your taste in fire.



Winthrop TRV

The Winthrop TRV top or rear vent is perfect for warmer climates, smaller spaces, or a beautiful, decorative fire all year long. It features a wide BTU turn down range for more heat flexibility and flame viewing options. A wide range of face styles and options are available to create the perfect fire for you.



Winthrop HH

The Winthrop HH Home Heater offers more heat for colder climates and heats larger spaces - up to 2,250 sq. ft. It can send heat directly to two additional heat zones within your home. It includes the award-winning Ember-Fyre burner and gives you a gentle consistent heat without overheating. The same great options available for the TRV are yours for the HH.

WINTHROP TRV	WINTHROP HH
5,200 - 31,000 BTUS LP 6,700 - 31,000 BTUS NG	23,000 - 40,000 BTUs (NG) 23,000 - 39,000 BTUs (LP)
Heating Capacity - 1,400 square feet	Heating Capacity - Up to 2,250 square feet
Tempered glass with screen	5mm silica coated ceramic glass
Optional thermostatically controlled variable speed 180 CFM convection fan.	Standard thermostatically controlled variable speed 180 CFM convection fan.
Choice of optional firebacks	Requires choice of firebacks
4 piece ceramic log set	9 Piece ceramic log set cast from real wood
2 stage valve with pan burner with independent controls	New Ember-Fyre burner with High Definition ember bed
Add optional power heat duct to one room	Add optional power heat duct to two rooms

Winthrop™ Gas Fireplaces

AVALON
Firestyles for Life



The Winthrop TRV is shown with the Victorian Lace Black Nickel Upgrade Face and Herringbone Fireback

Download from [Www.Somanuals.com](http://www.Somanuals.com). All Manuals Search And Download.

Winthrop™ Gas Fireplaces

AVALON
Firestyles for Life



The Winthrop TRV is shown with the Bungalow Upgrade Face , River Rock Fireback and Wrought Iron Andiron options.

Download from [Www.Somanuals.com](http://www.Somanuals.com). All Manuals Search And Download.

Winthrop™ Gas Fireplaces

AVALON
Firestyles for Life



The Winthrop HH is shown with Victorian Lace Black Nickel Upgrade Face and Herringbone Fireback

Winthrop™ Gas Fireplaces


AVALON
Firestyles for Life



This Winthrop HH fireplace is shown with the Black Victorian Lace Face and Herringbone Brick Fireback.



Winthrop Fireplace Face Options

Pictured on the right is the same fireplace as above featuring different faces and firebacks. At any time you have the option of changing the look of the Winthrop HH fireplace. You have the choice of Standard Black Grills, Victorian Lace Black Painted Face, Victorian Lace Black Nickel Face with brushed nickel grills and accents or the Bungalow Face with your choice of basket weave or mesh screen grill insets.



*Winthrop with Victorian Lace
Black Painted Face*



*Winthrop with Bungalow Face
and basket weave grill insets*



*Winthrop with Victorian Lace Black
Nickel Plated Face*

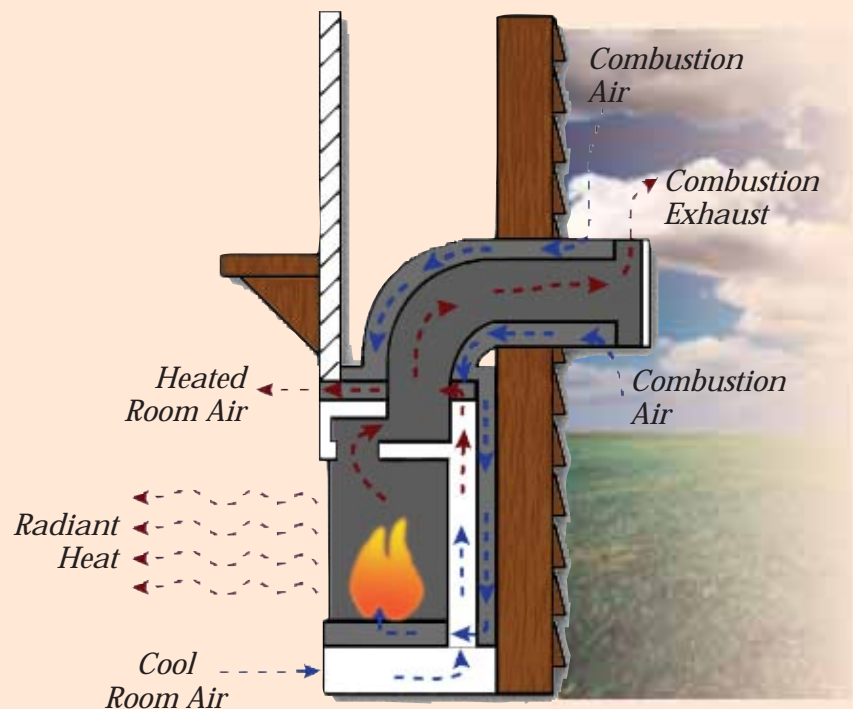


*Winthrop with Bungalow Face
and screen grill insets*

How Direct Venting Works

Direct vent fireplaces bring in oxygen from the outside of the home into the fireplace for combustion, or to fuel the fire, through a pipe that goes out through the roof of your home or out through a wall. Soot particles and combustion gases, like carbon dioxide, are sent directly outside your home.

A direct vent fireplace has a completely sealed front glass panel to prevent any of the soot or gases from entering your home. This protects your indoor air quality and your health, and you don't need a standard chimney system with direct venting.



The Drawbacks of Unvented Gas Fireplaces

Unvented, vent-free or ventless fireplaces don't use a chimney, flue or vent. They allow hazardous particles and gases to circulate into your house - making your home and your lungs the chimney! These pollutants are a serious health concern. They can also allow the build up of water vapors that can actually degrade the structure of your home.

That's Why Avalon Builds Only Direct Vent Gas Fireplaces

The American Lung Association discourages the use of ventless fireplaces for health and environmental reasons. They recommend homeowners choose only sealed, direct vent gas fireplaces to preserve indoor and outdoor air quality and to prevent by-products such as carbon monoxide, soot and nitrogen dioxide from entering your home. Sealed gas fireplaces also prevent excess moisture from building up in your house. All Avalon direct vent gas fireplaces are sealed and meet the guidelines of the American Lung Associations Health House program.



The Winthrop TRV is shown with the Victorian Lace Black Nickel Upgrade Face

Realistic Fire Design

We've perfected the art of making gas fire look as much like a real wood fire as possible. From the performance and color of the flames to the logs hand carved with intricate detail, you'll be amazed at the beauty and realism of the Winthrop TRV fire. The Winthrop features 864 square inches of viewing glass with a removable safety screen. The screen protects against burns the glass is touched and prevents glare on the glass for a better fire view.

Superior Venting Technology

The option of venting from the top or the rear of the fireplace means you can install the Winthrop virtually anywhere inside or outside of your home. Our direct vent technology is a completely safe and closed system that preserves the air quality in your home and protects your health. Unlike some other fireplaces, the Winthrop's direct vent system is designed to bring outside air into your fireplace for combustion and does not take away the heated air inside your home.

Heating Versatility & Efficiency

The Winthrop is ideal for year-round fire enjoyment since it's versatile enough to be a highly efficient heater or a low-heat decorative display of flames. You can add an optional high-volume, low-noise convection fan to increase the heat output even more on the coldest days of the year. By adding the optional Extra Room Power Heat Duct, you can directly send heat an additional zone within your home! Our standing pilot system generates enough electricity to ensure the Winthrop will operate even if the power goes out. Rest assured you will be able to heat your home even in the worst of storms.



High



Medium



Low

Ultimate Flame Adjustability

You can have virtually unlimited flame variation with our Comfort Control™ valve and the Flame Height Adjuster Knob. Use all 31,000 Btu's of flame on the coldest winter nights or with the touch of a button turn it down to only 6,700 (NG) or 5,200 (LP) for a romantic firelight on a warmer night. (Figure 1) Enjoy a full flame fire with maximum height. (Figure 2) Use the Flame Height Adjuster Knob to turn the flames lower when you want less heat. (Figure 3) Use the Comfort Control valve to turn off the rear burner completely for a darker, more romantic fire.

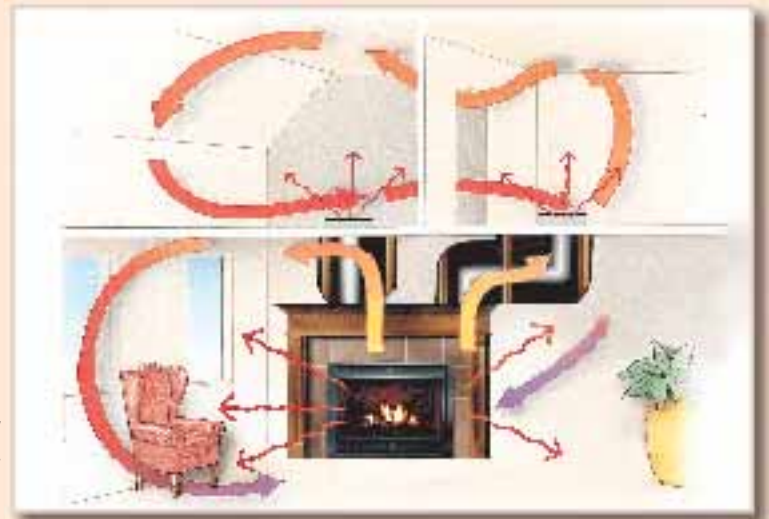
Maximum Btu's Per Hour 31,000	Turn down rate to 6,700 Btus (NG) 5,200 Btu's (LP)	Overall Efficiency 77.2% (NG) 78.4% (LP)	Heating Capacity up to 1,400 Sq. Ft.	AFUE 68.3% (NG) 69.4% (LP)	Variety of Face and Fireback Combinations	Optional Convection Fan 180 CFM	Standing Pilot Heats even when the power is out
----------------------------------	--	--	--	----------------------------------	---	---------------------------------	---

Gas appliance performance can be affected by negative pressure in a home and by prevailing atmospheric conditions. Contact local building or fire officials about restrictions and installation requirements in your area. Heating capacity may vary depending on the degree of home insulation, floor plan and the ambient temperature zone of the area in which you live.

Heating Efficiency

You get higher efficiency and higher BTUs in the same size firebox with the Winthrop Home Heater. You still get the huge view of the fire, but more heat for larger rooms and living spaces. Use one or two of the optional Power Heat Duct Kits to send heat to two additional heat zones within your home.

Illustration shows natural convection and Power Heat Duct Kits



Installation Flexibility

You can install the Winthrop Home Heater in virtually any rooms in your home thanks to the option of venting from the top or rear of the firebox. The safe, sealed system of our direct vent technology preserves your health and your home's air quality.

Award Winning Flames

The Winthrop Home Heater also includes a new style of our patented, award-winning Ember-Fyre burner technology. This upgraded burner has been improved by an enhanced aesthetic with crisper coal bed details and hand-painted logs cast from real wood. It also features a more consistent flame performance for the ultimate in fire realism.



Durability

Avalon uses a heavier gauge steel firebox in the construction of the Winthrop Home Heater. In addition, the Winthrop HH features 5 mm silica coated ceramic glass, which prevents sulfur oxidation on the glass to help it stay cleaner longer and make it easier to clean. Ceramic glass is also the safest, most durable and shock absorbent fireplace glass you can buy.

Home Comfort

The gentle, consistent heat of the Winthrop Home Heater lets you enjoy the fire in your fireplace for longer periods of time without over heating the room. So you can enjoy more visiting with friends, more play time with the family or more romance in front of a beautiful, glowing fire.

Maximum Btu's Per Hour 40,000 (NG) 39,000 (LP)	Turn down rate to 23,000 Btu's Per Hour (NG and LP)	Overall Efficiency 81% (NG) 82% (LP)	Heating Capacity up to 2,250 Sq. Ft.	AFUE 71% (NG) 72% (LP)	Variety of Face and Fireback Combinations	Standard Convection Fan 180 CFM	Standing Pilot Heats even when the power is out
--	---	--	--------------------------------------	------------------------------	---	---------------------------------	---

Gas appliance performance can be affected by negative pressure in a home and by prevailing atmospheric conditions. Contact local building or fire officials about restrictions and installation requirements in your area. Heating capacity may vary depending on the degree of home insulation, floor plan and the ambient temperature zone of the area in which you live.

IS IT A WOOD OR GAS FIRE?

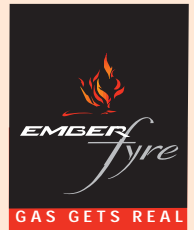
Patented Ember-Fyre™ Burner Featured on the Winthrop HH

U. S. Patented # 6,602,068, 6,443,726 and other patents pending

The Avalon Winthrop HH features the patented Ember-Fyre™ burner system. Popular Science® magazine awarded the prestigious “BEST OF WHAT’S NEW” award to the Ember-Fyre as one of the year’s top achievements in Science and Technology. This combustion system delivers an efficiency of up to 81% (NG). The level of realism is so remarkable it is difficult to tell apart from our wood burning appliances. Unlike other gas burners, the pilot is hidden. There are no unsightly burner tubes or metal pans and the fire and glowing embers are just as beautiful on the low flame setting as they are on high.

HOW IT WORKS:

1. Natural gas or propane is piped to a sophisticated SIT™ gas valve and started with the reliable Pizeo ignition to provide reliable, continuous operation even if the power goes out in your home.
2. The low-pressure gas then flows to a precisely engineered burner orifice.
3. A hidden mixing tube mixes the gas with outside air. (The standard mix is set by the installer to compensate for variations in altitude, fuel type, and line pressure).
4. The gas/air mixture flows through a unique array of burner ports in the ceramic base, where it ignites and burns.
5. As the Ember-Fyre heats to a deep red 1200°F, it mimics the look of glowing wood embers and charred logs. Dancing yellow flames further enhance the look and feel of a real wood fire.
6. For hands-free operation the optional remote control or wall thermostat allows you to set and maintain the comfort level of your home.



**Popular
Science**



Herringbone Brick Fireback



River Rock Fireback

Decorative Ceramic Firebacks

In addition to adding a gorgeous face to the outside of your Winthrop fireplace, you can also decorate the inside with our patterned firebacks. Beautiful, hand-painted designs in realistic Herringbone Brick and River Rock give your fireplace that built-in masonry look and accentuate the style of the room.



Arabesque



Colonial



Wrought Iron

Cast Iron Andirons

Stylize the interior of your fireplace with one of these beautifully designed andirons. They add another touch of wood-fire realism to your fireplace and look stylish even when the fire is off.

Convection Fan



Heat your home even faster with our optional internal 180 CFM Convection Fan. It forces heat into the room and throughout your home to spread heat quickly and evenly and enhance the fireplace's natural convection. It also turns on and off automatically to maintain the set temperature of the room when used with the optional remote or wall thermostat. The convection fan is standard on the 864 HH.

Accent Light

Add a warm glow even when the fire is turned off! The accent light adds a glowing backlight behind the flames when the fire is on, and enhances the pattern of the fireback when it's off. It's perfect as a nightlight or soft indirect light for the room any time.



Manufactured Tile & Mantels

You can choose a beautiful new hearth system and often have it installed in as little as an afternoon! Companies such as Hearth Classics™, Grand Mantel™, and J.C. Huffman™ offer one-stop solutions. Choose your favorite Avalon gas fireplace, tile or stone hearth products and custom wood mantel; they are all designed to work in perfect harmony. No need to search for craftsmen or finish carpenters. Ask your Avalon dealer for more details.

www.jchuffman.com

www.hearthclassics.com

www.grandmantel.com

Remote Control

Program the heat just the way you want it. Set the temperature as well as the shut-off time automatically. Also features a 6 hour safety shut-off. Can be used independently from the optional Convection Fan.





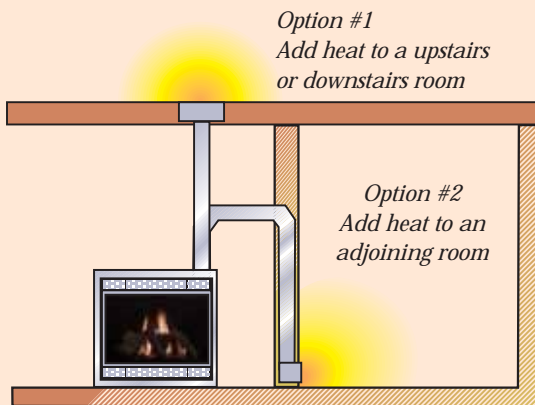
Convenient Wall Switch Included

What could be more convenient than flipping a switch to turn on your fireplace just like you do your lights? Our standard wall switch puts that control right at your fingertips - no bending or stooping! Use the optional remote control to further set your flame preference with ease.



Wall Thermostat

The wall thermostat can be wired up to 25 feet from the fireplace and allows you to set and maintain the temperature you desire for the room.



Extra Room Power Heat Duct Kit

Send heat directly to additional rooms in your home with the Extra Room Power Heat Duct! This optional venting configuration delivers heat to an additional room so you heat more of your home. Vent to any room upstairs, downstairs or anywhere in your home within 20 feet of the fireplace. The 864 TRV can use one Power Heat Duct, while the 864 HH can utilize two Power Heat Ducts.

From basic to ornate, you can customize your Winthrop fireplace to fit the design perfect for your home.

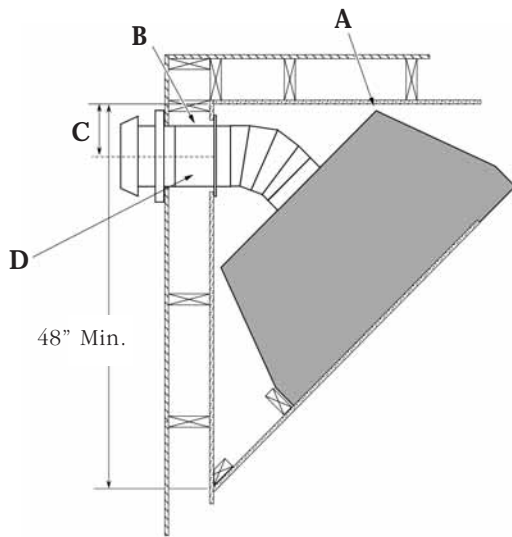
Check off the options you want for your Winthrop fireplace and bring it with you when you visit your Authorized Avalon Retailer.

Choose Your Winthrop Fireplace and Options Worksheet	Part #	Price
Winthrop TRV Body	98500170	
Winthrop HH Body	98500180	
Basic Black Grill Set	91002160	
Accent Light	94400100	
Herringbone Brick Fireback*	98500663	
River Rock Fireback*	98500664	
Bungalow Face	99300487	
Black Painted Victorian Lace Face	99300485	
Black Nickel Victorian Lace Face	99300486	
Wrought Iron Andirons	98500632	
Colonial Andirons	98500631	
Arabesque Andirons	98500633	
Remote Control	99300677	
Wall Thermostat	99300650	
Convection Fan 180 CFM (Standard on HH)	99000156	
Extra Room Power Heat Duct Kit	98500769	
Rear Vent Kit	98900168	
	Total	

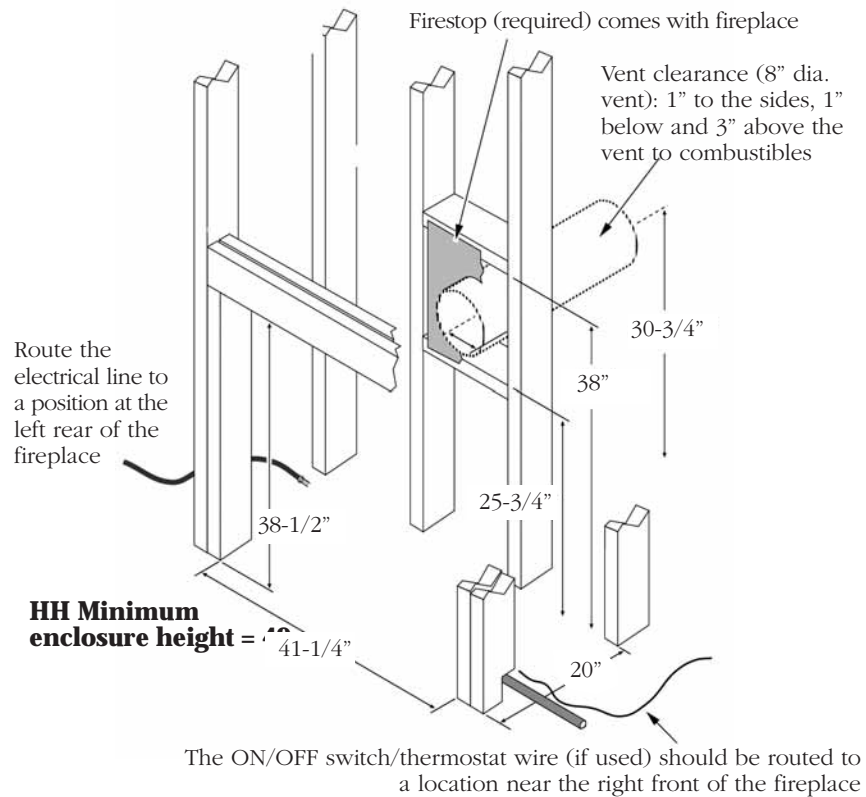
* A Fireback is required on Winthrop HH fireplace.

Minimum Framing Dimensions - Rear Vent

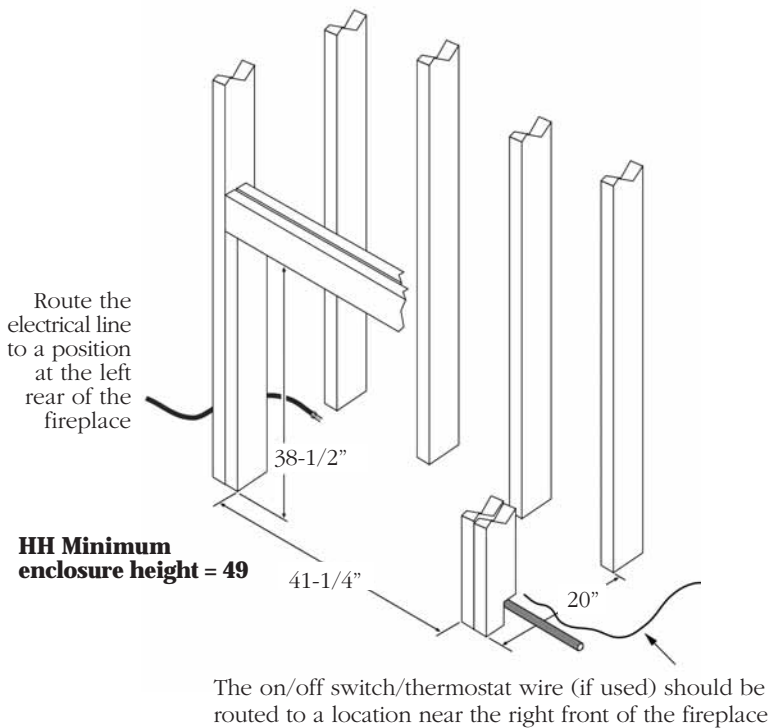
- A - Minimum 1/2" clearance
- B - Minimum 1" clearance
- C - 7-1/2" approximate, varies due to vent installation
- D - Most installations use:
 - 6" vent section for 2 x 6 walls
 - 4" vent section for 2 x 4 walls



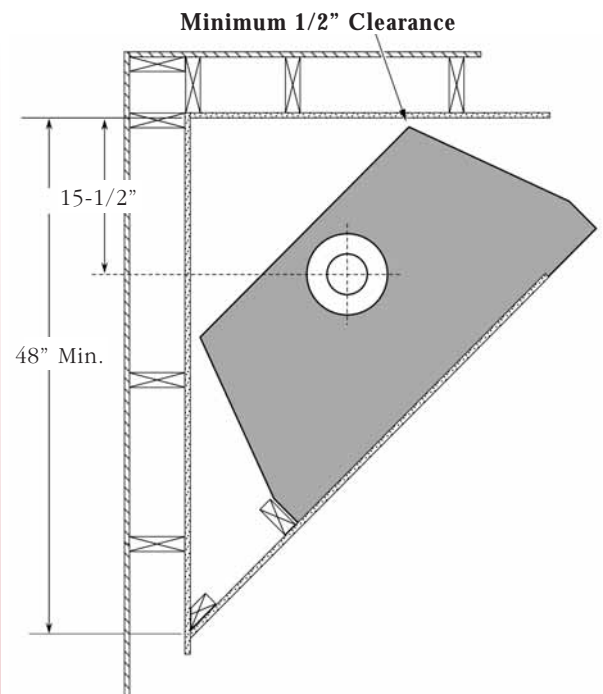
Minimum Framing Dimensions - Rear Vent



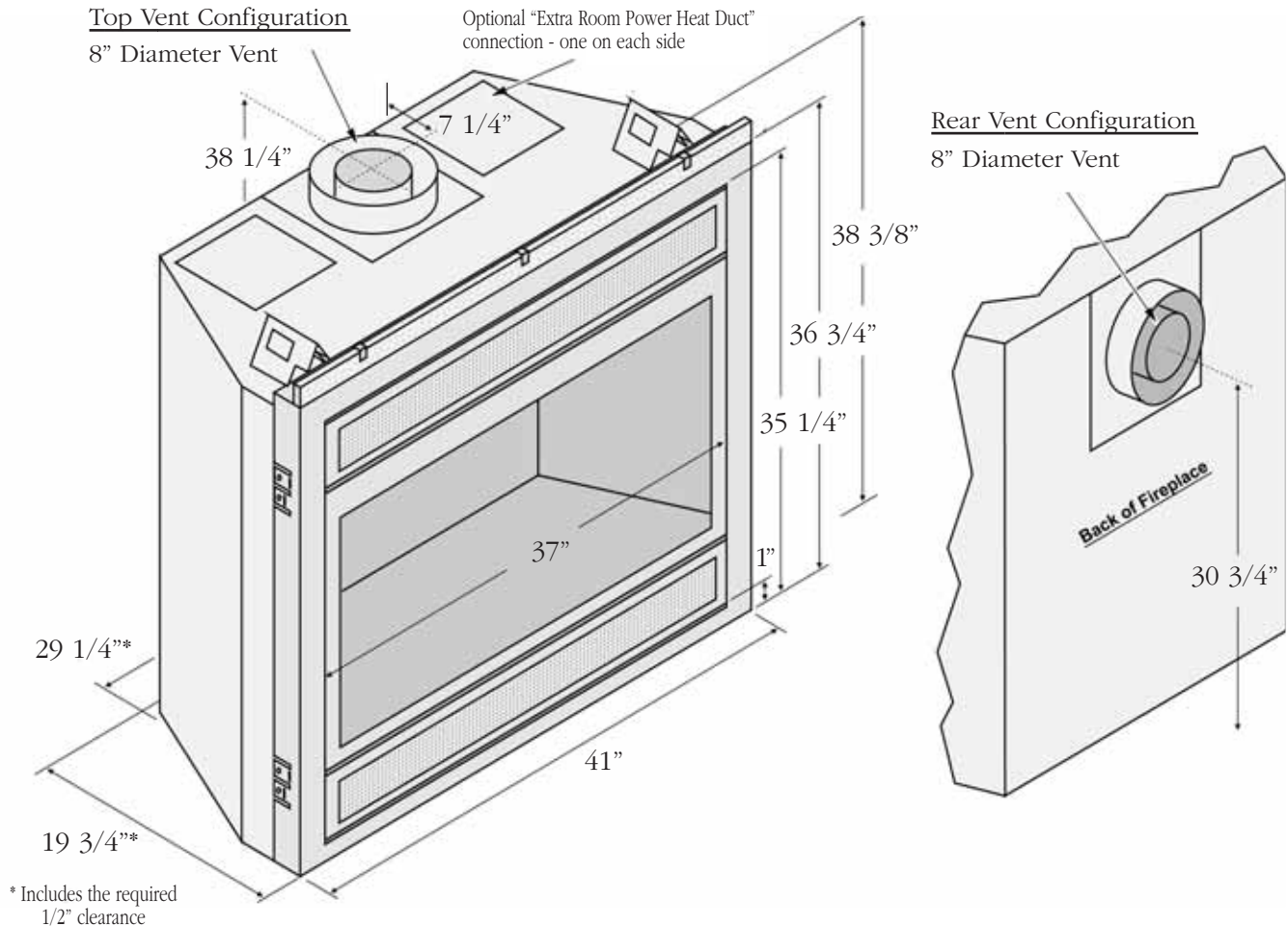
Minimum Framing Dimensions - Top Vent



Minimum Framing Dimensions - Top Vent



Dimensions



Note: Improper installation of your gas appliance or failure to operate it in accordance to the guidelines detailed in the Owner's Manual may negate your warranty and endanger your home and family. Installation information is available on our website at www.avalonfirestyle.com. We recommend all Avalon appliances be installed and maintained on an annual basis by your Professional Hearth Retailer.

Approved Installations

- Residential or Mobile Home
 - Straight or Corner Placement
 - Flush or Recessed Face
 - Raised Hearth or Flush To The Floor
 - Internal or External Chase
 - Horizontal or Vertical Vent
 - Bedroom Approved
 - Outside Fireplace
- see Damp Standard in Owner's Manual

The Best Warranty in the Business

Avalon's "Real World Warranty" is backed up by certified factory-trained installers. It covers every Avalon firebox for a full 7 years. All parts, electronics and labor are covered for a full 2 years. No other manufacturer's warranty can compare.

Testing Tested and listed by OMNI-Test Laboratories, Inc. - Report # 028-F-59-5 ANSI Z21.88b-2003

All Avalon firestyles are proudly made in the U.S.A.



Wood burning
catalog



Pellet burning
catalog



Gas burning
catalog

Your Avalon Dealer was chosen to present our products because of their commitment to you, the customer. They are trained to provide the best possible sales experience, assist you in selecting the right hearth appliance and provide proper installation to ensure flawless operation. They are truly your local hearth-product specialists.

Avalon Wood, Gas Pellet Products

With the Avalon product line all the elements come together: architectural styling, innovative technology and dedicated craftsmanship, offering you a dream-fulfilling heating solution for every part of your house. Avalon also manufactures a wood burning product line, additional gas stove, insert and fireplaces as well as our pellet stove collection, which uses alternative fuel resources. We hope our products will bring enjoyment, warmth and many pleasant hours spent in front of your choice of home fire.

www.avalonfirestyle.com



See the wide range of Avalon products at:

Free Manuals Download Website

<http://myh66.com>

<http://usermanuals.us>

<http://www.somanuals.com>

<http://www.4manuals.cc>

<http://www.manual-lib.com>

<http://www.404manual.com>

<http://www.luxmanual.com>

<http://aubethermostatmanual.com>

Golf course search by state

<http://golfingnear.com>

Email search by domain

<http://emailbydomain.com>

Auto manuals search

<http://auto.somanuals.com>

TV manuals search

<http://tv.somanuals.com>