

Warnings

Please read these warnings before using your headphones. To ensure safety, observe all warnings while using this equipment.

- Do not disassemble or attempt to repair headphones.
- Never use the headphones in places where the inability to hear ambient sounds presents a serious risk (such as while operating a motor vehicle or bicycle, or at railroad crossings, train stations, construction sites or on roads or where vehicles and bicycles are traveling).
- Noise-cancelling headphones make it hard to hear outside low-pitched sounds. Take care to recognize warning beeps and other auditory reminders; be aware that the familiar sound of these alerts may be changed by the headphones.
- To prevent damage to your eardrums, never use the headphones at excessive volume levels. Listening to loud sounds for an extended period may cause temporary or permanent hearing loss.
- Do not store the headphones in direct sunlight, near heating devices or in hot, humid or dusty places.
- Do not subject the headphones to strong impact.
- Do not allow the headphones to become wet.

Battery precautions

- Keep batteries out of the reach of children.
- Use only disposable AAA alkaline batteries.
- Do not use rechargeable batteries.
- Observe correct polarity as marked.
- Remove depleted battery immediately.
- Please dispose of used batteries properly.
- Do not use a leaking battery. If battery leakage occurs, avoid contact with skin. If contact occurs, immediately wash thoroughly with soap and water. If battery leakage comes into contact with your eyes, immediately flush with water and seek medical attention.
- Do not expose the battery to excessive heat.

Compliance with FCC rules (USA only)

This device complies with Part 15 of the FCC rules. Operation is subject to the following two conditions:(1) this device may not cause harmful interference, and (2) this device must accept any interference received, including interference that may cause undesired operation.

FCC WARNING

You are cautioned that any changes or modifications not expressly approved in this manual could void your authority to operate this equipment.


NOTICE

This equipment has been tested and found to comply with the limits for a Class B digital device, pursuant to Part 15 of the FCC Rules. These limits are designed to provide reasonable protection against harmful interference in a residential installation. This equipment generates, uses, and can radiate radio frequency energy and, if not installed and used in accordance with the instructions, may cause harmful interference to radio communications. However, there is no guarantee that interference will not occur in a particular installation. If this equipment does cause harmful interference to radio or television reception, which can be determined by turning the equipment off and on, the user is encouraged to try to correct the interference by one or more of the following measures:

- Reorient or relocate the receiving antenna.
- Increase the separation between the equipment and receiver.
- Connect the equipment into an outlet on a circuit different from that to which the receiver is connected.
- Consult the dealer or an experienced radio/TV technician for help.

Canada only

This Class B digital apparatus complies with Canadian ICES-003. Cet appareil numérique de la classe B est conforme à la norme NMB-003 du Canada.

 This product conforms to the EMC Directive 2004/108/EC. The complete declaration of conformity can be obtained from Audio-Technica Limited, Royal London Industrial Estate, Beeston, Leeds, UK, LS11 8AG.

Avertissements

Veuillez lire les avertissements ci-dessous avant d'utiliser le casque. Pour votre sécurité et celle des autres, observez tous les avertissements ci-dessous lorsque vous utilisez cet appareil.

- Ne pas démonter ou tenter de réparer le casque d'écoute.
- Ne jamais utiliser le casque d'écoute dans des lieux où ne pas entendre les bruits ambiants peut constituer un facteur de risque sérieux (en conduisant ou en roulant en vélo, aux passages à niveau, dans les gares, sur un chantier ou dans le trafic automobile ou cycliste, etc.).
- Le casque d'écoute rend plus difficile la perception des sons graves. Veillez à vous familiariser avec le son des alarmes et des signaux sonores ; le port du casque d'écoute peut changer la façon dont vous les entendez.
- Pour éviter les lésions aux tympans, évitez d'utiliser le casque d'écoute à un volume sonore trop élevé. L'écoute à un volume sonore très élevé pendant des périodes prolongées peut provoquer des pertes auditives temporaires ou irréversibles.
- Ne pas ranger le casque à des endroits exposés à l'ensoleillement direct, à côté d'appareils de chauffage ou dans des lieux chauds, humides ou poussiéreux.
- Ne pas exposer le casque à des chocs violents.
- Ne pas mettre le casque en contact avec l'eau.

Mesures de sécurité relatives aux piles

- Garder les piles hors de portée des enfants.
- N'utilisez que des piles alcalines AAA jetables.
- Ne pas utiliser de piles rechargeables.
- Respectez la polarité comme indiqué sur le logement.
- Ne pas utiliser de piles présentant des fuites. En cas de fuite de la pile, éviter tout contact avec la peau. En cas de contact avec la peau, laver immédiatement au savon et à l'eau. En cas de contact du liquide de la pile avec les yeux, rincer immédiatement à l'eau claire et con sulter un médecin.
- Ne pas exposer les piles à une chaleur excessive.
- Retirer immédiatement les piles vides du logement.
- Éliminer les piles usagées dans le respect de la réglementation sur l'environnement.

Advertencias

Lea las siguientes advertencias antes de usar los auriculares. Para garantizar la seguridad, respete todas las advertencias cuando use este aparato.

- No desmonte ni intente reparar los auriculares.
- No utilice los auriculares en lugares en los que la imposibilidad de oír el sonido ambiental suponga un riesgo importante (como cuando maneja un vehículo motorizado o una bicicleta, o en pasos a nivel, estaciones de tren, lugares en construcción o en vías en las que circulan vehículos o bicicletas).
- Los auriculares con cancelación de ruido hacen que sea difícil oír sonidos exteriores de tonos bajos. Preste atención para poder reconocer pitidos de advertencia y otros avisos sonoros; sea consciente de que el sonido familiar de esas alertas puede ser cambiado por los auriculares.
- Para evitar daños en los tímpanos, no use nunca los auriculares con niveles de volumen excesivos. Escuchar sonidos fuertes durante un prolongado periodo de tiempo puede causar pérdida auditiva temporal o permanente.
- No guarde los auriculares expuestos directamente al sol, cerca de aparatos de calefacción o en lugares calientes, húmedos o expuestos al solvo.
- Ne pas exposer les auriculares à un impactos fuertes.
- No deje que se mojen los auriculares.

Precauciones con las pilas

- Mantenga las pilas fuera del alcance de los niños.
- Use sólo pilas alcalinas AAA desechables.
- No use pilas recargables.
- Respete la polaridad correcta según se indica.
- No use pilas con fugas. Si se produce una fuga en las pilas, evite que entre en contacto con la piel. Si se produce contacto, lave de inmediato con agua abundante y jabón. Si la fuga de las pilas entra en contacto con los ojos, enjuague de inmediato con agua y busque atención médica.
- No exponga las pilas a un calor excesivo.
- Retire de inmediato las pilas agotadas.
- Por favor, deseche las pilas adecuadamente.

Avvertenze

Si prega di leggere le seguenti avvertenze prima dell'uso. Si consiglia di attenersi alle seguenti avvertenze per un corretto funzionamento dell'apparecchio.

- Non smontare o cercare di riparare le cuffie.
- Non utilizzare le cuffie in tutti i casi in cui l'impossibilità di udire rumori esterni possa comportare un rischio per se stessi o per gli altri (come ad esempio alla guida di un veicolo a motore o di una bicicletta, in prossimità di passaggi a livello o stazioni ferroviarie, cantieri edili o di strade trafficate).
- Le cuffie con riduzione del rumore rendono difficile l'ascolto di toni bassi provenienti dall'esterno. Prestare attenzione agli avvisi e ai promemoria sonori; il suono di questi avvisi potrebbe risultare alterato una volta indossate le cuffie.
- Per prevenire il danneggiamento dei timpani si consiglia di non utilizzare le cuffie ad un volume troppo elevato. Ascoltare musica a volume elevato e per periodi prolungati può causare la perdita temporanea o permanente dell'udito.
- Si consiglia di non esporre le cuffie alla luce solare, a fonti di calore o di non riporle in luoghi caldi, umidi o polverosi.
- Proteggere le cuffie da urti violenti.
- Non bagnare le cuffie.

Precauzioni per le batterie

- Tenere le batterie lontano dalla portata dei bambini.
- Utilizzare solo batterie alcaline AAA di tipo "usa e getta".
- Non utilizzare batterie ricaricabili.
- Inserire le batterie rispettando la polarità indicata.
- Non utilizzare batterie danneggiate che perdono liquidi. In presenza di batterie danneggiate e di perdita di liquidi, evitare il contatto della pelle. In caso di contatto, lavare immediatamente con abbondante acqua e sapone. In caso di contatto con gli occhi, lavare immediatamente con abbondante acqua e consultare un medico.
- Non esporre le batterie a temperature elevate.
- Rimuovere immediatamente le batterie esauste.
- Smaltire le batterie esauste negli appositi contenitori.

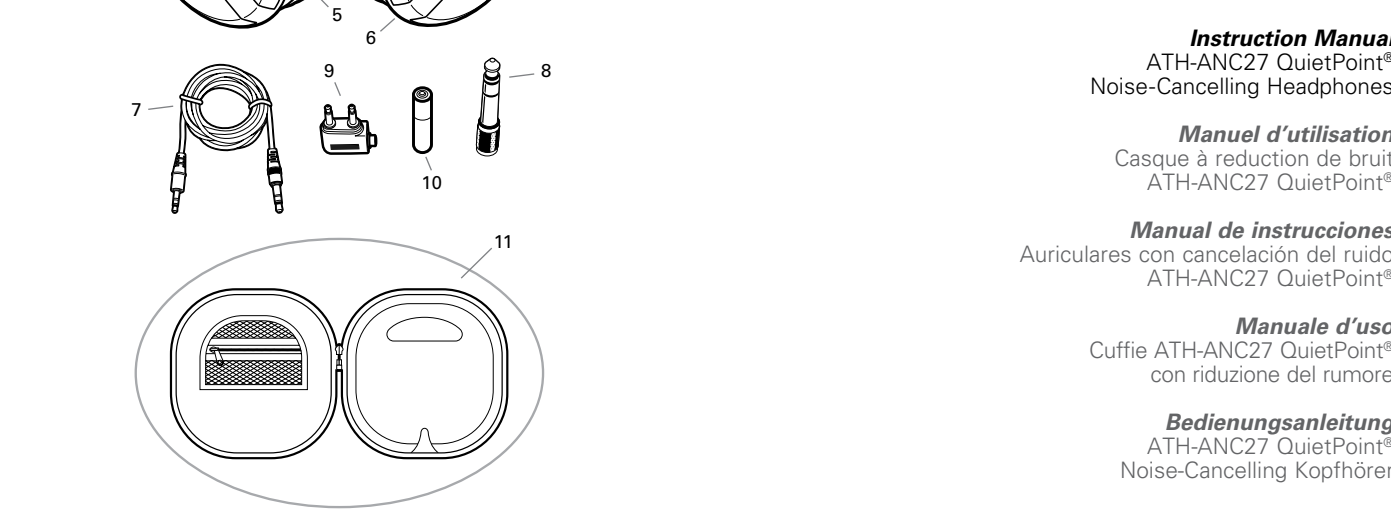
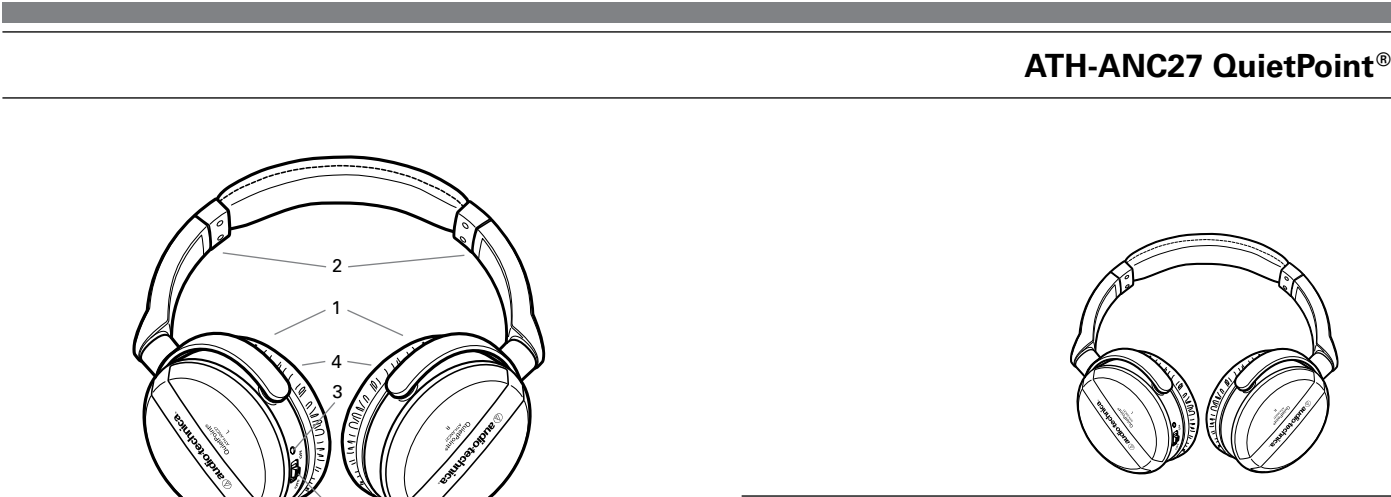
Warnhinweise:

Bitte lesen Sie diese Warnhinweise, bevor Sie die Kopfhörer benutzen. Beachten Sie zu Ihrer Sicherheit alle Warnhinweise, wenn Sie dieses Gerät benutzen.

- Bauen Sie Kopfhörer nicht auseinander, und versuchen Sie selbst zu reparieren.
- Benutzen Sie Kopfhörer niemals in Umgebungen, wo die Unfallgefahr, Umgebungsgeräusche zu hören, ein Risiko darstellen (etwa, wenn Sie selbst ein Kraftfahrzeug oder ein Fahrrad fahren, oder an Bahnübergängen, in Bahnhöfen, an Baustellen und auf Straßen, die von Kraftfahrzeugen oder Fahrrädern befahren werden).
- Kopfhörer mit Geräuschunterdrückung erschweren es, wenig laute Geräusche von außen zu hören. Sorgen Sie dafür, dass Sie Warntöne und andere akustische Warnungen hören, und stellen Sie sich darauf ein, dass die Kopfhörer den Klang derart vertrauter Geräusche verändern können.
- Benutzen Sie die Kopfhörer niemals mit Überlautstärke, um Schäden an Ihrem Gehör zu vermeiden. Langes Hören von lauten Klängen kann zu zeitweiligem oder permanentem Hörverlust führen.
- Lagern Sie die Kopfhörer nicht unter direkter Sonneneinstrahlung, in der Nähe von Heizkörpern oder an heißen, feuchten sowie staubigen Orten.
- Setzen Sie die Kopfhörer keinen heftigen Erschütterungen aus.
- Setzen Sie die Kopfhörer keiner Feuchtigkeit aus.

Batterievorkkehrungen

- Bevahren Sie Batterien außerhalb der Reichweite von Kindern auf.
- Verwenden Sie ausschließlich hochwertige Einmal-Alkali-Batterien.
- Verwenden Sie keine wieder aufladbaren Batterien.
- Achten Sie auf die richtige Polarität wie markiert.
- Verwenden Sie keine beschädigten Batterien. Vermeiden Sie Hautkontakt mit beschädigten Batterien. Falls Hautkontakt entstanden ist, waschen Sie sich sorgfältig mit Wasser und Seife. Falls eine aus der Batterie ausgetretene Substanz mit Ihren Augen in Kontakt gekommen ist, spülen Sie die Augen sofort mit Wasser und suchen Sie einen Arzt auf.
- Setzen Sie die Batterie keiner großen Hitze aus.
- Entfernen Sie leere Batterien sofort.
- Bitte entsorgen Sie gebrauchte Batterien fachgerecht.



ATH-ANC27 QuietPoint®



Instruction Manual ATH-ANC27 QuietPoint® Noise-Cancelling Headphones

Manuel d'utilisation Casque à réduction de bruit ATH-ANC27 QuietPoint®

Manual de instrucciones Auriculares con cancelación del ruido ATH-ANC27 QuietPoint®

Manuale d'uso Cuffie ATH-ANC27 QuietPoint® con riduzione del rumore

Bedienungsanleitung ATH-ANC27 QuietPoint® Noise-Cancelling Kopfhörer

U.S. One-Year Limited Warranty

Audio-Technica brand products purchased in the U.S.A. are warranted for one year from date of purchase by Audio-Technica U.S., Inc. (A.T.U.S.) to be free of defects in materials and workmanship. In event of such defect, product will be repaired promptly without charge or, at our option, replaced with a new product of equal or superior value if delivered to A.T.U.S. or an Authorized Service Center, prepaid, together with the sales slip or other proof of purchase date. **Prior approval from A.T.U.S. is required for return.** This warranty excludes defects due to normal wear, abuse, shipping damage, or failure to use product in accordance with instructions. This warranty is void in the event of unauthorized repair or modification, or removal or defacing of the product labeling.

For return approval and shipping information, contact the Service Department, Audio-Technica U.S., Inc., 1221 Commerce Drive, Stow, Ohio 44224.

Except to the extent precluded by applicable state law, **A.T.U.S. will have no liability for any consequential, incidental, or special damages; any warranty of merchantability or fitness for particular purpose expires when this warranty expires.**

This warranty gives you specific legal rights, and you may have other rights which vary from state to state.

Outside the U.S.A., please contact your local dealer for warranty details.

Register your product online at www.audio-technica.com.



Audio-Technica U.S., Inc.
1221 Commerce Drive, Stow, Ohio 44224 USA +1 (330) 686-2600

Audio-Technica Limited
Old Lane, Leeds LS11 8AG England +44 (0) 113 277 1441

Audio-Technica (Greater China) Limited
Unit K, 9/F., Kaiser Est. (Ph.2) 51 Man Yue St. Kowloon, HK. +852-2356-9268

Audio-Technica (S.E.A.) Pte. Ltd.,
No 1 Ubi View, #01-14 Focus One, Singapore 408555 +65-6749-5686

Audio-Technica Taiwan Co., Ltd.
Taipei Branch, 2F. No.85, Sec. 1, Da-an, Taipei, Taiwan +886-2-8772-8608

Audio-Technica Corporation, 2206, Naruse Machida, Tokyo Japan

www.audio-technica.com

©2010 Audio-Technica U.S., Inc.
P52162



English

Audio-Technica's ATH-ANC27 QuietPoint® headphones use active noise-cancelling technology to provide a comfortable listening environment in areas with high ambient noise. The headphones feature a miniature microphone in each earpiece that picks up ambient noise and creates a sound-cancelling signal to effectively block the noise.

- QuietPoint® active noise cancelling headphones cut ambient noise by up to 85%
- Use for MP3, CD, DVD and in-flight entertainment systems; remove detachable cable for noise-cancelling function without audio input
- Audio functions (in passive mode) even without the battery
- Fully integrated electronics—no external modules needed
- Compact design folds flat for travel
- Includes a durable carrying case with attached pouch for accessories

Features and Included Accessories

- Swiveling earcups
- Adjustable headband
- Power indicator (Lights red when power is ON)
- Replaceable earpads
- Power switch (Activates noise-cancelling function when power is ON. Headphones operate as stereo headphones in OFF position without active noise-cancelling function.)
- Battery compartment cover
- Detachable 1.2 m (3.9') cable with gold-plated 3.5 mm (1/8") stereo mini-plug and 2.5 mm stereo mini-plug with locking connector tab
- Gold-plated 6.3 mm (1/4") adapter
- Gold-plated airline adapter
- AAA battery
- Durable carrying case with attached pouch

Installing the battery

The ATH-ANC27 requires one AAA battery for operation (included). Use only disposable AAA alkaline batteries. **Do not use rechargeable batteries.**

- Move headphone power switch to the "OFF" position.
- While the headphones are lying in a flat position, use the lift tab at the bottom of the right earcup to open the battery compartment.
- Insert one AAA battery, observing correct polarity as marked.
- Close the battery compartment cover.

Using your headphones

Listening to music/audio

- Connect the 2.5 mm end of the included headphone cable to the input connector on the left earcup, making certain that the small locking connector tab on the 2.5 mm stereo plug aligns with the notch in the input connector. When the plug is firmly seated, rotate counterclockwise 90° to lock. Reverse this motion to unlock before removing the plug.
- Connect the 3.5 mm (1/8") end of the headphone cable to the headphone jack of your audio device. Use the included airline adapter to connect to typical airline audio systems.

Use included 6.3 mm (1/4") stereo adapter to connect to home stereo equipped with 6.3 mm (1/4") output jack.

- Wear the left earpiece (marked L) on your left ear; and the right earpiece (marked R) on your right ear. Adjust the headband as needed for a comfortable fit.
- To activate noise-cancelling function, move the power switch to the "ON" position; the power indicator should light (red). (If you do not wish to use the active noise-cancelling function, move power switch to the "OFF" position.)
- Turn on your audio device. (Volume should be set at a low level at first; adjust as necessary on audio device.) To prevent damage to your eardrums, **never** use excessive volume levels.

Noise-cancelling only

To activate noise-cancelling function, move the power switch on your headphones to the "ON" position; power indicator should light (red). In this case, there is no need to connect the headphone cable; simply turn the headphones on and wear them.

After using

- When you have finished using your headphones, switch the power to the "OFF" position.
- Remove battery when you will not be using the headphones for an extended period.
- Store your headphones and accessories in the included carrying case.

Troubleshooting

Problem

Ambient noise is not reduced

Solution
Adjust headphones' position. (Headphones may be incorrectly positioned on ears.)
Turn power switch off, and on again. (Ambient noise may be out of synchronization with noise-cancelling frequency.)

Headphones produce rumbling noise

Adjust headphones' position. (Headphones may be incorrectly positioned on ears.)

Sound has become distorted

Turn down volume of audio/video equipment. (Volume may be too loud.)
Change battery in headphones. (Battery may be drained.)
Make certain that the cable is securely connected to the input connector.

Specifications*

Driver: 40 mm, active noise-cancelling; **Frequency Response:** 20 – 20,000 Hz; **QuietPoint® Active Noise Reduction:** Up to 18 dB; **Sensitivity:** 106 dB; **Impedance:** 33 ohms; **Maximum Input Power:** 500 mW; **Battery:** AAA (alkaline); **Battery Life:** Up to 40 hours, typical (alkaline); **Cable:** Detachable 1.2 m (3.9') with 3.5 mm (1/8") stereo mini-plug output connector; **Connector Input:** 2.5 mm (1/4") (6.8 oz), without cable and battery; **Included Accessories:** 6.3 mm (1/4") stereo adapter; airline adapter; AAA battery; carrying case with attached accessory pouch

* Specifications measured with headphones in active mode. Specifications are subject to change without notice.

Free Manuals Download Website

<http://myh66.com>

<http://usermanuals.us>

<http://www.somanuals.com>

<http://www.4manuals.cc>

<http://www.manual-lib.com>

<http://www.404manual.com>

<http://www.luxmanual.com>

<http://aubethermostatmanual.com>

Golf course search by state

<http://golfingnear.com>

Email search by domain

<http://emailbydomain.com>

Auto manuals search

<http://auto.somanuals.com>

TV manuals search

<http://tv.somanuals.com>