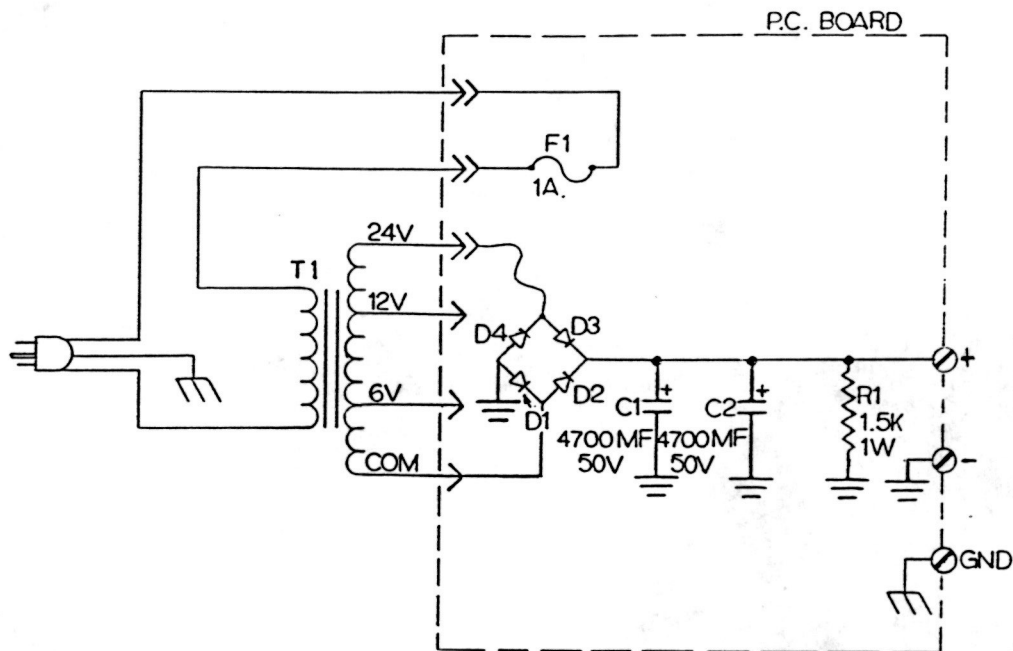




**INPUT – 117 VAC @ 60 Hz**  
**OUTPUT – 6, 12, 24 VDC 2 Amps**



**PARTS LIST**

Ref. Designator	Description	Part No.
T1	Power Transformer	248827
C1, C2	Capacitor, 4700mf 50v	253715
R1	Resistor, 1.5k 1w	110728
D1, D2, D3, D4	Silicon Rect., 400 piv. 2 amp	110973
F1	Fuse, 1 amp AGC 1	111368

**OUTPUT VOLTAGE CHANGE INSTRUCTIONS**

1. Remove bottom cover and locate terminal strip with quick-on connector.
2. Remove quick-on connector from 24 volt terminal and reconnect to 6 volt or 12 volt as desired.

*Specifications are subject to change without notice*

[www.AtlasSound.com](http://www.AtlasSound.com)



1601 JACK MCKAY BOULEVARD ENNIS, TEXAS U.S.A. • TELEPHONE: (800) 876-3332 • FAX: (800) 765-3435

©2001 ATLAS SOUND LP

Printed in U.S.A.

00901

ATS000826 RevB 9/01

PN 248886

## Free Manuals Download Website

<http://myh66.com>

<http://usermanuals.us>

<http://www.somanuals.com>

<http://www.4manuals.cc>

<http://www.manual-lib.com>

<http://www.404manual.com>

<http://www.luxmanual.com>

<http://aubethermostatmanual.com>

Golf course search by state

<http://golfingnear.com>

Email search by domain

<http://emailbydomain.com>

Auto manuals search

<http://auto.somanuals.com>

TV manuals search

<http://tv.somanuals.com>