

ASUS[®]

DVD-ROM Drive

ATAPI / Enhanced IDE Interface



USER'S MANUAL

Copyrights/Disclaimer

Copyright © 2002 ASUSTeK COMPUTER INC. All Rights Reserved.

No part of this manual, including the products and software described in it, may be reproduced, transmitted, transcribed, stored in a retrieval system, or translated into any language in any form or by any means, except documentation kept by the purchaser for backup purposes, without the express written permission of ASUSTeK COMPUTER INC. ("ASUS").

ASUS PROVIDES THIS MANUAL "AS IS" WITHOUT WARRANTY OF ANY KIND, EITHER EXPRESS OR IMPLIED, INCLUDING BUT NOT LIMITED TO THE IMPLIED WARRANTIES OR CONDITIONS OF MERCHANTABILITY OR FITNESS FOR A PARTICULAR PURPOSE. IN NO EVENT SHALL ASUS, ITS DIRECTORS, OFFICERS, EMPLOYEES OR AGENTS BE LIABLE FOR ANY INDIRECT, SPECIAL, INCIDENTAL, OR CONSEQUENTIAL DAMAGES (INCLUDING DAMAGES FOR LOSS OF PROFITS, LOSS OF BUSINESS, LOSS OF USE OR DATA, INTERRUPTION OF BUSINESS AND THE LIKE), EVEN IF ASUS HAS BEEN ADVISED OF THE POSSIBILITY OF SUCH DAMAGES ARISING FROM ANY DEFECT OR ERROR IN THIS MANUAL OR PRODUCT.

Product warranty or service will not be extended if: (1) the product is repaired, modified or altered, unless such repair, modification or alteration is authorized in writing by ASUS; or (2) the serial number of the product is defaced or missing.

The product name and revision number are both printed on the product itself. Manual revisions are released for each product design represented by the digit before and after the period of the manual revision number. Manual updates are represented by the third digit in the manual revision number.

SPECIFICATIONS AND INFORMATION CONTAINED IN THIS MANUAL ARE FURNISHED FOR INFORMATIONAL USE ONLY, AND ARE SUBJECT TO CHANGE AT ANY TIME WITHOUT NOTICE, AND SHOULD NOT BE CONSTRUED AS A COMMITMENT BY ASUS. ASUS ASSUMES NO RESPONSIBILITY OR LIABILITY FOR ANY ERRORS OR INACCURACIES THAT MAY APPEAR IN THIS MANUAL, INCLUDING THE PRODUCTS AND SOFTWARE DESCRIBED IN IT.

Products and corporate names appearing in this manual may or may not be registered trademarks or copyrights of their respective companies, and are used only for identification or explanation and to the owners' benefit, without intent to infringe.

Product Name:	ASUS DVD-ROM Drive
Manual Revision:	1.03 E976
Release Date:	March 2002

FCC & DOC COMPLIANCE

Federal Communications Commission Statement

This device complies with FCC Rules Part 15. Operation is subject to the following two conditions:

- This device may not cause harmful interference, and
- This device must accept any interference received, including interference that may cause undesired operation.

This equipment has been tested and found to comply with the limits for a Class B digital device, pursuant to Part 15 of the FCC Rules. These limits are designed to provide reasonable protection against harmful interference in a residential installation. This equipment generates, uses and can radiate radio frequency energy and, if not installed and used in accordance with manufacturer's instructions, may cause harmful interference to radio communications. However, there is no guarantee that interference will not occur in a particular installation. If this equipment does cause harmful interference to radio or television reception, which can be determined by turning the equipment off and on, the user is encouraged to try to correct the interference by one or more of the following measures:

- Re-orient or relocate the receiving antenna.
- Increase the separation between the equipment and receiver.
- Connect the equipment to an outlet on a circuit different from that to which the receiver is connected.
- Consult the dealer or an experienced radio/TV technician for help.

WARNING! Any changes or modifications to this product not expressly approved by the manufacturer could void any assurances of safety or performance and could result in violation of Part 15 of the FCC Rules.

Canadian Department of Communications Statement

This digital apparatus does not exceed the Class B limits for radio noise emissions from digital apparatus set out in the Radio Interference Regulations of the Canadian Department of Communications.

This Class B digital apparatus complies with Canadian ICES-003.

Cet appareil numérique de la classe B est conforme à la norme NMB-003 du Canada.

SAFETY WARNINGS

ASUS DVD-ROM Drive Safety Warnings

CLASS I LASER PRODUCT

APPAREIL A LASER DE CLASSE 1

KLASSE 1 LASER APPARAT

LUOKAN 1 LASERLAITE

PRODUIT LASER CATEGORIE 1

DANGER INVISIBLE LASER RADIATION WHEN OPEN. DO NOT STARE INTO BEAM.

ADVARSEL LASERSTRÅLING VED ÅBNING SE IKKE IND I STRÅLEN.

ADVARSEL LASERSTRÅLING NÅR DEKSEL ÅPNES. STIRR IKKE INN I STRÅLEN.

VARNING LASERSTRÅLNING NÅR DENNA DEL ÄR ÖPPNAD. STIRRA EJ IN I STRÅLEN.

VARO! AVATTAESSA OLET ALTTIINA LASERSÄTEILYLLE.

VARNING LASERSTRÅLNING NÅR DENNA DEL ÄR ÖPPNAD. ÄLÄ TUIJOTA SÄTEESEEN. STIRRA EJ IN I STRÅLEN.

VORSICHT UNSICHTBARE LASERSTRAHLUNG WENN GEÖFFNET. NICHT IN DEN STRAHL SEHEN.

ATTENTION RADIATION DU FAISCEAU LASER INVISIBLE EN CAS D'OUVERTURE. EVITER TOUTE EXPOSITION AU FAISCEAU.

CAUTION USE OF ANY CONTROLS OR ADJUSTMENTS OR PROCEDURES OTHER THAN THOSE SPECIFIED HEREIN MAY RESULT IN HAZARDOUS RADIATION EXPOSURE. TO PREVENT EXPOSURE TO LASER EMANATIONS (HARMFUL TO HUMAN EYES), **DO NOT** ATTEMPT TO DISASSEMBLE THIS UNIT.

I. INTRODUCTION

Thank you for purchasing an ASUS DVD-ROM Drive. The DVD-ROM Drive complements your system with audio and video capabilities for that complete all-in-one versatile personal PC or home theater.

DVD-ROM, short for Digital Versatile Disc Read-Only Memory or Digital Video Disc Read-Only Memory, is a type of read-only compact disk which supports a minimum of 4.7GB. That's enough memory to provide you with hours of film and music enjoyment right at the comfort of your home.

The ASUS DVD-ROM Drive is backward-compatible and, aside from DVDs, allows you to play CDs, CD-I disks, CD-R disks, and VCDs. So there's no need to throw away that favorite old CD, and still take advantage of the new and more sophisticated DVD titles.

The ASUS DVD-ROM Drive uses your computer's IDE connector thereby eliminating the cumbersome use of an interface card.

This User's Manual explains how to install the ASUS DVD-ROM Drive and the software to get it started. Basic trouble-shooting procedures are included to help you detect and solve problems that your drive may encounter.

Item Checklist

The package contains the following items along with the drive. Check to see if there are damaged or missing items and, if so, contact your retailer.

- (1) DVD-ROM Drive
- (1) Audio Cable
- (1) Mounting Screw Package
- (1) Emergency Ejection Pin
- (1) DVD-ROM Driver Disk
- (1) Latest Bundle Software CD
- (1) User's Manual and Multi-language Quick Installation Guide

NOTE: The above items are available in retail boxes only.

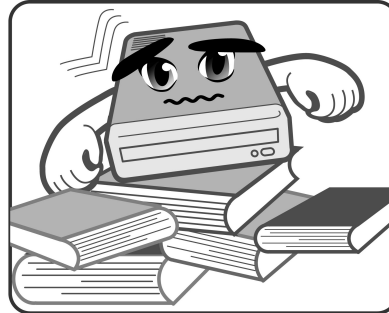
II. HARDWARE INSTALLATION

Safety Information

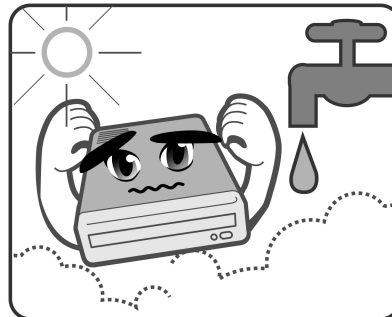
Observe the following precautions before installing and using the ASUS DVD-ROM Drive!

Installation Notices

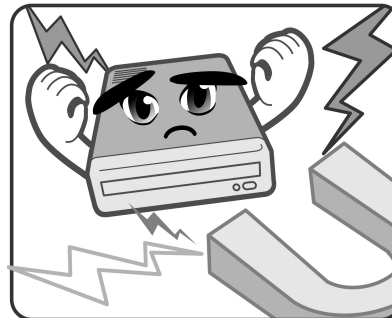
Do not place this device in an unstable position, or in one that vibrates.



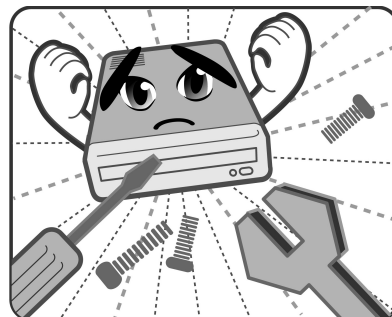
Do not place this device in areas where there is direct sunlight, high humidity, or damp condition.



Do not use or place this device near magnetic fields, televisions, or radios, where there is interference that may affect the performance of the drive.



Do not attempt to disassemble or repair the drive. Opening the drive may result to exposure to laser radiation.



II. HARDWARE INSTALLATION

Safety Information

SAFETY WARNINGS

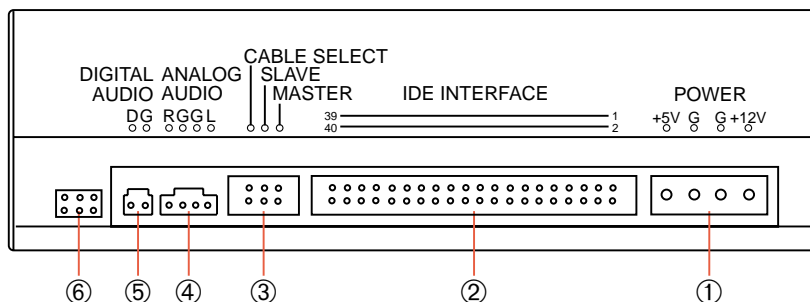
- CAUTION*
1. Use of any controls or adjustments or procedures other than specified herein may result in hazardous radiation exposure.
 2. To prevent exposure to laser emanations (harmful to human eye), do not attempt to disassemble this unit.

Using the Device

- **Do not place damaged or warped discs inside the device. A warped disc may break while in use and damage the device, or cause body injury.**
- Do not move the device from a cold to a warm or hot environment. Drastic change of temperature is harmful to the device.
- Before moving or uninstalling the drive, remove a disc from it, if any.
- Prevent liquids or any metal to get into the device. If this situation occurs, contact your retailer for help.
- Do not use any evaporating solvents to clean the device. If you accidentally sprayed any solvent on the device, use a clean cloth to wipe it. You may also use a neutral cleaner to dilute the solvent to easily wipe it from the device.
- Try not to interrupt the supply of power while the device is in reading or writing mode.
- Do not place discs into the device immediately if they came from a cold environment, specially during cold seasons. Wait until the discs have reached room temperature.

II. HARDWARE INSTALLATION

Rear Panel Features



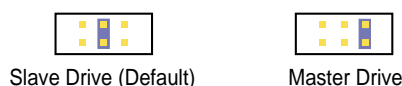
D: Digital; G: Ground; R: Right audio channel; L: Left audio channel

NOTE: The pin settings or definitions of the connectors and jumpers are also engraved on the Rear Panel of your DVD-ROM Drive.

- 1. Power Supply connector** connects to the computer's power supply.
- 2. IDE Interface connector** connects to the 40-pin interface cable.
- 3. Device configuration jumper** allows you to set your DVD-ROM Drive as the Master or Slave drive. The default setting is Slave, wherein the jumper is on "SLAVE". "CABLE SELECT" is reserved and should not be used.
- 4. Analog Audio line out connector** has two channels, right ("R") and left ("L") audio outputs, and allows you to direct audio output from your DVD-ROM Drive to your sound card when connected using a CD audio cable. "G" is for Ground.
- 5. Digital Audio output connector** offers high quality audio effect by outputting digital signal to a D/A converter or for recording to a digital audio tape (DAT) or professional audio recording system. The connector follows the EBU-IEC958 standard set by the European Broadcast Union.
- 6. Testing jumpers** are reserved for manufacturer's internal testing/diagnostic purposes.

Setting Your DVD-ROM Drive

Set your drive as either the Master or Slave (default) drive by placing the jumper cap on the desired jumper ↯.

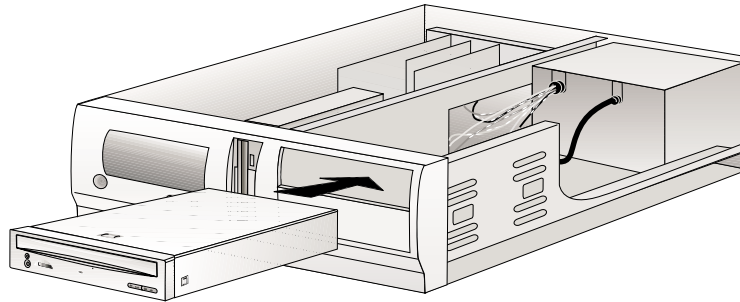


NOTE: If your computer only allows you to connect a maximum of two devices and you have two hard disks, remove the Slave hard disk — you need the other IDE connector for your DVD-ROM Drive. If you only have one hard disk, set your DVD-ROM Drive as Slave. If your computer has two IDE connectors and two hard disks installed, either set your DVD-ROM Drive as Master on the secondary IDE connector or remove the Slave hard disk and replace it with your DVD-ROM Drive. Refer to your computer's manual for the system configuration and instructions on hardware installation.

II. HARDWARE INSTALLATION

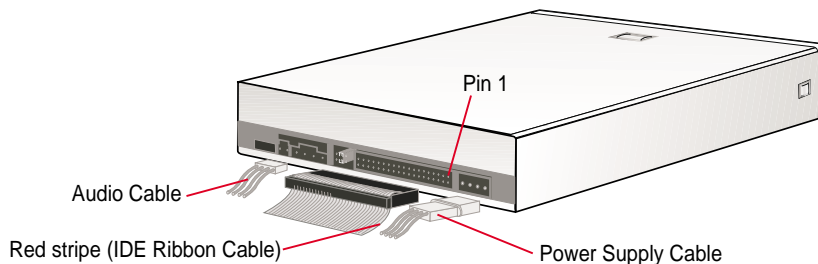
Inserting Your DVD-ROM Drive into Your Computer

Insert the DVD-ROM Drive into one of the free 5.25-inch bays available for disk drives.



NOTE: Do not slide the drive completely into the vacant drive bay. Leave some space at the rear so that it will be easier for you to connect cables to your drive.

Connecting Cables to the DVD-ROM Drive



1. Connect an unused power supply cable to the back of your DVD-ROM Drive.
2. Connect the 40-pin IDE ribbon cable to the back of your DVD-ROM Drive.

NOTE: Orient the red stripe on the cable with Pin 1 of the DVD-ROM Drive's IDE Interface connector.

3. If you have a sound card, connect the 4-pin CD audio cable to the DVD-ROM Drive's *Analog Audio line out* connector. Otherwise, proceed to the next step.

NOTE: If the pin definitions on your sound card are not the same as that (see preceding section) on your DVD-ROM Drive, check with your dealer for a compatible cable.

4. If you do not have a sound card, plug earphones, headphones, or powered/self-amplified speakers to the Headphone Jack on your DVD-ROM's front panel (see DVD-ROM DRIVE OPERATION). Set the volume controls of your drive and powered/self-amplified speakers to minimum before starting or restarting your computer. This will prevent possible damage to the earphones, headphones, or speakers.

NOTE: The **Headphone Jack** is used solely for headphones.

III. SOFTWARE INSTALLATION

Windows 9x, Windows NT/2000/XP

If your DVD-ROM Drive is already installed, Windows 9x or Windows NT/2000/XP will automatically detect this and determine the appropriate settings for the drive and install or load the correct driver.

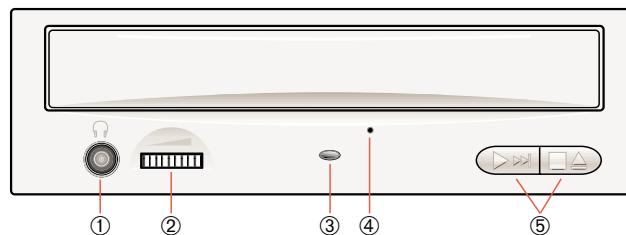
OS/2 and Other Operating Systems

Your DVD-ROM Drive supports the ATAPI drive interface. Your system should be able to automatically detect your DVD-ROM Drive and load the appropriate device driver.

IV. DVD-ROM DRIVE OPERATION

Now that you've installed your DVD-ROM Drive, it's ready for use. To start using your DVD-ROM Drive, you need to know how to (1) operate the DVD-ROM Drive using the controls on the front panel, (2) insert CD/DVD discs into and remove them from the drive, and (3) handle CD/DVD discs.

Front Panel Controls



- 1. Headphone Jack** allows you to connect a pair of earphones or headphones to the drive for private listening. It also allows you to connect a pair of powered/self-amplified speakers. Just plug them into the Headphone Jack.
- 2. Volume Control** allows you to adjust the volume of your earphones, headphones or powered/self-amplified speakers connected to the Headphone Jack. This control has no effect on the audio output from devices (such as speakers) connected to your sound card.
- 3. Disc Indicator** lights up when there is a disc inside your DVD-ROM Drive, otherwise this indicator will not light. This indicator flashes whenever your DVD-ROM Drive is busy reading information from your disc or when your drive is in use.
- 4. Emergency Ejection Hole** allows you to manually eject the tray in case of power failure. See **Emergency Eject** for more information.
- 5. Select Buttons** allows you to manually control your audio discs without having to run any software program.

Open/Close/Stop Button

The right button has three states: OPEN, CLOSE, and STOP. If tray is closed, pressing this button will OPEN or eject it. If tray is out, pressing this button will CLOSE it. If the drive is playing, pressing this button will momentarily STOP or pause CD playback.



Play/Skip Button

The left button has two states: PLAY track and SKIP track. If the drive is idle, pressing this button will start PLAYing audio CD discs from the first track on. If the drive has been momentarily STOPped or paused, pressing this button will resume CD playback or rePLAY the audio discs. If the drive is playing, pressing momentarily this button will SKIP to the next track of an audio CD disc.



IV. DVD-ROM DRIVE OPERATION

Emergency Eject

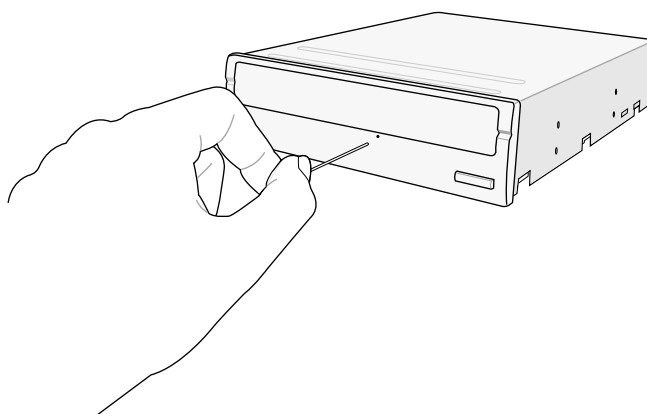
The emergency eject pinhole on the front of the drive allows you to manually eject the drive tray and remove a disc from the drive in the following instances:

- supply of power to the computer is cut due to electrical power outage
- the drive malfunctions

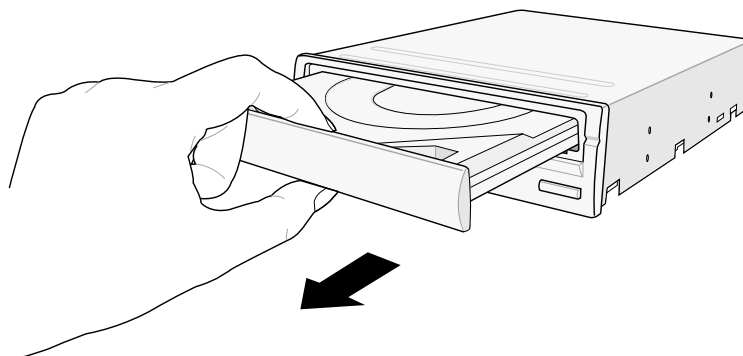
CAUTION! Use the manual method only as a last resort when the eject button does not work. Make sure that you have turned off your computer before ejecting the drive tray.

Follow these steps to eject the drive tray using the emergency pinhole.

1. Insert the eject pin that came with the drive package. You may also use a paper clip or any pointed rod small enough to fit into the emergency pinhole.



2. Carefully pull the tray out and remove the CD.



CAUTION! Do not force the tray open; wait until the eject pin has dislodged the tray to avoid breaking the tray panel.

V. TROUBLESHOOTING

General Problems

- PROBLEM** Unable to access DVD-ROM Drive.
- CAUSES*
1. The information in your CONFIG.SYS or AUTOEXEC.BAT or both files might be incorrect. (DOS only.)
 2. Some BIOS that include power management features use IRQ14 or IRQ 15, which should be reserved for IDE devices like your CD-ROM Drive. (DOS only.)
- SOLUTIONS*
1. Check the LASTDRIVE= entry in your CONFIG.SYS file. You might have to set the drive letter to one higher than your actual last drive letter. For example, if the last drive on your system is drive D, try setting the parameter in the CONFIG.SYS file to LASTDRIVE=E. (DOS only.)
 - Your DVD-ROM Drive requires the drivers, MSCDEX.EXE and ASUSCD.SYS, to access the drive. Check your AUTOEXEC.BAT file for the statement C:\DOS\MSCDEX.EXE /D:ASUCD01 and CONFIG.SYS file for the statement DEVICE=C:\ASUS_CD\ASUSCD.SYS /D:ASUSCD01 (see **Software Installation** for more information). (DOS only.)
 2. Change the IRQ setting of the device that is using IRQ 14 or IRQ 15, for example, sound card or motherboard. Refer to the card or motherboard documentation for more information. (DOS only.)
- PROBLEM** Cannot detect the DVD-ROM Drive (Windows 9x or Windows NT).
- CAUSE* There are times when Windows cannot detect a new hardware.
- SOLUTION* Install the drivers manually.
- Start the **Add New Hardware** wizard by double-clicking **My Computer | Control Panel | Add New Hardware** and then follow the instructions on your screen.
- NOTE:** Let Windows detect your DVD-ROM Drive. Make sure you have installed and connected your DVD-ROM Drive in your computer before running the wizard.

V. TROUBLESHOOTING

- PROBLEM** No sound from speakers.
- CAUSES**
1. Audio cable or speakers are not connected properly.
 2. The volume is not adjusted to an audible level.
 3. The drive may be faulty.
 4. The card may be faulty.
- SOLUTIONS**
1. Check that the CD audio cable is connected to the Analog Audio line out connector on the drive and sound card. Check also that the pin definitions of your DVD-ROM Drive and sound card are the same. If not, check with your dealer for a compatible audio cable or ask a qualified technician to adjust the cables to match your DVD-ROM Drive's pin definitions. Also, check that the speakers are connected to the correct jack on the sound card.
 2. Make sure the volume is turned up to an audible range.
 3. Connect earphones or headphones to the Headphone Jack. If there is no sound from your earphones or headphones, consult your dealer about your faulty drive.
 4. Connect earphones or headphones to the sound card's Headphone Jack. If there is no sound from your earphones or headphones, check to see the audio cable is connected from the drive to the sound card (refer to your sound card manual for more information). If the audio cable is connected and there is still no sound from your earphones or headphones, consult your dealer about your faulty card.
- PROBLEM** Cannot achieve the maximum data transfer rate performance specified for the DVD-ROM Drive.
- CAUSES**
1. If you are using a benchmarking utility, it may be old.
 2. The disc is not full.
 3. Given the signal quality issues with PIO Mode 4 transfer rates in some systems and such variables as error correction, caching, processor overhead, and rotational speed, higher transfer rates may not be achievable with the default transfer mode. Thus transfer rates may be lower.
 4. The disc you are playing may not be in a CD-ROM or DVD-ROM format.

V. TROUBLESHOOTING

- SOLUTIONS*
1. Upgrade your benchmarking utility to one that supports tests on the outer tracks of your drive. Your DVD-ROM Drive uses Constant Angular Velocity (CAV) technology, wherein the spindle motor is running at the same velocity, while the drive is accessing data at the inner or outer tracks. In this way, the drive will achieve lower data transfer rates at the inner tracks and higher transfer rates at the outer tracks. Thus using some or older benchmarking utilities, such as WinBench 96, will give lower data transfer rates because these utilities use the drive's inner tracks for its performance tests.
 2. A disc will occupy only the inner tracks when it is not full. Thus, because of the way your DVD-ROM Drive accesses data (*see* preceding explanation on CAV technology), the drive will achieve lower data transfer rates. Use a full disc if possible to get the maximum transfer rate from your drive.
 3. Change the transfer mode of your DVD-ROM Drive to Multi-word or Ultra DMA Mode to maximize its capability.
 - For DOS, see **Custom Setup** under SOFTWARE INSTALLATION for more information.
 - For Windows 95 or Windows NT, Bus Master driver must be installed. Unless your computer dealer installed the driver when you bought it or your motherboard supports Bus Master mode, Windows will not use bus mastering for your CD-ROM Drive.
 - Click **My Computer** | **Control Panel** | **System** | **Device Manager** | **CD-ROM controllers**. If you are using the bus master, PCI Bus Master will be displayed. If not and your motherboard has the new PCI controller chipsets from Intel, for example, the 430TX or 440BX, but does not have a CMOS setting for Bus Master mode, you may have to get the driver from Intel. Check with your dealer for more information.

V. TROUBLESHOOTING

4. Your DVD-ROM drive reads data at different speeds depending on the disc format. Your DVD-ROM drive performs at its best when it is reading a CD-ROM or DVD-ROM format disc. With other formats, such as Audio CD or Video CD, data transfer rate performance may be slower than the maximum rate performance specified.

PROBLEM Cannot display the directory on an audio CD disc with the DIR command.

CAUSE The DIR command does not work with audio CD discs while in DOS. You can use the command, however, to display the directory on a data CD.

NOTE: You can use the DIR command to display the directory on an audio disc while in Windows using the command prompt or MS-DOS Prompt. Refer to your Windows manual on how to find the command prompt.

DVD-ROM Specific Problems

PROBLEM Cannot play any DVD movie.

CAUSE You may not have an MPEG-2 card and/or decoder software installed on your computer system.

- SOLUTIONS**
1. Install an MPEG-2 card. To install an MPEG-2 card, you need at least a 166MHz Pentium, AGP motherboard, 32MB system memory, and Windows 95 OSR2.
 2. Install a software-only DVD decoder. To install a software-only DVD decoder, you need at least a 300MHz Pentium II, AGP motherboard, 32MB system memory, AGP graphics card, sound card supporting 48MHz sample rate, and Windows 95 OSR2 with USB upgrade.
 3. Contact your dealer for more information.

PROBLEM When playing a DVD movie, I get an error message about an invalid country or region code.

CAUSE DVD movies are regionally coded so you may be trying to play a DVD movie from a region other than the one specified for your MPEG-2 card or DVD player software.

SOLUTION Check your DVD movie to see which Region Code it has then purchase an MPEG-2 card and/or DVD player software specific for that region.

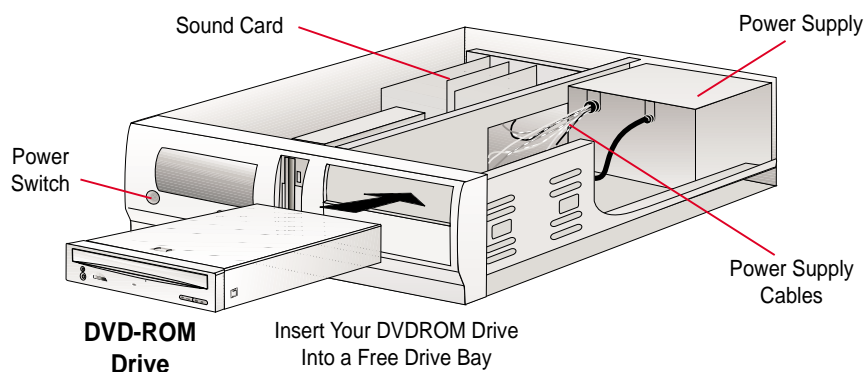
QUICK INSTALLATION GUIDE

I. Hardware Installation

1. Turn off your computer and peripheral devices, such as your printer.
2. Ground yourself by using a wrist strap. If you do not have one, touch both of your hands to a safely grounded object or to a metal object on your system.
3. Remove the cover from your computer.
4. Set your drive as either the Master or Slave (default) drive by placing the jumper cap on the desired jumper.
5. Insert the DVDROM Drive into one of the free 5.25-inch bays available for disk drives.
6. Connect an unused power supply cable to the back of your DVDROM Drive.
7. Connect the 40-pin IDE ribbon cable to the back of your DVDROM Drive. Make sure that the red stripe on the cable is aligned to Pin 1 of the IDE connector.
8. If you have a sound card, connect the 4-pin CD audio cable to the DVDROM Drive's *Analog Audio line out* connector. If you do not have a sound card, plug earphones, headphones, or powered/self-amplified speakers to the Headphones Jack on your DVDROM's front panel. Set the volume controls of your drive and powered/self-amplified speakers to minimum before starting or restarting your computer.
9. If you removed any drive or other items other than your DVDROM Drive, put them back into place and secure them to your computer.
10. Slide your DVDROM Drive now into place and fasten it to your system with the screws provided.
11. Replace the cover on your computer and secure it with the screws you removed earlier.
12. Reconnect the power supply.

II. Software Installation

1. For DOS/Windows 3.x, insert the DVDROM Driver for DOS/Win 3.x Installation disk into either drive A or drive B, type **A: install** (or **B: install**) and then press [Enter], choose your preferred setup option and then follow the instructions on the screen, and then restart your computer after installation is complete.
2. For Windows 9x or Windows NT, Windows will automatically detect and determine the current settings for your drive and install the correct driver.
3. For other operating systems, your DVDROM Drive supports the ATAPI drive interface and your system should be able to load the appropriate driver for your drive.



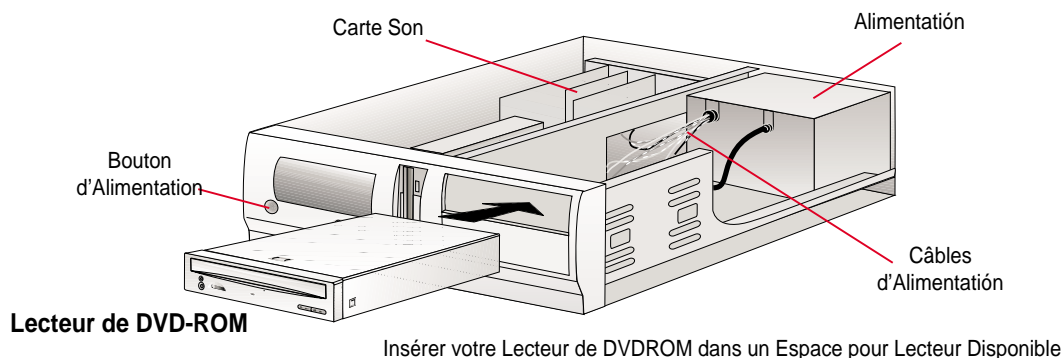
GUIDE D'INSTALLATION RAPIDE

I. Installation du Matériel

1. Eteignez votre ordinateur et ses périphériques, tel que l'imprimante.
2. Reliez vous à la terre par une courroie à votre poignet. A défaut, maintenez le contact de vos deux mains avec un objet lui-même relié à la terre, ou à une partie en métal de votre système.
3. Enlevez le couvercle de votre ordinateur.
4. Réglez votre lecteur en tant que lecteur Maître ou Esclave (choix par défaut) en plaçant le cavalier sur la position désirée.
5. Insérez le lecteur de DVDROM dans l'un des emplacement libre de 5.25 pouces disponible pour les drivers.
6. Connectez un câble d'alimentation inutilisé à l'arrière de votre lecteur de DVDROM.
7. Connectez la nappe 40 broches à l'arrière de votre lecteur de DVDROM. Assurez vous que la bande rouge du câble est aligné avec la broche 1 du connecteur IDE.
8. Si vous possédez une carte son, connectez le câble CD-audio 4 broches à la prise *Analog Audio line out* du lecteur de DVDROM. Si vous n'avez pas de carte son, branchez des écouteurs, casques ou enceintes autonomes à la prise jack du panneau frontal de votre lecteur de DVDROM.
9. Si au cours de l'opération vous avez retiré des éléments autres que votre DVDROM, remettez les en place.
10. Faites glisser votre lecteur de DVDROM dans son emplacement et fixez le au système avec les vis fournies.
11. Remplacez le couvercle de votre ordinateur avec les vis que vous avez enlevées préalablement.
12. Rebranchez l'alimentation électrique.

II. Installation du Logiciel

1. Pour les environnements DOS/Windows 3.x, insérez la disquette d'installation du lecteur de DVDROM pour DOS/Win 3.x dans le lecteur A ou B, tapez **A: install** (ou **B: install**) puis tapez [Entrée], choisissez vos paramètres d'installation et suivez les instruction sur l'écran, redémarrez votre ordinateur après la fin de l'installation.
2. Pour Windows 9x ou Windows NT, Windows détectera et déterminera automatiquement les paramètres présents et installera le bon pilote.
3. Pour les autres systèmes d'exploitation, votre lecteur de DVDROM supporte l'interface ATAPI ce qui permettra à votre système de charger le pilote correspondant à votre lecteur.



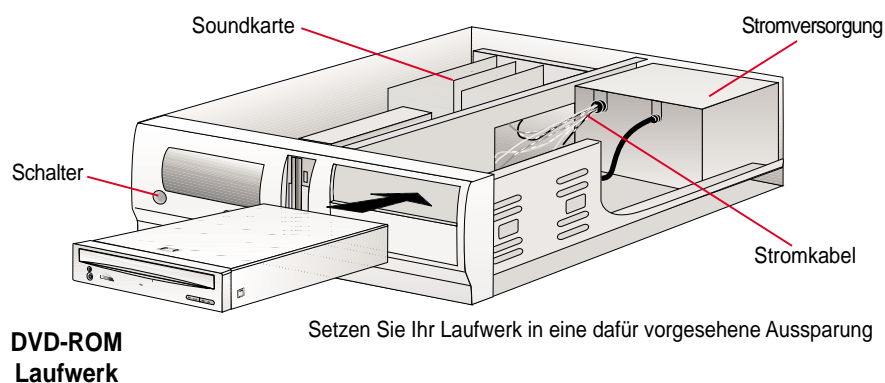
EINFACHE INSTALLATIONANLEITUNG

I. Installation der Hardware

1. Schalten Sie Ihren Computer und periphere Geräte, wie z. B. Drucker, aus.
2. Erden Sie sich durch ein spezielles Band am Handgelenk. Ist ein solches Band nicht verfügbar, sollten Sie ein sicheres, geerdetes Objekt oder ein Objekt aus Metall an Ihrem PC berühren.
3. Entfernen Sie die Abdeckung Ihres Computers.
4. Schließen Sie Ihr Laufwerk entweder als Master oder Slave (default) an, indem Sie den Jumper an die gewünschte Stelle setzen.
5. Setzen Sie das DVDROM-Laufwerk in die dafür vorgesehene Aussparung in Ihrem System.
6. Schließen Sie ein ungenutztes Stromversorgungskabel an Ihrem DVDROM-Laufwerk an.
7. Schließen Sie das 40-pin IDE Kabel an Ihrem DVDROM-Laufwerk an. Vergewissern Sie sich, dass der rote Streifen auf der Seite von Pin 1 des IDE-Anschlusses liegt.
8. Sollten Sie eine Soundkarte haben, schließen Sie das 4-pin CD-Audiokabel am Analog Audio line out-Anschluß des DVDROM-Laufwerks an. Haben Sie keine Soundkarte, schließen Sie einen Kopfhörer oder Lautsprecher an die Lautsprecherbuchse auf der Vorderseite des DVDROM-Laufwerks an. Drehen Sie die Lautstärkeregler des Laufwerks und der Lautsprecher auf Minimum bevor Sie Ihren Computer starten oder neu starten.
9. Falls Sie außer Ihrem DVDROM-Laufwerk noch andere Geräte entfernt haben, setzen Sie diese wieder ein und verbinden Sie mit Ihrem System.
10. Setzen Sie nun Ihr Laufwerk ein und befestigen Sie es mit den mitgelieferten Schrauben.
11. Setzen Sie die Abdeckung wieder auf Ihren Computer und befestigen Sie sie mit den vorher entfernten Schrauben.
12. Schließen Sie die Stromversorgung wieder an.

II. Installation der Software

1. Unter DOS/Windows 3.x legen Sie die Treiberdiskette für DOS/Windows 3.x in Laufwerk A oder B und geben **A:install** (oder **B:install**) ein. Drücken Sie die Enter-Taste und wählen Sie die bevorzugte Setup Option aus. Folgen Sie danach den Anweisungen auf dem Bildschirm und starten Ihren Computer nach Beendigung der Installation erneut.
2. Unter Windows9x oder Windows NT werden automatisch die richtigen Einstellungen vorgenommen und der richtige Treiber installiert.
3. Bei anderen Betriebssystemen unterstützt Ihr DVDROM-Laufwerk das ATAPI-Treiberinterface und Ihr System ist in der Lage, den jeweiligen Treiber für Ihr Laufwerk zu laden.

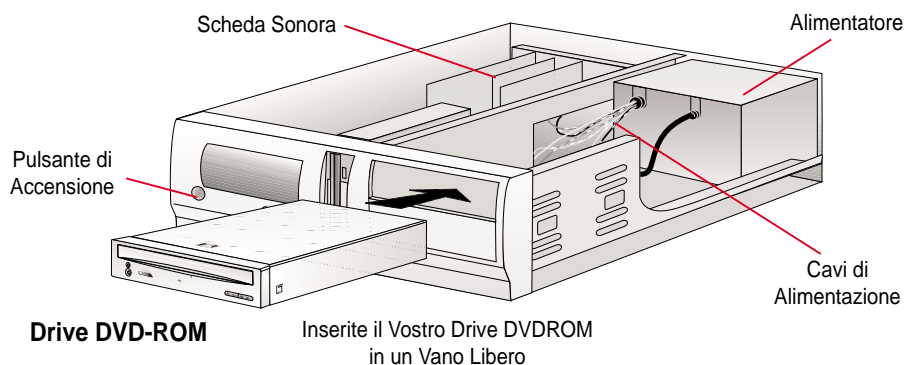


I. Installazione Hardware

1. Spegnete il computer e i dispositivi periferici, quali la stampante.
2. Collegatevi alla massa con un bracciale anti statico. Se non ne avete uno, toccate con entrambe le mani una superficie collegata a terra o una parte metallica del vostro sistema.
3. Aprite il cabinato.
4. Configurate il DVDROM drive come master o come slave (default) spostando il jumper nella posizione adeguata.
5. Inserite il DVDROM drive in un vano da 5,25" libero.
6. Alimentate il DVDROM con un cavo di alimentazione non utilizzato.
7. Connettete il cavo IDE da 40 poli al connettore IDE del DVDROM. Assicuratevi che il lato con la striscia rossa sia allineato al pin 1 del connettore IDE.
8. Se avete una scheda sonora connettete il cavo audio a 4 pin al connettore *Analog Audio line out* del DVDROM. Se non avete una scheda sonora inserite una cuffia o delle casse acustiche all'uscita per cuffie sul pannello frontale del DVDROM.
- Impostate il controllo del volume del drive e delle casse acustiche al minimo prima di avviare il computer.
9. Se avete rimosso altri dispositivi per installare il DVDROM drive rimetteteli al posto e fissateli al computer.
10. Fissate nella giusta posizione il DVDROM tramite le viti fornite.
11. Richiudete il computer.
12. Riconnettete il cavo di alimentazione.

II. Installazione Software

1. Per i sistemi operativi DOS/Windows 3.x, inserite il dischetto con il driver per DOS/Win 3.x nel drive A o drive B, digitate **A: install** (o **B: install**) e premete [Invio], scegliete le opzioni di setup preferite e seguite le istruzioni a schermo. Al termine dell'installazione riavviate il computer.
2. Per Windows 9x o Windows NT, Windows rileverà automaticamente il vostro drive e installerà il driver corretto.
3. Per altri sistemi operativi il drive DVDROM supporta l'interfaccia ATAPI e il vostro sistema dovrebbe essere in grado di caricare il driver appropriato.



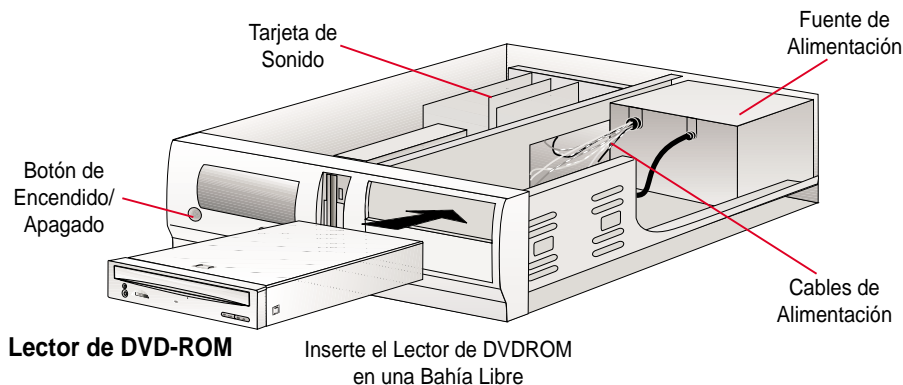
GUÍA DE INSTALACIÓN RÁPIDA

I. Instalación de la Unidad

1. Apague su equipo y los periféricos conectados a él, como, por ejemplo, la impresora.
2. Utilice una muñeca antiestática para evitar dañar el equipo. Si no dispone de una, ponga en contacto ambas manos con un objeto con toma de tierra o con un objeto metálico de su sistema.
3. Retire la cubierta de su ordenador.
4. Configure su unidad como Principal o Subordinada -por defecto- (maestro o esclavo) conectando la salida del cable al conector que desee.
5. Inserte la unidad del DVDROM en una de las bahías de 5.25" libres para unidades de disco.
6. Conecte un cable de alimentación libre en la parte trasera del lector de DVDROM.
7. Conecte el cable plano IDE de 40 pines en la parte posterior de su unidad de DVDROM. Asegúrese de que la franja roja del cable esté alineada con el pin 1 del conector IDE.
8. Si posee usted una tarjeta de sonido, conecte el cable CD audio de 4 pines al conector de salida de audio analógica (*Analog Audio line out*) del lector de DVDROM. Si no dispone de tarjeta de sonido, conecte los auriculares, altavoces o altavoces autoamplificados en la clavija (tipo *jack*) para auriculares localizada en el panel frontal del lector de DVDROM. Configúre los controles de volumen de su unidad y de los altavoces al mínimo antes de iniciar o reiniciar su ordenador.
9. En caso de que hubiese extraído alguna unidad o cualquier otro elemento además de su lector de DVDROM, emplácelos de nuevo en su anterior posición y fíjelos debidamente.
10. Inserte el lector de DVDROM en la posición deseada y fíjelo con los tornillos entregados.
11. Coloque de nuevo la cubierta de su ordenador y fíjela con los tornillos retirados anteriormente.
12. Conecte de nuevo la fuente de alimentación.

II. Instalación del Software

1. Para DOS/Windows 3.x, inserte el disco de instalación para DOS/Win 3.x en las unidades A o B, teclee **A: install** (o **B: install**) y a continuación pulse [Enter], escoja la opción de sistema adecuada y siga las instrucciones en pantalla. Reinicie su ordenador una vez completada la instalación.
2. En Windows 9x o Windows NT, Windows detectará automáticamente la unidad y realizará los ajustes necesarios para el lector de DVDROM, así como la instalación del driver necesario.
3. Para otros sistemas operativos, el lector de DVDROM soporta la interfaz de drive ATAPI y su sistema operativo podrá cargar el driver adecuado para el lector de DVDROM.

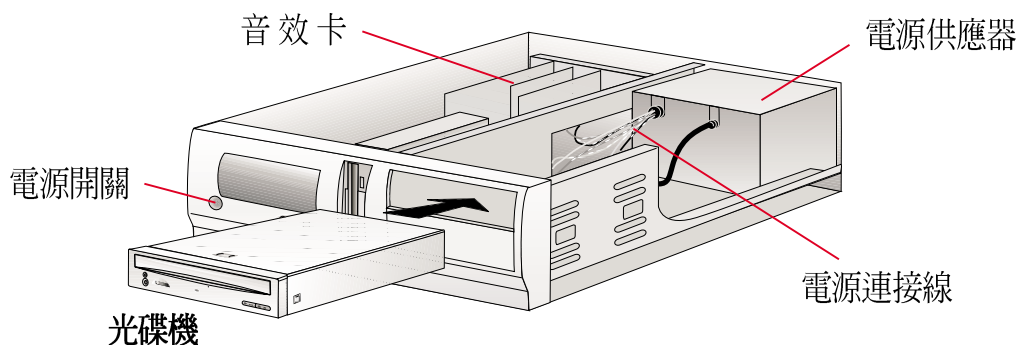


I. 硬體安裝程序

1. 將您的電腦與其它周邊裝置的電源關閉。
2. 用手觸碰安全的接地裝置、將自己處於接地狀態，並用金屬線將電腦與地連接，讓電腦也成為接地狀態。
3. 鬆開電腦外殼螺絲，並將外殼先行移開。
4. 在光碟機背後用跳線帽調整光碟機模式為 Master 或 Slave (內定)。
5. 將光碟機放入空著的 5.25 英吋磁碟機空間。
6. 連接電源線到光碟機背後的電源插座。
7. 連接 40-pin IDE 排線到光碟機背後的 IDE 插座，請確定排線紅色邊緣對準了插座上的 Pin 1。
8. 如果在您的電腦中存在著有音效卡，請在光碟機背後的 *Analog Audio line out* 插座上連接 4-pin 的光碟機音效接線到音效卡上的光碟機專用音效接線插座。如果您的電腦中並沒有音效卡，請將耳機、或是具備放大器的喇叭接線插在光碟機前面的耳機專用插座上。並記得等一下重新開啓電腦時，先將喇叭和光碟機前面的音量控制旋鈕調整到最小。
9. 如果在剛才的安裝程序中曾經移除其它周邊裝置，請將這些裝置放回原來位置，並鎖回剛才鬆開的螺絲。
10. 將光碟機置於最適當位置，然後用包裝中所附的螺絲將之鎖緊。
11. 將電腦外殼復原到原來位置，然後鎖回剛才鬆開的所有螺絲。
12. 重新開啓電腦。

II. 軟體安裝程序

1. DOS/Windows 3.x：將驅動程式安裝磁片放入磁碟機 A 或 B，然後鍵入 **A: install** (或 **B: install**) 然後按下 [Enter] 鍵。在安裝過程中選擇您想要的安裝選項，並跟著剩餘步驟完成驅動程式的安裝，安裝完畢後請重新開啓電腦。
2. Windows 98/95 或 Windows NT：Windows 會自動判斷、並為您安裝光碟機的驅動程式。
3. 其它作業系統：本光碟機支援 ATAPI 介面，您的作業系統將會為您載入適當的驅動程式。



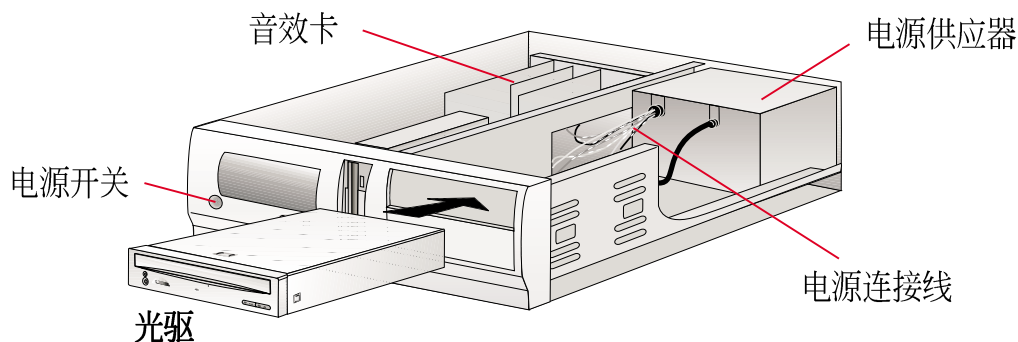
放入空著的 5.25 英吋磁碟機空間

I. 硬件安装程序

1. 将您的电脑与其它周边装置的电源关闭。
2. 用手触碰安全的接地装置、将自己处于接地状态，并用金属线将电脑与地连接，让电脑也成为接地状态。
3. 松开电脑外壳螺丝，并将外壳先行移开。
4. 在光驱背後用跳线帽调整光驱模式为 Master 或 Slave (内定)。
5. 将光驱放入空著的 5.25 英寸软驱空间。
6. 连接电源线到光驱背後的电源插口。
7. 连接 40-pin IDE 排线到光驱背後的 IDE 接口，请确定排线红色边缘对准了接口上的 Pin 1。
8. 如果在您的电脑中存在著有音效卡，请在光驱背後的 *Analog Audio line out* 插口上连接 4-pin 的光驱音效接线到音效卡上的光驱专用音效接线插口。如果您的电脑中并没有音效卡，请将耳机、或是具备放大器的扬声器接线插在光驱前面的耳机专用插口上。并记得等一下重新开启电脑时，先将扬声器和光驱前面的音量控制旋钮调整到最小。
9. 如果在刚才的安装程序中曾经移除其它周边装置，请将这些装置放回原来位置，并锁回刚才松开的螺丝。
10. 将光驱的位置於在最适当位置，然後用包装中所附的螺丝将之锁紧。
11. 将电脑外壳复原到原来位置，然後锁回刚才松开的所有螺丝。
12. 重新开启电脑。

II. 软件安装程序

1. DOS/Windows 3.x: 将驱动程序安装磁盘放入软驱 A 或 B，然後键入 A:
install (或 B:
install) 然後按下 [Enter] 键。在安装过程中选择您想要的安装选项，并跟著剩餘步骤完成驱动程序的安装，安装完毕後请重新开启电脑。
2. Windows 98/95 或 Windows NT: Windows 会自动判断、并为您安装光驱的驱动程序。
3. 其它操作系统: 本光驱支持 ATAPI 介面，您的操作系统将会为您载入适当的驱动程序。



放入空著的 5.25 英寸磁盘空间

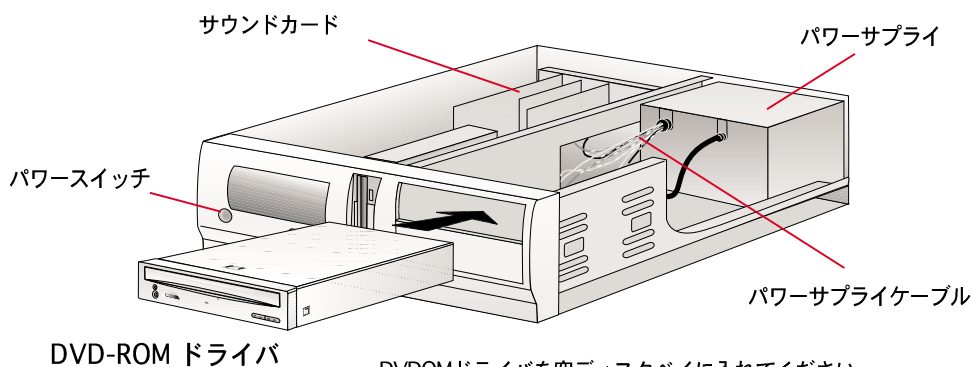
インストール手順

I. ハードウェアのインストール方法

1. コンピュータ及び周辺機器（プリンタなど）のスイッチを切ります。
2. リストストラップなどでグラウンドします。（リストストラップなどが無い場合は、両手をシステムの金属部分に触れて下さい。）
3. コンピュータのカバーを取り外します。
4. ジャンパーにより、マスター及びスレーブを設定します。
5. 5.25インチベイに DVDROM ドライバを取り付けます。
6. 電源ケーブルを取り付けます。
7. IDE フラットケーブルを取り付けます。（ケーブルの赤線をコネクタ側のPin 1に合わせて、取り付けて下さい。）
8. サウンドカードがある場合は、4-Pin CD オーディオケーブルをドライバ側の Analog Audio Line Out コネクタに接続します。（サウンドカードがない場合は、イヤホン、ヘッドホンあるいはアンプ内蔵スピーカーなどをフロントパネルのヘッドホンジャックに接続し、使用してください。また、コンピュータを起動か再起動する際に、必ずボリュームを最小にしておいて下さい。）
9. DVDROM 以外のドライバなどを取り外した場合、元に戻します。
10. 付属のネジでドライバをシステムに取り付けます。
11. カバーを戻します。
12. 電源を入れます。

II. ソフトウェアインストール

1. DOS 及び Windows 3.1 の場合、ドライバ A（または B）に DVDROM ドライバ for DOS/Windows 3.1 のディスクを入れ、A : Install（あるいは B : Install）とタイプし、Enter を押します。好みのセットアップオプションを選択し、画面の指示に従いインストールします。インストールが終わったら、再起動します。
2. Windows 95 及び NT の場合、ドライバは自動的に検出され、ドライバのインストールが行われます。
3. その他の OS の場合、ATAPI ドライバインターフェイスをサポートしていれば、システムに最適なドライバを Load します。



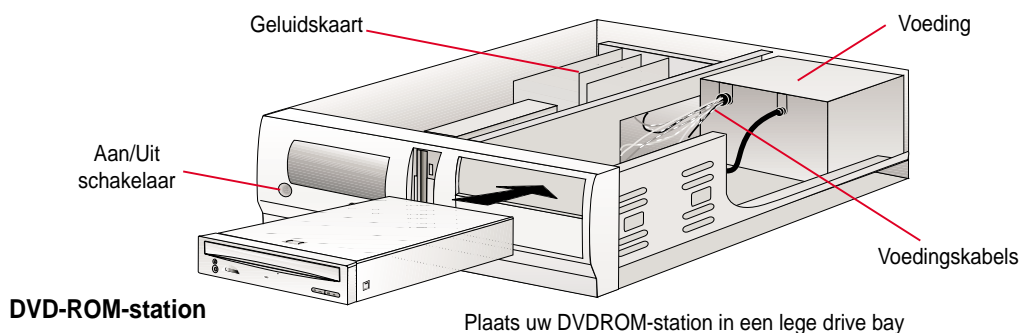
SNELLE INSTALLATIEGIDS

I. Installatie van de hardware

1. Schakel de computer en de randapparatuur, zoals uw printer uit.
2. Aard uzelf aan de hand van een polsband. Indien u deze niet heeft, houdt dan uw beide handen op een veilig geaard voorwerp of op een metalen onderdeel dat zich op uw systeem bevindt.
3. Verwijder de omhuizing van uw computer.
4. Stel uw DVDROM-station in als "Master" of "Slave" (standaardinstelling) door het jumperkapje op de gewenste jumper te plaatsen.
5. Plaats het DVDROM-station in één van de lege 5,25-inch bays, bestemd voor het installeren van een schijfstation.
6. Verbindt een ongebruikte interne voedingskabel met de achterkant van het DVDROM-station.
7. Verbindt de 40-pins IDE-kabel met de achterkant van uw DVDROM-station. Zorg ervoor dat de rode streep op de kabel zich op één lijn bevindt met Pin 1 van de IDE-connector.
8. Indien u een geluidskaart heeft, verbindt dan de 4-pins CD audio-kabel met de *Analog Audio line out* (Analoge audio lijnuitgang) connector van uw DVDROM-station. Indien u geen geluidskaart heeft, verbindt dan de hoofdtelefoon of de luidsprekers (met eigen voeding en ingebouwde versterker) met de hoofdtelefoonaansluiting, die zich aan de voorkant van het DVDROM-station bevindt. Regel het volume van uw DVDROM-station en uw luidsprekers af op het minimum niveau alvorens de computer opnieuw op te starten.
9. Indien u voordien enige stations of andere elementen verwijderd heeft, plaats deze dan terug en zet deze weer in uw computer vast.
10. Schuif het DVDROM-station op haar plaats en zet het vast met behulp van de meegeleverde schroeven.
11. Plaats de omhuizing terug op uw computer en maak het vast met de voordien losgemaakte schroeven.
12. Verbindt de stroomvoorziening opnieuw.

II. Installatie van de software

1. Bij de installatie onder DOS/Windows 3.x, moet u de installatiediskette met het stuurprogramma voor DOS/Win 3.x in het station A of B plaatsen, vervolgens **A: install** (of **B: install**) typen en op [Enter] drukken. Kies de gewenste configuratie en volg de instructies die op het scherm verschijnen. Start uw computer opnieuw op wanneer de installatie voltooid is.
2. Bij de installatie onder Windows 9x of Windows NT, zal Windows automatisch de huidige instellingen voor uw DVDROM-station detecteren en vervolgens het correcte stuurprogramma installeren.
3. Het DVDROM-station ondersteunt de ATAPI drive interface, zodat het systeem het juiste stuurprogramma zal laden bij de installatie onder andere besturingssystemen.

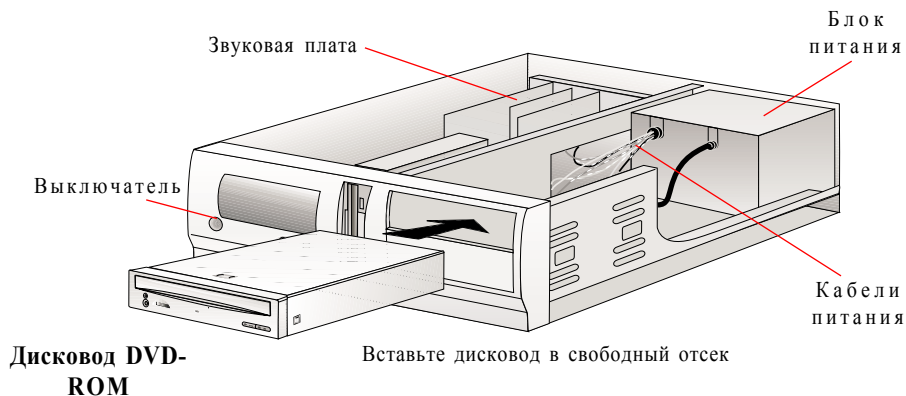


I. Установка аппаратуры

1. Выключите компьютер и периферийные устройства, такие как принтер.
2. Наденьте защитный браслет для заземления. Если у вас нет браслета, прикоснитесь обеими руками к надежно заземленному объекту или к металлической части компьютера.
3. Снимите с компьютера крышку.
4. Задайте для дисководов режим работы: основной (Master) или вспомогательный (Slave—выбирается по умолчанию) путем соответствующей установки переключки.
5. Вставьте дисковод в один из свободных отсеков, предназначенных для установки 5,25-дюймовых дисководов.
6. Подсоедините к задней стороне дисководов свободный кабель питания.
7. Подсоедините к задней стороне дисководов 40-контактный IDE-кабель (шлейф). При этом красная полоска на кабеле должна быть совмещена с контактом 1 IDE-разъема.
8. Если у вас есть звуковая плата, подсоедините 4-контактный аудиокабель к разъему дисководов, соответствующему аналоговому выходу. Если у вас нет звуковой платы, подключите наушники или динамики к разъему для головного телефона, расположенному на передней панели дисководов. Прежде чем включать или перезапускать компьютер, установите минимальный уровень громкости для дисководов и динамиков.
9. Если вы предварительно извлекли из компьютера какой-либо дисковод или другое устройство (кроме дисковода DVD-ROM), верните их на место и надежно закрепите.
10. Вставьте на место дисковод DVD-ROM и закрепите его прилагаемыми винтами.
11. Верните на место крышку компьютера и закрепите ее винтами, которые вы ранее сняли.
12. Снова подключите блок питания.

II. Установка программного обеспечения

1. Для DOS или Windows 3.x вставьте в дисковод A или B установочную дискету к DVD-ROM Driver for DOS/Win 3.x, напечатайте **A: install** (или **B: install**) и нажмите на клавишу **Enter**.
2. Система Windows 9x или Windows NT автоматически обнаружит дисковод, определит его текущие параметры и установит нужный драйвер.
3. Для работы с другими операционными системами дисковод DVD-ROM поддерживает интерфейс дисководов ATAPI, а задача системы — загрузить необходимый для дисковода драйвер.

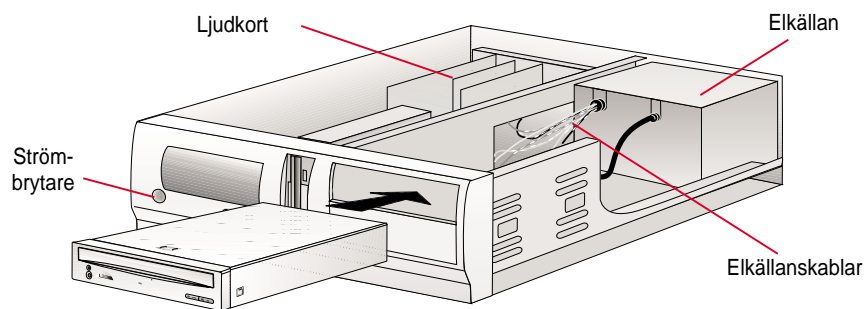


I. Maskinvaruinstallation

1. Stäng av datorn och kringutrustningen, liksom skrivaren.
2. Jorda dig genom att använda ett armband på handleden. Om du inte har det, beröra med båda händer ett säkert jordat objekt eller ett metallobjekt av systemet.
3. Ta bort luckan av din dator.
4. Ange din enhet som antingen Primär eller Sekundär (standard) enhet genom att placera bygelisolator på den önskade bygeln.
5. Infoga DVDROM-enhet i ett av de lediga 5.25-tumsutrymme avsett för diskenheter.
6. Ansluta en elkabel som inte används vid tillfället till baksidan av din DVDROM-enhet.
7. Ansluta 40-stiftars IDE-bandkabel till baksidan av din DVDROM-enhet. Kontrollera att den röda tråden justeras till Stift 1 av IDE-kontakten.
8. Om du har ljudkort ansluta 4-stiftars CD-ljudkabel till *Analog Audio line out* kontakten på DVDROM-enhet. Om du inte har ljudkort, sätt in hörlurar eller högtalarna med separat elkällan i Hörlurarsuttaget på DVDROM-enhets frampanelen. Ställ in volym av din enhet och högtalarna med separat elkällan på minimum innan du startar eller startar om din dator.
9. Om du har tagit bort några enheter eller andra delar förutom DVDROM-enheten, återplacera dem och kontrollera att dem sitter fast.
10. Sätt in din DVDROM-enhet i utrymmet och fastskruva den till systemet med de befintliga skruvorna.
11. Återplacera luckan på din dator och fastskruva den med de skruvor som du har tagit bort innan.
12. Koppla upp elkällan.

II. Mjukvaruinstallation

1. För DOS/Windows 3.x, sätt in installationsdisk med DVDROM drivrutin för DOS/Win 3.x i antingen enhet A eller enhet B, ange **A: install** (eller **B: install**) och tryck på [Enter] sedan, välj passende inställningsalternativet och följ direktiv på skärmen, sedan starta om din dator efter du är färdig med installationen.
2. För Windows 9x eller Windows NT, Windows ska upptäcka och avgöra de aktuella inställningarna av din enhet och installera den korrekta drivrutinen automatiskt.
3. För andra operativsystem, din DVDROM-enhet stöder ATAPI enhetsgränssnitt och systemet måste kunna ladda den passende drivrutinen för din enhet.



DVD-ROM-enhet

Sätt in din DVDROM-enhet i ett ledigt enhetsutrymme.

TÜRKÇE

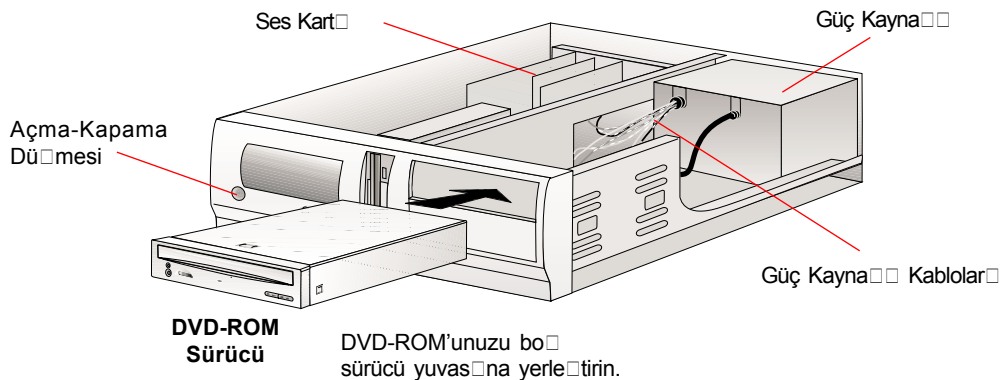
ÇABUK KURULUM KILAVUZU

I. Donanım Kurulumu

1. Bilgisayarın ve yazıcı gibi çevresel aygıtları kapatın.
2. Topraklama için kullanılabilecek bir bileklik ile kendinizi topraklayın. Eğer yoksa, iki elinizi de topraklanabilir bir nesneye veya sisteminizdeki metal bir nesneye dokundurun.
3. Bilgisayarın kasaını açın.
4. Jumper'ın ilgili yere takarak sürücünüzü Master veya Slave (varsayılan) durumuna getirin.
5. DVD-ROM sürücüyü, disk sürücüler için ayrılmış boş 5.25 inçlik yuvalardan birisine yerleştirin.
6. Kullanılmayan bir güç kaynağı kablosunu DVD-ROM sürücünüzün arkasına takın.
7. 40-pin'lik IDE kablosunu DVD-ROM sürücünüzün arkasına takın. Kablodaki kırmızı çizginin, IDE bağlantısındaki Pin 1'e geldiğinden emin olun.
8. Bir ses kartı varsa, 4-pin'lik CD ses kablosunu DVD-ROM sürücünün Analog Ses Çıkışı bağlantısına takın. Ses kartı yoksa, kulaklık veya hoparlörlerinizi, DVD-ROM sürücünüzün ön panelindeki kulaklık girişine takın. Sisteminizi çalıştırmadan önce sürücünün ve hoparlörlerin ses seviyesini minimuma getirin.
9. DVD-ROM sürücünüz haricindeki bir sürücü veya başka bir parçayı çıkartırsanız, onları tekrar yerlerine yerleştirin ve samlamlayın.
10. DVD-ROM sürücüsünü tam olarak yerine yerleştirin ve paketteki vidalarla samlamlayın.
11. Sisteminizi kasaını kapatın ve önceden çıkarttığınız vidaları kasaına samlamlayın.
12. Güç kaynağını tekrar bağlayın.

II. Yazılım Kurulumu

1. DOS/Windows 3.x için, A veya B sürücünüze DOS/Win 3.x için DVD-ROM Sürücüsü Kurulum disketini takın ve **A: install** (veya **B: install**) yazarak [Enter]'a basın. Tercih ettiğiniz kurulum opsiyonunu seçin, ekrandaki komutları takip edin ve kurulum bittiğinde sisteminizi yeniden başlatın.
2. Windows 9x veya Windows NT, sürücünüz için otomatik olarak gerekli ayarları tespit edecek ve doğru sürücüyü yükleyecektir.
3. DVD-ROM sürücünüz ATAPI sürücü arabirimini desteklediğinden dolayı, diğer iletişim sistemleri de sürücünüz için uygun sürücüyü yükleyecektir.





DVD-ROM Drive

ATAPI / Enhanced IDE Interface

ASUS CONTACT INFORMATION

ASUSTeK COMPUTER INC. (Asia-Pacific)

Marketing

Address: 150 Li-Te Road
Peitou, Taipei, Taiwan 112
Telephone: +886-2-2894-3447
Fax: +886-2-2894-3449
Email: info@asus.com.tw

Technical Support

Telephone: +886-2-2890-7123 (English)
Telephone: +886-2-2890-7113 (Chinese)
Fax: +886-2-2890-7698
Email: tsd@asus.com.tw
Newsgroup: cscnews.asus.com.tw
WWW: www.asus.com.tw
FTP: ftp.asus.com.tw/pub/ASUS

ASUS COMPUTER INTERNATIONAL

Marketing

Address: 6737 Mowry Avenue
Mowry Business Center, Building 2
Newark, CA 94560, USA
Fax: +1-510-608-4555
Email: info-usa@asus.com.tw

Technical Support

Fax: +1-510-608-4555
BBS: +1-510-739-3774
Email: tsd@asus.com
WWW: www.asus.com
FTP: ftp.asus.com/Pub/ASUS

ASUS COMPUTER GmbH

Marketing

Address: Harkortstr. 25
40880 Ratingen, BRD, Germany
Fax: +49-2102-4420-66
Email: sales@asuscom.de

Technical Support

Hotline: +49-2102-9599-0
Fax: +49-2102-9599-11
Online Support: www.asuscom.de/de/support
WWW: www.asuscom.de
FTP: ftp.asuscom.de/pub/ASUSCOM

USER'S MANUAL

Rev. 1.03
P/N 15-066010003

Free Manuals Download Website

<http://myh66.com>

<http://usermanuals.us>

<http://www.somanuals.com>

<http://www.4manuals.cc>

<http://www.manual-lib.com>

<http://www.404manual.com>

<http://www.luxmanual.com>

<http://aubethermostatmanual.com>

Golf course search by state

<http://golfingnear.com>

Email search by domain

<http://emailbydomain.com>

Auto manuals search

<http://auto.somanuals.com>

TV manuals search

<http://tv.somanuals.com>