

Antec



One / One S /
One S3

User
Manual

One / One S / One S3 User Manual

Congratulations on your purchase of your Antec One / One S / One S3!

When building a PC, it's important to use hardware you're comfortable working with. From Antec, the team behind dozens of award-winning enclosures since 1986, comes the One / One S / One S3, the gaming case that gives you everything you need right out of the box at an attractive price. This enclosure is stocked with features you value – USB 3.0, ample cooling and tool-less 5.25" & 3.5" drive bays – so that you can put your PC together with ease and get to the fun stuff. If you're looking for high quality gaming essentials at an affordable cost, then this enclosure is the One for you.

The One / One S / One S3 does not include a power supply. Make sure you choose a power supply that is compatible with your computer components and has a long enough power harness to reach your motherboard and peripheral devices. We recommend our High Current Gamer or Earthwatts power supplies for the latest ATX specification compliance, broad compatibility, and power savings capability.

At Antec, we continually refine and improve our products to ensure the highest quality. As such, your new chassis may differ slightly from the description in this manual due to improvements applied for the optimal building experience. As of the date of publication, all features, descriptions, and illustrations in this manual are correct.

Disclaimer

This manual is intended only as a guide for Antec's computer enclosures. For more comprehensive instructions on installing the motherboard and peripherals, please refer to the manuals that come with those components.

Table of Contents

Section 1: Introduction

1.1	Getting to Know Your Chassis	5
1.2	Chassis Specifications.....	6
1.3	Included Screws	7

Section 2: Hardware Installation

2.1	Setting Up	9
2.2	Removing the Side Panels and Front Bezel.....	9
2.3	Motherboard Installation.....	10
2.4	Installing KUEHLER H ₂ O Liquid Coolers.....	11
2.5	Power Supply Installation	11
2.6	External 5.25" Device Installation.....	12
2.7	Internal 2.5" Device Installation	13
2.8	Internal 3.5" Device Installation	14
2.9	Cable Management.....	14

Section 3: Front I/O Ports

3.1	USB 3.0.....	16
3.2	AC'97 / HD Audio Ports.....	16
3.3	Power Switch / Reset Switch / Hard Disk Drive LED Connectors.....	17
3.4	Rewiring Motherboard Header Connections.....	18

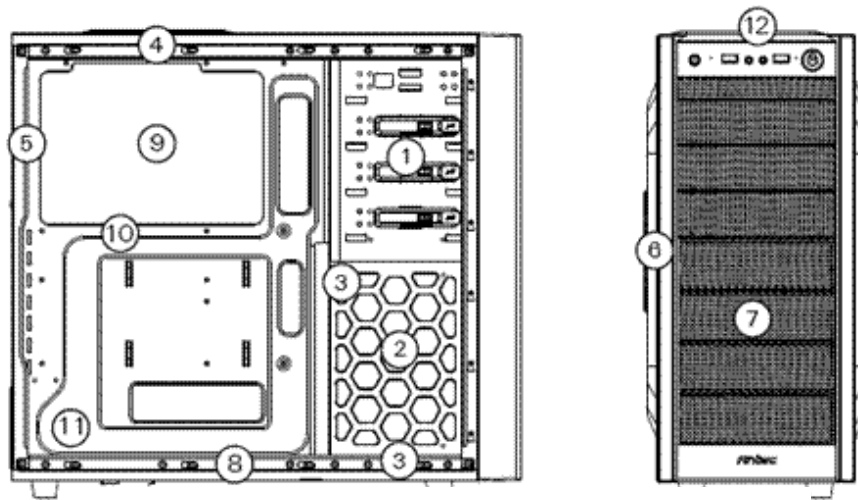
Section 4: Cooling System

4.1	Included Fans	20
4.2	Optional Fans	21
4.3	Air Filters	22

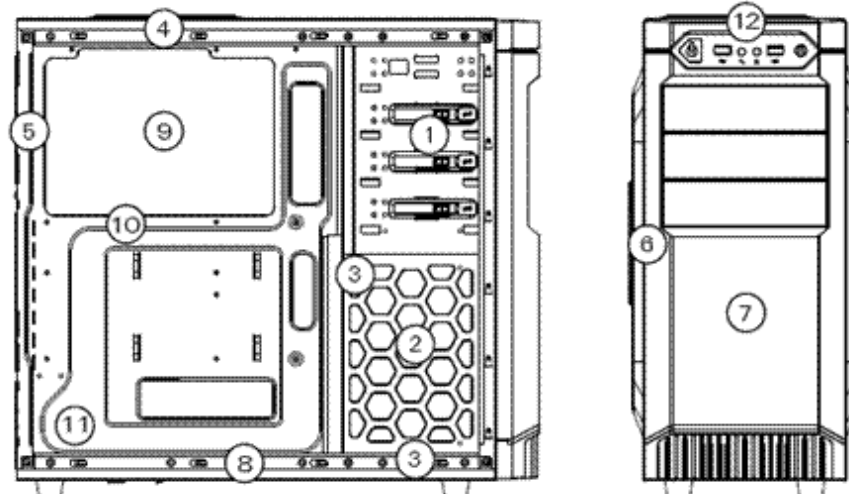
Section 1

Introduction

One / One S / One S3 User Manual



One



One S / One S3

1. 3 x 5.25" drive bays
2. 5 x 3.5" drive bays
3. 2 x 2.5" drive bays
4. 1 x 120 mm top exhaust fan (standard)
5. 1 x 120 mm rear exhaust fan (standard)
6. 1 x 120 mm side intake fan (optional)
7. 1 x 120 mm front intake fan (optional)
8. 1 x 120/140 mm bottom intake fan (optional)
9. CPU cutout
10. Motherboard mount: Standard ATX, microATX or Mini-ITX
11. Power supply mount
12. Front ports: 2 x USB 3.0, Audio In/Out

1.2

Chassis Specifications

Chassis Type	Mid Tower
Chassis Color	Black
Dimensions	17.2" (H) x 8.2" (W) x 19.2" (D) 438 mm (H) x 208 mm (W) x 488 mm (D)
Weight	One: 10.8 lbs / 4.9 kg One S / One S3: 10.4 lbs / 4.7 kg
Cooling	One: <ul style="list-style-type: none"> - 1 x 120 mm top exhaust fan - 1 x 120 mm rear exhaust fan - 1 x 120 mm side intake fan (optional) - 1 x 120 mm front intake fan (optional) - 1 x 120 mm / 140 mm bottom fan (optional) One S / One S3: <ul style="list-style-type: none"> - 1 x 120 mm top blue LED exhaust fan - 1 x 120 mm rear exhaust fan (optional) - 1 x 120 mm side intake fan (optional) - 1 x 120 mm front intake fan (optional) - 1 x 120 mm / 140 mm bottom fan (optional)
Drive Bays	- 3 x 5.25" tool-less drive bays - 5 x 3.5" tool-less drive bays - 2 x 2.5" drive-bays
Expansion Slots	7
Motherboard Size	Standard ATX, microATX, Mini-ITX
Front I/O Panel	- Audio In/Out - Power and Reset buttons One / One S3: - 2 x USB 3.0 with internal motherboard connector One S: - 2 x USB 2.0 ports

1.3

Included Screws

An inventory of all screws and intended usage and quantity is provided here:

- A. PSU screws (10)
- B. Motherboard standoffs
(3:4 preinstalled)
- C. Motherboard screw (9)
- D. 5.25"/2.5" optional drive screw (10)
- E. Front panel fan screws (2)
- F. Drive bay rails for 3.5"
(5 pairs)
- G. Zip ties (2)
- H. Standard fan screws (4)

A

B

C

D

E

F

G

H

Section 2

Hardware Installation

One / One S / One S3 User Manual

2.1 Setting Up

When working in your case, please keep the following in mind:

- Put the case upright on a flat, stable surface so that the rear panel (power supply and expansion slots) is facing you.
- Handle all components and cards with care.
- To avoid electrostatic discharge, ground yourself periodically by touching an unpainted metal surface or by using a wrist grounding strap.
- Before you connect a cable, ensure that both connectors are correctly aligned and oriented.
- Do not sit on your chassis. Although it is constructed of heavy-duty steel and internally reinforced, it is not designed to support the weight of an adult, and may buckle.
- Do not use your fingernails to separate edges or lift the sides of the chassis, as paint chipping or injury may occur.
- Place the panel thumbscrews aside in a safe place.
- Exercise caution and control when handling chassis interiors. We strongly recommend taking the appropriate time and care when working inside the chassis. Avoid hurried or careless motions.

2.2 Removing the Side Panels and Front Bezel

To remove the left and right side panels:

1. Remove each set of two thumbscrews.
2. Slide the panel you want to remove toward the back of the case approximately 2 cm until it stops.
3. Pull the panel free of the chassis.

You need to remove the front bezel in order to access the air filters and conduct maintenance.

To remove the front bezel:

1. Grip the bezel by the bottom and pull forward. The bezel will pop free of the chassis.

2.3 Motherboard Installation

Before proceeding, check the manual for your CPU cooler to find out if there are steps you must do before installing the motherboard.

Make sure you have the correct I/O panel for your motherboard. If the panel provided with the chassis isn't suitable, please contact your motherboard manufacturer for the correct I/O panel.



Make sure you have the correct I/O panel.

This case comes with 5 preinstalled motherboard standoffs. These are positioned for Standard ATX motherboards but can be relocated to accommodate other form factors.

1. Align the motherboard with the standoff holes on the motherboard tray and remember or mark which holes are lined up.
2. Install standoffs as needed and put the motherboard in.
3. Screw your motherboard into the standoffs with the provided motherboard mounting screws.

2.4 Installing KUEHLER H₂O Liquid Coolers

The following instructs how to install the Antec KUEHLER H₂O liquid CPU cooler (620 / 920). For any other CPU coolers, please consult your manufacturer's installation guide.

Caution:

Check your motherboard's CPU socket to ensure its compatibility with the KUEHLER H₂O. The KUEHLER H₂O 620 / 920 is compatible with the following CPU sockets:

Intel® LGA 1155 / 1156 / 1366 / 2011*

AMD® AM2 / AM3 / AM2+ / AM3+

*Your unit may not contain the LGA 2011 mounting bracket. To receive this bracket, please contact Antec customer support (information is listed at end of manual).

**Be sure to install the KUEHLER H₂O with the end of the tubes positioned at the bottom of the radiator.

1. Remove the rear fan by unscrewing the fan from the back of the chassis.
2. Preparing the KUEHLER H₂O backplate is specific to your CPU socket. Please refer to the KUEHLER H₂O installation guide, available at http://www.antec.com/Believe_it/product.php?id=Mjc2OCYxNw== (KUEHLER H₂O 620) or http://www.antec.com/Believe_it/product.php?id=NzA0MzcwJjE3 (KUEHLER H₂O 920) for more information.
3. Prepare the retention ring according to the CPU socket you're using.
4. Complete installation according to the KUEHLER H₂O instructions.

2.5 Power Supply Installation

1. With the case upright, place the power supply in the case and align the rear of the unit with the mounting holes.
2. Attach the power supply to the case with the screws provided.

Attach the power supply with the provided screws.

2.6

External 5.25" Device Installation

The One / One S / One S3 can support up to three 5.25" devices.

1. Remove the side panels and front bezel as directed in Section 2.2.
2. Remove the drive bay cover by pressing out on the two small tabs on either side of the cover, then pushing the cover into the front of the bezel.
3. Replace the front bezel on the front of the chassis.
4. Slide your 5.25" drive through the front of the chassis until it lines up flush with the front bezel. You will feel the drive lock into position.
5. If you need more clearance on the inside of the chassis for your drive, pull the drive bay tab on the inside of the chassis toward you and push the drive in further.

Note: You can optionally secure your drive with screws for extra stability (D in Section 1.3)

Slide you drive until it locks.

Pull on the tab to adjust drive bay clearance.

2.7 Internal 2.5" Device Installation

There are two 2.5" drive mounting locations in the One / One S / One S3: at the base of the drive cage and a dedicated mount in the middle of the drive cage.

To install at the base of the drive cage:

1. Remove the side panels as described in Section 2.2.
2. Secure your drive with the 2.5" screws provided (D in Section 1.3). Your drive will attach at the base of the drive cage at the bottom of the case, with screws affixing from the underside of the case.

To install in the drive cage:

Note: The 2.5" drives install from the right side of the case.

1. Remove the side panels as described in Section 2.2.
2. Insert your device into the dedicated drive bay, with the connectors facing you.
3. You can optionally secure the drive to the cage with the 2.5" screws provided (D in Section 1.3)

Align your drive's holes with the drive bay holes when sliding it in.

Secure your drive with the provided 2.5" screws.

2.8 Internal 3.5" Device Installation

The One / One S / One S3 includes 5 pairs of 3.5" drive rails. You will need 1 pair per 3.5" drive.

1. Line up the drive rail pins to the sides of your 3.5" drive. Ensure that the squeeze-tabs are aligned on the side of your drive that does not have power or data connectors.
2. Snap the rail into place.
3. Repeat steps 1-2 for the other side of the 3.5" drive.
4. Pinch the ends of the drive rails together and slide the drive into the 3.5" bay until it locks into position.

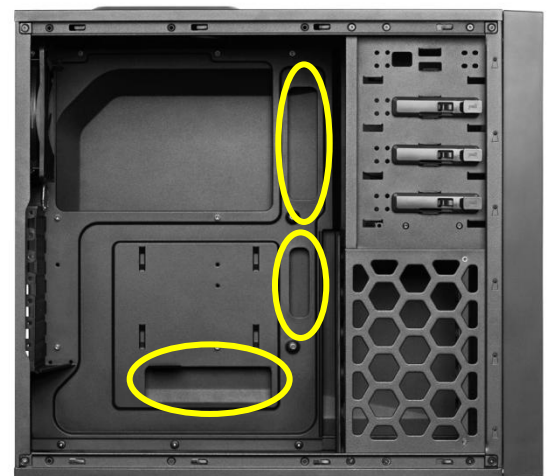


Pinch the ends of the drive rails and then slide your drive into the 3.5" bay until it locks into position.

2.9 Cable Management

There is a cable management compartment between the motherboard and right side panel. You can tuck excess cables in this compartment or route them to the drive bays through one of the four conveniently-placed cable management holes.

Choose the cables you would like to pass through the holes behind the motherboard tray. Pull them through the hole toward the right side of the case. Feed the cables back through the insertion point nearest the destination of the cable.



Section 3

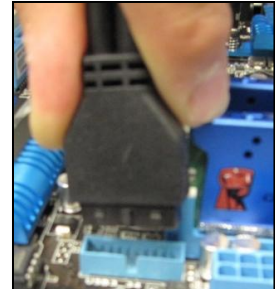
Front I/O Ports

One / One S / One S3 User Manual

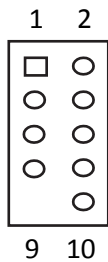
3.1 USB Ports

One / One S3: The One and One S3 come with two front panel USB 3.0 ports and includes an internal motherboard connector. Connect these in the same way you would a standard front panel with an internal header connector.

One S: The One S comes with two front panel USB 2.0 ports. Connect these in the same way you would a standard front panel with an internal header connector.



Align the connector properly to prevent damage to your motherboard.

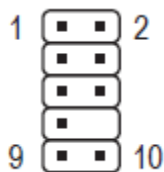


Pin	Signal Names	Pin	Signal Names
1	USB Power 1	2	USB Power 2
3	Negative Signal 1	4	Negative Signal 2
5	Positive Signal 1	6	Positive Signal 2
7	Ground 1	8	Ground 2
9	Key (No Connection)	10	Empty Pin

USB 2.0 pin assignments

3.2 AC'97 / HD Audio Ports

There is an Intel® standard 10-pin AC'97 connector and an Intel® 10-pin HDA (High Definition Audio) connector linked to the front panel of the chassis.

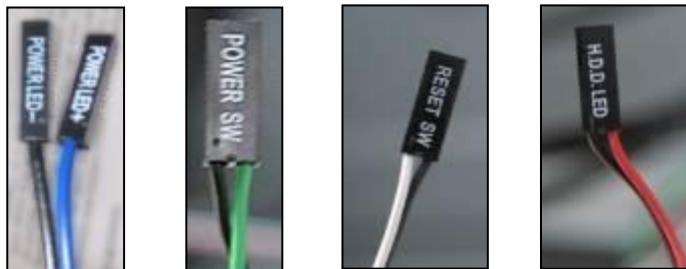


Pin	Signal Names (HDA)	Pin	Signal Names (AC'97)
1	MIC2L	1	MIC In
2	AGND	2	GND
3	MIC2R	3	MIC Power
4	AVCC	4	NC
5	FRO-R	5	Line Out(R)
6	MIC2_JD	6	Line Out(R)
7	F_IO_SEN	7	NC
8	Key (no pin)	8	Key (no pin)
9	FRO-L	9	Line Out(L)
10	LINE2_JD	10	Line Out(L)

You can connect either the AC'97 or the HDA connector, depending on your motherboard. Locate the internal audio connectors from your motherboard or sound card and connect the corresponding audio cable. Consult your motherboard or sound card manual for the pin-out positions. Even if your system supports both standards, only use one connector.

3.3 Power Switch / Reset Switch / Hard Disk Drive LED Connectors

Connected to your front panel are LED leads for power and HDD activity, as well as switch leads for the power and reset buttons. Attach these to the corresponding connectors on your motherboard. Consult your motherboard manual for specific pin header locations. For LEDs, colored wires are positive (+). White or black wires are negative (-). If the LED does not light up when the system is powered on, try reversing the connection. For more information on connecting LEDs to your motherboard, see your motherboard user's manual.



Front panel leads

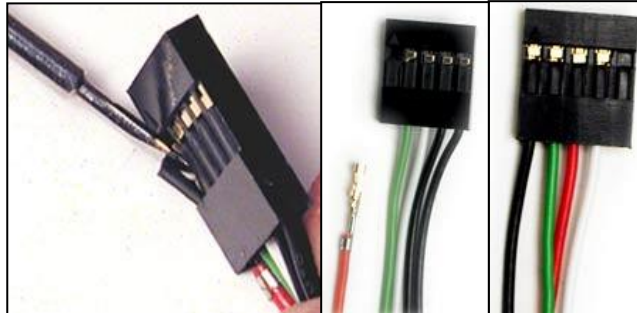
Note: Polarity (positive and negative) does not matter for switches.

3.4

Rewiring Motherboard Header Connections

There may come a time when you need to reconfigure the pin-out of a motherboard header connector. Examples could be for your USB header, audio input header, or some other front panel connector such as the Power Button connector.

Before performing any work, please refer to your motherboard user's manual or your motherboard manufacturer's website to confirm the pin-out needed for your connector. We strongly recommend making a notated drawing before beginning work so that you can recover if your work gets disturbed.



Front panel headers

Determine which wires you need to remove in order to rewire your plug to match the USB pin-outs on your motherboard (refer to your motherboard user's manual). Working on one connector at a time, use a very small flathead screwdriver or similar tool to lift up on the black tab located beside the gold posts (squares). This will allow you to easily slide out the pins from the USB plug.

Working carefully so as not to damage the wires, connectors, or pins, slowly remove the pin from the connector. Repeat these steps for each wire you need to change.

Working carefully so as not to damage the wires, connectors or pins, slowly insert the pin into the correct slot of the connector then snap closed the black tab that was lifted in step 1. Repeat these steps for each wire you need to change.

Section 4

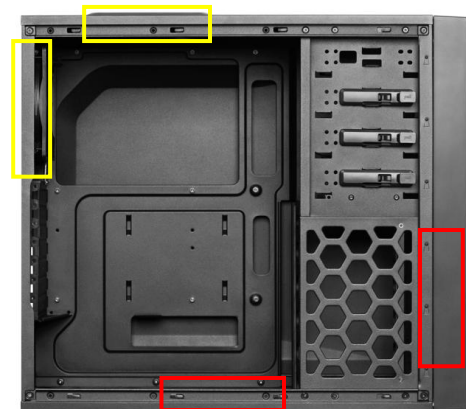
Cooling System

One / One S / One S3 User Manual

4.1 Included Fans

One: The One comes with two standard fans (yellow outline) – a rear 120 mm exhaust fan and a top 120 mm exhaust fan.

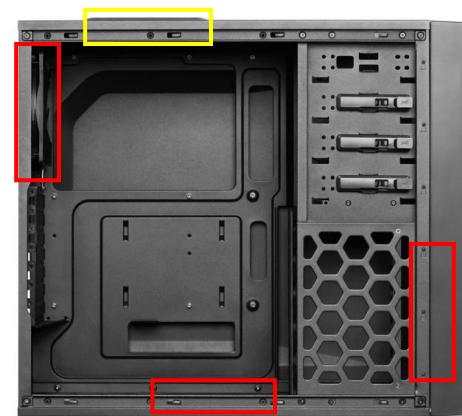
The red rectangles indicate additional fan mounts. Mounting procedures for these fans is discussed in Section 4.2.



One fan locations

One S / One S3: The One S and One S3 come with one standard fan (yellow outline) – a top 120 mm blue LED exhaust fan.

The red rectangles indicate additional fan mounts. Mounting procedures for these fans is discussed in Section 4.2.



One S / One S3 fan locations

120 mm Single Speed Fan Specifications

Size: 120 x 25 mm fan
 Rated Voltage: 12V
 Operating Voltage: 10.8V ~ 13.2V

Speed (RPM)	Input Current	Airflow	Static Pressure	Acoustic Noise	Input Power
1200	0.20A (Max.)	1.2 m ³ / min (42.6 CFM)	1.0 mm-H ₂ O (0.04 inch-H ₂ O)	23.7 dBA	2.4W

4.2 Optional Fans

One: The One includes mounts for up to three more fans. These mounts are as follows:

- 1 x front intake 120 mm mount
- 1 x side 120 mm mount
- 1 x bottom 120/140 mm mount

One S / One S3: The One S / One S3 includes mounts for up to four more fans. These mounts are as follows:

- 1 x front intake 120 mm mount
- 1 x side 120 mm mount
- 1 x bottom 120/140 mm mount
- 1 x rear 120 mm mount

Front intake 120 mm fan

1. Remove the front bezel as outlined in Section 2.2.
2. Align the fan with the screw holes and screw in the fan in the top-left and lower-right holes (as pictured).
3. Screw in the long fan screws (E in Section 1.3).

Screw in the fan in the top-left and lower-right holes.

Side 120 mm fan

On the left panel, there is a 120 mm fan mount for additional graphics cards cooling.

1. Remove the left side panel as outlined in Section 2.2.
2. Align your fan with the mounting holes. The fan should be installed with air blowing into the case.
3. Screw in the fan with the included screws (H in Section 1.3).

Screw the side fan into place by first aligning it with the fan screw holes.

Bottom 120/140 mm fan

At the base of the case, there is a fan mount that can fit either a 120 mm or 140 mm fan for additional air intake.

1. Remove the left side panel as outlined in Section 2.2. Rest the case on its side so you have access to both sides of the fan mount.
2. Align your fan with the mounting holes. The fan should be installed on the inside of the case, with air blowing in.
3. Screw in the fan with the included screws (H in section 1.3).

Screw the bottom fan into place by first aligning it with the bottom screw holes.

Rear 120 mm fan – One S / One S3 only

A rear exhaust fan can be installed for additional airflow out of the case.

1. Remove the left side panel as outlined in Section 2.2.
2. Align your fan with the mounting holes. The fan should be installed with air blowing out of the case.
3. Screw in the fan with the included screws (H in section 1.3).

Screw the rear fan into place by first aligning it with the rear screw holes.

4.3 PSU Air Filter

The One / One S / One S3 features a PSU air intake filter that can be removed and cleaned.

To remove the PSU filter:

1. Pull the filter out toward you using the tab at the back of the chassis.

Pull the filter toward you using the tab outside the chassis.

Antec, Inc.

47900 Fremont Blvd.
Fremont, CA94538
tel: 510-770-1200
fax: 510-770-1288

Antec Europe B.V.

Stuttgartstraat 12
3047 AS Rotterdam
The Netherlands
tel: +31 (0) 10 462-2060
fax: +31 (0) 10 437-1752

Technical Support

US & Canada
1-800-22ANTEC
nasupport@antec.com

Europe

+49-40 226139-42
easupport@antec.com
www.antec.com

© Copyright 2012 Antec, Inc. All rights reserved.

All trademarks are the property of their respective owners.
Reproduction in whole or in part without written permission is prohibited.

Free Manuals Download Website

<http://myh66.com>

<http://usermanuals.us>

<http://www.somanuals.com>

<http://www.4manuals.cc>

<http://www.manual-lib.com>

<http://www.404manual.com>

<http://www.luxmanual.com>

<http://aubethermostatmanual.com>

Golf course search by state

<http://golfingnear.com>

Email search by domain

<http://emailbydomain.com>

Auto manuals search

<http://auto.somanuals.com>

TV manuals search

<http://tv.somanuals.com>