

MOMENTS

BATH/SHOWER TRIM KIT WITH DIVERTER

Congratulations on purchasing your American Standard faucet with EverClean™ finish a features found only on American Standard faucets.

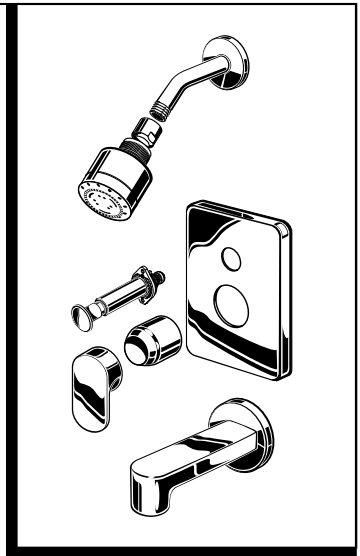
EverClean™ Finish

- One wipe effortlessly removes spots
- Eliminates the need for cleaners and scrubbing
- Permanent surface protectant remains beautiful for the life of the faucet
- EverClean™ available on: Polished Chrome, Satin Nickel, Stainless Steel, Polished Brass (or any combination of these finishes)

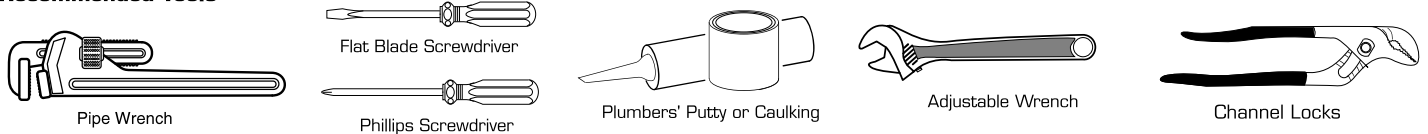
To ensure that your installation proceeds smoothly-please read these instructions carefully before you begin.

Certified to comply with ANSI A112.18.1

M968952

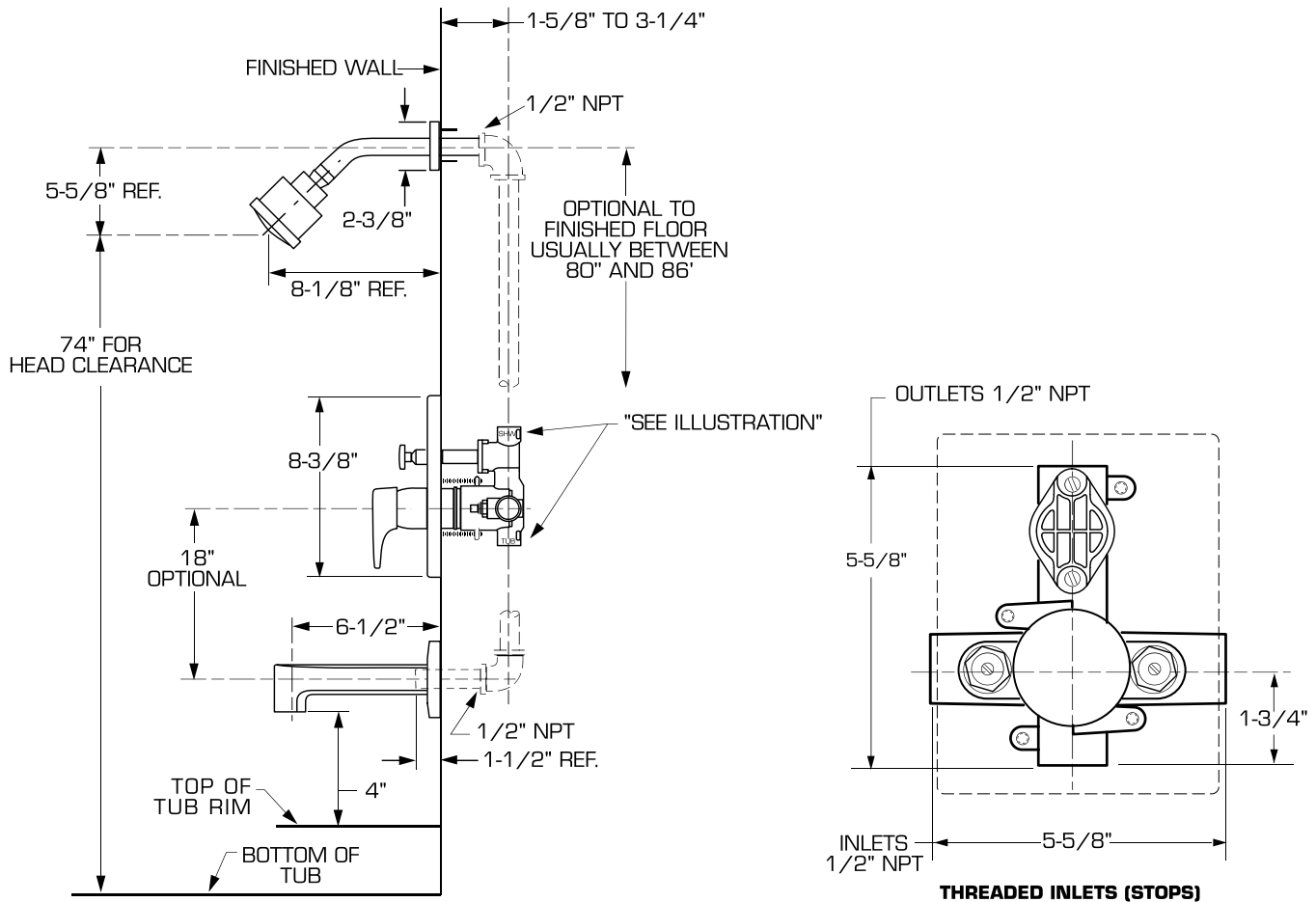


Recommended Tools



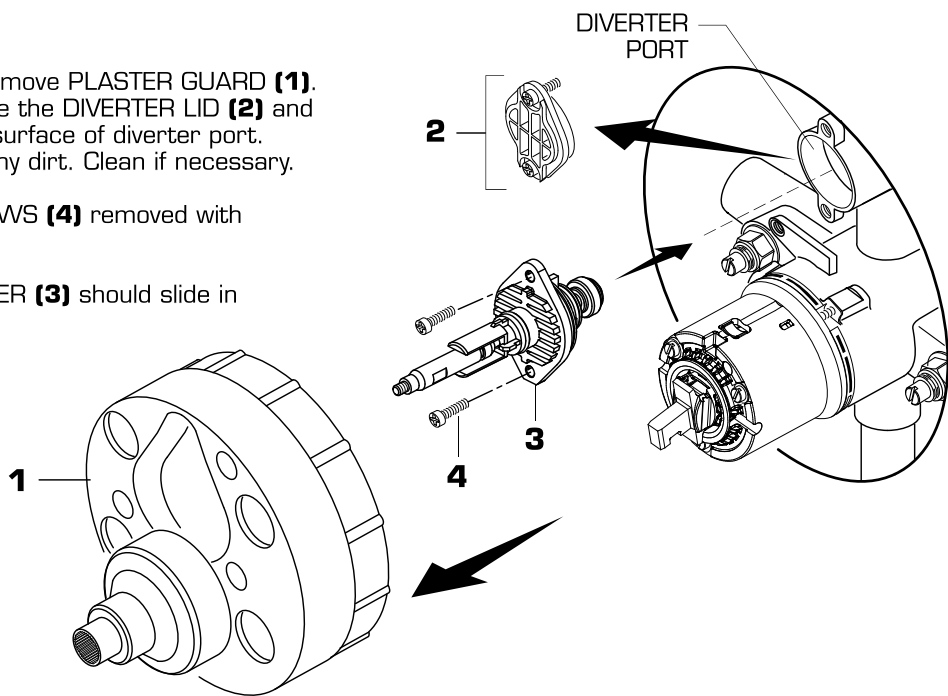
ROUGHING-IN DIMENSIONS

- To assure proper positioning in relation to wall, note roughing-in dimensions.



1 INSTALL DIVERTER

- When finished tiling the wall, remove PLASTER GUARD (1). Remove two screws that secure the DIVERTER LID (2) and remove Lid. Inspect the inside surface of diverter port. Diverter port must be free of any dirt. Clean if necessary.
- Install DIVERTER (3) with SCREWS (4) removed with DIVERTER LID (2).
- Operate DIVERTER (3). DIVERTER (3) should slide in and out smoothly.



2 INSTALL VALVE TRIM

- **Figure 1.** Push CAP (1) over VALVE CARTRIDGE (2) until seated against stop. Push CAP (3) over DIVERTER (4) until seated against stop.
- **Figure 2.** Push ESCUTCHEON HOLDER (5) onto CAP (1) and attach with SCREWS (6). Mount ESCUTCHEON SUPPORT (7) to ESCUTCHEON HOLDER (5) with SCREWS (8).
- **Figure 3.** Align PINS (10) on back side of ESCUTCHEON (11) with the FOUR HOLES (12) in ESCUTCHEON SUPPORT (7) and press ESCUTCHEON (11) flush against finished wall.

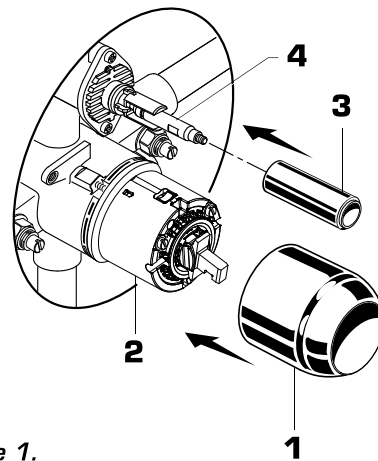


Figure 1.

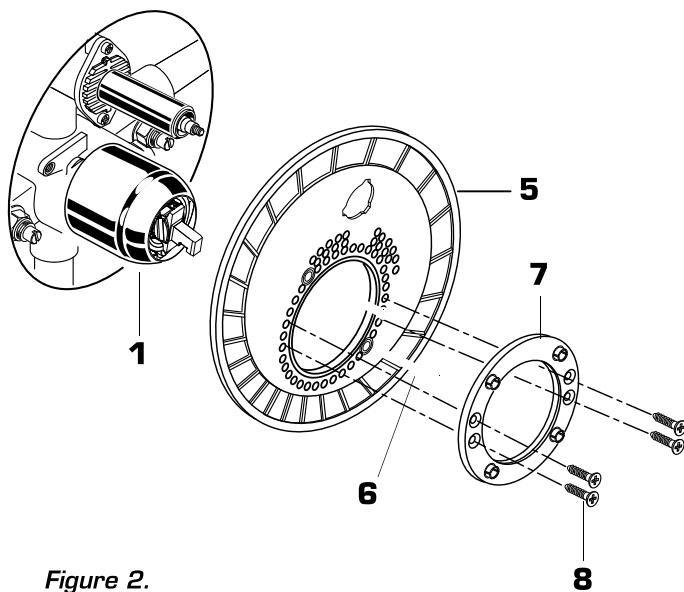


Figure 2.

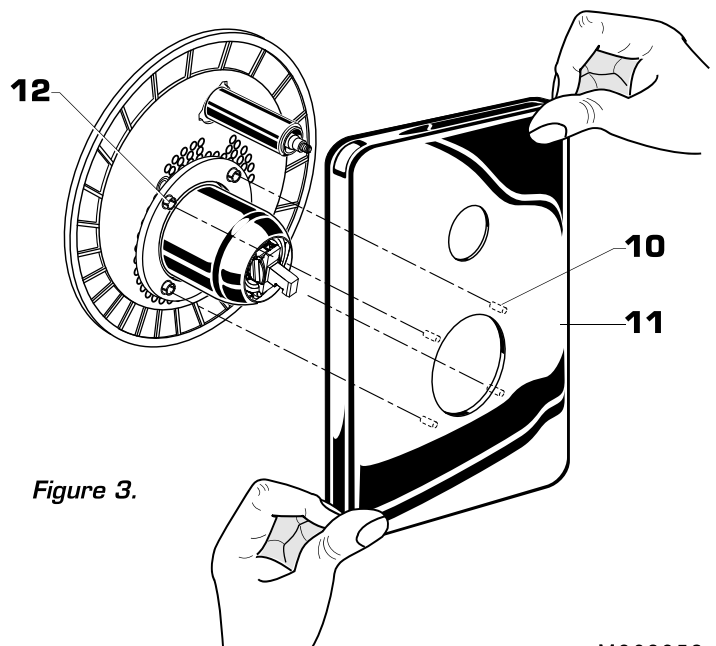


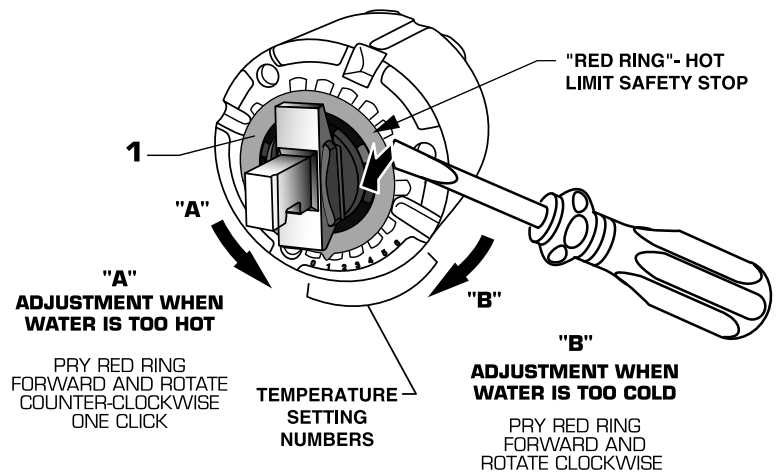
Figure 3.

3 ADJUST HOT LIMIT STOP

HOT LIMIT SAFETY STOP ADJUSTMENT

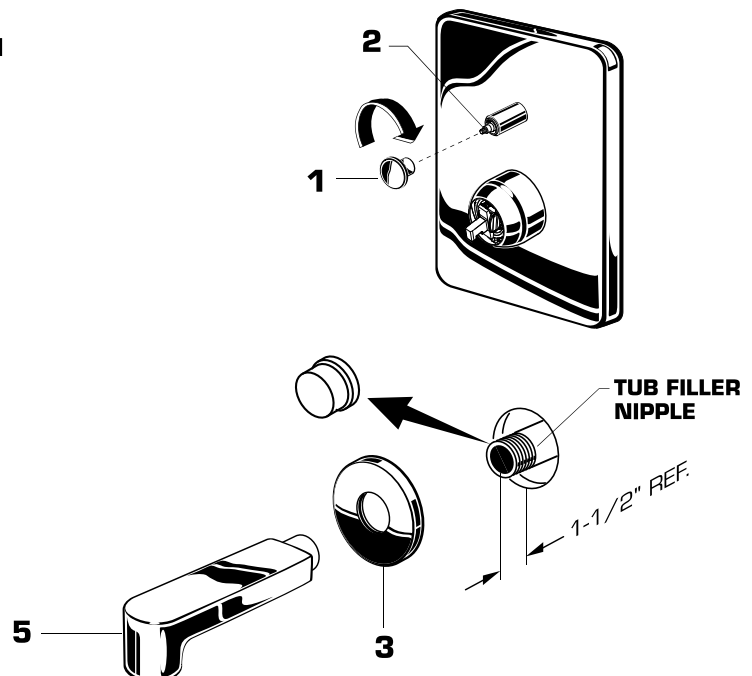
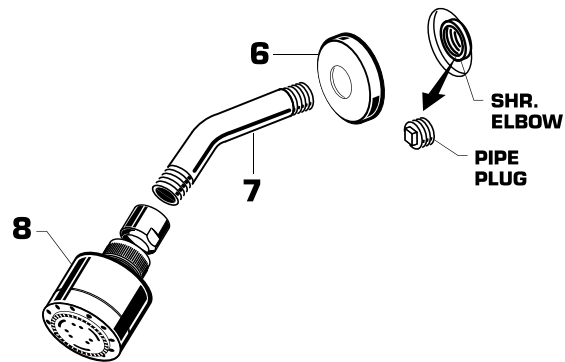
By restricting handle rotation and limiting the amount of hot water allowed to mix with the cold, the HOT LIMIT SAFETY STOP reduces risk of accidental scalding. To set the maximum hot water temperature of your faucets, all you need to do is adjust the setting on the HOT LIMIT SAFETY STOP.

- Use a flat blade screwdriver or your fingers to pull up and rotate red HOT LIMIT SAFETY STOP (1). Follow Step "A" or "B" to adjust min./max. discharge temperature. "0" being the hottest to "7" the coldest temperature setting. Factory set at "0".



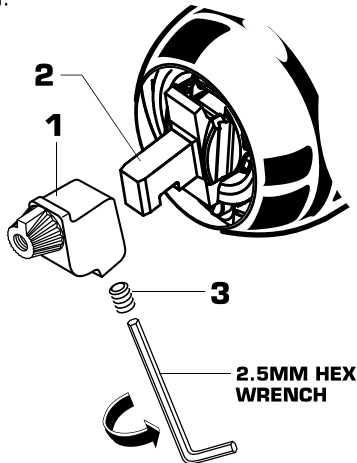
4 INSTALL DIVERTER KNOB, TUB SPOUT, SHOWER HEAD, SHOWER ARM WITH FLANGE

- Thread DIVERTER KNOB (1) onto DIVERTER STEM (2).
- Remove pipe cap and plug from shower and tub rough piping.
- Install SPOUT ESCUTCHEON (3) onto TUB SPOUT (5).
- Apply sealant or Teflon tape to threads of tub filler nipple. Thread TUB SPOUT (5) onto tub nipple. **CAUTION: Protect finish on TUB SPOUT when installing.**
- Install SHOWER ESCUTCHEON (6) onto SHOWER ARM (7). Apply sealant or Teflon tape to threads on both ends of SHOWER ARM (7) and thread longer leg of SHOWER ARM (7) into shower elbow.
- Thread SHOWER HEAD (8) onto SHOWER ARM (7). **CAUTION: Protect finish on SHOWER HEAD and ARM when installing.**



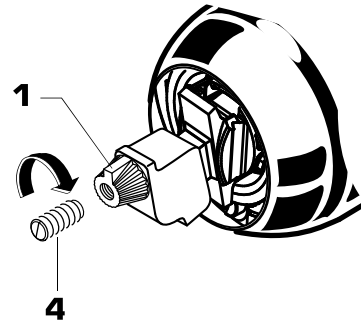
5 HANDLE INSTALLATION, INSTALL HANDLE ADAPTER

- Push HANDLE ADAPTER (1) onto VALVE STEM (2). Tighten set screw (3) with 2.5mm hex wrench supplied.



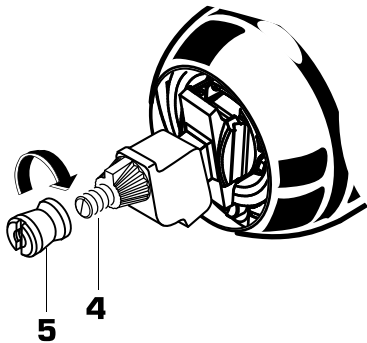
5a INSTALL ADAPTER SCREW

- With a flat blade screwdriver thread ADAPTER SCREW (4) into HANDLE STEM ADAPTER (2) and tighten.



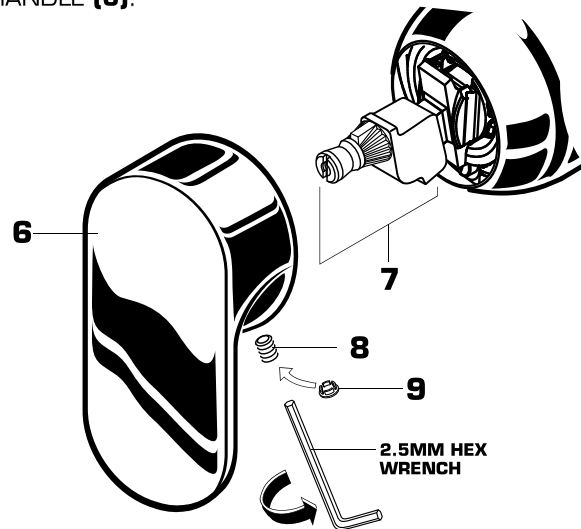
5b INSTALL ADAPTER

- With a flat blade screwdriver thread ADAPTER (5) onto SET SCREW (4) and tighten.



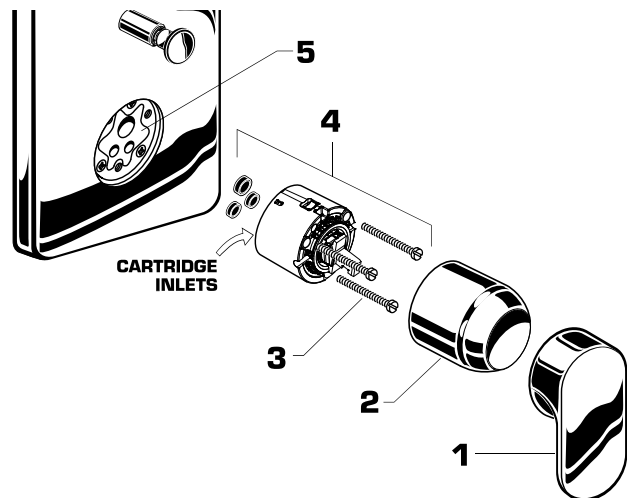
5c INSTALL HANDLE

- Align HANDLE (6) and install onto HANDLE ADAPTER ASSEMBLY (7). Tighten set screw (8) with 2.5mm hex wrench supplied to secure HANDLE.
- Push PLUG BUTTON (9) into set screw access hole in HANDLE (6).



6 SERVICE

- If faucet drips, operate handle several times from "off" to "on". Do not apply excessive force.
- Clogged CARTRIDGE (4) inlets may cause reduced flow in "full on" hot or cold. To clean inlets, first turn off water supply, then:
 - Remove HANDLE (1), CAP (2) and CARTRIDGE (4).
 - Clean inlets and MANIFOLD (5).
 - Reassemble CARTRIDGE (4), alternately tightening SCREWS (3). Replace CAP (2) and HANDLE (1). Check flow.



EverClean™ Finish Care Instructions

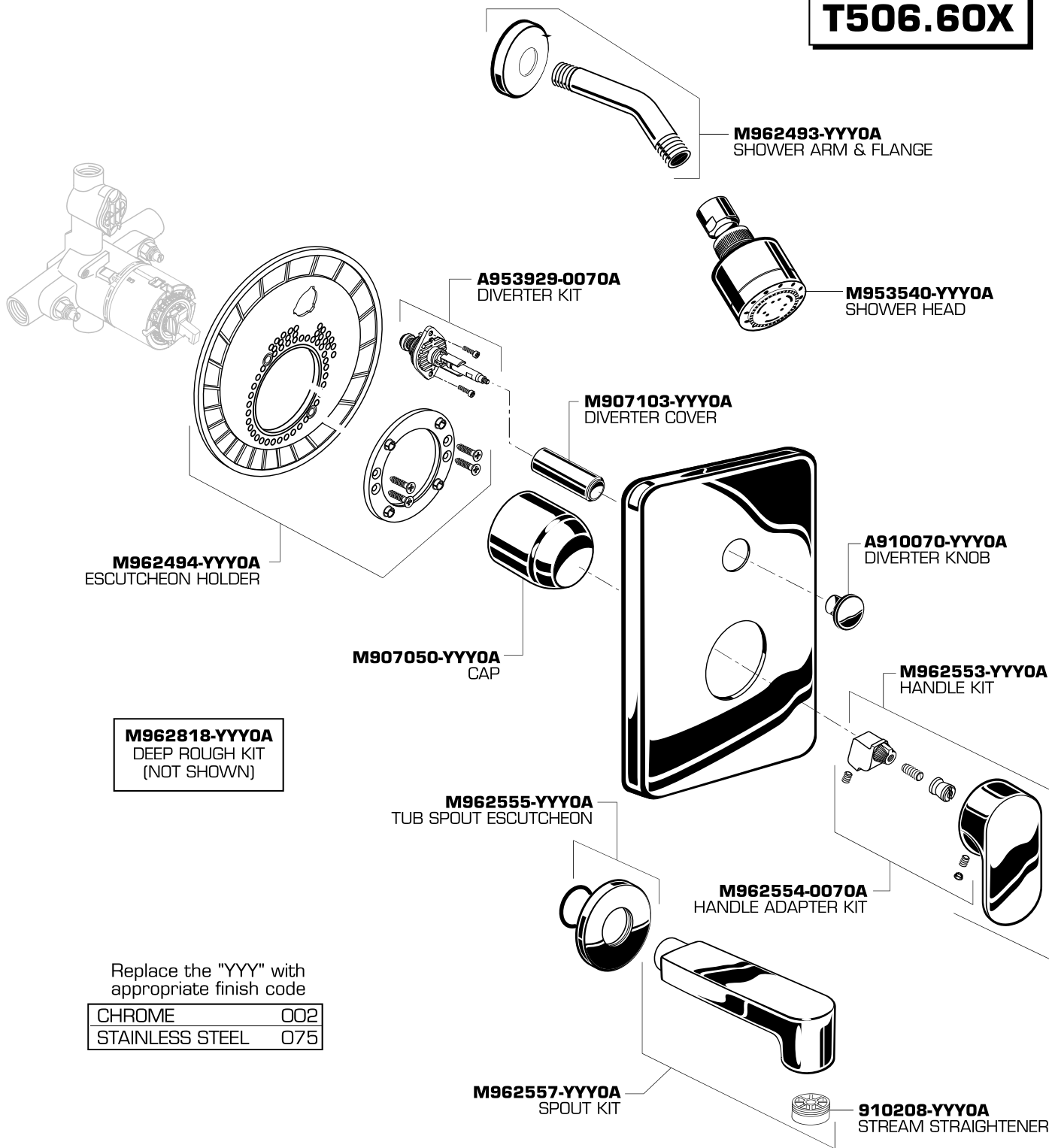
American Standard's EverClean finish will wipe clean with a soft, dry cloth. A soft cloth with clean water may also be used, if desired. No additional cleaning products are required.

DO NOT USE: Soaps, acid, polish, abrasives, harsh cleaners, or a cloth with a coarse surface.

M968952

MOMENTS BATH/SHOWER TRIM KIT WITH DIVERTER MODEL NUMBER

T506.60X



Replace the "YYY" with appropriate finish code

CHROME	002
STAINLESS STEEL	075



HOT LINE FOR HELP
For toll-free information and answers to your questions, call:
1 (800) 442-1902
Weekdays 8:00 a.m. to 6:00 p.m. EST
IN MEXICO 01-800-839-12-00
IN CANADA 1-800-387-0369 (TORONTO 1-905-306-1093)
Weekdays 8:00 a.m. to 7:00 p.m. EST

Product names listed herein are trademarks of American Standard Inc.
© American Standard Inc. 2007

M968952

Free Manuals Download Website

<http://myh66.com>

<http://usermanuals.us>

<http://www.somanuals.com>

<http://www.4manuals.cc>

<http://www.manual-lib.com>

<http://www.404manual.com>

<http://www.luxmanual.com>

<http://aubethermostatmanual.com>

Golf course search by state

<http://golfingnear.com>

Email search by domain

<http://emailbydomain.com>

Auto manuals search

<http://auto.somanuals.com>

TV manuals search

<http://tv.somanuals.com>