

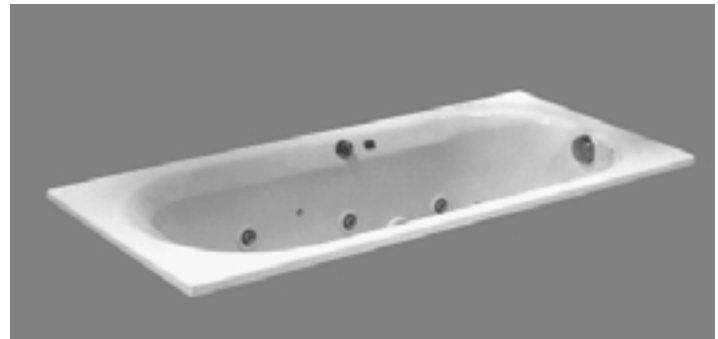
**STRATFORD 5-1/2' WHIRLPOOL AND
BATHING POOL**

- 2470.028W Whirlpool Featuring System I:**
 - Americast® brand engineered material
 - Acid-resistant porcelain finish
 - Integral lumbar support with beveled headrest
 - Full slip-resistant coverage
 - End drain outlet
 - 1.5 HP single speed, self-draining pump/motor
 - Factory installed power cord and plug
 - Six multi-directional and flow-adjustable jets
 - Deck-mounted air switch On/Off
 - Two silent air volume controls
 - Quick Connect Safe-T-Heater connection system
 - Factory installed and tested whirlpool system
- 2470.128W Whirlpool Massage featuring System I with Grab Bar Drilling**
 - Same as 2470.028W except with grab bar drilling (grab bar must be ordered separately)
- 2470.028WC StayClean™ Whirlpool Massage featuring System I**
 - Same as 2470.018W except with the StayClean™ whirlpool system featuring Antimicrobial AlphaSan®
- 2470.128WC StayClean™ Whirlpool Massage featuring System I**
 - Same as 2470.128W except with the StayClean™ whirlpool system featuring Antimicrobial AlphaSan® and grab bar drilling (grab bar must be ordered separately)

- 2470.002 Bathing Pool**
- 2470.102 Bathing Pool with Grab Bar Drilling**
 - Same as 2470.002 except with grab bar drilling (grab bar must be ordered separately)

Nominal Dimensions: 66" x 32" x 20"
(1676 x 813 x 508mm)
Bathing Well Dimensions: 60" x 27" x 18"
(1524 x 686 x 457mm)

Americast® brand engineered material is a composition of porcelain bonded to enameling grade metal, bonded to a patented structural composite.



To Be Specified - Required:

- Color:
- Bath Filler: (specify finish)
- Bath Drain: 1583.470 (specify finish)

To Be Specified - Optional:

- Safe-T-Heater*: 9075.120
- Jet Trim Ring Kit: 9860.200-one per kit (specify color) for Body Massage Jets only
- Universal Tile Bead Kit: 751755-100

For color/finish availability and other faucet choices, please see the Product Selector and Pricing Guide.

* **NOTE:** the Safe-T-Heater is designed to maintain water temperature during operation. It will not heat cold water to desired bathing temperature.

Compliance Certifications -

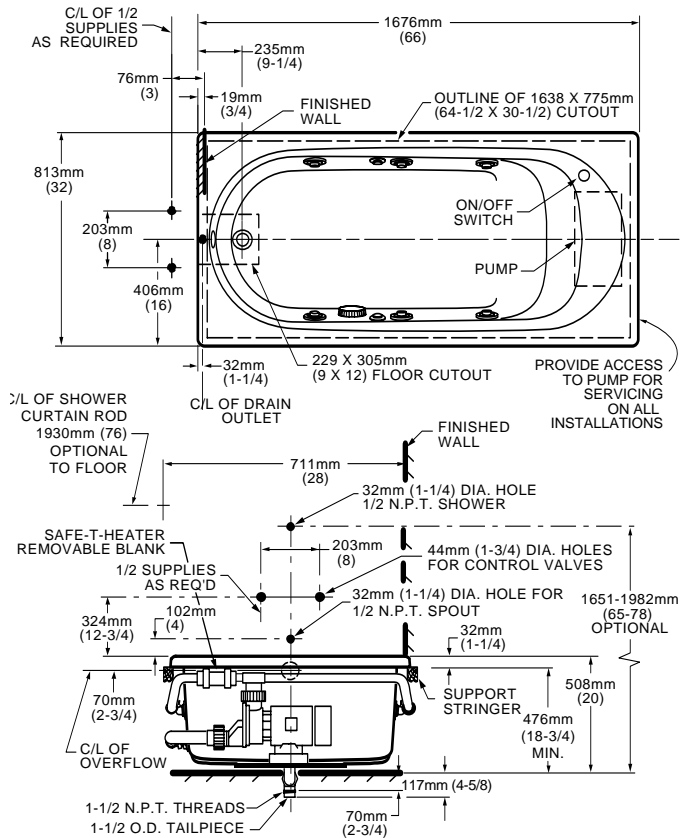
Meets or Exceeds the Following Specifications:

- Underwriters Laboratories - Hydromassage Bathtubs UL 1795
- ASME A112.19.7M for Whirlpool Appliances
- ASME A112.19.4M for Americast Fixtures
- ASTM F-462 for Slip-resistant Bathing Facilities
- ASTM E162 for Flammability
- NFPA 258 for Smoke Density

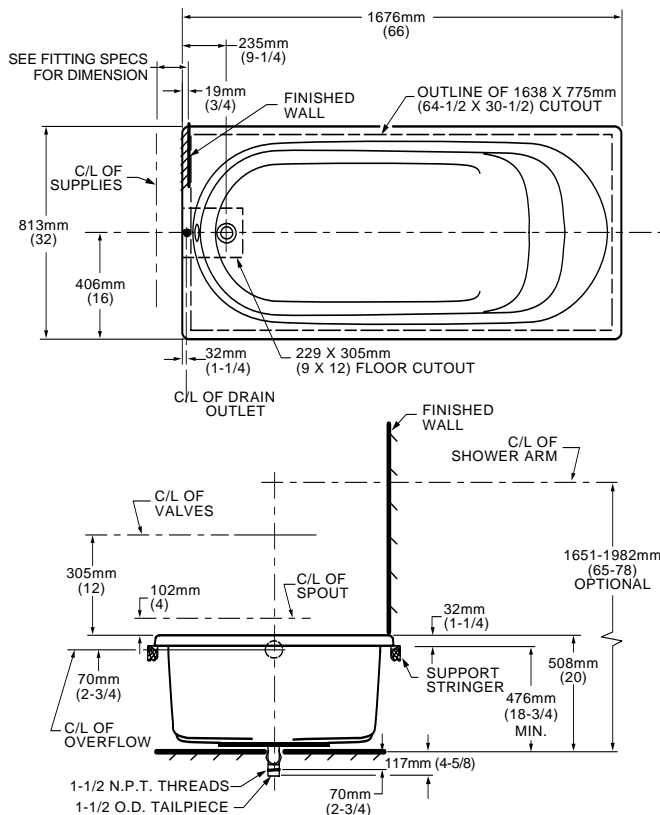
NOTE: Roughing-in dimensions shown on reverse side of page.

NOTES:

BATH CAN BE INSTALLED EITHER ABOVE OR BELOW FLOOR LINE AS PIER, ISLAND, OR PENINSULA TYPE INSTALLATION. SUPPORT OF BATH BY RIM, SUMP SUPPORT NOT REQUIRED. SUPPORT AND ENCLOSING MATERIAL BY OTHERS
 REFER TO INSTALLATION INSTRUCTIONS SUPPLIED WITH WHIRLPOOL/BATH FOR ADDITIONAL INFORMATION.
 OPTIONAL 3-WALL TILING BEAD KIT AVAILABLE AND MUST BE ORDERED SEPARATELY.
 FITTINGS NOT INCLUDED AND MUST BE ORDERED SEPARATELY.
 SHOWN WITH POP-UP C.D. & O.
 PROVIDE SUITABLE REINFORCEMENT FOR ALL SUPPORTS.
 CONCEALED PIPING NOT INCLUDED.



GENERAL SPECIFICATIONS FOR 2470 WHIRLPOOL	
INSTALLED SIZE	66 x 32 x 20 In. (1676 x 813 x 508mm)
WEIGHT	201 Lbs. (90 Kg.)
WEIGHT w/WATER	701 Lbs. (315 Kg.)
GAL. TO OVERFLOW	60 Gal. (227 L)
WHIRLPOOL MIN. OPERATING VOL.	40 Gal. (152 L)
BATHING WELL AT SUMP	42 x 19 In. (1067 x 483mm)
BATHING WELL AT RIM	60 x 27 In. (1524 x 686mm)
WATER DEPTH TO OVERFLOW	14 In. (356mm)
FLOOR LOADING (PROJECTED AREA)	55 Lbs./Sq.Ft. (223 Kgs./Sq.m)
PTS.	13.9
CUBE (FT ³)	33.7
WHIRLPOOL ELECTRICAL SPECIFICATIONS	
SYSTEM I PUMP	1.6 HP, 9.7 AMPS, 120V.



GENERAL SPECIFICATIONS FOR 2470 BATHING POOL	
INSTALLED SIZE	66 x 32 x 20 In. (1676 x 813 x 508mm)
WEIGHT	174 Lbs. (78 Kg.)
WEIGHT w/WATER	674 Lbs. (303 Kg.)
GAL. TO OVERFLOW	60 Gal. (227 L)
BATHING WELL AT SUMP	42 x 19 In. (1067 x 483mm)
BATHING WELL AT RIM	60 x 27 In. (1524 x 686mm)
WATER DEPTH TO OVERFLOW	14 In. (356mm)
FLOOR LOADING (PROJECTED AREA)	48 Lbs./Sq.Ft. (206 Kgs./Sq.m)
PTS.	13.9
CUBE (FT ³)	33.7

IMPORTANT:

Dimensions of fixtures are nominal and may vary within the range of tolerances established by ANSI Standard A112.19.4. These measurements are subject to change or cancellation. No responsibility is assumed for use of superseded or voided leaflet.

Free Manuals Download Website

<http://myh66.com>

<http://usermanuals.us>

<http://www.somanuals.com>

<http://www.4manuals.cc>

<http://www.manual-lib.com>

<http://www.404manual.com>

<http://www.luxmanual.com>

<http://aubethermostatmanual.com>

Golf course search by state

<http://golfingnear.com>

Email search by domain

<http://emailbydomain.com>

Auto manuals search

<http://auto.somanuals.com>

TV manuals search

<http://tv.somanuals.com>