

PRINCETON™ RECESS BATH W/ LUXURY LEDGE

Americast® brand engineered material

- 2395.202 Right Hand Outlet
- 2395.202TC Same as above w/tub cover
- 2394.202 Left Hand Outlet
- 2394.202TC Same as above w/tub cover

- Acid resistant porcelain finish
- Recess bath with integral apron and tiling flange
- Integral lumbar support
- Extra wide ledge for placement of toiletries
- Beveled headrest
- Full slip-resistant coverage
- End drain outlet



PRINCETON™ RECESS BATH W/ LUXURY LEDGE for Above Floor Rough Installations

- 2396.202 Left Hand Outlet for above floor installation
- 2396.202TC Same as above w/tub cover
- 2397.202 Right Hand Outlet for above floor installation
- 2397.202TC Same as above w/tub cover

Nominal Dimensions:

1524 x 864 x 356mm
(445mm for above floor installation)
(60" x 34" x 14")
(17-1/2" for above floor installation)

Bathing Well Dimensions:

1423 x 635 x 337mm
(56" x 25" x 13-1/4")

Compliance Certifications -

Meets or Exceeds the Following Specifications:

- ASME A112.19.4 for Americast Plumbing Fixtures
- ASTM F-462 for Slip-resistant Bathing Facilities
- ANSI Z124.1 Ignition Test
- ASTM E162 for Flammability
- NFPA 258 for Smoke Density

Americast® brand engineered material is a composition of porcelain bonded to enameling grade metal, bonded to a patented structural composite.



MEETS THE AMERICANS WITH DISABILITIES ACT GUIDELINES
AND ANSI A117.1 REQUIREMENTS FOR ACCESSIBLE AND
USEABLE BUILDING FACILITIES-CHECK LOCAL CODES.
INSTALL WITH SEAT AT HEAD END.

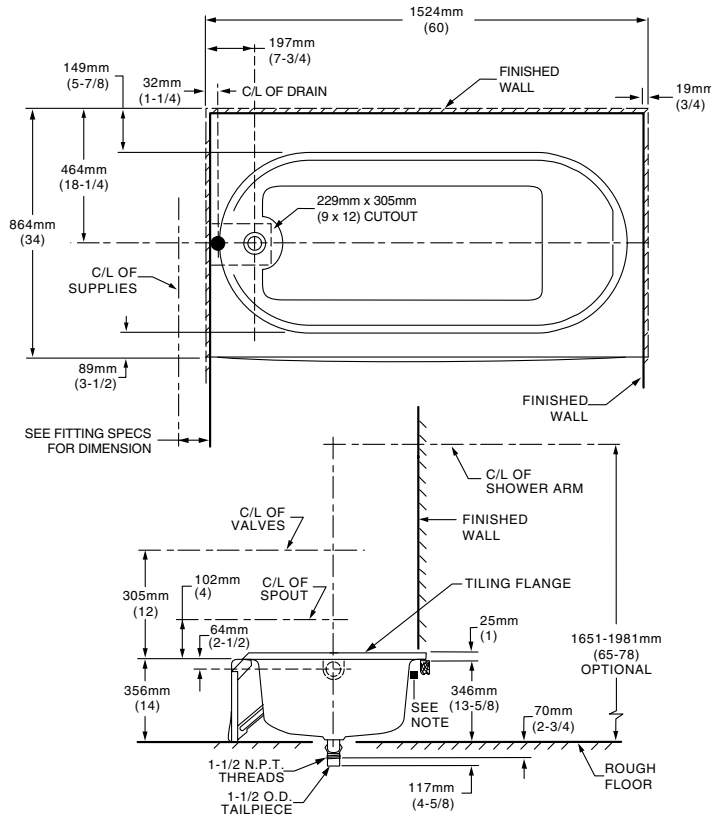
SEE REVERSE FOR PRODUCT DIMENSIONS
AND SPECIFICATIONS

To Be Specified:

- Color:
- Bath Faucet*:
- Faucet Finish:
- Drain: 1583.470
- Drain Finish:

*See faucet section for additional models available

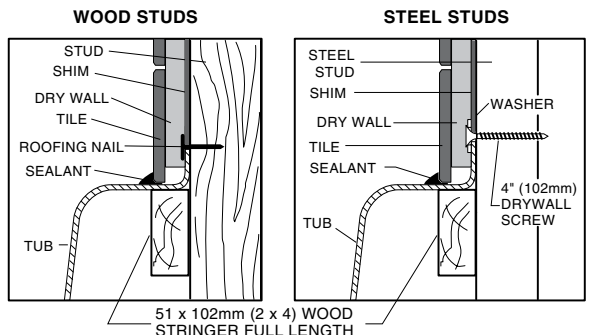
NOTE: Dimensions shown for **2394/2395** only. Refer to installation instruction for **2392/2393** above floor installation.



GENERAL SPECIFICATIONS FOR 2394/2395 BATHING POOL	
INSTALLED SIZE	60 x 34 x 14 In. (1524 x 864 x 356mm)
WEIGHT	118 Lbs. (54 Kg.)
WEIGHT w/WATER	468 Lbs. (213 Kg.)
GAL. TO OVERFLOW	42 Gal. (159 L)
BATHING WELL AT SUMP	42 x 19 In. (1067 x 483mm)
BATHING WELL AT RIM	56 x 25 In. (1423 x 635mm)
WATER DEPTH TO OVERFLOW	9-1/2 In. (241mm)
FLOOR LOADING (PROJECTED AREA)	33 Lbs./Sq.Ft. (159 Kgs./Sq.m)
PTS.	6.7
CUBE (FT ³)	20.1

GENERAL SPECIFICATIONS FOR 2396/2397 BATHING POOL	
INSTALLED SIZE	60 x 34 x 17-1/2 In. (1524 x 864 x 445mm)
WEIGHT	126 Lbs. (57 Kg.)
WEIGHT w/WATER	476 Lbs. (216 Kg.)
GAL. TO OVERFLOW	42 Gal. (159 L)
BATHING WELL AT SUMP	42 x 19 In. (1067 x 483mm)
BATHING WELL AT RIM	56 x 25 In. (1423 x 635mm)
WATER DEPTH TO OVERFLOW	9-1/2 In. (241mm)
FLOOR LOADING (PROJECTED AREA)	34 Lbs./Sq.Ft. (163 Kgs./Sq.m)
PTS.	8.1
CUBE (FT ³)	24.1

Below is shown typical cross sections of the tub rim showing typical wall constructions.



NOTES:

LEFT HAND OUTLET SHOWN, RIGHT HAND REVERSE DIMENSIONS. (2395.202).

SHOWN WITH POP-UP C.D. & O.

REFER TO INSTALLATION INSTRUCTIONS SUPPLIED WITH FITTING.

CONCEALED PIPING NOT FURNISHED.

BATH FAUCET NOT INCLUDED AND MUST BE ORDERED SEPARATELY.

PROVIDE SUITABLE REINFORCEMENT FOR ALL WALL SUPPORTS.

■ REFER TO INSTALLATION INSTRUCTIONS SUPPLIED WITH BATH.

IMPORTANT: Dimensions of fixtures are nominal and may vary within the range of tolerances established by ANSI Standard A112.19.4 These measurements are subject to change or cancellation. No responsibility is assumed for use of superseded or voided leaflet.

Free Manuals Download Website

<http://myh66.com>

<http://usermanuals.us>

<http://www.somanuals.com>

<http://www.4manuals.cc>

<http://www.manual-lib.com>

<http://www.404manual.com>

<http://www.luxmanual.com>

<http://aubethermostatmanual.com>

Golf course search by state

<http://golfingnear.com>

Email search by domain

<http://emailbydomain.com>

Auto manuals search

<http://auto.somanuals.com>

TV manuals search

<http://tv.somanuals.com>