

**COLONY 5' x 42" WHIRLPOOL AND BATHING
POOL with INTEGRAL APRON**

- 1749.218 Whirlpool featuring System I,
Left Hand Outlet**
- 1749.118 Whirlpool featuring System I,
Right Hand Outlet**
 - Acrylic with fiberglass reinforcement
 - Integral apron with tile flange and removable access panels
 - Integral 3-sided tile/water retention flange
 - Molded-in back rest
 - Dual, molded in arm rests
 - 1.0 HP single speed, self-draining pump/motor
 - Factory installed power cord with plug
 - Six multi-directional and flow-adjustable jets
 - Side-mounted air switch On/Off
 - Two air volume controls
 - Factory installed and tested whirlpool system

StayClean™ Whirlpool Massage featuring System I

- 1749.218C Whirlpool featuring System I,
Left Hand Outlet**
 - 1749.118C Whirlpool featuring System I,
Right Hand Outlet**
 - Same as above except with the StayClean™ whirlpool system featuring Antimicrobial AlphaSan®
 - 1749.202 Bathing pool only, Left Hand Outlet**
 - 1749.102 Bathing pool only, Right Hand
Outlet**
 - Removable access panel not available on bathing pool only
- Nominal Dimensions: (60" x 43-1/2" x 20-1/4")
1525 x 1105 x 515mm

Compliance Certifications -

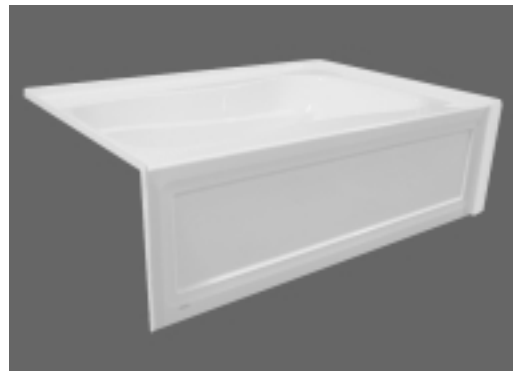
Meets or Exceeds the Following Specifications:

- Underwriters Laboratories - Hydromassage Bathtubs UL 1795
- ASME A112.19.7M for Whirlpool Appliances
- ANSI Z124.1 for Plastic Bathtubs
- ASTM E162 for Flammability
- NFPA 258 for Smoke Density

NOTE: Roughing-in dimensions and product specifications shown on reverse side of page.



Shown: Whirlpool with Removable Panels



Shown: Bathing Pool less Removable Panels

To Be Specified - Required:

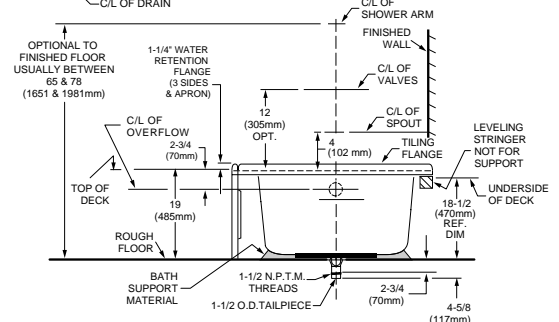
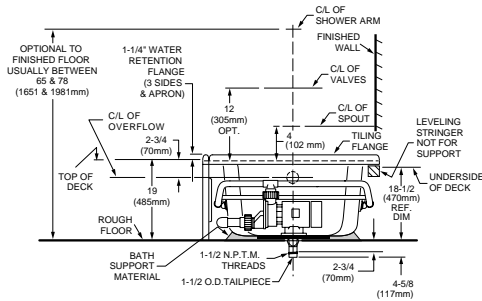
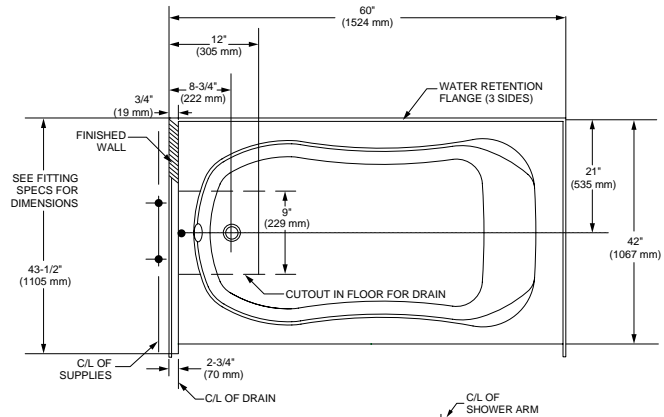
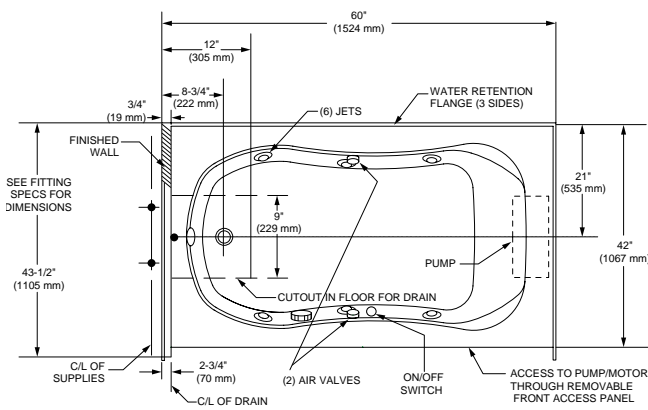
- Color:

Required Components (not included):

- Bath Drain: 1583.470 *
- Bath Filler: *

* See your American Standard Distributor

For color/finish availability and other faucet choices, please see the Product Selector and Pricing Guide.



GENERAL SPECIFICATIONS FOR 1749 WHIRLPOOL

INSTALLED SIZE _____ 60 x 42 x 19 In. (1525 x 1067 x 483mm)
 WEIGHT _____ 112 Lbs. (50 Kg.)
 WEIGHT w/WATER _____ 714 Lbs. (324 Kg.)
 GAL. TO OVERFLOW _____ 72 Gal. (274 L)
 WHIRLPOOL MIN. OPERATING VOL. _____ 52 Gal. (197 L)
 BATHING WELL AT SUMP _____ 44 x 23 In. (1120 x 585mm)
 BATHING WELL AT RIM _____ 54 x 26 In. (1370 x 660mm)
 WATER DEPTH TO OVERFLOW _____ 13-5/8 In. (346mm)
 FLOOR LOADING _____ 41 Lbs./Sq.Ft. (193 Kgs./Sq.m)
 (PROJECTED AREA)

WHIRLPOOL ELECTRICAL SPECIFICATIONS

PUMP _____ 1.0 HP, 9.9 AMPS, 120V.

GENERAL SPECIFICATIONS FOR 1749 BATHING POOL

INSTALLED SIZE _____ 60 x 42 x 19 In. (1525 x 1067 x 483mm)
 WEIGHT _____ 92 Lbs. (42 Kg.)
 WEIGHT w/WATER _____ 714 Lbs. (324 Kg.)
 GAL. TO OVERFLOW _____ 72 Gal. (274 L)
 BATHING WELL AT SUMP _____ 44 X 23 In. (1120 x 585mm)
 BATHING WELL AT RIM _____ 54 x 26 In. (1370 x 660mm)
 WATER DEPTH TO OVERFLOW _____ 13-5/8 In. (346mm)
 FLOOR LOADING _____ 41 Lbs./Sq.Ft. (193 Kgs./Sq.m)
 (PROJECTED AREA)

NOTES:

BATH TO BE INSTALLED ABOVE FLOOR LINE AS A RECESS INSTALLATION. SUPPORT OF BATH BY SUMP BEDDING. SUPPORT AND ENCLOSING MATERIAL BY OTHERS.

■ REFER TO INSTALLATION INSTRUCTIONS SUPPLIED WITH WHIRLPOOL FOR ADDITIONAL INFORMATION.

LEFT HAND OUTLET SHOWN, RIGHT HAND REVERSE DIMENSIONS (1749.118).

FITTINGS NOT INCLUDED AND MUST BE ORDERED SEPARATELY.

PROVIDE SUITABLE REINFORCEMENT FOR ALL SUPPORTS.

IMPORTANT: Dimensions of fixtures are nominal and may vary within the range of tolerances established by ANSI Standards Z124.1 and A112.19.7. These measurements are subject to change or cancellation. No responsibility is assumed for use of superseded or voided pages.

Free Manuals Download Website

<http://myh66.com>

<http://usermanuals.us>

<http://www.somanuals.com>

<http://www.4manuals.cc>

<http://www.manual-lib.com>

<http://www.404manual.com>

<http://www.luxmanual.com>

<http://aubethermostatmanual.com>

Golf course search by state

<http://golfingnear.com>

Email search by domain

<http://emailbydomain.com>

Auto manuals search

<http://auto.somanuals.com>

TV manuals search

<http://tv.somanuals.com>