

Electrical Safety, and Emission Statements

This product meets the following standards.

U.S. Federal Communications Commission

Radiated Energy

Note: This equipment has been tested and found to comply with the limits for a Class A digital device pursuant to Part 15 of FCC Rules. These limits are designed to provide reasonable protection against harmful interference when the equipment is operated in a commercial environment. This equipment generates, uses, and can radiate radio frequency energy and, if not installed and used in accordance with this instruction manual, may cause harmful interference to radio communications. Operation of this equipment in a residential area is likely to cause harmful interference in which case the user will be required to correct the interference at his own expense.

Note: Modifications or changes not expressly approved of by the manufacturer or the FCC, can void your right to operate this equipment.

Industry Canada

This Class A digital apparatus meets all requirements of the Canadian Interference-Causing Equipment Regulations. Cet appareil numérique de la classe A respecte toutes les exigences du Règlement sur le matériel brouilleur du Canada.

RFI Emissions FCC Class A, EN55022 Class A, VCCI Class A

Warning: In a domestic environment this product may cause radio interference in which case the user may be required to take adequate measures.

Immunity EN 55022

Electrical Safety UL 1950 (cUL_{US}), EN 60950 (TUV), EN60825, CSA C22.2-No.950-95

U.S. Pat. No. 6,939,058

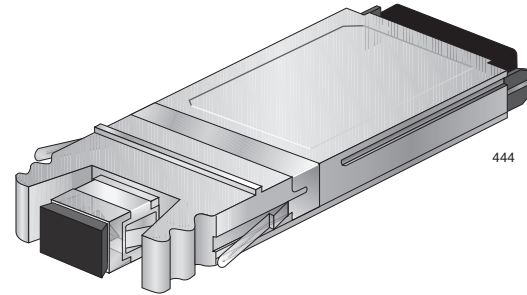
Copyright © 2005 Allied Telesyn, Inc. All rights reserved. No part of this publication may be reproduced without prior written permission from Allied Telesyn, Inc.
www.alliedtelesyn.com



AT-G8BD-13/-14 Bidirectional GBIC Transceivers Installation Guide

Overview

The AT-G8BD Series Bidirectional GBIC transceivers provide Gigabit Ethernet connectivity over a single fiber optic cable for Allied Telesyn networking products.



Model	Type of Fiber Optic Cable	TX	RX
AT-G8BD-13	9 micron SMF	1310 nm	1490 nm
AT-G8BD-14	9 micron SMF	1490 nm	1310 nm

Both models feature a single SC connector.

Note

A transceiver must be connected to another transceiver or fiber optic port that has compatible operating characteristics. For instance, the AT-G8BD-13 transceiver must be connected to an AT-G8BD-14 transceiver or another optical interface with operating characteristics compatible with the AT-G8BD series transceivers.



Laser

Class 1 laser product.



Laser

Do not stare into the laser beam.

Electrical Safety, and Emission Statements

This product meets the following standards.

U.S. Federal Communications Commission

Radiated Energy

Note: This equipment has been tested and found to comply with the limits for a Class A digital device pursuant to Part 15 of FCC Rules. These limits are designed to provide reasonable protection against harmful interference when the equipment is operated in a commercial environment. This equipment generates, uses, and can radiate radio frequency energy and, if not installed and used in accordance with this instruction manual, may cause harmful interference to radio communications. Operation of this equipment in a residential area is likely to cause harmful interference in which case the user will be required to correct the interference at his own expense.

Note: Modifications or changes not expressly approved of by the manufacturer or the FCC, can void your right to operate this equipment.

Industry Canada

This Class A digital apparatus meets all requirements of the Canadian Interference-Causing Equipment Regulations. Cet appareil numérique de la classe A respecte toutes les exigences du Règlement sur le matériel brouilleur du Canada.

RFI Emissions FCC Class A, EN55022 Class A, VCCI Class A

Warning: In a domestic environment this product may cause radio interference in which case the user may be required to take adequate measures.

Immunity EN 55022

Electrical Safety UL 1950 (cUL_{US}), EN 60950 (TUV), EN60825, CSA C22.2-No.950-95

U.S. Pat. No. 6,939,058

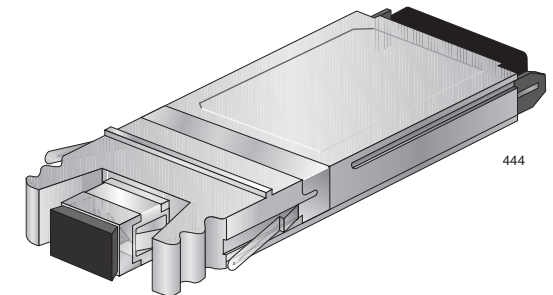
Copyright © 2005 Allied Telesyn, Inc. All rights reserved. No part of this publication may be reproduced without prior written permission from Allied Telesyn, Inc.
www.alliedtelesyn.com



AT-G8BD-13/-14 Bidirectional GBIC Transceivers Installation Guide

Overview

The AT-G8BD Series Bidirectional GBIC transceivers provide Gigabit Ethernet connectivity over a single fiber optic cable for Allied Telesyn networking products.



Model	Type of Fiber Optic Cable	TX	RX
AT-G8BD-13	9 micron SMF	1310 nm	1490 nm
AT-G8BD-14	9 micron SMF	1490 nm	1310 nm

Both models feature a single SC connector.

Note

A transceiver must be connected to another transceiver or fiber optic port that has compatible operating characteristics. For instance, the AT-G8BD-13 transceiver must be connected to an AT-G8BD-14 transceiver or another optical interface with operating characteristics compatible with the AT-G8BD series transceivers.



Laser

Class 1 laser product.



Laser

Do not stare into the laser beam.

Note

The GBIC transceivers can be hot-swapped. You do not need to power off the networking device when you install or replace a GBIC transceiver.

Related Documents

For details on the features and functions of your Allied Telesyn product along with installation instructions, refer to our web site, www.alliedtelesyn.com.

Verifying Package Contents

Verify that the correct components are included in your package:

- AT-G8BD-13 or AT-G8BD-14 transceiver
- This installation guide
- Warranty card

If any item is missing or damaged, contact your Allied Telesyn sales representative for assistance.

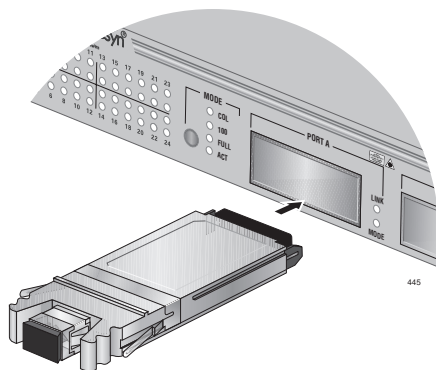
Installing an AT-G8BD Bidirectional GBIC Transceiver

To install a G8BD GBIC transceiver, perform the following procedure:

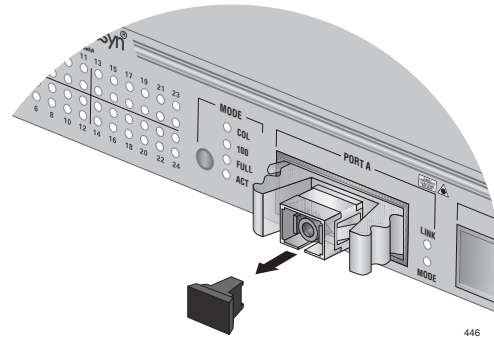
Caution

The transceiver can be damaged by static electricity. Be sure to observe all standard electrostatic discharge (ESD) precautions, such as wearing an antistatic wrist strap, to avoid damaging the device.

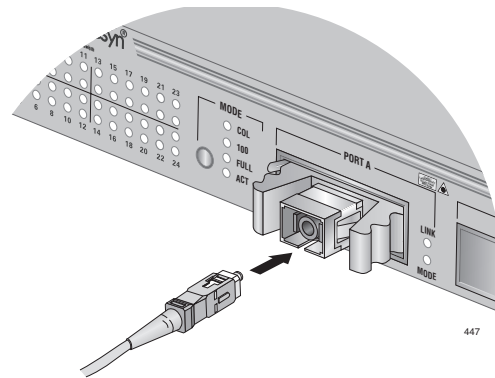
1. Remove the transceiver from its shipping package and store the package in a safe place. You must use the original package if you need to return the unit to Allied Telesyn.
2. Slide the module into the GBIC slot in the Allied Telesyn networking device.



3. Remove the dust cover from the single SC connector on the GBIC.



4. Connect the fiber optic cable to the single SC connector on the transceiver.



Fiber Optic Port Specifications

Model	Optical Output Power (dBm)			Optical Input Power (dBm)	
	Min.	Avg.	Max.	Min.	Max.
AT-G8BD-13	-3	0	+2	-24	+2
AT-G8BD-14	-3	0	+2	-24	+2

Note

The GBIC transceivers can be hot-swapped. You do not need to power off the networking device when you install or replace a GBIC transceiver.

Related Documents

For details on the features and functions of your Allied Telesyn product along with installation instructions, refer to our web site, www.alliedtelesyn.com.

Verifying Package Contents

Verify that the correct components are included in your package:

- AT-G8BD-13 or AT-G8BD-14 transceiver
- This installation guide
- Warranty card

If any item is missing or damaged, contact your Allied Telesyn sales representative for assistance.

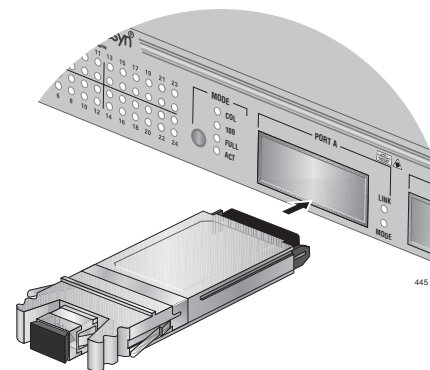
Installing an AT-G8BD Bidirectional GBIC Transceiver

To install a G8BD GBIC transceiver, perform the following procedure:

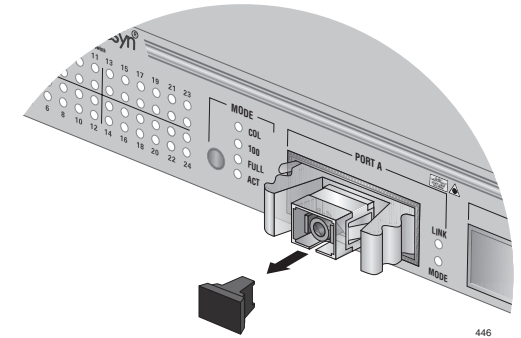
Caution

The transceiver can be damaged by static electricity. Be sure to observe all standard electrostatic discharge (ESD) precautions, such as wearing an antistatic wrist strap, to avoid damaging the device.

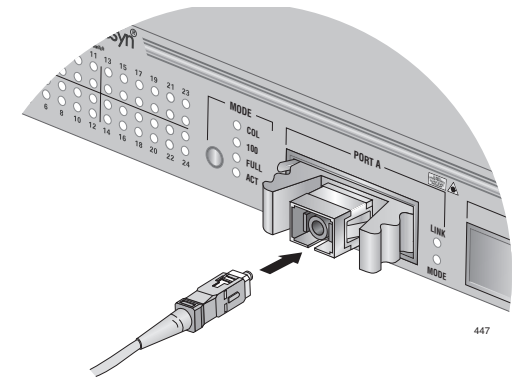
1. Remove the transceiver from its shipping package and store the package in a safe place. You must use the original package if you need to return the unit to Allied Telesyn.
2. Slide the module into the GBIC slot in the Allied Telesyn networking device.



3. Remove the dust cover from the single SC connector on the GBIC.



4. Connect the fiber optic cable to the single SC connector on the transceiver.



Fiber Optic Port Specifications

Model	Optical Output Power (dBm)			Optical Input Power (dBm)	
	Min.	Avg.	Max.	Min.	Max.
AT-G8BD-13	-3	0	+2	-24	+2
AT-G8BD-14	-3	0	+2	-24	+2

Free Manuals Download Website

<http://myh66.com>

<http://usermanuals.us>

<http://www.somanuals.com>

<http://www.4manuals.cc>

<http://www.manual-lib.com>

<http://www.404manual.com>

<http://www.luxmanual.com>

<http://aubethermostatmanual.com>

Golf course search by state

<http://golfingnear.com>

Email search by domain

<http://emailbydomain.com>

Auto manuals search

<http://auto.somanuals.com>

TV manuals search

<http://tv.somanuals.com>