

JB-DVF-HID-I

Vandal Resistant Color Video Door Station
With Built in HID *iClass*™ Smart Card Reader

- INSTRUCTIONS-

The JB-DVF-HID-I is a JB-series color video door station and an HID *iClass*™ Card Reader, built onto the same stainless steel faceplate. The card reader provides electronic access to a building through a separate Access Control System, which is not supplied by Aiphone.

INSTALLATION:

1. For flush mounting, cut hole in wall and use supplied back box.
Box dimensions are 4-½"W x 10-¾"H x 1-¾"D.
2. For surface mounting, use the SBX-DVF-P surface mount box.
This box can mount to a standard 1-gang box or to any flat surface.

JB-DVF-HID-I
(front view)



JB-DVF-HID-I
(back view)



Connecting the Reader to the Host:

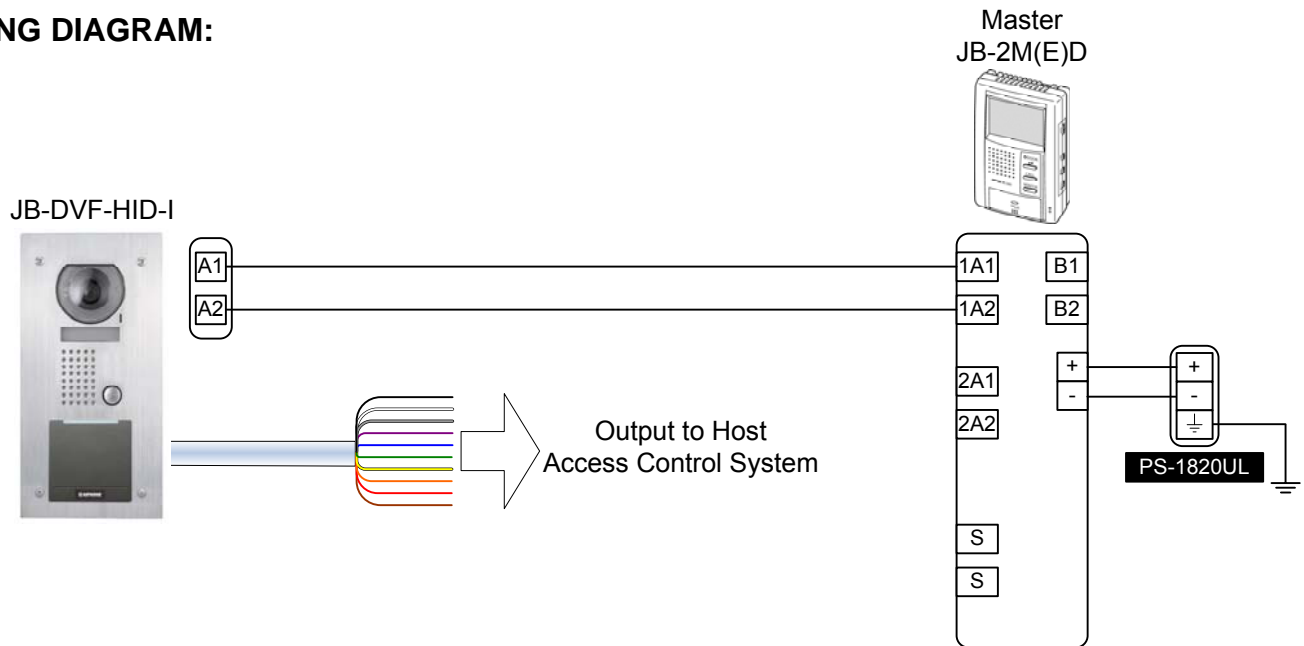
Connect the reader to the host according to the wiring table below and the host installation guide.

Wiegand	Wire Color
+ DC (10-16V)	Red
Ground	Black
Data0	Green
Data1	White
Shield Ground	Drain
Green LED	Orange
Red LED	Brown
Beeper	Yellow
Hold	Blue
---	Violet

← 20" pigtail cable



WIRING DIAGRAM:



TESTING AND OPERATION:

- When power is applied to the *iClass*TM reader, the LED will turn RED while the beeper beeps simultaneously 3 times. (The last tone is a higher frequency). The LED will then flash once after the last tone. This indicates that the microcontroller is operating properly.
- Present an *iClass* ID card to the reader (Hold the card directly in front of reader). The LED will momentarily turn green while the beeper beeps once, indicating that the card was read successfully.

SPECIFICATIONS:

CARD READER:

Power Source: 10 ~ 16 VDC / 65 ~ 225mA
 Current Requirements: 80mA (Avg); 300mA (peak) at 12V
 Transmit Frequency: 13.56 MHz
 Terminations: Color-coded pre-wired pigtails
 Wiring Distance: 500'
 Operating Temperature: -10° ~ 60° C / 14° ~ 140° F
 Operating Humidity: 5% to 95% relative humidity non-condensing

CAMERA:

Camera unit: CCD Camera
 Scanning line: 525 lines
 Min. illumination: 1 Lux or less at 1'
 Terminations: Screw terminals
 Wiring Distance: 330' w/871802 wire
 980' w/JBW-BA & 851602 wire
 Dimensions (camera): 5-3/4" W x 11-5/8" H x 1-5/16" D
 With SBX-DVF-P: 5-15/16" W x 11-3/4" H x 2-13/16" D (Top)
 1-15/16" D (Bottom)

FCC WARNING:

This device complies with Part 15 of the FCC rules.

Operation is subject to the following two conditions:

- (1) This device may not cause harmful interference.
- (2) This device must accept any interference that may cause undesired operation.
 - For proper regulatory compliance, the drain wire should be disconnected at the power supply end of the cable.
 - Changes or modifications not expressly approved by the party responsible for compliance could void the user's authority to operate the equipment.
 - The Reader is intended to be powered from a limited power source output of a previously certified power supply.

Aiphone Communication Systems
 1700 130th Ave. N.E.
 Bellevue, WA 98005
 (425) 455-0510
 FAX (425) 455-0071

TOLL FREE TECHNICAL SUPPORT: (800) 692-0200
 TOLL FREE FAX LINE: (800) 832-3765
 E-MAIL: tech-serv@aiphone.com

Page 2
 JB-DVF-HID-I Instr.
 0706JDJS

Free Manuals Download Website

<http://myh66.com>

<http://usermanuals.us>

<http://www.somanuals.com>

<http://www.4manuals.cc>

<http://www.manual-lib.com>

<http://www.404manual.com>

<http://www.luxmanual.com>

<http://aubethermostatmanual.com>

Golf course search by state

<http://golfingnear.com>

Email search by domain

<http://emailbydomain.com>

Auto manuals search

<http://auto.somanuals.com>

TV manuals search

<http://tv.somanuals.com>