

**Agilent 16193A
Small Side Electrode SMD Test Fixture
Operation and Service Manual**

Agilent 16193A Small Side Electrode SMD Test Fixture
Operation and Service Manual



Agilent Part No. 16193-90040
Printed in JAPAN August 2001

Seventh Edition

Notice

The information contained in this document is subject to change without notice.

This document contains proprietary information that is protected by copyright. All rights are reserved. No part of this document may be photocopied, reproduced, or translated to another language without the prior written consent of the Agilent Technologies.

Agilent Technologies Japan, Ltd.
Component Test PGU-Kobe
1-3-2, Murotani, Nishi-ku, Kobe-shi,
Hyogo, 651-2241 Japan

Manual Printing History

The manual printing date and part number indicate its current edition. The printing date changes when a new edition is printed. (Minor corrections and updates that are incorporated at reprint do not cause the date to change.) The manual part number changes when extensive technical changes are incorporated.

December 1993	First Edition (part number: 16193-90000)
June 1996	Second Edition
October 1996	Third Edition
August 1999	Fourth Edition (part number: 16193-90020)
December 1999	Fifth Edition (part number: 16193-90020)
September 2000	Sixth Edition (part number: 16193-90030)
August 2001	Seventh Edition (part number: 16193-90040)

Safety Summary

The following general safety precautions must be observed during all phases of operation, service, and repair of this instrument. Failure to comply with these precautions or with specific **WARNINGS** given elsewhere in this manual violates safety standards of design, manufacture, and intended use of the instrument.

The Agilent Technologies assumes no liability for the customer's failure to comply with these requirements.

DO NOT Operate In An Explosive Atmosphere

Do not operate the instrument in the presence of flammable gasses or fumes. Operation of any electrical instrument in such an environment constitutes a safety hazard.

Keep Away From Live Circuits

Operating personnel must not remove instrument covers. Component replacement and internal adjustments must be made by qualified maintenance personnel. Do not replace components with the power cable connected. Under certain conditions, dangerous voltages may exist even with the power cable removed. To avoid injuries, always disconnect power and discharge circuits before touching them.

DO NOT Service Or Adjust Alone

Do not attempt internal service or adjustment unless another person, capable of rendering first aid and resuscitation, is present.

DO NOT Substitute Parts Or Modify Instrument

Because of the danger of introducing additional hazards, do not substitute parts or perform unauthorized modifications to the instrument. Return the instrument to a Agilent Technologies Sales and Service Office for service and repair to ensure the safety features are maintained.

Dangerous Procedure Warnings

Warnings, such as the example below, precede potentially dangerous procedures throughout this manual. Instructions contained in the warnings must be followed.

Warning



Dangerous voltages, capable of causing death, are present in this instrument. Use extreme caution when handling, testing, and adjusting this instrument.

The voltage levels found in this test fixture when used with the intended instruments do not warrant more than normal safety precautions for operator safety.

Operating Precaution

Do not exceed the operating input power, voltage, and current level and signal type appropriate for the instrument being used, refer to your instrument's operation manual.

Caution



Electrostatic discharge (ESD) can damage the highly sensitive microcircuits in your instrument. ESD damage is most likely to occur as the test fixtures are being connected or disconnected. Protect them from ESD damage by wearing a grounding strap that provides a high resistance path to ground. Alternatively, ground yourself to discharge any static charge built-up by touching the outer shell of any grounded instrument chassis before touching the test port connectors.

Never touch the test clip contacts.

Use a work station equipped with an anti-static work surface.

Certification

Agilent Technologies certifies that this product met its published specifications at the time of shipment from the factory. Agilent Technologies further certifies that its calibration measurements are traceable to the United States National Institute of Standards and Technology, to the extent allowed by the Institution's calibration facility, or to the calibration facilities of other International Standards Organization members.

Warranty

This Agilent Technologies instrument product is warranted against defects in material and workmanship for a period of one year from the date of shipment, except that in the case of certain components listed in *Instrument Specifications* of this manual, the warranty shall be for the specified period. During the warranty period, Agilent Technologies will, at its option, either repair or replace products which prove to be defective.

For warranty service or repair, this product must be returned to a service facility designated by Agilent Technologies. Buyer shall prepay shipping charges to Agilent Technologies and Agilent Technologies shall pay shipping charges to return the product to Buyer. However, Buyer shall pay all shipping charges, duties, and taxes for products returned to Agilent Technologies from another country.

Agilent Technologies warrants that its software and firmware designated by Agilent Technologies for use with an instrument will execute its programming instruction when properly installed on that instrument. Agilent Technologies does not warrant that the operation of the instrument, or software, or firmware will be uninterrupted or error free.

Limitation Of Warranty

The foregoing warranty shall not apply to defects resulting from improper or inadequate maintenance by Buyer, Buyer-supplied software or interfacing, unauthorized modification or misuse, operation outside of the environmental specifications for the product, or improper site preparation or maintenance.

No other warranty is expressed or implied. Agilent Technologies specifically disclaims the implied warranties of merchantability and fitness for a particular purpose.

Exclusive Remedies

The remedies provided herein are buyer's sole and exclusive remedies. Agilent Technologies shall not be liable for any direct, indirect, special, incidental, or consequential damages, whether based on contract, tort, or any other legal theory.

Assistance

Product maintenance agreements and other customer assistance agreements are available for Agilent Technologies products.

For any assistance, contact your nearest Agilent Technologies Sales and Service Office. Addresses are provided at the back of this manual.

Safety Symbols

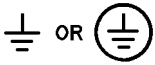
General definitions of safety symbols used on equipment or in manuals.



Instruction manual symbol: the product is marked with this symbol when it is necessary for the user to refer to the instruction manual in order to protect against damage to the instrument.



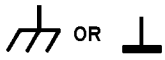
Indicates dangerous voltage (terminals fed from the interior by voltage exceeding 1000 volts must be so marked).



Protective conductor terminal. For protection against electrical shock in case of a fault. Used with wiring terminals to indicate the terminal which must be connected to ground before operating equipment.



Low-noise or noiseless, clean ground (earth) terminal. Used for a signal common, as well as providing protection against electrical shock in case of fault. A terminal marked with this symbol must be connected to ground in the manner described in the installation (Operation) manual, and before operating the equipment.



Frame or chassis terminal. A connection to the frame (chassis) of the equipment which normally includes all exposed metal structures.



Alternating current (power line).



Direct current (power line).



Alternating or direct current (power line).

Warning



Warning denotes a hazard. It calls attention to a procedure, practice, condition or the like, which, if not correctly performed or adhered to, could result in injury or death to personnel.

Caution



Caution sign denotes a hazard. It calls attention to a procedure, practice, condition or the like, which, if not correctly performed or adhered to, could result damage to or destruction of part or all of the product.

Note



Note denotes important information. It calls attention to a procedure, practice, condition or the like, which is essential to highlight.

APC-7® is a U.S. registered trademark of the Bunker Ramo Corporation.

viii

Contents

1. General Information	
Introduction	1-1
Manual Summary	1-1
Product Description	1-1
Applicable Instruments	1-1
Options Available	1-2
Accessories Supplied	1-2
Specifications	1-2
Supplemental Performance Characteristics	1-3
Residual Inductance of the Shorting Bar	1-4
2. Preparation for Use	
Introduction	2-1
Initial Inspection	2-1
Adjust the Configuration to SMD Size	2-3
Connecting the Test Fixture for Use	2-4
Repackaging the Test Fixture For Shipment	2-5
Measurement Error Correcting Function for Each Instrument	2-6
3. Operation	
Introduction	3-1
Operating Flow	3-1
Overview	3-2
How to set the SHORT condition, and the OPEN condition	3-3
Setting the SHORT condition	3-3
Setting the OPEN condition	3-5
How to connect the DUT	3-5
4. Service	
Introduction	4-1
General Information	4-1
Assembly Replacement	4-3
Disassembly and Assembly Procedure	4-3
Pressure Arm Assembly Removal:	4-3
Pressure Arm Assembly Disassemble:	4-3
Replaceable Parts	4-3
Troubleshooting	4-9
Open Impedance Check	4-9
Short Impedance Check	4-10
Short Impedance Repeatability Check	4-10

Figures

1-1. Applicable DUT Size	1-3
1-2. Simulation Setup	1-5
2-1. 16193A Product Overview	2-2
2-2. Electrodes configuration and DUT Size	2-3
2-3. Connecting the Test Fixture with APC-7 [®] Connector (4291B)	2-4
3-1. 16193A Test Fixture Overview	3-2
4-1. Replaceable Parts for Pressure Arm Assembly	4-5
4-2. Replaceable Parts for Test Stage Assembly	4-7
4-3. Obsolete parts manufactured earlier than 1996	4-8
4-4. Shorting Device Position	4-9

Tables

1-1. Furnished Accessories	1-2
1-2. Supplied Shorting Device Residual Inductance (Typical)	1-4
1-3. Option 010 Shorting Device Residual Inductance (Typical)	1-4
2-1. 16193A Contents	2-2
2-2. Measurement Error Correcting Functions for Each Instrument	2-6
4-1. 16193A Product Overview	4-2
4-2. Replaceable Parts for Main Assembly	4-4
4-3. Replaceable Parts for Pressure Arm Assembly	4-6
4-4. Replaceable Parts for Test Stage Assembly	4-8
4-5. Open Impedance Value Guideline	4-10
4-6. Short Impedance Value Guideline	4-10
4-7. Short Impedance Repeatability Guideline	4-10

General Information

Introduction

The purpose of this manual is to enable you to use your 16193A Small Side Electrode SMD Test Fixture efficiently and confidently.

Manual Summary

This manual contains the following:

- The specifications of the 16193A (see this chapter).
- Installing the 16193A (see Chapter 2).
- Operating the 16193A (see Chapter 3).
- Ordering replaceable parts for the 16193A (see Chapter 4).

Product Description

The 16193A is used to measure a small, side electrodes surface mount devise (SMD) with high repeatability.

Applicable Instruments

The 16193A has been designed to operate specifically with the following LCR meters and impedance analyzers:

You can directly connect the 16193A to:	4191A, 4291B, E4991A
You can use the 16193A with 43961A:	4395A (option 010), 4396A/B (option 010)
You can use the 16193A with 41951A:	4195A
You can use the 16193A with RF adapter 42942A:	4294A
You can use the 16193A with RF adapter 16085B:	4284A ¹
You can use the 16193A with RF adapter 16099A:	4194A with 41941A ²

¹ The 4284A is a typical instrument. Other 4-terminal pair instruments that can be used with the 16085B are also applicable.

² The 4194A with 41941A is a typical instrument. Other instruments that can be used with the 16099A are also applicable.

Options Available

The following option is supplied for the 16193A:

- Option 001 Delete the magnifying lens and tweezers
Option 010 Add industry standard size short bar set

Accessories Supplied

The following accessories are supplied with the 16193A:

Table 1-1. Furnished Accessories

Description	Part Number	Quantity
Operation and Service Manual	P/N 16193-90040	1
Shorting device (4 types)	P/N 16191-29001	1
	P/N 16191-29002	1
	P/N 16191-29003	1
	P/N 16191-29004	1
Case for shorting devices	P/N 1540-0692	1
Option 010 ^{*1}	P/N 16191-29005	1
	P/N 16191-29006	1
	P/N 16191-29007	1
	P/N 16191-29008	1
Magnifying lens	P/N 16193-60002	1
Tweezers	P/N 8710-2081	1
Wrench	P/N 8710-1181	1

^{*1} Option 010 sizes are the same as industry standard (EIA/EIAJ) SMD sizes. This short bar set has the following SMD sizes included : 1005(mm)/0402(inch), 1608(mm)/0603(inch), 2012(mm)/0805(inch), 3216(mm)/1206(inch). Order option 010 if the SMD that is to be measured has the same size as the EIA/EIAJ sizes.

Specifications

This section lists the complete 16193A specifications. These specifications are the performance standards and limits against which the 16193A is tested. When shipped from the factory, the 16193A meets the following specifications:

Maximum DC Bias Voltage	± 40V
Operating Temperature	-55 to +85°C
Operating Humidity (@wet bulb temperature <40°C)	15 % to 95 % RH
Non-operating Temperature	-55 to +85°C
Non-operating Humidity (@wet bulb temperature <65°C)	Up to 90 % RH
Weight	500 g
Dimension	150(W) × 70 (H) × 80(D) [mm]

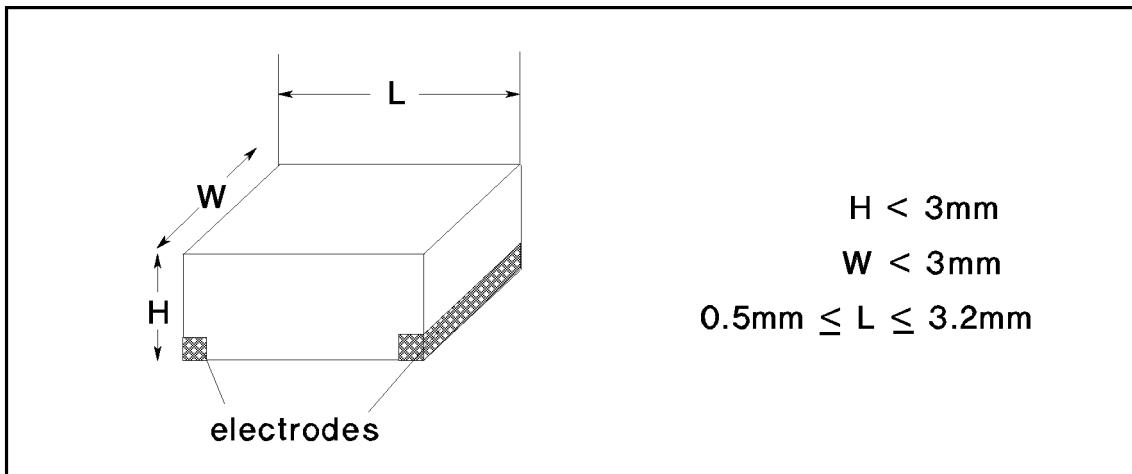
1-2 General Information

Supplemental Performance Characteristics

This section lists supplemental performance characteristics. Supplemental performance characteristics are not specifications, but are typical characteristics included as additional information for the operator. Supplemental performance characteristics are not guaranteed.

Frequency Range	DC to 2 GHz
Applicable DUT size (see Figure 1-1)	0.5 mm to 3.2 mm
Supplied shorting device size	
P/N 16191-29001	1 × 1 × 2.4 [mm]
P/N 16191-29002	1.6 × 2.4 × 2 [mm]
P/N 16191-29003	2.4 × 2.4 × 3.2 [mm]
P/N 16191-29004	2.4 × 2.4 × 4.5 [mm]
Option 010 shorting device size	
P/N 16191-29005	1.0(L) × 0.5(W) × 0.5(H) [mm]
P/N 16191-29006	1.6(L) × 0.8(W) × 0.8(H) [mm]
P/N 16191-29007	2.0(L) × 1.2(W) × 0.8(H) [mm]
P/N 16191-29008	3.2(L) × 1.6(W) × 0.8(H) [mm]
Electrical length (when the length between electrodes is 2 mm)	14.0 mm
Additional Error*	1.5 × f ² [%]
Repeatability*	
(for inductive component)	30 + 250 × f [mΩ]
	(impedance of 30 mΩ, 40 pH)
.....	2 + 30 × f [μS]
	(admittance of 2 μS, 5 fF)

* f: frequency (GHz)



AC201001

Figure 1-1. Applicable DUT Size

Residual Inductance of the Shorting Bar

The usual method to compensate the test fixture's residual inductance is to let SHORT = 0H. In this method, the measurement result is the relative value of the measured impedance to the shorting bar's impedance. The short bar's residual inductance as a result of its size and shape is not estimated.

On the other hand, there is a definition method to let SHORT = x H. In this method, the measurement result is the absolute value of the device's impedance. The short bar's residual inductance as a result of its size and shape is estimated under specific conditions and is used as a reference value. This method, is useful for devices with values which are close to the short conditions of the measurement system.

The reference inductance values presented Table 1-2 and Table 1-3 were simulated as the relative difference to a disk-type 0 Ω termination on either the 7 mm or the 3.5 mm connector. The measurement of these short bars under other conditions than shown below cannot reproduce the reference inductance values.

Table 1-2. Supplied Shorting Device Residual Inductance (Typical)

Shorting Bar	l [mm]	d [mm]	h [mm]	Offset [mm]	Connector	Inductance (Typical)
P/N 16191-29001	1	2.4	1	0.75	3.5 mm	0.2 nH
P/N 16191-29002	1.6	2.4	2	0.45	3.5 mm	0.2 nH
P/N 16191-29002	2	2.4	1.6	0.25	3.5 mm	0.2 nH
P/N 16191-29002	2.4	2	1.6	1.3	7 mm	0.7 nH
P/N 16191-29003	3.2	2.4	2.4	0.9	7 mm	0.6 nH
P/N 16191-29004	4.5	2.4	2.4	0	7 mm	0.6 nH

Table 1-3. Option 010 Shorting Device Residual Inductance (Typical)

Shorting Bar	l [mm]	d [mm]	h [mm]	Offset [mm]	Connector	Inductance (Typical)
P/N 16191-29005	1.0	0.5	0.5	0.75	3.5 mm	0.5 nH
P/N 16191-29006	1.6	0.8	0.8	0.45	3.5 mm	0.4 nH
P/N 16191-29007	2.0	1.2	0.8	1.5	7 mm	0.9 nH
P/N 16191-29008	3.2	1.6	0.8	0.9	7 mm	0.8 nH

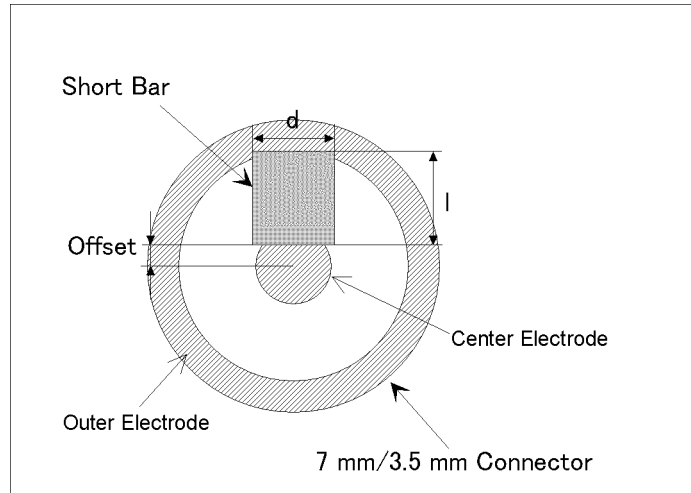


Figure 1-2. Simulation Setup

Preparation for Use

Introduction

This chapter explains how to install the 16193A. The topics include the following:

- Initial inspection.
- Connecting the test fixture for use.
- Repackaging the test fixture for shipment.
- Measurement error correcting function for each instrument.

Initial Inspection

The small side electrode SMD test fixture has been carefully inspected before being shipped from the factory. It should be in perfect physical condition, no scratches, dents or the like. It should also be in perfect electrical condition. Verify this by carefully performing an incoming inspection to check the small side electrode SMD test fixture set for signs of physical damage and missing contents. If any discrepancy is found, notify the carrier and Agilent Technologies. Your Agilent Technologies sales office will arrange for repair and replacement without waiting for the claim to be settled.

- Inspect the shipping container for damage. Keep the shipping materials until the inspection is completed.
- Verify that the shipping container contains everything shown in Figure 2-1 and listed in Table 2-1.
- Inspect the exterior of the 16193A for any signs of damage.

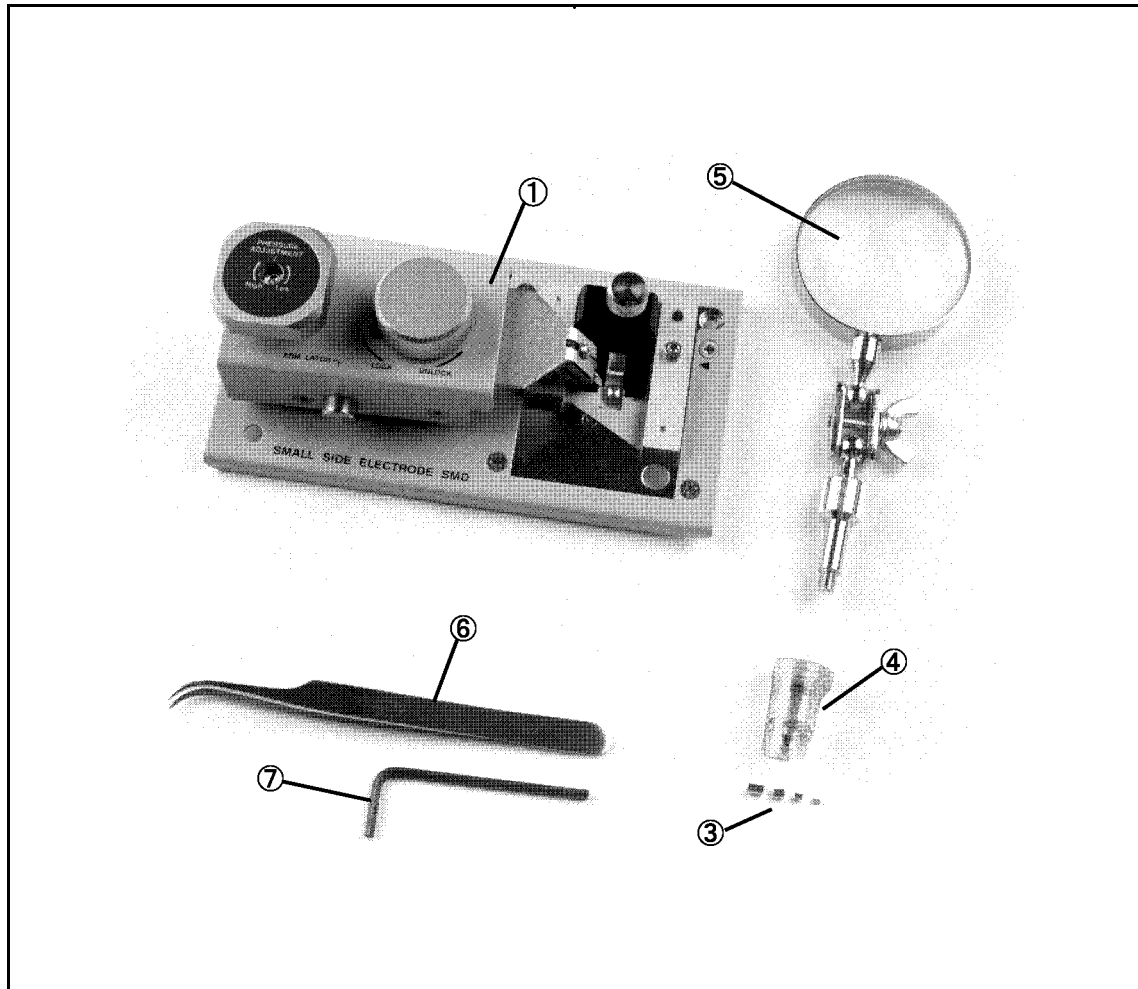


Figure 2-1. 16193A Product Overview

Table 2-1. 16193A Contents

Description	Agilent Part Number	Quantity	
① Test fixture	16193A	1	
② Operation and Service Manual ¹	P/N 16193-90040	1	
③ Shorting device ²	(1×1×2.4[mm])	P/N 16191-29001	1
	(1.6×2.4×2[mm])	P/N 16191-29002	1
	(2.4×2.4×3.2[mm])	P/N 16191-29003	1
	(2.4×2.4×4.5[mm])	P/N 16191-29004	1
④ Case for shorting device	P/N 1540-0692	1	
⑤ Magnifying lens ³⁴	P/N 16193-60002	1	
⑥ Tweezers ⁴	P/N 8710-2081	1	
⑦ Wrench	P/N 8710-1181	1	

1 Operation and Service Manual is not shown in Figure 2-1.

2 Depending on your order configuration.

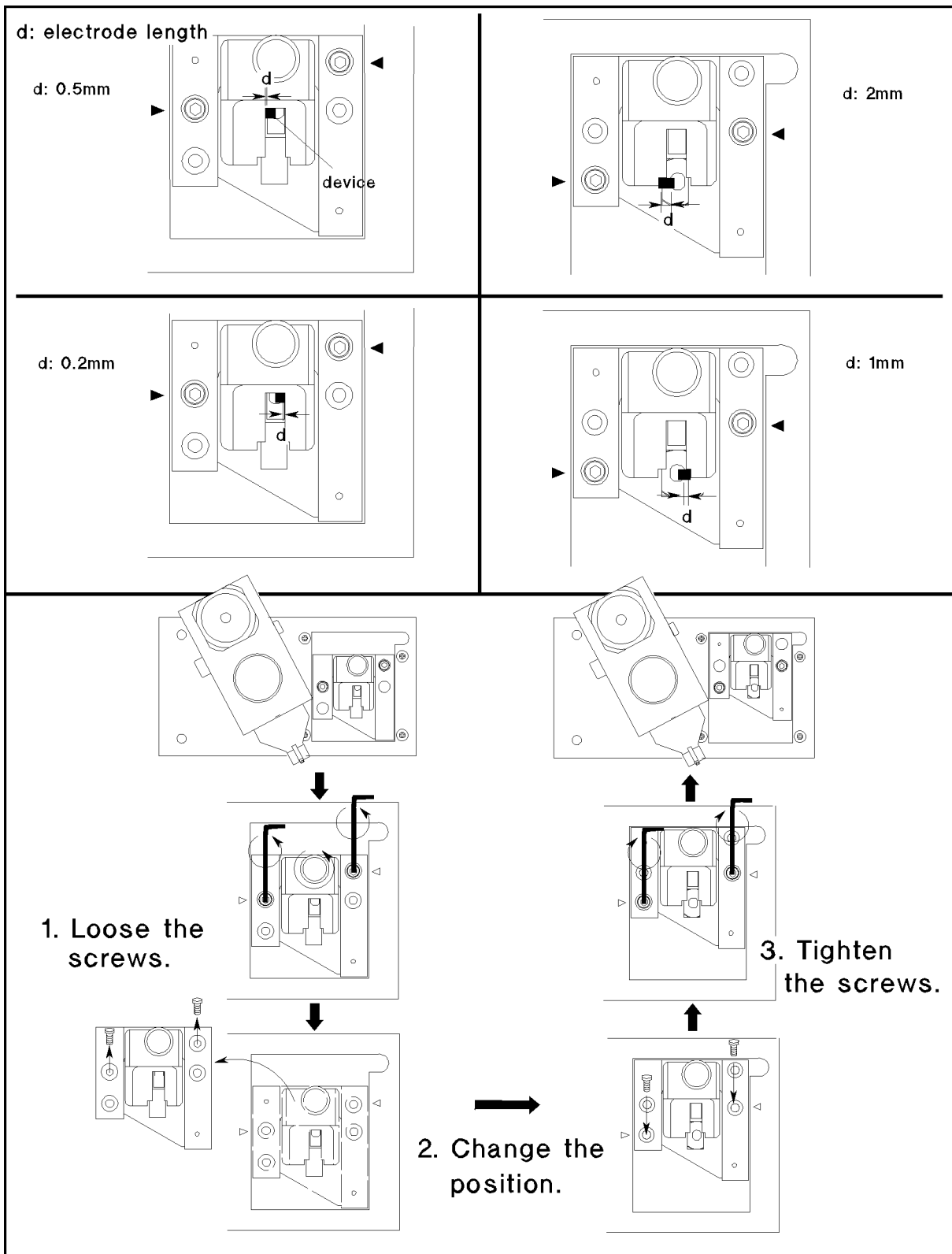
3 The magnifying lens is packed separately from the 16193A body. Connect it as shown in Figure 2-1.

4 Not contained if you ordered the 16193A option 001.

2.2 Preparation for Use

Adjust the Configuration to SMD Size

The 16193A's electrodes length are 0.2 mm, 0.5 mm, 1 mm, and 2 mm, change the electrodes configuration to match the SMD as follows:



AC202.002

Figure 2-2. Electrodes configuration and DUT Size

Connecting the Test Fixture for Use

Note



Some instruments require an adapter to be connected to the 16193A (see “Applicable Instruments” in Chapter 1).

1. Calibrate your analyzer at the APC-7[®] connector plane before connecting test fixture. See Table 2-2 for the applicable error correcting function. After calibration, disconnect any standards from the APC-7[®] connector.
2. Place the fixture on the APC-7[®] connector.
3. Tighten (turn counterclockwise) the coupling nut of the APC-7[®] connector.

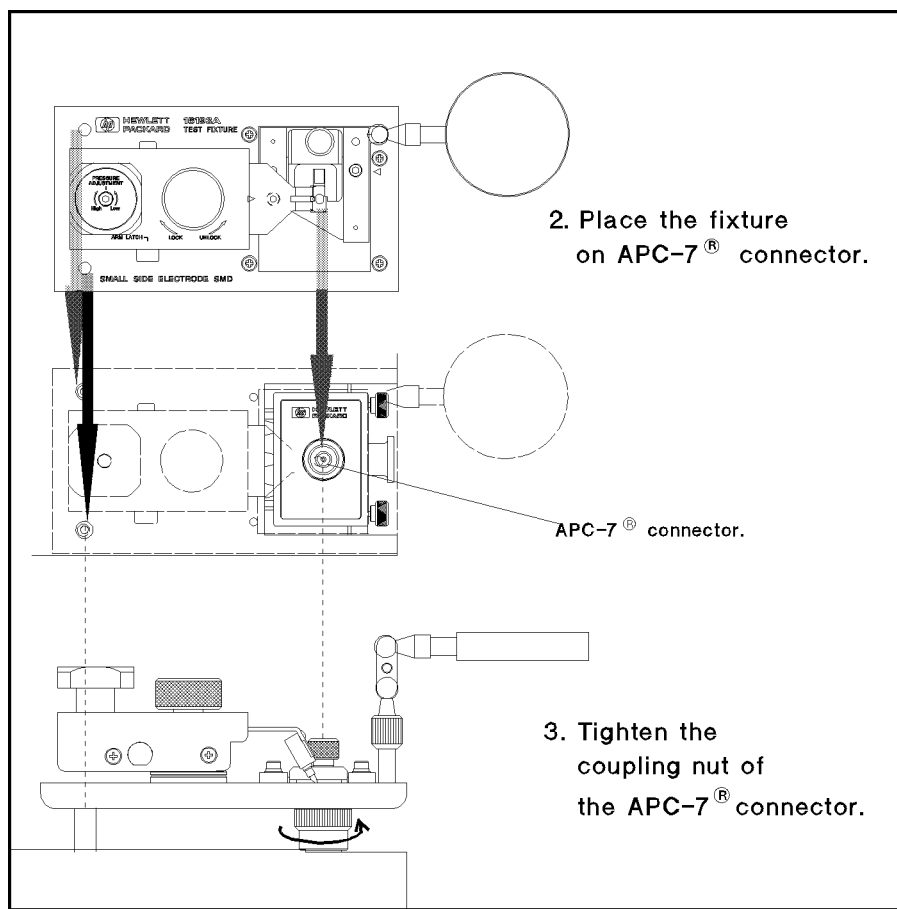


Figure 2-3. Connecting the Test Fixture with APC-7[®] Connector (4291B)

Repackaging the Test Fixture For Shipment

If shipment to an Agilent Technologies service center is required, each test fixture should be repackaged using the original factory packaging materials.

If this material is not available, comparable packaging materials may be used. Wrap the small side electrode SMD test fixture in heavy paper and pack in anti-static plastic packing material. Use sufficient shock absorbing material on all sides of the 16193A to provide a thick, firm cushion and to prevent movement. Seal the shipping container securely and mark it *FRAGILE*.

Measurement Error Correcting Function for Each Instrument

Each LCR meter or analyzer has measurement error correcting functions. Table 2-2 shows the functions of the instrument that can be used for calibration, setting the electrical length, and Open/Short/Load compensation.

Table 2-2. Measurement Error Correcting Functions for Each Instrument

Instrument	Calibration	Electrical length	OPEN Compensation	SHORT Compensation	LOAD Compensation
4291B	Calibration OPEN SHORT LOAD LOW-LOSS Capacitor ¹	Selecting Test Fixture Port Extension	OPEN Compensation	SHORT Compensation	LOAD Compensation ¹
4191A	Calibration 0 S 0 Ω 50 Ω	Electrical Length	No capability	No capability	No capability
4194A with 16085B	No capability	No capability	OPEN Correction	SHORT Correction	LOAD Correction ¹
4195A with 41951A	Calibration OPEN SHORT LOAD	Port Extension (Port 1 or Port 2)	0 S OFFSET	0 Ω OFFSET	No capability
4194A with 41941A/B, 16099A	Calibration 0 S 0 Ω 50 Ω	No capability	Compensation ZERO OPEN	Compensation ZERO SHORT	No capability
4194A with 16085B	Calibration 0 S 0 Ω 50 Ω	No capability	Compensation ZERO OPEN	Compensation ZERO SHORT	No capability

¹ According to demand for precise measurement

Operation

Introduction

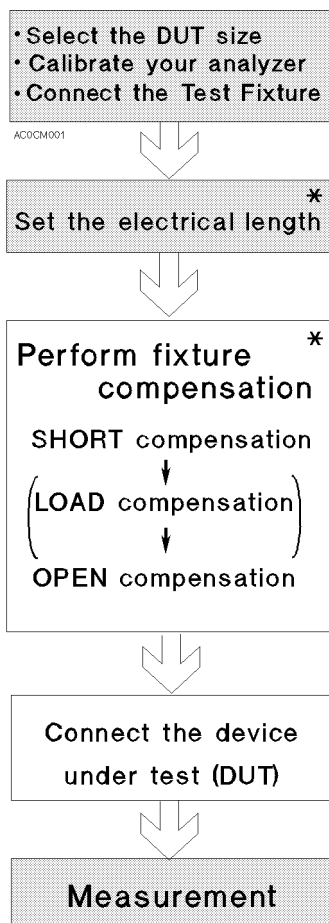
This chapter describes how to use the test fixture and the measurement error correcting techniques for the test fixture.

Operating Flow

Before performing a measurement, you have to compensate for the residual error of the test fixture by using the measurement error correcting functions. Perform the following steps when measuring the DUT:

The 16193A has inherent stray capacitance, residual inductance, and residual resistance that affect the measurement. To compensate for these residuals and thus minimize their effect on measurement accuracy, the measurement instrument's OPEN and SHORT compensation capabilities must be used.

(▶ indicates procedures in the following pages.)



Described in Chapter 2.

The 16193A's electrical length is 14.0 mm (typical value).
To set the electrical length, see your analyzer's Operation Manual.

To set the fixture and devices for fixture compensation, see:

▶ "How to set the SHORT condition, and the OPEN condition"

These procedures show how to set the test fixture for the OPEN/SHORT/LOAD compensation procedure.

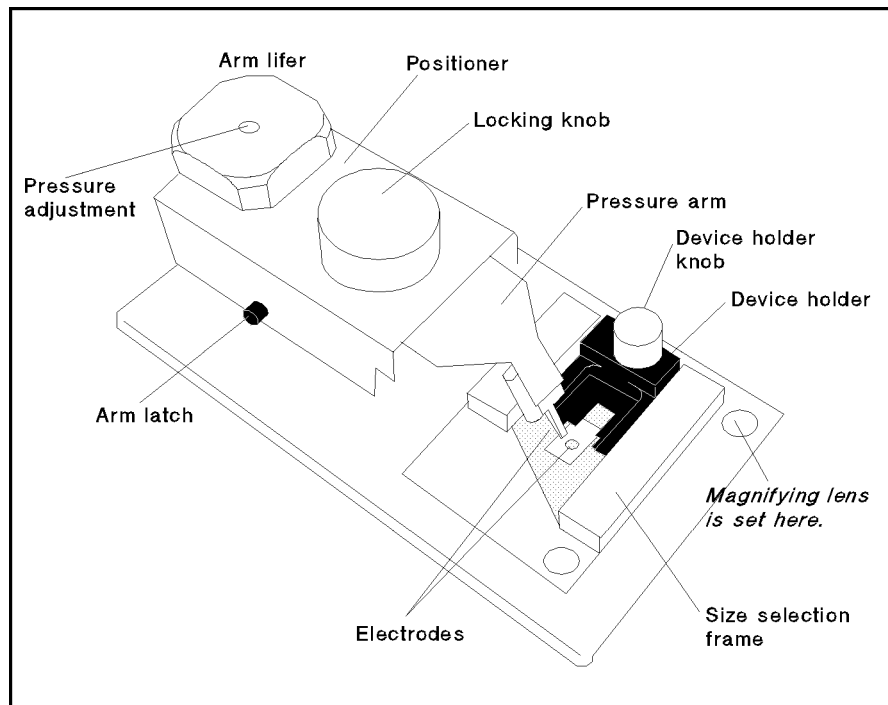
For how to measure OPEN/SHORT/LOAD, see the Operation Manual supplied with your analyzer. (You can omit LOAD compensation.)

To connect the DUT, see:

▶ "How to connect the DUT"

* The compensating functions are different for each instrument. See Table 2-2 and perform the listed functions.

Overview



AC203002

Figure 3-1. 16193A Test Fixture Overview

Arm lifter	Tilts the pressure arm up.
Positioner	Slides to set the pressure arm atop the DUT.
Locking knob	Fixes the positioner.
(Pressure) arm	Fixes the DUT.
(Device) holder knob	Fixes the holder.
(Device) holder	Holds the DUT.
(Size selection) frame	Fixes the electrode.
Electrodes	These are connected to the device.
Arm latch	Latches the pressure arm tilted up. (Push the arm latch, tilt the arm up by pushing the arm lifter. To set the latch to off, push the arm lifter.)
Pressure adjustment	Adjusts the pressure load on the device.
Shorting device	<i>(Not shown in Figure 3-1)</i> Used for short compensation. Four types of shorting devices are supplied with the 16193A. Use one that has dimensions similar to the DUT. When making a shorting device of same dimensions as your DUT, very low residual impedance and a high conductivity metal (that is not easily corroded) must be used to construct the shorting device. (It must also be clean.)
Magnifying lens	<i>(Not shown in Figure 3-1)</i> Used to set a small device within the electrodes.

Warning

DO NOT look at the sun through the magnifying glass.

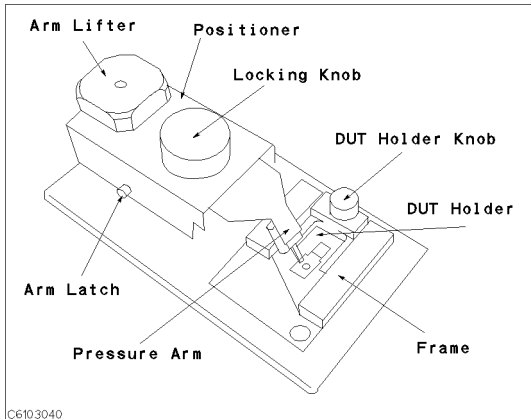


DO NOT operate or leave the magnifying glass under direct sunlight.

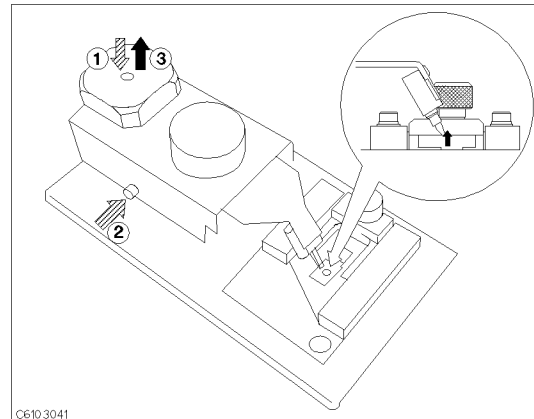
3-2 Operation

How to set the SHORT condition, and the OPEN condition

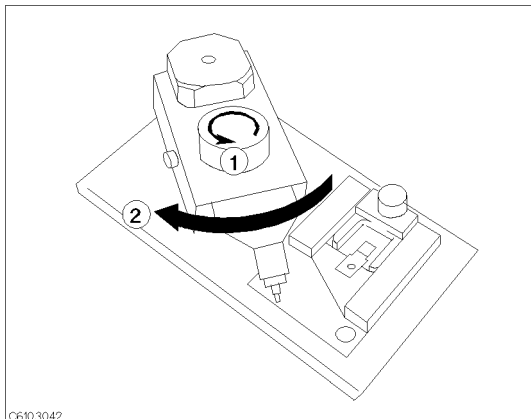
Setting the SHORT condition



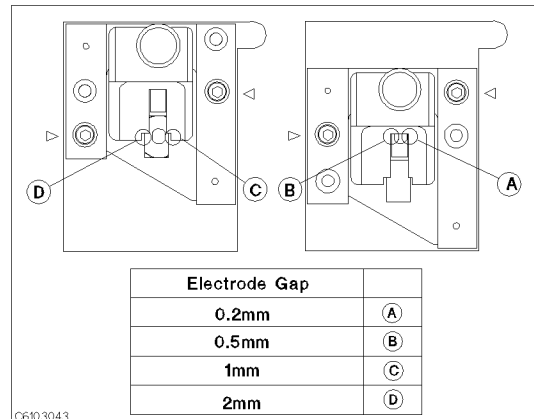
The names of each part are listed above.



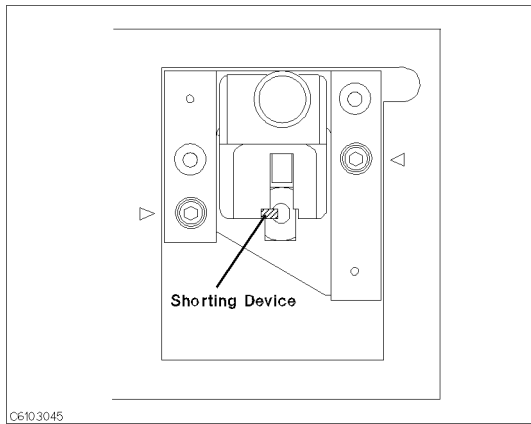
1. ① Push the arm lifter. ② Push the arm latch button. ③ Release the arm lifter while pushing the arm latch button so that the pressure arm is held.



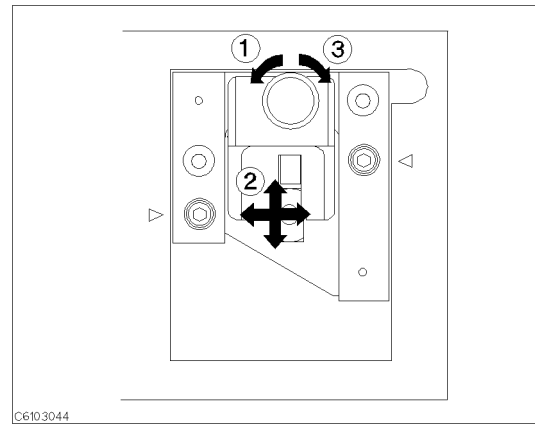
2. ① Loosen the locking knob. ② Rotate the positioner until the nose of the pressure arm is located outside the stage.



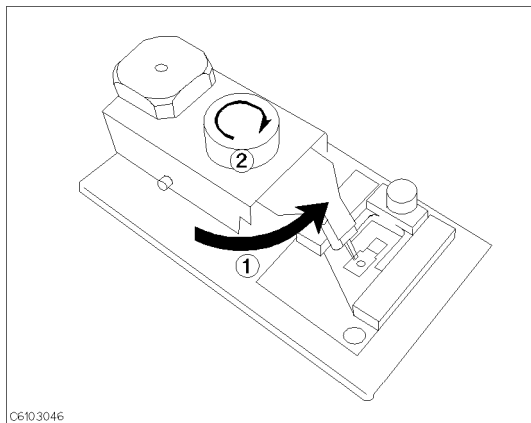
3. Position the size selection frame depending on the size of the DUT. (This procedure shows the case for D as an example.)



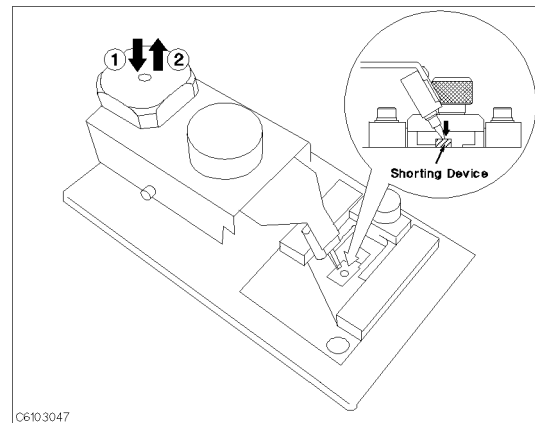
4. Place the shorting device on the electrode.



5. ① Loosen the knob. ② Position the DUT holder so that the short bar contacts both electrodes. ③ Tighten the knob to fix the DUT holder.



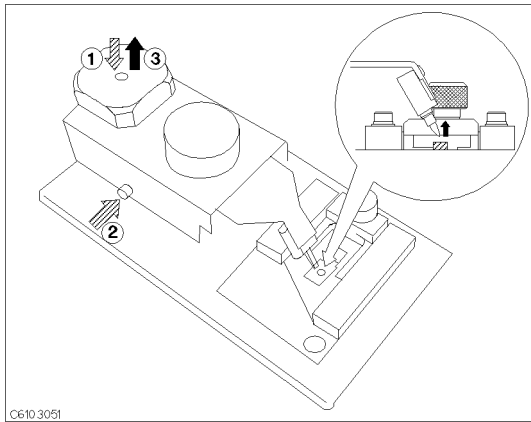
6. ① Reposition the positioner so that the nose of the pressure arm is just above the shorting device. ② Tighten the locking knob.



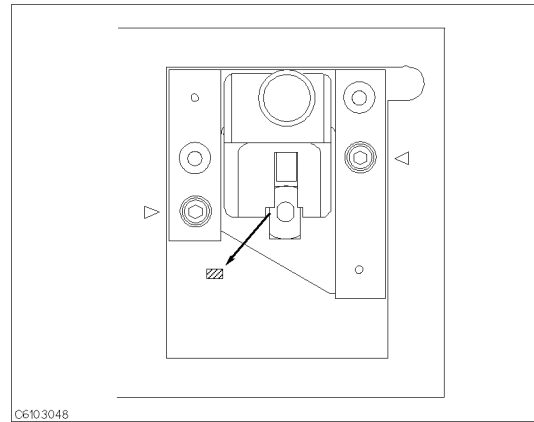
7. ① Push the arm lifter so that the arm latch is released. ② Let down the pressure arm to press down the shorting device.

3-4 Operation

Setting the OPEN condition

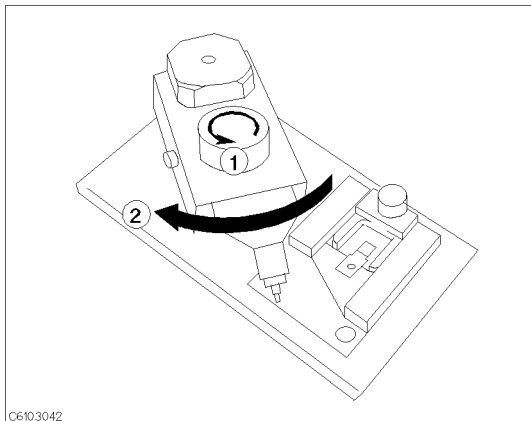


1. ① Push the arm lifter. ② Push the arm latch button. ③ Release the arm lifter while pushing the arm latch button so that the pressure arm is held.

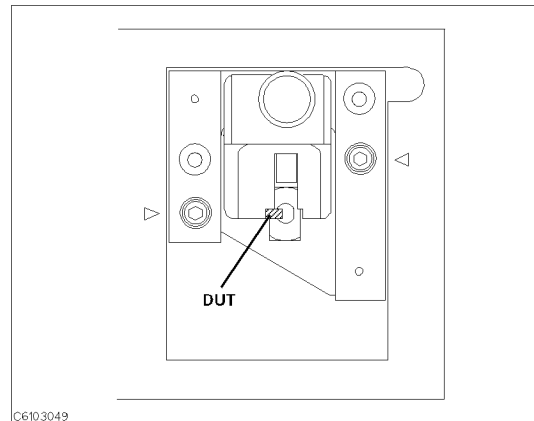


2. Remove the shorting device.

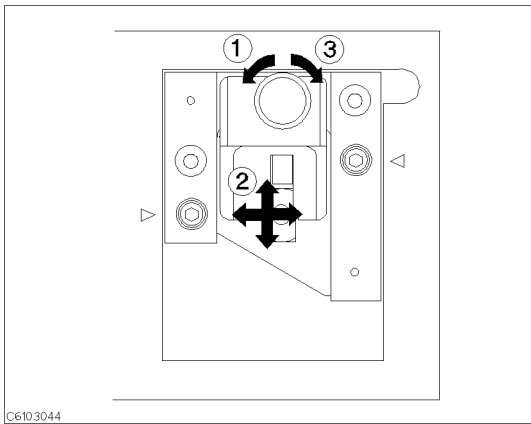
How to connect the DUT



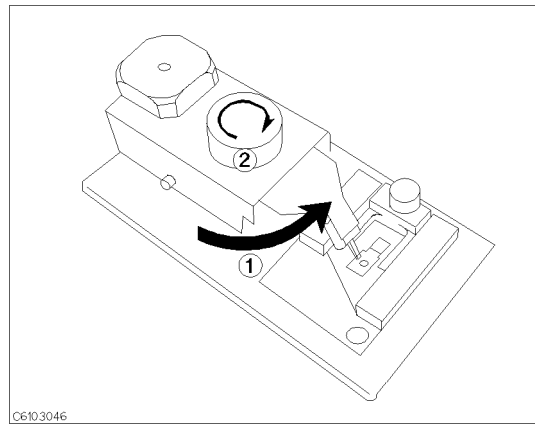
1. ① Loosen the locking knob. ② Rotate the positioner until the nose of the pressure arm is located outside the frame.



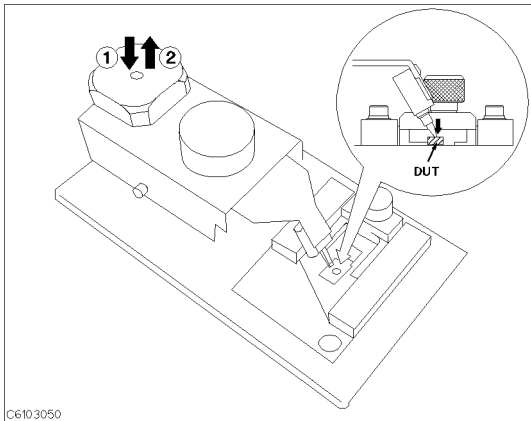
2. Place the DUT on the electrode.



3. ① Loosen the knob. ② Position the DUT holder so that the DUT contacts both electrodes. ③ Tighten the knob.



① Reposition the positioner so that the nose of the pressure arm is just above the DUT. ② Tighten the locking knob.



3. ① Push the arm lifter so that the arm latch is released. ② Let down the pressure arm to press down the DUT.

3-6 Operation

Service

Introduction

This chapter covers the following subjects:

- General Information
- Assembly Replacement
 - Disassembly Procedure for the Main Assembly
 - Replaceable Parts
- Troubleshooting

Warning



These servicing instructions are for use by qualified personnel only. Do NOT perform any servicing (other than that contained in the operating section) unless you are qualified to do so.

Caution

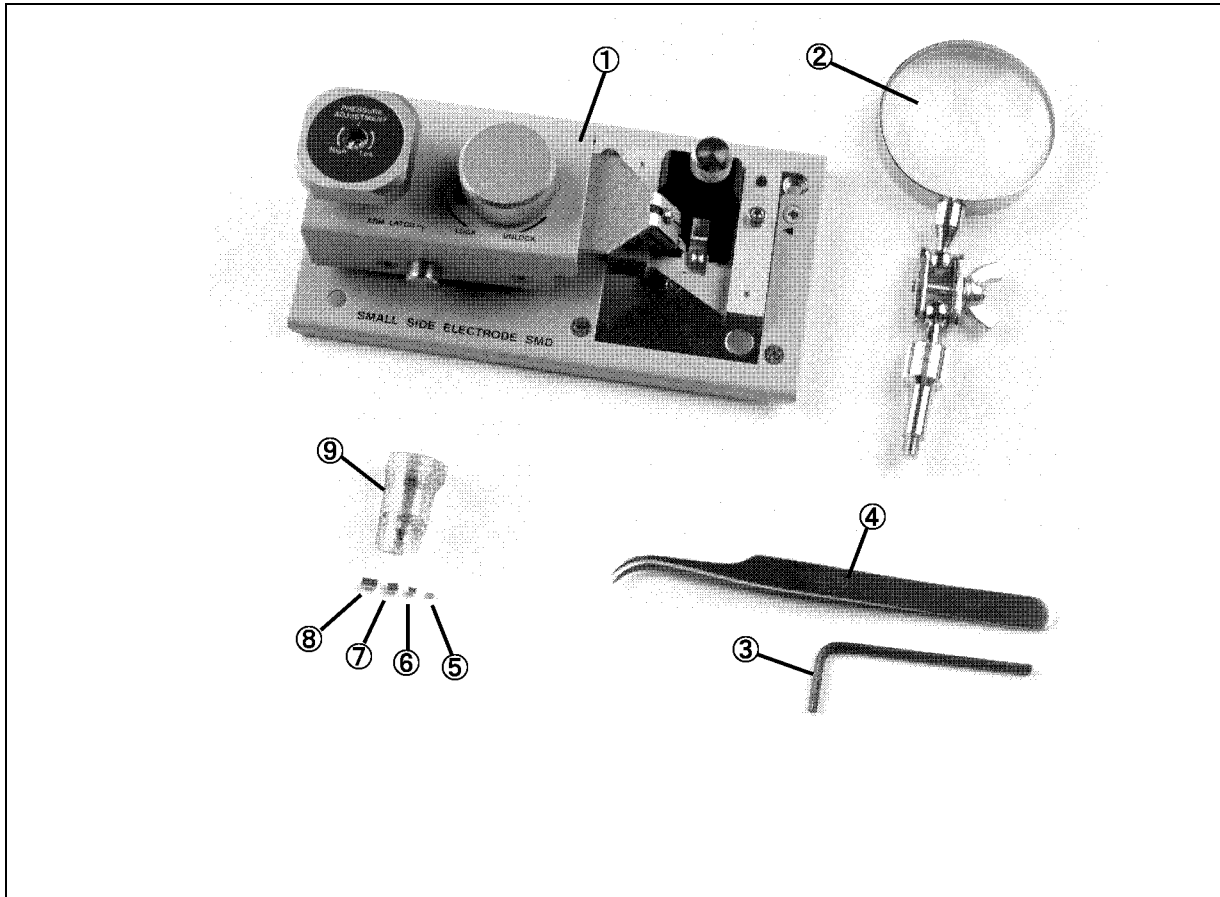


When you repair the 16193A, put on lint-free gloves to avoid contaminating inner parts of the 16193A. Agilent Technologies supplies lint-free gloves (Agilent part number 9300-0163).

General Information

Table 4-1 shows all items included with the 16193A Small Side Electrode SMD Test Fixture.

Table 4-1. 16193A Product Overview



Reference Designator	Agilent Part Number	Qty.	Description
1	(not assigned)	1	Main Assembly
2	16193-60002	1	Magnifying Glass
3	8710-1181	1	Wrench
4	8710-2081	1	Tweezers
5	16191-29001	1	Shorting Device (1×1×2.4 mm)
6	16191-29002	1	Shorting Device (1.6×2.4×2 mm)
7	16191-29003	1	Shorting Device (2.4×2.4×3.2 mm)
8	16191-29004	1	Shorting Device (2.4×2.4×4.5 mm)
9	1540-0692	1	Case for shorting devices
-	16191-29021	1	Styrofoam Holder ¹
-	16193-90040	1	Operation and Service Manual ¹

¹ Not shown in the figure.

4-2 Service

Assembly Replacement

This section includes Disassembly and Assembly Procedures and Replacement Parts for the Main Assembly.

Disassembly and Assembly Procedure

This section contains the information required to disassemble and assemble the Main Assembly.

Pressure Arm Assembly Removal:

1. Rotate the Locking Knob counter-clockwise and remove it (see Table 4-2).
2. Remove the Pressure Arm Assembly (including Spring, Bushing, and Washer) from the Test Stage Assembly.

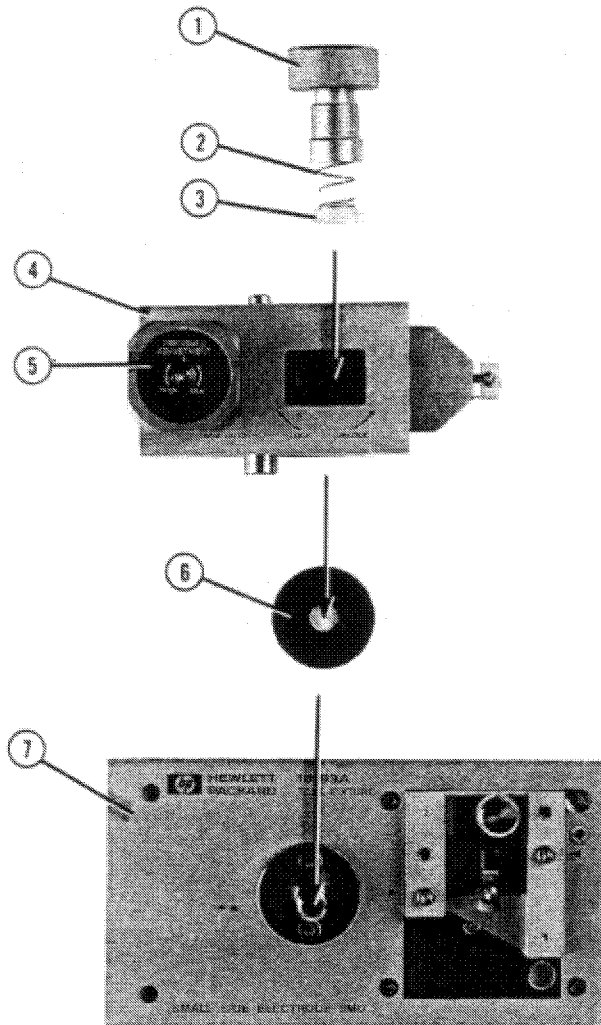
Pressure Arm Assembly Disassemble:

1. Remove two screws (marked with “8” and “12” in Figure 4-1).
2. Remove bottom cover (marked with “1” in Figure 4-1).
3. Remove other screws and other parts.

Replaceable Parts

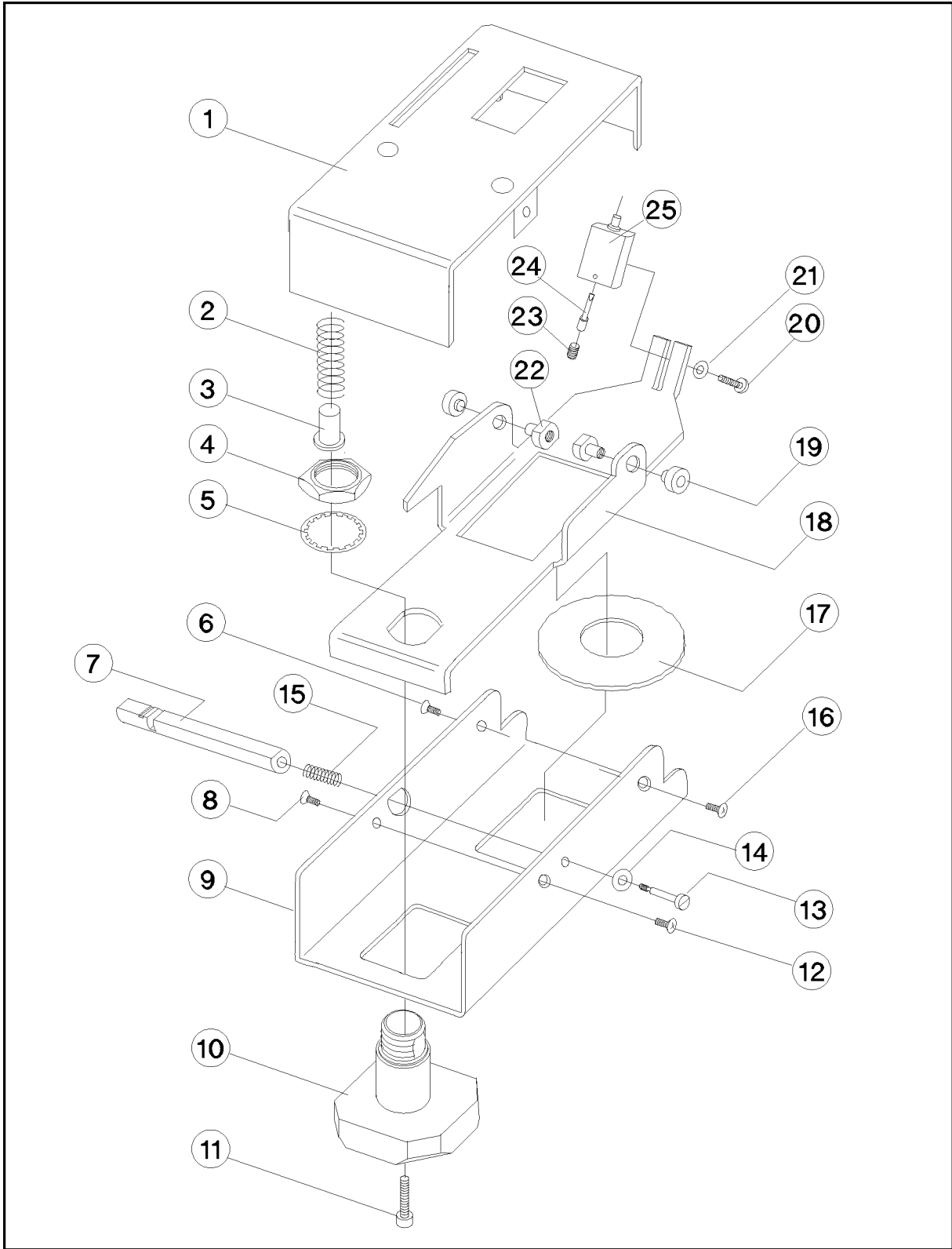
Table 4-2 through Table 4-4 show and list the replaceable parts for the Main Assembly. The parts listed can be ordered from your nearest Agilent Technologies Office. Ordering information must include the Agilent part number and the quantity required.

Table 4-2. Replaceable Parts for Main Assembly



Reference Designator	Agilent Part Number	Qty.	Description
1	16193-23004	1	Locking Knob
2	1460-2368	1	Spring
3	16193-25003	1	Bushing
4	(not assigned)	1	Pressure Arm Assembly
5	16193-87101	1	Label
6	16193-25004	1	Washer
7	(not assigned)	1	Test Stage Assembly

4.4 Service

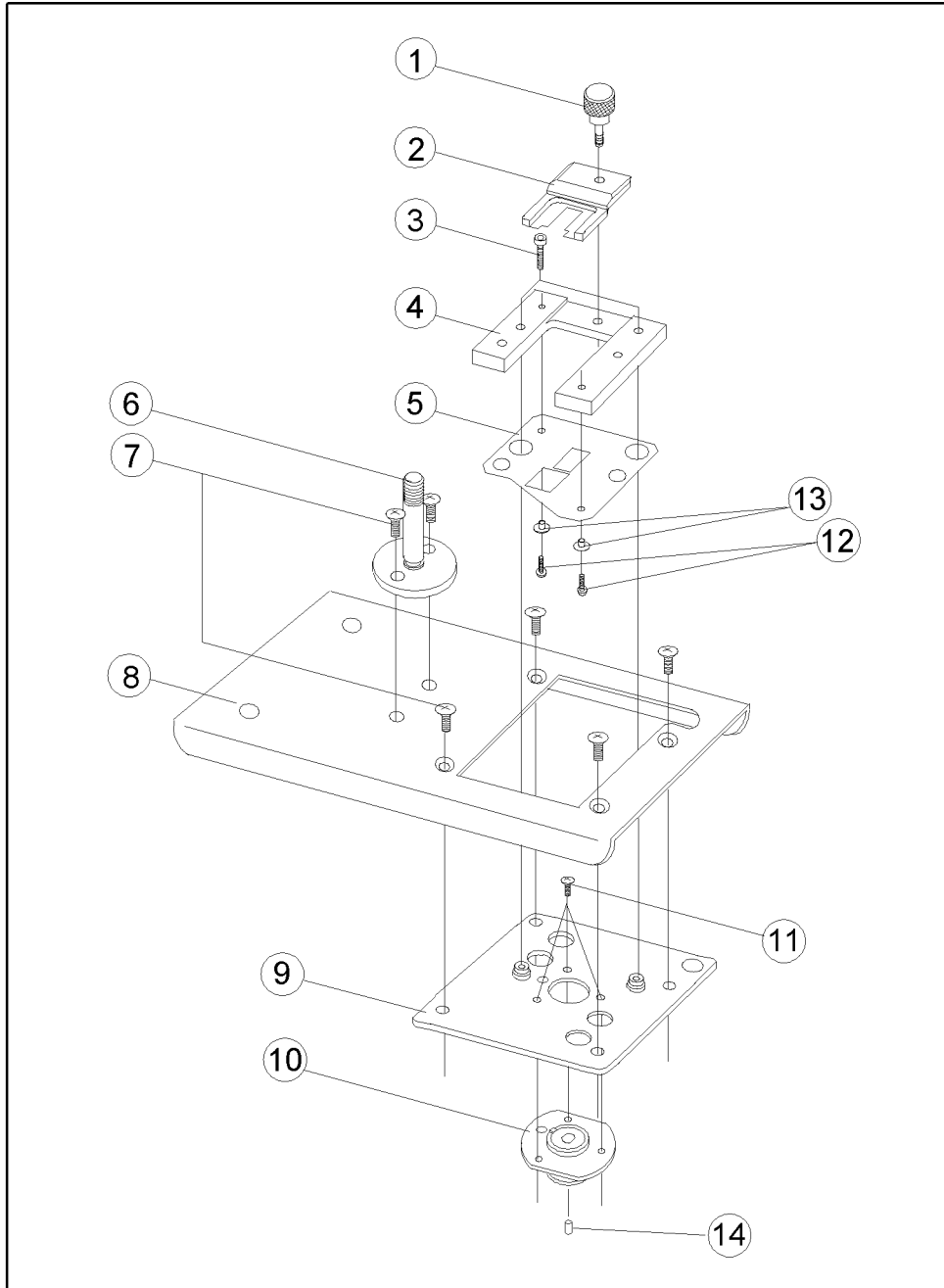


AC204003

Figure 4-1. Replaceable Parts for Pressure Arm Assembly

Table 4-3. Replaceable Parts for Pressure Arm Assembly

Reference Designator	Agilent Part Number	Qty.	Description
1	16193-04002	1	Bottom Cover
2	1460-2367	1	Spring
3	16193-23005	1	Shaft
4	2950-0054	1	Nut
5	2190-0054	1	Washer
6, 16	0515-0914	2	Screw Flat Head M3L6
7	16193-25006	1	Arm Latch
8, 12	0515-0914	2	Screw Flat Head M3L6
9	16193-04001	1	Top Cover
10	16193-24008	1	Screw
11	0515-1052	1	Screw Socket Head M3L12
13	16193-25007	1	Screw
14	3050-1139	1	Flat Washer, Teflon
15	1460-2316	1	Spring
17	16193-25008	1	Spacer
18	16193-01201	1	Angle
19	16193-25005	2	Bushing
20	0515-0976	1	Screw Pan Head M2L6
21	3050-1066	1	Flat Washer M2
22	16193-24007	2	Nut
23	3030-0285	1	Set Screw 6-32
24	16193-23001	1	Rod
25	16193-23002	1	Holder



AC204007

Figure 4-2. Replaceable Parts for Test Stage Assembly

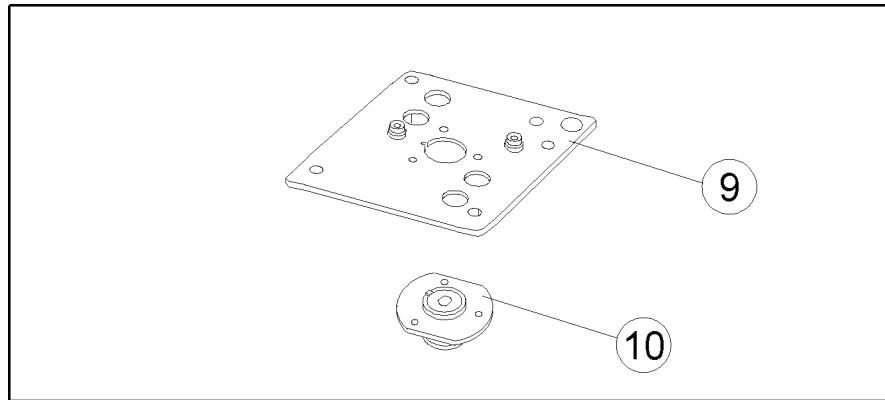
Table 4-4. Replaceable Parts for Test Stage Assembly

Reference Designator	Agilent Part Number	Qty.	Description
1	16193-24011	1	Device Holder Knob
2	16193-25009	1	Device Holder
3	0515-1050	2	Screw Socket Head M3L8
4	16193-24004	1	Size Selection Frame
5	16193-00613	1	Plate
6	16193-23003	1	Flange
7	0515-0914	6	Screw Flat Head M3L6
8	16193-00201	1	Table
9	16193-00604	1	Ground Plate
10	16193-60011	1	Contact Assembly
11	0515-0952	3	Screw Flat Head M2L4
12	0515-0976	2	Screw Pan Head M2L6
13	16193-24005	2	Spacer
14	1250-0907	1	Contact-RF Connector

Caution



If your 16193A test fixture was manufactured earlier than 1996 and you need to replace either the plate (Figure 4-3: 9) or the contact assembly (Figure 4-3: 10), it will be necessary to buy replacements for both parts (Figure 4-2: 9 and 10) since they were modified at the same time. Neither of the new parts (Figure 4-2: 9 and 10) can be fitted to the other obsolete parts (Figure 4-3: 9 and 10).



AC204008

Figure 4-3. Obsolete parts manufactured earlier than 1996

Troubleshooting

This section includes the functional check procedure used to troubleshoot the 16193A Small Side Electrode SMD Test Fixture.

Open Impedance Check

1. Set the Size Selection Frame to the position for small size DUT.
2. Adjust the Device Holder for connecting the 1×1×2.4 mm Shorting Device (PN 16191-29001).
(Refer to Figure 4-4.)

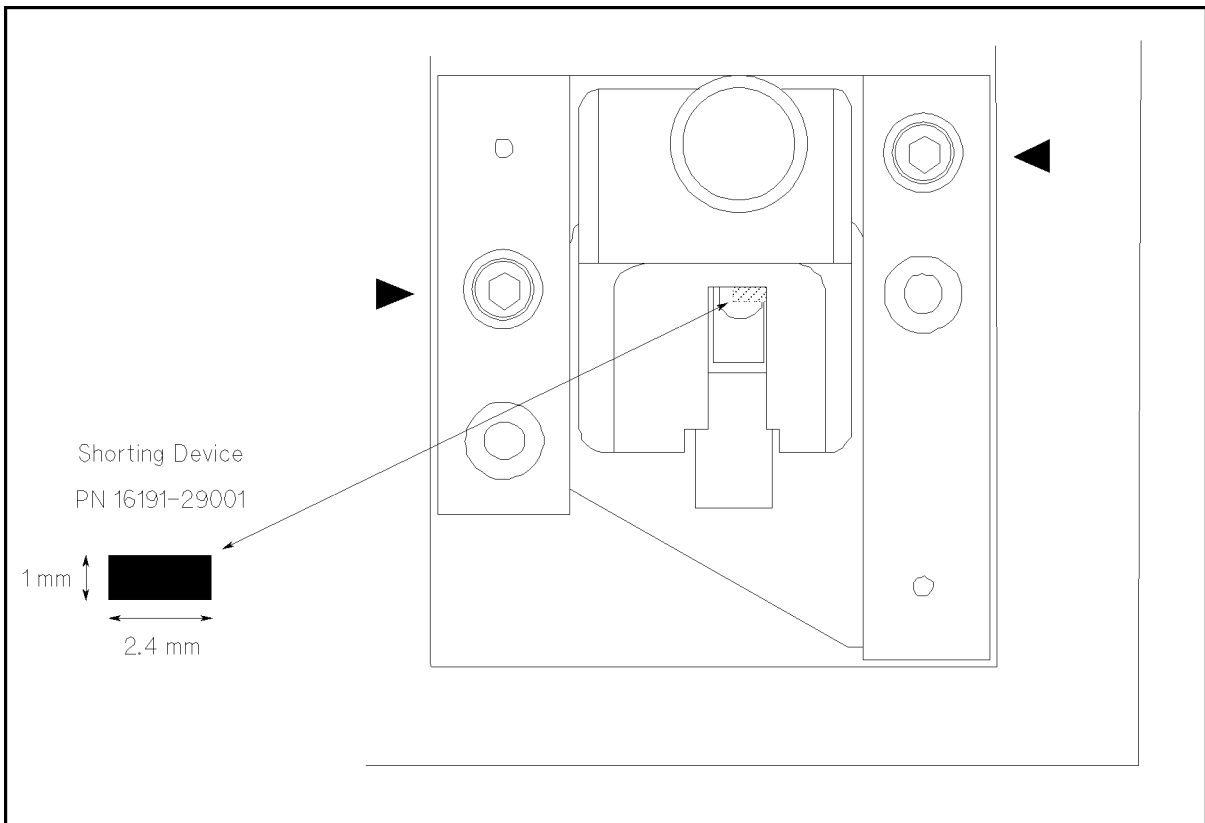


Figure 4-4. Shorting Device Position

3. Place the fixture on the calibrated APC-7[®] terminal of the 4291B RF Impedance/Material Analyzer.
4. Set the 4291B RF Impedance/Material Analyzer as follows:

Measurement Parameter	Cp (parallel capacitance)
Start Frequency	100 MHz
Stop Frequency	1 GHz
OSC Level	0.12 V
Number of Point	2
Point Averaging Factor	16
Point Averaging	ON
5. Perform a single sweep measurement.

6. Read Cp value at 100 MHz and 1 GHz.

The guideline for the open impedance value is as follows:

Table 4-5. Open Impedance Value Guideline

Parameter	Frequency	Guideline (absolute value)
Cp	100 MHz	750 fF \pm 400 fF
Cp	1 GHz	750 fF \pm 400 fF

Short Impedance Check

1. After the Open Impedance Check is completed, put the 1×1×2.4 mm Shorting Device (PN 16191-29001) between the center electrode and the ground electrode (refer to Figure 4-4).
2. Set the 4291B RF Impedance/Material Analyzer as follows:

Measurement Parameter	Ls (series inductance)
Start Frequency	100 MHz
Stop Frequency	1 GHz
OSC Level	0.12 V
Number of Point	2
Point Averaging Factor	16
Point Averaging	ON

3. Perform a single sweep measurement.
4. Read Ls value at 100 MHz and 1 GHz.

The guideline for the short impedance value is as follows:

Table 4-6. Short Impedance Value Guideline

Parameter	Frequency	Guideline (absolute value)
Ls	100 MHz	2 nH \pm 1 nH
Ls	1 GHz	2 nH \pm 1 nH

Short Impedance Repeatability Check

1. After the Short Impedance Check is completed, remove the Shorting Device and put it back on the same place again (refer to Figure 4-4).
2. Perform a single sweep measurement with the same measurement conditions.
3. Read Ls value at 100 MHz and 1 GHz and check the value is within the Short Impedance Value Guideline described in Table 4-6.
4. Calculate the difference between the first Ls measurement value and second Ls measurement value at each frequency.

The guideline for the short impedance repeatability is as follows:

Table 4-7. Short Impedance Repeatability Guideline

Parameter	Frequency	Guideline (difference)
Ls	100 MHz	\pm 45 pH
Ls	1 GHz	\pm 20 pH

REGIONAL SALES AND SUPPORT OFFICES

For more information about Agilent Technologies test and measurement products, applications, services, and for a current sales office listing, visit our web site: <http://www.agilent.com/find/tmdir>. You can also contact one of the following centers and ask for a test and measurement sales representative. 11/29/99

United States:

Agilent Technologies
Test and Measurement Call Center
P.O.Box 4026
Englewood, CO 80155-4026
(tel) 1 800 452 4844

(fax) (61 3) 9272 0749
(tel) 0 800 738 378 (New Zealand)
(fax) (64 4) 802 6881

Canada:

Agilent Technologies Canada Inc.
5150 Spectrum Way
Mississauga, Ontario
L4W 5G1
(tel) 1 877 894 4414

Asia Pacific:

Agilent Technologies
24/F, Cityplaza One, 1111 King's Road,
Taikoo Shing, Hong Kong
(tel) (852)-3197-7777
(fax) (852)-2506-9284

Europe:

Agilent Technologies
Test & Measurement
European Marketing Organization
P.O.Box 999
1180 AZ Amstelveen
The Netherlands
(tel) (31 20) 547 9999

Japan:

Agilent Technologies Japan Ltd.
Call Center
9-1, Takakura-Cho, Hachioji-Shi,
Tokyo 192-8510, Japan
(tel) (81) 426 56 7832
(fax) (81) 426 56 7840

Latin America:

Agilent Technologies
Latin American Region Headquarters
5200 Blue Lagoon Drive, Suite #950
Miami, Florida 33126
U.S.A.
(tel) (305) 267 4245
(fax) (305) 267 4286

Australia/New Zealand:

Agilent Technologies Australia Pty Ltd
347 Burwood Highway
Forest Hill, Victoria 3131
(tel) 1-800 629 485 (Australia)

16193-90040

© Copyright Agilent Technologies, Inc.

1993, 1996, 1999, 2000, 2001

Printed in Japan 8/2001

Reorder No. 16193-90040

Free Manuals Download Website

<http://myh66.com>

<http://usermanuals.us>

<http://www.somanuals.com>

<http://www.4manuals.cc>

<http://www.manual-lib.com>

<http://www.404manual.com>

<http://www.luxmanual.com>

<http://aubethermostatmanual.com>

Golf course search by state

<http://golfingnear.com>

Email search by domain

<http://emailbydomain.com>

Auto manuals search

<http://auto.somanuals.com>

TV manuals search

<http://tv.somanuals.com>