

Agilent 87421A/87422A Power Supply

Product Overview

- Designed specifically for Agilent Technologies microwave system amplifiers
- Bias cable permits remote placement
- Compact size for easy system integration



The Agilent 87421A and 87422A power supplies are universal input, dc switching power supplies designed to provide the bias voltages needed to operate Agilent microwave system amplifiers.

These compact power supplies are ideal for integration into a system or for use on a benchtop. The 2 meter dc bias cable permits the amplifier to be remotely located, allowing it to be placed out of the way or where space is not critical.

The 87421A is a 25 watt, $\pm 12V$ dc power supply designed to power the Agilent 83006A, 83017A, 83018A, and 87415A microwave system amplifiers. A 2 meter cable is included for direct connection to the amplifier.

The 87422A is a 90 watt, $\pm 15V$ dc power supply designed to power the Agilent 83020A microwave system power amplifier. One additional $\pm 12V$ dc output is provided to power a preamp such as the 83006A or 83017A.

Included with the power supply are the necessary 2 meter cables to connect to the amplifier.

The 87421A may also be used to provide bias voltages for the Agilent 83440C high speed lightwave converter. Using the 83440-60009 lightwave converter power supply adapter, the 87421A becomes a compact, convenient power supply for use with the lightwave converter.

Product specifications

	Agilent 87421A	Agilent 87422A
Output voltage/current	+12V at 2 A -12V at 200 mA	+15V at 4.0 A -15V at 200 mA +12V at 2 A -12V at 200 mA
Output power	25 W	90 W
Line regulation	0.1%	0.1%
Load regulation (20% to full load)	2.0%	1.0%
Output ripple	25 mV RMS max	25 mV RMS max
Output noise	2% peak to peak max	2% peak to peak max
Overvoltage limit protected	Yes	Yes
Short circuit protection	Current limited for overload and shod circuit protection. Normal operation returns upon removal of overload.	Current limited for overload and short circuit protection. Normal operation returns upon removal of overload.
General specifications		
AC input voltage	90–250 VAC, 50/60 Hz	90–240 VAC, 50/60 Hz
Fuse	1 A, slow blow	T 3.15 A
Weight	0.9 kg (2.0 lb)	2.1 kg (4.6 lb)
Shipping weight	1.8 kg (4.0 lb)	3.2 kg (7.0 lb)
Environmental specifications		
Operating temperature	0° to +55° C full load	0° to +55° C full load
Storage temperature	-40° to +70° C	-40° to +70° C

Other product and operating information

Operation of the power supplies involves connecting the power supplies output to the amplifier dc input with the cable provided. The power supplies include a power cord with protective ground for connection to 90–240 VAC.

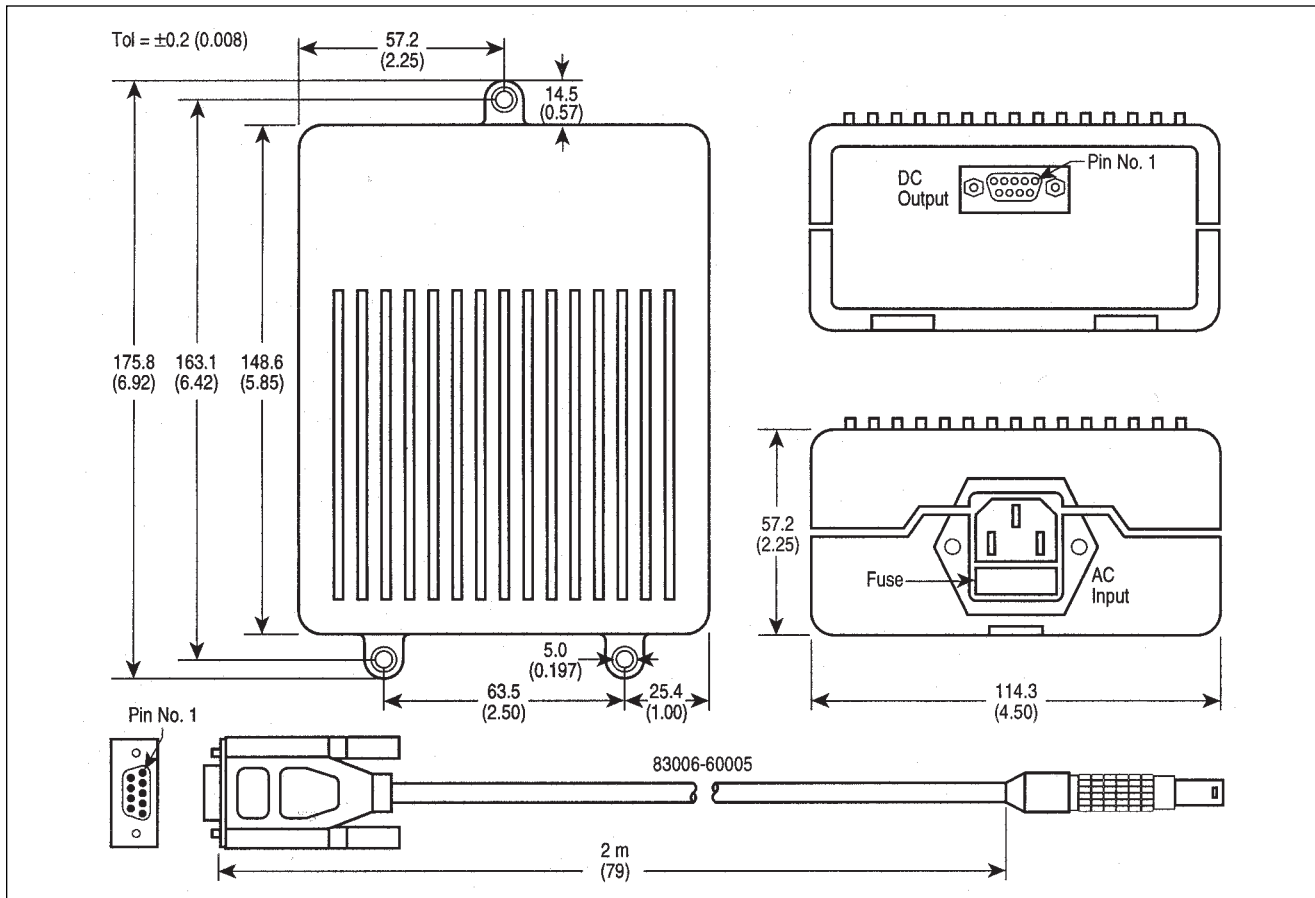
Mounting holes are provided as shown in the outline drawings. The power supplies may be mounted in any orientation with user supplied hardware.

To ensure continued compliance to product safety and EMC specifications, connect the power supplies to an amplifier only with the cable provided. Do not attempt to modify or extend the dc output

cable. For help with special applications requiring longer cables contact your Agilent call center listed on the back page.

The power supplies have a fuse located next to the IEC appliance inlet. If it is necessary to replace the fuse, disconnect the power supply from both AC power and the amplifier. Using a slotted screwdriver, open the fuse cover and replace the fuse.

The power supplies contain no user serviceable parts (with the exception of the fuse). If service is required, please contact your Agilent sales office or nearest Agilent Service Center.



The Agilent 87421A power supply provides the dc power needed to bias the 83006A, 83017A, and 83018A. The power supply comes with a 2 meter long cable to allow easy connection between the amplifier and the power supply. Dimensions in millimeters and (inches).

Ordering information

Agilent 87421A power supply

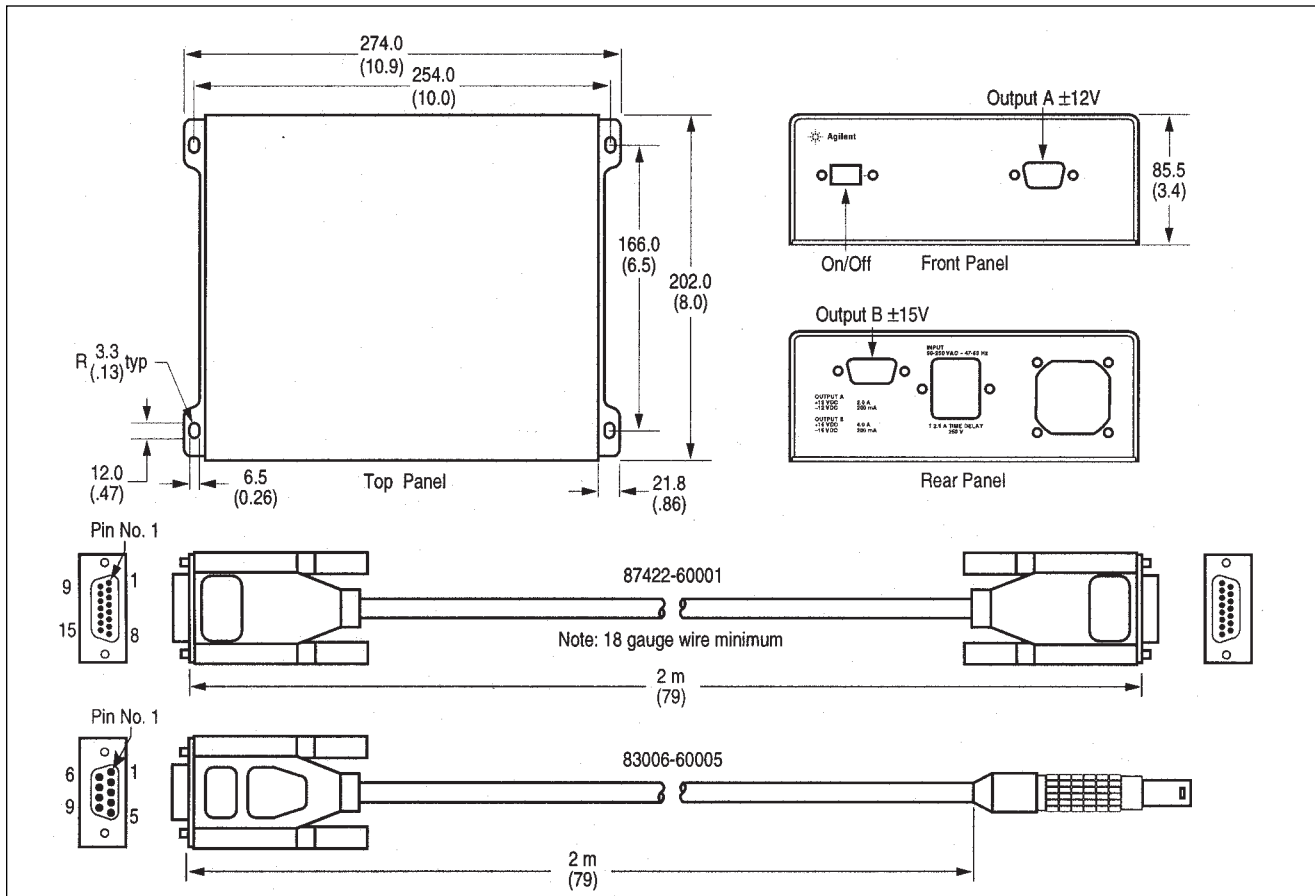
Includes power supply, AC power cord, and part number 83006-60005, which is a 2 meter cable with a 3-pin connector on one end and a D-subminiature connector on the other end for direct connection to the Agilent 83006A, 83017A, 83018A, and 87415A microwave system amplifiers.

Agilent 87422A power supply

Includes power supply and part number 83020-60001, which is a 2 meter cable with 15-pin connectors for direct connection to the Agilent 83020A amplifier. One additional dc output is provided to supply power to a preamplifier such as the 83006A or 83017A.

Other instruments and accessories

- 83006A Microwave System Amplifier, 0.01 to 26.5 GHz
- 83017A Microwave System Amplifier, 0.5 to 26.5 GHz
- 83018A Microwave System Amplifier, 2 to 26.5 GHz
- 83020A Microwave System Power Amplifier, 2 to 26.5 GHz
- 87415A Microwave System Amplifier, 2 to 8 GHz
- 83440C High Speed Lightwave Converter, dc to 20 GHz, 1000 to 1600 nm
- 83440-60009 Lightwave Converter Power Supply Adapter



The Agilent 87422A power supply provides the dc power needed to bias the 83020A. DC cables shown above shipped with power supply. Dimensions in millimeters and (inches).

Safety and Regulatory Information

Manufacturer's Declaration

This is to certify that this product meets the requirements specified in IEC 1010 and IEC Publication 348, Safety Requirements for Electronic Measuring Apparatus. It has been supplied in a safe condition for indoor use only and may occasionally be subjected to temperatures between +5 and -10 Celsius without degradation of its safety. The present data sheet contains some information and warnings which have to be followed by the user to ensure safe operation and to retain the product in safe condition. The main plug shall be inserted in a socket outlet provided with a protective earth contact. The protective action must not be negated by the use of an extension cord without a protective conductor. **Warning:** Any interruption of the protective conductor inside or outside the product or disconnection of the protective earth terminal is likely to make the equipment dangerous. Intentional interruption is prohibited. This product has been designed to be safe under the following environmental conditions: indoor use; altitude up to 2,000 meters; temperature range expanded to include 0 to +55 Celsius; maximum relative humidity 80% up to 31 degrees Celsius decreasing linearly to 50% relative humidity at 40 degrees Celsius; mains supply voltage fluctuations not to exceed $\pm 10\%$ of nominal voltage; transient over voltage category II for the main ac supply voltage; pollution degree two. If the equipment is used in a manner not specified by Agilent Technologies, the protection provided by the equipment may be impaired.

Model 87422A

DECLARATION OF CONFORMITY

according to ISO/IEC Guide 22 and CEN/CENELEC EN 45014

Manufacturer's Name: Agilent Technologies, Inc.
Manufacturer's Address: 1400 Fountaingrove Parkway
Santa Rosa, CA 95403-1799
USA

Declares that the products
Product Name: Microwave System Amplifiers
Model Numbers: 83006A, 83017A, 83018A, 83020A, 83050A,
83051A, 87421A, and 87422A
Product Options: This declaration covers all options of the
above products.

Conform to the following product specifications:

EMC: IEC 61326:1997+A1:1998+A2:2000/ EN 61326:1997+A1:1998+A2:2001

<u>Standard</u>	<u>Limit</u>
CISPR 11:1997 / EN 55011:1998/A-1999	Group 1, Class A
IEC 61000-4-2:1995+A1998 / EN 61000-4-2:1995	4 kV CD, 8 kV AD
IEC 61000-4-3:1995 / EN 61000-4-3:1995	3 V/m, 80 - 1000 MHz
IEC 61000-4-4:1995 / EN 61000-4-4:1995	0.5 kV sig., 1 kV power
IEC 61000-4-5:1995 / EN 61000-4-5:1996	0.5 kV L-L, 1 kV L-G
IEC 61000-4-6:1996 / EN 61000-4-6:1998	3 V, 0.15 – 80 MHz
IEC 61000-4-11:1994 / EN 61000-4-11:1998	1 cycle, 100%

Supplementary Information:

The products herewith comply with the requirements of the Low Voltage Directive 73/23/EEC and the EMC Directive 89/336/EEC and carry the CE-marking accordingly.



Santa Rosa, CA, USA 25 November, 2002 Greg Pfeiffer/Quality Engineering Manager

For further information, please contact your local Agilent Technologies sales office, agent or distributor.

Agilent Technologies' Test and Measurement Support, Services, and Assistance

Agilent Technologies aims to maximize the value you receive, while minimizing your risk and problems. We strive to ensure that you get the test and measurement capabilities you paid for and obtain the support you need. Our extensive support resources and services can help you choose the right Agilent products for your applications and apply them successfully. Every instrument and system we sell has a global warranty. Support is available for at least five years beyond the production life of the product. Two concepts underlie Agilent's overall support policy: "Our Promise" and "Your Advantage."

Our Promise

Our Promise means your Agilent test and measurement equipment will meet its advertised performance and functionality. When you are choosing new equipment, we will help you with product information, including realistic performance specifications and practical recommendations from experienced test engineers. When you use Agilent equipment, we can verify that it works properly, help with product operation, and provide basic measurement assistance for the use of specified capabilities, at no extra cost upon request. Many self-help tools are available.

Your Advantage

Your Advantage means that Agilent offers a wide range of additional expert test and measurement services, which you can purchase according to your unique technical and business needs. Solve problems efficiently and gain a competitive edge by contracting with us for calibration, extra-cost upgrades, out-of-warranty repairs, and onsite education and training, as well as design, system integration, project management, and other professional engineering services. Experienced Agilent engineers and technicians worldwide can help you maximize your productivity, optimize the return on investment of your Agilent instruments and systems, and obtain dependable measurement accuracy for the life of those products.

Agilent T&M Software and Connectivity

Agilent's Test and Measurement software and connectivity products, solutions and developer network allows you to take time out of connecting your instruments to your computer with tools based on PC standards, so you can focus on your tasks, not on your connections. Visit www.agilent.com/find/connectivity for more information.

By internet, phone, or fax, get assistance with all your test & measurement needs
Online Assistance: www.agilent.com/find/assist

Phone or Fax

United States:
(tel) 800 452 4844

Canada:
(tel) 877 894 4414
(fax) 905 282 6495

China:
(tel) 800 810 0189
(fax) 800 820 2816

Europe:
(tel) (31 20) 547 2323
(fax) (31 20) 547 2390

Japan:
(tel) (81) 426 56 7832
(fax) (81) 426 56 7840

Korea:

(tel) (82 2) 2004 5004
(fax) (82 2) 2004 5115

Latin America:

(tel) (305) 269 7500
(fax) (305) 269 7599

Taiwan:

(tel) 0800 047 866
(fax) 0800 286 331

Other Asia Pacific

Countries:
(tel) (65) 6375 8100
(fax) (65) 6836 0252

Email:
tm_asia@agilent.com

Product specifications and descriptions in this document subject to change without notice.

© Agilent Technologies, Inc. 1997, 2000, 2002
Printed in USA, November 26, 2002
5091-4292E



Agilent Email Updates

www.agilent.com/find/emailupdates

Get the latest information on the products and applications you select.



Free Manuals Download Website

<http://myh66.com>

<http://usermanuals.us>

<http://www.somanuals.com>

<http://www.4manuals.cc>

<http://www.manual-lib.com>

<http://www.404manual.com>

<http://www.luxmanual.com>

<http://aubethermostatmanual.com>

Golf course search by state

<http://golfingnear.com>

Email search by domain

<http://emailbydomain.com>

Auto manuals search

<http://auto.somanuals.com>

TV manuals search

<http://tv.somanuals.com>