



M3716

17" 1U rack mount LCD keyboard drawer
with 16 port Cat6 KVM Switch

User Manual

M3716 1U 17" rack mount monitor keyboard drawer
with included 16 port Cat6 KVM switch

ACNODES

661 Brea Canyon Rd., Suite 3
Walnut, CA 91789
tel: 909.598.7388, fax: 909.598.0218, www.acnodes.com

© Copyright 2009 Acnodes, Inc.
All rights reserved. Product description and product specifications
are subject to change without notice. For latest product information,
please visit Acnodes' web site at www.acnodes.com.



M3716

17" 1U rack mount LCD keyboard drawer
with 16 port Cat6 KVM Switch

Index

Chapter 1 Getting Started

1.1	Important safeguards.....	1
1.2	Regulatory notice.....	2
1.3	Specifications.....	3
1.4	Diagram.....	4
1.5	How to install "One-Man" installation slides into rack.....	5
1.6	How to install "One Man" installation slides.....	6
1.7	How to use rails.....	7
1.8	Keyboard and Mouse.....	8
1.9	Optional accessories.....	9

Chapter 2 Operation

2.1	On-screen display operation.....	10
2.2	On-screen menu.....	11

Chapter 3 Optional Specification

3.1	DC power options.....	12
-----	-----------------------	----

Chapter 4 KVM

4.1	KVM Specifications.....	13
4.2	Connections.....	14
4.3	Connections KVM Module.....	15
4.4	Cascade KVM Modules.....	16
4.5	Receiver Box.....	17
4.6	Receiver Connection.....	18
4.7	Front Panel Port LED Indicators.....	19
4.8	Password.....	20
4.9	OSD Menu.....	21
4.10	Main Menu.....	22
4.11	Local Console Key.....	23
4.12	Remote Console Key.....	23
4.13	KVM Cables.....	24
4.14	Optional Items.....	25



M3716

17" 1U rack mount LCD keyboard drawer
with 16 port Cat6 KVM Switch

CHAPTER 1

1.1 Important Safeguards

Please read all of these instructions carefully before you use the device. Save this manual for future reference.

What the warranty does not cover

- Any product, on which the serial number has been defaced, modified or removed.
- Damage, deterioration or malfunction resulting from:
 - Accident, misuse, neglect, fire, water, lightning, or other acts of nature, unauthorized product modification, or failure to follow instructions supplied with the product.
 - Repair or attempted repair by anyone not authorized by us.
 - Any damage of the product due to shipment.
 - Removal or installation of the product.
 - Causes external to the product, such as electric power fluctuation or failure.
 - Use of supplies or parts not meeting our specifications.
 - Normal wear and tear.
 - Any other causes which does not relate to a product defect.
- Removal, installation, and set-up service charges.



M3716

17" 1U rack mount LCD keyboard drawer
with 16 port Cat6 KVM Switch

1.2 Regulatory Notice

Legal Information

First English printing, October 2010

Information in this document has been carefully checked for accuracy; however, no guarantee is given to the correctness of the contents. The information in this document is subject to change without notice. We are not liable for any injury or loss that results from the use of this equipment.

Safety Instructions

- 1 Unplug equipment before cleaning. Don't use liquid or spray detergent; use a moist cloth.
- 2 Keep equipment away from excessive humidity and heat. Preferably, keep it in an air-conditioned environment with temperatures not exceeding 40° Celsius (104° Fahrenheit).
- 3 When installing, place the equipment on a sturdy, level surface to prevent it from accidentally falling and causing damage to other equipment or injury to persons nearby.
- 4 When the drawer is in an open position, do not cover, block or in any way obstruct the gap between it and the power supply. Proper air convection is necessary to keep it from overheating.
- 5 Arrange the equipment's power cord in such a way that others won't trip or fall over it.
- 6 If you are using a power cord that didn't ship with the equipment, ensure that it is rated for the voltage and current labeled on the equipment's electrical ratings label. The voltage rating on the cord should be higher than the one listed on the equipment's ratings label.
- 7 Observe all precautions and warnings attached to the equipment.
- 8 If you don't intend on using the equipment for a long time, disconnect it from the power outlet to prevent being damaged by transient over-voltage.
- 9 Keep all liquids away from the equipment to minimize the risk of accidental spillage. Liquid spilled on to the power supply or on other hardware may cause damage, fire or electrical shock.
- 10 Only qualified service personnel should open the chassis. Opening it yourself could damage the equipment and invalidate its warranty.
- 11 If any part of the equipment becomes damaged or stops functioning, have it checked by qualified service personnel.

Regulatory Notices Federal Communications Commission (FCC)

This equipment has been tested and found to comply with the limits for a Class B digital device, pursuant to Part 15 of the FCC rules. These limits are designed to provide reasonable protection against harmful interference in a residential installation.

Any changes or modifications made to this equipment may void the user's authority to operate this equipment. This equipment generates, uses, and can radiate radio frequency energy and, if not installed and used in accordance with the instructions, may cause harmful interference to radio communications.

However, there is no guarantee that interference will not occur in a particular installation. If this equipment does cause harmful interference to radio or television reception, which can be determined by turning the equipment off and on, the user is encouraged to try to correct the interference by one or more of the following measures:



M3716

17" 1U rack mount LCD keyboard drawer
with 16 port Cat6 KVM Switch

1.3 Specifications

Display size:

17 inches

Panel type:

Active Matrix TFT LCD

Resolution capabilities:

Maximum Resolution up to 1280 x 1024 (SXGA)

Brightness:

White 300 cd/m²

Contrast ratio:

1000:1

Supported colors:

16.2M Colors (6-bit with FRC)

Viewing angle:

Right-Left view 60° ~ 70°(Typ)

Up-Down View 45° ~ 60°(Typ)

Display Area:

338 mm x 270 mm

Response Time: Response time:

Rising Time 1.3ms

LCD MTBF:

50,000 hours

VGA Signal Input:

Analog H/V, Co1.3Diagramposite, SOG

Resolution:

64x400 / 720x400: 70Hz

640x480 / 800x600 / 1280x1024: 60/70/72/75Hz

1024x768 / 1152x864 / 1280x720: 60/70/75Hz

Video Input:

15-pin D-sub VGA input

Horizontal synchronization: 64 - 80 KHz (Typ.)

Vertical Synchronization: 60-75 Hz (Typ.)

Plus & Play DCC:

EDID 1.3

Power Input:

Auto-sensing 100 to 240VAC, 50/60Hz power

LCD power consumption:

Max. 48Watts, standby 5 Watts

Drawer Design:

1U low profile clamp-type module design

Self-lock fixed-position slide rail

Adjustable rear mounting rails up to 34-inches deep

Security Handle Lock:

Hard-plastic molded handle with 2 x positions lock

Keyboard & Mouse:

104-keys keyboard with touch pad / track-ball (optional) PS/2

or USB

Package Dimension:

442 x 650 x 44 mm / 17.4 x 25.6 x 1.73 inches

Gross Weight:

35lbs

Certification:

CE / FCC

Operation temperature:

0 ~ 50°C / 32 ~ 122°F

Storage temperature:

-5 ~ 60°C / -4 ~ 140°F

Humidity:

5~90%, non-condensing

Shock:

10G acceleration (11ms duration)

Vibration:

5~500Hz 1G RMS random vibration

Touch screen:

Resistive / Capacitive touch screen, USB or RS-232

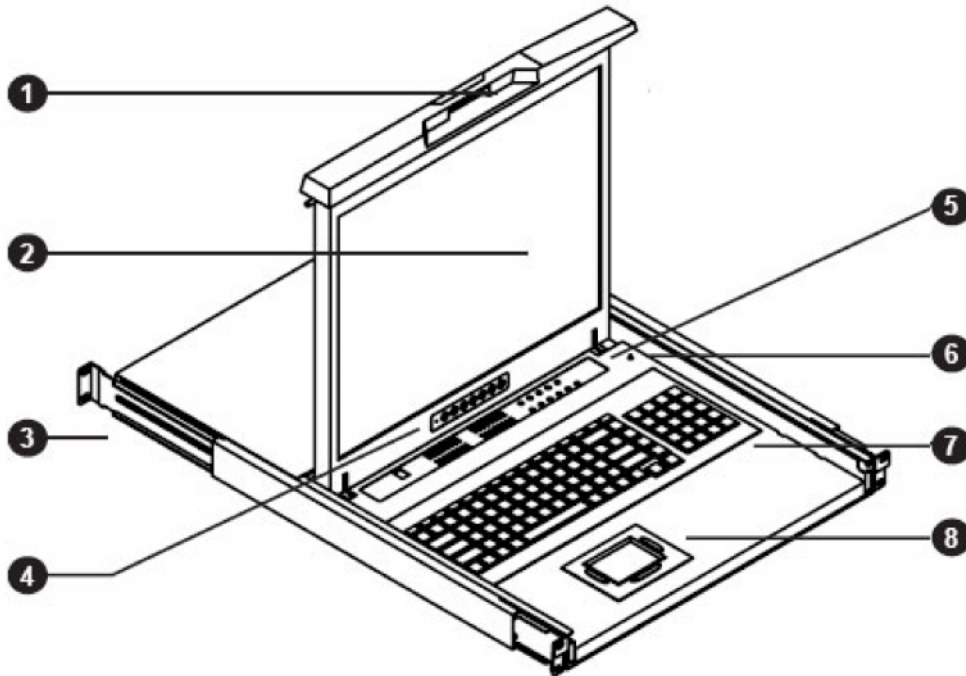
DC power input:

12 / 24 / 48VDC power input

M3716

17" 1U rack mount LCD keyboard drawer with 16 port Cat6 KVM Switch

1.4 Diagram



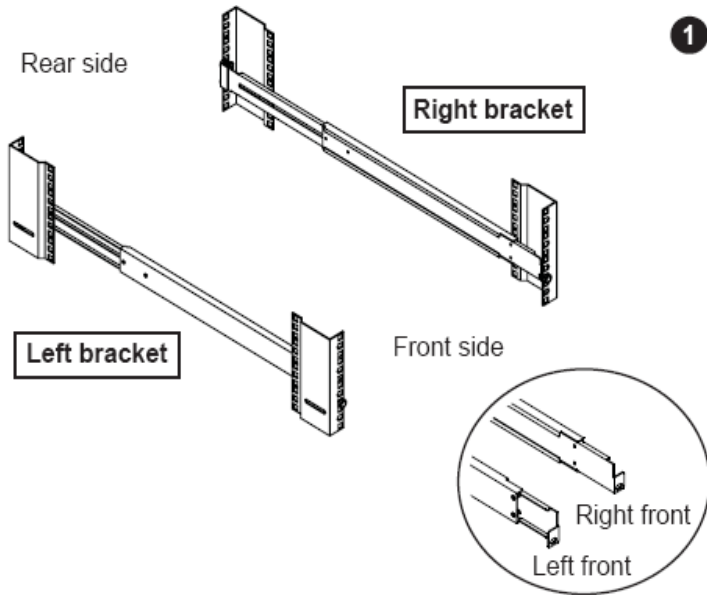
1. Carry handle to release the 2-pt lock
2. LCD interchangeable module kit
3. "One Man" Installation Slides
4. LCD membrane

5. Membrane switch (KVM option)
6. Micro switch for screen auto power off
7. Keyboard interchangeable module kit
8. Mouse interchangeable module kit

M3716

17" 1U rack mount LCD keyboard drawer with 16 port Cat6 KVM Switch

1.5 How to Install "One Man" Installation Slides into rack



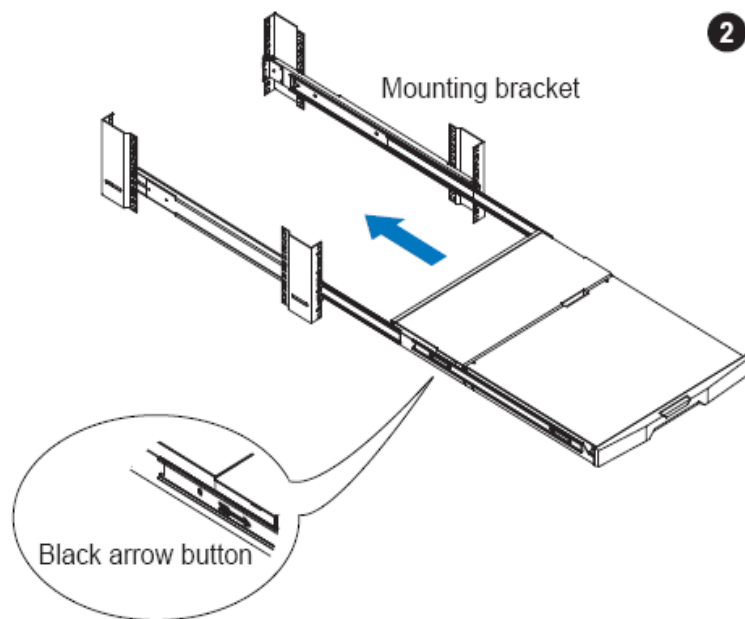
1

Attach the left and right mounting bracket to rack 19" mounting rails.

Adjust the rear mounting bracket to fit your rack.

M6 screw and cup washer x 6 piece included.

Caution : Leaving the screws slightly loose, until you complete the installation in step 4



2

Pick up the LCD keyboard drawer.

Insert the LCD keyboard drawer into the mounting bracket.

Pull and hold the left & right black arrow buttons on the rails.

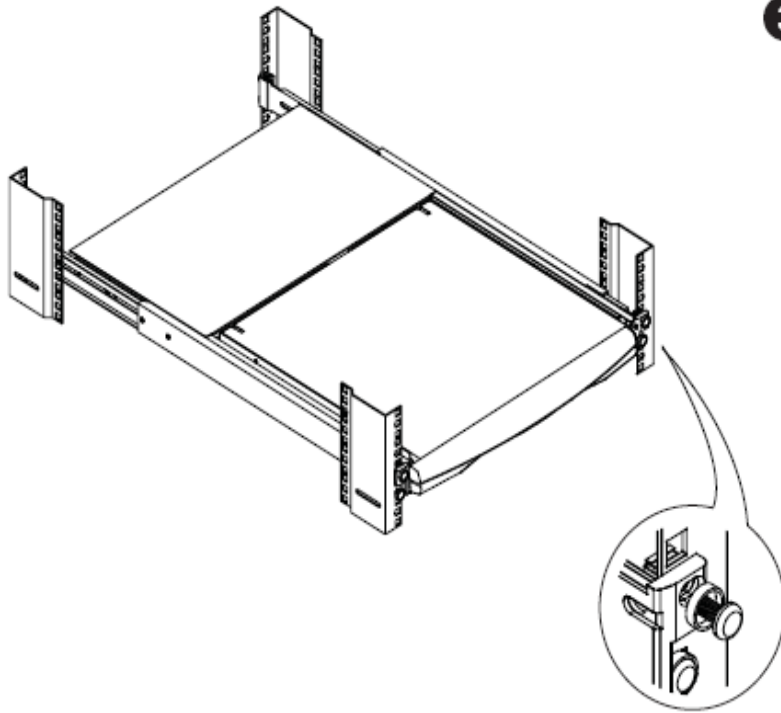
Return the LCD keyboard drawer to park position



M3716

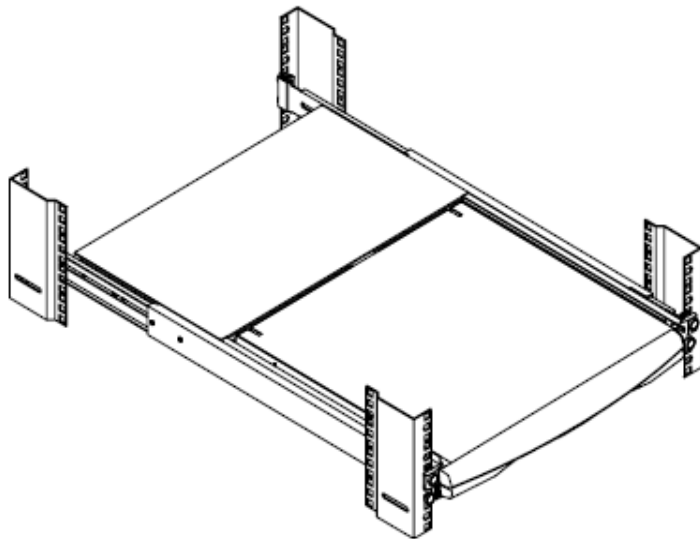
17" 1U rack mount LCD keyboard drawer with 16 port Cat6 KVM Switch

1.6 How to Install "One Man" Installation Slides



3

Attach front left and right mounting ears of the LCD keyboard drawer to vertical mounting rails.
? M6 screw and cup washer x 2 pcs included.



4

Complete the installation
Insert all 8 piece of M6 screw to complete the installation

M3716

17" 1U rack mount LCD keyboard drawer with 16 port Cat6 KVM Switch

1.7 How to Use the Slides

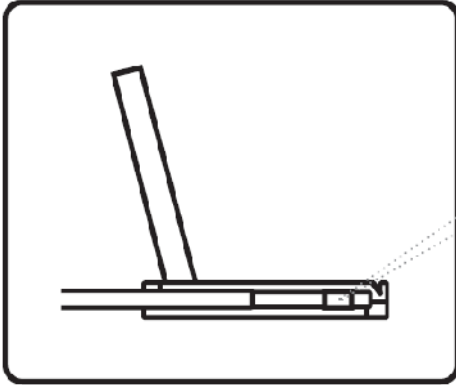


Figure 1.

? A black arrow release button is located on the outside of each slide. (shown in Figure 1).

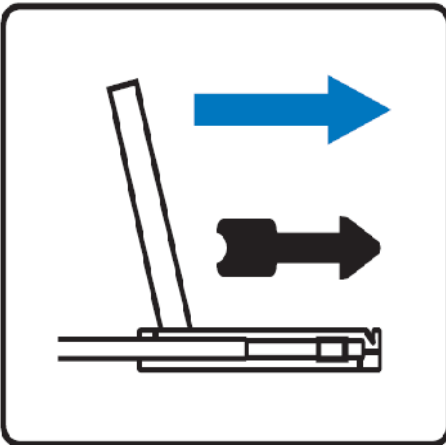


Figure 2.

Pull and hold the black arrow button on either side of the LCD keyboard drawer to unlock. (shown in Figure 2).

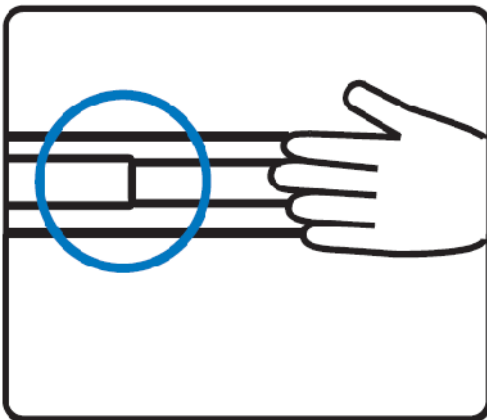


Figure 3.

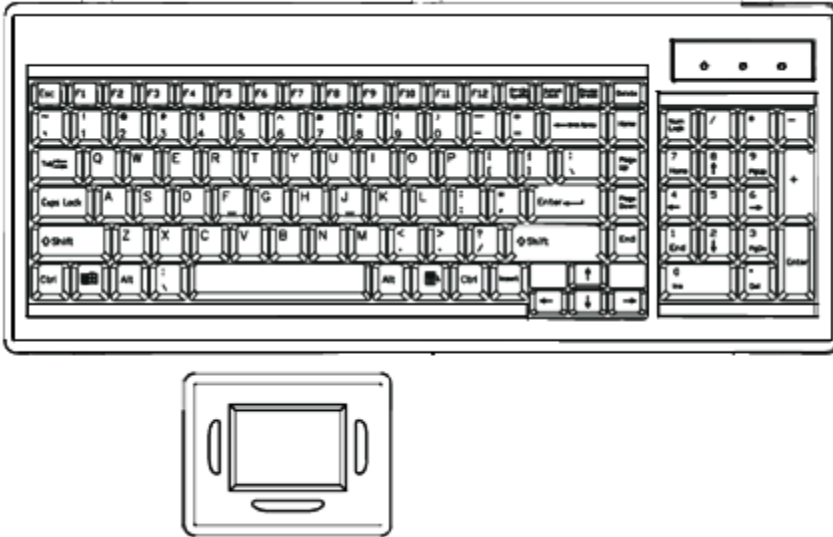
? Push the LCD keyboard drawer into the rack. (shown in Figure 3).
Caution : Keep your fingers away from the slide stop

M3716

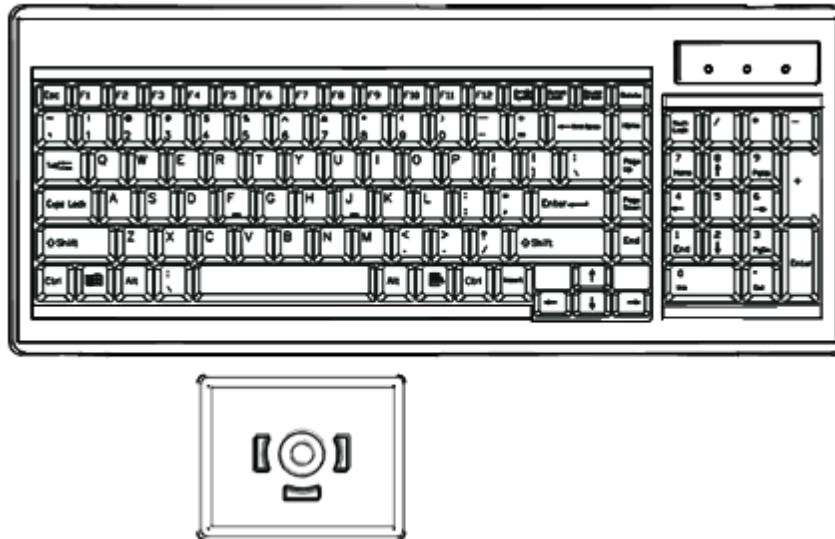
17" 1U rack mount LCD keyboard drawer with 16 port Cat6 KVM Switch

1.8 Keyboard and Mouse

STANDARD:



OPTIONAL:





M3716

17" 1U rack mount LCD keyboard drawer
with 16 port Cat6 KVM Switch

1.9 Optional Accessories

1. Combo 4-in-1 KVM cable

- 1.1 6 feet
- 1.2 10 feet
- 1.3 15 feet

3. Power Cord

- 3.1 IEC Power Cord
- 3.2 5-15 Power Cord US
- 3.3 1363 Power Cord (UK)
- 3.4 CEE 7/4 Power Cord (German)
- 3.5 AS 3112 Power Cord (Australia)

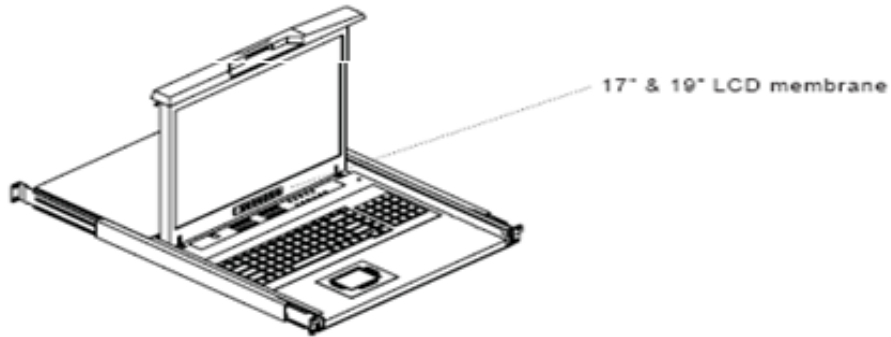


M3716

17" 1U rack mount LCD keyboard drawer with 16 port Cat6 KVM Switch

2.1 On Screen Display Option

CHAPTER 2

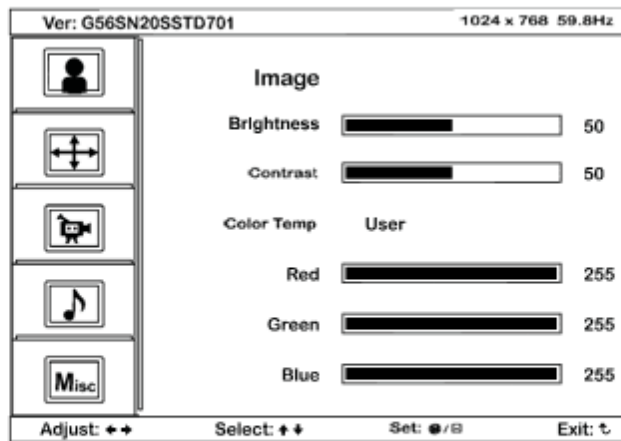


Membrane Switch	Function
	Power light Green = On Orange = Power saving
	Power on / off LCD
	Display the OSD menu
	Scrolls through menu options and adjusts the displayed control (To auto adjustment by pressing the button for 5 seconds)
	Exit the OSD screen Toggle analog, digital & video connection (DVI-D and video options only)

M3716

17" 1U rack mount LCD keyboard drawer with 16 port Cat6 KVM Switch

2.2 On Screen Menu



OSD Configuration Page



Image:

To enter into the brightness, contrast, color temp, red, green, and blue



Geometry:

To enter into the auto adjust, H position, V position, phase and clock



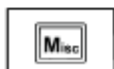
Video:

To enter into the colour, tint, sharpness, noise reduction, DCDi and TV Setup



Audio:

To enter into volume, bass, treble, balance, AVL and mute



Misc:

To enter into the language, OSD position, graphic mode, ratio, reset and timer



M3716

17" 1U rack mount LCD keyboard drawer with 16 port Cat6 KVM Switch

3.1 DC Power Options

CHAPTER 3

Model	12V	24V	48V
Input rating			
Input voltage:	12-Volt	24-Volt	48-Volt
Input range:	9 ~ 18V	18 ~ 36V	36 ~ 75V
Input current			
- No load	50 mA	50 mA	50 mA
- Full load	4950 mA	2450 mA	1220 mA
Output rating			
Output voltage:	12-Volt	12-Volt	12-Volt
Output current:	4.16A	4.16A	4.16A
Efficiency	84%	85%	85%



M3716

17" 1U rack mount LCD keyboard drawer
with 16 port Cat6 KVM Switch

CHAPTER 4

4.1 KVM Specifications

KVM Feature:

System management with simultaneous multi-user access
Access server independently & simultaneously
8 characters password protection
Auto scan-mode and Hot-pluggable
Resolution: up to 1600x1200
SSL v2/v3 encryption for secure transmission
On-board Membrane KVM switch to select server
Cascades up to 8 level/128 servers/128 servers on DB-15
KVM switch

Matrix KVM Switch Type:

1 user console (1 x local)
2 user consoles (1 x local/i x remote)

Cascade Port:

1 x DB-15 proprietary cascade port

User Console Type:

Local: 1 x 6' combo free 4-in-1 proprietary cable
Remote: over Cat6 cable (up to 1000 feet) with receiver

KVM Port Layout:

16 RJ-45 Cat6 KVM ports
1 remote user port (RJ-45 port), Optional

KVM Cable:

Included 8 x USB/VGA dongles
Option for additional dongles
USB/VGA, PS2/VGA, USB/DVI

Drawer Design:

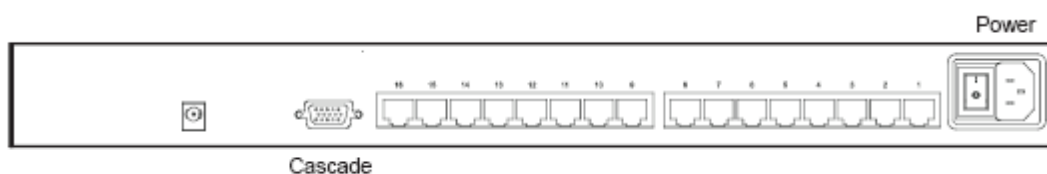
1U low profile clamp-type module design
Self-lock fixed-position slide rail
Adjustable rear mounting rails up to 34-inches deep

M3716

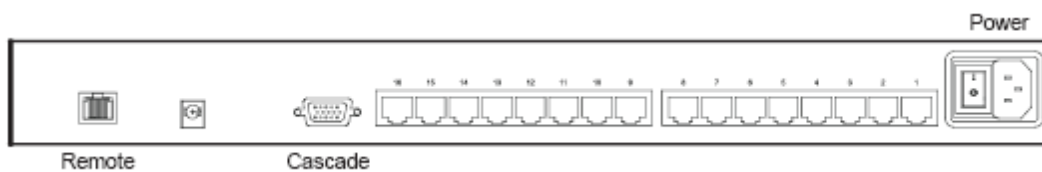
17" 1U rack mount LCD keyboard drawer with 16 port Cat6 KVM Switch

4.2 Connections

STANDARD:



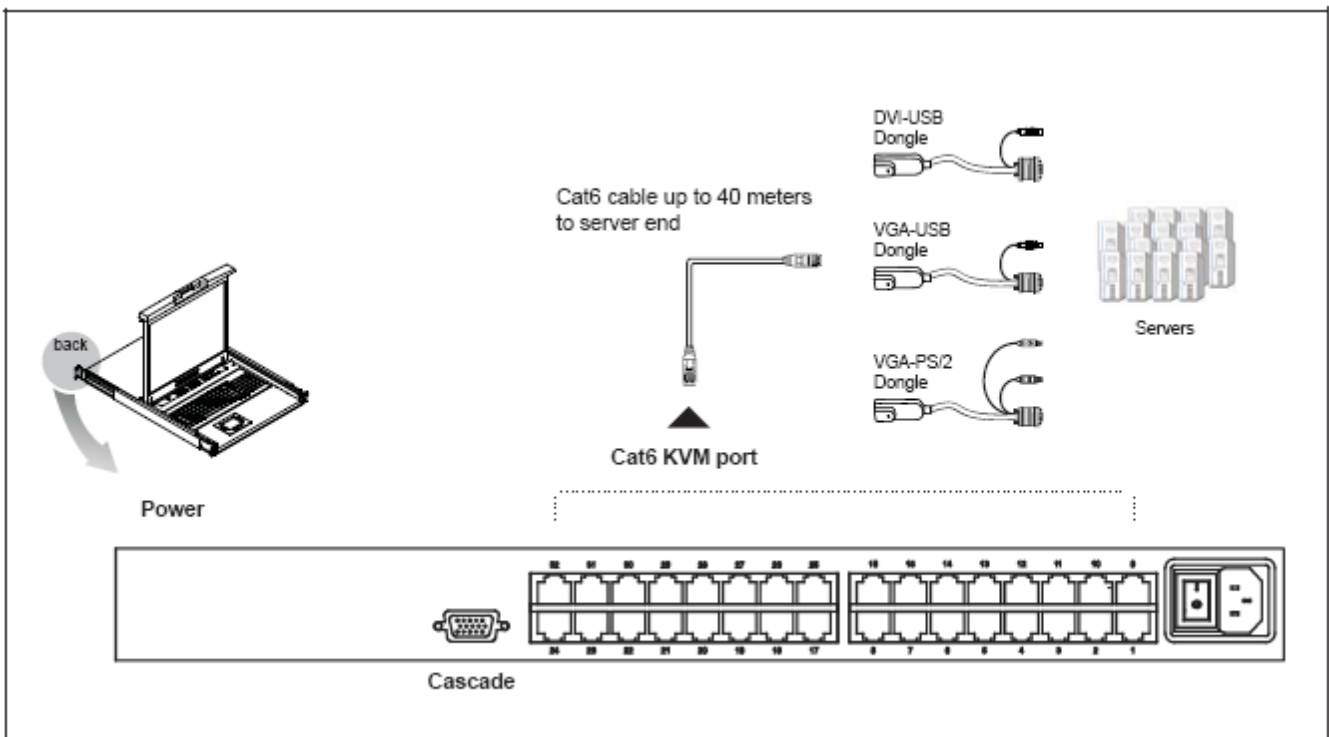
OPTION FOR
1 REMOTE
CONSOLE:



M3716

17" 1U rack mount LCD keyboard drawer with 16 port Cat6 KVM Switch

4.3 Connection KVM modules

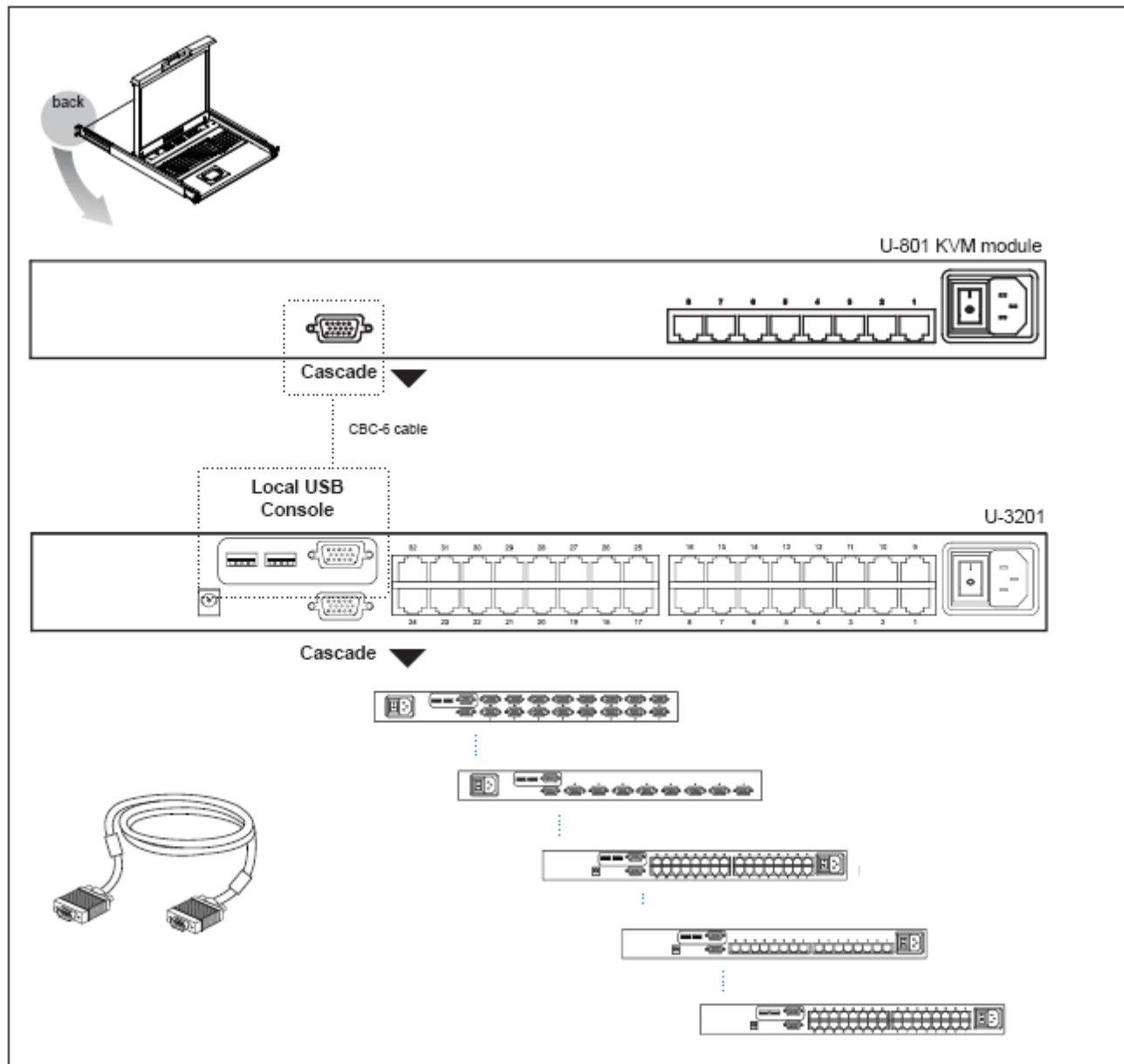


M3716

17" 1U rack mount LCD keyboard drawer with 16 port Cat6 KVM Switch

4.4 Cascade KVM Modules

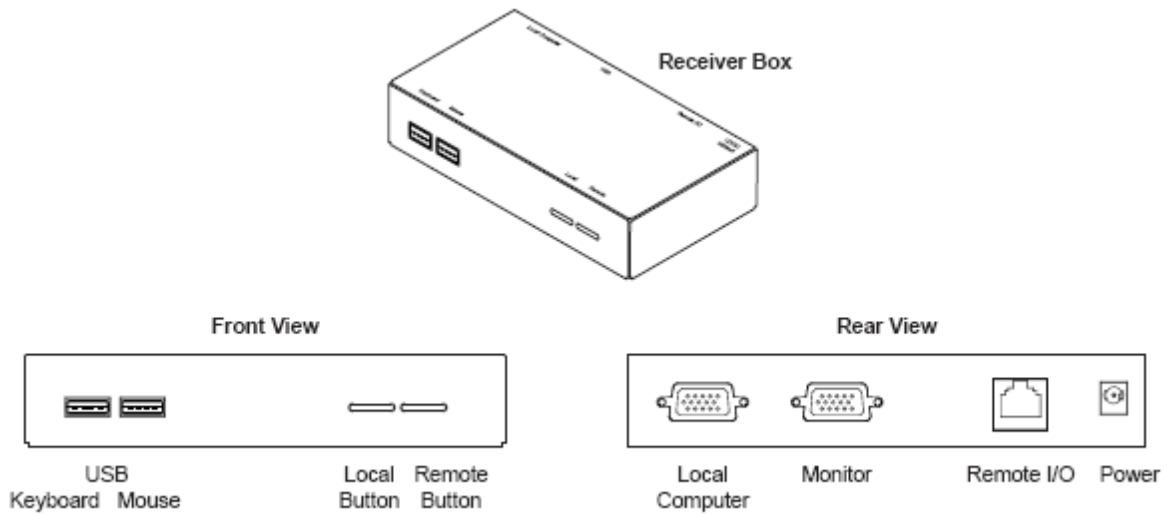
- Cascade up to 8 level, 256 servers
- Interconnection with Combo DB-15 KVM
- Cascading multiple KVM with cable



M3716

17" 1U rack mount LCD keyboard drawer with 16 port Cat6 KVM Switch

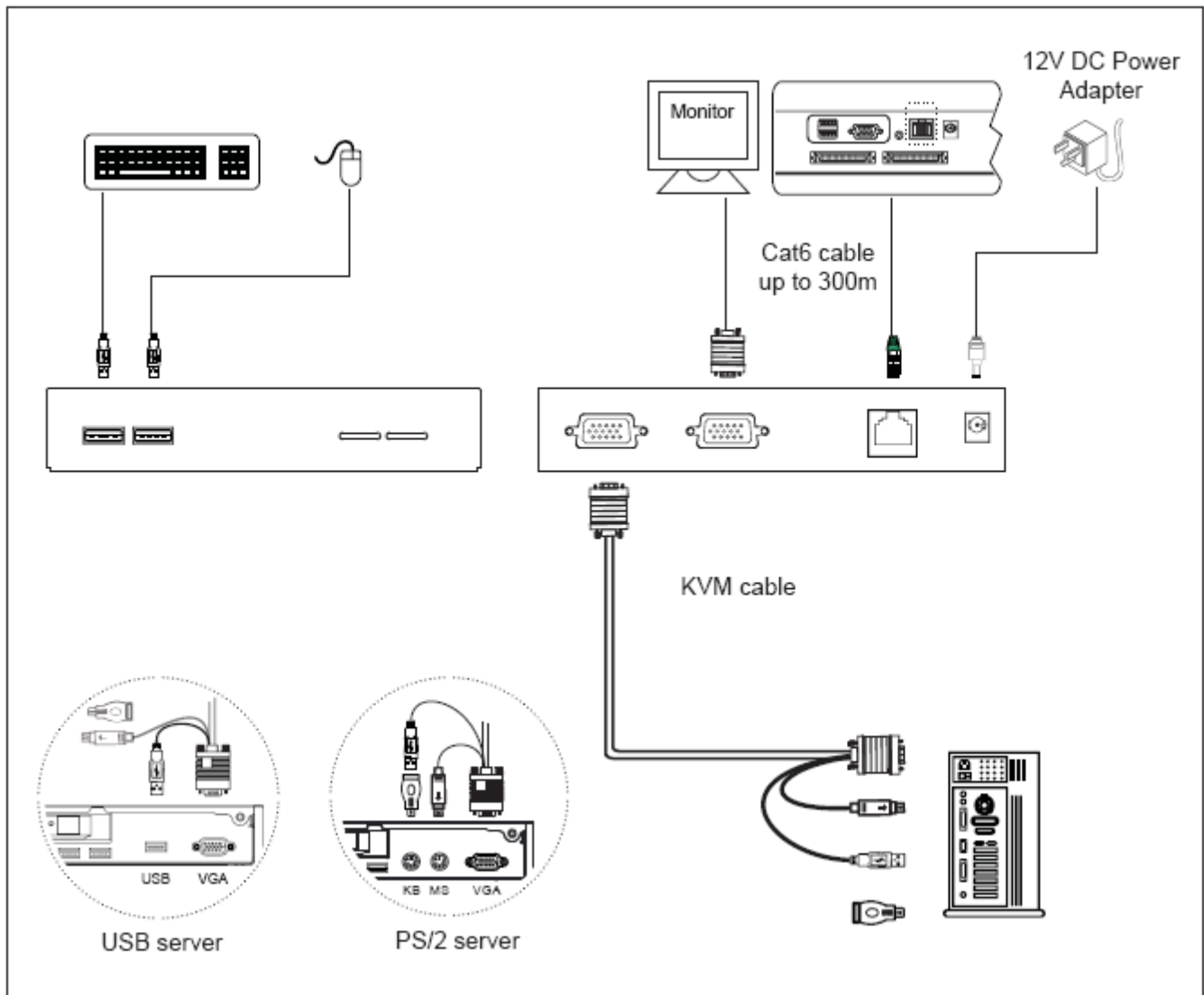
4.5 Receiver Box (Optional)



M3716

17" 1U rack mount LCD keyboard drawer with 16 port Cat6 KVM Switch

4.6 Receiver Connection (Optional)



M3716

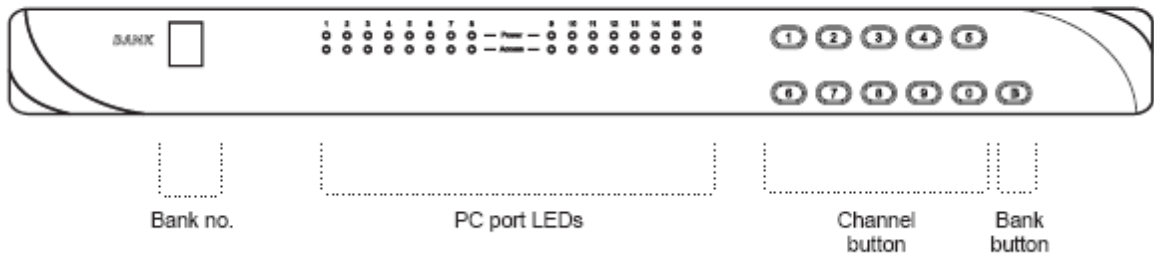
17" 1U rack mount LCD keyboard drawer with 16 port Cat6 KVM Switch

4.7 Front Panel-Port LED Indications

Power ON:

- Turn of all servers and KVM switches
- Make sure all cables/connectors are properly connected
- Recommend Power ON sequence is monitor, KVM switch finally computer

16 ports



Bank no.	7-Segment BANK LED indication
PC port LEDs	Power : Blue LED on indicating a PC is connecting to the port Access : Green LED on indicating a selected channel Remote : Red LED on indicating the port is selecting by a remote console
Channel button	Press to select channel from 01 to 32
Bank button	Select the bank from 1 to 8



M3716

17" 1U rack mount LCD keyboard drawer
with 16 port Cat6 KVM Switch

4.8 Password

The password is disabled by default (i.e. There is no password required when you power on the KVM switch for the first time).

Enable Password

1. Press the KVM hotkey Scroll Lock + Scroll Lock + U
2. Logout the KVM by pressing the hotekey Scroll Lock + Scroll Lock + P
3. In SUPERVISOR level, enter "00000000" eight zeroz in the user name & password field (Do not use "0" on number pad)

4. In USER level, press Space Bar + Enter in user name & password field

Remark: Automatic logout after 10 minutes of inactivity

Set your own user name and password

1. Login the KVM in SUPERVISOR level by pressing "00000000" eight zeros in user name & password field.
2. Call KVM OSD menu by pressing the KVM hotkey Scroll Lock + Scroll Lock + Space Bar
3. Press F1 tot he MAIN MENU
4. Selec "USER SECURIY"
5. Set password in SUPERVISOR & USER level
 - a. In the left-top row "S" (SUPERVISOR), press Enter to set your own user name & password
 - b. In the row 1 to 8 (USER), press Enter to set your own user name & password
6. Press Enter to save the setting or press Esc to cancel the editing without any change

Remark: a. Blank has underscore, while SPACE doesn't have

- b. Press any alphanumeric key to move to next input item. SPACE is treated as a valid character.

Change your password

1. Login the KVM in SUPERVISOR level by pressing your own user name & password
2. Call KVM OSD menu by pressing he KVM hotekey Scroll Lock + Scroll Lock + Space Bar
3. Press F1 to the MAIN MENU
4. Selec "USER SECURITY"
5. Change password in SUPERVISOR & USER level
 - a. In the left-top row "S" (SUPERVISOR), press Enter to change your user name & password
 - b. In the rown 1 to 8 (USER), press Enter to change your user name & password
6. Press Enter to save the setting or press Esc to cancel the editing without any change.

Remark: a. Blank has underscore, while SPACE doesn't have

- b. Press any alphanumeric key to move to next input item. SPACE is treated as a valid character.

Forget Your Password

Please contact your supplier for support

Remark

- You must press the KVM hotkey within 2 seconds
- A key will be heard for successful entering KVM hotkey

M3716

17" 1U rack mount LCD keyboard drawer with 16 port Cat6 KVM Switch

4.9 OSD Menu

PORT NAME	
BANK : 1	
01☀ SYSTEM 01	F1 : MENU
02☀ SYSTEM 02	F2 : LOGOUT
03☀ SYSTEM 03	F3 : PREV
04☀ SYSTEM 04	ESC : QUIT
05☀ SYSTEM 05	ENTER : COMPLETE
06☀ SYSTEM 06	↑/↓ : SELECT
07☀ SYSTEM 07	PgUp/PgDn : BANK SELECT
08☀ SYSTEM 08	
USER : SUPERVISOR	
SCAN TIME : 10 SEC FW1V3	

OSD operation

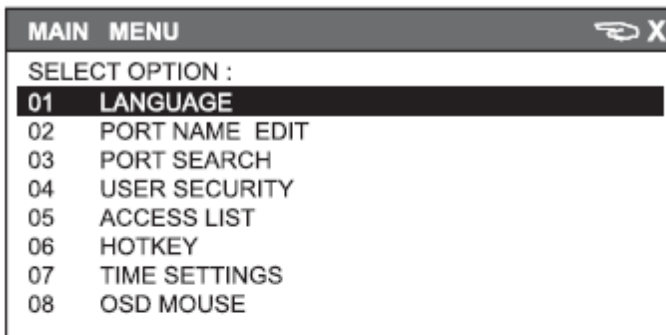
☀ next to the system name	The PC is powered on
☞ next to the system name	The PC is selected
F1	Access F1 MAIN MENU
F2	Logout the OSD menu
F3	Previous menu
Esc	Cancel / Quit
Enter	Complete / Switch to selected port
↑/↓	Switch to previous or next port
PgUp/PgDn	Switch to previous bank or next bank
1 / 2 / 3 / 4	Display port 01 ~ 08 / 09 ~ 16 / 17 ~ 24 / 25 ~ 32 Remark: Display port 17 ~ 32 for 32 port model only



M3716

17" 1U rack mount LCD keyboard drawer with 16 port Cat6 KVM Switch

4.10 Main Menu



01	LANGUAGE	OSD language change
02	PORT NAME EDIT	Define port name
03	PORT SEARCH	Quick searching by port name
04	USER SECURITY	Change password
05	ACCESS LIST	Define user access authority
06	HOTKEY	Change hotkey
07	TIME SETTINGS	Modify scan display time interval
08	OSD MOUSE	Modify OSD mouse speed

M3716

17" 1U rack mount LCD keyboard drawer with 16 port Cat6 KVM Switch

4.11 Local Console Hotkey

Hotkey	Function
Scroll Lock + Scroll Lock + Space Bar	Calling OSD menu
Scroll Lock + Scroll Lock +	Switch to previous port
Scroll Lock + Scroll Lock + ↓	Switch to next port
Scroll Lock + Scroll Lock + PgUp	Switch to previous bank
Scroll Lock + Scroll Lock + Bank no. + Port no.	Switch to specific port
Scroll Lock + Scroll Lock + PgDn	Switch to next bank
Scroll Lock + Scroll Lock + S	Auto scan for powered on PC
Scroll Lock + Scroll Lock + R	Reset to factory default setting
Scroll Lock + Scroll Lock + B	Enable / Disable beeper sound
Scroll Lock + Scroll Lock + F	Find port by name

Remarks:

Example of "Scroll Lock + Scroll Lock + Bank no. + Port no."

- Bank No. : 1 to 8
- Port No. : 01 to 16
- e.g. Bank 1 Port 4 : Scroll Lock + Scroll Lock + 1 + 0 + 4
- e.g. Bank 2 Port 16 : Scroll Lock + Scroll Lock + 2 + 1 + 6








4.12 Remote Console Hotkey

Hotkey	Function
Scroll Lock + Scroll Lock + F1	Show up the Help OSD windows
Scroll Lock + Scroll Lock + F2	Select Hotkey *Default is Caps Lock
Scroll Lock + Scroll Lock + C	Toggle switch between remote & local port
Scroll Lock + Scroll Lock + Q	Turn the buzzer ON & OFF *Default the buzzer is ON
Scroll Lock + Scroll Lock + S	Activate auto-scan mode for remote & local port *The scan time interval is 5 seconds
Scroll Lock + Scroll Lock + A	Auto-adjust the video signal

M3716

17" 1U rack mount LCD keyboard drawer with 16 port Cat6 KVM Switch

4.13 KVM Cables

Matrix KVM cascade cable 2.1 3 feet	
Cat5 cable 3.1 3 feet 3.2 6 feet 3.3 10 feet 3.4 15 feet 3.5 33 feet 3.6 66 feet	
Combo KVM cascade cable 4.1 6 feet	
DVI-USB Dongle 5.1 DVI-D	
VGA-USB Dongle 6.1 USB	
VGA-PS/2 Dongle 7.1 PS/2	
Power cord 8.1 power cord 8.2 power cord (US) 8.3 power cord (UK) 8.4 power cord (German) 8.5 power cord (Australia)	



M3716

17" 1U rack mount LCD keyboard drawer
with 16 port Cat6 KVM Switch

4.14 Optional Items

Mouse:

Touch-pad/Track-ball

Remote User Console:

1/2 (opt) remote user console port

User Console:

1 (std) /2 (opt) user console port

Power supply:

12/24/48VDC power input unit

Dongle:

USB/VGA dongle

PS2/VGA dongle

USB/DVI dongle

Cascade cable:

6' cascade cable

Receiver (for remote user console):

Receiver with 1 x DB-15 4-in-1 KVM cable

Free Manuals Download Website

<http://myh66.com>

<http://usermanuals.us>

<http://www.somanuals.com>

<http://www.4manuals.cc>

<http://www.manual-lib.com>

<http://www.404manual.com>

<http://www.luxmanual.com>

<http://aubethermostatmanual.com>

Golf course search by state

<http://golfingnear.com>

Email search by domain

<http://emailbydomain.com>

Auto manuals search

<http://auto.somanuals.com>

TV manuals search

<http://tv.somanuals.com>