



H A Harman International Company

# C 1000 S

## Condenser Microphone

### Description

The AKG Model C 1000 S gradient condenser microphone uses a low noise pre-polarized backplate (electret) and is ideal for a variety of recording and sound reinforcement applications. Its polar pattern can be quickly converted from cardioid to hypercardioid by placing an acoustical converter over the end of the microphone capsule; this has virtually no effect on the on-axis response of the microphone. The on-axis response of the C 1000 S has a gentle (-6 dB/octave) roll-off below 200 Hz which has been tailored for the normal close-in use of cardioid and hypercardioid microphones in studio recording and sound reinforcement applications. The microphone may thus be used in close-in application with no need for further equalization. The C 1000 S may be powered by a 9-volt battery or by phantom powering over a range from 9 to 52 Vdc. The included PPC 1000 Polar Pattern Converter allows quick changeover from cardioid to hypercardioid. A silent on/off switch is recessed to prevent inadvertent shut-off. The included Presence Boost Adapter piece PB 1000 creates an emphasis of the higher frequencies from 5 to 9 kHz by about 3 to 5 dB, which not only improves the transmission of sibilances but may be also advantageous when recording instruments requiring greater high frequency content in their audio spectrum.

### Specifications

<b>Transducer Principle:</b>	Gradient pre-polarized condenser
<b>Frequency Response:</b>	50–20,000 Hz (see family of response curves)
<b>Polar Pattern:</b>	Cardioid or hypercardioid
<b>Equivalent Noise Level:</b>	20 dB-A
<b>Sensitivity at 1,000 Hz:</b>	6 mV/Pa $\hat{=}$ -45 dBV
<b>Sound Pressure Level at 1% THD:</b>	137 dB (145 dB for 3% THD)
<b>S/N Ratio (A-weighted):</b>	74 dB
<b>Electr. Impedance:</b>	$\leq$ 200 ohms
<b>Load Impedance:</b>	$\geq$ 2,000 ohms
<b>Power Requirement:</b>	Phantom powering, nominal 9-52 Vdc or 9 V battery
<b>Connector:</b>	3-pin XLR type
<b>Finish:</b>	Matte dark gray metallic enamel
<b>Size:</b>	Dia 1.3 in. (39 mm), Length 8.7 in. (220 mm)
<b>Net/Shipping Weight:</b>	9.7 oz. (276 g)/1.8 lbs. (820 g)
<b>Included Accessories:</b>	SA 43 Stand adapter W 1000 Windscreen, PPC 1000 Polar pattern converter PB 1000 Presence boost adapter
<b>Optional Accessories:</b>	N 62 AC Power supply



### Features

- **Extended low and high frequency response, tailored for close proximity to sound sources**
- **Operates on 9 volt battery or phantom power (9 to 52 Vdc)**
- **High acoustic level capability (137 dB-SPL for 1.0 % THD)**
- **PPC 1000 – Polar Pattern Converter from cardioid to hypercardioid polar pattern**
- **PB 1000 – Presence Boost Adapter for increased intelligibility +3 to 5 dB at 5 to 9 kHz**

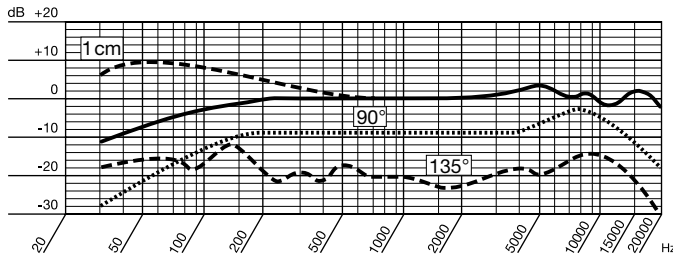
# Architects and Engineers Specifications

The microphone shall be a gradient condenser type with a cardioid polar pattern along its cylindrical axis. An acoustical adapter shall be provided which converts the polar pattern to hypercardioid. The microphone shall be no larger in diameter than 1.3 in. (39 mm), and the finish shall be matte. On-axis frequency response shall be maintained +4 dB within the range of 200 Hz to 20 kHz, as measured at 1 meter. Below 200 Hz the response,

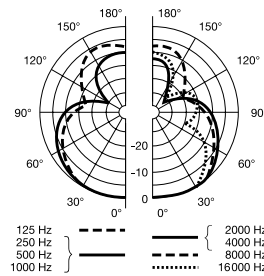
measured at 1 meter, shall diminish 6 dB/octave. Sensitivity shall be at least 6 mV/Pa, and the A-weighted noise level of the microphone shall be no higher than 20 dB. The microphone shall operate in a sound field of 137 dB with no greater than 1.0 % THD. The microphone shall operate with a 9 volt battery or with phantom powering, over the nominal standard limits of 9 to 52 Vdc. The microphone shall be the AKG Acoustics Model C 1000 S.

## Graphical Data

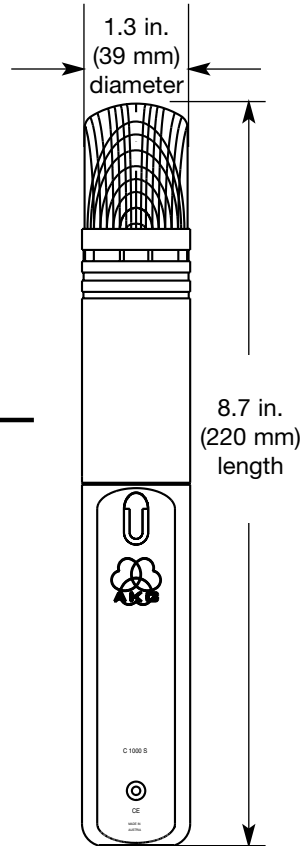
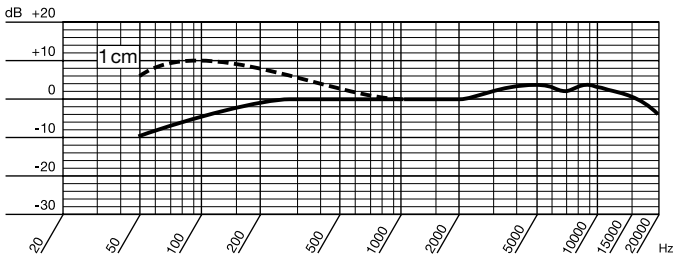
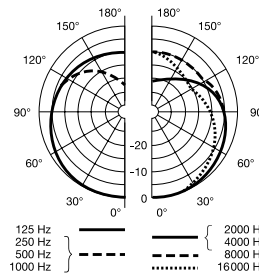
On-axis Frequency Response (measured at 1 meter)



Hypercardioid Polar Response



Cardioid Polar Response



AKG is constantly improving and modifying its products, therefore, specifications are subject to change without notice.

### Limited Warranty

Valid only in the United States. AKG Acoustics warrants AKG products against defects in material or workmanship for a period of two years from the date of original purchase for use, and agrees to repair or, at our option, replace any defective unit without charge for either parts or labor. Important: This warranty does not cover damage resulting from accident, misuse or abuse, lack of reasonable care, the affixing of any attachment not provided with the product, loss of parts or connecting the product to any but the specified receptacles. This warranty is void unless service or repairs are performed by an authorized service center. No responsibility is assumed for any special, incidental

or consequential damages. However, the limitation of any right or remedy shall not be effective where such is prohibited or restricted by law. Simply take or ship your AKG product prepaid to our service department. Be sure to include your sales slip as proof of purchase date. (We will not repair transit damage under the no-charge terms of this warranty.) Note: No other warranty, written or oral is authorized by AKG Acoustics, Inc. This warranty gives you specific legal rights, and you may also have other rights which vary from state to state. Some states do not allow the exclusion or limitation of incidental or consequential damages or limitation on how long an implied warranty lasts, so the above exclusions and limitation may not apply to you.

Microphones · Headphones · Wireless Microphones · Wireless Headphones · Headsets · Electroacoustical Components



H A Harman International Company

**AKG Acoustics GmbH**  
Lemböckgasse 21-25, P.O.B. 158, A-1230  
Vienna/AUSTRIA  
Tel: (43 1) 86 654-0\*, Fax: (43 1) 86 654-516  
Internet: <http://www.ake.com>

**AKG Acoustics**; A Division of Harman Pro Germany  
Bodenseestraße 228, D-81243 München/GERMANY  
Tel: (089) 87 16-0, Fax: (089) 87 16-200

**Arbiter Pro Audio**  
Wilberforce Road, London NW9 6AX/ENGLAND  
Tel: (0181) 202 1199, Fax: (0181) 202 7076

**AKG ACOUSTICS, U.S.**  
914 Airpark Center Drive  
Nashville, TN 37217, U.S.A.  
Tel: (615) 620-3800, Fax: (615) 620-3875

**Studer Japan Ltd.**  
2-43-7, Uehara, Shibuya-ku, Tokyo 151-0064/JAPAN  
Tel: (813) 3465-2211, Fax: (813) 3465-2214

**Erikson Pro Audio**  
620 McCaffrey, St-Laurent, Quebec, H4T 1N1, CANADA  
Tel: (514) 738-3000, Fax: (514) 737-5069  
Internet: [www.jam-ind.com/eriksonpro](http://www.jam-ind.com/eriksonpro)

## Free Manuals Download Website

<http://myh66.com>

<http://usermanuals.us>

<http://www.somanuals.com>

<http://www.4manuals.cc>

<http://www.manual-lib.com>

<http://www.404manual.com>

<http://www.luxmanual.com>

<http://aubethermostatmanual.com>

Golf course search by state

<http://golfingnear.com>

Email search by domain

<http://emailbydomain.com>

Auto manuals search

<http://auto.somanuals.com>

TV manuals search

<http://tv.somanuals.com>