

User Guide

CF Hard Drive Adapter (AD44MIDECF / AD44MIDE2CF)

www.addonics.com

v7.1.11

Technical Support

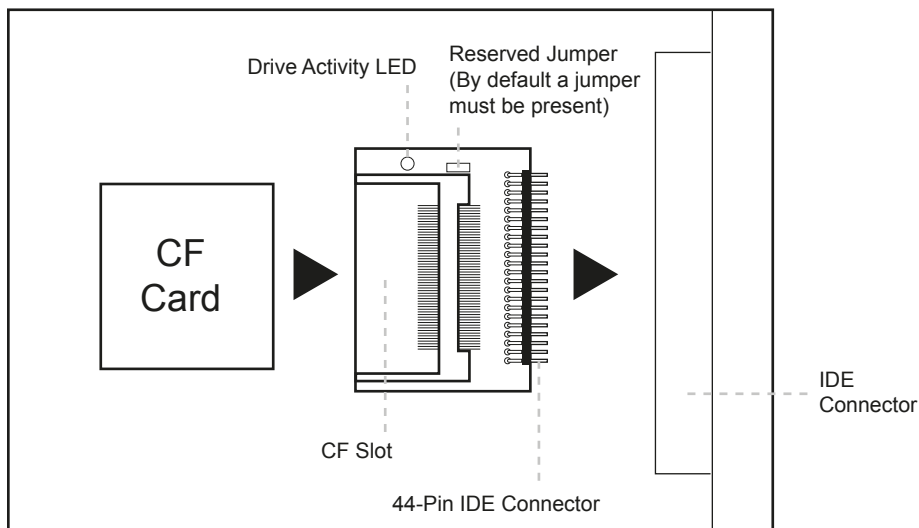
If you need any assistance to get your unit functioning properly, please have your product information ready and contact Addonics Technical Support at:

Hours: 8:30 am - 6:00 pm PST

Phone: 408-453-6212

Email: <http://www.addonics.com/support/query/>

Download from [Www.Somanuals.com](http://www.Somanuals.com). All Manuals Search And Download.



Media must be in the device during boot up. Media is not hot swappable

Instructions on How to Boot Windows XP Off a Compact Flash Card can be found on our website

Hardware Installation on a Notebook:

Step 1: Slide your Compact Flash card into the adapter.

Step 2: Take out the 2.5" hard drive of your notebook.

Step 3: Slide the CF- IDE adapter to the IDE connector of your laptop.

CONTACT US

www.addonics.com

Phone: 408-573-8580

Fax: 408-573-8588

Email: <http://www.addonics.com/sales/query/>

Free Manuals Download Website

<http://myh66.com>

<http://usermanuals.us>

<http://www.somanuals.com>

<http://www.4manuals.cc>

<http://www.manual-lib.com>

<http://www.404manual.com>

<http://www.luxmanual.com>

<http://aubethermostatmanual.com>

Golf course search by state

<http://golfingnear.com>

Email search by domain

<http://emailbydomain.com>

Auto manuals search

<http://auto.somanuals.com>

TV manuals search

<http://tv.somanuals.com>