

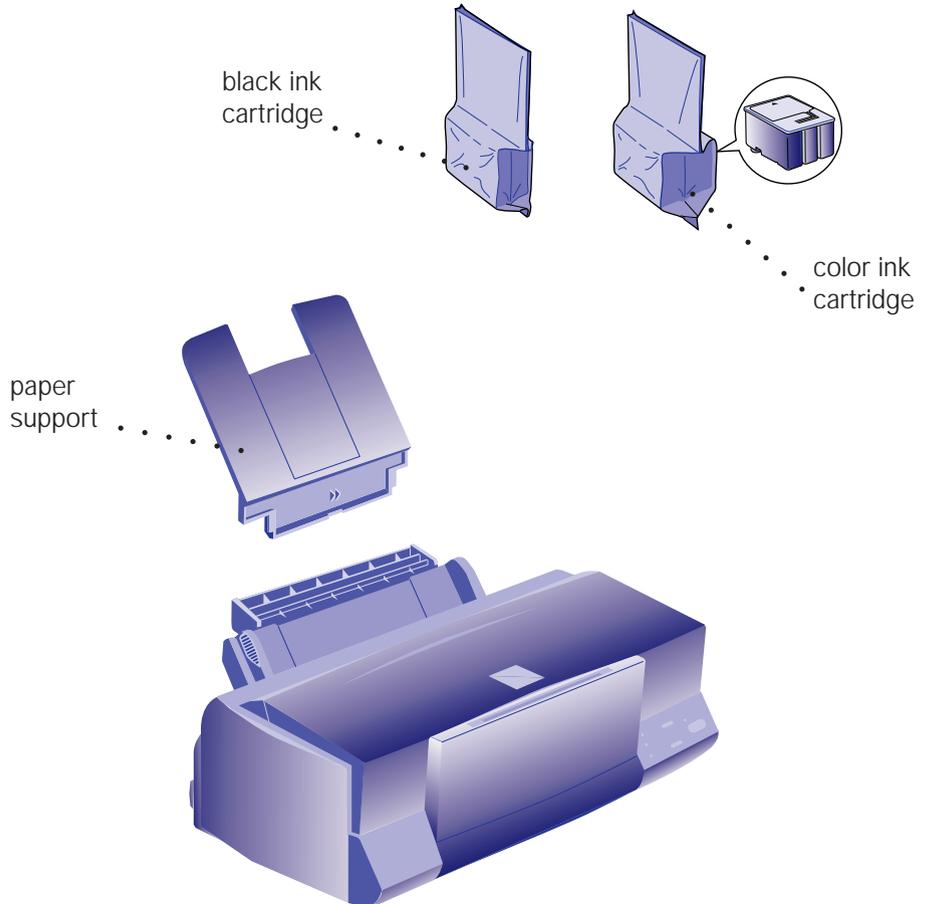
Quick Setup

Here's how to set up your new EPSON® printer ...



Unpack the Printer

Remove any packing material from the printer, as described on the Notice Sheet in the box. Save all the packaging so you can use it if you need to transport the printer later. You'll find these items inside:



Place the printer flat on a stable desk near a grounded outlet. Leave plenty of room in back for the cables and enough room in front for opening the output tray.

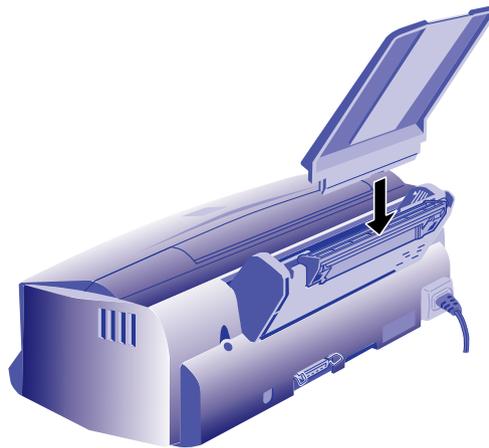
Do NOT put the printer:

- In an area with high temperature or humidity
- In direct sunlight or dusty conditions
- Near sources of heat or electromagnetic interference, such as loudspeakers or cordless telephone base units.

Also, be sure to follow the Safety Instructions in the Introduction of your *User's Guide*.

2 Attach the Paper Support

Insert the paper support in the top slot on the back of the printer.



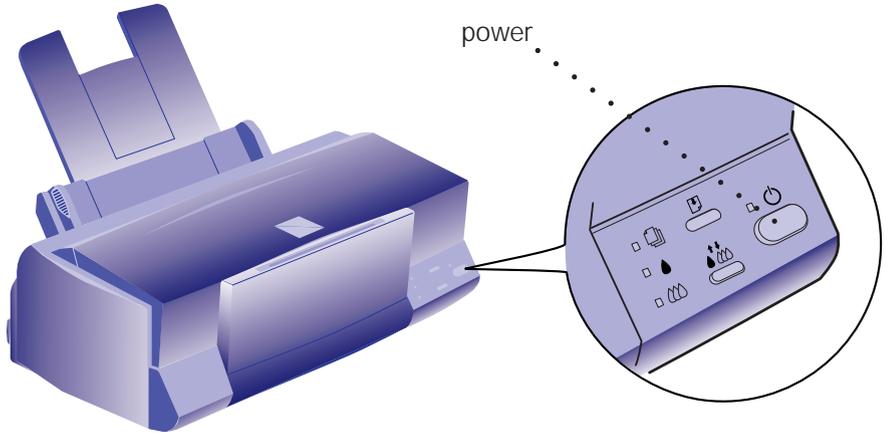
3 Plug In the Printer

1. First make sure the power is off. Check the  power button; it's off when its surface is raised above the printer surface.



Caution:

Do not plug the printer into an outlet controlled by a wall switch or timer, or on the same circuit as a large appliance. This may disrupt the power, which can erase memory and damage the power supply.

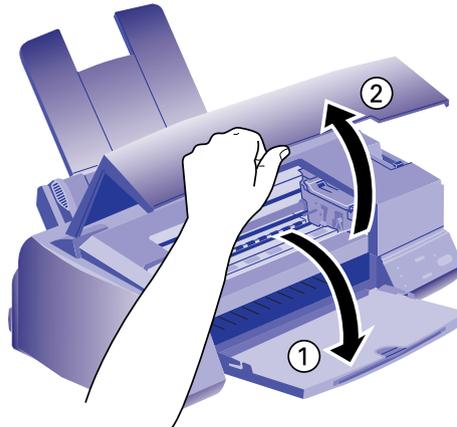


2. Plug the power cord into a properly grounded outlet. To protect the printer from power surges, you may want to use a surge protector.



Install the Ink Cartridges

1. Lower the output tray and raise the printer cover.

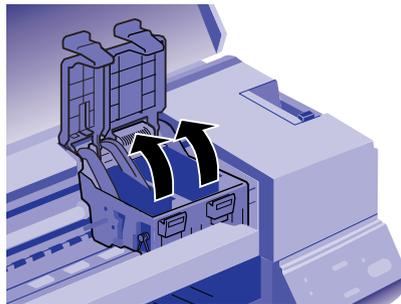


2. Press the  power button to turn on the printer. The  power light flashes, the  and  ink out lights come on, and the ink cartridge holders move to the installation position.
3. Pull up the ink cartridge clamps.



Caution:

You must remove the yellow portion of the tape seal from the top of the cartridge or you will permanently damage it. Don't remove the tape seal from the bottom or ink will leak.



Warning:

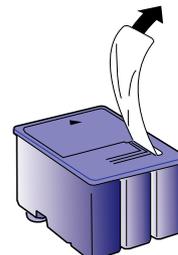
If ink gets on your hands, wash them thoroughly with soap and water. If ink gets in your eyes, flush them immediately with water.

4. Open the ink cartridge packages. Completely remove the disposable yellow portion of the tape seal on top. Don't remove the white portion.

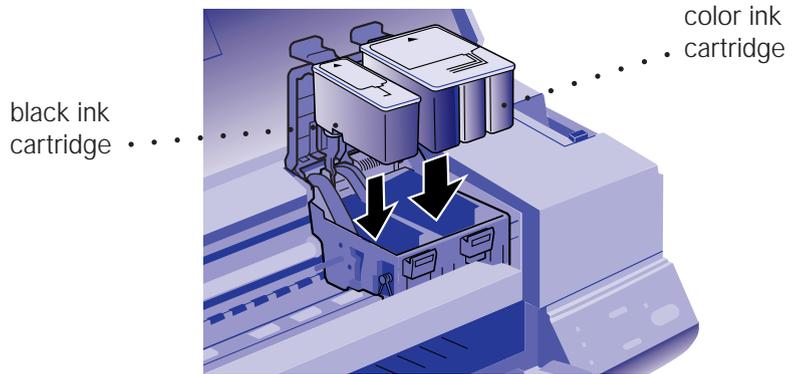
black ink cartridge



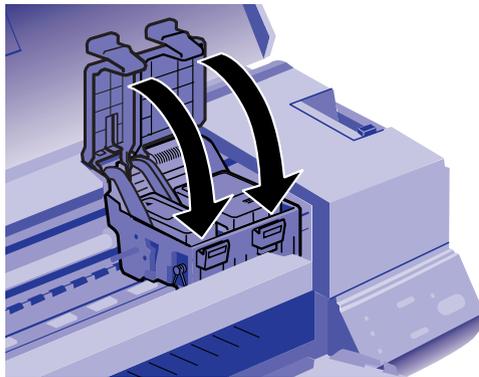
color ink cartridge



5. Lower the ink cartridges into their holders with the labels face up and the arrows pointing toward the back of the printer.



6. Push down the clamps until they lock in place.



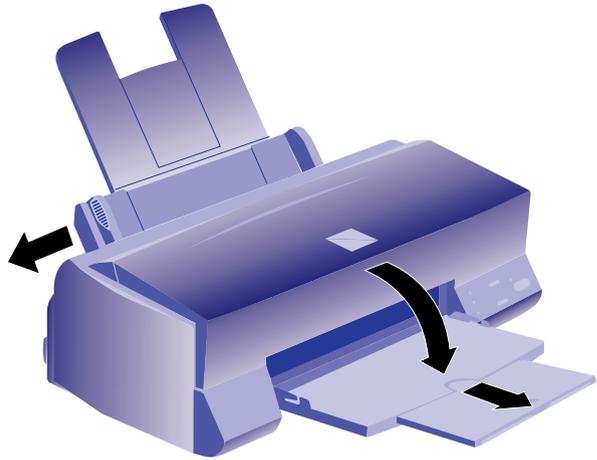
Caution:

Never turn off the printer when the  power light is flashing. If, however, the  power light is still flashing after 10 minutes and the printer is not moving or making noise, you may turn off the printer.

7. Press the  cleaning button to return the print heads to their home position and charge the ink delivery system. **Charging takes up to 7 minutes**, with the  power light flashing until it's finished. **Don't turn off the printer or interrupt this important process or you'll use up more ink than necessary.**
8. Close the printer cover.

5 Load the Paper

1. Slide the left edge guide all the way left and pull out the output tray extension.

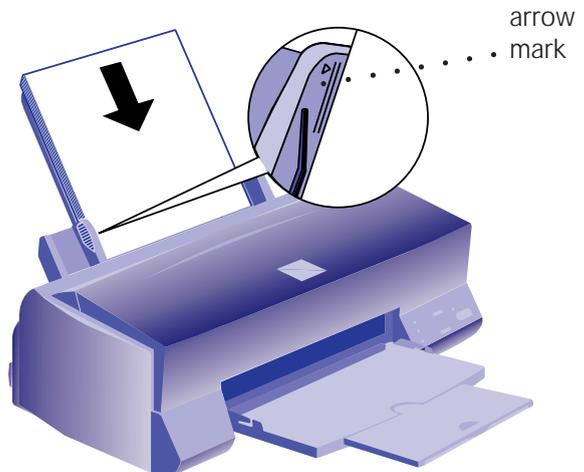


2. Fan a stack of plain paper and then even the edges.
3. Load the stack with the printable surface face up. Push the paper against the right edge guide.



Note:

Don't load paper above the arrow mark inside the left edge guide.



4. Slide the left edge guide back against the stack of paper.

6

Check the Printer

1. Turn off the printer.
2. While holding down the  load/eject button, turn on the printer. Then release the buttons.
3. A page prints out showing the ROM version and a multicolor nozzle check pattern consisting of staggered horizontal and straight vertical lines. When it's finished, turn off the printer. If you have any problems with the test, see Chapter 6 in your *User's Guide* for more information.

7

Connect the Printer to Your Computer

You can connect your EPSON Stylus COLOR 600 to either an IBM® compatible PC or an Apple® Macintosh®. You'll need a shielded parallel cable to connect to a PC or an Apple System Peripheral-8 serial cable to connect to a Macintosh. For a complete list of system requirements, see the Introduction of your *User's Guide*.

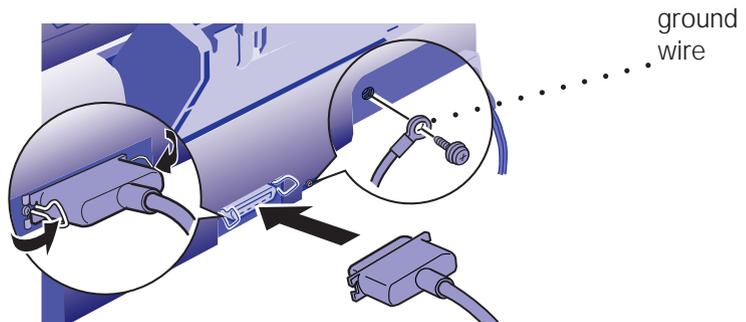


Note:

The printer is assigned to parallel port LPT1; if you want to use a different port, see your Windows® documentation for instructions.

Connecting to a PC

1. Turn off the printer and your computer.
2. Connect the cable to the printer's parallel interface; then squeeze the wire clips together until they lock in place. (If your cable has a ground wire, connect it now.)



3. Connect the other end of the cable to your computer's parallel port and secure it as necessary.



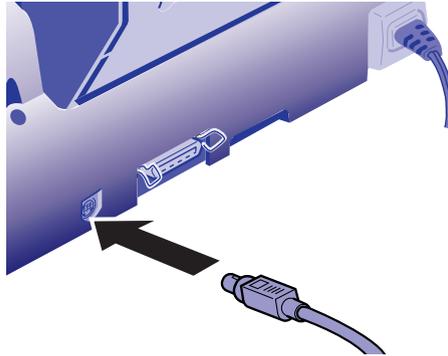
Connecting to a Macintosh

1. Turn off the printer and your Macintosh.
2. Connect one end of the cable to the serial connector on the back of the printer.



Note:

If you're using a PowerBook™ with a combination printer/modem port, connect the printer to that port.



3. Connect the other end of the cable to either the printer port  or the modem port  on your Macintosh.



Install the Printer Software

Now you need to install the printer software for Windows® 95, Windows 3.1, or Macintosh from the EPSON printer software CD-ROM.

If you don't have a CD-ROM drive, you can:

- ▶ Create install diskettes from the CD-ROM using another computer. For Windows, run the MAKE_FD.EXE program in the Drivers directory on the CD-ROM and follow the instructions on the screen. For Macintosh, follow the instructions on page 12.
- ▶ Download your printer software or order it on diskettes from EPSON. See the ordering sheet in your printer box.

In addition to the printer software, the CD-ROM contains the Look Your Best Color Pak Electronic Suite, an online bundle full of creative software for making T-shirts, banners, magnets and other great creations. You'll also get fonts, photos, and iron-on art as well as EPSON Extra Value coupons and the scoop on EPSON product and supplies.





Installing on a PC

EPSON ANSWERS

Let EPSON Answers be your on-screen guide to your new printer—it puts you on the right track quickly and easily. It opens automatically after you install your printer software from the CD-ROM. To run it again later, click its icon in the EPSON folder or program group.



After running EPSON Answers, click this icon in your EPSON program group or folder to run the Look Your Best Color Pak Electronic Suite and install your creative software programs. If you need help with your creative software, click "How to get help" in the Look Your Best Color Pak program for contact information.

The Windows printer software on the CD-ROM also contains EPSON Answers, a comprehensive online guide that includes:

- ▶ **How To** for step-by-step printer operating instructions
- ▶ **Color Guide** with practical color printing information
- ▶ **Problem Solver** to help you fix printer problems
- ▶ **Test Print** so you can check your print quality

(If you install the printer software from diskettes created from the CD-ROM or ordered from EPSON, EPSON Answers and the Look Your Best Color Pak Electronic Suite are not installed.)

Windows 95 Plug and Play

Try this plug-and-play procedure to install your printer software. If it doesn't work, try the other Windows 95 procedure on page 10.

1. Turn on the printer first, then your computer.
2. If the New Hardware Found screen appears, make sure your printer name is displayed and the Driver from disk provided by hardware manufacturer button is selected. Then click OK. (If you don't see the New Hardware Found screen, skip to "While Running Windows 95" on page 10.)
3. Insert the EPSON printer software CD-ROM (or diskette 1) in your drive.
4. Type D:\DRIVERS\WINDOWS (if you're using the CD-ROM) or A:\ (if you're using diskettes) and click OK. (If your drive uses a different letter, substitute it for D or A.)
5. At the next screen, keep or change the printer model name. If you see a question about using your printer as the Windows default printer, select Yes.
6. Click Finish and then follow the instructions on the screen to install the software. The installer creates an EPSON folder for your printer software icons and adds an icon for your printer to the Printers folder.

If you installed your software from the CD-ROM, EPSON Answers opens automatically. After running EPSON Answers, click the EPSON Look Your Best Color Pak icon in the EPSON folder to install your creative software and check out the extras. To run EPSON Answers, click its icon in the EPSON folder.





Note:

If you're setting up your computer for the first time, you may see a message asking if you want to install a printer. Select **Cancel** and then complete your Windows 95 setup. You will be prompted to restart Windows. If you then see the **New Hardware Found** screen, follow the instructions under "Windows 95 Plug and Play" to install your printer software. If you don't see the **New Hardware Found** screen, follow the instructions under "While Running Windows 95" on page 10.

If your computer is on a network and you connected the printer to a remote server, you need to set up the printer for network use after installing the printer software. See Chapter 4 of your *User's Guide* for instructions.



While Running Windows 95

1. Make sure Windows 95 is running and the printer is on. Exit any open applications.
2. Insert the EPSON printer software CD-ROM (or diskette 1) in your drive.
3. If Windows 95 launches the install program automatically, you see the EPSON Setup CD window click **Next**. At the next screen, click the **Install** icon.

If it doesn't launch automatically, double-click the **My Computer** icon; then double-click your CD-ROM drive icon. You see the EPSON Setup CD window. Click **Next**. At the next screen, click the **Install** icon.

(If you're using diskettes, double-click your diskette drive icon and click the **Setup** icon.)

4. Select **Epson Stylus COLOR 600** in the printer Model Tab and click **OK**. Follow the instructions on the screen to install the software.

The installer creates an EPSON folder for your printer software icons and adds an icon for your printer to the **Printers** folder.

If you installed your software from the CD-ROM, EPSON Answers opens automatically.

After running EPSON Answers, click the EPSON Look Your Best Color Pak icon in the EPSON folder to install your creative software and check out the extras.

To run EPSON Answers, click its icon in the EPSON folder.



Note:

If your computer is on a network and you connected the printer to a remote server, you need to set up the printer for network use after installing the printer software. See Chapter 4 of your *User's Guide* for instructions.

Windows 3.1

1. Make sure Windows Program Manager is running and the printer is on. Exit any open applications.
2. Insert the EPSON printer software CD-ROM (or diskette 1) in your drive.
3. From the File menu, select Run. Then type D:\SETUP and click OK. (If your drive uses a different letter, substitute it for D.)
4. If you're installing from the CD-ROM, you see the EPSON Setup CD window. Click Next. If you're installing from diskettes, go to step 6.
5. Click Install.
6. Select Epson Stylus COLOR 600 in the printer Model Tab and click OK. Follow the instructions on the screen to install the software.

The installer creates an EPSON program group for your printer software icons and makes your printer the Windows default printer.

If you installed your software from the CD-ROM, EPSON Answers opens automatically.



After running EPSON Answers, click the EPSON Look Your Best Color Pak icon in the EPSON program group to install your creative software and check out the extras.



To run EPSON Answers, click its icon in the EPSON program group.



Installing on a Macintosh



Note:

If your Macintosh doesn't have a CD-ROM drive, you can make install diskettes from the CD-ROM using another Macintosh. See "Making Macintosh Diskettes from the CD-ROM" on page 14 for instructions.

Follow these steps to install the printer software on your Macintosh from the CD-ROM or from diskettes you created or downloaded. (If you install the printer software from diskettes, the Look Your Best Color Pak Electronic Suite is not installed.)

1. Turn on your Macintosh and turn off any virus protection programs you may have. (See your virus protection documentation for instructions.)
2. When your Macintosh has finished starting up, turn on your printer.
3. Insert the EPSON printer software CD-ROM (or diskette 1) in your drive.
4. Double-click the EPSON Installer (or Installer) icon. Then click Continue to display the Installer Script dialog box.
5. Click Install and follow the instructions on the screen to copy the software to your hard disk. After the files are copied, a message tells you that installation complete.
6. Click Restart to restart your Macintosh.

Selecting Your Printer

After you install the software, you need to select your printer using the Chooser.

1. Open the Chooser from the Apple menu.
2. Click the EPSON Stylus(EX) icon.
3. Click the icon for the port where you connected your printer. (On a PowerBook with a combination printer/modem port, select the modem port icon.)
4. Turn on background printing if you want to run your print jobs and use your Macintosh at the same time. (Background printing is slower and may also slow down your Macintosh while you're printing.)
5. If you chose the printer port in step 3, make sure AppleTalk is inactive.
6. Close the Chooser.

Installing the Look Your Best Color Pak

To install the Look Your Best Color Pak Electronic Suite, double-click the Color Pak Installer icon in the EPSON CD-ROM window. Then follow the instructions on the screen.



After installing the Look Your Best Color Pak Electronic Suite, click the icon on the left in the Colorpak folder or in the alias on your desktop to install your creative software programs and check out the extras. If you need help with your creative software, click "How to get help" in the Look Your Best Color Pak program for contact information.

Making Macintosh Diskettes from the CD-ROM

Before making diskettes from the CD-ROM, name the formatted diskettes you'll use Disk1 and Disk2 (using a capital "D" and no space before the number). If they're not named correctly, the diskettes won't be able to install your software.

1. Turn on the Macintosh and turn off any of its virus protection programs.
2. Insert the EPSON printer software CD-ROM in your drive.
3. Double-click the CD-ROM drive icon. **You must double-click the icon even if a window opens when you insert the CD-ROM.**
4. Double-click the Drivers folder icon in the new window. The Drivers window contains the Disk1 and Disk2 folder icons.
5. Double-click the Disk1 folder.
6. Insert the diskette you named Disk1 in the diskette drive.
7. Select all the icons in the CD-ROM Disk1 folder and drag them to the Disk1 icon on your desktop.
8. When the icons are copied, eject the diskette and repeat steps 5 through 7 for the CD-ROM folder and diskette named Disk2. Eject Disk2.

You can now use the diskettes to install the printer software on your Macintosh. See page 12 for instructions.



See Your EPSON Documentation

Your EPSON Stylus COLOR 600 *User's Guide* tells you how to:

- print everything from a memo to a glossy photo
- use your printer software to fine-tune your printouts
- keep your printer working at its best
- solve any problems you may have

You can also access EPSON's convenient online help from the printer software to get quick information while you're printing.

EPSON and EPSON Stylus are registered trademarks of SEIKO EPSON CORPORATION.
General Notice: Other product names used herein are for identification purposes only and may be trademarks of their respective owners.
EPSON disclaims any and all rights in those marks.
Copyright © 1997 by Epson America, Inc.

5/97

 Printed on recycled paper with at least 10% post-consumer content.

Free Manuals Download Website

<http://myh66.com>

<http://usermanuals.us>

<http://www.somanuals.com>

<http://www.4manuals.cc>

<http://www.manual-lib.com>

<http://www.404manual.com>

<http://www.luxmanual.com>

<http://aubethermostatmanual.com>

Golf course search by state

<http://golfingnear.com>

Email search by domain

<http://emailbydomain.com>

Auto manuals search

<http://auto.somanuals.com>

TV manuals search

<http://tv.somanuals.com>