

Package Contents



15", 17", or 19"
LCD Rack Console



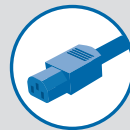
Bracket Kit



Bracket Screws



VGA, PS/2 Cable Kit



IEC Power Cable



Quick Installation
Guide



Keys

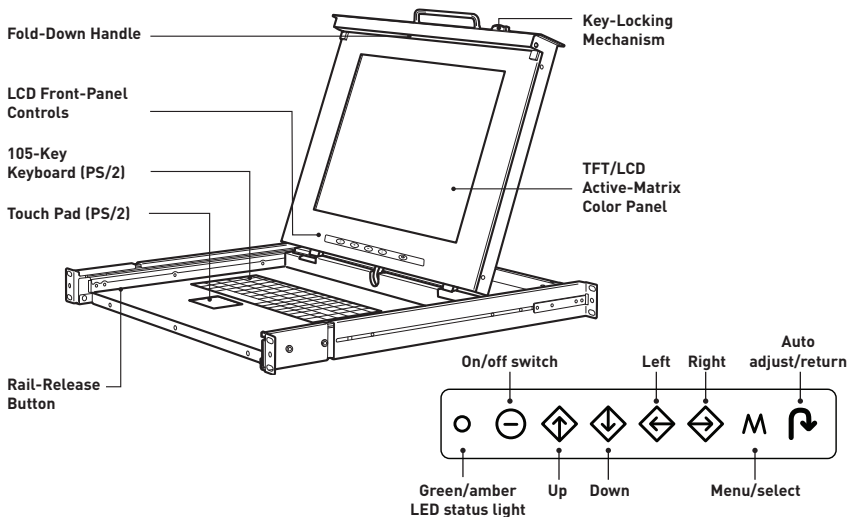
Introduction

This booklet will guide you through the basic steps needed to install the 15", 17", or 19" LCD Rack Console.

Specifications

Material	Heavy-duty steel
Power	Auto-switching 100 to 240VAC 50 to 60Hz 48 watts
Net Weight	29.0 lbs. (13.2kg.) [F1DC100P-SR] 31.0 lbs. (14.1kg.) [F1DC101P-SR] 34.7 lbs. (15.7kg.) [F1DC102P-SR]
Unit Dimensions	19 (W) x 21.7 (D) x 1.70 (H) in. (482.6 x 551.2 x 43.18mm) [F1DC100P-SR and F1DC101P-SR] 19 (W) x 23.6 (D) x 1.70 (H) in. (482.6 x 599.4 x 43.18mm) [F1DC102P-SR]
Minimum Rack-Mount Depth	21.5 in. (546.1mm) [F1DC100P-SR, F1DC101P-SR, and F1DC102P-SR]
Maximum Rack-Mount Depth	31.5 in. (800.1mm) [F1DC100P-SR, F1DC101P-SR, and F1DC102P-SR]
Display Type	15" TFT/LCD active-matrix color [F1DC100P-SR] 17" TFT/LCD active-matrix color [F1DC101P-SR] 19" TFT/LCD active-matrix color [F1DC102P-SR]
Resolution	Up to 1024x768 [F1DC100P-SR] Up to 1280x1024 [F1DC101P-SR and F1DC102P-SR]
Contrast Ratio	400:1 [F1DC100P-SR] 450:1 [F1DC101P-SR] 1000:1 [F1DC102P-SR]
Brightness	250 cd/m ² typical [F1DC100P-SR] 300 cd/m ² typical [F1DC101P-SR and F1DC102P-SR]

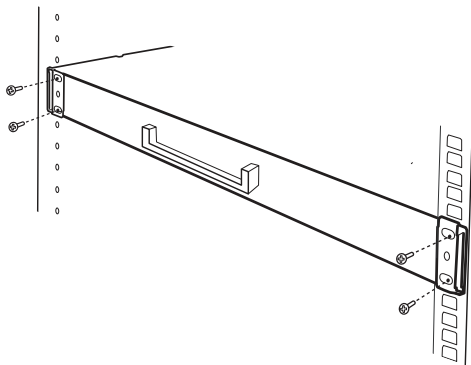
Pixel Pitch	0.297mm [F1DC100P-SR] 0.264mm [F1DC101P-SR] 0.294mm [F1DC102P-SR]
Panel Color	16.0 million display colors [F1DC100P-SR] 16.2 million display colors [F1DC101P-SR] 16.7 million display colors [F1DC102P-SR]
Response Time	Rising 5ms, Falling 13ms [F1DC100P-SR] Rising 3ms, Falling 10ms [F1DC101P-SR] Rising 1.3ms, Falling 3.7ms [F1DC102P-SR]
Keyboard Type	Laptop style
Keyboard Connection	PS/2
Mouse Type	Touchpad style
Mouse Connection	PS/2
Operating Life of Individual Keys	8 million cycles



Installation

Step 1: Place the console inside the rack.

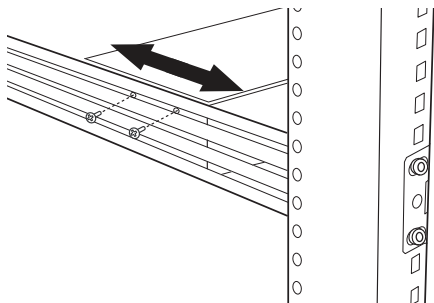
Step 2: Mount the front brackets to the rack.



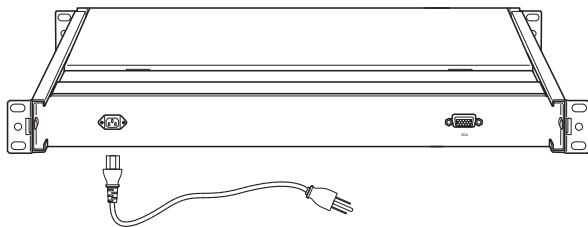
Step 3: Connect the rear brackets to the Console with the provided screws.

Step 4: Adjust the length of the rack-mount brackets.

Step 5: Lock the adjustable brackets by tightening the rear screws.



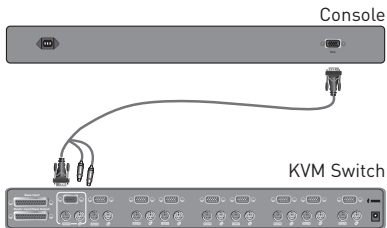
Step 6: Connect the IEC power cable to an active power outlet and power up the Console.



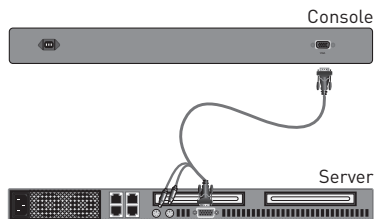
Connecting the KVM Switch or Server

- Step 1** Make sure your KVM switch or server is powered OFF.
- Step 2** Using the included PS/2 KVM Cable Kit, connect one set of VGA and PS/2 connectors to the back of the Console. (Refer to diagrams below.)
- Step 3** Connect the other end of the Cable Kit to the console monitor, keyboard, and mouse ports on your KVM switch or server. (Refer to diagrams below.)
- Step 4** Power ON the Console.
- Step 5** Power ON the KVM switch or server connected to the Console.

Step 2
Connecting to a KVM switch



Step 3
Connecting to a server



You are now ready to use your LCD Rack Console.

The Console offers two power on/off methods:

- a power switch on the rear, and
- an LCD power-save (with drawer closure).

Troubleshooting

My Console doesn't appear to be on.

Make sure that the power switch located at the front of the keyboard drawer is “on” and that the power cable is connected properly.

What is the maximum video resolution that the LCD panel supports?

The LCD panel supports a resolution of up to 1024x768 (F1DC100P-SR) and 1280x1024 (F1DC101P-SR and F1DC102P-SR).

Do I have to install any software to use the Console?

No, the Console does not require any drivers or software to be installed in your computers. Simply connect the Console directly to a computer or to a KVM switch, and it is ready for use.

BELKIN®

15", 17", or 19" LCD Rack Console

BELKIN®

www.belkin.com

Belkin Tech Support

US: 800-223-5546, ext. 2263

310-898-1100, ext. 2263

UK: 0845 607 77 87

Australia: 1800 235 546

New Zealand: 0800 235 546

Singapore: 65 64857620

Europe: www.belkin.com/support

Belkin International, Inc.

501 West Walnut Street

Los Angeles, CA 90220, USA

310-898-1100

310-898-1111 fax

Belkin Ltd.

Express Business Park, Shipton Way

Rushden, NN10 6GL, United Kingdom

+44 (0) 1933 35 2000

+44 (0) 1933 31 2000 fax

Belkin B.V.

Boeing Avenue 333

1119 PH Schiphol-Rijk, The Netherlands

+31 (0) 20 654 7300

+31 (0) 20 654 7349 fax

Belkin Ltd.

4 Pioneer Avenue

Tuggerah Business Park

Tuggerah, NSW 2259, Australia

+61 (0) 2 4350 4600

+61 (0) 2 4350 4700 fax

© 2008 Belkin International, Inc. All rights reserved. All trade names are registered trademarks of respective manufacturers listed.

P75623-B

BELKIN®

15", 17", or 19"
LCD Rack Console

Start Here →



Quick Installation Guide

F1DC100P-SR
F1DC101P-SR
F1DC102P-SR

Free Manuals Download Website

<http://myh66.com>

<http://usermanuals.us>

<http://www.somanuals.com>

<http://www.4manuals.cc>

<http://www.manual-lib.com>

<http://www.404manual.com>

<http://www.luxmanual.com>

<http://aubethermostatmanual.com>

Golf course search by state

<http://golfingnear.com>

Email search by domain

<http://emailbydomain.com>

Auto manuals search

<http://auto.somanuals.com>

TV manuals search

<http://tv.somanuals.com>