

Warranty:

This warranty remains in effect for five years from date of purchase for speaker components, one year on subwoofer amplifiers and electronics components.

Persons Protected: This warranty will only be enforceable by the original owner during the warranty period so long as proof of date of purchase from an authorized dealer is presented whenever warranty service is required.

What is covered: Except as otherwise specified below this warranty covers all defects in materials and workmanship in this product. The following are not covered: damage resulting from accident, misuse, abuse, neglect, product modification, improper installation, incorrect line voltage, unauthorized repair or failure to follow instructions supplied with the product; damage occurring during shipment (claims must be presented to the carrier); any product purchased outside USA or Canada, or on which the serial number has been defaced, modified or removed.

How You Can Get Service:

U.S. Purchasers: Please contact us at 1-800-225-9847 or write to: AR (attention: Customer Service Department) 17C Airport Drive Hopedale, MA 01747 We will either inform you of the name and address of an authorized repair station which will service the product or will advise you to send the product to a factory service center.

Canadian Purchasers: The product should be returned to the dealer from whom it was purchased and such dealer either will service or arrange for service of the product. If shipment of the product is required, it should be packaged properly. The original dated bill of sales must always be included with the product as proof of warranty coverage.

What We Will Pay For: We will pay for all labor and material expenses required to repair the product but you must pay any labor cost for the removal and/or installation of the product. If the product is shipped for warranty service, you must prepay the initial shipping charges, but Audiovox Electronics Corporation will pay the return shipping charges if the product is returned to an address inside the USA or Canada.

Limitation of Implied or Statutory Warranties and Conditions:

Exclusions: Audiovox Electronics Corporation's liability is limited o the repair or replacement, at our option, of any defective product and shall not include special, indirect, incidental or consequential damages of any kind. THIS WARRANTY IS EXCLUSIVE AND IN LIEU OF ANY AND ALL OTHER WARRANTIES, EXPRESSED OR IMPLIED, INCLUDING WITHOUT LIMITATION THE IMPLIED WARRANTIES OF MERCHANTABILITY AND FITNESS FOR A PARTICULAR PURPOSE AND ANY OBLIGATION, LIABILITY, RIGHT, CLAIM OR REMEDY IN CONTRACT OR TORT, WHETHER OR NOT ARISING FROM THE COMPANY'S NEGLIGENCE, ACTUAL OR IMPUTED. NO PERSON OR REPRESENTATIVE IS AUTHORIZED TO ASSUME FOR THE COMPANY ANY OTHER LIABILITY IN CONNECTION WITH THE SALE OF THIS PRODUCT. IN NO EVENT SHALL THE COMPANY BE LIABLE FOR SPECIAL, INDIRECT, INCIDENTAL OR CONSEQUENTIAL DAMAGES.

Cette garantie demeure en effet pendant cinq années de date d'achat pour des composants de haut-parleur, d'un an sur des amplificateurs de subwoofer et de composants électroniques.

Personnes protégées: Cette garantie sera applicable uniquement par le propriétaire d'origine au cours de la période de garantie aussi longtemps que la preuve de la date d'achat chez un concessionnaire agréé est présentée chaque fois qu'un service de garantie est exigé.

Ce qui est couvert par la garantie: Sauf comme autrement spécifié ci-dessous, cette garantie couvre tous les défauts des matières et de fabrication existant dans ce produit. Ce qui suit n'est pas couvert: les dommages provenant d'un accident, d'un mauvais emploi, d'un emploi abusif, de la négligence, de la modification de produit, d'une installation incorrecte, d'une tension de secteur incorrecte, d'une réparation non autorisée ou d'un manquement à suivre les instructions fournies avec le produit, les dommages se produisant au cours de l'expédition (les réclamations doivent être présentées au transporteur), tout produit acheté à l'extérieur ces États-Unis ou du Canada, ou sur lequel le numéro de série a été défigur , modifi  cu enlev .

Comment vous pouvez obtenir du service:

Acheteurs des États-Unis: Veuillez nous contacter au 1-800-225-9847 ou  crivez  : AR (  l'attention du D partement du Service Client) 17C Airport Drive Hopedale, MA 01747. Nous vous informerons du norm et de l'adresse d'une station-service autoris equi effectuera le service du produit ou nous vous conseillerons d'envoyer le produit   un centre de sevices en usine.

Acheteurs canadiens: Le produit doit  tre retourn  au concessionnaire chez qui il  t  achet  et ce concessionnaire effectuera le service ou bien prendra des mesures pour faire effectuer le service du produit. Si l'exp dition de produit est exig e, ce dernier coit  tre emball  correctement. L'acte de vente dat  d'origine doit toujours  tre inclus avec le produit comme preuve que ce dernier est couvert par la garantie.

Ce que nous paierons: Nous paierons toutes les d penses de main-d'oeuvre et de mat riaux requises pour r parer le produit, mais vous devrez payer tous frais de main-d'oeuvre encourus pour l'enl vement et/ou l'installation du produit. si le produit est exp di  pour le service de garantie, vous devrez payer d'avance les frais initiaux d'exp dition, mais Audiovox Electronics corporation paiera les frais d'exp dition de retour si le produit est retourn    une adresse   l'int rieur des  tats-Unis ou du Canada.

Limitation des garanties implicites ou  tablies par la loi et conditions:

Exclusions: La responsabilit  de Audiovox Electronics Corporation est limit e   la r paration ou au remplacement,   notre option, de tout produit d fectueux et n'inclura pas les dommages sp ciaux, indirects, accidentels ou cons cutifs de n'importe quelle sorte. CETTE GARANTIE EST EXCLUSIVE ET REMPLACE N'IMPORTE QUELLE AUTRE GARANTIE, EXPRESSE OU IMPLICITE Y COMPRIS SANS S'Y LIMITER LES GARANTIES IMPLICITES DE QUALIT  VENDABLE OU DE COMPATIBILIT  POUR UNE UTILISATION PARTICULI RE ET TOUTE OBLIGATION, RESPONSABILIT , TOUT DROIT, TOUTE R CLAMATION OU TOUT D DOMMAGEMENT POUR RAISON DE CONTRAT OU D'ACTE PR JUDICIABLE, QU'ILS OU QU'ELLES PROVIENNENT OU NON DE LA N GLIGENCE DE LA SOCI T , R ELLE OU IMPUT . AUCUNE PERSONNE NI AUCUN REPR SENTANT N'EST AUTORIS    ASSUMER POUR LA SOCI T  QUELLE AUTRE RESPONSABILIT  AU SUJET DE LA VENTE DE CE PRODUIT. EN AUCUN CAS, LA SOCI T  NE SERA TENUE RESPONSABLE DE DOMMAGES INDIRECTS, ACCIDENTELS OU CONS CUTIFS.

Sigue habiendo esta garnatia en efecto por cinco a os de la fecha de la compra para los componentes del altavoz, de un a no en los amplificadores del subwoofer y de componentes electr nicos.

Personas a quienes cubre: Esta garantia ser  ejecutoria solamente por el propietario original durante el periodo de vigencia ce la misma, siempre y cuando  ste presente prueba de la fecha de compra en un distribuidor autorizado, cuando se requiera el servicio de garantia.

Lo que est  cubierto: Con la excepci n de lo que se especifica de lo contrario a continuaci n esta garantia cubre lodos defectos de material y manos de obra en este producto. Los siguientes no est n cubiertos: da os que resultan de accidentes, uso napropiado, abuso, negligencia, modificaci n de producto, instalaci n inapropiada, voltaje de linea incorrecta, reparaci n no autorizada por el no seguir las instrucciones que se proporcionan con el producto; da os que ocurren durante el envio (las reclamaciones deben ser presentadas al transportador); cualquier producto comprado afuera de los Estados Unidos o Canad , o sobre el cual el n mero de serie hasido desfigurado, modificado o retirado.

Como Usted Puede Obtener Servicio:

Compradores en los Estados Unidos: Por favor p ngase en contacto llamando al 1-800-225-9847 o escribanos a : AR (Atenci n de: Departamento de Atenci n al Cliente) 17C Airport Drive Hopedale, MA 01747. Nosotros le informaremos a usted acerca del nombre y la direcci n de una estaci n de reparaci n autorizada que proporcionar  servicio al producto o le aconsejaremos a usted que envie el producto a un centro de servicio de f brica.

Compradores Canadienses: El producto deberia ser devuelto al negociante del que fue comprado y cada negiciante proporconar  servicio o har  los arreglos para que se incluido con el producto como prueba de la cobertura de garantia

Lo Que Nosotros Pageremos: Nosotros pagaremos todos los gastos de mano de obra y material que se requieren para reparar el producto, pero usted debe pagar cualquier coste de mano de obra para el retiro y/o instalaci n del producto. Si el producto es enviado para servicio de garantia, usted debe pagar por anticipado los cargos de envio iniciales, pero la Audiovox Electronis Coproration pagar  los cargos de envio de regreso si el producto es devuelto a una direcci n dentro de los Estados Unidos o Canad .

Limitaci n de Garantias y Condiciones Impl citas o Establecidas por la Ley:

Exclusiones: La responsabilidad de Audiovox Electronics Corporation se limita a la reparaci n o el reemplazo, a nuestra opci n, de cualquier producto defectuoso y no incluir  da os especiales, indirectos, incedentales o consecuentes d  r ngun tipo. ESTA GARANTIA ES EXCLUSIVA Y TOMA EL LUGAR DE CUALQUIERA Y TODAS LAS OTRAS GARANT AS, EXPRESADAS O IMPL CITAS, INCLUYENDO SIN LIMITACI N LAS GARANT AS IMPL CITAS DE COMERCIALIZIDAD E IDONEIDAD PARA UN PROP SITO EN PARTICULAR CUALQUIER OBLIGACI N, RESPONSABILIDAD, DERECHO, RECLAMACI N O REMEDIO EN CONTRATO O AGRAVIO, QUE SURJA O NO DE LA NEGLENCIA, EFECTIVA O IMPUTADA, DE LA COMPA A. NINGUNA PERSONA O REPRESENTANTE EST  AUTORIZADO PARA ASUMIR PARA LA COMPA A NINGUNA OTRA RESPONSABILIDAD EN CONEXI N CON LA VENTA DE ESTE PRODUCTO. LA COMPA A NO SER  RESPONSABLE EN NING N CASO POR DA OS INDIRECTOS, INCIDENTALES O CONSECUENTES.

INTRODUCTION

Check your system carefully. If it has been damaged in transit, report the damage immediately by calling your AR dealer. Observe all warnings and cautions.

WARNING

To prevent fire or shock hazard, DO NOT EXPOSE this System to rain or excessive moisture.

We recommend that you not operate your speakers with the bass, treble and loudness controls set to full boost. This will place undue strain on the electronics and speakers and could damage them.

The volume control setting on your Receiver is not a specific indication of the overall loudness level of the speakers. The only important consideration is the loudness level at which the system can be played, regardless of where the volume control is set.

Whenever changing cables, pulling plugs, etc., ALWAYS TURN OFF ALL EQUIPMENT. This prevents transients from entering the speakers and prevents electrical energy from reaching you. Keep all connections out of the reach of children.

ATTENTION !

Veuillez lire compl tement ces instructions avant d'essayer de fairefonctionner votre Enceinte d'Ambiance Advent. Assurez-vous de conserver ce manuel comme r f rence pour l'avenir. Conservezaussi votre facture de vente, car elle peut  tre exig e pour le service de garantie.

AVERTISSEMENT

Pour pr venir le risque d'incendie ou de choc, N'EXPOSEZ P AS ceSyst me de Th tre maison   la pluie ou   une humidit  excessive.

Nous vous recommandons de ne pas faire fonctionner vos haut-parleurs avec les commandes des graves, des aigus et de correctionphysiologique plac es sur l'amplification maximale. Cela mettraitdes efforts injustifiables sur l' lectronique et les haut-parleurs, etcela pourrait les endommager.

Le r glage de la commande de volume sur votre r cepteur ne donnepas une indication sp cifique du niveau d' coute global des haut-parleurs. La seule chose importante   consid rer est le niveau'd' coute auquel il est possible de faire fonctionner le syst me, sanstenir compte de la position de r glage de la commande de volume.

Chaque fois que vous changez des c bles, tirez des fiches, etc.,METTEZ TOUJOURS TOUT L' QUIPEMENT   L'ARR T. Celaemp che les transitoires d'entrer dans les haut-parleurs etemp che l' nergie  lectrique de vous atteindre. Gardez toutes lesconnexions hors de la port e des enfants..

INTRODUCCI N

Controle su sistema cuidadosamente. Si ha sido da ado en tr nsito, informe los da os en forma inmediata a su concesionarioAdvent mediante un llamado telef nico. Respete todas las advertenciasy medidas de precauci n.

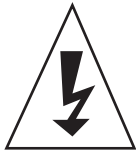
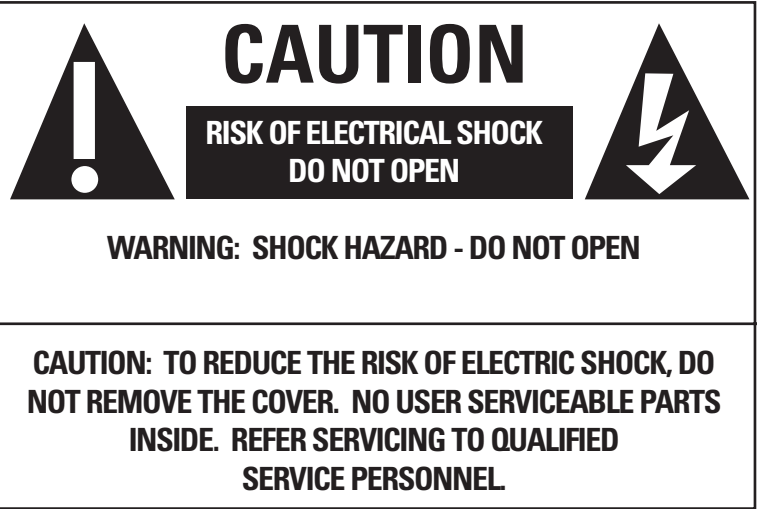
ADVERTENCIA

Para prevenir el peligro de incendio o descargas el ctricas, NOEXPONGA este Sistema de Cine Dom stico a la lluvia o humedadexcesiva.

Es aconsejable no operar los altavoces con los controles de bajos,agudos y sonoridad al nivel m ximo de amplificaci n. Si lo hacesometer  a los componentes electr nicos y a los altavoces a unexceso de tensi n y podr  da arlos.

La configuraci n del control de volumen de su Receptor no constituye una indicaci n especifica del nivel de sonoridad total delos altavoces. Lo  nico que se debe tener en cuenta es el nivel desonoridad al que puede escucharse el sistema, independiente-mente de la configuraci n de control de volumen preestablecida.

Cuando deba cambiar o desconchufar cables, etc. APAGUE TODO ELEQUIPO. De esta forma se evita el ingreso de sobretensi n a losaltavoces y el riesgo de descargas el ctricas. Mantenga todas lasconexiones fuera del alcance de los ni os.



The lightning flash with arrowhead symbol, within an equilateral triangle, is intended to alert the user to the presence of uninsulated "dangerous voltage" within the product's enclosure that may be of sufficient magnitude to constitute a risk of electrical shock to persons.

L' clair avec le symbole de fl che,   l'int rieur d'un triangle  quilat ral, est destin    avertir l'utilisateur de la pr sence d'une "tension dangereuse" non isol e   l'int rieur de l'enceinte, qui peut avoir une grandeur suffisante pour constituer un risque de choc  lectrique pour des personnes.

La luz intermitente con la punta de una flecha dentro de un tri ngulo equil tero se utiliza para alertar al usuario sobre la presencia de "voltaje peligroso" sin aislaci n dentro del gabinete del producto, que puede ser de magnitud suficiente como para exponer a las personas a un riesgo de descarga el ctrica.



The exclamation point within an equilateral triangle is intended to alert the user to the presence of important operating and maintenance (servicing) instructions in the literature accompanying the product.

Le point d'exclamation   l'int rieur d'un triangle  quilat ral est destin    avertir l'utilisateur de la pr sence d'instructions i mportantes de fonctionnement et d'entretien (maintenance) dans la documentation accompagnant le produit.

El signo de exclamaci n dentro de un tri ngulo equil tero sirve para alertar al usuario acerca de la existencia de instrucciones de operaci n y mantenimiento (reparaciones) en el material impreso que acompa a al producto.

PL900 SPEAKER SYSTEM:

Contents of Carton:
1 Satellite Speaker

HOW TO PLACE YOUR SYSTEM COMPONENTS:

The optimum listening position is at the tip of the so-called "stereo triangle"(Fig.1). The equilibrium between the right and left stereo channels is best in this position, providing the most balanced and realistic sound reproduction. Your AR speakers will operate most efficiently when they are located in parts of the room with "hard" acoustics, i.e., areas including hard, smooth surfaces such as walls and wooden furniture. The speakers should radiate the sound from this hard area into the "softer" parts of the room containing sound-absorbing elements such as upholstered furniture, carpets and so on. Make sure that there are no sound-absorbing obstacles between the speakers and your listening position, as this will muffle the sound and impair your listening pleasure. Your PL900 Series speakers are fully shielded for use in audio/video applications. This allows you to place any of the speakers next to the television without affecting picture quality. If you are using other speakers, be sure to locate them at least 3 feet away from the television to avoid interference to the set's picture. The speakers should be installed at least 1 foot away from the side walls. This prevents exaggerated "booming" bass and helps to produce more balanced, detailed sound reproduction. If possible, the speakers should be installed so that the tweeters are on the same level as the listener's ears. If you install the speakers in a wall unit, take care to ensure that the fronts of the speakers are flush with the front of the wall unit.

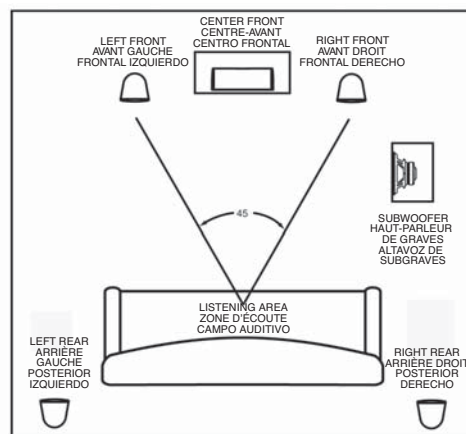
CONNECTING THE SURROUND SPEAKERS:

Strip the insulation from the connection cable ends and twist the ends tightly or tin them with solder. Then insert the ends in the connection terminals and secure them. **Caution:** Take care to ensure that the speaker cables are connected with the correct polarity! Connect the negative amplifier output terminal (black) to the negative connection terminal of the AR speaker (also black). Proceed in the same way to connect the positive terminals, which are normally red. Standard speaker connection cables normally have a colored marking or indentation in the surface of the insulation to distinguish the two leads from one another.

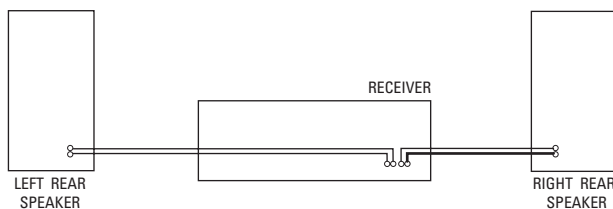
IMPORTANT:

Always connect the red (+) terminal on the Receiver to the red (+) terminal on the corresponding Speaker i.e. Front Left. Connect the corresponding black (-) terminal on the Receiver to the black (-) terminal on the same Speaker. Continue until all of the speakers have been connected in this manner.

fig 1



CONNECTION WITH SPEAKER WIRE



SATELLITE STAND-MOUNTING: (fig2)

STEP 1 – Screw the provided lock-nuts onto both threaded ends of the stand tube.
STEP 2 – Connect the stand tube to the base by turning the base clockwise until it is tight. Thread the lock-nut onto the stand tube and tighten against the base – locking it into place.
STEP 3 – Connect the speaker to the stand by turning the speaker clockwise until it is tight and lined up with the base. Tighten the lock-nut against the speaker and lock it into place.
STEP 4 – Connect the speaker wire to the 5-way binding posts making sure the positive and negative wires are connected properly. Failure to match the polarity will result in the speakers being out of phase.

SATELLITE WALL-MOUNTING: (fig3)

STEP 1 – After marking the level location on the wall, mount the wall plate to the wall using the included hardware. Make sure your screws are securely mounted into the wall studs or that the proper anchors are used for a hollow wall application.
STEP 2 – Securely fasten the bracket head to the back of the speaker using the included hardware.
STEP 3 – Connect the two bracket components together by placing the mounting pin on the wall plate into the bracket head mounted to the back of the speaker.
STEP 4 – Adjust the speaker positioning by swiveling left or right to create a focused listening position.

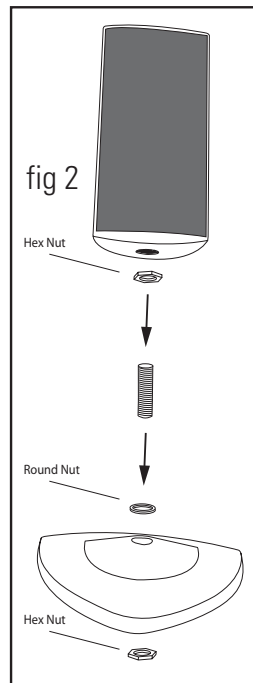
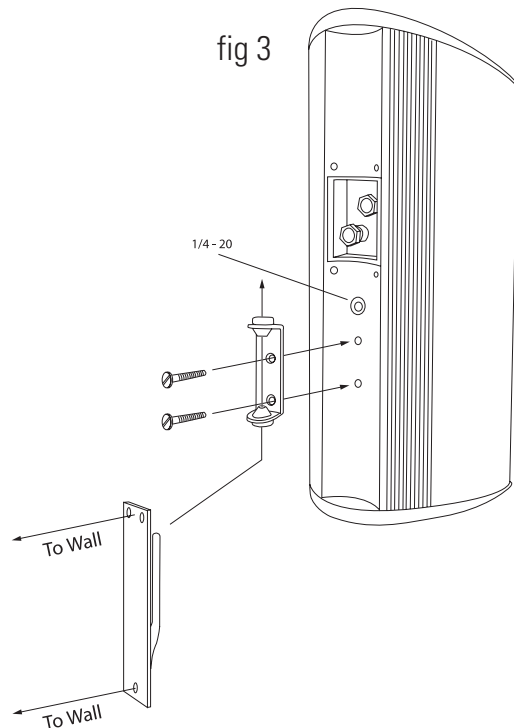


fig 3



NO SOUND FROM THE SATELLITE SPEAKERS.

- Be sure the Receiver's POWER Switch is in the ON position.
- Check the Receiver's Volume Control Setting - if it is all the way down, there won't be any sound.
- Check that the Receiver's Isurround mode is on, and that your source material is surround encoded and not stereo only.
- Be sure that the Receiver's Speaker Selector switch is turned to the position [A or B, 1 or 2] that you have your Front speakers connected to. If the Receiver has a headphone jack, you can use headphones to check the Receiver for output.

ATTENTION IMPORTANT SAFETY PRECAUTIONS:

Please read these instructions thoroughly before attempting to operate your AR Surround System. Be sure to save this manual for future reference. Also save your bill of sale, as it may be required for warranty service.

CLEANING:

Do not use liquid cleaners or aerosol cleaners. Use a damp cloth for cleaning.

ATTACHMENTS:

Do not use attachments not recommended by AR as they may cause hazards.

WATER and MOISTURE:

Do not use the AR Speaker System near water - for example: near a bath tub, wash bowl, kitchen sink, or laundry tub; in a wet basement, near a swimming pool, or similar locations.

HEAT:

The AR Surround System should be situated away from heat sources such as radiators, heat registers, stoves, or other products (including amplifiers) that produce heat.

ACCESSORIES:

Do not place the AR Speaker System on an unstable cart, stand, tripod, bracket or table. The product may fall, causing serious injury to a child or adult, and serious damage to the product. Use only with brackets and stands recommended by AR or sold with the AR Speaker System. Any mounting of the speakers should follow AR's instructions and should use a mounting accessory recommended by AR.

OBJECT AND LIQUID ENTRY:

Never push objects of any kind into this product through openings as they may touch dangerous voltage points or short-out parts that could result in a fire or electric shock. Never spill liquid of any kind on the AR Speaker System.

SPECIFICATION:

Satellites:

Driver Compliment: Dual 4" with 30mm Super Tweeter
Frequency Response: 100Hz-50kHz +/-3dB
Sensitivity: 88dB, 2.83V/1meter
Nominal Impedance: 8 ohms
Recommended Amplifier Power: 5 to 75 watts
Finish: Extruded Aluminum
Dimensions: 12.25"H x 5.25"W x 4.375"D

SYSTÈME DE HAUT-PARLEURS PL900

Contenu de l’emballage :

1 haut-parleur satellite

COMMENT POSITIONNER LES COMPOSANTS DE VOTRE SYSTÈME :

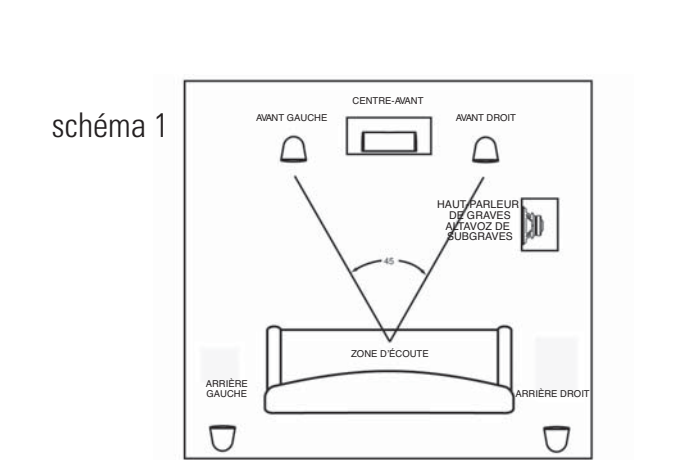
La position d’écoute optimale se situe à la pointe du fameux ‘triangle stéréophonique’ (schéma 1). L’équilibre parfait entre les canaux stéréo de droite et de gauche s’obtient à cette position, vous offrant une reproduction sonore des plus réalistes. Vos enceintes acoustiques Acoustic Research seront les plus efficaces lorsqu’elles seront positionnées dans les parties de la pièce dont l’acoustique est ‘rigide’, en d’autres mots, les endroits aux surfaces dures et lisses, telles que les murs et les meubles en bois. Les enceintes devraient réfléchir le son depuis ces surfaces dures jusqu’aux surfaces plus ‘douces’ de la pièce, qui contiennent des éléments qui absorbent le son tels que les meubles rembourrés, les tapis et ainsi de suite. Assurez-vous qu’il n’y ait pas de matériaux absorbant le son entre les enceintes acoustiques et votre position d’écoute, car ceci assourdira le son et diminuera votre plaisir d’auditeur. Vos enceintes acoustiques de la série PL900 sont dotées d’un blindage magnétique intégral pour les applications audio et vidéo. Ceci vous permet de positionner n’importe laquelle des enceintes à côté de votre téléviseur sans déranger la qualité d’image. Si vous utilisez d’autres enceintes acoustiques, assurez-vous de les placer à au moins trois (3) pieds du téléviseur afin d’éviter de créer des interférences à l’image du téléviseur. Installez les enceintes à au moins un (1) pied des murs latéraux. Ceci permet d’éviter l’effet de ‘booming’ exagéré des graves et contribue à produire un son plus détaillé et mieux équilibré. Si possible, vous devriez installer les enceintes de façon à ce que les haut-parleurs d’aigus (‘tweeters’) soient situés à la même hauteur que les oreilles de l’auditeur. Si vous installez les enceintes dans une unité murale, assurez-vous de positionner l’avant de celles-ci (le grillage) au même niveau (affleurant) que l’avant de l’unité murale.

RACCORDER LES HAUT-PARLEURS AMBIOPHONIQUES :

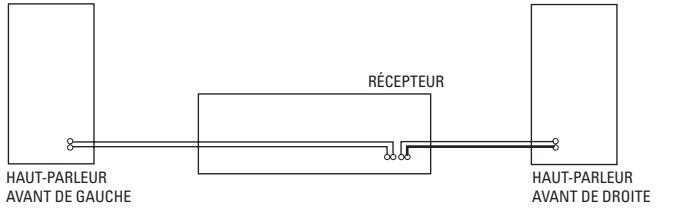
Dénudez la partie isolante des extrémités des câbles de raccord et serrez les brins de fil en les tordant ensemble ou étamez-les à l’aide de soudure de plomb. Ensuite, insérez les extrémités dans les bornes de raccord et vérifiez si elles sont solides. Mise en garde : Vérifiez si la polarité des câbles des haut-parleurs est bien respectée! Raccordez la borne de sortie négative de l’amplificateur (noire) à la borne de raccord négative de l’enceinte Acoustic Research (également noire). Faites de même pour raccorder les bornes positives, qui sont normalement de couleur rouge. Les câbles de raccord standard possèdent normalement une inscription ou une marque de couleur à la surface de sa gaine d’isolation, qui distingue un câble de l’autre.

IMPORTANT :

Raccordez toujours la borne de couleur rouge (+) du récepteur à la borne rouge (+) du haut-parleur correspondant, par exemple, le côté avant de gauche. Similairement, raccordez la borne noire (-) du récepteur à la borne noire (-) du même haut-parleur. Continuez ainsi jusqu’à ce tous les haut-parleurs aient été raccordés de cette manière.



RACCORD AVEC LES CÂBLES POUR HAUT-PARLEURS



MONTAGE DU SUPPORT DU SATELLITE :

(schéma 2)

ÉTAPE 1 – Vissez les contre-écrous inclus sur les deux extrémités filetées du tube du support.

ÉTAPE 2 – Fixez le tube du support sur la base en tournant celle-ci dans le sens des aiguilles d’une montre, jusqu’à ce qu’il soit serré. Vissez le contre-écrou sur le tube du support et serrez contre la base – en le verrouillant en position.

ÉTAPE 3 – Fixez le haut-parleur au support en tournant celui-ci dans le sens des aiguilles d’une montre, jusqu’à ce qu’il soit bien serré et aligné avec la base. Serrez le contre-écrou contre le haut-parleur et verrouillez-le en position.

ÉTAPE 4 – Raccordez le câble pour haut-parleur aux bornes de connexion à 5 voies, en vous assurant que les câbles positif et négatif sont branchés correctement. Si les polarités ne sont pas appariées adéquatement, les haut-parleurs seront hors phase.

MONTAGE MURAL DU SATELLITE : (schéma 3)

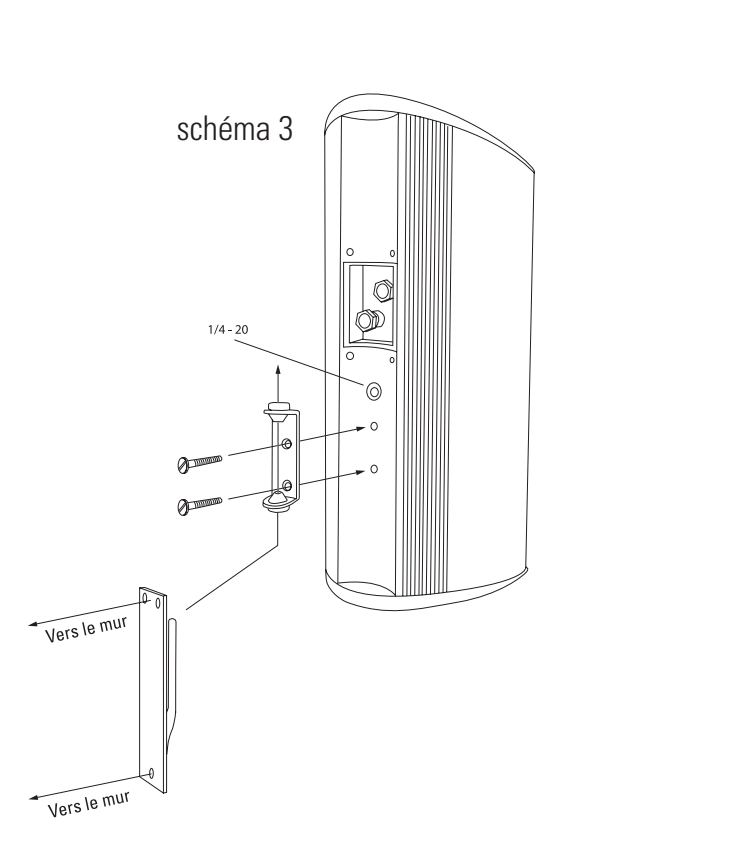
ÉTAPE 1 – Après avoir marqué l’emplacement sur le mur, à la hauteur désirée, installez la plaque murale à l’aide de la quincaillerie appropriée selon votre type de mur.

Assurez-vous de visser solidement les vis dans les montants ou solives à l’intérieur du mur ou utilisez les ancrages adéquats pour les installations dans les murs creux.

ÉTAPE 2 – Attachez solidement la partie supérieure du support à l’arrière du haut-parleur en utilisant la quincaillerie incluse.

ÉTAPE 3 – Joignez les deux composantes du support en plaçant les tiges de fixation de la plaque murale dans la partie supérieure des supports à l’arrière du haut-parleur.

ÉTAPE 4 – Ajustez la position du haut-parleur en le pivotant vers la gauche ou la droite afin de créer la meilleure position d’écoute, celle qui fera converger le mieux le son vers l’auditeur.



LES ENCEINTES AVANT NE PRODUISENT PAS DE SON.

- Assurez-vous de mettre l’interrupteur de MISE EN MARCHE-ARRÊT du récepteur à ‘ON’ (sous tension).
- Vérifiez le réglage de la commande de volume du récepteur - si elle est baissée au minimum, vous n’obtiendrez aucun son.
- Vérifiez si le sélecteur d’entrée du récepteur est réglé à une source audio active et si la boucle de monitoring de la platine à cassette ‘TAPE MONITOR’ n’est pas activée.
- Assurez-vous que le sélecteur des haut-parleurs du récepteur est tourné à la position [A or B, 1 ou 2] où sont raccordées vos enceintes acoustiques avant. Si le récepteur est doté d’une prise de casque d’écoute, vous pouvez utiliser le casque pour vérifier la sortie du récepteur.

ATTENTION! MESURES DE SÉCURITÉ IMPORTANTES :

Veillez lire attentivement ces instructions avant d’utiliser votre système ambiophonique d’Acoustic Research. Assurez-vous de conserver ce guide en lieu sûr pour toute référence ultérieure. Conservez également votre facture d’achat, car on peut l’exiger lors d’un appel de service sous garantie.

NETTOYAGE :

N’utilisez pas de solutions de nettoyage liquides ni en aérosols. Utilisez un chiffon légèrement humecté d’eau pour nettoyer l’appareil.

FIXATIONS :

N’utilisez pas de fixations ni de supports qui ne sont pas recommandés par Acoustic Research, car ils pourraient constituer des risques de blessures ou de bris.

EAU et HUMIDITÉ :

Ne pas utiliser le système d’enceintes acoustiques d’Acoustic Research près de l’eau - par exemple : à proximité d’une baignoire, d’une cuvette, d’un évier de cuisine ni d’une cuve à lessive; dans un sous-sol humide, près d’une piscine ou autres endroits similaires.

CHALEUR :

Le système d’enceintes acoustiques d’Acoustic Research devrait être situé à une distance appréciable de sources de chaleur telles que les calorifères, plinthes électriques, cuisinières ou autres appareils (incluant les amplificateurs) qui produisent de la chaleur.

ACCESSOIRES :

Ne positionnez pas le système d’enceintes acoustiques d’Acoustic Research sur un chariot, support, trépied, fixation ou table qui soient chancelants. L’appareil peut tomber, causer de sérieuses blessures à un enfant ou un adulte, ainsi qu’endommager le produit. N’utilisez que les supports et fixations recommandés par Acoustic Research ou vendus avec ce système d’enceintes acoustiques d’Acoustic Research. Vous devez, pour installer les enceintes acoustiques, suivre les directives d’AR à la lettre et il est impératif de n’utiliser que les accessoires de montage recommandés par Acoustic Research.

INSERTION D’OBJETS ET DE LIQUIDES :

N’insérez jamais d’objets à travers les ouvertures de cet appareil, car ils pourraient entrer en contact avec des points de tension dangereux ou court-circuiter des composantes internes, ce qui peut occasionner des risques d’incendie ou d’électrocution. Ne laissez jamais de liquide tomber sur le système d’enceintes acoustiques d’Acoustic Research.

SPÉCIFICATIONS :

Haut-parleur satellite :
Composantes des transducteurs : Deux haut-parleurs de 4 po avec Super Tweeter de 30 mm
Réponse en fréquences : 100 Hz à 50 kHz, +/- 3 dB
Sensibilité : 88 dB, 2,83 V/1 mètre
Impédance : 8 ohms
Puissance admissible : 5 à 75 watts
Fini : Aluminium extrudé
Dimensions : 12,25 po H x 5,25 po L x 4,375 po P

SISTEMA DE ALTAVOCES PL900

Contenido de la caja
1 altavoz satélite

CÓMO COLOCAR LOS COMPONENTES DE SU SISTEMA:

La posición óptima para escuchar está en la punta de lo que se llama “triángulo del estéreo” (Fig.1). El equilibrio entre los canales en estéreo, derecho e izquierdo, está mejor en esta posición, suministrando la reproducción de sonido más balanceado y real. Sus altavoces AR funcionarán con más eficacia cuando estén ubicados en partes de la habitación con acústica “sólida” por ejemplo, en áreas con superficies duras y lisas, así como paredes y muebles de madera. Los altavoces deben emitir el sonido desde esta área sólida hacia las partes más “suaves” de la habitación con elementos de absorción de sonido, así como muebles tapizados, alfombras etc.

Asegúrese de que no haya obstáculos que absorban el sonido entre los altavoces y su posición de audición, ya que esto puede causar que el sonido suene sordo e impedir su placer auditivo.

Sus altavoces de la serie PL900 están completamente protegidos para poder usarlos con aplicaciones de audio/video. Esto le permite colocar cualquiera de los altavoces al lado de la televisión sin afectar la calidad de la imagen. Si está usando otros altavoces, asegúrese de colocarlos por lo menos a 3 pies de la televisión para evitar interferencia con la imagen. Los altavoces deben estar instalados por lo menos a 1 pie de la pared para prevenir el bajo exagerado “booming” y para ayudar a producir una reproducción de sonido más balanceado y detallado. Si es posible, los altavoces deben estar instalados de manera que los tweeters estén al nivel de los oídos de la persona. Si instala los altavoces en un armario, asegúrese de que el frente de los altavoces esté uniforme con la parte delantera del armario.

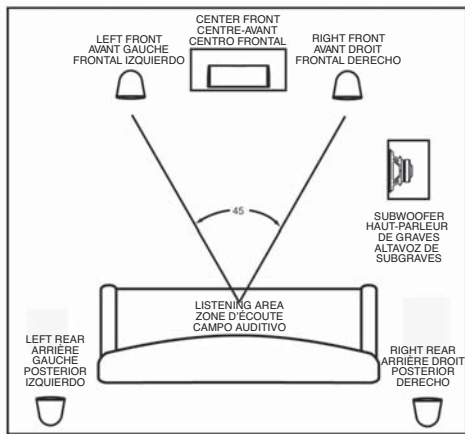
CONEXIÓN DE LOS ALTAVOCES DE SONIDO ENVOLVENTE:

Pele el aislamiento de los extremos de los cables de conexión y retuerza apretando los extremos o sáldelos. Luego inserte los extremos en los terminales de conexión y asegúrelos. Cuidado: ¡Asegúrese de que los cables de los altavoces estén conectados con la polaridad correcta! Conecte el terminal de salida negativo (negro) del amplificador al terminal de conexión negativo del altavoz AR (también negro). Haga lo mismo para conectar los terminales positivos, los cuales son normalmente rojos. Los cables estándar de conexión de altavoces están normalmente marcados en color o tienen una mella en la superficie del aislamiento para distinguir los cables entre ellos.

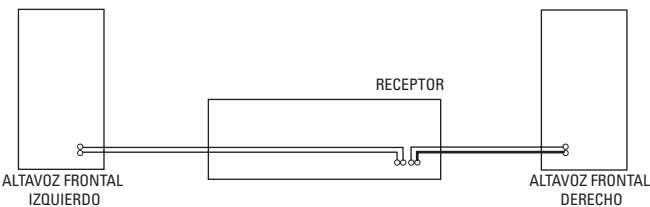
IMPORTANTE:

Conecte siempre el terminal (+) rojo en el receptor con el terminal (+) rojo en el altavoz correspondiente, por ejemplo, izquierdo delantero. Conecte el terminal (-) negro en el receptor con el terminal (-) negro en el mismo altavoz. Continúe hasta que todos los altavoces hayan sido conectados de esta manera.

fig 1



CONEXIÓN CON CABLE PARA ALTAVOCES



MONTAJE DEL SATÉLITE SOBRE UN PEDESTAL: (Fig.2)

Paso 1º - Atornille las tuercas suministradas en los dos extremos del pedestal de tubo.

Paso 2º - Conecte el pedestal de tubo a la base girándola en dirección de las agujas del reloj hasta que esté apretado. Enrosque la tuerca en el pedestal de tubo y apriétela contra la base – encajándola en sitio.

Paso 3º - Conecte el altavoz con el soporte girando el altavoz en dirección de las agujas del reloj hasta que esté apretado y alineado con la base. Apriete la rosca contra el altavoz y encájela en sitio.

Paso 4º - Conecte el cable para los altavoces en los postes, asegurando que los cables, positivo y negativo, estén conectados correctamente. Si no conecta la polaridad correctamente, los altavoces estarán fuera de fase.

MONTAJE DEL SATÉLITE EN LA PARED: (Fig.3)

Paso 1º - Después de marcar en la pared la localidad para el montaje, monte la placa en la pared usando la ferretería incluida. Asegúrese de que los tornillos estén montados firmemente en las maderas de la pared o de usar los anclajes correctos para paredes huecas.

Paso 2º - Conecte bien la cabeza de la escuadra en el dorso del altavoz usando la ferretería incluida.

Paso 3º - Conecte los dos componentes de las escuadras juntos colocando las púas de montaje en la placa, dentro de las cabezas de la escuadra montada detrás del altavoz.

Paso 4º - Ajuste la posición del altavoz moviendo hacia la izquierda o la derecha para crear una ubicación auditiva enfocada.

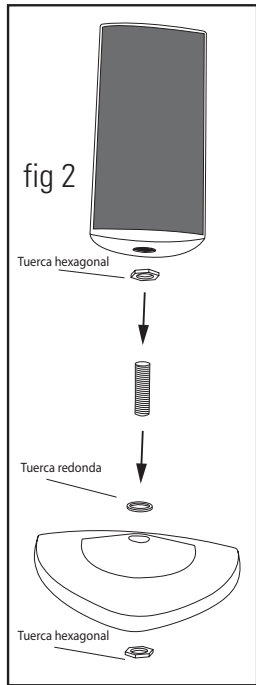
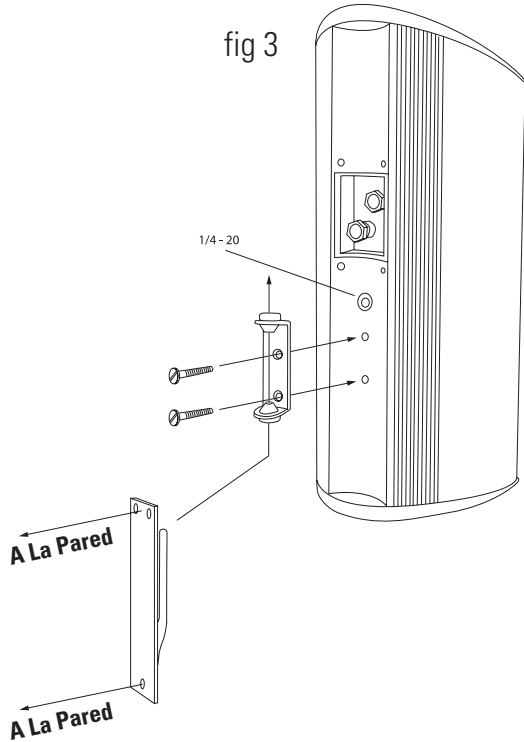


fig 3



NO SALE SONIDO DE LOS ALTAVOCES FRONTALES:

- Asegúrese de que los interruptores del receptor y del subwoofer estén en la posición ON (activado).
- Inspeccione el ajuste del control del volumen del receptor – Si está completamente abajo, no habrá ningún sonido.
- Asegúrese de que el selector de entrada del receptor esté conectado a una fuente de señales de audio activa y de que un monitor de reproducción de cinta no esté activado.
- Asegúrese de que el interruptor de selección de los altavoces en el receptor esté encendido en los terminales [A o B, 1 ó 2] que están conectados los altavoces frontales. Si el receptor tiene un enchufe para audífonos, usted puede usar los audífonos para investigar si hay salida del receptor.

ATENCIÓN: PRECAUCIONES IMPORTANTES DE SEGURIDAD:

Por favor lea estas instrucciones antes de intentar la operación de su sistema de sonido envolvente AR. Asegúrese de guardar este manual para consultarlo más adelante. Además, guarde el recibo de la compra para obtener el servicio garantizado.

LIMPIEZA:

No use detergentes líquidos ni de aerosol. Use un paño húmedo para la limpieza.

ACOPLAMIENTOS:

No use acoplamiento que no estén recomendados por AR y que podrían causar peligros.

AGUA Y HUMEDAD:

No use el sistema de sonido envolvente de AR cerca de agua- por ejemplo, cerca de una bañera, palangana, fregadero, o balde; en un sótano mojado, cerca de una piscina o en localidades similares.

CALOR:

El sistema de sonido envolvente de AR debe situarse lejos de fuentes de calor así como radiadores, registros de calor, estufas, u otros productos (incluyendo amplificadores) que producen calor.

ACCESORIOS:

No coloque el sistema de sonido envolvente de AR en una carreta, plataforma, trípode, soporte o mesa inestable. El producto puede caer, causando serios daños a niños o adultos, como también al producto. Use solamente con una carreta, plataforma, trípode, soporte o mesa recomendados por AR o vendidos con el sistema de sonido envolvente AR. Cualquier montaje de los altavoces debe seguir las instrucciones de AR y deben usar un accesorio de montaje recomendado por AR.

ENTRADA DE LÍQUIDOS U OBJETOS:

Nunca inserte objetos de ninguna clase en las aberturas de este producto, ya que podrían tocar puntos de voltaje peligrosos o podrían hacer corto circuito, lo cual podría resultar en incendio o choque eléctrico. Nunca vierta líquido de ninguna clase en el sistema de sonido envolvente de AR.

ESPECIFICACIÓN:

Satélites:

Complemento del motor: Doble de 4” con un súper Tweeter de 30 mm
Respuesta de frecuencia: 100Hz-50kHz +/- 3 dB
Sensibilidad: 88 dB, 2.83V/1 metro
Impedancia nominal: 8 ohmios
Potencia recomendada para el amplificador: de 5 á 75 vatios
Acabado: Aluminio extruido
Dimensiones: 12.25”alto x 5.25”ancho x 4.375”fondo

Free Manuals Download Website

<http://myh66.com>

<http://usermanuals.us>

<http://www.somanuals.com>

<http://www.4manuals.cc>

<http://www.manual-lib.com>

<http://www.404manual.com>

<http://www.luxmanual.com>

<http://aubethermostatmanual.com>

Golf course search by state

<http://golfingnear.com>

Email search by domain

<http://emailbydomain.com>

Auto manuals search

<http://auto.somanuals.com>

TV manuals search

<http://tv.somanuals.com>