

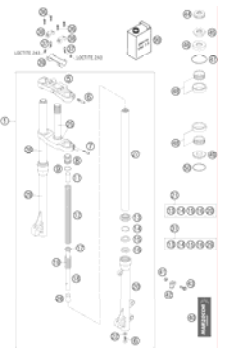
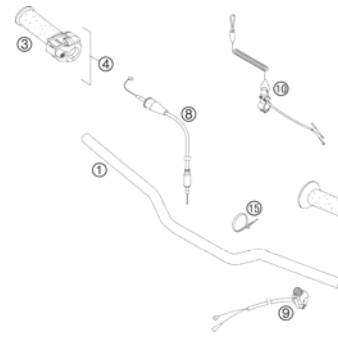
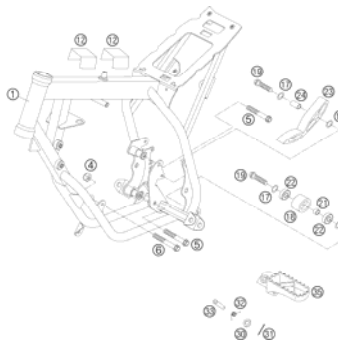
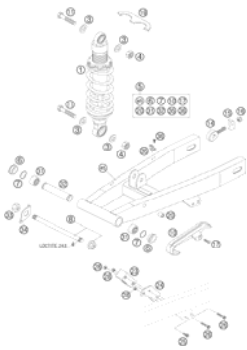
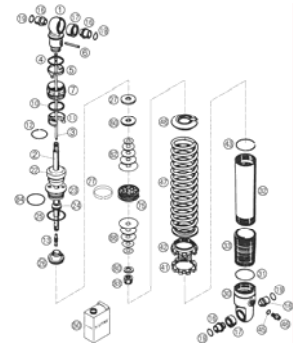

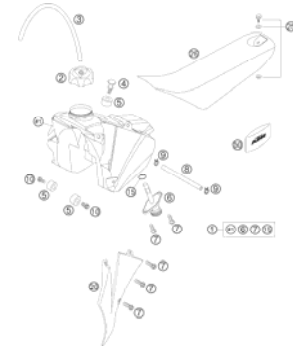
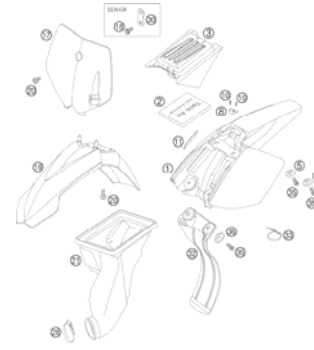

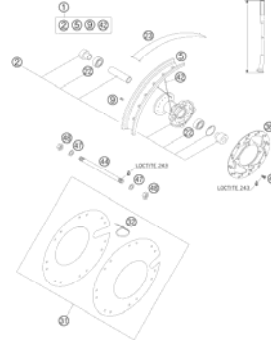
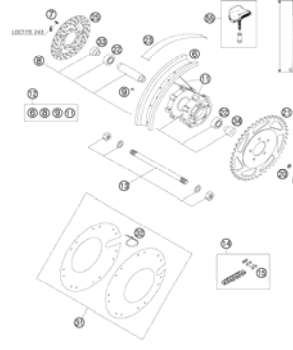
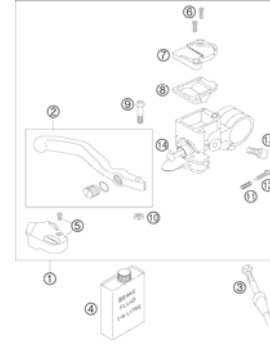
## SPARE PARTS MANUAL: CHASSIS

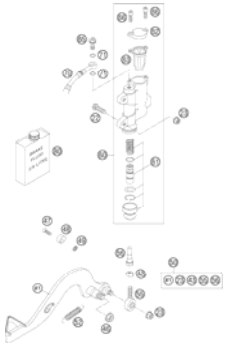
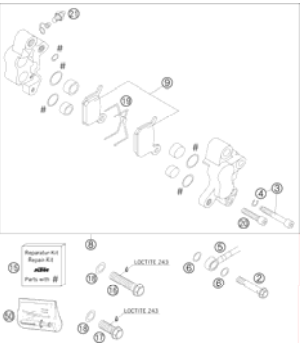
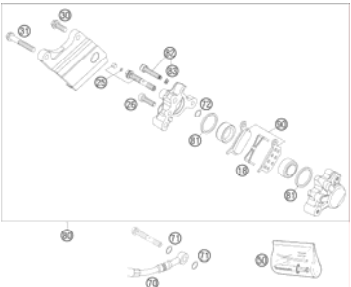

ART.NO.: 3CF6001F4EN

ENGLISH



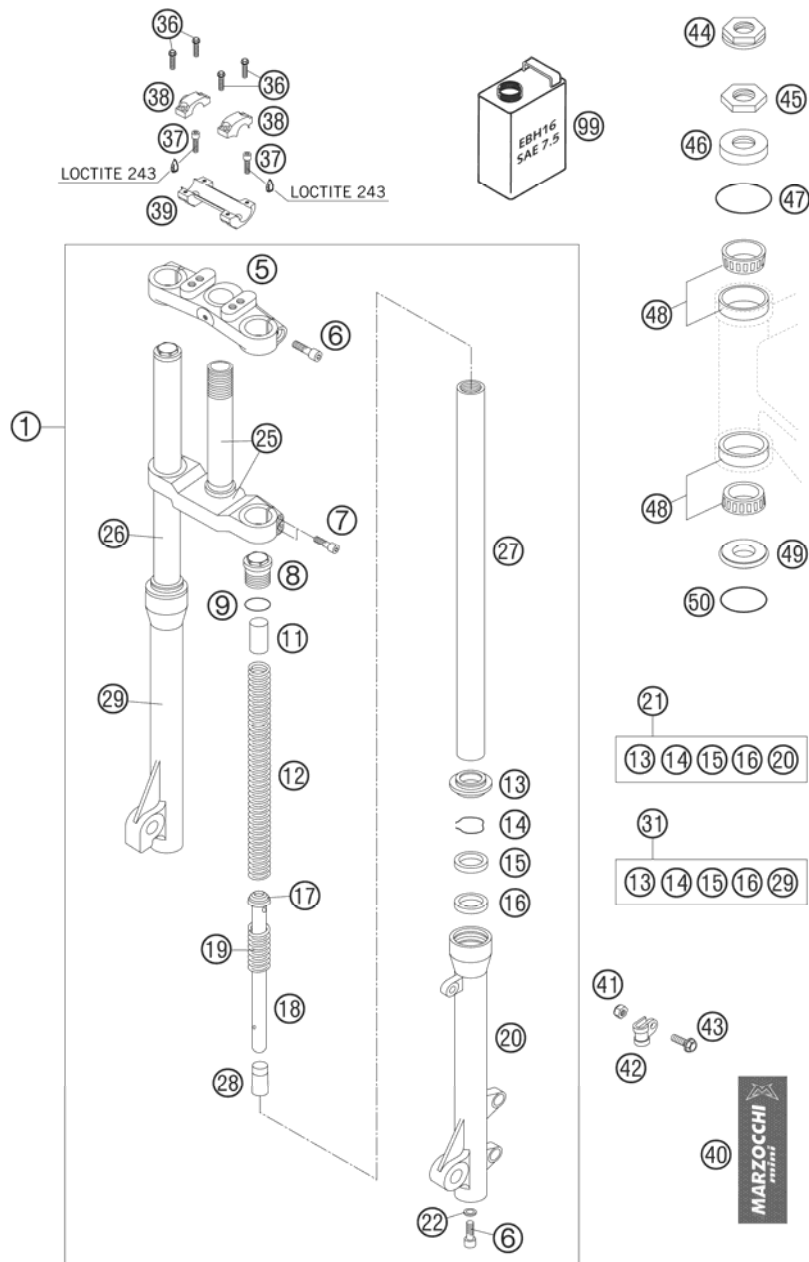


|  |  |  |  |
|--|--|--|--|
| <p><b>FRONT FORK</b></p>  <p><b>3</b></p>             | <p><b>HANDLEBAR, CONTROLS</b></p>  <p><b>5</b></p> | <p><b>FRAME</b></p>  <p><b>6</b></p>              | <p><b>SWINGARM, MONOSHOCK</b></p>  <p><b>7</b></p>    |
| <p><b>MONOSHOCK DISASSEMBLED</b></p>  <p><b>8</b></p> | <p><b>EXHAUST SYSTEM</b></p>  <p><b>10</b></p>      | <p><b>TANK, SEAT, COVER</b></p>  <p><b>11</b></p> | <p><b>MASK, FENDERS</b></p>  <p><b>12</b></p>         |
| <p><b>DECAL</b></p>  <p><b>13</b></p>               | <p><b>FRONT WHEEL</b></p>  <p><b>14</b></p>       | <p><b>REAR WHEEL</b></p>  <p><b>15</b></p>      | <p><b>HAND BRAKE CYLINDER</b></p>  <p><b>16</b></p> |

|   |   |   |  |
|---|---|---|--|
| <p><b>REAR BRAKE CONTROL</b></p>  <p><b>17</b></p> | <p><b>BRAKE CALIPER FRONT</b></p>  <p><b>18</b></p>   | <p><b>BRAKE CALIPER REAR</b></p>  <p><b>19</b></p> |  |
|   |   |   |  |
|   |  <p>All information contained is without obligation. KTM-Sportmotorcycle AG particularly reserves the right to modify any equipment, technical specifications, prices, colors, shapes, materials, services, service work, constructions, equipment and the like so as to adapt them to local conditions or to cancel any of the above items, all without previous announcement and without giving reasons. KTM may stop manufacturing certain models without previous notice. KTM shall not be held liable for any deviations of availability and/or ability to deliver, illustrations, descriptions, printing and/or other errors. The illustrated models partly contain extra equipment, which is not applied to standard models. © 2004 by KTM-SPORTMOTORCYCLE AG, Mattighofen AUSTRIA; All rights reserved; Reprint, also in extracts, with written allowance of KTM-SPORTMOTORCYCLE AG, Mattighofen only.</p> |   |  |

# FRONT FORK

50 SX 2006

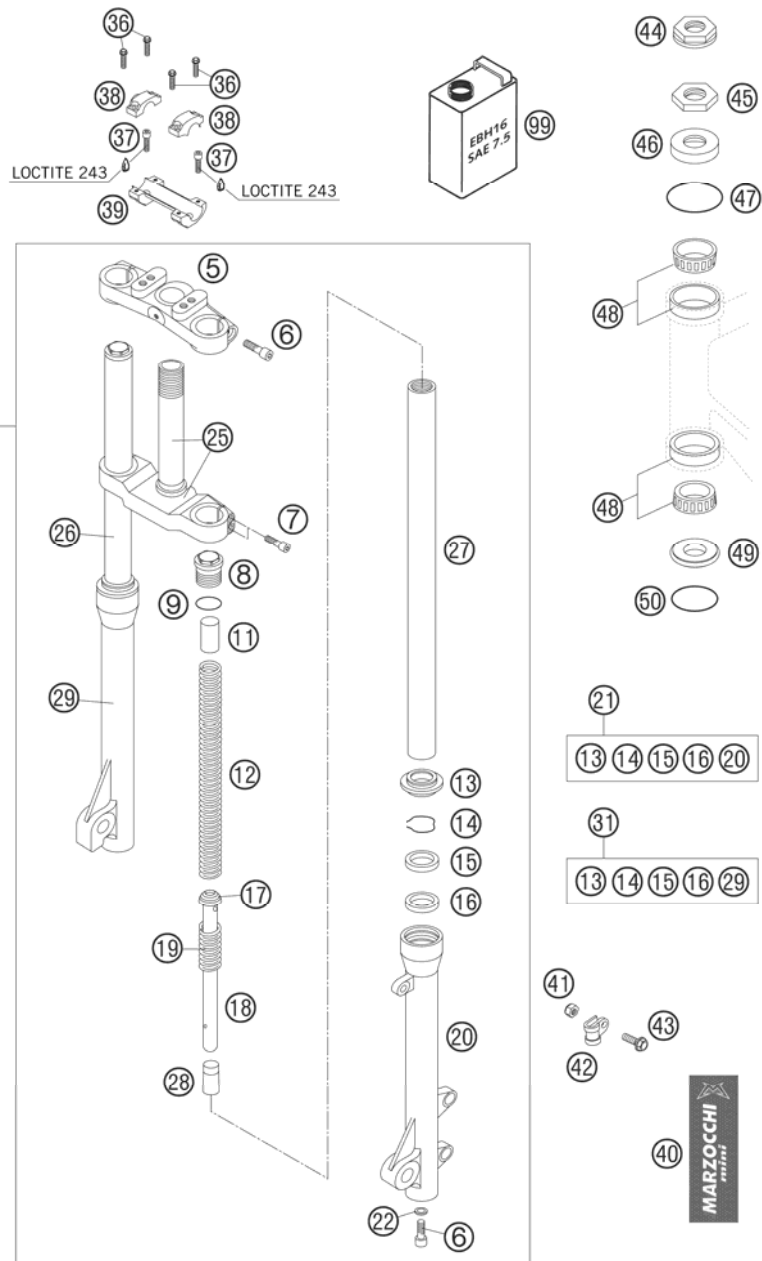


| FIG | PART NUMBER | DESCRIPTION   | QTY |
|-----|-------------|---|-----|
| 1   | 45101000644 | FORK CPL. SX SEN. MARZ. 2003                                | 1   |
| 5   | 7501498A    | TOP FORK PLATE 50 LC SEN. 03                                | 1   |
| 6   | 0912080303  | AH SCREW DIN0912-M 8X30                                     | 2   |
| 7   | 0912060253  | AH SCREW DIN0912-M 6X25                                     | 4   |
| 8   | 7504212AC   | PLUG CAP  | 2   |
| 9   | 7528010     | O-RING  | 2   |
| 11  | 7518076     | PRE LOAD BUSH 25X2,5X100                                    | 2   |
| 12  | 75141169    | SPRING 2N/MM  | 2   |
| 12  | 75141214    | SPRING 2,5N/MM  | x   |
| 13  | 7533297     | DUST SEAL   | 2   |
| 14  | 7523264     | STOP RING   | 2   |
| 15  | 7528230     | OIL SEAL 32/42/6,5-9,5                                      | 2   |
| 16  | 7522166AA   | WASHER D42X32,5X1,5   | 2   |
| 17  | 7524157     | PISTON RING D32   | 1   |
| 18  | 78031045    | ONLY FOR REBOUND DAMPING<br>PISTON ROD COMPRESSION SEN. 01  | 1   |
| 18  | 78031047    | COMPRESSION DAMP.- RIGHT SIDE<br>PISTON ROD REBOUND SEN. 01 | 1   |
| 19  | 75141015    | REBOUND DAMPING - LEFT SIDE<br>REBOUND SPRING               | 2   |
| 20  | 75031570A   | SLIDER L/S 50 LC 2002                                       | 1   |
| 21  | 75031570A/R | SLIDER CPL. L/S 50LC 2002                                   | 1   |
| 22  | 7522225     | WASHER 14X8X1,5   | 2   |
| 25  | 77051140    | BOT.FORK PLATE CPL. SEN. 03                                 | 1   |
| 26  | 7708249/R   | FORK TUBE R/S SENIOR 02                                     | 1   |
| 27  | 7708250/R   | FORK TUBE L/S SENIOR 02                                     | 1   |
| 28  | 7512068     | FOOT BUFFER   | 2   |
| 29  | 75031571A   | SLIDER R/S 50 LC 2002                                       | 1   |
| 31  | 75031571A/R | SLIDER CPL. R/S 50LC 2002                                   | 1   |
| 36  | 0015080303  | HH COLLAR SCREW M 8X30 WS=10                                | 4   |
| 37  | 0912100250  | AH SCREW DIN0912-M10X25,10,9,L                              | 2   |
| 38  | 50301038000 | HANDLEBAR CLAMP D=22MM 2001                                 | 2   |
| 39  | 45101039000 | HANDLEBAR SUPPORT D=22MM 2001                               | 1   |
| 40  | 7547325     | STICKER LEFT SIDE MARZOCCHI                                 | 1   |
| 40  | 7547331     | STICKER RIGHT SIDE MARZOCCHI                                | 1   |
| 41  | 0985050003  | SELF LOCKING NUT DIN0985-M 5                                | 1   |

05451011 / C064510101

\* NEW PART

X AS REQUIRED



| FIG | PART NUMBER | DESCRIPTION                   | QTY |
|-----|-------------|-------------------------------|-----|
| 42  | 45001070000 | BRAKE CABLE CLAMP RSGU 9/12   | 1   |
| 43  | 0015050203  | HH COLLAR SCREW M 5X20 WS=8   | 1   |
| 44  | 59030029000 | HH NUT M20X1,5 WS=27 RIGHT    | 1   |
| 45  | 46001043000 | STEERING HEAD NUT M20X1,5     | 1   |
| 46  | 49001086000 | COVERING CAP                  | 1   |
| 47  | 0770021300  | O-RING 40,94X2,62 NBR70       | 1   |
| 48  | 49001081000 | TAPERED ROLLER BEARING 32004X | 2   |
| 49  | 46001086000 | PROTECTION RING 20,1X39X5     | 1   |
| 50  | 0770360030  | O-RING 36,00X3,00 NBR         | 1   |
| 99  | 7550013     | FORKOIL EBH16 SAE 7.5         | 1   |

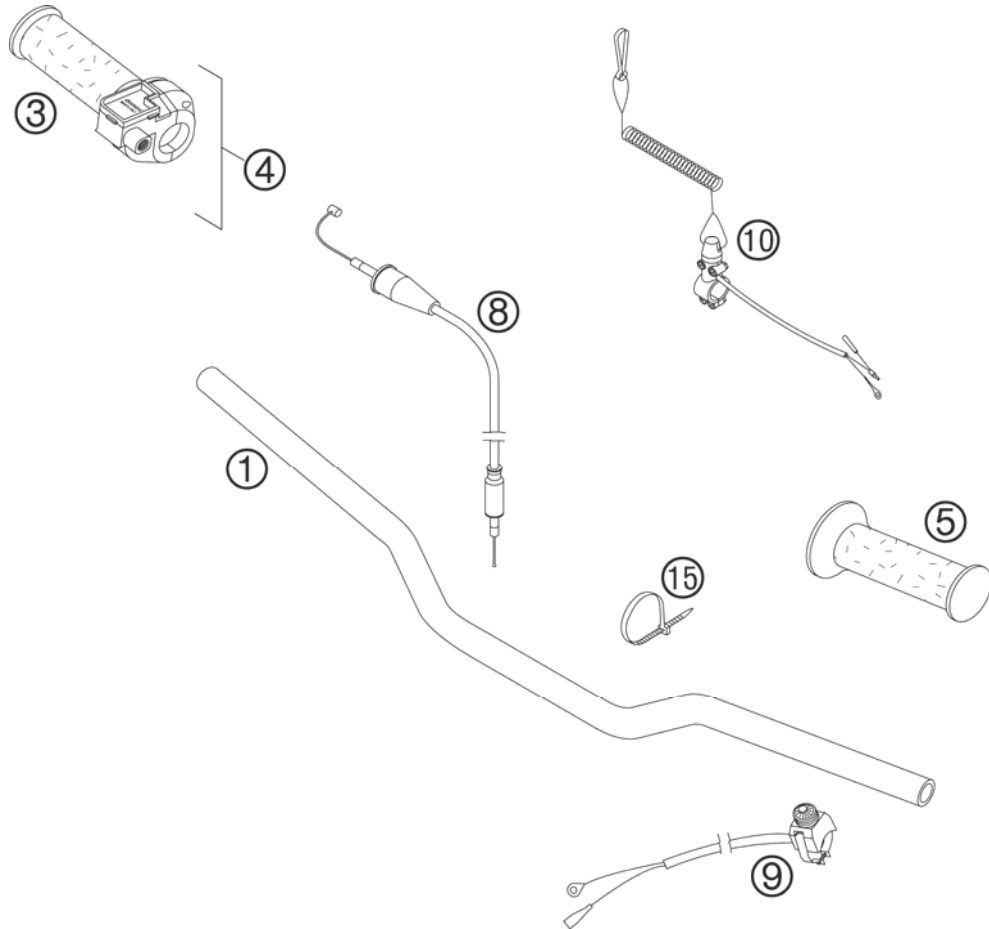
05451011 / C064510101

\* NEW PART

X AS REQUIRED

# HANDLEBAR, CONTROLS

50 SX 2006

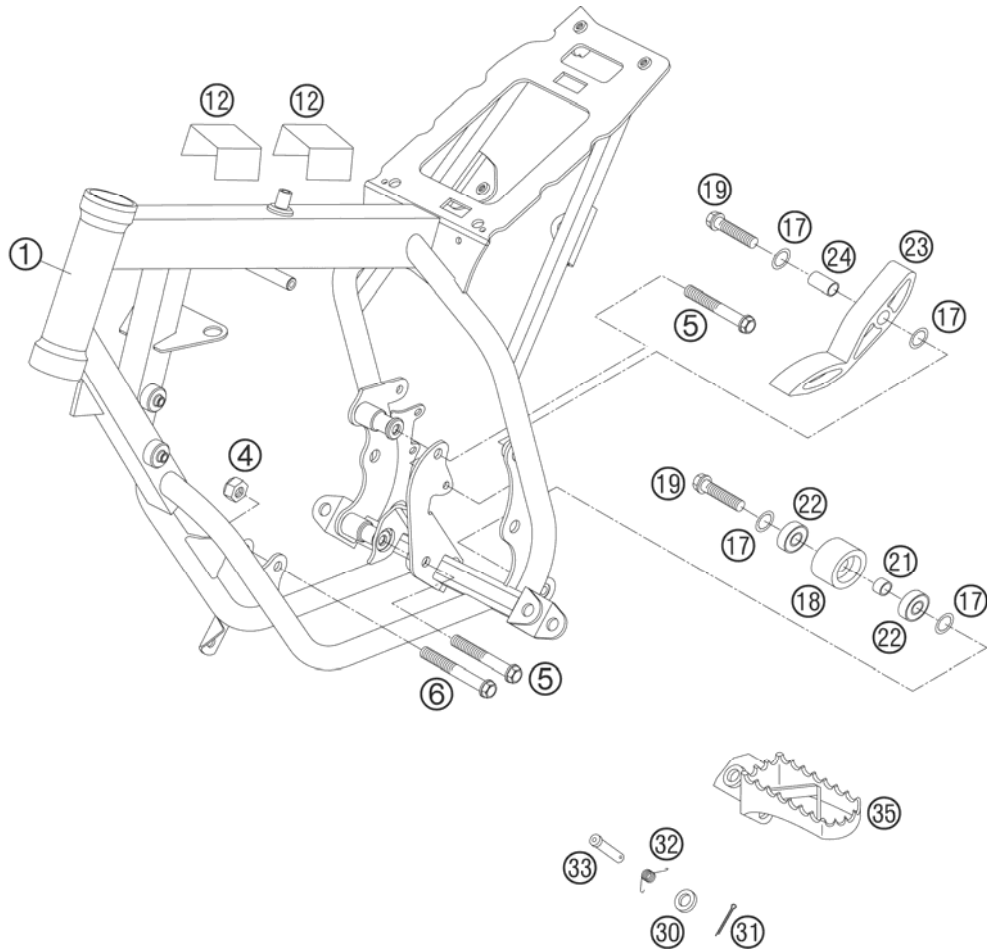


| FIG | PART NUMBER | DESCRIPTION                   | QTY |
|-----|-------------|-------------------------------|-----|
| 1   | 45102001000 | HANDLEBAR 50 AC+LC 2005       | 1   |
| 3*  | 45002003000 | TWIST GRIP COVER DOMINO       | 1   |
| 4   | 45002010000 | TWIST GRIP CPL. 50 SXR        | 1   |
| 5   | 45002039000 | RUBBER GRIP                   | 1   |
| 8   | 45102091000 | THROTTLE CABLE SEN.849/726 01 | 1   |
| 9   | 50311089200 | SHORT CIRCUIT BUTTON 02       | 1   |
| 10  | 45011089044 | S.CIRCUIT BUTTON W. RIP CORD  | x   |
| 15  | 44011076100 | CABLE TIE 100/2,5MM BLACK     | x   |
| 15  | 44011076200 | CABLE TIE 200/3,6MM BLACK     | x   |

064510200 / C064510201

\* NEW PART

X AS REQUIRED



| FIG | PART NUMBER   | DESCRIPTION                   | QTY |
|-----|---------------|-------------------------------|-----|
| 1   | 45103001600   | FRAME PRO SENIOR "MC4R" 2004  | 1   |
| 4   | 54310086200   | SELF LOCKING NUT M8 10.9      | 1   |
| 5   | 0015080603    | HH COLLAR SCREW M 8X60 WS=10  | 2   |
| 6   | 0015080653    | HH COLLAR SCREW M 8X65 WS=10  | 1   |
| 12  | 58711054050   | METAMOLL FOR BATTERY BRACKET  | 2   |
| 17  | 36003014000   | LOCK WASHER 8MM               | 4   |
| 18  | 50203053000   | CHAIN ROLL D=30MM             | 1   |
| 19  | 0015080303    | HH COLLAR SCREW M 8X30 WS=10  | 2   |
| 21  | 74003021000   | BUSHING 8.2 X 12 X 6          | 1   |
| 22  | 0625006087    | GROOVED BALL BEAR. 608 2RS C3 | 2   |
| 23  | 51103053000   | CHAIN SLIDING PIECE BELOW '97 | 1   |
| 24  | 51103053051   | BUSHING 8,2X10X20             | 1   |
| 30  | 0125100003    | WASHER DIN0125-A10,5          | 2   |
| 31  | 0094032253    | PIN DIN0094-3,2X25 STEEL      | 2   |
| 32  | 54603041000   | FOOTREST SPRING L/S & R/S     | 2   |
| 33  | 54803044000   | BOLT FOR FOOT PED 03          | 2   |
| 35  | 5460304000090 | FOOT REST L/S SILVER          | 1   |
| 35  | 5460314000090 | FOOT REST R/S SILVER '98      | 1   |

05451031 / C064510301

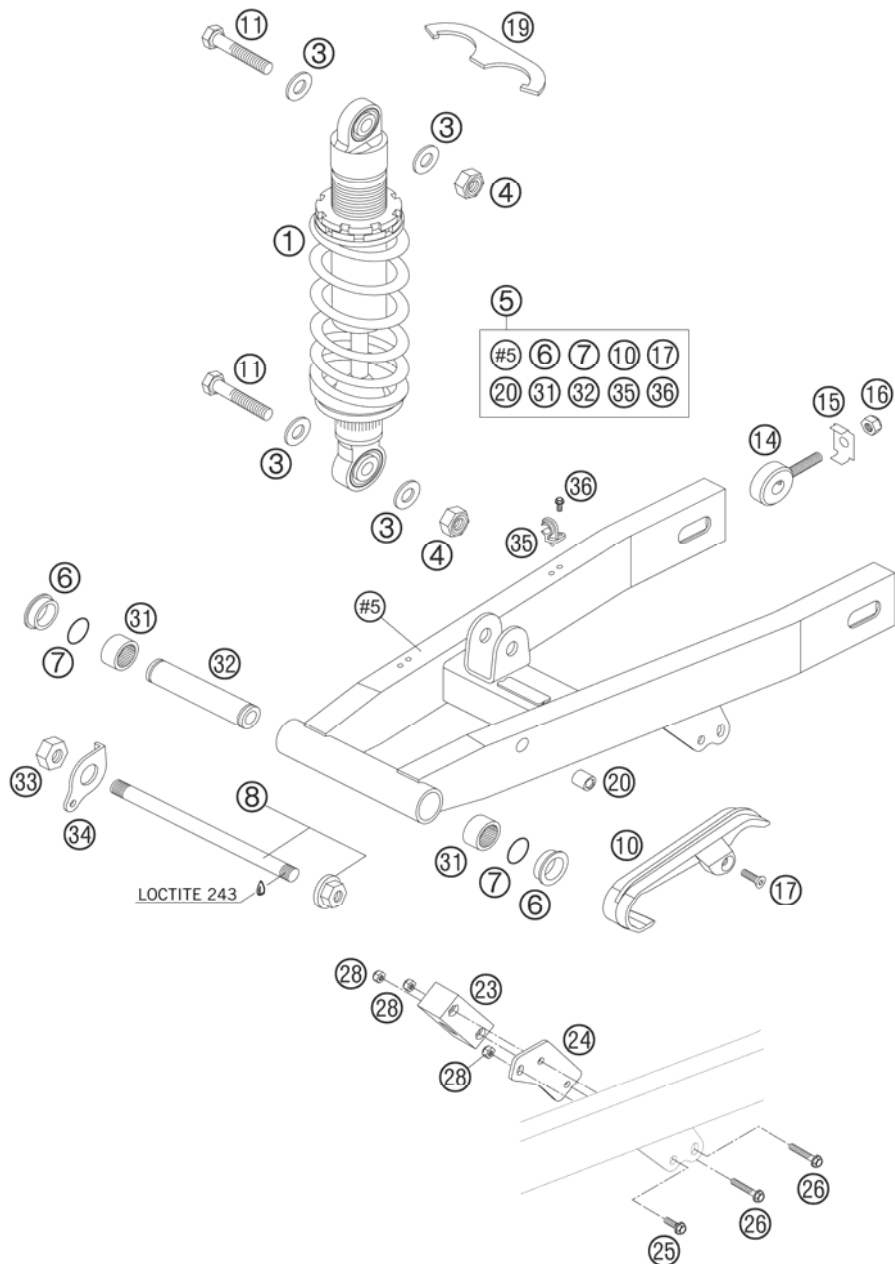
\* NEW PART

X AS REQUIRED



# SWINGARM, MONOSHOCK

50 SX 2006



| FIG | PART NUMBER | DESCRIPTION                    | QTY |
|-----|-------------|--------------------------------|-----|
| 1*  | 03189B02    | MONOSHOCK 50 SX 2006           | 1   |
| 3   | 0125100003  | WASHER DIN0125-A10,5           | 4   |
| 4   | 0982100003  | SELF LOCK.NUT DIN0982-M10 HIGH | 2   |
| 5   | 45104030444 | SWINGARM CPL. SEN 2004         | 1   |
| 6   | 46004030070 | SPACER BUSHING 20X26X30X9,7    | 2   |
| 7   | 0770160021  | O-RING 16,00X2,00 VITON        | 2   |
| 8   | 45103014144 | SWING ARM BOLT CPL. 2004       | 1   |
| 10  | 45104066000 | CHAIN SLID. GUARD FRO. MINI 02 | 1   |
| 11  | 0931100453  | HH SCREW DIN0931-M10X45        | 2   |
| 14  | 45010083000 | CHAIN ADJUSTER                 | 2   |
| 15  | 45010083060 | SUPPORTING BRACKET             | 2   |
| 16  | 0985080003  | SELF LOCKING NUT DIN0985-M 8   | 2   |
| 17  | 0991060203  | FLAT H.SCREW DIN7991-M6X20 8.8 | 1   |
| 19  | 45004010090 | HOOK WRENCH 50 SXR             | 1   |
| 20  | 55003139900 | BLIND RIVET THREAD M6 STE. 4MM | 1   |
| 23  | 45004070000 | CHAIN GUIDE REAR               | 1   |
| 24  | 45104170000 | BRACKET FOR CHAIN GUARD 02     | 1   |
| 25* | 0015050123  | HH COLLAR SCREW M 5X12 WS=8    | 1   |
| 26  | 0015050303  | HH COLLAR SCREW M 5X30 WS=8    | 2   |
| 28  | 0985050003  | SELF LOCKING NUT DIN0985-M 5   | 3   |
| 31  | 54603097000 | NEEDLE BUSH HK 2016            | 2   |
| 32  | 45104032000 | BEARING SLEEVE                 | 1   |
| 33  | 0934120103  | HEXAGON NUT DIN0934-M12X1      | 1   |
| 34  | 45113053000 | BRACKET FOR SPRING             | 1   |
| 35  | 54611076100 | RETAIN.CLAMP FOR BRAKE HOSE'96 | 2   |
| 36* | 0015050123  | HH COLLAR SCREW M 5X12 WS=8    | 2   |

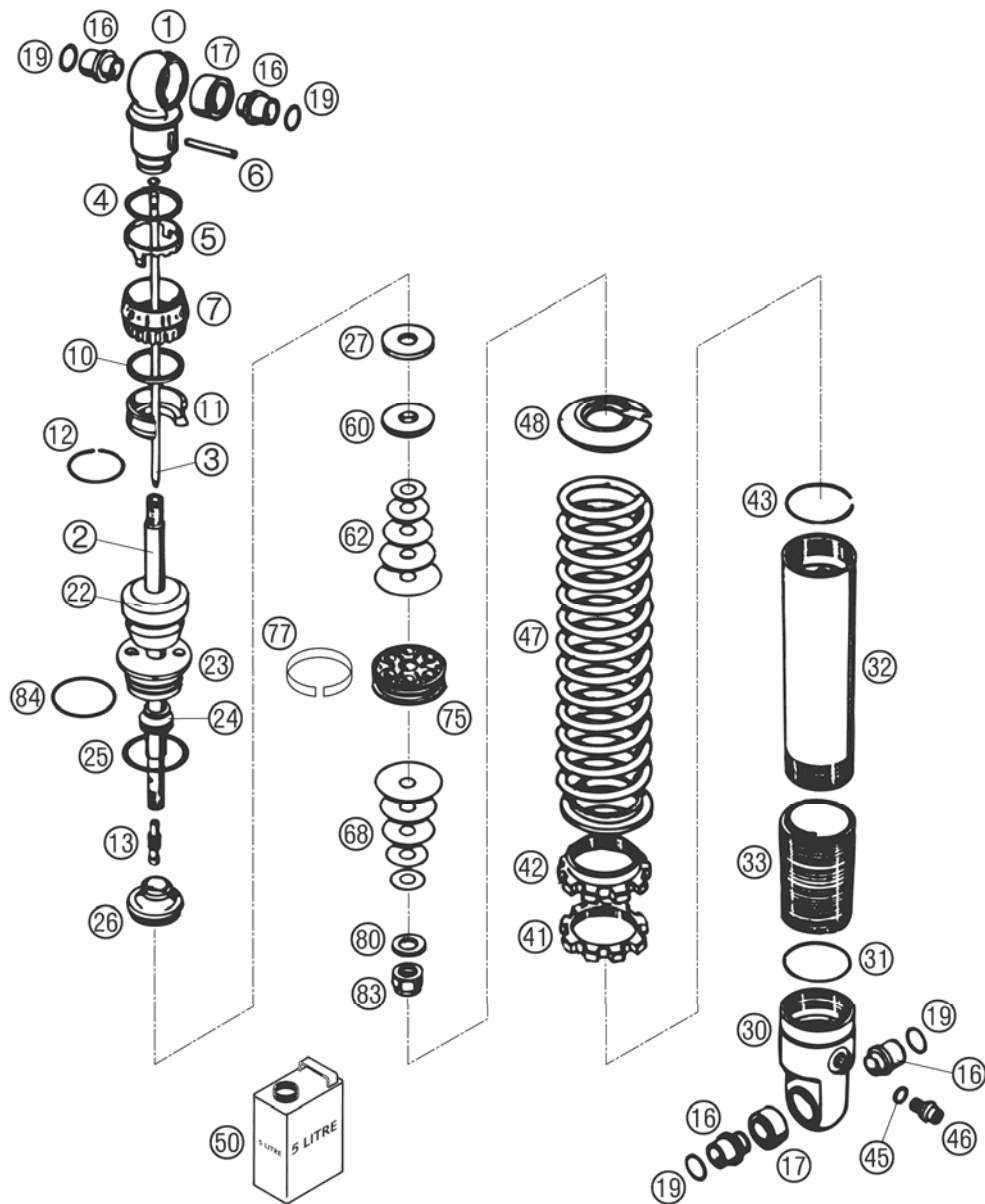
064510401 / C064510401

\* NEW PART

X AS REQUIRED

# MONOSHOCK DISASSEMBLED

50 SX 2006



| FIG | PART NUMBER | DESCRIPTION                    | QTY |
|-----|-------------|--------------------------------|-----|
| 1   | 46811525    | SHOCK ABS. BOTTOM L=46         | 1   |
| 2   | 36120576    | PISTON ROD D=14, L=96          | 1   |
| 3   | 46811391S   | NEEDLE CPL. D=4, L=112         | 1   |
| 4   | 46811222    | O-RING 36X0,5                  | 1   |
| 5   | 46811263    | WASHER                         | 1   |
| 6   | 46811261    | PIN 4X35                       | 1   |
| 7   | 46811262    | ADJ. KNOB D=41                 | 1   |
| 10  | 46811221    | O-RING 35X3                    | 1   |
| 11  | 46811367    | INTERMEDIATO RING H=4          | 1   |
| 12  | 46811268    | CIRCLIP 22X1,2                 | 1   |
| 13  | 46811259    | NEEDLE SEAT 5X17,25            | 1   |
| 16  | 46811077    | ADAPTOR BUSH KGW 10X22         | 4   |
| 17  | 46811027    | BUSHING KGW 1525               | 2   |
| 19  | 46811050    | SEAL KGW                       | 4   |
| 22  | 36120427    | BUMP RUBBER WP65 L=20          | 1   |
| 23  | 36120651    | SCREW CAP M37,65               | 1   |
| 24  | 46811044    | DUST SEAL 1424                 | 1   |
| 25  | 36120064    | O-RING NBR 29,74X3,53          | 1   |
| 26  | 36120522S1  | ADAPTER CPL. D=36 H=20,5       | 1   |
| 27  | 36120469    | SHIM 28,5X14X2                 | 1   |
| 30  | 36120551    | SHOCK ABSORBER CASE KGW H=38   | 1   |
| 31* | 0770380020  | O-RING 38,00X2,00 NBR 70 SH    | 1   |
| 32  | 36120096    | TUBE L=122                     | 1   |
| 33  | 36120019    | THREADED BUSH L=70 BLACK       | 1   |
| 41  | 36120015    | COUNTERNUT                     | 1   |
| 42  | 36120418    | ADJUSTING NUT                  | 1   |
| 43  | 40540015    | CIRCLIP 38X1,5                 | 1   |
| 45  | 46810893    | O-RING NBR 5,28X1,78           | 1   |
| 46  | 36120151    | SCREW PLUG M5X6                | 1   |
| 47  | 93010168    | SPRING (46,5) 45-130 D=7,75    | 1   |
| 47  | 93010169    | SPRING (46,5) 50-130 D=8,0     | x   |
| 48  | 36120386    | SPRING RET. H=3, D=14,5        | 1   |
| 50  | 50180342S1  | SHOCK ABSORBER FLUID 5 LT 2003 | 1   |
| 60  | 36120557    | REBOUND BUSH H=5,6             | 1   |
| 62  | 36120338    | SHIM 10X29X0,20                | 1   |
| 62  | 36120339    | SHIM 10X31X0,20                | 1   |

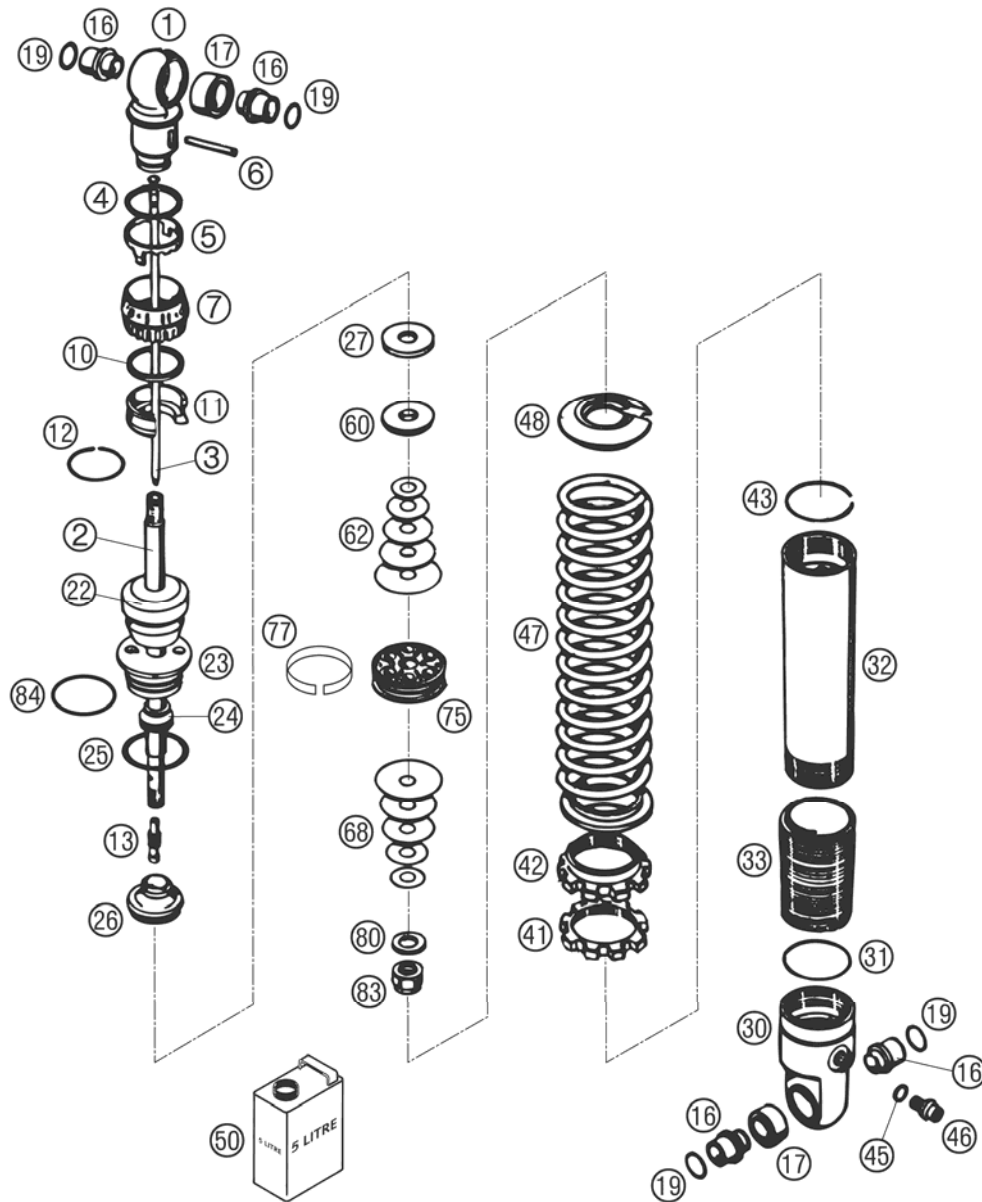
05451043 / C064510403

\* NEW PART

X AS REQUIRED

# MONOSHOCK DISASSEMBLED

50 SX 2006



| FIG | PART NUMBER | DESCRIPTION                          | QTY |
|-----|-------------|--------------------------------------|-----|
|     | 62          | 36120298 SHIM 10X16X0,2              | 1   |
|     | 62          | 36120340 SHIM 10X33X0,20             | 1   |
|     | 62          | 36120343 SHIM 10X23X0,25             | 1   |
|     | 62          | 36120344 SHIM 10X25X0,25             | 1   |
|     | 62          | 36120345 SHIM 10X27X0,25             | 1   |
|     | 62          | 36120350 SHIM 10X21X0,30             | 1   |
|     | 68          | 36120312 SHIM 10X16X0,30             | 1   |
|     | 68          | 36120327 SHIM 10X23X0,15             | 1   |
|     | 68          | 36120328 SHIM 10X25X0,15             | 1   |
|     | 68          | 36120334 SHIM 10X21X0,20             | 1   |
|     | 68          | 36120336 SHIM 10X25X0,20             | 3   |
|     | 68          | 36120655 PRESSURE-RING 27X23,25X0,30 | 1   |
|     | 75          | 36120624 PISTON 6+6X5,5/3,5          | 1   |
|     | 77          | 36120040 PISTON RING 8X1X108,3       | 1   |
|     | 80          | 36120604 SHIM D10XD22X2,5            | 1   |
|     | 83          | 36120605S PISTON ROD NUT CPL. H=15,2 | 1   |
|     | 84          | 46811500 O-RING NBR 32X1,5           | 1   |

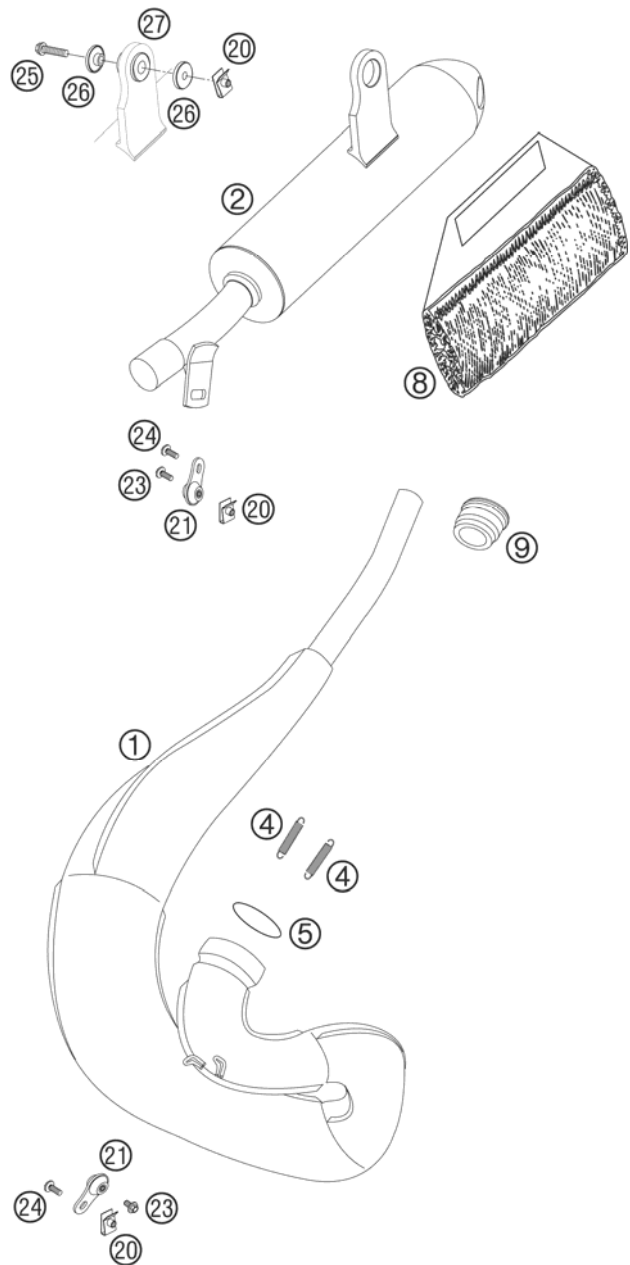
05451043 / C064510403

\* NEW PART

X AS REQUIRED

# EXHAUST SYSTEM

50 SX 2006



| FIG | PART NUMBER | DESCRIPTION   | QTY |
|-----|-------------|---|-----|
| 1   | 45105007000 | EXHAUST PIPE SX JUN/SEN 2001                        | 1   |
| 2*  | 45105079200 | EXHAUST 50 SX 2006                                  | 1   |
| 4   | 50305016000 | TEN.SPRING L=62MM EY.MOVEABLE                       | 2   |
| 5   | 0770320030  | O-RING 32,00X3,00 VITON                             | 1   |
| 8   | 45105079056 | ROCKWOOL PREFOMED 50 2002<br>110 GRAMM TOTAL WEIGHT | 1   |
| 9   | 45105057000 | EXHAUST RUBBER MINI 2002                            | 1   |
| 20  | 54603048100 | RANGE CHANGE METAL NUT M6                           | 3   |
| 21  | 50305012000 | SWINGELEMENT FOR EXHAUST PIPE                       | 2   |
| 23  | 0015060123  | HH COLLAR SCREW M 6X12 WS=8                         | 2   |
| 24  | 0014060153  | HH COLLAR SCREW M 6X15 WS=8                         | 2   |
| 25  | 0015060303  | HH COLLAR SCREW M 6X30 WS=8                         | 1   |
| 26  | 54605069000 | BUSHING 7,5X12X28X7,8 '96                           | 2   |
| 27  | 54605068000 | EXHAUST BRACKET RUBBER BLACK                        | 1   |

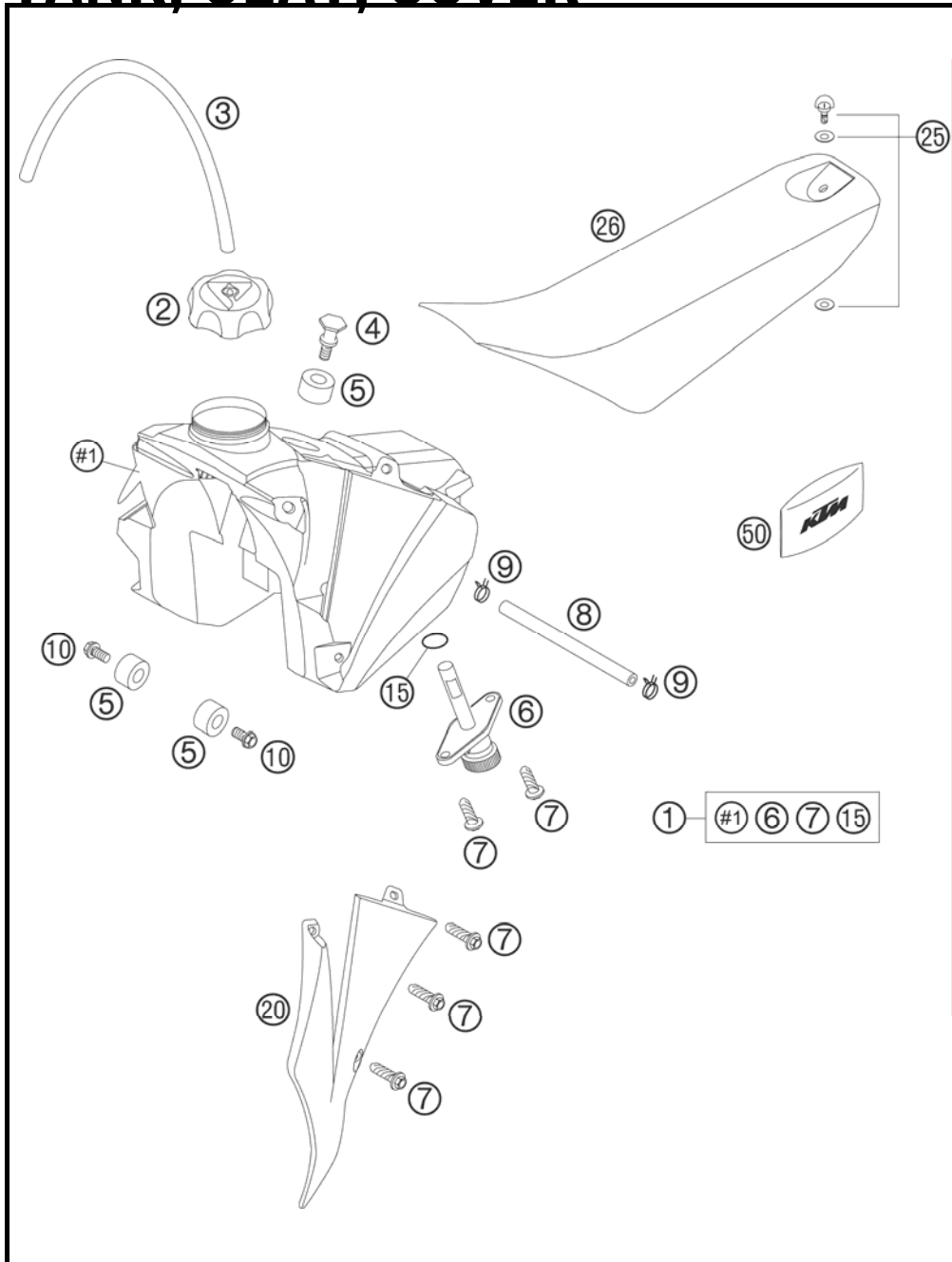
05451050 / C064510501

\* NEW PART

X AS REQUIRED

# TANK, SEAT, COVER

50 SX 2006

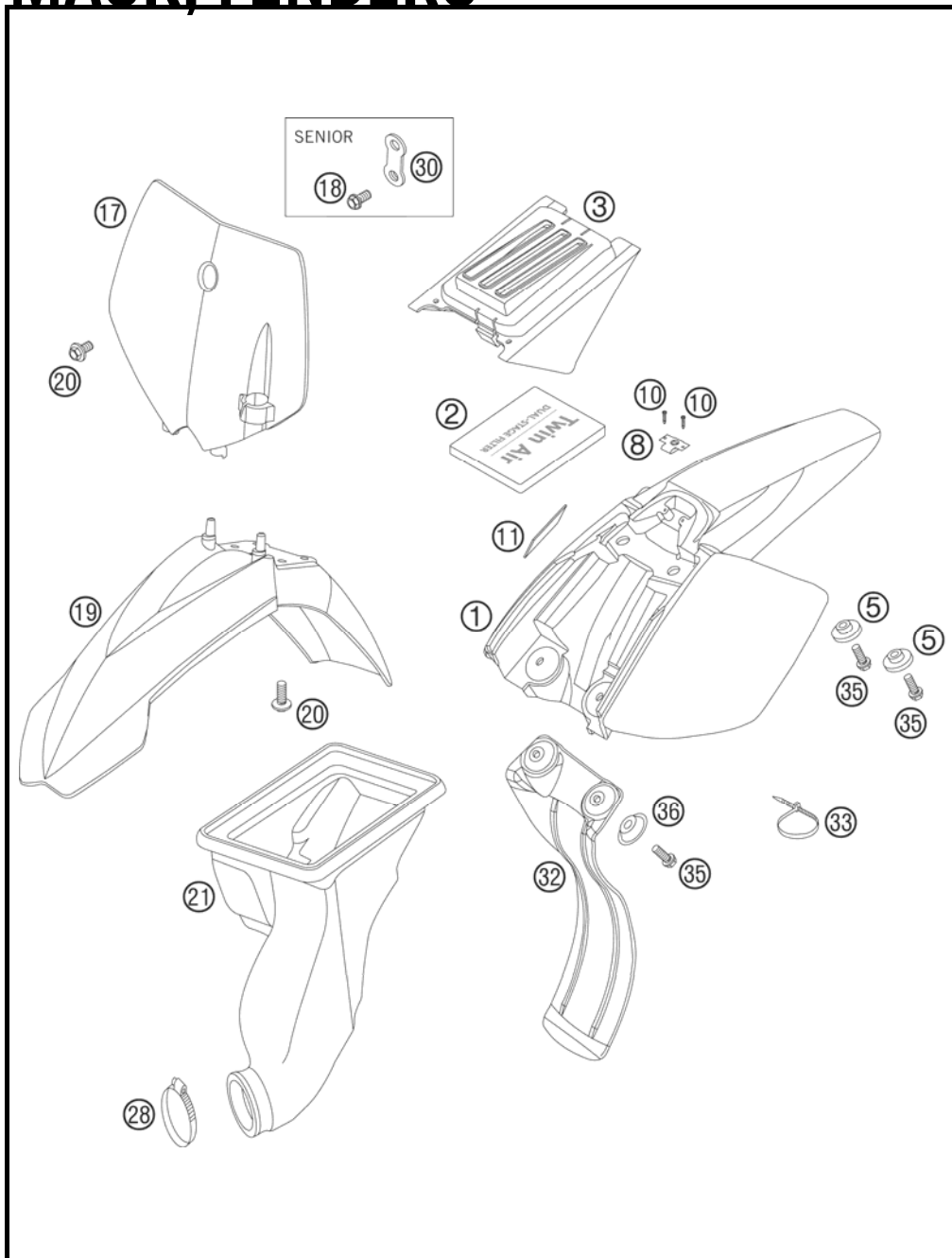


| FIG | PART NUMBER   | DESCRIPTION                    | QTY |
|-----|---------------|--------------------------------|-----|
| 1   | 4510701300004 | FUEL TANK SX JUN/SEN "LC" 03   | 1   |
| 2   | 49007008044   | FILLER CAP CPL. SMALL          | 1   |
| 3   | 31007107001   | PVC-HOSE 6X9 MM PER METER      | x   |
| 4   | 45107011000   | TANK SCREW MINI 50 2001        | 1   |
| 5   | 50307014000   | TANK ROLLER 12X26X12 '98       | 3   |
| 6   | 58507003000   | FUEL COCK CPL. SMALL RALLYE'96 | 1   |
| 7   | 0017060203    | EJOT PT SCREW K60X20 WS=6      | 8   |
| 8   | 58307016001   | FUEL HOSE VITON 6X1,5 PER/M    | x   |
| 9   | 45031005000   | YDNAC-CLAMP FUEL HOSE (8MM)    | 2   |
| 10  | 0015060123    | HH COLLAR SCREW M 6X12 WS=8    | 2   |
| 15  | 55007006200   | O-RING 11X1,8 NBR 70           | 1   |
| 20  | 4510805000004 | SPOILER LEFT SX JUN/SEN 2001   | 1   |
| 20  | 4510805100004 | SPOILER RIGHT SX JUN/SEN 2001  | 1   |
| 25  | 45007040051   | QUICK RELEASE CPL. 50 SXR '97  | 1   |
| 26  | 45107040500   | SEAT 50 AC+LC 2005             | 1   |
| 50  | 45029099000   | TOOL SET 50 MINI, 60/65 SX     | 1   |

05451070 / C064510700

\* NEW PART

X AS REQUIRED



| FIG | PART NUMBER   | DESCRIPTION                    | QTY |
|-----|---------------|--------------------------------|-----|
| 1   | 4510801300004 | REAR PART 50 MINI ORANGE 2003  | 1   |
| 2   | 45106015000   | AIR FILTER 134X96X15MM 01      | 1   |
| 3   | 45106012000   | FILTER COVER JUN/SEN 2001      | 1   |
| 5   | 45108013050   | BUSH F.REAR P. SX JUN/SEN 2001 | 2   |
| 8   | 45007040050   | QUICK RELEASE LATCHPLATE       | 1   |
| 10  | 0981350163    | SHEET MET.SCR.DIN7981- 3,5X16  | 2   |
| 11  | 59003001099   | METAMOLL 90X45X3MM 03          | 1   |
| 17  | 4510800700004 | NUMBER PLATE SX JUN/SEN 2001   | 1   |
| 18  | 0015060103    | HH COLLAR SCREW M 6X10 WS=8    | 1   |
| 19  | 4510801000004 | FENDER FRONT SX JUN/SEN 2001   | 1   |
| 20  | 0014060103    | HH COLLAR SCREW M 6X10 WS=8    | 5   |
| 21  | 45106026100   | CARBUR.CONNEC.BOOT SXR SEN. 01 | 1   |
| 28  | 54305058000   | HOSE CLAMP 30-45 SGT           | 1   |
| 30  | 45108007050   | BRACKET FOR NUMBER PLATE       | 1   |
| 32  | 45106010100   | SPLASH PROTECTOR SENIOR 2001   | 1   |
| 33  | 44011076305   | CABLE TIE 300/4,8MM BLACK      | 2   |
| 35  | 0015060163    | HH COLLAR SCREW M 6X16 WS=8    | 4   |
| 36  | 72210079000   | BUCKET                         | 2   |

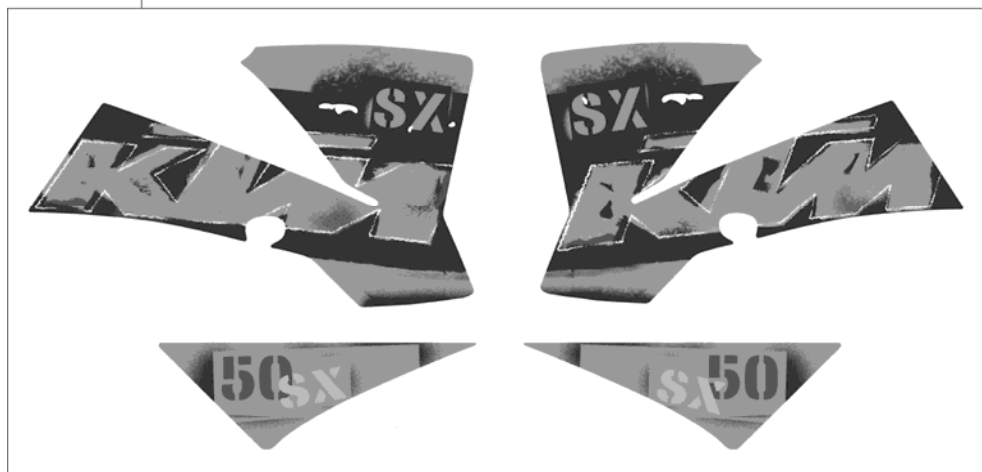
05450080 / C064510801

\* NEW PART

X AS REQUIRED

| FIG | PART NUMBER | DESCRIPTION           | QTY |
|-----|-------------|-----------------------|-----|
| 1*  | 45108299100 | DECAL CPL. 50 SX 2006 | 1   |

①



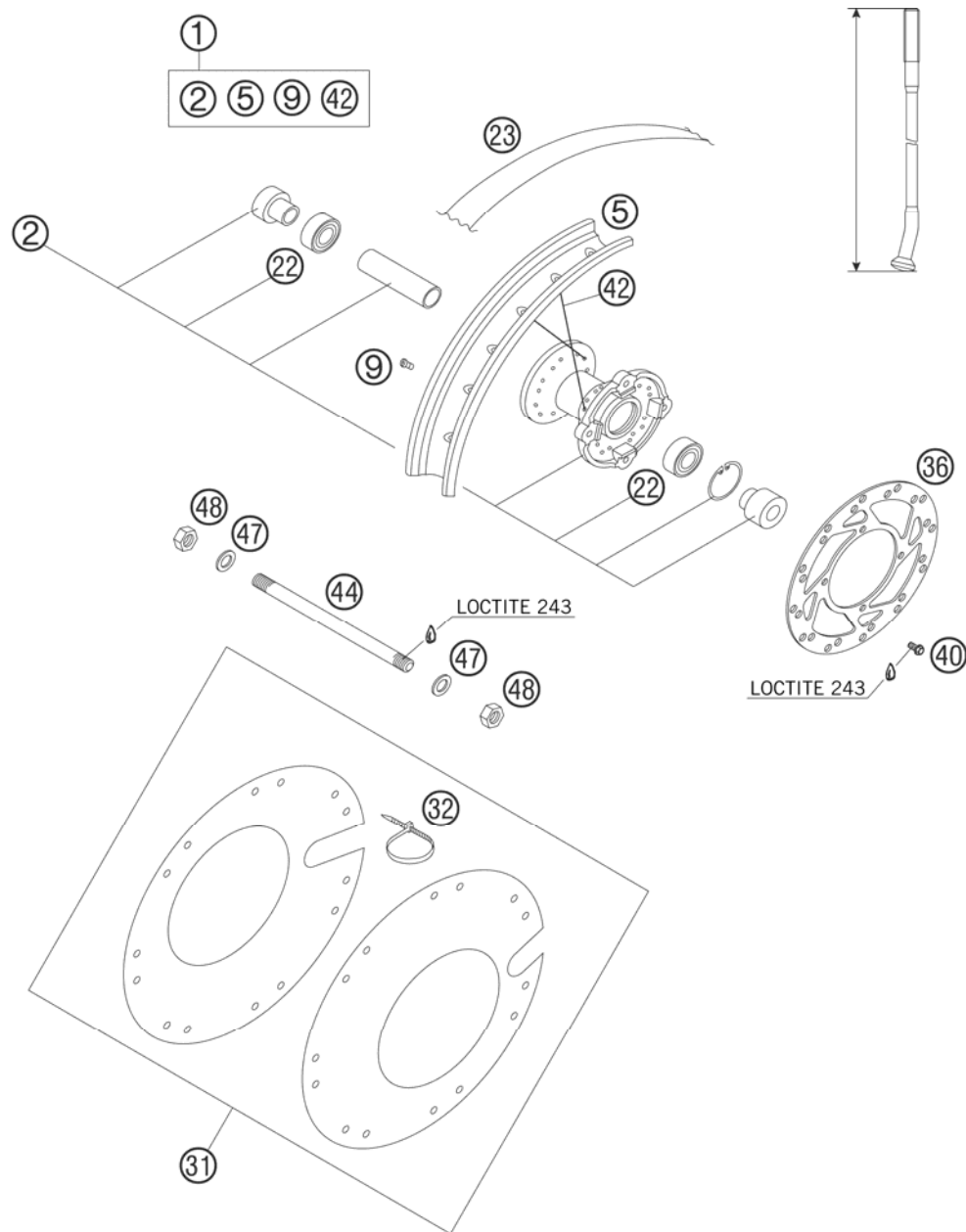
064510803 / C064510803

\* NEW PART

X AS REQUIRED

# FRONT WHEEL

50 SX 2006



| FIG | PART NUMBER | DESCRIPTION                    | QTY |
|-----|-------------|--------------------------------|-----|
| 1   | 45109001244 | FRONT WHEEL-SP CPL.1,5X12" ALU | 1   |
| 2   | 45109010044 | FRONT WHEEL HUB CPL. 2002      | 1   |
| 5   | 45109070000 | RIM FRONT 1,5X12" ALUMINIUM    | 1   |
| 9   | 45109072000 | SPOKE NIPPLE 3MM               | 28  |
| 22  | 0625062027  | BALL BEARING 6202 2RS1 C3      | 2   |
| 23  | 45109073100 | RIM BAND 12"                   | 1   |
| 31  | 45110092000 | WHEEL COVER CPL. 50SX LC 03    | 1   |
| 32  | 44011076305 | CABLE TIE 300/4,8MM BLACK      | 7   |
| 36  | 45109060000 | BRAKE DISC FRONT JUN/SEN 02    | 1   |
| 40  | 59009062013 | SPECIAL SCREW M6X13 WS=8 10.9  | 4   |
| 42  | 45109071129 | SPOKE 3X124X5MM-110° 02        | 28  |
| 44  | 46010085000 | AXLE 207MM M12X1               | 1   |
| 47  | 0125120003  | FLAT WASHER DIN0125-A13        | 2   |
| 48  | 0934120103  | HEXAGON NUT DIN0934-M12X1      | 2   |

05450091 / C064510901

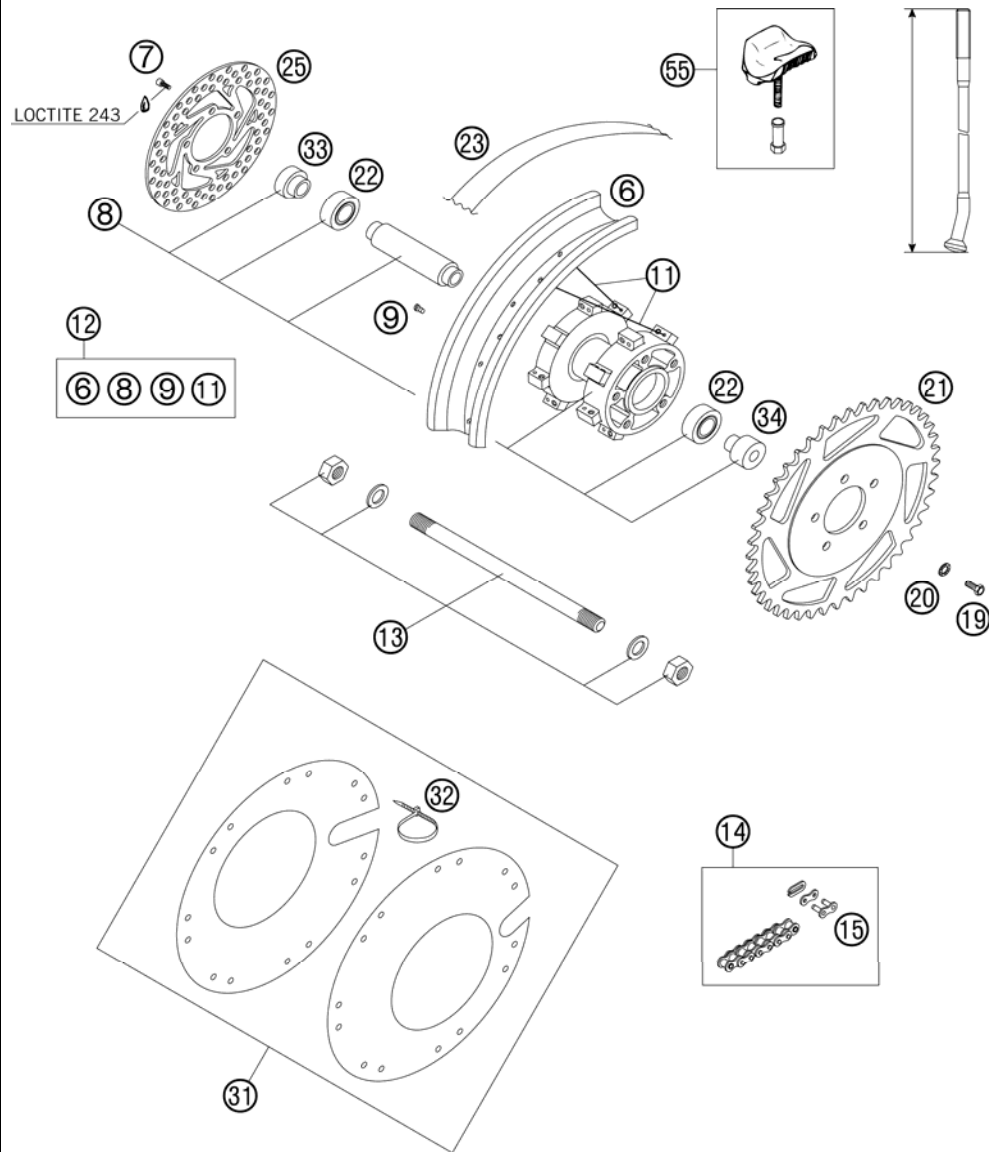
\* NEW PART

X AS REQUIRED



# REAR WHEEL

50 SX 2006



| FIG | PART NUMBER | DESCRIPTION                              | QTY |
|-----|-------------|--|-----|
| 6   | 45110070000 | RIM REAR 1,6X10" ALU                     | 1   |
| 7   | 59009062013 | SPECIAL SCREW M6X13 WS=8 10.9            | 5   |
| 8   | 45110010144 | REAR WHEEL HUB CPL. 2004                 | 1   |
| 9   | 45109072000 | SPOKE NIPPLE 3MM                         | 28  |
| 11  | 45110071110 | SPOKE 3X110X12 13° 2004                  | 28  |
| 12  | 45110001544 | REAR WHEEL-SP CPL. 1,60X10"ALU           | 1   |
| 13  | 45110081000 | AXLE REAR CPL. SEN."LC"                  | 1   |
| 14  | 45110265104 | CHAIN 1/2X3/16" WITH M.LINK<br>104 ROLLS | 1   |
| 15  | 45110266000 | CONNECTING LINK 50 SX                    | 1   |
| 19  | 0015070203  | HH COLLAR SCREW M 7X20 WS=11             | 5   |
| 20  | 45110052000 | SHIM                                     | 5   |
| 21  | 45110051042 | SPROCKET 42-T 2004                       | x   |
| 21  | 45110051043 | SPROCKET 43-T 2004                       | x   |
| 21  | 45110051044 | SPROCKET 44-T 2004                       | 1   |
| 21  | 45110051045 | SPROCKET 45-T 2004                       | x   |
| 21  | 45110051046 | SPROCKET 46-T 2004                       | x   |
| 22  | 0625062027  | BALL BEARING 6202 2RS1 C3                | 2   |
| 23  | 45009073000 | RIM BAND 10" 22MM                        | 1   |
| 25  | 45110060000 | BRAKE DISC REAR D=140MM 2004             | 1   |
| 31  | 45110092000 | WHEEL COVER CPL. 50SX LC 03              | 1   |
| 32  | 44011076305 | CABLE TIE 300/4,8MM BLACK                | 7   |
| 33  | 45110013000 | DISTANCE SLEEVE R/S                      | 1   |
| 34  | 45110014000 | DISTANCE SLEEVE L/S                      | 1   |
| 55  | 45110090000 | RIM LOCK CPL. 2004                       | 1   |

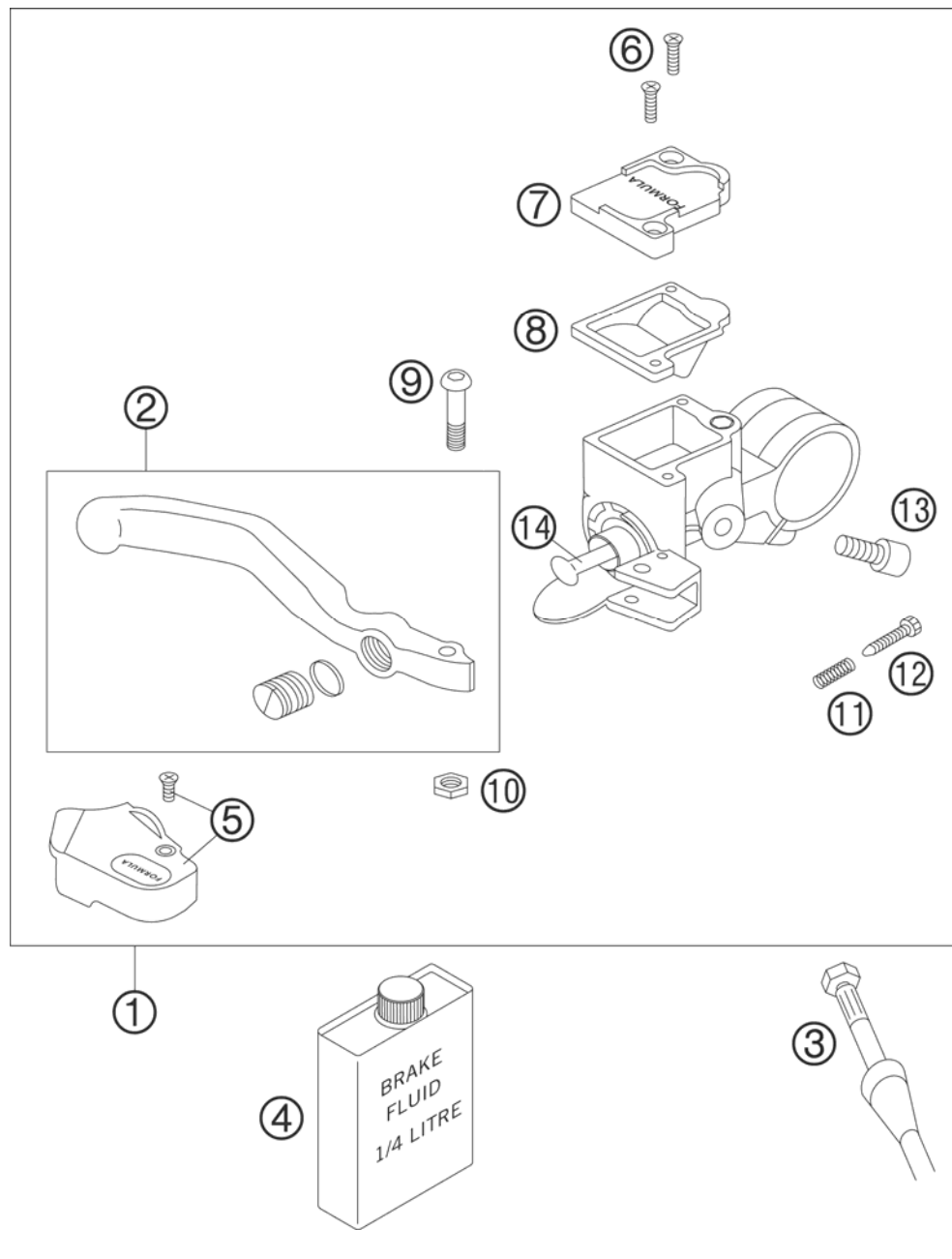
05451101 / C064511001

\* NEW PART

X AS REQUIRED

# HAND BRAKE CYLINDER

50 SX 2006



| FIG | PART NUMBER | DESCRIPTION                    | QTY |
|-----|-------------|--------------------------------|-----|
| 1   | 45113101044 | HAND BRAKE CYLIND.CPL.50 LC 02 | 1   |
| 2   | 45113002000 | HANDBRAKE LEVER CPL. R/S 02    | 1   |
| 3   | 45113012100 | BRAKE HOSE FR. SX SEN. LC 2002 | 1   |
| 4   | 306054      | BRAKE FLUID DOT 5.1            | 1   |
| 5   | 45113004000 | PROT.CAP HAND BRAKE CYL. 50 LC | 1   |
| 6   | 0966030083  | OVAL HEAD SCREW DIN0966-M 3X8  | 2   |
| 7   | 45113003000 | HAND BRAKE CYLINDER COVER 04   | 1   |
| 8   | 45113009000 | GASKET HAND BRAKE CYLINDER 04  | 1   |
| 9   | 45113006000 | SPECIAL-AH SCREW M 5X18        | 1   |
| 10  | 45113013000 | NUT M5 DIN 6334                | 1   |
| 11  | 45113021000 | SPRING FOR HAND BRAKE LEVER 04 | 1   |
| 12  | 45113007000 | ADJUSTING SCREW M 3X16 04      | 1   |
| 13  | 0912050103  | AH SCREW DIN0912-M 5X10        | 1   |
| 14  | 45113008000 | REP.KIT PISTON FRONT 50 04     | 1   |

05450130 / C064511301

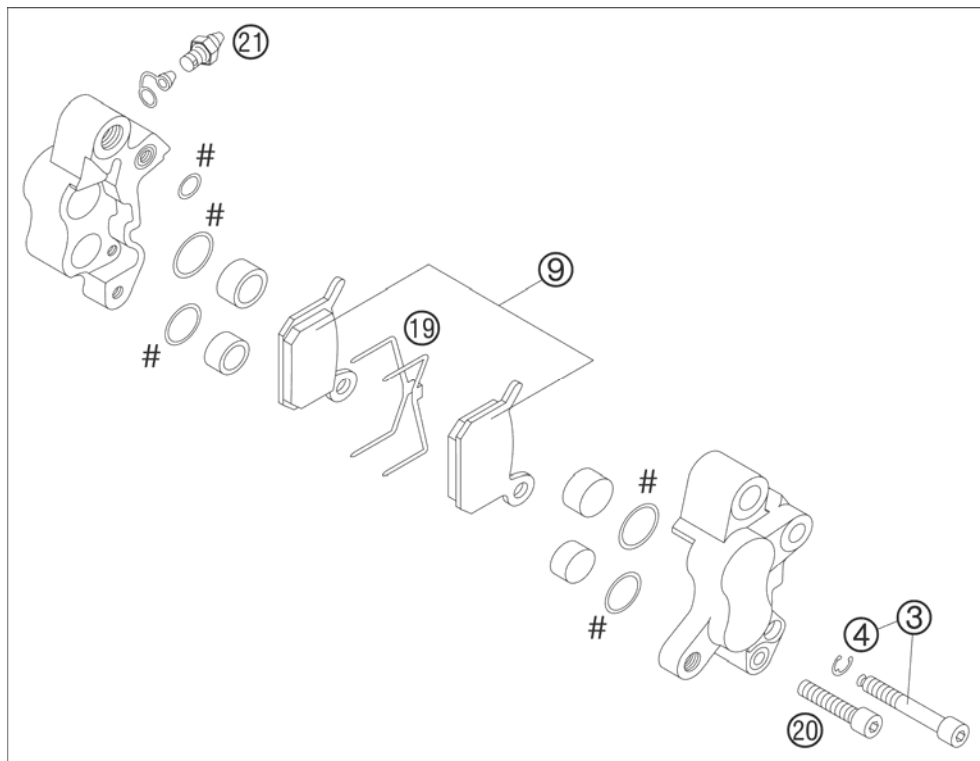
\* NEW PART

X AS REQUIRED

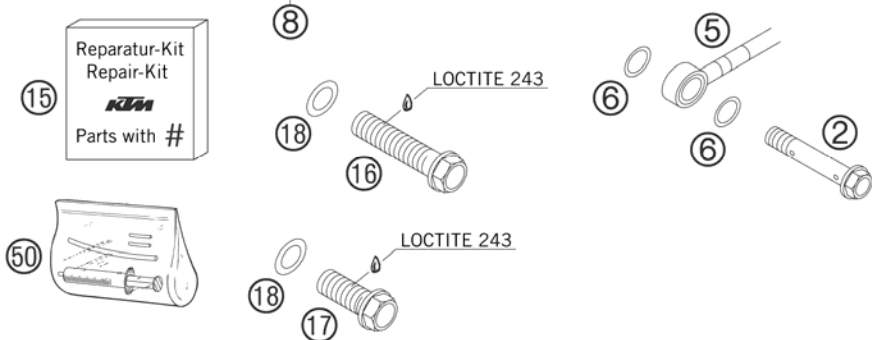


# BRAKE CALIPER FRONT

50 SX 2006



| FIG | PART NUMBER | DESCRIPTION                    | QTY |
|-----|-------------|--------------------------------|-----|
| 2   | 45113025000 | HOLLOW SCREW M6X34 50 LC 2002  | 1   |
| 3   | 45113125000 | AH SCREW+CIRCLIP LC 50 02      | 1   |
| 4   | 0799025000  | TAB WASHER DIN6799 RS2,5       | 1   |
| 5   | 45113012100 | BRAKE HOSE FR. SX SEN. LC 2002 | 1   |
| 6   | 0770080019  | O-RING 8,00X1,00 EPDM          | 2   |
| 8   | 45113015000 | BRAKE CALIPER CPL.FR. 50 LC 02 | 1   |
| 9   | 45113030000 | BRAKE PAD SET 50 LC 2002       | 1   |
| 15  | 45113019000 | REP.KIT SEAL RING 50LC 2002    | 1   |
| 16* | 0015080403  | HH COLLAR SCREW M 8X40 WS=10   | 1   |
| 17* | 0015080253  | HH COLLAR SCREW M 8X25 WS=10   | 1   |
| 18* | 0125080003  | WASHER DIN0125-A 8,4           | 2   |
| 19  | 45113018000 | RETAINING SPRING 50 LC         | 1   |
| 20  | 0912050203  | AH SCREW DIN0912-M 5X20        | 1   |
| 21  | 45113020000 | BREATHER SCREW 50 2002         | 1   |
| 50  | 45119050000 | BLEEDER INJECTION-SET 50-65    | 1   |



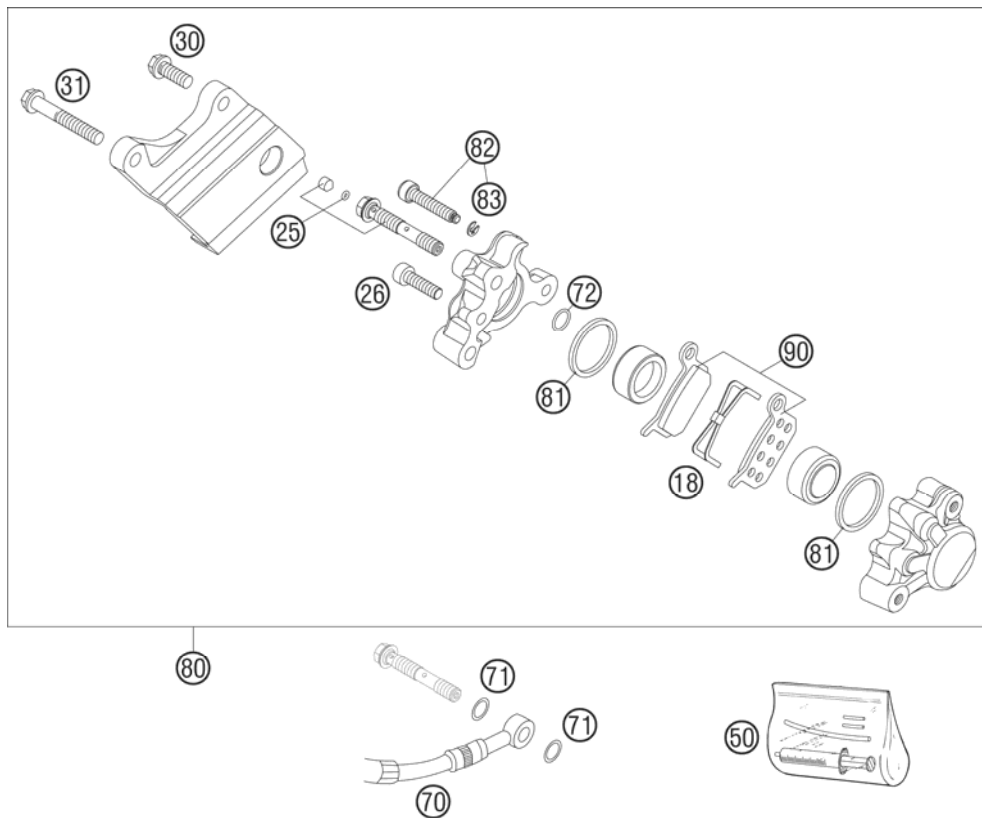
064501302 / C064511305

\* NEW PART

X AS REQUIRED

# BRAKE CALIPER REAR

50 SX 2006



| FIG | PART NUMBER | DESCRIPTION                    | QTY |
|-----|-------------|--------------------------------|-----|
| 18  | 45113018000 | RETAINING SPRING 50 LC         | 1   |
| 25  | 46113225000 | HOLLOW SCREW CPL.              | 1   |
| 26  | 0912050163  | AH SCREW DIN0912-M 5X16        | 1   |
| 30  | 0015060163  | HH COLLAR SCREW M 6X16 WS=8    | 1   |
| 31  | 0015060403  | HH COLLAR SCREW M 6X40 WS=8    | 1   |
| 50  | 45119050000 | BLEEDER INJECTION-SET 50-65    | 1   |
| 70  | 45113170000 | BRAKE HOSE REAR 50 LC 04       | 1   |
| 71  | 0770060019  | O-RING 6,00X1,00               | 2   |
| 72  | 0770080019  | O-RING 8,00X1,00 EPDM          | 1   |
| 80  | 45113080000 | BRAKE CALIPER REAR CPL.50LC 04 | 1   |
| 81  | 0770022020  | O-RING 22X2X2 EPDM             | 2   |
| 82  | 45113225000 | AH SCREW + CIRCLIP 50/65 04    | 1   |
| 83  | 0799025000  | TAB WASHER DIN6799 RS2,5       | 1   |
| 90  | 45113030000 | BRAKE PAD SET 50 LC 2002       | 1   |

05451133 / C064511306

\* NEW PART

X AS REQUIRED







3CF6001F4EN

Art.Nr.: 3CF6001F4EN 6/2005



**KTM-Sportmotorcycle AG**  
A-5230 Mattighofen  
[www.ktm.at](http://www.ktm.at)



## Free Manuals Download Website

<http://myh66.com>

<http://usermanuals.us>

<http://www.somanuals.com>

<http://www.4manuals.cc>

<http://www.manual-lib.com>

<http://www.404manual.com>

<http://www.luxmanual.com>

<http://aubethermostatmanual.com>

Golf course search by state

<http://golfingnear.com>

Email search by domain

<http://emailbydomain.com>

Auto manuals search

<http://auto.somanuals.com>

TV manuals search

<http://tv.somanuals.com>