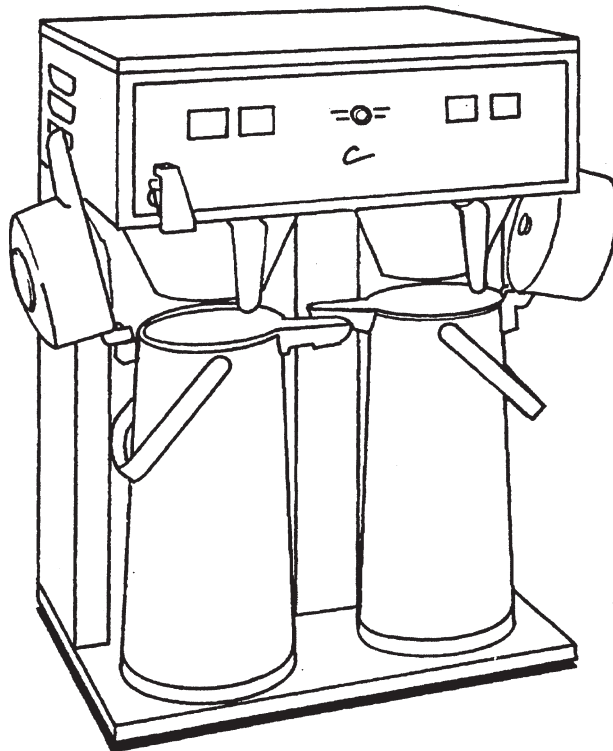


SERVICE MANUAL C1000AP & C1000APT DUAL AIRPOT BREWERS



Curtis[®]

Wilbur Curtis Co., Inc.

Montebello, California 90640 ♦ Telephone 323/837-2300 ♦ Fax 323/837-2406



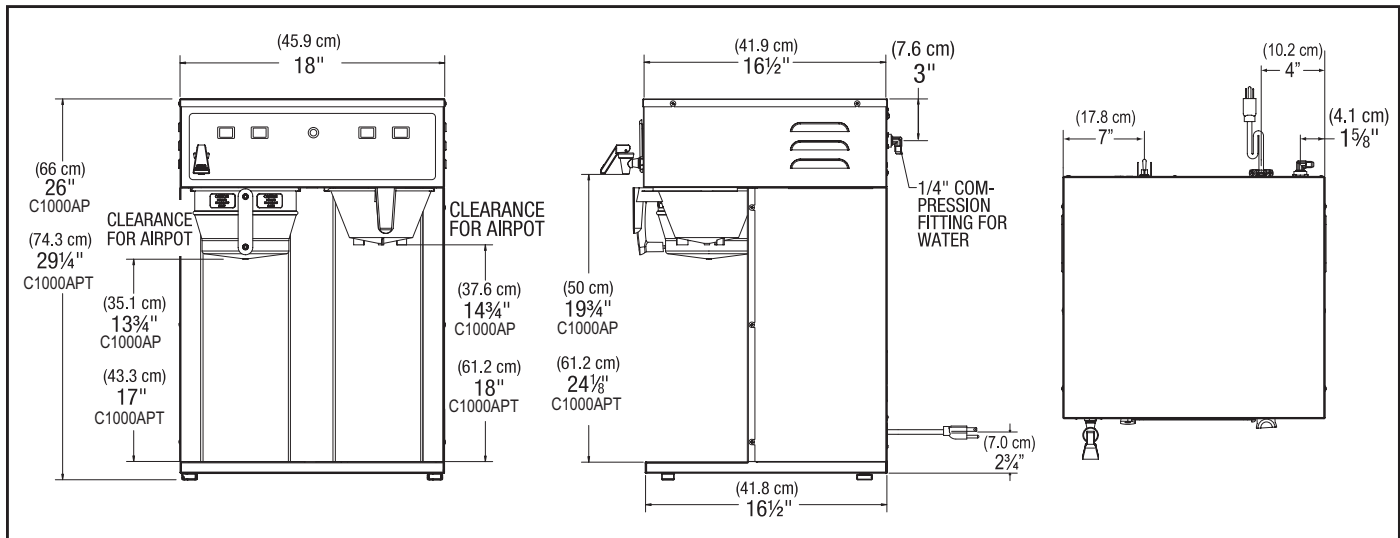
INDEX

Subject	Page
<i>Shipping List</i>	Inside Front Cover
<i>Dimensions</i>	Inside Front Cover
<i>Introduction</i>	1
<i>Setting Up</i>	1
<i>Brewing</i>	2
<i>Care & Maintenance</i>	3
<i>Trouble Shooting</i>	3, 4, 5
<i>Parts Breakdown</i>	6, 7
<i>Parts List</i>	8
<i>Wiring Diagram</i>	9
<i>Warranty</i>	10

CARTON CONTENTS

QTY	ITEM
1	C1000 AP or APT COFFEE BREWER
2	BREW CONE, UNIVERSAL
1	SERVICE MANUAL
25	FILTER PAPER
1	FITTING, 1/4 x 3/8 FLARE ELBOW

C1000AP & APT ROUGH-IN DRAWING



C1000AP & C1000APT Airpot Brewer

INTRODUCTION

This manual applies to Curtis Dual Station Airpot Brewer models C1000AP and C1000APT.

Model C1000AP is designed for use with Curtis Airpots CAP-1 thru CAP-5, and other insulated dispensers up to 13³/₄" tall when opened for filling (see illustration, Step 3 in Coffee Brewing). Starting early in 1994, this brewer was increased in height to accommodate the larger "Deluxe" stainless steel brew cone. The taller brewer will also allow you to use insulated dispensers to 14³/₄" tall with the Universal (plastic) brew cone or the optional stainless steel brew cone.

Model C1000APT is designed for use with the Curtis Airpot CAP-T1 with integral serving stand and gauge glass and other insulated dispensers to 18" tall in filling position. It can also be used with the larger Gourmet brew cone, but will then accept only insulated dispensers of 17" or less. You can use CAP-T1 and CAP-1 thru CAP-5 airpots in combination with all brew cones on the C1000APT.

All Curtis airpots have a capacity of 2.2 liters and the brewers are preset at the factory. You can vary the amount of coffee brewed by adjusting the brew timer.

Brewers with the Universal (plastic) brew cone or the optional stainless steel brew cone of the same size use CR-10 filters. The larger Deluxe brew cone uses GEM-6 filters. See Airpot Accessory Sheet (packed with your manual) to identify your brew cone and for information on other Curtis accessories.

SETTING UP THE COFFEE BREWER

1. Remove top cover of brewer. Remove lid from heating tank. Hand fill tank until water level is approximately two inches below probe tip.
2. A 1/4" flare fitting is required to hook-up the water inlet. Connect water line to inlet valve fitting. Turn on water.
3. With top cover removed, locate the thermostat (see illustration, page 5, #30), turn thermostat knob (#32) clockwise until it stops.
4. Connect unit into appropriate power circuit. Flip POWER SWITCH (behind unit) ON. Water should flow into heating tank (and the heaters will come on). Check that water shuts off when it reaches the probe inside the tank.
5. Turn on the ON/OFF SWITCH on the front. This powers the BREW TIMERS. Place an empty BREW CONE into the guide rails for the left brewer, and an empty airpot beneath it. Press the left BREW SWITCH to start the brew cycle. Repeat the test on the right brewer when the water is hot.
6. If necessary, the brew volume for either station can be increased or decreased by adjusting the appropriate timer. Left and right brewers can be set for different volumes if you use two sizes of insulated dispensers (the quantity of ground coffee needed in the brew will change when a timer has been adjusted). TURN OFF POWER SWITCH ON BACK. Rotate the appropriate timer knob slightly to increase or decrease time and brew volume. Run a brew cycle to verify the brew volume. When you are satisfied with the adjustment, install the top cover and tighten the cover screws.

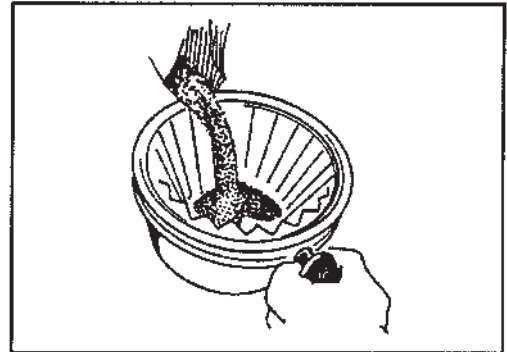
The READY TO BREW light will come on when the water in the heating tank reaches brewing temperature. For best results, do not brew coffee until this light is on. It is normal for the light to go out as soon as brewing begins.

IMPORTANT: The timer is adjusted at the factory to brew into a standard 2.2 liter airpot and has been set between 3 min. 20 sec. to 3 min. 40 sec.. The timer shall not be set longer than 4 min..

COFFEE BREWING

- 1. With a clean filter in place, pour ground coffee into the brew cone.**

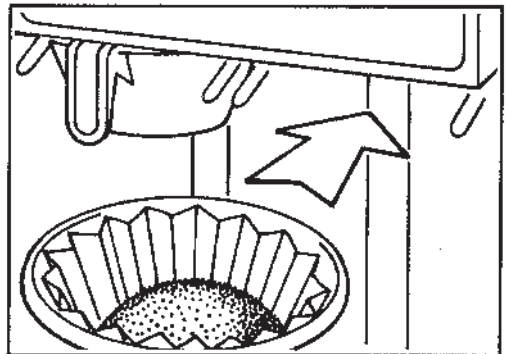
You may need to experiment to determine the correct quantity of ground coffee for your tastes, but a consistent measure of ground coffee is necessary for controlling the quality of flavor in your brewed coffee.



- 2. Slide brew cone onto the guide rails as far in as it will go. Place an empty airpot beneath the cone.**

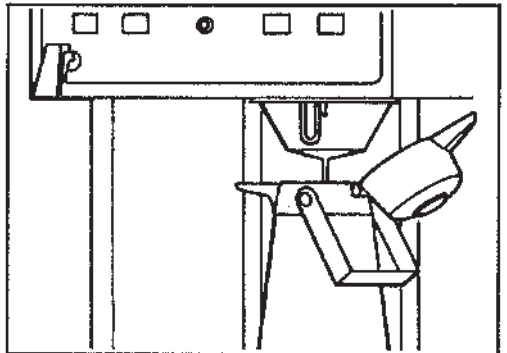
Note that most airpots must be opened and the siphon assembly removed for filling.

Preheating the airpot can increase the serving temperature by 4°-5° F.



- 3. Make sure that both the ON/OFF switch and READY TO BREW light is ON. Pushing the brew switch will start the brew cycle.**

If necessary, the brew cycle may be canceled at any time by pressing the ON/OFF switch to OFF.



CAUTION: TO AVOID SCALDING HAZARD FROM HOT LIQUID, do not remove the airpot or brew cone until the brew cycle is complete and the grounds

C1000AP & C1000APT Airpot Brewer

CARE AND MAINTENANCE OF C1000 AP

Preventive maintenance is essential in keeping your Curtis coffee brewer performing at its peak. Regular cleaning will pay off with an appealing, high performance, coffee brewing machine.

Preventive Maintenance

1. Remove the sprayhead from brewer and clean it once a week; more often in heavy lime areas.
2. The inside of the heating tank may, occasionally, require removing of lime build-up. The frequency is determined by local water conditions.

Cleaning

Using a daily routine of cleaning, the external parts of the C1000 AP should maintain its new appearance and ensure that the flavor of the coffee is always good.

1. Wipe off any spills, dust or debris that may fall on exterior surfaces.
2. Slide out the brew cone and rinse.
3. Clean sprayhead and dome around the sprayhead. Use a non-toxic cleaner.
4. Clean the brew cone slide rails with a brush or damp cloth. Dry thoroughly.

Stainless Steel Polish can be used to clean the outside surfaces of the C1000 AP coffee brewer. This is to prevent scratching of the stainless steel surfaces.



CAUTION - Do not use cleansers, bleach liquids, powders or any other substance containing chlorine. These products will promote corrosion and will pit the stainless steel. USE OF THESE PRODUCTS WILL VOID YOUR WARRANTY.

TROUBLESHOOTING

These procedures apply specifically to model C1000AP-10 and C1000APT-10. They also apply to airpot brewers with other dash numbers which are based on the -10 schematic, primary units rated 220 volts, 5100 watts, three wire plus ground. If the serial nameplate electrical rating differs, some measured voltages, currents, and resistances will be different than shown on the standard -10 schematic.

PROBLEM: WATER DOES NOT FLOW INTO HEATING TANK.

POSSIBLE CAUSE	SOLUTION
1. Water line turned off or water filter needs changing	Open the line and make sure you are getting enough water to brewer.
2. Water inlet valve coil burned out	Turn machine off. Disconnect wires from water inlet coil terminals and connect a power cord to the terminals. Plug cord into a 120V outlet and verify if water flows when plugged in and stops when power is disconnected. If valve fails this test, replace valve.

C1000AP & C1000APT Airpot Brewer

TROUBLE SHOOTING CONTINUED:

PROBLEM: WATER DOES NOT FLOW INTO HEATING TANK.

POSSIBLE CAUSE	SOLUTION
3. Grounded probe	When the water level gets below the probe tip, water should automatically refill the tank. If not, pull wire off the probe terminal. Water should now start flowing into the tank. If not, check the water level control board (see step 4) or inlet valve (step 2).
4. Defective water level control board	Disconnect wire from probe terminal. With a voltmeter, check voltage at the water inlet coil terminals. This should read 110-120 volts. If no voltage is present, check liquid level control (L.L.C.) board. Make sure the L.L.C. board is supplied by 120V across terminals T2 & T3. The L.L.C. board is grounded to the chassis of the machine by contacting the board to the mounting bracket. Make sure board is grounded here. Check for loose connections at terminals. Replace board.

PROBLEM: WATER HEATING TANK OVERFLOWING.

POSSIBLE CAUSE	SOLUTION
1. Defective water inlet valve	Turn power off and observe water level. If water continues to flow into the heating tank, clean or replace leaky valve.
2. Probe limed-up	Disconnect wire from probe terminal. Touch the body of the heating tank with the terminal at the end of this wire. If water stops, try cleaning the probe. Probe may have to be replaced.
3. Non-grounded or loose terminal connections at liquid level control board	Liquid level control board must be securely grounded through the back of the board and the mounting bracket. Check for loose connections at the terminals. Check for voltage across the inlet valve terminals. If there is 110 to 120 volts present at the inlet valve terminals when water level is touching the probe tip, replace the L.L.C. board.

PROBLEM: WATER IN TANK DOES NOT REACH PROPER TEMPERATURE

POSSIBLE CAUSE	SOLUTION
1. Thermostat turned OFF (or not fully ON).	Check thermostat to make sure the shaft is rotated fully clockwise until it stops.
2. Defective thermostat	Replace thermostat if contacts are open when shaft is fully clockwise and water temperature is less than 190° F. You will measure 120 volts (approximately) to ground from both thermostat terminals when it is ON and from only one terminal when it is OFF.
3. Defective Contactor	Measure the voltage across the coil terminals of the contactor. If you read 110/120V, but the contacts remain open, the coil is burned out. Replace it.

C1000AP & C1000APT Airpot Brewer

TROUBLE SHOOTING CONTINUED:

PROBLEM: WATER IN TANK DOES NOT REACH PROPER TEMPERATURE

POSSIBLE CAUSE	SOLUTION
4. Burned out heating element	<p>In this coffee brewer there are two elements in parallel. Failure of either will cause very slow heating. Perform the following tests:</p> <ol style="list-style-type: none">Clamp-on ammeter test: If both elements are good, you will measure about 21 amps at 240 volts or 24 amps at 208 volts. Use heavy wire from the contactor to measure the current. If you measure only 10 to 12 amps, check the current to each element to identify defective unit.Ohmmeter or continuity test: Disconnect all power by unplugging unit, or de-energizing circuit breaker (switch on back of unit does not disconnect L2). Disconnect one terminal to measure each element. They should each have continuity or measure about 20 ohms.

PROBLEM: WATER BOILING, HEATING ELEMENTS DO NOT SHUT OFF.

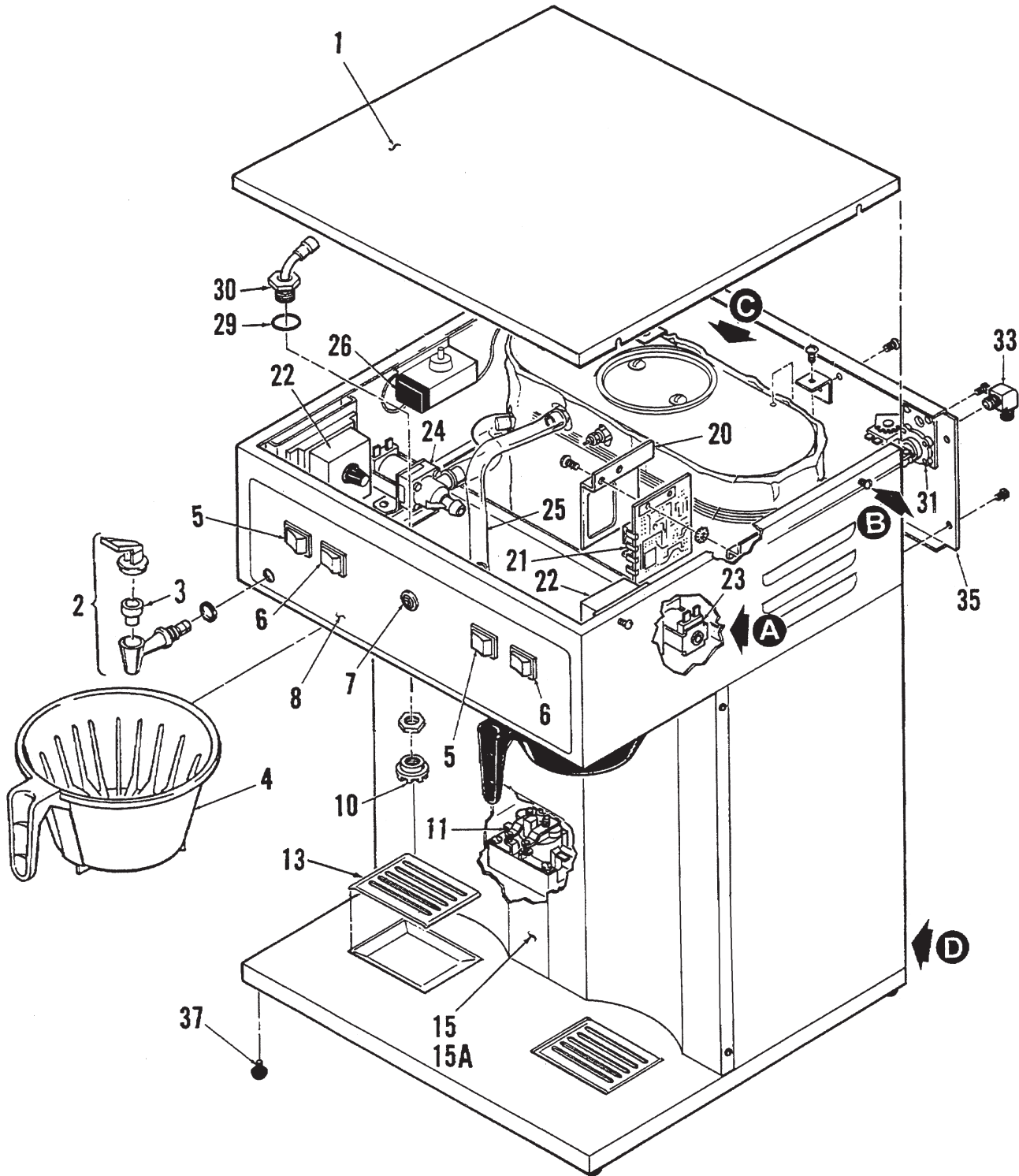
POSSIBLE CAUSE	SOLUTION
1. Defective thermostat	If ready to brew light does not come on, replace thermostat. You can sometimes operate temporarily by turning the thermostat shaft counterclockwise until brew light comes on and boiling stops.
2. Defective contactor	If READY TO BREW light comes on, but water keeps boiling, contactor is stuck. Replace it. Under this condition, no voltage should be present at the contactor coil.

PROBLEM: WATER NOT FLOWING FROM SPRAYHEAD.

POSSIBLE CAUSE	SOLUTION
1. Water level is too low in heating tank.	Check water level in tank (it should be filled up to the probe tip). If water does not flow into tank, review steps 1 thru 4, previous page.
2. Defective brew switch	Check the continuity between terminal 4B & 5B. When the switch is pressed, there should be solid continuity between these two terminals. If not, replace the switch.
3. Defective brew valve	Push the brew switch to start the timer. The light on this switch will indicate that the timer is on and it will energize the coil of the dump valve to open it. You should read 110/120V at the coil terminals. If this voltage is present but the valve does not open, the coil is burned out. Replace the coil or the valve.
4. Clogged fittings or tubing	Check for lime buildup in the tank outlet fitting, sprayhead fitting, or the sprayhead. Clean as necessary. Also check for kinks or blockage in the flexible tubing.

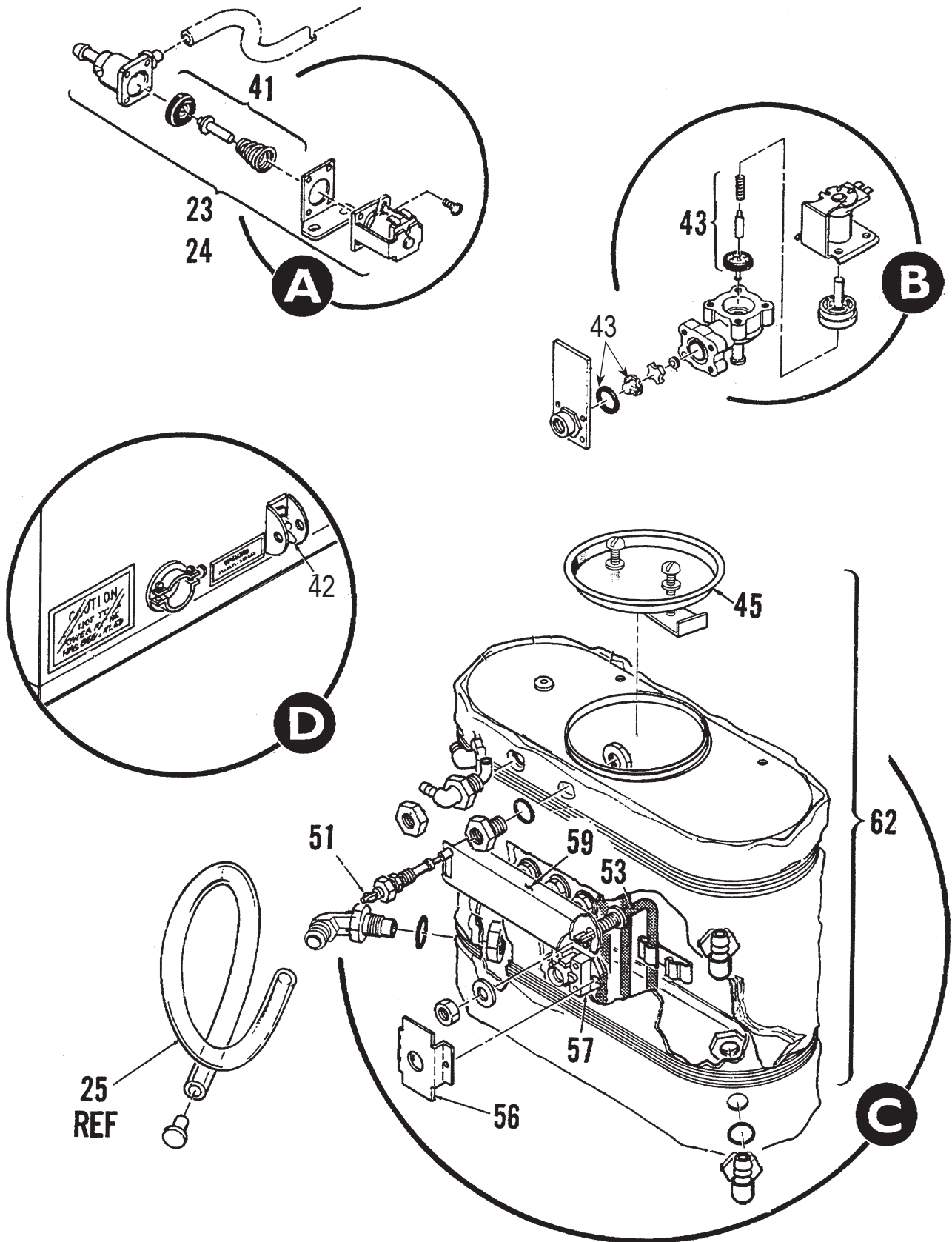
C1000AP & C1000APT Airpot Brewer

ILLUSTRATED PARTS BREAKDOWN



C1000AP & C1000APT Airpot Brewer

ILLUSTRATED PARTS BREAKDOWN



C1000AP & C1000APT Airpot Brewer

PARTS LIST

INDEX N°	PART N°	DESCRIPTION
1	WC-5421	COVER, TOP SS
2	WC-1809	FAUCET, PS/HPS SERIES HOT WTR
3	WC-1806	SEAT CUP, SILICONE FOR WC-1809
4	WC-3621	BREW CONE, UNIVERSAL 7.1" DIA.
5	WC- 114R	SWITCH, ROCKER 120V SPST 15A
6	WC- 122	SWITCH, BREW 120V SPST 15A
7	WC- 202	LIGHT, BREW RED LIT 120V 1/3W
8	WC-6324	LABEL, SW PANEL LEXAN C1000AP
10	WC-2936	SPRAYHEAD, RED (Ø.131)
11	WC-37237	KIT, CONTACTOR RTRFT WC-400R
11A	WC-37265*	KIT, CONTACTOR RTRFT WC-400R
13	WC-6221	GRID, DRIP TRAY SS
15	WC-5847	COVER, FRONT C1000AP
15A	WC-5848	COVER, FRONT C1000APT
20	WC-4380	GUARD, SHOCK/LEVEL CONTROL
21	WC- 608	LEVEL CONTROL, WATER 120V
22	WC- 604	TIMER, BREW 120V 1-8MIN.
23	WC- 817	VALVE, DUMP RIGHT 120V 12W
24	WC- 899	VALVE, DUMP LEFT 120V 12W

INDEX N°	PART N°	DESCRIPTION
25	WC-5310	TUBE, 5/16 ID x 1/8W SILICONE
26	WC- 517	T-STAT, CAPILLARY SPST 277V 22A
29	WC-4320	O'RING, 1/2" I.D.
30	WC-2977	FITTING, SPRAYHEAD PLATED
31	WC- 826L	VALVE, INLET 1 GPM 120V 10W
33	WC-2401	ELBOW, 3/8 NPT X 1/4 FLRE PLTD
35	WC-5482	COVER, ASSY TOP WRAP BACK
37	WC-3502	LEG, 8-32 STUD SCREW BUMPER
41	WC-3709	KIT, VALVE REPAIR FOR WC-816,817
42	WC- 102	SWITCH, TOGGLE NON-LIT SPST
43	WC-3765L	KIT, INLET VALVE REPAIR
45	WC-37008	KIT, TANK LID ROUND
46	WC-4314	INSERT, SILICONE GROMMETS
51	WC-5502	PROBE, WATER LEVEL
53	WC 934-04	ELEMENT, HEATING 2.5KW 220V
56	WC-4381	GUARD, SHOCK RESET THERM
57	WC- 522	THERMOSTAT, HI-LIMIT HTR CNTRL
59	WC-4382	SHOCK GUARD, HEATING ELEMENT
62	WC-6220	TANK COMPLETE, C1000AP-10

* FOR UNITS W/CONTACTOR ON SPLASH PANEL

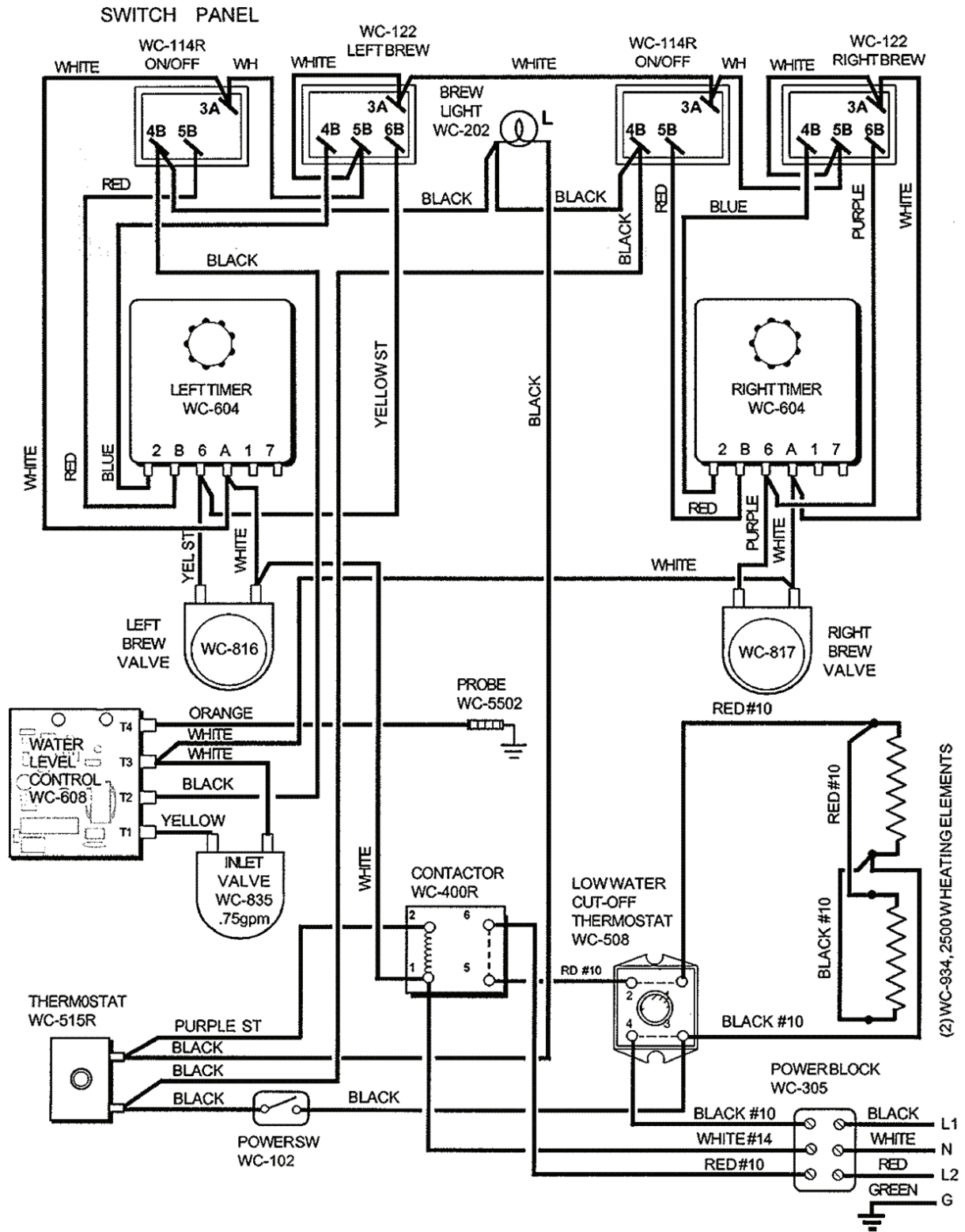


Wilbur Curtis Company, Inc.

C1000AP & C1000APT Airpot Brewer

DRWN. <i>FRN</i>	APPVD <i>FRN</i>	WIRES 3+GND	HZ 60	WIRING DIAGRAM		MODEL	REV.
CHKD. <i>MDV</i>	DATE 2-15-94	PHASE Single	VOLTS 220	AMPS 23	WATTS 5100	C 1000 AP-10	B

9-24-99



Product Warranty Information

The Wilbur Curtis Company certifies that its products are free from defects in material and workmanship under normal use. The following limited warranties and conditions apply:

3 Years, Parts and Labor, from Original Date of Purchase on digital control boards.

2 Years, Parts, from Original Date of Purchase on all other electrical components, fittings and tubing.

1 Year, Labor, from Original Date of Purchase on all electrical components, fittings and tubing.

Additionally, the Wilbur Curtis Company warrants its Grinding Burrs for Forty (40) months from date of purchase or 40,000 pounds of coffee, whichever comes first. Stainless Steel components are warranted for two (2) years from date of purchase against leaking or pitting and replacement parts are warranted for ninety (90) days from date of purchase or for the remainder of the limited warranty period of the equipment in which the component is installed.

All in-warranty service calls must have prior authorization. For Authorization, call the Technical Support Department at 1-800-995-0417. Effective date of this policy is April 1, 2003.

Additional conditions may apply. Go to www.wilburcurtis.com to view the full product warranty information.

CONDITIONS & EXCEPTIONS

The warranty covers original equipment at time of purchase only. The Wilbur Curtis Company, Inc., assumes no responsibility for substitute replacement parts installed on Curtis equipment that have not been purchased from the Wilbur Curtis Company, Inc. The Wilbur Curtis Company will not accept any responsibility if the following conditions are not met. The warranty does not cover and is void under the following circumstances:

- 1) **Improper operation of equipment:** The equipment must be used for its designed and intended purpose and function.
- 2) **Improper installation of equipment:** This equipment must be installed by a professional technician and must comply with all local electrical, mechanical and plumbing codes.
- 3) **Improper voltage:** Equipment must be installed at the voltage stated on the serial plate supplied with this equipment.
- 4) **Improper water supply:** This includes, but is not limited to, excessive or low water pressure, and inadequate or fluctuating water flow rate.
- 5) **Adjustments and cleaning:** The resetting of safety thermostats and circuit breakers, programming and temperature adjustments are the responsibility of the equipment owner. The owner is responsible for proper cleaning and regular maintenance of this equipment.
- 6) **Damaged in transit:** Equipment damaged in transit is the responsibility of the freight company and a claim should be made with the carrier.
- 7) **Abuse or neglect (including failure to periodically clean or remove lime accumulations):** The manufacturer is not responsible for variation in equipment operation due to excessive lime or local water conditions. The equipment must be maintained according to the manufacturer's recommendations.
- 8) **Replacement of items subject to normal use and wear:** This shall include, but is not limited to, light bulbs, shear disks, "O" rings, gaskets, silicone tube, canister assemblies, whipper chambers and plates, mixing bowls, agitation assemblies and whipper propellers.
- 9) **Repairs and/or Replacements** are subject to our decision that the workmanship or parts were faulty and the defects showed up under normal use. All labor shall be performed during regular working hours. Overtime charges are the responsibility of the owner. Charges incurred by delays, waiting time, or operating restrictions that hinder the service technician's ability to perform service is the responsibility of the owner of the equipment. This includes institutional and correctional facilities. The Wilbur Curtis Company will allow up to 100 miles, round trip, per in-warranty service call.

RETURN MERCHANDISE AUTHORIZATION: All claims under this warranty must be submitted to the Wilbur Curtis Company Technical Support Department prior to performing any repair work or return of this equipment to the factory. All returned equipment must be repackaged properly in the original carton. No units will be accepted if they are damaged in transit due to improper packaging. **NO UNITS OR PARTS WILL BE ACCEPTED WITHOUT A RETURN MERCHANDISE AUTHORIZATION (RMA).** RMA NUMBER MUST BE MARKED ON THE CARTON OR SHIPPING LABEL. All in-warranty service calls must be performed by an authorized service agent. Call the Wilbur Curtis Technical Support Department to find an agent near you.



WILBUR CURTIS CO., INC.

6913 Acco St., Montebello, CA 90640-5403 USA

Phone: 800/421-6150

◆ Fax: 323-837-2410

◆ Technical Support Phone: 800/995-0417 (M-F 5:30A - 4:00P PST)

◆ E-Mail: techsupport@wilburcurtis.com

◆ Web Site: www.wilburcurtis.com

Free Manuals Download Website

<http://myh66.com>

<http://usermanuals.us>

<http://www.somanuals.com>

<http://www.4manuals.cc>

<http://www.manual-lib.com>

<http://www.404manual.com>

<http://www.luxmanual.com>

<http://aubethermostatmanual.com>

Golf course search by state

<http://golfingnear.com>

Email search by domain

<http://emailbydomain.com>

Auto manuals search

<http://auto.somanuals.com>

TV manuals search

<http://tv.somanuals.com>