



**WHITE-RODGERS**

**1F59-11**

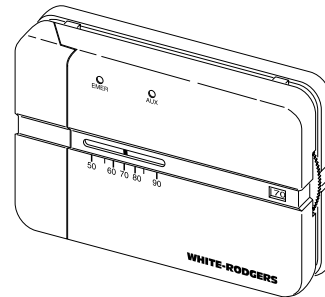
Low Voltage Heat Pump Thermostat  
**INSTALLATION & OPERATION  
INSTRUCTIONS**

**Operator: Save these instructions for future use!**

**FAILURE TO READ AND FOLLOW ALL INSTRUCTIONS CAREFULLY  
BEFORE INSTALLING OR OPERATING THIS CONTROL COULD CAUSE  
PERSONAL INJURY AND/OR PROPERTY DAMAGE.**

**DESCRIPTION**

This thermostat is designed to control a heat pump system where automatic changeover is not required. The thermostat is equipped with **EMER HEAT** and **AUX** indicator lights. The **EMER HEAT** indicator light can be wired to a malfunction switch in the system to provide a malfunction indicator.



**PRECAUTIONS**

If in doubt about whether your wiring is millivolt, line, or low voltage, have it inspected by a qualified heating and air conditioning contractor, electrician, or someone familiar with basic electricity and wiring.

Do not exceed the specification ratings.

All wiring must conform to local and national electrical codes and ordinances.

This control is a precision instrument, and should be handled carefully. Rough handling or distorting components could cause the control to malfunction.

**CAUTION**

To prevent electrical shock and/or equipment damage, disconnect electric power to system, at main fuse or circuit breaker box, until installation is complete.

**WARNING**

Do not use on circuits exceeding 30 volts. Higher voltage will damage control and could cause shock or fire hazard.

**DO NOT USE** this thermostat on heat pump systems that have a spark ignition gas or fossil fuel second stage heat source.

**SPECIFICATIONS**

**ELECTRICAL DATA**

**Electrical Rating:**

- 18 to 30 VAC, 50/60 Hz
- 0.01 to 1.5 amps (load per terminal)
- 2.5 amps max. total load (all terminals combined)

**STAGING DATA**

- Up to two heating stages
- One cooling stage

**THERMAL DATA**

- Temperature Range:** 40°F to 90°F (4°C to 32°C)
- Rated Differential:** Stage 1 heat – 1.3°F (max.)  
Stage 2 heat – 0.9°F (max.)  
Cooling – 1.3°F (max.)

**DIMENSIONS**

3.5" H x 5.5" w x 1.25" D



**WHITE-RODGERS DIVISION**  
EMERSON ELECTRIC CO.  
9797 REAVIS ROAD  
ST. LOUIS, MISSOURI 63123-5398

Printed in U.S.A.

**PART NO. 37-5271C**  
Replaces 37-5271B  
9520

# INSTALLATION

## SELECT THERMOSTAT LOCATION

Proper location insures that the thermostat will provide a comfortable home temperature. Observe the following general rules when selecting a location:

1. Locate thermostat about 5 ft. above the floor.
2. Install thermostat on a partitioning wall, not on an outside wall.
3. Never expose thermostat to direct light from lamps, sun, fireplaces or any temperature radiating equipment.
4. Avoid locations close to windows, adjoining outside walls, or doors that lead outside.
5. Avoid locations close to air registers or in the direct path of air from them.
6. Make sure there are no pipes or duct work in that part of the wall chosen for the thermostat location.
7. Never locate thermostat in a room that is warmer or cooler than the rest of the home, such as the kitchen.
8. Avoid locations with poor air circulation, such as behind doors or in alcoves.
9. The living or dining room is normally a good location, provided there is no cooking range or refrigerator on opposite side of wall.

## ROUTE WIRES TO LOCATION

1. If an old thermostat is being replaced and is in a satisfactory location, and the wiring appears to be in good condition, use existing wiring. If in doubt, re-wire.
2. If a new location is chosen or if this is a new installation, thermostat wire must first be run to the location selected. All wiring must conform with local and national electrical codes and ordinances.
3. Probe for obstructions in partition before drilling  $\frac{1}{2}$ " hole in wall at selected location. Take up quarter round and drill a small guide hole for sighting (see fig. 1). From basement, drill  $\frac{3}{4}$ " hole in partition floor next to guide hole. In houses without basements, drill  $\frac{1}{2}$ " hole through ceiling and into partition from above (see fig. 1).
4. Through this hole drop a light chain, or 6" chain attached to a strong cord. Snag cord in basement with hooked wire. In houses without basements, drop cord through hole in ceiling and down partitioning; snag cord at the thermostat location.
5. Attach thermostat wire to cord and pull wire through hole in wall so that 6" of wire protrudes.

## ATTACH THERMOSTAT BASE TO WALL

1. Remove thermostat cover. Pull wires through opening near center of thermostat base and connect wires under terminal screws (see **WIRE THERMOSTAT TO SYSTEM**).

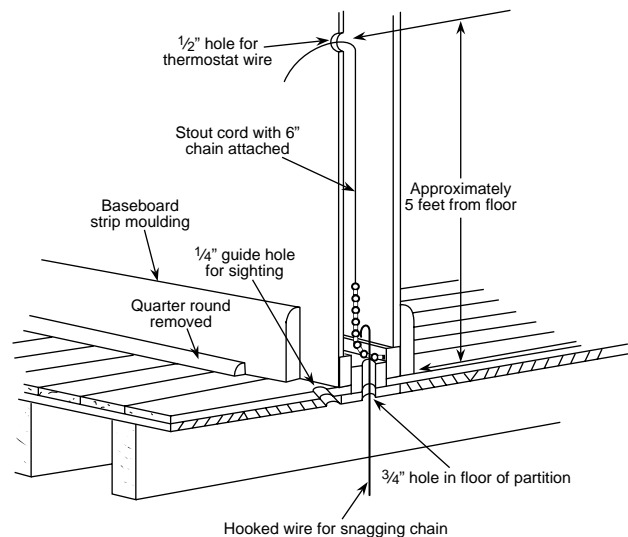


Figure 1. Routing thermostat wires

2. Push excess wire into wall and plug up hole with fire-resistant material, such as fiberglass insulation, to prevent drafts from affecting thermostat operation.
3. Place thermostat base over hole in wall for wires and mark mounting hole locations on wall.
4. Drill mounting holes.
5. Fasten thermostat base loosely to wall using two mounting screws (see fig. 2). Place a level against bottom of base, adjust until level, and then tighten mounting screws to secure base (leveling is for appearance only and will not affect thermostat operation). If holes in wall are too large and do not allow you to tighten base snugly, use plastic screw anchors to secure base.

### CAUTION

Take care when securing and routing wires so they do not short to adjacent terminals or rear of thermostat. Shorted wires may result in personal injury and/or property damage.

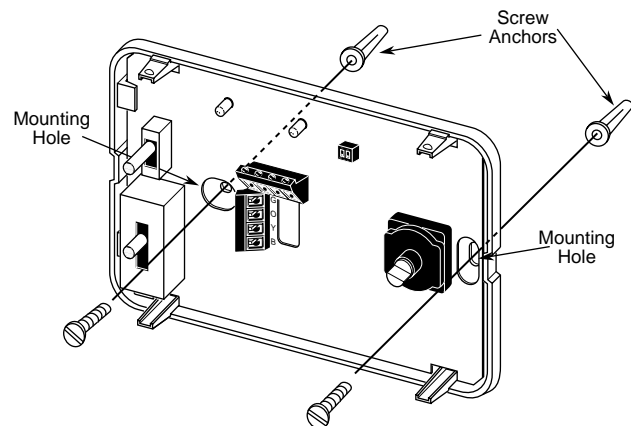


Figure 2. Mounting thermostat base to wall

## WIRE THERMOSTAT TO SYSTEM

For best electrical connection, use solid 18 gauge wire. If you must use stranded wire, tin the wires with solder to insure a good electrical connection.

1. Strip wires back ¼".
2. Using needle-nose pliers, insert wire into correct terminal block opening (see figs. 3 and 4).
3. Tighten terminal block connector screw.
4. Repeat steps 2 and 3 for each wire.

### NOTE

Some applications may require that the fan be disabled in the Emergency Mode. Refer to System Function Table.

### CAUTION

To prevent electrical shock and/or equipment damage, disconnect electrical power to system, at main fuse or circuit breaker, until installation is complete.

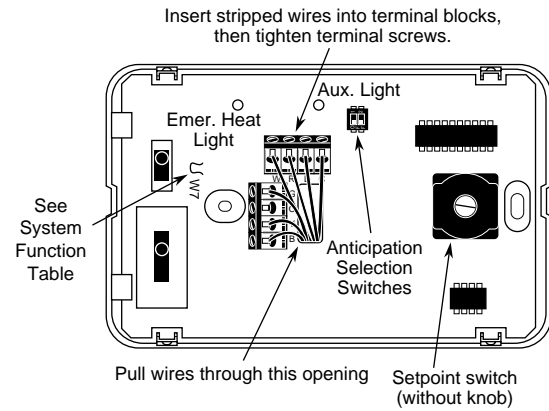


Figure 3. Thermostat base with typical wiring

### NOTE

This typical wiring diagram shows only the terminal identification and wiring hookup. Always refer to wiring instructions provided by equipment manufacturer for system hookup.

All wiring should be installed in accordance with local and national codes and ordinances.

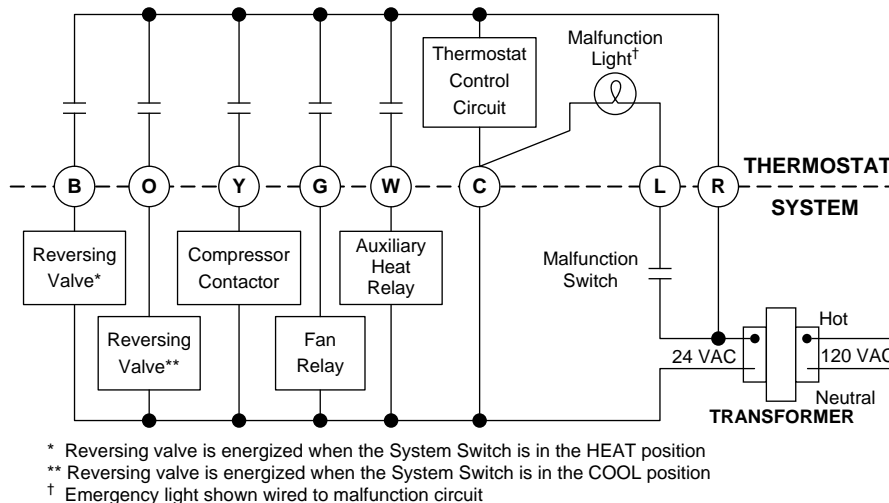


Figure 4. Typical wiring diagram

## ATTACH SETPOINT KNOB AND COVER

1. After thermostat base is mounted on wall, remove cardboard insert from setpoint switch.
2. Carefully press setpoint knob onto setpoint switch (see fig. 5).
3. Carefully snap cover onto thermostat base. Refer to the **OPERATION** section for instructions on setting the thermostat for desired operation.

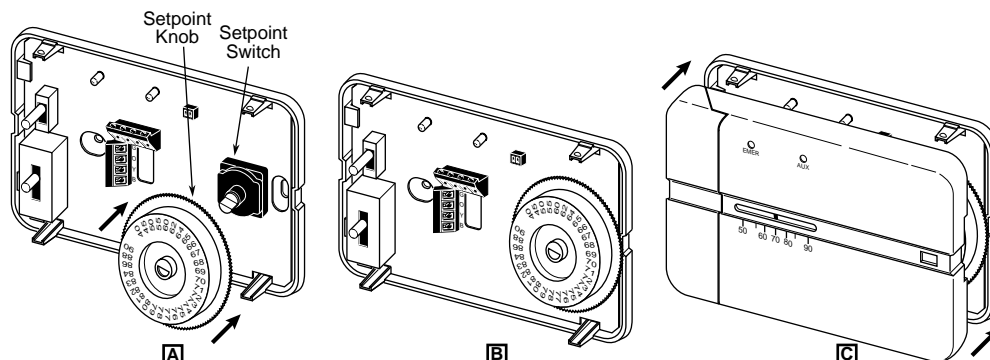


Figure 5. Attach setpoint knob and cover

# OPERATION

SWITCH POSITIONS						SYSTEM FUNCTION							COMPONENT OPERATION
FAN		SYSTEM				Fan Relay	Rev Valve (O)	Rev Valve (B)	Aux Heat Relay	Compr. Contact	Emer Light	Aux. Light	
Auto	On	Cool	Off	Heat	Emer								
■			■										No heat - no cool - no fan - no lights
■				■		■		■		■			Heating Mode: stage 1 calling. Fan relay, compressor contactor, and reversing valve (B) energized by thermostat.
■				■		■		■	■	■		■	Heating Mode: both stages calling. Fan relay, compressor contactor, reversing valve (B), and auxiliary heat relay are energized.
■					■	■		■	■		■	■	Emergency Heat Mode: aux heat, fan relay *, and reversing valve (B) are energized. Compressor locked out.
■		■				■	■			■			Cooling Mode: Fan relay, compressor contactor and reversing valve (O) energized.
	■					■							Fan On: Energizes fan relay regardless of system switch position.

■ Indicates switch position on thermostat subbase and system function in operation.

\* In Emergency Heat Mode, fan may be disabled, if required, by cutting jumper W7 (see fig 3).

This thermostat is easy to operate. The above table shows how the system will operate when the **FAN** and **SYSTEM** switches are in different positions.

To set the switches, open the door on the left side of the thermostat (see fig 6). Move the **FAN** and **SYSTEM** switches up or down to select desired system operation. To set the temperature, move the temperature selection knob (on the right side of the thermostat) until the desired temperature is shown in the window.

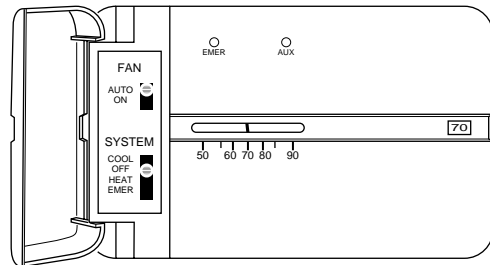
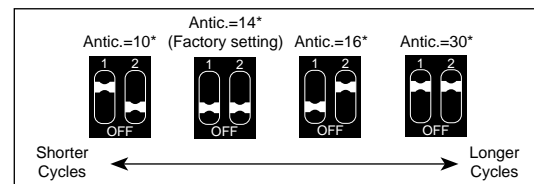


Figure 6. Thermostat with door open

## ANTICIPATION ADJUSTMENT

The anticipation setting on this thermostat is adjustable. Any anticipation setting (including the factory setting) will work with any system for which this thermostat is intended for use. However, the user may be more comfortable with a particular setting. If the system is turning on and off too often (short cycles) or not often enough (long cycles) for the user's comfort, follow these steps to adjust the anticipation.

1. Turn off power to the thermostat.
2. Remove the thermostat cover.
3. Find the anticipation adjustment switches (see fig. 3).
4. Using a pencil or small screwdriver, move the switches to the desired setting (see figs. 7 and 8).
5. Carefully snap the cover onto the thermostat base.
6. Turn on power to the thermostat.



\* These numbers represent different anticipation settings. See fig. 8 for further information.

Figure 7. Anticipation selection switch settings

### First Stage Heat & Cool

Anticipation Reference Number	Approx. Temperature Differential*
10	0.8°F
14	1.1°F
16	1.3°F
30	2.4°F

### Second Stage & Emergency Heat

Anticipation Reference Number	Approx. Temperature Differential*
10	0.3°F
14	0.4°F
16	0.5°F
30	0.9°F

\* These numbers are approximate and represent thermostat operation with a typical system. Actual temperature differentials may vary.

Figure 8. Approximate temperature differential and cycle times

## LOCKOUT BYPASS OPTION

**FOR QUALIFIED SERVICE TECHNICIANS' USE ONLY. OPERATORS SHOULD NOT USE THIS FEATURE DUE TO POSSIBILITY OF EQUIPMENT OR PROPERTY DAMAGE, OR PERSONAL INJURY.**

**DO NOT USE THE LOCKOUT BYPASS OPTION UNLESS THE COMPRESSOR OIL HEATERS HAVE BEEN OPERATIONAL FOR 6 HOURS AND THE SYSTEM HAS NOT BEEN OPERATIONAL FOR AT LEAST 5 MINUTES.**

## COMPRESSOR SHORT TERM CYCLE PROTECTION

This thermostat has a built-in short term (5-minute) time delay. During this 5-minute period, the thermostat will lock out the compressor to allow head pressure to stabilize. If you want to override this feature while testing thermostat operation, move the **SYSTEM** switch to **OFF**. Wait about 6 to 8 seconds, then move the **SYSTEM** switch back to the previous position.

## Free Manuals Download Website

<http://myh66.com>

<http://usermanuals.us>

<http://www.somanuals.com>

<http://www.4manuals.cc>

<http://www.manual-lib.com>

<http://www.404manual.com>

<http://www.luxmanual.com>

<http://aubethermostatmanual.com>

Golf course search by state

<http://golfingnear.com>

Email search by domain

<http://emailbydomain.com>

Auto manuals search

<http://auto.somanuals.com>

TV manuals search

<http://tv.somanuals.com>