

Chefscape™

4-SLOT EGG & MUFFIN TOASTER™

Instruction Manual



Register this and other Focus Electrics products through our website:

www.focuslectrics.com

Important Safeguards.....	2
Operating Precautions.....	3
Assembling Your Egg & Muffin Toaster™.....	4
Using Your Egg & Muffin Toaster™.....	4
Cleaning Your Egg & Muffin Toaster™.....	10
Recipes.....	11
Warranty.....	13

SAVE THIS INSTRUCTION MANUAL FOR FUTURE REFERENCE

© 2008 Chefscape™, a Brand of Focus Electrics, LLC.
www.focuslectrics.com

IMPORTANT SAFEGUARDS



CAUTION

To prevent personal injury or property damage, read and follow all instructions and warnings.

When using electrical appliances, basic safety precautions should always be followed including:

- Read all instructions, including these important safeguards and the care and use instructions in this manual.
- Do not touch hot surfaces. Use handles or knobs.
- To protect against electric shock, do not immerse cord, plugs, or other electric parts in water or other liquids.
- Close supervision is necessary when this appliance is used by or near children.
- Always unplug from outlet when not in use and before cleaning. Allow to cool before putting on or taking off parts and before cleaning.
- Do not operate this appliance with a damaged cord or plug, after the appliance malfunctions or if the appliance is dropped or damaged in any manner. If you experience any problems with your machine, unplug it immediately from the electrical outlet. For service information see the warranty page.
- The use of accessory attachments not recommended by Focus Electrics may cause injuries.
- Do not use this appliance outdoors.
- Do not let cord hang over edge of table or counter, or touch hot surfaces.
- Do not place on or near a hot gas or electric burner, in a heated oven.
- Extreme caution must be used when moving an appliance containing hot oil or other hot liquids.
- To disconnect, turn any control to "OFF", then remove plug from wall outlet.
- Do not use appliance for other than intended use.
- Oversized foods, metal foil packages, or metal utensils must not be inserted in a toaster as they may involve a risk of fire or electric shock.
- A fire may occur if the appliance is covered or touching flammable material, including curtains, draperies, walls, and the like, when in operation.
- Do not attempt to dislodge food when toaster is plugged in.

- This appliance has a polarized plug (one blade is wider than the other). To reduce the risk of electric shock, this plug is intended to fit into a polarized outlet only one way. If the plug does not fit fully into the outlet, reverse the plug. If it still does not fit, contact a qualified electrician. Do not attempt to modify the plug in any way.
- For household use **only**.



CAUTION

To prevent personal injury or property damage, read and follow all instructions and warnings.

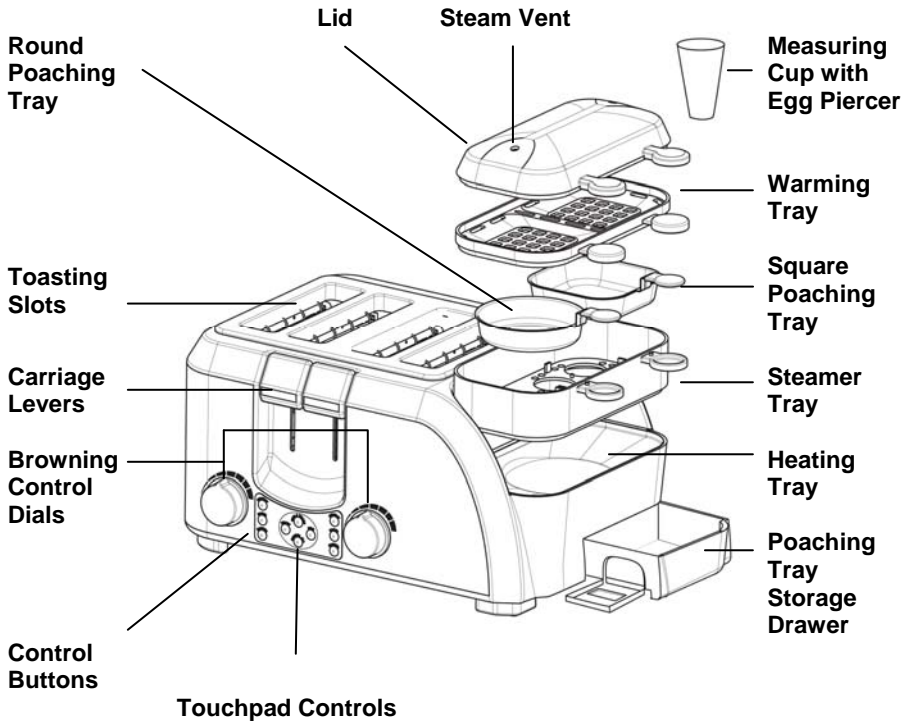
OPERATING PRECAUTIONS

- Avoid toasting foods with frostings or fillings that may run or that are made with open fillings. Frostings and fillings can catch fire.
- Do not toast pastries, tarts and the like at any setting other than the lowest or lightest setting and never toast twice as these items can ignite if over-heated and cause fire.
- Failure to clean and replace crumb tray after each use may result in fire hazard.
- Lift and open the egg cooker lid carefully to avoid scalding.
- Do not attempt to operate the egg poacher without water in the reservoir.
- To prevent spilling hot liquid, do not move the appliance after the egg poaching process is started.
- A short power-supply cord is provided to reduce risks resulting from becoming entangled in or tripping over a longer cord.
- Longer, detachable power-supply cords or extension cords are available and may be used if care is exercised in their use. While use of an extension cord is not recommended, if you must use one, the marked electrical rating of the detachable power-supply cord or extension cord should be at least as great as the electrical rating of the appliance. If the appliance is of the grounded type, the extension cord should be a grounding-type 3-wire cord. The cord should be arranged so that it will not hang over the counter top or tabletop where it can be pulled by children or tripped over.
- Do not attempt to repair this appliance yourself.

SAVE THESE INSTRUCTIONS

ASSEMBLING YOUR EGG & MUFFIN TOASTER™

Egg & Muffin Toaster™ Parts



USING YOUR EGG & MUFFIN TOASTER™

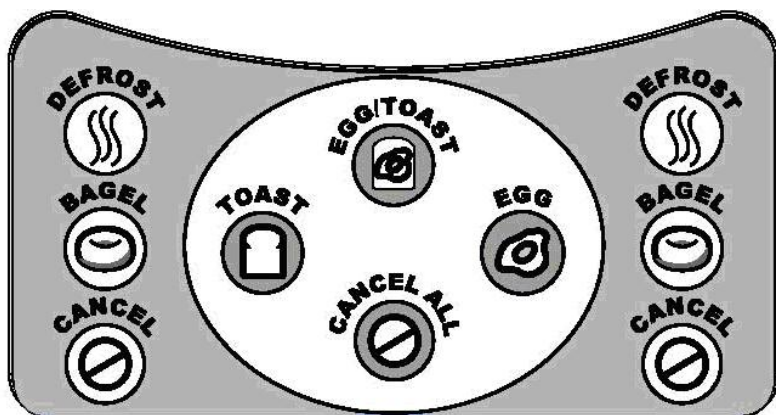
Before using your appliance for the first time, be sure to thoroughly clean it. Make sure the appliance is not plugged into an electrical outlet. Wipe down the exterior of the appliance with a soft, damp cloth. Thoroughly wash the heating tray, steamer tray, poaching trays, warming tray, lid, and poaching tray storage drawer with warm, soapy water. Rinse and dry thoroughly. Do not use abrasive cleaners or scouring pads. **Note:** The poaching trays, warming tray, and the lid can be washed in the dishwasher if placed on the top rack.

- Read all instructions and safety precautions before use.
- Remove all stickers and packaging materials from the machine.
- Be sure the carriage lever is not in the locked down position before plugging in the power cord.

- Before placing any food items in the toaster slots plug in the appliance and select the “TOAST” function and run an initial cycle. Make sure the toasting slots are free of any debris or packing materials. Press the carriage levers down until they lock in to position. This initial toasting cycle will clean residue from the heating elements.
- A small amount of smoke and/or odor may occur upon heating due to the release of manufacturing oils – this is normal.
- Some minor expansion/contraction sounds may occur during heating and cooling – this is normal.

CAUTION: Do not submerge any part of the base appliance (including the heating-tray) in water or any other liquid.

Egg & Muffin Toaster™ Control Buttons



“TOAST” – Operates the toaster only.

“EGG/TOAST” – Operates the toasting and egg poaching/cooking functions together. Specially designed to simultaneously complete both functions.

“EGG”- Operates the egg poaching or egg cooking only.

“CANCEL ALL” – Cancels all functions.

“DEFROST” – Adds approximately 30 seconds to the current browning control setting. **Note:** “BAGEL” and “DEFROST” may be used in any combination with the “TOAST” or “EGG/TOAST” functions.

“BAGEL” – Toasts one side of the bread.

“CANCEL” – Turns the appliance off at any time during the cooking cycle.

Toaster Only Function:

1. Place the appliance on a clean, dry, flat surface.
2. Place an English muffin, bagel, bread, or croissant into one or both sets of the toasting slots.
3. Select the desired level of darkness by adjusting the browning control dial(s).
4. Plug the appliance into a 120 volt, AC electrical outlet **only**.
5. Push the "TOAST" button on the touchpad. The "TOAST" button will flash blue, indicating the function is selected.
6. Press one or both of the carriage levers down until they lock into position. The "TOAST" button will be illuminated solid blue to indicate the toasting cycle is in operation. **Note:** The carriage lever(s) will not stay down if the appliance is not plugged into an electrical outlet.
7. Upon reaching the pre-selected browning level of toast, the toast will automatically "pop up" and the "TOAST" light will turn off.
8. To remove the toast from the toasting slots, push up on the carriage lever. **Note:** Toasted food can be hot. Handle with care when taking toasted food out of the toasting slots.
9. Unplug the appliance from the electrical outlet after each use.

The Cancel Function: Press the corresponding "CANCEL" button(s) to stop the toasting cycle(s) before it is finished. Do not pull up on the carriage lever to stop the toasting process as this may damage the appliance. The "CANCEL ALL" button found in the center of the control panel will stop both toasting cycles.

Egg Poaching Function (for breakfast sandwich):

CAUTION: Use extreme care when operating the egg poacher as hot steam is released through the steam vent.

1. Place the appliance on a clean, dry, flat surface and remove the steamer tray, poaching tray(s), warming tray, and lid. Fill the measuring cup with water to the “soft” or “medium” line above the “POACHED EGG” mark and pour into the heating tray, or add 2 to 2½ tablespoons of water into the heating tray. See the chart below.
2. Place the steamer tray on top of the heating tray.
3. Apply non-stick cooking spray to the poaching tray(s).
4. Break an egg into the poaching tray and place the poaching tray on top of the steamer tray.
5. Break the egg yolk by poking it with a fork. The egg may also be scrambled.
6. Optional: Place pre-cooked meat on the warming tray and stack on top of the poaching tray(s) and the steamer tray. **Note:** Do not attempt to cook fresh meat products: use only pre-cooked meat products.
7. Place the lid on top of the warming tray.
8. Plug the appliance into a 120 volt, AC electrical outlet **only**.
9. Push the “EGG” button on the touchpad. The “EGG” button will illuminate to a solid blue color.
10. When the poaching is complete, the blue light will turn off.
11. Remove the poaching tray(s), warming tray, and lid from the heating tray. **CAUTION:** Remove the trays carefully to avoid scalding.
12. Take the lid off of the warming and poaching trays. Allow the remaining steam to dissipate.
13. Remove the pre-cooked meat and the poached eggs from their respective trays. Assemble a sandwich or enjoy separately.
14. Unplug the appliance from the electrical outlet after each use.

Consistency of Egg	Tbsp. Water
Soft (runny center)	2
Medium (partially cooked center)	2½
Hard (fully cooked center)	3

Egg Cooking Function:

1. Place the appliance on a clean, dry, flat surface and remove the lid, warming tray, and poaching trays from the appliance.
2. Select the cooked consistency, "hard," "medium," or "soft," and the number of eggs to be cooked. The appliance can cook up to 8 eggs at a time.
3. Add the proper amount of water to the heating tray per the number of eggs and desired consistency. Use the provided measuring cup or see the chart below.
4. Rinse the eggs. To prevent the eggs from exploding, puncture each of the eggs with the egg piercer located on the bottom of the measuring cup before placing them in the steamer tray, hole side up.
5. Place the steamer tray, with the eggs, on the heating tray.
6. Place the lid on top of the steamer tray.
7. Plug the appliance into a 120 volt, AC electrical outlet **only**.
8. Push the "EGG" button on the touch pad. The "EGG" button will illuminate to a solid blue color.
9. When cooking is complete, the blue light will turn off.
10. Remove the steamer tray and lid from the heating tray. **CAUTION:** Remove the steamer tray and lid carefully to avoid scalding.
11. Unplug the appliance from the electrical outlet after each use.

Hard Boiled Egg	Soft Cooked	Medium Cooked	Hard Cooked
# of Eggs	Tbsp. Water	Tbsp. Water	Tbsp. Water
1	3½	4½	7
2	3¼	4¼	6¾
3	2¾	3¾	6¼
4	2½	3½	6
5	2½	3½	5
6	2¼	3¼	4¾
7	2	2¾	4¼
8	1¾	2½	4

Poached Egg & Toast Function:

1. Place the appliance on a clean, dry, flat surface and remove the lid, warming tray, poaching pans, and steamer tray from the appliance.
2. Place an English muffin, bagel, bread, or croissant into the toasting slots.
3. Select the desired level of darkness by adjusting the browning control dial(s).
4. Fill the measuring cup with water to the “soft” or “medium” line above the “POACHED EGG” mark and pour into the heating tray, or add 2 to 2½ tablespoons of water directly into the heating tray (See table on page 7).
5. Place the steamer tray on top of the heating tray.
6. Apply non-stick cooking spray to the poaching tray(s).
7. Break an egg into the poaching tray and place the poaching tray on top of the steamer tray.
8. Break the egg yolk by poking it with a fork. The egg may also be scrambled.
9. Place the warming tray on top of the poaching tray(s) and add pre-cooked meat, if desired.
10. Place the lid on top of the warming tray.
11. Plug the appliance into a 120 volt, AC electrical outlet **only**.
12. Push the “EGG/TOAST” button on the touchpad control. The “EGG/TOAST” button will flash blue.
13. Press one or both carriage levers down until locked into position. The “EGG”, “TOAST”, and “EGG/TOAST” buttons will illuminate. **Note:** Neither the egg cooking, or the toasting process will start until at least one, or both of the carriage levers are locked down.

The Egg & Muffin Toaster™ “EGG/TOAST” function enables synchronized toasting and egg cooking. The bread will toast to the color set by the browning control dial but will not “pop up” until the egg cycle has completed. The carriage will remain down keeping the bread warm until the egg(s) have completed cooking.
14. When both the egg cycle and toasting are complete, the appliance will automatically shut off and the toast will automatically “pop up.” The “EGG”, “TOAST”, and “EGG/ TOAST” button lights will no longer be illuminated, which signals the appliance has turned off. **Note:** The egg cooker timing is controlled by the amount of water placed in the heating tray. The more water added, the longer the appliance will cook.
15. To remove the toast from the toasting slots, lift up on the carriage lever and remove the toast.
16. Remove the steamer tray, poaching tray(s), warming tray, and lid from the heating tray. Allow the remaining steam to dissipate. **CAUTION:** Remove the trays carefully to avoid being scalded with steam.
17. Remove the pre-cooked meat and the poached egg from their respective trays. Assemble a sandwich or enjoy separately.
18. Unplug the appliance from the electrical outlet after each use.

CLEANING YOUR EGG & MUFFIN TOASTER™

1. Unplug the appliance from the electrical outlet and allow to cool completely before cleaning.
2. Wipe down the exterior of the appliance with a damp cloth.
3. Thoroughly wash the heating tray, steamer tray, poaching tray(s), warming tray, and the lid in warm, soapy water. Periodically remove the poaching tray storage drawer from the appliance and wipe clean.
4. The steamer tray, poaching tray(s), warming tray and the lid can be washed in the dishwasher when placed on the top rack.
5. The heating tray may accumulate mineral deposits after prolonged use. To remove these deposits add ½ teaspoon of concentrated vinegar and ½ cup of water to the heating tray. With the lid in place, turn on the egg cooker function and allow the solution to boil for approximately 10 minutes. **CAUTION:** The water will be hot!

CAUTION: Do not submerge any part of the appliance base (including the heating-tray) in water or any other liquid.

RECIPES

EGG & MUFFIN SANDWICH

1	English muffin
1	Poached egg
1	Slice of pre-cooked Canadian Bacon, Ham, or Sausage Patty (optional)
1	Slice of Cheddar Cheese

To assemble: Lay the poached egg on top of the English muffin half followed by the pre-cooked meat and then the slice of cheese. Top the sandwich with the other half of the English muffin.

EGGS BENEDICT

2	English muffins, split and open
4	Poached eggs
4	Slices of pre-cooked Canadian Bacon
	Salt and pepper to taste
	Hollandaise sauce to taste (see recipe)

To assemble: Lay a slice of Canadian bacon on top of each English muffin half followed by a poached egg. Season with salt and pepper. Spoon Hollandaise sauce over the eggs.

HOLLANDAISE SAUCE

2	Egg yolks
4 tbs.	Heavy cream
2 tbs.	Butter
1 tbs.	Lemon juice
1 tbs.	White vinegar
	Pinch of salt
	Pinch of sugar
	Chicken-broth (optional)
	Dash of hot sauce

Combine all ingredients except the white vinegar and chicken broth in the top of a double boiler, over boiling water. Stir until thick, about 3 minutes. **Note:** Do not reheat or cover the pot. Thin if needed with the chicken broth. Stir in the vinegar immediately.

EGGS BENEDICT WITH CHICKEN

Prepare Eggs Benedict as directed except omit the Canadian bacon. Cut one skinless, boneless chicken breast into bite-size strips. Add 2 tbs. cooking oil to a medium skillet; cook and stir for 2 to 3 minutes or until no longer pink. Assemble the Eggs Benedict as usual.

EGGS FLORENTINE

2	English muffins, split and open
4	Eggs
	Salt and pepper to taste
	Steamed spinach leaves
	Hollandaise sauce

To assemble: Prepare this just like the Eggs Benedict recipe but replace the Canadian bacon with the spinach leaves. Lay the spinach leaves on top of each English muffin half followed by a poached egg. Season with salt and pepper. Spoon Hollandaise sauce over the eggs.

SMOKED SALMON (LOX) BAGEL

1	Toasted plain bagel (or any bagel you like)
1	Tomato slice (optional)
1	Onion slice
	Thin slices of lox (smoked salmon)
	Plain cream cheese
	Capers

To assemble: Spread cream cheese on one half of the bagel. Add thin slices of smoked salmon on top of the cream cheese. Top with a slice of tomato and onion; sprinkle with capers. Spread the other half of the bagel with cream cheese and place on top.

PRODUCT WARRANTY

Appliance 3 Year Limited Warranty

Focus Electrics, LLC ("Focus Electrics") warrants this appliance from failures in the material and workmanship for three (3) years from the date of original purchase with proof of purchase, provided the appliance is operated and maintained in conformity with the provided Instruction Manual. Any failed part of the appliance will be repaired or replaced without charge at Focus Electrics' discretion. This warranty applies to indoor household use only.

This warranty does not cover any damage, including discoloration, to any non-stick surface of the appliance. This warranty is null and void, as determined solely by Focus Electrics if the appliance is damaged through accident, misuse, abuse, negligence, scratching, or if the appliance is altered in any way.

THIS WARRANTY IS IN LIEU OF ALL IMPLIED WARRANTIES, INCLUDING WARRANTIES OF MERCHANTABILITY, FITNESS FOR A PARTICULAR PURPOSE, PERFORMANCE, OR OTHERWISE, WHICH ARE HEREBY EXCLUDED. IN NO EVENT SHALL FOCUS ELECTRICS BE LIABLE FOR ANY DAMAGES, WHETHER DIRECT, INDIRECT, INCIDENTAL, FORSEEABLE, CONSEQUENTIAL, OR SPECIAL, ARISING OUT OF OR IN CONNECTION WITH THIS APPLIANCE.

If you think the appliance has failed or requires service within its warranty period, please contact the Focus Electrics Customer Service Department at (866) 290-1851 or e-mail us at service@focuselectrics.com. Return shipping fees are non-refundable. A receipt proving original purchase date will be required for all warranty claims. Hand-written receipts are not accepted. Focus Electrics is not responsible for returns lost in transit.

Valid only in USA and Canada

REPLACEMENT PARTS

Replacement parts, if available, may be ordered directly from Focus Electrics online at www.focuselectrics.com, or you may call or e-mail the service department at the number/e-mail address listed above, or by writing to us at:

Focus Electrics, LLC
Attn: Customer Service
P. O. Box 2780
West Bend, WI 53095

Be sure to include the catalog/model number of your appliance (located on the bottom/back of the unit) and a description and quantity of the part you wish to order. Along with this include your name, mailing address, Visa/MasterCard number, expiration date and the name as it appears on the card. Checks can be made payable to Focus Electrics, LLC. Call Customer Service to obtain purchase amount. Your state's sales tax and a shipping/processing fee will be added to your total charge. Please allow two (2) weeks for delivery.

This manual contains important and helpful information regarding the safe use and care of your new Focus Electrics product. For future reference, attach dated sales receipt for warranty proof of purchase and record the following information:

Date purchased or received as gift: _____

Where purchased and price, if known: _____

Item number and Date Code (shown bottom/back of product): _____

Chefscape™

4-FENTES EGG & MUFFIN TOASTER™

Mode d'emploi



Enregistrez ce produit et les autres produits Focus Electrics sur notre site Internet :
www.focuselectrics.com

Précautions Importantes	2
Précautions D'Utilisation	3
Assemblage De Votre EGG & MUFFIN TOASTER™	4
Utilisation De Votre EGG & MUFFIN TOASTER™	4
Nettoyage De Votre EGG & MUFFIN TOASTER™	10
Recettes	11
Garantie	13

CONSERVEZ CE MODE D'EMPLOI POUR UNE CONSULTATION ULTÉRIEURE

© 2008 Chefscape™, une Marque de Focus Electrics, LLC.
www.focuselectrics.com

PRÉCAUTIONS IMPORTANTES



MISE EN GARDE

Pour empêcher toute blessure physique ou tout dommage matériel, lisez et suivez toutes les consignes et mises en garde.

Lorsque vous utilisez des appareils électriques, les précautions de sécurité élémentaires devraient toujours être respectées, notamment :

- Lisez toutes les instructions, notamment les présentes précautions importantes, ainsi que les consignes pour l'entretien de ce manuel.
- Ne touchez pas les surfaces chaudes. Utilisez des poignées rectangulaires ou rondes.
- Pour vous protéger contre les incendies, les chocs électriques et les blessures, n'immergez pas le cordon, les fiches ni toute autre pièce électrique dans l'eau ou dans d'autres liquides.
- Une surveillance étroite est nécessaire lorsque vous cet appareil est utilisé par ou à proximité d'enfants.
- Débranchez toujours l'appareil du secteur lorsque vous ne l'utilisez pas et avant de le nettoyer. Laissez l'appareil refroidir avant la mise en place ou le retrait de pièces et avant tout nettoyage.
- N'utilisez pas cet appareil avec un cordon abîmé ou une fiche détériorée, si l'appareil a connu un dysfonctionnement ou si l'appareil est tombé ou a été détérioré de quelque manière que ce soit. Si vous rencontrer un problème quel qu'il soit avec votre appareil, débranchez-le immédiatement de la prise secteur. Pour des informations sur les réparations, voir la page de garantie.
- L'utilisation d'accessoires non recommandés par Focus Electrics risque de causer un incendie, une électrocution ou des blessures.
- N'utilisez pas cet appareil à l'extérieur.
- Ne laissez pas pendre le cordon du bord du plan de travail ou de la table et assurez-vous qu'il ne touche pas de surface chaude.
- Ne le placez pas sur ou près d'un brûleur à gaz ou électrique chaud ou dans un four chauffé.
- Soyez extrêmement vigilant lorsque vous déplacez un appareil électrique ou un récipient contenant des liquides ou des aliments à haute température.
- Pour débrancher l'appareil, tournez toute commande sur « OFF » puis retirez la fiche de la prise murale.
- N'utilisez pas l'appareil pour une autre utilisation que l'utilisation indiquée.
- Ne mettez pas des morceaux d'aliments trop gros, des feuilles d'emballage métallisées ou des ustensiles métalliques dans le grille-pain car cela entraîne un risque d'incendie ou de choc électrique.
- Un incendie peut se produire si, en cours de fonctionnement, le appareil est couvert ou touche des matériaux inflammables, y compris des rideaux, des doubles-rideaux, des murs et des matières similaires.
- N'essayez pas de déloger des aliments coincés avec le grille-pain branché.

- Cet appareil est pourvu d'une fiche polarisée (une lame est plus large que l'autre). Pour réduire le risque d'électrocution, cette fiche est conçue pour s'encaster dans une prise secteur polarisée dans un sens uniquement. Si la fiche ne s'insère pas complètement dans la prise secteur, retournez la fiche. Si elle ne s'encastre toujours pas, contactez un électricien qualifié. Ne tentez pas de modifier la fiche de quelque manière que ce soit.
- Pour usage domestique **uniquement**.



MISE EN GARDE

Pour empêcher toute blessure physique ou tout dommage matériel, lisez et suivez toutes les consignes et mises en garde.

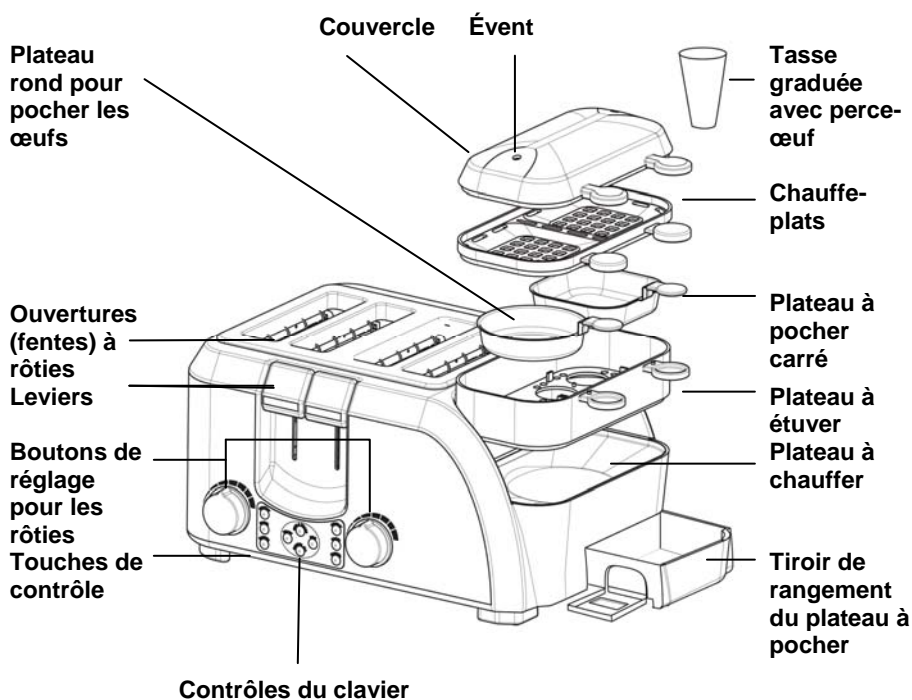
PRÉCAUTIONS D'UTILISATION

- Évitez de faire griller des aliments recouverts de glaçage ou fourrés, qui risqueraient de couler et de prendre feu.
- Ne grillez pas de pâtisseries, de tartes ni tout autre aliment de même type sur un autre réglage que le réglage le plus bas ou le plus léger et ne les grillez jamais deux fois car ces aliments peuvent prendre feu s'ils sont surchauffés et risquent de provoquer un incendie.
- Le fait de ne pas nettoyer puis remettre en place le plateau ramasse-miettes après chaque utilisation peut provoquer un incendie.
- Soulevez et ouvrez le couvercle du cuiseur d'oeufs soigneusement pour éviter l'échaudage.
- Ne tentez pas de faire marcher le cuiseur d'oeufs sans eau dans le réservoir.
- Pour empêcher de renverser le liquide chaud, ne déplacez pas l'appareil après le début du processus de cuisson des œufs.
- Le cordon d'alimentation fourni est court pour réduire les risques qu'une personne se prenne les pieds ou trébuche sur un cordon plus long.
- Des cordons d'alimentations plus longs détachables ou des cordons de rallonge sont disponibles et peuvent être utilisés à condition de faire preuve de prudence lors de leur utilisation. Bien que l'utilisation d'un cordon de rallonge ne soit pas recommandée, si vous devez en utiliser un, la puissance nominale indiquée pour le cordon d'alimentation détachable ou pour le cordon de rallonge devrait être au moins aussi importante que la puissance nominale de l'appareil. Si l'appareil est de type raccordé à la terre, le cordon de rallonge devrait être relié à la terre et composé de trois fils. Le cordon devrait être disposé de manière à ne pas pendre depuis le plan de travail d'où il risque d'être tiré par des enfants ou d'où quelqu'un pourrait s'y prendre les pieds.
- N'essayez pas de réparer cet appareil vous-même.

CONSERVEZ CES CONSIGNES

ASSEMBLAGE DE VOTRE EGG & MUFFIN TOASTER™

Pièces du Egg & Muffin Toaster™



UTILISATION DE VOTRE EGG & MUFFIN TOASTER™

Avant d'utiliser votre appareil pour la première fois, veillez à bien le nettoyer.

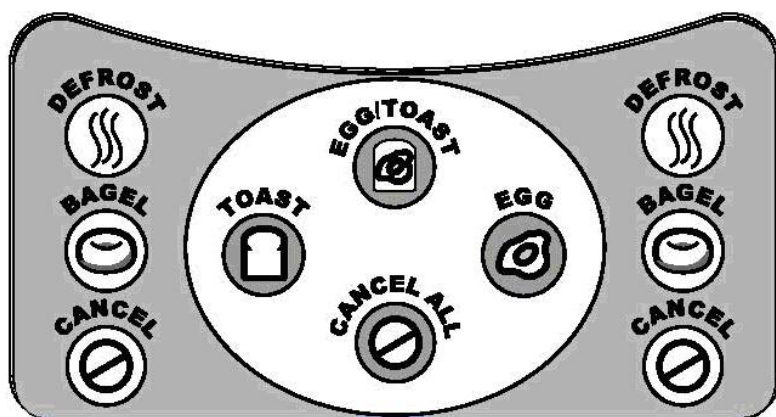
Assurez-vous que l'appareil n'est pas branché au secteur. Passez un chiffon propre humide sur la surface extérieure de l'appareil. Lavez soigneusement les différents plateaux (à chauffer, à étuver, à chauffer les plats et à pocher les œufs), le couvercle et le tiroir à l'eau chaude et savonneuse. Rincez et séchez complètement. **N'utilisez pas de détergents abrasifs ni de tampons à récurer. Remarque :** Le plateau à pocher les œufs, le plateau chauffe-plats et le couvercle vont au lave-vaisselle à condition d'être placés en haut.

- Lisez toutes les instructions et mises en gardes avant d'utiliser ce produit.
- Retirez tous les autocollants et les matériaux d'emballage de l'appareil.
- Assurez-vous que le levier n'est pas abaissé en position verrouillée avant de brancher le cordon au secteur.

- Avant de mettre un aliment dans les fentes du grille-pain, branchez l'appareil et sélectionnez la fonction « TOAST » (Rôties) et faites fonctionner l'appareil pendant un cycle initial. Vérifiez que les fentes à rôties sont propres et qu'il n'y a pas de débris ou de restes d'emballage. Enfoncez le levier du grille-pain jusqu'à ce qu'il s'enclenche. Ce cycle initial permet de nettoyer tous les résidus des éléments de chauffage.
- Il est possible qu'un peu de fumée ou qu'une légère odeur se dégagent pendant le chauffage en raison de la diffusion des huiles de fabrication : c'est tout à fait normal.
- De petits bruits d'expansion/contraction peuvent se produire pendant le chauffage et le refroidissement : c'est tout à fait normal.

ATTENTION : Ne plongez pas la base de l'appareil (y compris le chauffe-plats) dans de l'eau ou un autre liquide.

Boutons de Réglage du Egg & Muffin Toaster™



- « TOAST » – Fait fonctionner le grille-pain seulement.
- « EGG/TOAST » – Fait fonctionner le grille-pain et les fonctions de cuisson/cuisson des œufs. Spécialement conçu pour compléter les deux fonctions en même temps.
- « EGG » – Fait fonctionner les fonctions de cuisson des œufs seulement.
- « CANCEL ALL » – Annule toutes les fonctions.
- « DEFROST » – Ajoute environ 30 secondes au temps correspondant au réglage sélectionné pour le brunissement. **Remarque :** « BAGEL » et « DEFROST » peuvent s'utiliser en combinaison avec les fonctions « TOAST » ou « EGG/TOAST ».
- « BAGEL » – Grillade sur une seule face.
- « CANCEL » – Éteint immédiatement l'appareil quelque soit le cycle de cuisson.

Fonction du grille-pain seulement :

1. Placez ce produit sur une surface propre, sèche et plane.
2. Placez une tranche de pain, un bagel, un muffin ou un croissant dans une ou plusieurs des fentes à rôtir.
3. Sélectionnez un degré de brunissage à l'aide du (des) bouton(s) de réglage.
4. Branchez l'appareil dans une prise secteur de 120 volts CA **uniquement**.
5. Appuyez sur la touche « TOAST » du panneau. La touche « TOAST » clignote en bleu pour indiquer que cette fonction est sélectionnée.
6. Enfoncez un ou deux des leviers du grille-pain jusqu'à ce qu'ils s'enclenchent. La touche « TOAST » reste allumée en bleu pour indiquer que le cycle de la fonction rôtie est en cours. **Remarque** : Les leviers ne restent pas enclenchés si l'appareil n'est pas branché au secteur.
7. Lorsque le niveau de brunissage est atteint, la rôtie ressort automatiquement et le voyant lumineux de la fonction « TOAST » s'éteint.
8. Pour retirer la rôtie de la fente, levez le levier. **Remarque** : Les rôties sont très chaudes. Faites attention quand vous retirez les aliments des fentes.
9. Débranchez l'appareil de la prise électrique après chaque utilisation.

La fonction d'annulation (« Cancel ») : Appuyez sur le bouton « CANCEL » correspondant pour interrompre le cycle de rôtissage. Ne levez pas le levier des rôties pour interrompre le processus car cela pourrait endommager l'appareil. Le bouton « CANCEL ALL » qui se trouve au centre du panneau de commande arrête les deux cycles de rôtissage.

Fonction pour faire des œufs pochés (pour un sandwich au petit-déjeuner) :

ATTENTION : Faites très attention quand vous utilisez la partie pour les œufs pochés car de la vapeur brûlante sort de l'évent (ou orifice à vapeur).

1. Placez l'appareil sur une surface propre, sèche et plane avant de retirer le plateau à étuver, le (les) plateau(x) à pocher les œufs, le chauffe-plats et le couvercle. Remplissez d'eau la tasse graduée jusqu'à la marque *soft* (pour un œuf plus coulant) ou *medium* (pour une cuisson moyenne) au-dessus de la marque « POACHED EGG » puis versez dans le plateau à chauffer, ou ajoutez 2 à 2½ cuillères à soupe d'eau dans le plateau à chauffer. Voir le tableau ci-dessous.
2. Placez le plateau à étuver sur le plateau à chauffer.
3. Recouvrez le (les) plateau(x) à pocher les œufs d'une huile de cuisine anti-adhésive en aérosol.
4. Cassez un œuf et mettez-le dans le plateau à pocher puis placez le plateau à pocher sur le plateau à étuver.
5. Cassez le jaune de l'œuf avec une fourchette. Vous pouvez aussi faire des œufs brouillés.
6. Facultatif : Placez de la viande déjà cuite sur le chauffe-plats et mettez le sur le (les) plateau(x) à pocher qui se trouve(nt) sur le plateau à étuver. **Remarque** : Ne tentez pas d'utiliser cet appareil pour faire cuire de la viande : utilisez seulement de la viande déjà cuite.
7. Placez le couvercle sur le chauffe-plats.
8. Branchez l'appareil dans une prise secteur de 120 volts CA **uniquement**.
9. Appuyez sur la touche « EGG » du panneau. Le bouton « EGG » s'allume en bleu.
10. Lorsque le cycle à pocher est terminé, la lumière bleue s'éteint.
11. Retirez le (les) plateau(x) à pocher, le chauffe-plats et le couvercle du plateau à chauffer. **ATTENTION** : Retirez prudemment les plateaux pour ne pas vous brûler à l'eau chaude.
12. Retirez le couvercle des plateaux. Laissez se dissiper la vapeur.
13. Retirez la viande pré-cuite ou les œufs pochés du plateau où ils se trouvent. Préparez un sandwich ou dégustez sans rien ajouter d'autre.
14. Débranchez l'appareil de la prise électrique après chaque utilisation.

Consistance de l'œuf	C. à soupe Eau
Coulant au centre	2
Mollet (le centre est partiellement solide)	2½
Dur (le centre est complètement solide)	3

Fonction de cuisson des œufs :

1. Placez l'appareil sur une surface propre, sèche et plane avant de retirer le couvercle, le chauffe-plats et les plateaux à pocher de l'appareil.
2. Sélectionnez la consistance « hard » (dur), « medium » (mollet) ou « soft » (coulant) et le nombre d'œufs à cuire. Cet appareil peut cuire jusqu'à 8 œufs à la fois.
3. Ajoutez la quantité d'eau appropriée au plateau à chauffer en fonction du nombre d'œufs et de la consistance souhaitée. Utilisez la tasse graduée fournie ou le tableau ci-dessous.
4. Rincez les œufs. Pour empêcher l'éclatement des œufs, percez chaque œuf avec le perce-œuf situé au fond de la tasse graduée avant de les mettre dans le plateau à étuver, côté percé en haut.
5. Placez le plateau à étuver avec les œufs sur le plateau à chauffer.
6. Placez le couvercle sur le plateau à étuver.
7. Branchez l'appareil dans une prise secteur de 120 volts CA **uniquement**.
8. Appuyez sur la touche « EGG » du panneau. Le bouton « EGG » s'allume en bleu.
9. Lorsque le cycle de cuisson est terminé, la lumière bleue s'éteint.
10. Retirez le plateau à étuver et le couvercle du plateau à chauffer. **ATTENTION :** Retirez prudemment le plateau à étuver pour ne pas vous brûler à l'eau chaude.
11. Débranchez l'appareil de la prise électrique après chaque utilisation.

Œuf cuit	Coulant	Mollet	Dur
Nombre d'œufs	C. à soupe d'eau	C. à soupe d'eau	C. à soupe d'eau
1	3½	4½	7
2	3¼	4¼	6¼
3	2¾	3¾	6¼
4	2½	3½	6
5	2½	3½	5
6	2¼	3¼	4¾
7	2	2¾	4¼
8	1¾	2½	4

Fonction œuf poché et fonction grille-pain :

1. Placez l'appareil sur une surface propre, sèche et plane avant de retirer le couvercle, le chauffe-plats et les plateaux à étuver de l'appareil.
2. Placez un muffin, un bagel, une tranche de pain, ou un croissant dans les fentes à rôtir.
3. Sélectionnez un degré de brunissage à l'aide du (des) bouton(s) de réglage.
4. Remplissez d'eau la tasse graduée jusqu'à la marque *soft* (pour un œuf plus coulant) ou *medium* (pour une cuisson moyenne) au-dessus de la marque « POACHED EGG » puis versez dans le plateau à chauffer, ou ajoutez directement 2 à 2½ cuillères à soupe d'eau dans le plateau à chauffer (Voir le tableau à la page 7).
5. Placez le plateau à étuver sur le plateau à chauffer.
6. Recouvrez le (les) plateau(x) à pocher les œufs d'une huile de cuisine anti-adhésive en aérosol.
7. Cassez un œuf et mettez-le dans le plateau à pocher puis placez le plateau à pocher sur le plateau à étuver.
8. Cassez le jaune de l'œuf avec une fourchette. Vous pouvez aussi faire des œufs brouillés.
9. Placez le chauffe-plats sur le (les) plateau(x) à pocher et ajoutez-y de la viande déjà cuite si vous le souhaitez.
10. Placez le couvercle sur le chauffe-plats.
11. Branchez l'appareil dans une prise secteur de 120 volts CA **uniquement**.
12. Appuyez sur la touche « EGG/TOAST » du panneau de commande. Le bouton « EGG/TOAST » clignote en bleu.
13. Enfoncez un ou deux des leviers du grille-pain jusqu'à ce qu'ils s'enclenchent. Les boutons « EGG », « TOAST » et « EGG/TOAST » s'allument. **Remarque :** Le processus de cuisson des œufs ou de rôtissage ne commencera que si au moins un des leviers est enclenché.
La fonction « EGG/TOAST » du Egg & Muffin Toaster™ permet de faire des rôties et des œufs pochés en même temps. Le pain est rôti à la couleur déterminée par le bouton de réglage du brunissement mais ne ressort que lorsque le cycle de cuisson des œufs se termine. Le mécanisme du grille-pain reste abaissé et garde les rôties chaudes jusqu'à ce que les œufs aient fini de cuire.
14. Quand les deux cycles des rôties et des œufs pochés sont finis, l'appareil s'arrête automatiquement et les rôties sont « éjectées ». Les boutons « EGG », « TOAST » et « EGG/TOAST » s'éteignent, ce qui indique que l'appareil s'est éteint. **Remarque :** Le temps de cuisson des œufs est déterminé par la quantité d'eau placée dans le plateau à chauffer. Plus vous mettez d'eau, plus longtemps dure la cuisson.
15. Pour retirer la rôtie de la fente, levez le levier et retirez-la.
16. Retirez le plateau à étuver, le (les) plateau(x) à pocher, le chauffe-plats et le couvercle du plateau à chauffer. Laissez se dissiper la vapeur. **ATTENTION :** Retirez prudemment les plateaux pour ne pas vous brûler à l'eau chaude.
17. Retirez la viande pré-cuite ou l'œuf poché du plateau où ils se trouvent. Préparez un sandwich ou dégustez nature.
18. Débranchez l'appareil de la prise électrique après chaque utilisation.

NETTOYAGE DE VOTRE EGG & MUFFIN TOASTER™

1. Débranchez l'appareil et laissez-le refroidir complètement avant de le nettoyer.
2. Passez un chiffon propre humide sur la surface extérieure de l'appareil.
3. Lavez soigneusement les différents plateaux (à chauffer, à étuver, à chauffer les plats et à pocher les œufs), le couvercle et le tiroir à l'eau chaude et savonneuse. Retirez régulièrement le tiroir de rangement du plateau à pocher de l'appareil pour le nettoyer en l'essuyant.
4. Les plateaux à étuver, à pocher les œufs et chauffe-plats ainsi que le couvercle vont au lave-vaisselle à condition d' être placés en haut.
5. Des dépôts de minéraux peuvent s'accumuler sur le plateau à chauffer après un certain nombre d'utilisations. Pour retirer ces dépôts, versez ½ cuillère à thé de vinaigre concentré et ½ tasse d'eau dans le plateau à chauffer. Mettez le couvercle en place, mettez en route la fonction de cuisson des œufs et laissez bouillir le vinaigre et l'eau pendant 10 minutes. **ATTENTION** : L'eau sera bouillante!

ATTENTION : Ne plongez aucune partie de la base de l'appareil (y compris le plateau à chauffer) dans de l'eau ou un autre liquide.

RECETTES

SANDWICH ŒUF ET MUFFIN

1	Muffin anglais
1	Œuf poché
1	Tranche de bacon canadien, de jambon ou une galette de saucisse (en option) cuites à l'avance
1	Tranche de fromage cheddar

Préparation : Placez l'œuf poché sur une moitié de muffin, puis ajoutez la tranche de viande déjà cuite et terminez en recouvrant de la tranche de fromage. Finissez le sandwich en recouvrant le tout avec l'autre moitié du muffin.

ŒUFS BÉNÉDICTINE

2	Muffins anglais tranchés en deux
4	Œufs poché
4	Tranches de bacon canadien déjà cuites
	Sel et poivre
	Sauce hollandaise (voir recette)

Préparation : Placez d'abord une tranche de bacon sur chaque moitié de muffin, puis un œuf poché. Ajoutez sel et poivre. Nappez de sauce hollandaise.

SAUCE HOLLANDAISE

2	Jaunes d'œuf
60 ml (4 c. soupe)	Crème épaisse
30 ml (2 c. soupe)	Beurre
15 ml (1 c. soupe)	Jus de citron
15 ml (1 c. soupe)	Vinaigre blanc
	Une pincée de sel
	Une pincée de sucre
	Bouillon de poulet (optionnel)
	Une goutte de sauce au piment fort

Mélangez tous les ingrédients sauf le vinaigre blanc et le bouillon de poulet au bain-marie: l'eau du récipient du bas doit être bouillante. Remuez jusqu'à ce que le mélange devienne épais, soit environ 3 minutes. **Remarque** : Ne réchauffez pas le mélange et ne couvrez pas le récipient du haut. Ajoutez un peu de bouillon de poulet pour diluer, au besoin. Incorporez immédiatement le vinaigre.

ŒUFS BÉNÉDICTINE AU POULET

Préparez les œufs bénédicte comme indiqué mais sans le bacon canadien. Coupez une poitrine de poulet désossée et sans peau en lamelles de la taille d'une bouchée. Ajoutez 2 c. à soupe d'huile de cuisson dans une poêle à frire et sautez 2 à 3 minutes ou jusqu'à la viande ne soit plus rose. Préparez les œufs bénédicte comme d'habitude.

ŒUFS À LA FLORENTINE

2	Muffins anglais tranchés en deux
4	Œufs
	Sel et poivre
	Feuilles d'épinard cuites à l'étuvée
	Sauce hollandaise
Préparation : Préparez tout comme les œufs bénédicte mais remplacez le bacon canadien par des feuilles d'épinard. Placez d'abord les feuilles d'épinard sur chaque moitié de muffin, puis un œuf poché. Ajoutez sel et poivre. Nappez de sauce hollandaise.	

BAGEL AU SAUMON FUMÉ (LOX)

1	Un bagel ordinaire rôti (ou tout autre type de bagel, au goût)
1	Tranche de tomate (facultatif)
1	Tranche d'oignon
	Tranches fines de saumon fumé (lox)
	Fromage à la crème ordinaire
	Câpres
Préparation : Étalez du fromage à la crème sur une moitié de bagel. Placez les fines tranches de saumon sur le fromage à la crème. Placez par-dessus une tranche de tomate, une tranche d'oignons et quelques câpres. Étalez du fromage à la crème sur l'autre moitié de bagel et fermez le sandwich.	

GARANTIE DU PRODUIT

Garantie limitée d'3 an de l'appareil

Focus Electrics, LLC garantit cet appareil contre tout défaut de pièce et de main d'œuvre pendant trois (3) an à compter de la date d'achat d'origine avec un justificatif d'achat à condition que l'appareil soit utilisé et entretenu conformément avec le Mode d'emploi de Focus Electrics. Toute pièce défectueuse de l'appareil sera réparée ou remplacée sans frais à la discrétion de Focus Electrics. Cette garantie s'applique en cas d'utilisation domestique en intérieur uniquement.

La présente garantie ne couvre aucun dommage, notamment la décoloration, de toute surface antiadhésive de l'appareil. Cette garantie est nulle et non avenue, tel que déterminé uniquement par Focus Electrics si l'appareil est détérioré à la suite d'un accident, d'une mauvaise utilisation, d'une utilisation abusive, d'une négligence, d'une rayure ou si l'appareil est modifié de toute manière.

LA PRÉSENTE GARANTIE ANNULE ET REMPLACE TOUTE GARANTIE INDIUITE, NOTAMMENT LES GARANTIES DE COMMERCIALISATION, D'ADAPTATION À UN USAGE PARTICULIER, DE PERFORMANCE, OU AUTRE QUI SONT ICI EXCLUES. EN AUCUN CAS FOCUS ELECTRICS. NE POURRA ÊTRE TENUE POUR RESPONSABLE DE TOUT DOMMAGE, QUE CELUI-CI SOIT DIRECT, INDIRECT, INDUIT, PRÉVISIBLE, SECONDAIRE OU PARTICULIER, RÉSULTANT DE L'UTILISATION DE OU EN RELATION AVEC CET APPAREIL.

Si vous pensez que cet appareil est défectueux ou nécessite des réparations pendant la durée de sa garantie, veuillez contacter le Service clientèle de Focus Electrics au (866) 290-1851 ou nous envoyer un e-mail à service@focuslectrics.com. Les frais de transport de retour ne sont pas remboursables. Une facture justifiant la date d'achat d'origine sera nécessaire pour toute demande dans le cadre de la garantie. Les factures manuscrites ne sont pas acceptées. Focus Electrics n'est pas responsable pour les retours perdus pendant le transport.

Valide uniquement aux USA et au Canada

PIECES DE RECHANGE

Les pièces de rechange, lorsque celles-ci sont disponibles, peuvent être commandées directement auprès de Focus Electrics en ligne sur www.focuslectrics.com. Ou vous pouvez téléphoner ou adresser un e-mail au service des réparations au numéro/à l'adresse e-mail ci-dessus, ou en nous écrivant à :

Focus Electrics, LLC
Attn: Customer Service
P. O. Box 2780
West Bend, WI 53095

Assurez-vous d'indiquer le numéro de catalogue/modèle de votre appareil (situé au bas/dos de l'appareil) et une description ainsi qu'une quantité pour la pièce que vous souhaitez commander. Joignez à ces informations votre nom, votre adresse postale, votre numéro de carte Visa/MasterCard, la date d'expiration et le nom du titulaire tel qu'il apparaît sur la carte. Les chèques peuvent être libellés à l'ordre de Focus Electrics, LLC. Appelez le Service clientèle pour obtenir le montant de l'achat. La taxe commerciale de votre état et des frais de transport/traitement seront ajoutés à votre facturation totale. Veuillez autoriser deux (2) semaines pour la livraison.

Ce manuel contient des informations importantes et utiles concernant l'utilisation et l'entretien sans danger de votre nouveau produit Focus Electrics. Pour une consultation ultérieure, fixez le ticket de caisse daté pour avoir un justificatif d'achat pour la garantie et indiquez les informations ci-dessous:

Date d'achat ou de réception en cadeau : _____

Lieu d'achat et prix, si connu : _____

Numéro de l'article et Code de date (indiqué au bas/dos du produit) : _____

Chefscape™

TOSTADOR & SANDWICHERA™ DE 4 RANURAS

Manual de instrucciones



Registre éste y otros productos de Focus Electrics en nuestro sitio:
www.focuselectrics.com en Internet

Precauciones Importantes.....	2
Precauciones de Funcionamiento	3
Ensambladura de la Tostadora de Molletes y Huevos	4
Cómo Usar la Tostadora de Molletes y Huevos y.....	4
Limpieza de la Tostadora de Molletes y Huevos	10
Recetas	11
Garantía	13

CONSERVE ESTE MANUAL DE INSTRUCCIONES PARA FUTURAS CONSULTAS

© 2008 Chefscape™, una Marca de Focus Electrics, LLC.
www.focuselectrics.com

PRECAUCIONES IMPORTANTES



PRECAUCIÓN

Para evitar lesiones personales o daños materiales, lea y acate todas las instrucciones y advertencias.

Al utilizar artefactos electrodomésticos, siempre deben acatarse las precauciones básicas de seguridad incluyendo las siguientes:

- Lea todas las instrucciones, incluso estas precauciones importantes, así como las instrucciones de uso y cuidado en este manual.
- No toque las superficies calientes. Use las agarraderas o las perillas.
- Como protección contra fuegos, descargas eléctricas y lesiones a las personas, nunca sumerja el cordón eléctrico, los enchufes o cualquier parte eléctrica en agua u otros líquidos.
- Se requiere de supervisión adulta cuando cualquier artefacto electrodoméstico sea usado por o cerca de niños.
- Siempre desenchufe el artefacto del tomacorriente cuando no esté en uso y antes de limpiarlo. Deje que se enfrie antes de poner o quitar alguna parte, y antes de limpiar.
- No haga funcionar este artefacto electrodoméstico con el cordón eléctrico o el enchufe dañado, después que el artefacto llegase a funcionar mal, o si el artefacto se ha dejado caer o se ha dañado de alguna manera. Si usted experimenta algún problema con su máquina, desenchúfela inmediatamente del tomacorriente. Para información relativa al servicio de reparaciones vea la página de garantías.
- El uso de accesorios no recomendados por Focus Electrics puede causar incendios, descargas eléctricas o lesiones personales.
- No use este aparato a la intemperie.
- No permita que el cordón eléctrico cuelgue del borde de un mostrador, mesa u otra superficie, o que toque superficies calientes.
- No coloque el aparato sobre ni cerca de un quemador a gas o eléctrico, ni tampoco en un horno calentado.
- Mantenga mucho cuidado cuando mueva el artefacto mientras contenga comida o líquidos calientes.
- Para desconectar, coloque cualquier control en la posición "OFF" (apagado), y luego desenchufe del tomacorriente.
- No utilice el aparato para usos distintos del indicado.
- Alimentos de gran tamaño, paquetes de hoja metálica o utensilios metálicos no deben ser insertados en una tostadora ya que puede implicar un riesgo de incendio o descarga eléctrica.
- Puede producirse un incendio si el aparato se usa mientras está cubierto o si entra en contacto con materiales inflamables incluyendo cortinas, tapices, paredes y materiales afines.
- No retire el alimento cuando el tostador esté enchufado.

- Este artefacto tiene un enchufe polarizado (una clavija es más ancha que la otra). Para reducir el riesgo de descarga eléctrica, este enchufe está diseñado para encajar de una sola manera en un tomacorriente polarizado. Invierta el enchufe si éste no encaja completamente en el tomacorriente o en el cable de extensión. Si todavía no encaja, póngase en contacto con un electricista calificado. No trate de modificar el enchufe de manera alguna.
- Para uso doméstico en interiores **solamente**.



PRECAUCIÓN

Para evitar lesiones personales o daños materiales, lea y acate todas las instrucciones y advertencias.

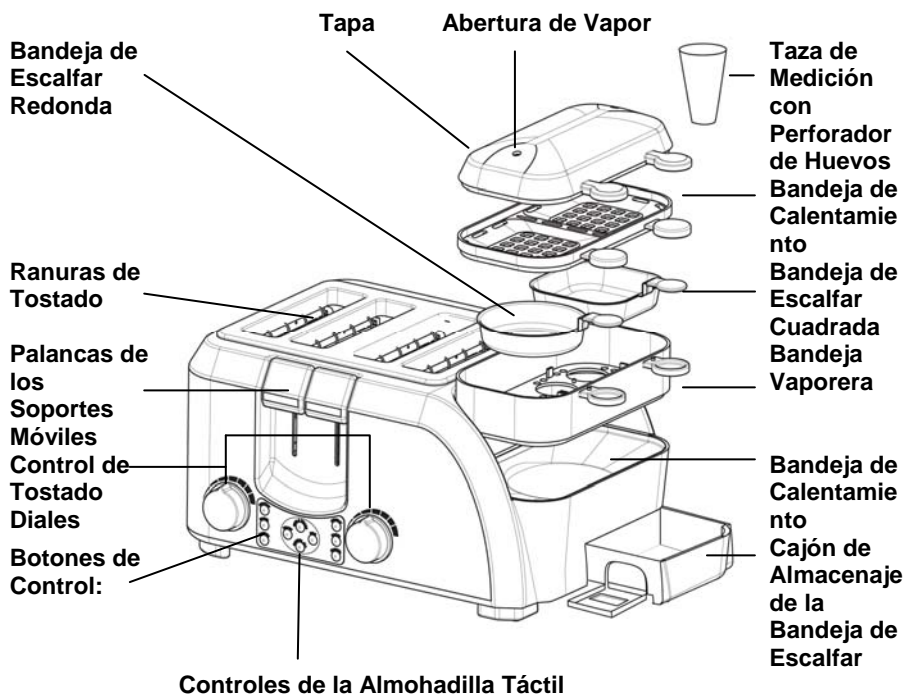
PRECAUCIONES DE FUNCIONAMIENTO

- Evite tostar alimentos que contengan betunes o rellenos que puedan escurrir, o cuyos rellenos estén a la vista. Dichos betunes y rellenos pueden quemarse y causar incendios.
- No tueste pastelitos, tartas y otros por el estilo en ningún ajuste que no sea el más bajo o el ajuste de tostado más claro y nunca los tueste dos veces ya que si se recalientan pueden encenderse y causar un incendio.
- El no limpiar y cambiar la bandeja de migas después de cada uso puede causar un riesgo de incendio.
- Con cuidado levante y abra la tapa del cocinador de huevos para evitar escaldaduras.
- No intente hacer funcionar el escalfador de huevos sin agua en el tanque.
- Para prevenir que se derrame el líquido caliente, no mueva el artefacto electrodoméstico una vez que el proceso de escalfado haya comenzado.
- Se suministra un cordón eléctrico corto para reducir los riesgos que resultan de enredarse o tropezarse con un cordón eléctrico más largo.
- Hay disponibles cordones de alimentación eléctrica desmontables más largos o extensiones eléctricas y pueden ser utilizados si se ejerce cuidado al usarlos. Mientras el uso de una extensión eléctrica no es recomendado, si usted debe usar una, la capacidad eléctrica nominal marcada en el cordón desmontable de alimentación eléctrica o la extensión eléctrica deberá ser al menos la misma que la capacidad eléctrica nominal del artefacto electrodoméstico. Si el artefacto electrodoméstico es del tipo conectado a tierra, la extensión eléctrica deberá ser un cordón eléctrico de 3 hilos con conexión a tierra. El cordón eléctrico debería ser extendido de tal manera que no pase sobre encimeras o mesas donde pueda ser tirado por niños o tropezarse con el mismo.
- No trate de reparar este artefacto electrodoméstico usted mismo.

CONSERVE ESTAS INSTRUCCIONES

ENSAMBLADURA DE LA TOSTADORA DE MOLLETES Y HUEVOS “EGG & MUFFIN TOASTER™”

Partes de la Tostadora de Molletes y Huevos “Egg & Muffin Toaster™”



CÓMO USAR LA TOSTADORA DE HUEVOS Y MOLLETES “EGG & MUFFIN TOASTER™”

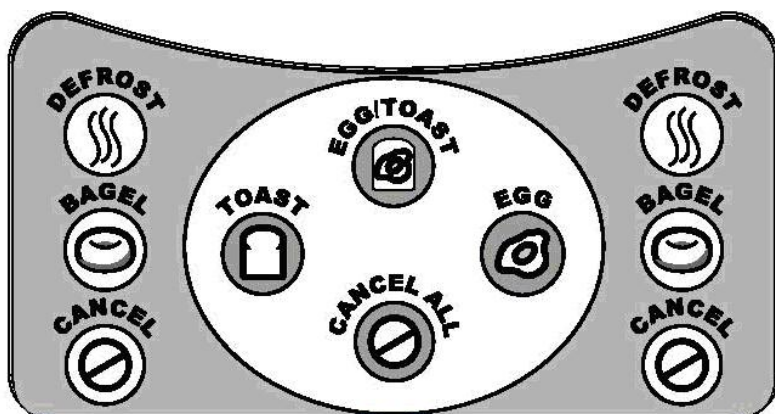
Antes de usar el artefacto electrodoméstico por primera vez, asegúrese de limpiarlo a fondo. Asegúrese de que el artefacto electrodoméstico no esté enchufado a un tomacorriente. Limpie el exterior del artefacto electrodoméstico con un paño suave y húmedo. Lave a fondo la bandeja de calentamiento, la bandeja vaporera, la bandejas de escalfar, la bandeja de calentamiento, la tapa, y el cajón de almacenaje de bandeja de escalfar con agua tibia jabonosa. Enjuague y seque a fondo. No use limpiadores abrasivos o esponjas metálicas. **Nota:** Las bandejas de escalfar, la bandeja de calentamiento y la tapa pueden ser lavadas en el lavavajillas si se colocan en la rejilla superior.

- Antes de usar, lea todas las instrucciones y medidas de seguridad.
- Retire todas las etiquetas adhesivas y materiales de embalaje de la máquina.
- Asegúrese de que la palanca del soporte móvil no esté trancada en la posición inferior antes de enchufar el cordón eléctrico.

- Antes de colocar cualquier artículo de alimento en las ranuras de la tostadora enchufe el artefacto electrodoméstico y seleccione la función "TOAST" (tostar) y opere un ciclo inicial. Asegúrese de que las ranuras de tostado estén sin basura de ningún tipo o materiales de empaque. Presione las palancas de los soportes móviles hasta que queden trancadas en posición. Este ciclo de tostado inicial limpiará los residuos que puedan haber en los elementos calentadores.
- Una pequeña cantidad de humo y/o olor puede ocurrir al calentarse debido a la liberación de aceites usados en la fabricación – esto es normal.
- Algunos sonidos menores de extensión/contracción pueden ocurrir durante el calentamiento y enfriamiento – esto es normal.

PRECAUCIÓN: No sumerja ninguna parte del artefacto electrodoméstico (incluso la bandeja de calentamiento) bajo agua o cualquier otro líquido.

Botones de Control de la tostadora de molletes y huevos "Egg & Muffin Toaster™"



"TOAST" (tostar) – Hace funcionar a la tostadora sola.

"EGG/TOAST" (huevo/tostar) – Hace funcionar conjuntamente las funciones de tostar y de escalfar/cocinar huevos. Especialmente diseñada para completar ambas funciones simultáneamente.

"EGG" (huevo) - Hace funcionar sólo el escalfado o cocción de los huevos.

"CANCEL ALL" (anular todo) – Anula todas las funciones.

"DEFROST" (descongelar) – Añade aproximadamente 30 segundos al ajuste actual de control de tostado. **Nota:** Las funciones "BAGEL" y "DEFROST" pueden ser usadas en cualquier combinación con las funciones "TOAST" o "EGG/TOAST".

"BAGEL" (bagel) – Tuesta un lado del pan.

"CANCEL" (anular) – Apaga el artefacto electrodoméstico en cualquier momento durante el ciclo de cocción.

Función de Sólo Tostar:

1. Coloque el artefacto electrodoméstico sobre una superficie limpia, seca y a nivel.
2. Coloque un mollete inglés, bagel, pan o croissant en uno o ambas ranuras de tostado.
3. Seleccione el nivel deseado de tostado ajustando el/los dial(es) de control de tostado.
4. Enchufe el artefacto **solamente** a un tomacorriente de corriente alterna de 120 voltios.
5. Presione el botón de "TOAST" (tostar) en la almohadilla táctil. El botón "TOAST" centeará en color azul, indicando que la función está seleccionada.
6. Presione hacia abajo una o ambas de palancas de los soportes móviles hasta que encajen en su lugar. El botón "TOAST" se iluminará fijamente de azul para indicar que el ciclo de tostado está en operación. **Nota:** La(s) palanca (s) de los soportes móviles no se quedaran bajadas si el artefacto electrodoméstico no está enchufado a un tomacorriente.
7. Al alcanzar el nivel de tostado preseleccionado, la tostada "saltará" automáticamente y la luz "TOAST" se apagará.
8. Para retirar la tostada de las ranuras de tostado, empuje hacia arriba la palanca del soporte móvil. **Nota:** El alimento tostado puede estar caliente. Manipule el alimento tostado con cuidado al sacarlo de las ranuras de tostado.
9. Desenchufe el artefacto electrodoméstico del tomacorriente después de cada uso.

Función CANCEL (anular): Apriete el botón "CANCEL" correspondiente para parar el ciclo de tostado antes de que éste termine. No hale la palanca del soporte móvil hacia arriba para parar el proceso de tostado ya que ello pudiera dañar el artefacto electrodoméstico. El botón "CANCEL ALL" (anular todo) que se encuentra en el centro del panel de controles parará ambos ciclos de tostado.

Función de Escalfar Huevos (para sándwich de desayuno):

PRECAUCIÓN: Tenga extremo cuidado al hacer funcionar la función de escalfar huevos ya que se libera vapor caliente por la abertura de vapor.

1. Coloque el artefacto electrodoméstico sobre una superficie limpia, seca y a nivel y retire la bandeja vaporera, la(s) bandeja(s) de escalfar, la bandeja de calentamiento y la tapa. Llene la taza de medición con el agua a la línea "soft" (blando) o "medium" (medio) encima de la marca "POACHED EGG" (huevo escalfado) y viértala en la bandeja de calentamiento, o añada 2 a 2 ½ cucharadas de agua a la bandeja de calentamiento. Vea la tabla abajo.
2. Coloque la bandeja vaporera encima de la bandeja de calentamiento.
3. Aplique spray de cocina antiadherente a la(s) bandeja(s) de escalfar.
4. Rompa un huevo en la bandeja de escalfar y coloque la bandeja de escalfar encima de la bandeja vaporera.
5. Rompa la yema pinchándola con un tenedor. El huevo también puede ser revuelto.
6. Opcional: Coloque fiambres en la bandeja de calentamiento y coloque ésta última encima de la(s) bandeja(s) de escalfar y la bandeja vaporera. **Nota:** No intente cocinar productos de carne cruda: use sólo fiambres ya precocidos.
7. Coloque la tapa encima de la bandeja de calentamiento.
8. Enchufe el artefacto **solamente** a un tomacorriente de corriente alterna de 120 voltios.
9. Presione el botón "EGG" (huevo) en la almohadilla táctil. El botón "EGG" se iluminará de color azul continuo.
10. Al terminarse de escalfar, la luz azul se apagará.
11. Retire la(s) bandeja(s) de escalfar, la bandeja de calentamiento y la tapa de la bandeja de calentamiento. **PRECAUCIÓN:** Retire las bandejas con cuidado para evitar escaldarse.
12. Quite la tapa del calentamiento y las bandejas de escalfar. Permita que el vapor restante se disipe.
13. Retire el fiambre y los huevos escalfados de sus bandejas respectivas. Prepare un sándwich o disfrútelos por separado.
14. Desenchufe el artefacto electrodoméstico del tomacorriente después de cada uso.

Consistencia del Huevo	Cucharadas de Agua
Blando (centro líquido)	2
Medio (centro parcialmente cocinado)	2½
Duro (centro totalmente cocinado)	3

Función de Cocer Huevos:

1. Coloque el artefacto electrodoméstico sobre una superficie limpia, seca y a nivel y retire la(s) bandeja(s) de escalfar, la bandeja de calentamiento y la tapa del mismo.
2. Seleccione la consistencia del huevo cocido, "duro", "medio" o "blando", y el número de huevos a ser cocidos. El artefacto electrodoméstico puede cocer hasta 8 huevos a la vez.
3. Añada la cantidad apropiada de agua a la bandeja de calentamiento según el número de huevos y la consistencia deseada. Use la taza de medición proporcionada o vea la tabla abajo.
4. Enjuague los huevos. Para impedir que los huevos exploten, pinche cada uno de los huevos con el perforador de huevos localizado en el fondo de la taza de medición antes de colocarlos en la bandeja vaporera, con el agujero hacia arriba.
5. Coloque la bandeja vaporera, con los huevos, en la bandeja de calentamiento.
6. Coloque la tapa encima de la bandeja de calentamiento.
7. Enchufe el artefacto **solamente** a un tomacorriente de corriente alterna de 120 voltios.
8. Presione el botón "EGG" (huevo) en la almohadilla táctil. El botón "EGG" se iluminará de color azul continuo.
9. Al completarse la cocción, la luz azul se apagará.
10. Retire la bandeja vaporera y la tapa de la bandeja de calentamiento.
PRECAUCIÓN: Retire con cuidado la bandeja vaporera y la tapa para evitar escaldarse.
11. Desenchufe el artefacto electrodoméstico del tomacorriente después de cada uso.

Huevo duro	Cocido Blando	Cocido Medio	Cocido Duro
No. de Huevos	Cdas. de Agua	Cdas. de Agua	Cdas. de Agua
1	3½	4½	7
2	3¼	4¼	6¾
3	2¾	3¾	6¼
4	2½	3½	6
5	2½	3½	5
6	2¼	3¼	4¾
7	2	2¾	4¼
8	1¾	2½	4

Función de Tostar y Escalfar Huevos:

1. Coloque el artefacto electrodoméstico sobre una superficie limpia, seca y a nivel y retire la tapa, la bandeja de calentamiento, las bandejas de escalfar y la bandeja vaporera.
2. Coloque el mollete inglés, bagel pan, o croissant en las ranuras de tostado.
3. Seleccione el nivel deseado de tostado ajustando el/los dial(es) de control de tostado.
4. Llene la taza de medición con el agua a la línea "soft" (blando) o "medium" (medio) encima de la marca "POACHED EGG" (huevo escalfado) y viértala en la bandeja de calentamiento, o añada 2 a 2 ½ cucharadas de agua a la bandeja de calentamiento (Ver la tabla en la página 7).
5. Coloque la bandeja vaporera encima de la bandeja de calentamiento.
6. Aplique spray de cocina antiadherente a la(s) bandeja(s) de escalfar.
7. Rompa un huevo en la bandeja de escalfar y coloque la bandeja de escalfar encima de la bandeja vaporera.
8. Rompa la yema pinchándola con un tenedor. El huevo también puede ser revuelto.
9. Coloque la bandeja de calentamiento encima de la(s) bandeja(s) de escalfar y añádale fiambres, si así lo desea.
10. Coloque la tapa encima de la bandeja de calentamiento.
11. Enchufe el artefacto **solamente** a un tomacorriente de corriente alterna de 120 voltios.
12. Presione el botón "EGG/TOAST" (huevo/tostada) en el control de almohadilla táctil. El botón "EGG/TOAST" destellará en color azul.
13. Presione hacia abajo una o ambas palancas de los soportes móviles hasta quedar trancada(s) en posición. Los botones "EGG", "TOAST" y "EGG/TOAST" se iluminarán. **Nota:** Ni la cocción de huevos ni el proceso de tostado comenzarán hasta que al menos una o ambas palancas de los soportes móviles esté trancada en la posición de abajo.

La función del tostador de molletes y huevos "Egg & Muffin Toaster™" permite el tostado y la cocción de huevos sincronizados. El pan se tostará al grado ajustado en el dial de control de tostado, pero no "saltará" hasta que el ciclo del huevo se haya completado. El soporte móvil permanecerá abajo para mantener al pan caliente hasta que el/los huevo(s) se hayan completado de cocer.

14. Cuando tanto el ciclo del huevo como el del tostado se hayan completado, el artefacto electrodoméstico se apagará automáticamente y la tostada "saltará" automáticamente. Las luces de los botones "EGG", "TOAST" y "EGG/TOAST" ya no estarán iluminadas, lo cual indica que el artefacto electrodoméstico se ha apagado. **Nota:** El cronometraje del cocinador de huevos está controlado por la cantidad del agua colocada en la bandeja de calentamiento. Mientras más agua se agregue, más tiempo durará el artefacto cocinando.
15. Para retirar la tostada de las ranuras de tostado, levante la palanca del soporte móvil y retire la tostada.
16. Retire la bandeja vaporera, la(s) bandeja(s) de escalfar, la bandeja de calentamiento y la tapa de la bandeja de calentamiento. Permita que el vapor restante se disipe. **PRECAUCIÓN:** Retire las bandejas con cuidado para evitar ser escaldado con el vapor.
17. Retire los fiambres y los huevos escalfados de sus bandejas respectivas. Prepare un sándwich o disfrútelos por separado.
18. Desenchufe el artefacto electrodoméstico del tomacorriente después de cada uso.

LIMPIEZA DE LA TOSTADORA DE MOLLETES Y HUEVOS “EGG & MUFFIN TOASTER™”

1. Desenchufe el artefacto del tomacorriente y permita que se enfríe completamente antes de limpiarlo.
2. Limpie el exterior del artefacto electrodoméstico con un paño suave y húmedo.
3. Lave a fondo la bandeja de calentamiento, la bandeja vaporera, la(s) bandeja(s) de escalfar, la bandeja de calentamiento y la tapa en agua tibia y jabonosa. Periódicamente retire al cajón de almacenaje de la bandeja de escalfar del artefacto electrodoméstico y límpiela con un paño.
4. La bandeja vaporera, la bandeja (s) de escalfar, la bandeja de calentamiento y la tapa pueden ser lavadas en el lavavajillas siempre y cuando se coloquen en la rejilla superior.
5. La bandeja de calentamiento puede acumular depósitos minerales después de un uso prolongado. Para eliminar estos depósitos añada ½ cucharadita de vinagre concentrado y ½ taza del agua a la bandeja de calentamiento. Con la tapa su lugar, encienda la función de cocinar huevos y permita que la solución hierva durante aproximadamente 10 minutos. **PRECAUCIÓN:** ¡El agua estará caliente!

PRECAUCIÓN: No sumerja ninguna parte del artefacto electrodoméstico (incluso la bandeja de calentamiento) bajo agua o cualquier otro líquido.

RECETAS

HUEVO Y SÁNDWICH DE MOLLETE

1	Mollete inglés
1	Huevo escalfado
1	Rebanada de Tocino Canadiense, Jamón o Fritura de Carne de Salchicha (opcional)
1	Rebanada de Queso de Queso Cheddar

Preparación: Coloque el huevo escalfado encima de la mitad de mollete inglés seguido del fiambre y luego la rebanada de queso. Tape el sándwich con la otra mitad del mollete inglés.

HUEVOS BENEDICT

2	Molletes ingleses, picados por la mitad y abiertos
4	Huevos escalfados
4	Rebanadas de Tocino Canadiense
	Sal y pimienta al gusto
	Salsa holandesa al gusto (ver la receta)

Preparación: Ponga una rebanada de tocino canadiense encima de cada mitad de mollete inglés seguido de un huevo escalfado. Sazone con sal y pimienta. Con una cuchara, vierta la salsa holandesa sobre los huevos.

SALSA HOLANDESA

2	Yemas de huevo
4 cdas.	Crema doble
2 cdas.	Mantequilla
1 cdas.	Jugo de limón
1 cdas.	Vinagre blanco
	Pizca de sal
	Pizca de azúcar
	Caldo de pollo (opcional)
	Gota de salsa picante

Combine todos los ingredientes excepto el vinagre blanco y caldo de pollo en la parte superior de un baño de Maria, sobre agua hirviente. Remueva hasta quedar espero, aproximadamente unos 3 minutos. **Nota:** No caliente de nuevo ni cubra el pote. De ser necesario, diluya con el caldo de pollo. Vierta y remueva el vinagre inmediatamente..

HUEVOS BENEDICT CON POLLO

Prepare Huevos Benedict como se indica excepto que omita el tocino canadiense. Corte una pechuga de pollo deshuesada y sin piel en tiras del tamaño de un bocado. Añada 2 cdas. de aceite de cocina a una sartén de tamaño medio; cocine y remueva durante 2 a 3 minutos o hasta que ya no esté de color rosado. Arme los Huevos Benedict como de costumbre.

HUEVOS A LA FLORENTINA

2	Molletes ingleses, picados por la mitad y abiertos
4	Huevos
	Sal y pimienta al gusto
	Hojas de espinaca cocidas al vapor
	Salsa holandesa

Preparación: Prepare esto de la misma manera que la receta de los Huevos Benedict, pero use hojas de espinaca en vez de tocino canadiense. Ponga las hojas de espinaca encima de cada mitad de mollete inglés seguido de un huevo escalfado. Sazone con la sal y pimienta. Con una cuchara, vierta la salsa holandesa sobre los huevos.

SALMÓN AHUMADO (SALMÓN CURADO) BAGEL

1	Bagel sencillo tostado (o cualquier bagel que le guste)
1	Rebanada de tomate (opcional)
1	Rebanada de cebolla
	Rebanadas delgadas de salmón curado (salmón ahumado)
	Queso crema sencillo
	Alcaparras

Preparación: Unte el queso crema sobre una mitad del bagel. Añada rebanadas delgadas de salmón ahumado encima del queso crema. Corone con una rebanada de tomate y cebolla; esparza las alcaparras. Unte queso crema en la otra mitad del bagel y colóquelo encima.

GARANTÍA DEL PRODUCTO

Garantía limitada de 3 año del artefacto electrodoméstico

Focus Electriccs, LLC ("Focus Electriccs") garantiza que este aparato no presentará fallas de material ni fabricación durante un (3) tres a partir de la fecha original de compra con prueba de dicha compra, siempre y cuando el aparato sea operado y mantenido tal como se indica en el manual de instrucciones provisto. Toda pieza del aparato que presente fallas será reparada o reemplazada sin costo alguno a criterio de Focus Electriccs. Esta garantía rige solamente para el uso domestico dentro de la casa.

Esta garantía no cubre ningún daño, incluyendo la decoloración, de superficie antiadherente alguna del aparato electrodoméstico. Esta garantía es nula y sin valor, según lo determine exclusivamente Focus Electriccs si el artefacto electrodoméstico es dañado a causa de accidente, mal uso, abuso, negligencia, rayaduras, o si el artefacto electrodoméstico es cambiado de algún modo.

ESTA GARANTÍA REEMPLAZA A TODAS LAS DEMÁS GARANTÍAS IMPLÍCITAS, INCLUYENDO AQUÉLLAS DE COMERCIABILIDAD, IDONEIDAD PARA UN FIN O USO EN PARTICULAR, DESEMPEÑO, U OTROS TIPOS, LAS CUALES QUEDAN EXCLUIDAS MEDIANTE EL PRESENTE DOCUMENTO. FOCUS ELECTRICS RECHAZA TODA RESPONSABILIDAD POR DAÑOS, YA SEAN DIRECTOS, INDIRECTOS, INCIDENTALES, PREVISIBLES, CONSECUENTES O ESPECIALES QUE SURJAN DE ESTE APARATO ELECTRODOMÉSTICO O GUARDEN RELACIÓN CON EL MISMO.

Si piensa que el artefacto electrodoméstico se ha dañado o requiere de servicio dentro de su período de garantía, por favor póngase en contacto con el Departamento de Atención al Cliente de Focus Electriccs por el (866) 290-1851 o contáctenos por correo electrónico a la service@focuselectrics.com. Los gastos de devolución no son reembolsables. Para todas las reclamaciones de garantía, se requerirá un recibo que demuestre la fecha de compra original. Los recibos escritos a mano no son aceptados. Focus Electriccs no se hace responsable de las devoluciones perdidas en tránsito.

Válido sólo en EE.UU. y Canadá

REPUESTOS

Las partes de repuestos, si están disponibles, pueden pedirse directamente en línea a Focus Electriccs en www.focuselectrics.com, o puede llamar o enviar un correo electrónico al departamento de servicio al número telefónico o dirección de correo electrónico arriba indicados, o escribiéndonos a:

Focus Electriccs, LLC
Attn: Customer Service
P. O. Box 2780
West Bend, WI 53095

Cerciórese de incluir el número de catálogo/modelo del aparato electrodoméstico (situado en la parte inferior/posterior de la unidad) así como la descripción y la cantidad de repuestos que necesita. Junto con esta información, incluya su nombre, dirección postal, número de tarjeta de crédito Visa o MasterCard, la fecha de vencimiento y el nombre tal como aparece en la tarjeta. Los cheques pueden ser pagaderos a Focus Electriccs, LLC. Llame al Departamento de Atención al Cliente para obtener el monto de la compra. Se sumará al total el impuesto de venta estatal que corresponda, más un cargo por despacho y procesamiento. La entrega tarda dos (2) semanas.

Este manual contiene información importante y útil sobre el uso seguro y el cuidado de su nuevo producto Focus Electriccs. Para su propia referencia, archive aquí el recibo fechado que sirve de comprobante de compra para la garantía, y anote la siguiente información:

Fecha en que compró o recibió la unidad como regalo: _____

Dónde se efectuó la compra y el precio, si lo sabe: _____

Número y código de fecha del producto (aparece en la parte inferior/posterior de la unidad): _____

Free Manuals Download Website

<http://myh66.com>

<http://usermanuals.us>

<http://www.somanuals.com>

<http://www.4manuals.cc>

<http://www.manual-lib.com>

<http://www.404manual.com>

<http://www.luxmanual.com>

<http://aubethermostatmanual.com>

Golf course search by state

<http://golfingnear.com>

Email search by domain

<http://emailbydomain.com>

Auto manuals search

<http://auto.somanuals.com>

TV manuals search

<http://tv.somanuals.com>