

West Bend®

STIR CRAZY® 2.5 OZ. THEATER-STYLE™ POPPER

Instruction Manual



Important Safeguards.....	2
Before Using for the First Time	3
Using Your Theater-Style™ Popper	3
Helpful Hints.....	4
Cleaning Your Theater-Style™ Popper	5
Popcorn Ideas & Recipes.....	5
Warranty.....	7

SAVE THIS INSTRUCTION MANUAL FOR FUTURE REFERENCE

© 2013 West Bend®, a Brand of Focus Products Group International, LLC.
www.westbend.com

Download from Www.Somanuals.com. All Manuals Search And Download.

IMPORTANT SAFEGUARDS



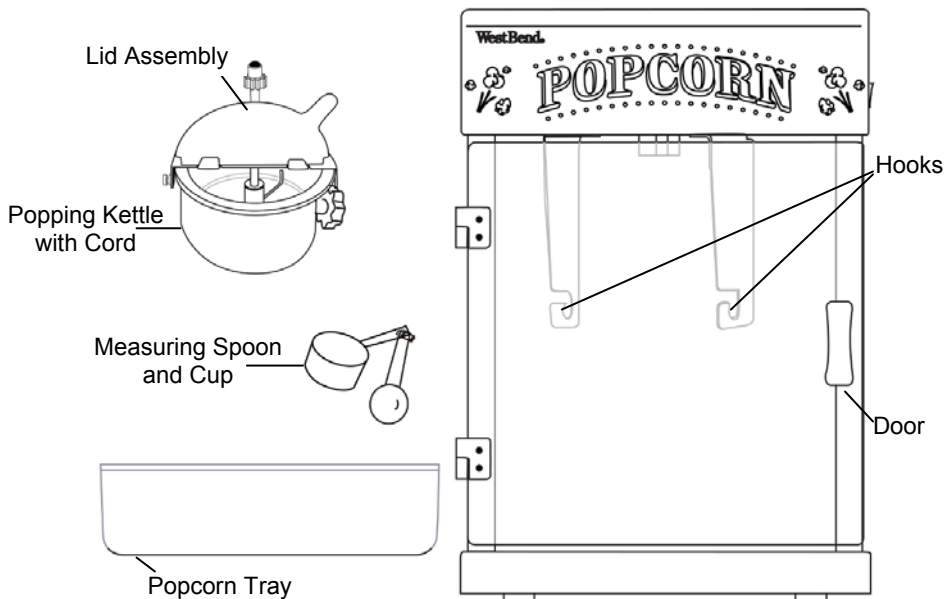
CAUTION

To prevent personal injury or property damage, read and follow all instructions and warnings.

When using electrical appliances, basic safety precautions should always be followed including:

- Read all instructions.
- Do not touch hot surfaces. Use handles or knobs.
- To protect against fire, electric shock, and injury to persons do not immerse cord, plugs, or other electric parts in water or other liquids.
- Close supervision is necessary when this appliance is used by or near children.
- A popper that is plugged into an outlet should not be left unattended.
- Always unplug from outlet when not in use and before cleaning. Allow to cool before putting on or taking off parts and before cleaning.
- Do not operate any appliance with a damaged cord or plug, after the appliance malfunctions, or has been damaged in any manner. For service information see warranty page.
- The use of accessory attachments not recommended by Focus Products Group International may cause fire, electric shock, or injury.
- Do not use this appliance outdoors.
- Do not let cord hang over the edge of the table or counter, or touch hot surfaces.
- Do not place on or near a hot gas or electric burner, or in a heated oven.
- Attach plug to appliance first, then plug cord into wall outlet. To disconnect, turn any control to "OFF," then remove plug from wall outlet.
- Do not use appliance for other than intended use.
- Extreme caution must be used when moving an appliance containing hot oil or other hot liquids.
- Do not attempt to repair this appliance yourself.
- A short power-supply cord is provided to reduce risks resulting from becoming entangled in or tripping over a longer cord.
- Longer extension cords are available, but care must be exercised in their use. While use of an extension cord is not recommended, if you must use one, ensure that the marked electrical rating of the extension cord is equal to or greater than that of the appliance. If the plug is of the grounded type, the extension cord must be a grounding-type 3-wire cord. To avoid pulling, tripping or entanglement, position the extension cord so that it does not hang over the edge of the counter, table or other area where it can be pulled on by children or tripped over.
- Do not use an outlet or extension cord if the plug fits loosely or if the outlet or extension cord feels hot.
- Avoid contact with moving parts.
- **For household use only.**

SAVE THESE INSTRUCTIONS



BEFORE USING FOR THE FIRST TIME

Please check all packaging material carefully before discarding. Many accessory parts are contained within the packaging material. Clean all parts using instructions from the "Cleaning Your Theater-Style™ Popper" section of this manual.

USING YOUR THEATER-STYLE™ POPPER

1. Wash door, popcorn tray, and measuring cup and spoon in warm, soapy water. Rinse and dry thoroughly. Use a soapy dishcloth to wipe the interior of the cabinet, then rinse with a damp, non-soapy cloth and dry thoroughly. Wash interior and lid of kettle with warm, soapy water. Rinse and dry thoroughly. **Do not** immerse kettle in water and do not get water on the black electrical box or cord.
2. Hang the kettle on the hooks with the handle towards the door. Plug the cord from the kettle into the outlet in the ceiling of the popper. **DO NOT** plug the kettle directly into a wall outlet.
3. **Using the measuring spoon and cup provided**, place one spoonful (1 tbsp.) of oil into the kettle followed by one cupful ($\frac{1}{2}$ cup) of popcorn kernels, then close lid. **Note: DO NOT** attempt to pop more than the recommended amount of popcorn at one time and **DO NOT** use more than the recommended amount of oil when popping, as damage to the kettle may occur.
4. Plug the cord from the cabinet into a 120 v, AC outlet **ONLY**. Close the cabinet door then press the "ON/OFF" switch to "ON." The light will illuminate, the stir rod will spin, and the kettle will begin heating.
5. After about 4 minutes, popcorn should begin to pop. Let popcorn pop until there is a pause of 2-3 seconds between pops. Press "ON/OFF" switch to "OFF," then tilt the kettle so the remaining popcorn and kernels fall out of the kettle. Be sure to use a hotpad or oven mitt to tilt the kettle. **Note:** The lightbulb is controlled by the "ON/OFF" switch. Turning the popper off will turn the light off.
6. If popping more popcorn, add oil and kernels to the kettle, close the lid, then press the "ON/OFF" switch back to "ON." Repeat steps 3 & 5 as necessary.

7. If not popping more corn, unplug the cabinet from the wall outlet and let cool completely. DO NOT attempt to unplug the kettle cord while the appliance is hot.
 - A small amount of smoke and/or odor may occur upon heating due to the release of manufacturing oils – this is normal.
 - Some minor expansion/contraction sounds may occur during heating and cooling – this is normal.

HELPFUL HINTS

- Always use fresh popcorn. Dried out, stale, or old popcorn pops poorly as it has lost its moisture content and may scorch.
- Store popcorn in airtight containers made of glass or plastic to avoid moisture loss in the kernels. Be sure that the container is stored in a cool place, do not store in the refrigerator. Most refrigerators contain little moisture and can dry out kernels, resulting in poor popping.

- Average Yield of Popped Corn

	Amount of Corn	Qts. / Cups Popped Corn
2 Oz.	¼ cup	1 ½ / 6
	⅓ cup	2 / 8

- If popcorn does not pop, it is usually the result of environmental factors such as the freshness and moisture content of the popcorn, or variances by popcorn type. Unpopped kernels do not necessarily indicate a defect in the appliance.
- Over time, salt and oil can abrade and make the cabinet walls look unattractive. It is important to thoroughly clean and dry the cabinet after every use.
- If your popper is not heating, check that the cord from the kettle is plugged into the outlet at the top of the cabinet.
- Burning at the bottom of your kettle is due to oil build-up. In addition to cleaning after every use, we also recommend cleaning periodically with a non-abrasive cleanser and scrubber.
- This popcorn popper can accommodate both regular and premium popcorns. Premium and gourmet popcorns do not yield results as good as regular popcorn. If premium or gourmet popcorn is used, you may notice an increase in the number of unpopped kernels.
- Instead of popping with vegetable oil, try one of these healthy choices, extra virgin olive oil, canola oil, coconut oil, corn oil, peanut oil, or sunflower oil. Specialty oils may also be used, but some experimentation may be necessary to find the best popping results and flavor you prefer. **Do not use more than 1½ tablespoons of any oil.**
- When done popping, start layering flavors. We find a light misting of olive oil, (many great infused olive oils are also available) lemon or lime juice, balsamic vinegar, or even water will help any additional seasonings adhere to the corn.
- Melted chocolate or marshmallow is a great way to bind and layer decadent ingredients with popcorn, or to create popcorn balls, bars, or pops. For a more traditional binder, boil 1 cup of sugar with 1 cup of corn syrup, then add your other ingredients toss and form. Or while still warm, roll balls or pops in crushed candies, coconut, chopped nuts, sprinkles.

CLEANING YOUR THEATER-STYLE™ POPPER

1. Unplug the cabinet cord from the wall outlet. Let popper cool completely before cleaning. After every use, remove the tray and kettle from popper. Wipe the interior of the popper cabinet with a damp, soapy cloth to remove any residues. Rinse with a damp, soap-free cloth and dry thoroughly. If desired, remove the door and wash in warm, soapy water. Wash the measuring cup, spoon, and tray in warm, soapy water. Rinse and dry thoroughly. If desired, all parts EXCEPT THE KETTLE may be washed in an automatic dishwasher, top rack only.
2. Using a soapy nylon or other non-abrasive scrubber, wash the interior of the popping kettle. **Do not** immerse kettle in water. We also recommend using a non-abrasive cleanser periodically to remove any buildup of oil. Rinse with a damp cloth and dry thoroughly.

Note: If the bulb needs to be replaced, use a 120 volt, 10 watt E12 bulb.

This appliance has no user serviceable parts.

POPCORN IDEAS & RECIPES

Popcorn is the perfect blank canvas for creating treats. You can create decadent concoctions with chocolate and candies or healthy, guilt-free snacks that everyone can enjoy. Here are some recipes and ideas to get you started, but really, once you start, your imagination can take over.

Try mixing and matching any of these for a healthy snack:

Nutritional Yeast (great nutty flavor)	Paprika	Basil
Sea salt	Thyme	Cinnamon
Garlic powder	Celery flakes	Cloves
Onion powder	Parsley	Chives
Chili powder	Crushed red peppers	Sugar
Cumin	Black pepper	Dill
Oregano	Lemon, orange, or lime zest	Aged and grated Parmesan, Provolone, or Romano cheese
Rosemary	Cocoa powder	

Try mixing and matching any of these for a decadent treat:

Chopped candy bars	Cake mix	Powdered drink mixes
Crushed hard candies or suckers	Cake or brownie crumbles	Dry cheese sauce powder
Chocolate chips	Nuts	Peanut butter
Marshmallows	Candy pieces or Bite-sized candies	Cocoa powder
Salted peanuts	Hot cocoa mix	Powdered sugar
Bacon	Sweetened cereal	Pretzels
Blue cheese crumbles	Melted chocolate or Almond bark	Graham cracker pieces
Reduced balsamic vinegar (fruit infused is delightful)	Toasted or grated coconut	Crushed cookies

Joel's Blue Cheese Bacon Popcorn

4 slices bacon	fresh ground black pepper
10 cups Popped Popcorn	1 tbsp. reserved bacon grease or 1
½ cup crumbled blue cheese	tbsp. olive oil, optional

Fry bacon until crisp; cool and crumble. Using fresh, warm popcorn, add the crumbled blue cheese, bacon, and generously sprinkle with fresh ground black pepper. If desired, stir in some of the reserved bacon grease or olive oil to enhance flavor and help seasonings to stick/ adhere.

Herb Infusion

8-10 cups popped popcorn
4 tbsp. coconut oil, melted
2 tbsp. nutritional yeast

2 tbsp. mixed dried herbs: dill, parsley
thyme and oregano (add cayenne to
the mix if you like spice)
Garlic or sea salt to taste

Set popcorn aside in a large mixing bowl, drizzle melted coconut oil over the corn and toss to distribute. Sprinkle with the herb blend and add garlic or sea salt to taste, toss again

S'mores 'n More

8-10 cups popped popcorn (we liked
ours lightly buttered and salted)
16oz. milk or dark chocolate, melted,
for drizzling
4 tbsp. butter
2 cups mini marshmallows

24 graham crackers, broken in bite
size pieces
OR 2 cups of graham breakfast cereal
2 to 4oz. of milk chocolate, shaved or
cut into pieces

In a large mixing bowl, mix the popped popcorn, and half of the all the other ingredients until well mixed, spread out on wax or parchment paper, sprinkle remaining crackers or cereal and marshmallows over the top and drizzle with the remaining melted chocolate. Allow it to cool and set before eating

Confetti Cake Popcorn

8-10 cups popped popcorn (either
plain or buttered and salted)
1 to 1½ cups cake mix (white, yellow,
or chocolate)

12oz. white, milk or dark chocolate
¼ cups vegetable shortening
¼ cup sprinkles (round, multicolored)

Microwave the chocolate for one minute or until melted. Add the vegetable shortening and stir until melted and well mixed. In a large mixing bowl, combine the popped popcorn with the dry cake mix, drizzle with the melted chocolate and mix well to evenly coat. Add the sprinkles and toss, spread to cool and dry on parchment or wax paper.

Say Cheese Popcorn

8-10 cups popped popcorn, buttered
¼ cup melted butter

1½ oz. (1 envelope) dry cheese sauce
mix (from a box of macaroni and cheese)

Mix the popped popcorn and the other ingredients until well mixed.

Lime Fiesta Popcorn

8-10 cups popped popcorn
1 lime, use for zest and juice

1 tsp. chili powder
½ tsp. cumin

Squeeze juice of the lime over warm popcorn then add lime zest, chili powder and cumin, toss to coat.

PRODUCT WARRANTY

Appliance 1 Year Limited Warranty

Focus Products Group International, LLC ("the Company") warrants this appliance from failures in the material and workmanship for one (1) year from the date of original purchase with proof of purchase, provided that the appliance is operated and maintained in conformity with the Instruction Manual. Any failed part of the appliance will be repaired or replaced without charge at the Company's discretion. This warranty applies to indoor household use only.

This warranty does not cover any damage, including discoloration, to any non-stick surface of the appliance. This warranty is null and void, as determined solely by the Company, if the appliance is damaged through accident, misuse, abuse, negligence, scratching, or if the appliance is altered in any way.

THIS WARRANTY IS IN LIEU OF ALL IMPLIED WARRANTIES, INCLUDING WARRANTIES OF MERCHANTABILITY, FITNESS FOR A PARTICULAR PURPOSE, PERFORMANCE, OR OTHERWISE, WHICH ARE HEREBY EXCLUDED. IN NO EVENT SHALL THE COMPANY BE LIABLE FOR ANY DAMAGES, WHETHER DIRECT, INDIRECT, INCIDENTAL, FORSEEABLE, CONSEQUENTIAL, OR SPECIAL ARISING OUT OF OR IN CONNECTION WITH THIS APPLIANCE.

If you think the appliance has failed or requires service within its warranty period, please contact the Customer Care Department at (866) 290-1851, or e-mail us at customercare@focuspg.com. A receipt proving the original purchase date will be required for all warranty claims, **hand written receipts are not accepted**. You may also be required to return the appliance for inspection and evaluation. Return shipping costs are not refundable. The Company is not responsible for returns lost in transit.

Valid only in USA and Canada

REPLACEMENT PARTS

Replacement parts, if available, may be ordered directly from the Company several ways. Order online at www.westbend.com, e-mail customercare@focuspg.com, over the phone by calling (866)290-1851, or by writing to:

Focus Products Group International, LLC.
Attn: Customer Care Dept.
P. O. Box 2780
West Bend, WI 53095

To order with a check or money order, please first contact Customer Care for an order total. Mail your payment along with a letter stating the model or catalog number of your appliance, which can be found on the bottom or back of the appliance, a description of the part or parts you are ordering, and the quantity you would like. Your check should be made payable to Focus Products Group International, LLC.

Your state/province's sales tax and a shipping fee will be added to your total charge. Please allow two weeks for processing and delivery.

This manual contains important and helpful information regarding the safe use and care of your product. For future reference, attach dated sales receipt for warranty proof of purchase and record the following information:

Date purchased or received as gift: _____

Where purchased and price, if known: _____

Item number and Date Code (shown bottom/back of product): _____

West Bend®

MACHINE A POPCORN THEATER-STYLE™ STIR CRAZY® DE 2.5 OZ. (70.9G)

Mode d'Emploi



Précautions Importantes	2
Avant la Première Utilisation	3
Utilisation de votre Machine à Popcorn Theater-Style™	3
Astuces	4
Nettoyage de votre Machine à Popcorn Theater-Style™	5
Recettes et Idées d'Utilisation du Maïs	6
Garantie	8

CONSERVEZ CE MANUEL D'INSTRUCTIONS POUR RÉFÉRENCE FUTURE

PRECAUTIONS IMPORTANTES



MISE EN GARDE

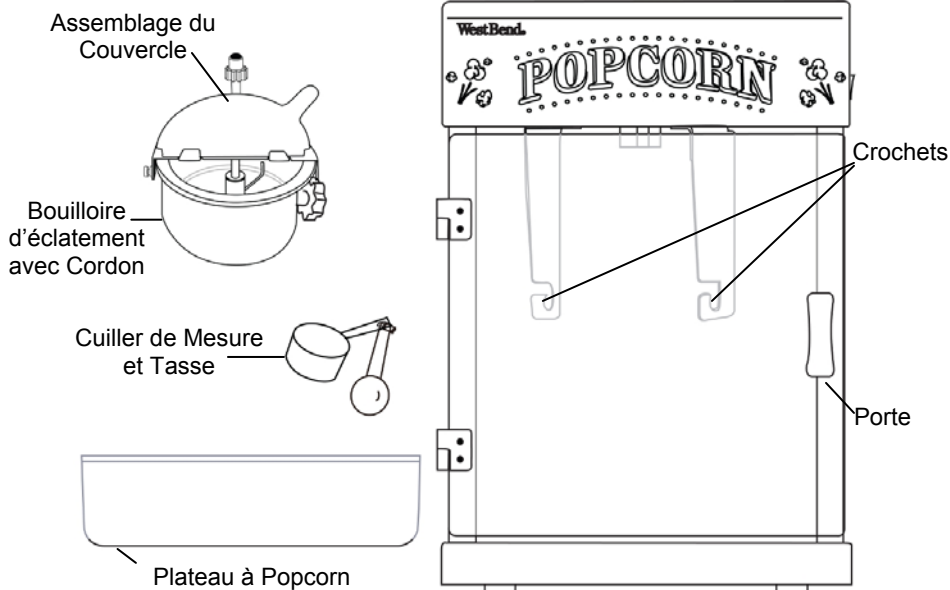
Pour empêcher toute blessure physique ou tout dommage matériel, lisez et suivez toutes les consignes et mises en garde.

Lorsque vous utilisez des appareils électriques, les précautions de sécurité élémentaires devraient toujours être respectées, notamment:

- Lisez toutes les instructions.
- Ne touchez pas les surfaces à haute température. Utilisez les poignées carrées ou rondes.
- Pour vous protéger contre tout le feu, la décharge électrique, ou la blessure, n'immergez pas le cordon, les fiches ni aucune autre pièce électrique dans l'eau ni dans tout autre liquide.
- Une surveillance rapprochée est nécessaire en cas d'utilisation d'un appareil par des enfants ou en présence d'enfants.
- Une machine à popcorn branchée sur une prise secteur ne devrait pas être laissée sans surveillance.
- Débranchez l'appareil du secteur lorsque vous ne l'utilisez pas et avant de le nettoyer. Laissez refroidir avant de mettre en place ou de retirer des pièces ainsi qu'avant de procéder au nettoyage.
- N'utilisez aucun appareil dont le cordon ou la fiche sont endommagés, si l'appareil a dysfonctionné ou s'il a été détérioré de quelque manière que ce soit. Pour des renseignements sur les réparations, voir la page de garantie.
- L'utilisation des accessoires non recommandés par Focus Products Group International risque de provoquer le feu, la décharge électrique ou la blessure.
- N'utilisez pas cet appareil à l'extérieur.
- Ne laissez pas le cordon pendre depuis l'extrémité de la table ou du plan de travail, ou ne le laissez pas entrer en contact avec une surface à haute température.
- Ne placez pas l'appareil sur ou à proximité d'une gazinière chaude ou d'un brûleur électrique, ou dans un four chaud.
- Fixez toujours la fiche à l'appareil en premier, ensuite brancher la fiche dans la prise secteur. Pour débrancher l'appareil, tournez toute commande sur « OFF » puis retirez la fiche de la prise murale.
- N'utilisez pas l'appareil pour un usage autre que celui pour lequel il a été conçu.
- Vous devez faire preuve d'une extrême prudence lorsque vous déplacez un appareil contenant de l'huile ou d'autres liquides à haute température.
- Ne tentez pas de réparer cet appareil vous-même.
- Le cordon d'alimentation fourni est court pour réduire les risques qu'une personne se prenne les pieds ou trébuche sur un cordon plus long.
- Des cordons de rallonge plus longs sont disponibles, mais vous devez faire preuve de prudence lors de leur utilisation. Bien que l'utilisation d'un cordon de rallonge ne soit pas recommandée, si vous devez en utiliser un, assurez-vous que la puissance nominale indiquée pour le cordon de rallonge est égale ou supérieure à celle de l'appareil. Si la fiche est raccordée à la terre, le cordon de rallonge doit lui aussi proposer un raccordement à la terre. Pour éviter de tirer sur le cordon, de trébucher ou de s'emmêler dedans, positionnez le cordon de rallonge de sorte qu'il ne pende pas depuis l'extrémité du plan de travail, de la table ou de toute zone où des enfants pourraient tirer dessus ou trébucher.

- N'utilisez pas une prise secteur ou un cordon de rallonge si la fiche s'adapte avec un jeu ou si la prise secteur ou le cordon de rallonge vous semblent chauds.
- Évitez tout contact avec les pièces en mouvement.
- **Pour une utilisation domestique uniquement.**

CONSERVEZ CES CONSIGNES



AVANT LA PREMIÈRE UTILISATION

Veillez vérifier la totalité de l'emballage avec attention avant de le jeter. De nombreux accessoires sont contenus dans le matériel d'emballage. Nettoyez toutes les pièces en utilisant les instructions de la section « Nettoyage de votre Machine à Popcorn Theater-Style™ » de ce manuel.

UTILISATION DE VOTRE MACHINE A POPCORN THEATER-STYLE™

1. Lavez la porte, le plateau à popcorn, ainsi que la cuiller de mesure et la tasse à l'eau chaude savonneuse. Rincez et séchez méticuleusement. Utilisez un torchon à vaisselle imbibé d'eau savonneuse pour essuyer l'intérieur du compartiment, puis rincez à l'aide d'un torchon humide non savonneux et séchez méticuleusement. Lavez l'intérieur et le couvercle de la bouilloire à l'eau chaude savonneuse. Rincez et séchez méticuleusement. Veuillez **ne pas** plonger la bouilloire dans l'eau et ne pas mettre d'eau sur le boîtier électrique noir ou sur le cordon.
2. Suspendez la bouilloire aux crochets avec les poignées orientées vers la porte. Branchez le cordon en provenance de la bouilloire dans la prise secteur au plafond de la machine à popcorn. Veuillez **NE PAS** brancher la bouilloire directement sur une prise secteur.

3. **Utilisation de la cuiller et de la tasse de mesure fournies**, placez une cuillerée (1 c. à soupe) d'huile dans la bouilloire suivie d'une tasse (tasse de $\frac{1}{3}$) de maïs à popcorn, puis fermez le couvercle. **Remarque: Veuillez NE PAS** tenter de faire éclater davantage que la quantité recommandée de popcorn en une seule fois et veuillez **NE PAS** utiliser plus que la quantité recommandée d'huile lorsque vous préparez du popcorn, car cela risque de détériorer la bouilloire.
4. Branchez le cordon en provenance du compartiment sur une prise secteur 120 volts, ac uniquement. Fermez la porte du compartiment puis appuyez sur l'interrupteur « ON/OFF » (marche/arrêt) pour le positionner sur « ON » (marche). La lampe va s'allumer, le bâton mélangeur va tourner, et la bouilloire va commencer à chauffer.
5. Après environ 4 minutes, le popcorn devrait commencer à éclater. Laissez le popcorn éclater jusqu'à ce qu'il y ait une pause de 2-3 secondes entre deux pops. Appuyez sur l'interrupteur « ON/OFF » (marche/arrêt) pour le positionner sur « OFF » (arrêt) puis inclinez la bouilloire de sorte que le popcorn et le maïs restants tombent en dehors de la bouilloire. Assurez-vous d'utiliser une manique ou un gant de cuisine pour incliner la bouilloire. **Remarque:** L'ampoule est contrôlée par l'interrupteur « ON/OFF » (marche/arrêt). Le fait d'éteindre la machine à popcorn éteindra aussi la lampe.
6. Si vous préparez plus de popcorn, ajoutez de l'huile et du maïs dans la bouilloire, fermez le couvercle, puis repositionnez l'interrupteur « ON/OFF » (marche/arrêt) sur « ON » (marche). Répétez les étapes 3 & 5 si nécessaire.
7. Si vous ne cuisez pas davantage de popcorn, débranchez le compartiment de la prise secteur et laissez-le refroidir complètement. Veuillez NE PAS tenter de débrancher le cordon de la bouilloire lorsque l'appareil est chaud.
 - Une petite quantité de fumée et/ou d'odeur peut être produite pendant la cuisson en raison de la diffusion des huiles de fabrication - c'est tout à fait normal.
 - De petits bruits d'expansion/contraction peuvent être émis pendant la cuisson et le refroidissement - c'est tout à fait normal.

ASTUCES

- Utilisez toujours du popcorn frais. Le popcorn séché, éventé ou vieux éclate mal car il a perdu sa teneur en humidité et il risque de roussir.
- Conservez le popcorn dans des récipients hermétiques en verre ou en en plastique pour éviter les pertes d'humidité dans le maïs. Assurez-vous que le récipient est conservé dans un lieu frais, ne le conservez pas au réfrigérateur. La plupart des réfrigérateurs contiennent peut d'humidité et ils peuvent dessécher le maïs, ce qui a pour résultat un mauvais éclatement.
- La Récolte Moyen du Maïs Éclaté

	Quantité de Maïs	Qts.(L) / Tasses de Maïs Éclaté
2 Oz. (56.7g)	$\frac{1}{4}$ tasse	$1\frac{1}{2}$ (1.4L) / 6
	$\frac{1}{3}$ tasse	2 (1.9L) / 8

- Si le popcorn n'éclate pas, c'est habituellement en raison de facteurs environnementaux comme la fraîcheur et la teneur en humidité du popcorn, ou de différences en fonction du type de popcorn. La présence de grains de maïs non éclatés n'indique pas nécessairement un défaut de l'appareil.
- Au fil du temps, le sel et l'huile peuvent former une abrasion et donner aux parois du compartiment un aspect peu attirant. Il est important de nettoyer méticuleusement et de sécher le compartiment après chaque usage.

- Si votre machine à popcorn ne chauffe pas, vérifiez que le cordon en provenance de la bouilloire est branché sur la prise secteur en haut du compartiment.
- Toute brûlure en bas de votre bouilloire est provoquée par une accumulation d'huile. En plus de nettoyer après chaque utilisation, nous recommandons également de nettoyer régulièrement à l'aide d'un détergeant non abrasif et d'une brosse.
- Cette machine à faire du popcorn peut faire cuire du maïs de première qualité et normal. Les maïs gourmet et de première qualité ne sont pas aussi beaux une fois cuits, que le maïs normal. Si vous utilisez du maïs gourmet ou de première qualité, il se peut que vous remarquiez un plus grand nombre de grains n'ayant pas éclaté.
- Au lieu de faire cuire le maïs avec de l'huile végétale, essayez l'huile d'olive extra vierge, l'huile de noix de coco, l'huile de maïs, de cacahouète, de tournesol ou de canola. Il est également possible d'utiliser des huiles spéciales, mais il peut être nécessaire de faire des essais afin d'obtenir les meilleurs résultats et l'arôme préféré. **Ne pas mettre plus de 1½ cuillères à café d'huile.**
- Lorsque le maïs a éclaté, commencez à aromatiser par couches. Nous avons trouvé qu'un léger brouillard d'huile d'olive (vous pouvez trouver de très bonnes huiles infusées), du jus de citron ou de citron vert, du vinaigre balsamique ou même de l'eau, permettront de faire adhérer les assaisonnements aux maïs.
- Du chocolat fondu ou des marshmallow permettant de bien mélanger et d'étaler les ingrédients agréables, au maïs ou de faire des balles de maïs, des barres ou des pops. Si vous préférez un liant plus traditionnel, portez à ébullition 1 tasse de sucre et une tasse de sirop de maïs, ajoutez ensuite les autres ingrédients, mélangez et mettez en forme. Ou, alors qu'ils sont encore chauds, roulez des balles ou des pops, dans des bonbons écrasés, de la noix de coco, des noix hachées, des confiseries de décoration.

NETTOYAGE DE VOTRE MACHINE A POPCORN THEATER-STYLE™

1. Débranchez le cordon d'alimentation du compartiment de la prise secteur. Laissez la machine à popcorn refroidir complètement avant de procéder au nettoyage. Après chaque utilisation, retirez le plateau et la bouilloire de la machine à popcorn. Essuyez l'intérieur du compartiment de la machine à popcorn à l'aide d'un torchon humide imbibé d'eau savonneuse afin d'éliminer tout résidu. Rincez à l'aide d'un torchon humide sans savon puis séchez méticuleusement. Si vous le souhaitez, retirez la porte et lavez-la à l'eau chaude savonneuse. Lavez la tasse de mesure, la cuiller et le plateau à l'eau chaude savonneuse. Rincez et séchez méticuleusement. Si vous le souhaitez, toutes les pièces SAUF LA BOUILLOIRE peuvent être lavées au lave-vaisselle automatique, sur la grille du haut uniquement.
2. A l'aide d'un tampon savonneux en nylon ou toute autre matière non abrasive, lavez l'intérieur de la bouilloire d'éclatement. Veuillez **ne pas** plonger la bouilloire dans l'eau. Nous recommandons également l'utilisation d'un détergent non abrasif régulièrement pour éliminer toute accumulation d'huile. Rincez à l'aide d'un torchon humide et séchez méticuleusement.

Remarque: Si l'ampoule a besoin d'être remplacée, utilisez une ampoule de 120 volts, 10 watts E12.

Cet appareil ne contient aucune pièce réparable par l'utilisateur.

RECETTES ET IDÉES D'UTILISATION DU MAÏS

Le maïs est le produit de base idéal pour les petits plaisirs créatifs. Vous pouvez créer des mélanges agréables avec du chocolat et des bonbons, ou des encas sains, sans avoir rien à vous reprocher, que tout le monde appréciera. Voici quelques idées et recettes pour commencer, mais en fait, lorsque vous aurez commencé, laissez votre imagination prendre le dessus.

Essayez de mélanger et de combiner n'importe lequel des éléments suivants pour vous faire un encas sain:

Levure nutritionnelle (bon arôme de noix)	Paprika	Poudre de cacao
Sel de mer	Thym	Basilic
Poudre d'ail	Flocons de céleri	Cannelle
Poudre d'oignon	Persil	Clous de girofle
Poudre de chili	Piments rouges écrasés	Ciboulette
Cumin	Piment noir	Sucre
Origan	Zeste de citron vert, d'orange ou de citron normal	Aneth
Romarin		Vieux Parmesan, fromage Romano ou Provolone rape

Essayez de mélanger et de combiner n'importe lequel de ces éléments pour vous faire un petit plaisir bien agréable:

Barres de bonbons découpées	Préparation pour gâteau	Mélanges de boisson en poudre
Bonbons durs écrasés ou sucettes	Miettes de brownie ou de gâteau	Poudre de sauce de fromage sec
Pépites de chocolat	Noix	Beurre de cacahouète
Marshmallows	Morceaux de bonbons ou petits bonbons	Poudre de cacao
Cacahouètes salées	Mélange de cacao chaud	Sucre en poudre
Bacon	Céréale édulcorée	Bretzels
Miettes de fromage bleu	Chocolat fondu ou écorce d'amande	Morceaux de biscuits de farine complète
Vinaigre balsamique affiné (infusé aux fruits est délicieux)	Noix de coco râpée ou toastée	Cookies écrasés

Popcorn au Fromage à Pâte Persillée et au Bacon de Joel

4 tranches de bacon	Du poivre noir fraîchement moulu
10 tasses de maïs soufflé	1 c. à soupe de graisse de bacon mise de côté ou une c. à soupe d'huile d'olive, optionnel
1/3 de tasse de fromage à pâte persillée coupé en morceaux	

Faire frire le bacon jusqu'à ce qu'il soit croustillant; laisser refroidir et couper en morceaux. Ajouter aux popcorns frais et chauds, le fromage à pâte persillée coupé en morceaux, le bacon et poivrer généreusement. Si vous le souhaitez, remuez le tout dans la graisse de bacon ou dans de l'huile d'olive pour mieux aromatiser et aider l'assaisonnement à adhérer.

Infusion à Base d'Herbes

8 à 10 tasses de maïs soufflé	2 c. à soupe d'herbes sèches mélangées: aneth, persil, thym et origan (ajoutez Cayenne au mélange si vous aimez les épices)
4 c. à soupe d'huile de noix de coco, fondue	Ail ou sel de mer pour le goût
2 c. à soupe de levure nutritionnelle	

Suivre les indications élémentaires pour souffler le maïs. Mettez le maïs de côté dans un grand bol, faites tomber quelques gouttes d'huile de noix de coco fondue sur le maïs et remuez pour mélanger. Saupoudrez le mélange d'herbes et ajouter l'ail ou le sel de mer pour le goût; mélangez une fois de plus.

De Plus en Plus

8 à 10 tasses de maïs soufflé (nous l'aimons légèrement beurré et salé)
16 oz. (454g) de chocolat noir ou au lait, fondu, à répandre
4 c. à soupe de beurre
2 tasses de mini marshmallows

24 biscuits de farine complète, cassés en petits morceaux OU 2 tasses de céréales Graham pour le petit-déjeuner
2 à 4oz. (57-113g) de chocolat au lait, râpé ou coupé en morceaux

Dans un grand bol, mélangez le maïs soufflé et la moitié des autres ingrédients jusqu'à ce que le tout soit bien mélangé, répandez sur du papier sulfurisé ou paraffiné, saupoudrez les biscuits ou les céréales et les marshmallows par-dessus, et faites couler délicatement le chocolat fondu. Laissez refroidir et reposer avant de manger.

Gâteau Confetti et Popcorn

8 à 10 tasses de maïs soufflé (soit tel quel, soit beurré et salé)
1 à 1½ tasse de préparation pour gâteau (blanche, jaune ou chocolat)
12oz. (340g) de chocolat noir, au lait, ou blanc

¼ de tasse de graisse alimentaire végétale
¼ tasse de confiseries de décoration (rondes, de toutes les couleurs)

Faites chauffer le chocolat au microonde pendant une minute, jusqu'à ce qu'il soit fondu. Ajoutez la graisse alimentaire et remuez jusqu'à ce que le tout soit bien mélangé et fondu. Mettez le maïs soufflé et la préparation pour gâteau dans un grand bol, répandez le chocolat fondu, et mélangez pour répandre uniformément. Ajoutez les confiseries de décorations, mélangez, répandez pour refroidir et faire sécher sur du papier sulfurisé ou paraffiné.

Popcorn au Fromage

8 à 10 tasses de maïs soufflé, au beurre
¼ de tasse de beurre fondu

1½ oz. (43g) (1 enveloppe) de préparation de sauce de fromage sec (d'une boîte de macaroni et de fromage)

Mélangez le maïs soufflé et les autres ingrédients jusqu'à ce qu'ils soient bien mélangés, dans un grand bol.

La Fête du Popcorn au Citron

8 à 10 tasses de maïs soufflé
1 citron vert, pour le zeste et le jus

1 c. à café de poudre de chili
½ c. à café de cumin

Pressez le jus du citron vert par-dessus le maïs chaud, et ajoutez un zeste de citron vert, la poudre de chili et le cumin, remuez pour recouvrir.

GARANTIE DU PRODUIT

Garantie limitée de 1 an de l'appareil

Focus Products Group International, LLC ("la société") garantit "pièces et main d'œuvre" que cet appareil est, et demeurera, exempt de défauts, pendant une durée d'un (1) an, à compter de la date originelle d'achat, en fonction d'une preuve d'achat, si ce dernier est utilisé et entretenu conformément au mode d'emploi. Toute pièce défectueuse de l'appareil sera réparée ou remplacée sans frais, et à la discrétion de la société. Cette garantie ne s'applique qu'à une utilisation domestique en intérieur.

Cette garantie ne couvre pas les dégâts, notamment toute décoloration, causés à toute surface non collante de l'appareil. Cette garantie sera annulée, à la seule discrétion de la société, si l'appareil est endommagé suite à un accident, à une mauvaise utilisation, à un abus, à une négligence, par des rayures, ou si l'appareil est modifié de quelque façon que ce soit.

CETTE GARANTIE SUPPLANTE TOUTES GARANTIES SOUS-ENTENDUES, NOTAMMENT TOUTES GARANTIES DE VALEUR MARCHANGE, D'ADEQUATION A UN OBJET PARTICULIER, DE PERFORMANCES OU AUTRES, QUI SONT ICI EXCLUES. EN AUCUN CAS, LA SOCIETE NE POURRA ETRE TENUE RESPONSABLE DE TOUS DEGATS, DIRECTS OU INDIRECTS, FORTUITS, PREVISIBLES, CONSECUTIFS OU SPECIAUX, SURVENANT DE L'UTILISATION DE CE PRODUIT

Si vous pensez que l'appareil est tombé en panne ou devrait être réparé en étant couvert par sa garantie, veuillez contacter le service d'assistance à la clientèle au (866) 290-1851, ou envoyer un e-mail à l'adresse customer@focuspg.com. Un reçu, prouvant la date originelle de l'achat, sera demandé pour toutes les demandes faites sous garantie; **les reçus rédigés à la main ne seront pas acceptés**. Il se peut également que l'on vous demande de renvoyer l'appareil pour qu'il soit vérifié et évalué. Les frais de renvoi ne sont pas remboursables. La société n'est pas responsable de la perte en transit de tout appareil renvoyé.

Valable uniquement aux USA et au Canada

PIÈCES DE RECHANGE

Les pièces détachées / de rechange, si disponibles, peuvent être commandées directement à la société de plusieurs façons. En les commandant en ligne sur le lien www.westbend.com, par e-mail au customer@focuspg.com, par téléphone en appelant au (866)290-1851, ou en écrivant à:

Focus Products Group International, LLC.
Attn: Customer Care Dept.
P. O. Box 2780
West Bend, WI 53095

Pour commander à l'aide d'un chèque ou d'un mandat, veuillez commencer par contacter le service d'assistance à la clientèle pour obtenir un total de commande. Envoyez par courrier votre commande, accompagnée d'une lettre mentionnant le modèle et le numéro de catalogue de votre appareil, que vous pourrez trouver en bas ou à l'arrière de l'appareil, une description de la pièce ou des pièces que vous voulez commander, ainsi que la quantité désirée. Votre chèque devra être libellé à l'ordre de Focus Products Group International, LLC.

La TVA de votre province et les frais d'envoi, seront ajoutés au montant total. Veuillez patienter deux semaines pour que la livraison et le traitement puissent avoir lieu.

Ce manuel contient des informations utiles et importantes, sur l'utilisation et l'entretien sécurisés de votre appareil. A titre de référence future, attachez le reçu daté qui vous tiendra lieu de preuve d'achat pour la garantie, et consignez les informations suivantes:

Date d'achat ou de réception en cadeau: _____

Lieu d'achat et prix, si connus: _____

Numéro de l'article et Code de date (dessous/arrière de l'appareil): _____

West Bend®

MÁQUINA DE HACER PALOMITAS DE MAÍZ THEATER-STYLE™ STIR CRAZY® DE 2.5 ONZAS (70.9G)

Manual de Instrucciones



Precauciones Importantes.....	2
Antes de Usar por Primera Vez.....	3
Como Usar la Máquina de Hacer Palomitas de Maíz Theater-Style™.....	3
Consejos Prácticos.....	4
Como Limpiar la Máquina de Hacer Palomitas de Maíz Theater-Style™.....	5
Ideas y Recetas para Palomitas de Maíz.....	5
Garantía.....	8

CONSERVE ESTAS INSTRUCCIONES COMO REFERENCIA PARA EL FUTURO

PRECAUCIONES IMPORTANTES



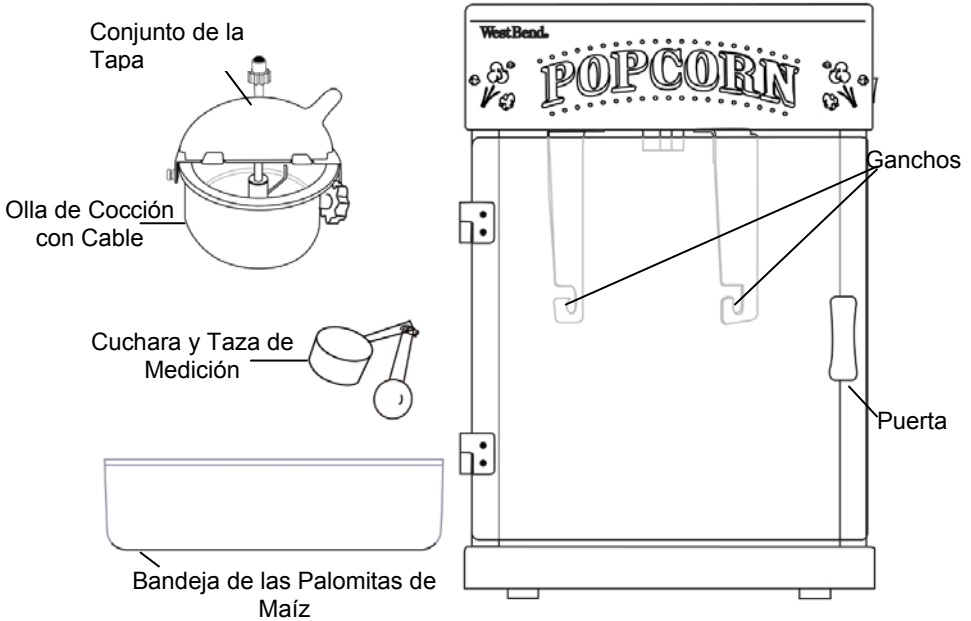
PRECAUCIÓN

Para evitar lesiones personales o daños materiales, lea y acate todas las instrucciones y advertencias.

Al utilizar artefactos electrodomésticos, siempre deben acatarse las precauciones básicas de seguridad incluyendo las siguientes:

- Lea todas las instrucciones.
- No toque las superficies calientes. Use las asas o las perillas.
- Para protegerse contra fuego, descargas eléctricas, o lesiones personales no sumerja el cable, enchufes, u otras partes eléctricas en agua u otros líquidos.
- Debe estarse muy pendiente de los niños cuando se use un artefacto electrodoméstico sea usado por ellos o cerca de ellos.
- Una máquina de hacer palomitas de maíz que esté enchufada a un tomacorriente no deberá dejarse sola durante ningún momento.
- Desenchúfelo del tomacorriente cuando no esté en uso y antes de limpiarlo. Permita que se enfríe antes de colocarle o quitarle piezas o antes de limpiarlo.
- No opere ningún artefacto electrodoméstico con un cordón eléctrico o enchufe dañado o si el artefacto electrodoméstico funciona mal o ha sido dañado de cualquier manera. Para información relativa al servicio de reparaciones vea la página de garantías.
- El uso de accesorios no recomendados por Focus Products Group International puede ser causa de fuego, descargas eléctricas, o lesiones personales.
- No use este artefacto electrodoméstico al aire libre.
- No deje que el cordón eléctrico cuelgue sobre el borde de la mesa o encimera, ni que toque superficies calientes.
- No lo coloque sobre o cerca de un calentador eléctrico o a gas, o en un horno caliente.
- Siempre conecte primero el enchufe al aparato electrodoméstico, y luego enchufe el cordón eléctrico al tomacorriente. Para desconectar, coloque cualquier control en la posición "OFF" (apagado), y luego desenchufe del tomacorriente.
- No utilice el artefacto electrodoméstico para usos distintos del indicado.
- Debe tenerse extremo cuidado al mover cualquier artefacto electrodoméstico que contenga aceite caliente u otros líquidos calientes.
- No trate de reparar este artefacto electrodoméstico usted mismo.
- Se suministra un cordón eléctrico corto para reducir los riesgos que resultan de enredarse o tropezarse con un cordón eléctrico más largo.
- Hay disponibles cables de extensión más largos, pero debe tenerse cuidado al usarlos. Aunque no se recomienda utilizar cables de extensión, si debe utilizar uno, asegúrese de que la capacidad eléctrica indicada del cable de extensión sea igual o mayor a la del artefacto. Si el enchufe es del tipo conectado a tierra, el cable de extensión deberá ser un cordón eléctrico de 3 hilos con conexión a tierra. A fin de impedir lesiones que resulten del halar, tropezarse o enredarse en el mismo, coloque el cable de extensión de tal modo que no cuelgue del borde de un mostrador, mesa u otra superficie donde pueda ser halado por niños o se pueda tropezar con él.
- No use un tomacorriente o cable de extensión en el cual el enchufe calza flojamente, o si el tomacorriente o el cable de extensión se calientan.
- Evite el contacto con partes en movimiento.
- **Sólo para uso doméstico.**

CONSERVE ESTAS INSTRUCCIONES



ANTES DE USAR POR PRIMERA VEZ

Revise con cuidado todo el material de empaque antes de desecharlo. Dentro del material de empaque se encuentran muchos accesorios. Limpie todas las piezas según las instrucciones en la sección " Como Limpiar la Máquina de Hacer Palomitas de Maíz Theater-Style™" de este manual.

CÓMO USAR LA MÁQUINA DE HACER PALOMITAS DE MAÍZ THEATER-STYLE™

1. Lave la puerta, la bandeja de las palomitas de maíz y la taza y cuchara de medición en agua jabonosa tibia. Enjuague y seque a fondo. Utilice un paño empapado con agua jabonosa para limpiar la parte interior del gabinete, y luego enjuáguela con un paño húmedo sin jabón y séquela a fondo. Lave la parte interior de la olla de cocción con agua tibia jabonosa. Enjuague y seque a fondo. **No** sumerja la olla de cocción en agua y evite que el agua entre en contacto con el cajetín eléctrico negro o el cordón eléctrico.
2. Cuelgue la olla de cocción de los ganchos con el asa de cara a la puerta. Enchufe el cordón eléctrico al tomacorriente en el techo de la máquina de hacer palomitas de maíz. **NO** enchufe la olla de cocción directamente a un tomacorriente de pared.
3. **Utilizando la cuchara y la taza de medición provistas**, coloque una cuchara llena (1 cda.) de aceite en el caldero seguida de una taza llena ($\frac{1}{2}$ taza) de maíz para preparar palomitas, y luego cierre la tapa. **Nota: NO** intente preparar más palomitas que la cantidad recomendada para prepararse a la vez y **NO** utilice más aceite de lo recomendado, puesto que ello podría dañar el caldero.
4. Enchufe el cordón eléctrico que proviene del gabinete a un tomacorriente de corriente alterna de 120 V solamente. Cierre la puerta del gabinete y luego pulse el interruptor de apagado y encendido "ON/OFF" (encendido/apagado) a la posición "ON" (encendido). La lámpara se iluminará, la varilla de agitación girará y la olla de cocción comenzará a calentarse.
5. Tras unos 4 minutos, deberá comenzar a reventar el maíz. Permita que el maíz siga reventando hasta que haya una pausa de 2-3 segundos entre reventones. Presione el interruptor "ON/OFF" (encendido/apagado) a la posición "OFF" (apagado), luego incline la olla de cocción de manera que las palomitas de maíz y granos de maíz

remanentes caigan de la olla. Asegúrese de utilizar una almohadilla térmica o guantes de horno para inclinar la olla de cocción. **Nota:** La lámpara se controla mediante el interruptor "ON/OFF" (encendido/apagado). Al apagar la máquina de hacer palomitas de maíz se apagará la luz.

6. Si va a preparar más palomitas de maíz, agregue aceite y granos a la olla de cocción, cierre la tapa y luego presione el interruptor "ON/OFF" (encendido/apagado) de nuevo a la posición "ON" (encendido). Repita los pasos 3 a 5 las veces que sean necesarias.
7. Si no va a preparar más palomitas de maíz, desenchufe el gabinete del tomacorriente de pared y deje enfriar por completo. NO intente desenchufar el cordón eléctrico de la olla de cocción mientras el artefacto esté caliente
 - Una pequeña cantidad de humo y/o olor puede ocurrir al calentarse debido a la liberación de aceites usados en la fabricación – esto es normal.
 - Algunos sonidos menores de extensión/contracción pueden ocurrir durante el calentamiento y enfriamiento – esto es normal.

CONSEJOS PRÁCTICOS

- Siempre utilice maíz para palomitas de maíz fresco. El maíz para palomitas de maíz seco, rancio o viejo no revienta nada bien puesto que ha perdido el contenido de humedad y podría chamuscarse.
- Almacene el maíz para preparar palomitas de maíz en recipientes herméticos hechos de vidrio o de plástico para evitar la pérdida de humedad en los granos. Asegúrese de almacenar el recipiente en un sitio fresco, pero no lo almacene en el refrigerador. La mayoría de los refrigeradores contienen poca humedad y pueden secar los granos, lo cual resultará en una deficiente preparación de palomitas de maíz.
- El Rendimiento Promedio de Palomitas de Maíz Reventadas

	Cantidad de Maíz	Qts.(L) / Tazas de Palomitas de Maíz
2 Oz. (56.7g)	¼ taza	1½ (1.4L) / 6
	⅓ taza	2 (1.9L) / 8

- Si los granos de maíz no revientan, por lo general ello es el resultado de factores ambientales tales como la frescura y el contenido de humedad del maíz, o por variaciones en el tipo de maíz para palomitas de maíz. La presencia de granos sin reventar no necesariamente indica que el artefacto tenga algún defecto.
- Con el tiempo, la sal y el aceite pueden desgastar y hacer que las paredes del gabinete luzcan poco atractivas. Es importante limpiar y secar a fondo el gabinete después de cada uso.
- Si la olla de cocción no se está calentando, revise que el cordón eléctrico de la olla este enchufado al tomacorriente en la parte superior del gabinete.
- El quemado en el fondo de la olla es debido a la acumulación de aceite. Además de la limpieza tras cada uso, también recomendamos una limpieza periódica con un limpiador no abrasivo y un estropajo.
- Esta máquina de hacer palomitas de maíz puede utilizar maíz para palomitas de maíz de grados normales y de calidad superior. Los granos de maíz para palomitas de maíz de grado superior y gourmet no dan resultados tan buenos como el maíz para palomitas de maíz normal. Si utiliza granos de maíz de grado superior y gourmet, observar un incremento en el número de granos sin reventar.
- En lugar de preparar las palomitas de maíz con aceite vegetal, pruebe una de estas opciones saludables: aceite extra virgen de oliva, aceite de canola, aceite de coco, aceite de maíz, aceite de cacahuete o aceite de girasol. Se pueden utilizar aceites especiales, pero podría ser necesario algo de experimentación para conseguir los mejores resultados para la preparación de las palomillas y obtener el sabor que a usted le guste. **No utilice más de 1½ cda. de cualquier aceite.**

- Cuando hayan reventado todos los granos, empiece a recubrir las palomitas con sabores. Encontramos que un rocío ligero de aceite de oliva, (también hay disponibles un gran número de aceites de oliva infundidos), de zumo de limón o de lima, de vinagre balsámico o incluso de agua ayudará a que todos los condimentos adicionales se adhieran al maíz.
- El chocolate o el malvavisco derretidos son una gran manera de aglutinar y crear capas de ingredientes decadentes sobre las palomitas de maíz, o para crear bolas, barras o paletas de palomitas de maíz. Para un aglutinante más tradicional, hierva 1 taza de azúcar con 1 taza de jarabe de maíz, y a continuación agregue los demás ingredientes, mezcle y dele forma. O mientras esté todavía caliente, ruede las bolas o las paletas en dulces molidos, nueces picadas, coco, chispas.

COMO LIMPIAR LA MÁQUINA DE HACER PALOMITAS DE MAÍZ THEATER-STYLE™

1. Desenchufe el cordón eléctrico del gabinete del tomacorriente de pared. Deje que la máquina de hacer palomitas de maíz se enfríe por completo antes de limpiarla. Tras cada uso, saque la bandeja y la olla de cocción de la máquina de hacer palomitas de maíz. Limpie la parte interna del gabinete de la máquina de hacer palomitas de maíz con un paño húmedo y enjabonado para eliminar cualquier residuo. Enjuague con un paño húmedo sin jabón y seque a fondo. Si lo desea, saque la puerta y lávela en agua tibia y jabonosa. Lave la taza y cuchara de medición y la bandeja en agua tibia y jabonosa. Enjuague y seque a fondo. Si lo desea, todos los componentes EXCEPTO LA OLLA DE COCCIÓN pueden lavarse en el lavavajillas automático, pero solamente en la canastilla de arriba.
2. Utilizando una almohadilla jabonosa de nylon u otro estropajo no abrasivo, lave la parte interior de la olla de cocción. **No** sumerja la olla de cocción en agua. También recomendamos utilizar de manera periódica un limpiador no abrasivo para eliminar cualquier acumulación de aceite. Enjuague con un paño húmedo y seque a fondo.

Nota: Si se requiere reemplazar el bombillo, utilice un bombillo E12 de 10 watts y 120 voltios.

Este aparato no contiene piezas reparables por el usuario.

IDEAS Y RECETAS PARA PALOMITAS DE MAÍZ

Las palomitas de maíz son el lienzo en blanco perfecto para crear golosinas. Puede crear confecciones decadentes con chocolate y caramelos o tentempiés sanos, libres de toda culpa que todo el mundo puede disfrutar. Aquí hay algunas recetas e ideas para ayudarlo a empezar, pero en realidad, una vez que comience, su imaginación ya podrá hacerse cargo.

Trate de mezclar y combinar cualquiera de estos para preparar un tentempié saludable:

Levadura nutricional	Tomillo	Canela
(fabuloso sabor a nuez)	Copos de apio	Clavos
Sal del mar	Perejil	Cebollinos
Ajo en polvo	Pimientos rojos	Azúcar
Cebolla en polvo	aplastados	Eneldo
Chile en polvo	Pimienta negra	Queso parmesano,
Comino	Cáscara de limón,	provolone o romano
Orégano	naranja, o lima	envejecido y rallado
Romero	Cacao en polvo	
Pimentón dulce	Basilio	

Trate de mezclar y combinar cualquiera de estos para una golosina decadente:

Barras de dulces picadas	Mezcla para pasteles	Bebidas en polvo
Caramelos duros o paletas de dulces triturados	Pastel o brownies desmenuzados	Salsa de queso seco en polvo
Chips de chocolate	Nueces	Mantequilla de maní
Malvaviscos	Pedazos de caramelo o caramelos de tamaño de un bocado	Cacao en polvo
Cacahuetes salados	Mezcla para preparar chocolate caliente	Azúcar en polvo
Tocino	Cereal azucarado	Galletas saladas
Queso azul desmenuzado	Chocolate derretido o la corteza de almendra	Pedazos de galletas integrales
Vinagre balsámico reducido (las frutas infundidas son una delicia)	Coco rallado o tostado	Galletas trituradas

Palomitas de Maíz con Queso Azul y Tocino de Joel

4 rebanadas de tocino	pimienta negra recién molida
10 tazas palomitas de maíz	1 cda. grasa de tocino reservada o 1 cda. aceite de oliva, opcional
1/3 taza queso azul desmenuzado	

Fría el tocino hasta quedar crujiente; enfríelo y desmenúcelo. Usando palomitas de maíz recién hechas y calientes, agregue el queso azul desmenuzado, el tocino, y generosamente espolvoree con pimienta negra recién molida. Si lo desea, agregue un poco de la grasa de tocino reservada o aceite de oliva para mejorar el sabor y ayudar a que los condimentos se peguen/adhieran.

Infusión de Hierbas

8-10 tazas de palomitas de maíz	(añadir pimienta a la mezcla si le gusta el picante)
4 cdas. aceite de coco, derretido	Ajo o sal de mar al gusto
2 cdas. levadura nutricional	
2 cdas. hierbas secas mezcladas: eneldo, tomillo, perejil y orégano	

Coloque las palomitas de maíz a un lado en un tazón grande, rocíe coco derretido sobre el maíz y revuelva para distribuirlo. Espolvoree con la mezcla de hierbas y añada el ajo o sal de mar al gusto, mezcle de Nuevo.

S'mores 'n More

8-10 tazas de palomitas de maíz (a nosotros nos gusta ligeramente untado con mantequilla y sal)	24 galletas integrales, rotas en pequeños trozos
16 onzas (454g) de chocolate con leche u oscuro, derretido, para rociar	O 2 tazas de cereal integral de desayuno
4 cdas. mantequilla	2 a 4 onzas (57-113g) de chocolate con leche, afeitado o cortado en trozos
2 tazas de mini-malvaviscos	

En un tazón grande, mezcle las palomitas de maíz y la mitad de todos los demás ingredientes hasta que estén bien mezclados, extienda la mezcla sobre papel encerado o de pergamino, espolvoree las galletas o cereal y malvaviscos restantes por encima y rocíe con el chocolate fundido restante. Deje que se enfríe y cuaje antes de comerlo.

Pastel de Confeti de Palomitas de Maíz

8-10 tazas de palomitas de maíz (ya sea solas o con mantequilla y sal)
1 a 1½ tazas de mezcla para pastel (blanca, amarilla o chocolate)

12 oz (340g) chocolate blanco, con leche u oscuro
¼ taza de manteca vegetal
¼ de taza de chispas (redondas, de varios colores)

Hornee el chocolate en el microondas durante un minuto o hasta que se derrita. Añada la manteca vegetal y revuelva hasta que se derrita y quede bien mezclado. En un tazón grande, combine las palomitas de maíz con la mezcla de pastel seco, rocíe el chocolate derretido y mezcle bien para cubrir las uniformemente. Agregue las chispas y mezcle, extienda la mezcla para que se enfríe y seque sobre el papel encerado o de pergamino.

Palomitas de Maíz Diga "Cheese"

8-10 tazas de palomitas de maíz con mantequilla
¼ taza de mantequilla derretida

1½ onz. (43g) (1 sobre) mezcla de salsa de queso seca (de una caja de macarrones con queso)

Mezcle las palomitas de maíz y los demás ingredientes hasta que queden bien mezclados.

Palomitas de Maíz de Fiesta de Limón

8-10 tazas de palomitas de maíz
1 limón lima, usar la cáscara y el zumo

1 cdt. chile en polvo
½ cdt. comino

Al completarse el ciclo de preparación de las palomitas, exprima el zumo del limón lima sobre las palomitas de maíz calientes y luego agregue la ralladura de cáscara de limón, el chile en polvo y el comino; mezcle bien.

GARANTÍA DEL PRODUCTO

Garantía Limitada de 1 Año del Artefacto Electrodoméstico

Focus Products Group International, LLC ("la Compañía") garantiza que este aparato no presentará fallas de material ni fabricación durante un (1) año a partir de la fecha original de compra con prueba de dicha compra, siempre y cuando el aparato sea operado y mantenido tal como se indica en el Manual de Instrucciones. Toda pieza del aparato que presente fallas será reparada o reemplazada sin costo alguno a criterio de la Compañía. Esta garantía rige solamente para el uso doméstico dentro de la casa.

Esta garantía no cubre ningún daño, incluyendo la decoloración, de superficie antiadherente alguna del aparato electrodoméstico. Esta garantía es nula y sin efecto, a juicio exclusivo de la Compañía, si el aparato ha sido dañado por accidente, mal uso, abuso, negligencia, arañazos, o si el aparato ha sido alterado de alguna manera.

ESTA GARANTÍA REEMPLAZA A TODAS LAS DEMÁS GARANTÍAS IMPLÍCITAS, INCLUYENDO AQUÉLLAS DE COMERCIABILIDAD, IDONEIDAD PARA UN FIN O USO EN PARTICULAR, DESEMPEÑO, U OTROS TIPOS, LAS CUALES QUEDAN EXCLUIDAS MEDIANTE EL PRESENTE DOCUMENTO. BAJO NINGUNA CIRCUNSTANCIA ASUMIRÁ LA COMPAÑÍA RESPONSABILIDAD POR DAÑOS, YA SEAN DIRECTOS, INMEDIATOS, INCIDENTALES, PREVISIBLES, CONSECUENTES O ESPECIALES QUE SURJAN DEL USO DEL APARATO ELECTRODOMÉSTICO O GUARDEN RELACIÓN CON EL MISMO.

Si usted piensa que el aparato se ha dañado o requiere servicio dentro del período de garantía, por favor póngase en contacto con el Departamento de Atención al Cliente al (866) 290-1851, o envíenos un correo electrónico a customercare@focuspg.com. Un recibo que acredite la fecha de compra original será requerido para todos los reclamos; **los recibos escritos a mano no son aceptados**. También se le podrá exigir devolver el aparato para su inspección y evaluación. Los gastos de envío no son reembolsables. La Compañía no se hace responsable de las devoluciones perdidas en tránsito.

Válido sólo en EE.UU. y Canadá

REPUESTOS

Las piezas de repuesto, si están disponibles, se pueden pedir directamente a la Compañía de varias maneras. Ordene en línea en www.westbend.com, al correo electrónico customercare@focuspg.com, o por teléfono llamando al (866) 290-1851, o escribiendo a:

Focus Products Group International, LLC.

Atención: Customer Care Dept.

P. O. Box 2780

West Bend, WI 53095

Para hacer un pedido con un cheque o giro postal, sírvase primero ponerse en contacto con el Dept. de Atención al Cliente para solicitar el monto total del pedido. Envíe su pago junto con una carta en la que indique el modelo y número de catálogo del aparato, que se puede encontrar en la parte inferior o posterior del aparato, una descripción de la parte o partes que usted está pidiendo, y la cantidad que desea. Su cheque debe hacerse a nombre de Focus Products Group International, LLC.

Se sumará al total el impuesto de venta estatal/provincial que corresponda, más un cargo por despacho y procesamiento. Estime un lapso de dos semanas para el procesamiento y la entrega.

Este manual contiene información importante y útil sobre el uso seguro y el cuidado de su producto. Para su propia referencia, archive aquí el recibo fechado que sirve de comprobante de compra para la garantía, y anote la siguiente información:

Fecha en que compró o recibió la unidad como regalo: _____

Dónde se efectuó la compra y el precio, si lo sabe: _____

Número y código de fecha del producto (aparece en la parte inferior/posterior de la unidad): _____

NOTES/NOTES/NOTAS

Free Manuals Download Website

<http://myh66.com>

<http://usermanuals.us>

<http://www.somanuals.com>

<http://www.4manuals.cc>

<http://www.manual-lib.com>

<http://www.404manual.com>

<http://www.luxmanual.com>

<http://aubethermostatmanual.com>

Golf course search by state

<http://golfingnear.com>

Email search by domain

<http://emailbydomain.com>

Auto manuals search

<http://auto.somanuals.com>

TV manuals search

<http://tv.somanuals.com>