

# West Bend®

## OLD-FASHIONED ICE CREAM MAKER™

Instruction Manual



Register this and other Focus Electrics products through our website:  
[www.registerfocus.com](http://www.registerfocus.com)

Important Safeguards.....	2
Before Using for the First Time .....	3
Using Your Old-Fashioned Ice Cream Maker™ .....	4
Helpful Hints .....	5
Cleaning Your Old-Fashioned Ice Cream Maker™ .....	6
Recipes .....	7
Warranty.....	9

**SAVE THIS INSTRUCTION MANUAL FOR FUTURE REFERENCE**

© 2011 West Bend®, a Brand of Focus Electrics, LLC.  
[www.westbend.com](http://www.westbend.com)

Download from [Www.Somanuals.com](http://Www.Somanuals.com). All Manuals Search And Download.

# IMPORTANT SAFEGUARDS



## CAUTION

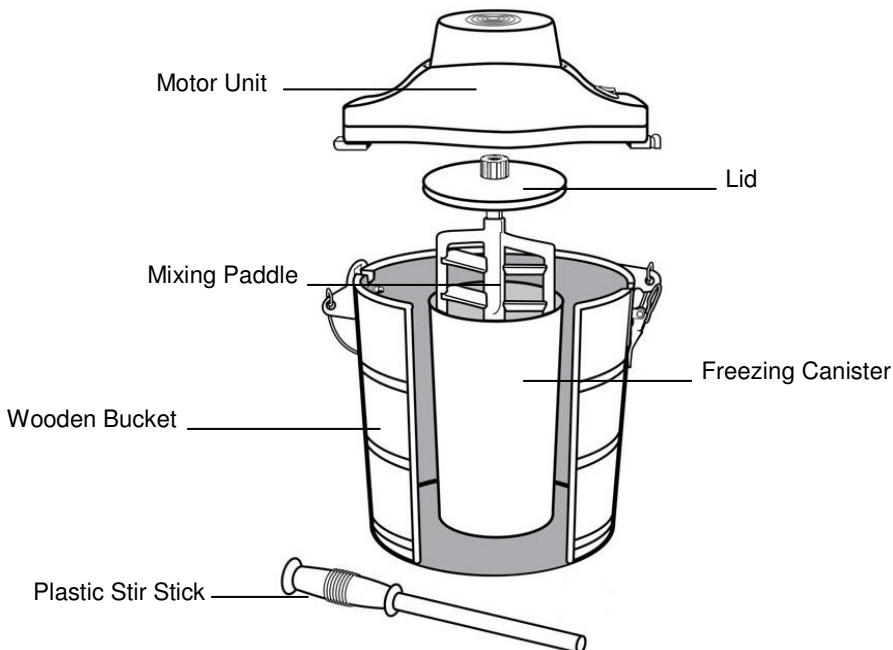
**To prevent personal injury or property damage, read and follow all instructions and warnings.**

When using electrical appliances, basic safety precautions should always be followed including:

- Read all instructions, including these important safeguards and the care and use instructions in this manual.
- Always unplug from outlet when not in use and before cleaning. Allow to cool before putting on or taking off parts and before cleaning.
- Close supervision is necessary when this appliance is used by or near children.
- Do not operate any appliance with a damaged cord or plug, after the appliance malfunctions, or has been damaged in any manner. For service information see warranty page.
- The use of accessory attachments not recommended by Focus Electrics may cause fire, electric shock, or injury.
- Do not use this appliance outdoors.
- Do not let cord hang over the edge of the table or counter, or touch hot surfaces.
- Do not place on or near a hot gas or electric burner, or in a heated oven.
- To disconnect, turn control to "OFF," then remove plug from wall outlet.
- Do not use appliance for other than intended use.
- To protect against electric shock, do not immerse cord, plugs, or other electric parts in water or other liquids.
- Do not attempt to repair this appliance yourself.
- A short power-supply cord is provided to reduce risks resulting from becoming entangled in or tripping over a longer cord.
- Longer extension cords are available, but care must be excersized in their use. While use of an extension cord is not recommended, if you must use one, ensure that the marked electrical rating of the extension cord is equal to or greater than that of the appliance. If the plug is of the grounded type, the extension cord must be a grounding-type 3-wire cord. To avoid pulling, tripping or entanglement, position the extension cord so that it does not hang over the edge of the counter, table or other area where it can be pulled on by children or tripped over.
- This appliance has a polarized plug (one blade is wider than the other). To reduce the risk of electric shock, this plug is intended to fit into a polarized outlet only one way. If the plug does not fit fully into the outlet, reverse the plug. If it still does not fit, contact a qualified electrician. Do not attempt to modify the plug in any way.

- Do not use an outlet or extension cord if the plug fits loosely or if the outlet or extension cord feels hot.
- **For household use only.**

## SAVE THESE INSTRUCTIONS



### BEFORE USING FOR THE FIRST TIME

**Please check all packaging material carefully before discarding. Accessory parts may be contained within the packaging material.**

See "Cleaning your Old-Fashioned Ice Cream Maker™" section of this manual. **Do NOT** immerse the motor unit or cord in water or any other liquid.

The stir stick comes unassembled. Assemble by placing the open end of the stir stick in to the open end of the handle. Push together as far as you can. Holding upside down by stick end, secure stick end into handle with a firm tap on a countertop or table.

Your bucket is made of wood, a natural material that can discolor or leech. You may notice a crystalline or tacky discoloration on the cut ends of the wood; this is normal. Simply wipe the discolored area with a warm, damp, soapy cloth to remove any deposits.

## USING YOUR OLD-FASHIONED ICE CREAM MAKER™

1. Before each use, pour water into the bucket until it's about  $\frac{2}{3}$  full, and leave in the sink or a water-safe area for a minimum of  $1\frac{1}{2}$  hours; longer is also acceptable. This will give the wood a chance to expand so that the bucket will not leak during the freezing process. **Note:** Soaking expands the wood to help prevent leaking. However, this will not prevent all drips, as wood cannot seal completely. Some leakage may occur during use.
2. Place the freezing canister, lid, and mixing paddle into the freezer while the bucket is soaking. **Note:** Do not freeze the freezing canister when it is wet; always dry it thoroughly before freezing.
3. Prepare ingredients as directed in the recipe. For best results, prepare the ice cream mixture the day before and chill overnight.
4. After at least  $1\frac{1}{2}$  hours of soaking, empty the water from the bucket prior to making ice cream.
5. Pour the chilled ice cream mixture into the chilled freezing canister. Do not fill the freezing canister above the "MAX" line, as the ice cream mixture will expand during the freezing process.
6. Insert the rounded end of the mixing paddle into the center indentation of the freezing canister.
7. Place the lid on the freezing canister, inserting the mixing paddle post through the center of the lid.
8. Place the freezing canister in the wooden bucket, aligned with the centering bracket in the bottom of the bucket.
9. Slide the rectangular end of the motor unit into the rectangular hole on the rim of the bucket. Align the mixing paddle post in the hole in the center of the motor unit. The rounded end of the motor unit will drop into the open end, above the latch. You may need to rotate the freezing canister so the mixing paddle post fits into the motor. Gently lift the latch, placing the wire over the rounded end of the motor.
10. Evenly distribute about 6 cups of ice around the base of the freezing canister. The ice should be small or coarsely crushed pieces. Break any large clumps apart. Ice can be crushed using a mallet or hammer if needed. For each batch of ice cream, expect to use 1-2 medium bags of ice, about 7-14 pounds.
11. Cover the first layer of ice evenly with about  $\frac{1}{2}$  cup of rock salt.
12. Repeat steps 10 and 11, layering ice and salt until it reaches  $\frac{1}{2}$  inch below the hole on the side of the bucket; do not over fill.
13. Add cold water to the ice/salt mixture until the water level reaches  $\frac{1}{2}$  inch below the bottom of the drain hole. **Note:** Adding too much water or ice will cause the ice/salt mixture to leak out of the drainage hole and will prevent the ice cream from churning.
14. Plug the cord into a 120 volt, AC outlet ONLY.
15. Press the "ON/OFF" switch on the motor unit to "ON." As the freezing canister turns, stir and mix the salt and ice together using the plastic stir stick. Do this every 10-15 minutes while the ice cream maker is in use. Do not stop the mixing process prematurely.
16. When the ice melts down 2 to 3 inches, more ice and rock salt should be added.
17. It will take approximately 30-40 minutes for the ice cream to be made. If the motor stops before 30 minutes has elapsed, press the "ON/OFF" switch to "OFF," and check for one of the following issues.

- If the canister or mixing paddle stops prematurely, check for a piece of ice blocking the canister from turning. If ice has caused the blockage, keep the motor “OFF,” and mix the ice with the plastic stir stick.
  - If the mixing paddle gets stuck, check the consistency of the ice cream around the edges of the canister. If it is frozen, use a spatula to loosen it.
    - Hard ingredients, such as chocolate chips and nuts, can cause the mixing paddle to get stuck. Add these when ice cream is finished.
    - If the mixing process is cancelled by the user, the ice cream will harden and restrict the movement of the mixing paddle.
18. After about 30-40 minutes, the motor should automatically shut off. The freezing process is now complete. After the motor has stopped, press the “ON/OFF” switch to “OFF.” Unplug the appliance from the outlet. **Do not let the ice cream maker run for longer than 40 minutes.**
  19. With one hand on the freezing canister lid, unlatch and remove the motor unit from the wooden bucket. The freezing canister may float in the ice/water.
  20. Remove the freezing canister from the water and wipe it with a towel to remove the salt and water.
  21. Remove the lid, then the mixing paddle and scrape the excess ice cream off of the mixing paddle with a spatula.
  22. Serve ice cream immediately or transfer the ice cream to an air tight, freezer-safe container and freeze. **Note:** Because homemade ice cream does not contain the preservatives that store bought ice cream has, homemade ice cream will not last for more than a week.
    - A small amount of smoke and/or odor may occur upon use due to the release of manufacturing oils – this is normal.
    - Some minor expansion/contraction sounds may occur during use – this is normal.

## HELPFUL HINTS

- Your bucket is made of wood, a natural material that can discolor or leech. You may notice a crystalline or tacky discoloration on the cut ends of the wood; this is normal. Simply wipe the discolored area with a warm, damp, soapy cloth to remove any deposits.
- Homemade ice cream recipes use only fresh ingredients; therefore, they do not have the same consistency as store-bought ice creams which use gums and preservatives to make them firmer. If you prefer a firmer consistency, place the frozen ice cream in an airtight container and store it in the freezer for one or more hours until the desired consistency is achieved. ***Homemade ice cream generally has the consistency of a thick milkshake.***
- For recipes that require pre-cooking, prepare the ice cream base mixture a day ahead and store overnight in the refrigerator. This will allow it to completely cool and increases the volume of ice cream produced.
- Ice cream base mixtures may be stored in the refrigerator up to 3 days prior to making ice cream. Be sure to mix well before adding the mixture to the freezing canister.
- The most common ingredients in ice cream are cream, sugar, eggs, and milk. For the richest flavor and creamiest texture, use a cream containing the highest percentage of fat. Heavy cream has the highest fat content (approximately 36%), Whipping Cream (30%), Coffee/Light Cream (18%), and Half & Half (10%). Substitutions of milk products (both cream and milk) may be used to reduce the fat content. However, this may change the taste, consistency, and

texture of the ice cream. When substituting ingredients, be sure the total liquid measurement remains the same as the original recipe.

- Homemade ice cream will taste less sweet than the ice cream base mixture. If your ice cream is not sweet enough, you can adjust the amount of sugar used, keeping in mind that the sweetness will be lessened during the freezing process.
- Artificial sweeteners may be used to replace sugar in a recipe. Add only to a cooled ice cream base mixture as heat affects the sweetness.
- For recipes containing alcohol, manually add the alcohol after the completion of the freezing cycle. Alcohol can adversely affect the freezing process if added too early. Do not attempt to restart the motor to mix after adding alcohol.
- The ice cream mixture must be liquid before freezing. Do not use stiff or frozen ingredients such as whipped cream or frozen liquids or juices.
- Ice cream should be stored in airtight containers in the freezer. Do NOT store in the freezing canister.
  - If you would like to make your ice cream harden more, when churning is finished, remove the mixing paddle and place the lid on the canister. Place in the freezer for about half an hour to harden. Do not leave in the freezer for longer.
  - Or, leave the canister in the wooden bucket and remove the mixing paddle from the canister. Add more ice to the ice/salt mixture. Cover with a towel and let it sit until the ice cream is firm.
- Possible reasons for the ice cream mixture not freezing properly:
  - The mixture was too warm. Ingredients, freezing canister, lid, and paddle should be chilled prior to mixing and should be kept refrigerated until ready to freeze in the ice cream maker.
  - The proportion of ingredients was incorrect. Check your recipe carefully and if substitutions were made, be sure the total liquid ingredients are equal to the original recipe.
  - Using too little rock salt inhibits the freezing process. Using too much rock salt can cause the mixture to freeze too quickly causing ice crystals to form in the ice cream.
  - Do not stop during the churning process. This can cause ice crystals to form and will cause a grainy texture.

## CLEANING YOUR OLD-FASHIONED ICE CREAM MAKER™

1. Press the "ON/OFF" switch to "OFF." Unplug the ice cream maker before cleaning.
2. Wipe the electric motor with a slightly damp cloth. Do NOT immerse motor unit in water or any other liquid.
3. Clean wooden bucket thoroughly with soapy sponge to remove salt-water residue. Rinse thoroughly, and let air dry. **Note:** Some stain may come off of the bucket during use and cleaning; **this is normal.** Check to make sure the outside of the bucket is free of salt or water, to prevent corrosion of the metal bands.
4. Wash the freezing canister, lid, mixing paddle, and plastic stir stick with hot, soapy water. Rinse and dry thoroughly. Do not replace the lid until the freezing canister is completely dry.
5. Do not use any harsh or abrasive cleansers on any part of the ice cream maker. **Do not** put any part of the ice cream maker in the dishwasher.

## RECIPES

### Quick and Easy Chocolate Ice Cream

- 1 cup Cocoa Powder
- 3 large cans Condensed Milk
- 6 cups Whole Milk

In a large mixing bowl, combine milk and condensed milk. In a separate dish, mix enough hot water with the cocoa powder to create a consistency like melted chocolate. Once the cocoa powder is a liquid, stir it into the milk mixture until completely blended. Pour the entire contents of the bowl into the freezing canister and follow directions in the "Using Your Old-Fashioned Ice Cream Maker™" section. Do not fill the freezing canister above the "MAX" line, as the mixture will expand during freezing.

### Vanilla Ice Cream

- 2 cups Granulated Sugar
- 1½ tbsp Corn Starch
- ¼ tsp Salt
- 7 cups Milk
- 5 Eggs, beaten
- 1½ tbsp Vanilla
- 2¾ cups Heavy Cream
- 1½ cups Half and Half

Mix the sugar, corn starch, and salt in a large saucepan. Over medium heat, slowly stir in the milk, stirring constantly. Very slowly add the beaten eggs and continue to stir. Reduce heat to low and cook until mixture thickens slightly. Slowly add vanilla, half and half, and heavy cream. Pour into a large glass bowl and refrigerate for 2-4 hours or until mixture has chilled. Remove from refrigerator. Pour mixture into the freezing canister and follow the directions in the "Using Your Old-Fashioned Ice Cream Maker™" section. Do not fill the freezing canister above the "MAX" line, as the mixture will expand during freezing.

### Coffee Ice Cream

- 4 ½ cups Half and Half
- 6 cups Cream
- 4 ½ tbsp Instant Coffee Powder
- 2 ¼ cup Sugar

Combine all ingredients in a mixing bowl. Stir well until both sugar and instant coffee powder are dissolved. Pour into the freezing canister and freeze as instructed. Do not fill the freezing canister above the "MAX" line, as the mixture will expand during freezing.

### Cookie Dough Ice Cream

- 1 cup Chocolate Chip Cookie Dough (crumbled into small pieces)
- 2 ¼ cups Sugar
- 6 cups Heavy Cream
- 1 cup mini Chocolate Chips
- 6 large Eggs
- 3 cups Milk

Place the cookie dough and the chocolate chips in a separate bowl. Cover and chill until cold. Whisk the eggs in a mixing bowl 1-2 minutes until light and fluffy. Slowly mix in sugar, whisking until completely blended. Slowly add cream and milk and whisk until blended. Pour mixture into the freezing canister and follow the directions in the "Using Your Old-Fashioned Ice Cream Maker™" section. Do not fill the freezing canister above the "MAX" line, as the mixture will expand during freezing. When the mixture has finished churning, add cookie dough and chocolate chips and stir in evenly.

### **Rocky Road Ice Cream**

1 $\frac{3}{4}$ cup Granulated Sugar	6 cups Whipping Cream
$\frac{1}{2}$ tsp Salt	1 tbs Vanilla Extract
2 cups Milk	2 cups Mini Marshmallows
6 squares Semi-sweet Chocolate	1 $\frac{1}{2}$ cups Chocolate Chips
2 cups Half and Half	1 cup Chopped Pecans

Mix the milk and chocolate in a large saucepan. Over medium heat stir until the chocolate is completely melted. Remove from heat and slowly add sugar and salt, mixing well, until dissolved. Stir in the remaining ingredients except the marshmallows, pecans, and chocolate chips, and then cover and refrigerate for about 30 minutes or until mixture has chilled. Pour mixture into the freezing canister and follow the directions in the "Using Your Old-Fashioned Ice Cream Maker™" section. Do not fill the freezing canister above the "MAX" line, as the mixture will expand during freezing. Add marshmallows, pecans, and chocolate chips after the ice cream has finished churning and stir in evenly.

### **Peanut Butter Chocolate Chip Ice Cream**

2 $\frac{2}{3}$ cups Granulated Sugar	2 cups Heavy Cream
2 tbs Corn Starch	1 $\frac{1}{2}$ cups Half and Half
$\frac{1}{2}$ tsp Salt	1 $\frac{1}{2}$ cup Chocolate Chips
1 $\frac{1}{2}$ tsp Vanilla	1 cup Peanut Butter or melted Peanut Butter Chips
6 cups Milk	
4 Eggs, beaten	

Mix the sugar, corn starch, and salt in a large saucepan. Over medium heat, slowly stir in the milk, stirring constantly. Very slowly, add the beaten eggs and continue to stir. Reduce heat to low and cook until mixture thickens slightly. Slowly stir in peanut butter and whisk until all peanut butter is combined and mixture is smooth. Slowly add vanilla, half and half, and heavy cream. Pour into a large glass bowl and refrigerate for 2-4 hours or until mixture has chilled. Remove from refrigerator. Pour mixture into the freezing canister and follow the directions in the "Using Your Old-Fashioned Ice Cream Maker™" section. Do not fill the freezing canister above the "MAX" line, as the mixture will expand during freezing. Stir in chocolate chips once ice cream is finished churning and stir evenly.



## PRODUCT WARRANTY

### Appliance 1 Year Limited Warranty

Focus Electrics, LLC ("Focus Electrics") warrants this appliance from failures in the material and workmanship for one (1) year from the date of original purchase with proof of purchase, provided the appliance is operated and maintained in conformity with the provided Instruction Manual. Any failed part of the appliance will be repaired or replaced without charge at Focus Electrics' discretion. This warranty applies to indoor household use only.

This warranty does not cover any damage, including discoloration, to any non-stick surface of the appliance. This warranty is null and void, as determined solely by Focus Electrics if the appliance is damaged through accident, misuse, abuse, negligence, scratching, or if the appliance is altered in any way.

THIS WARRANTY IS IN LIEU OF ALL IMPLIED WARRANTIES, INCLUDING WARRANTIES OF MERCHANTABILITY, FITNESS FOR A PARTICULAR PURPOSE, PERFORMANCE, OR OTHERWISE, WHICH ARE HEREBY EXCLUDED. IN NO EVENT SHALL FOCUS ELECTRICS BE LIABLE FOR ANY DAMAGES, WHETHER DIRECT, INDIRECT, INCIDENTAL, FORSEEABLE, CONSEQUENTIAL, OR SPECIAL, ARISING OUT OF OR IN CONNECTION WITH THIS APPLIANCE.

If you think the appliance has failed or requires service within its warranty period, please contact the Focus Electrics Customer Service Department at (866) 290-1851, or e-mail us at [service@focuselectrics.com](mailto:service@focuselectrics.com). A receipt proving the original purchase date will be required for all warranty claims, **hand written receipts are not accepted**. You may also be required to return the appliance for inspection and evaluation. Return shipping costs are not refundable. Focus Electrics is not responsible for returns lost in transit.

**Valid only in USA and Canada**

## REPLACEMENT PARTS

Replacement parts, if available, may be ordered directly from Focus Electrics, LLC several ways. Order online at [www.focuselectrics.com](http://www.focuselectrics.com), e-mail [service@focuselectrics.com](mailto:service@focuselectrics.com), over the phone by calling (866)290-1851, or by writing to:

Focus Electrics, LLC  
Attn: Customer Service  
P. O. Box 2780  
West Bend, WI 53095

To order with a check or money order, please first contact Customer Service for an order total. Mail your payment along with a letter stating the model or catalog number of your appliance, which can be found on the bottom or back of the unit, a description of the part or parts you are ordering, and the quantity you would like. Your check should be made payable to Focus Electrics, LLC.

Your state/province's sales tax and a shipping fee will be added to your total charge. Please allow two weeks for processing and delivery.

This manual contains important and helpful information regarding the safe use and care of your new Focus Electrics product. For future reference, attach dated sales receipt for warranty proof of purchase and record the following information:

Date purchased or received as gift: \_\_\_\_\_

Where purchased and price, if known: \_\_\_\_\_

Item number and Date Code (shown bottom/back of product): \_\_\_\_\_

## NOTES

# West Bend®

## MACHINE À GLACE À L'ANCIENNE™

Mode d'emploi



Enregistrez ce produit et les autres produits Focus Electrics sur notre site Internet :  
[www.registerfocus.com](http://www.registerfocus.com)

Précautions Importantes .....	2
Avant la Première Utilisation .....	3
Utilisation de votre Machine à Glace à l'ancienne™ .....	4
Astuces .....	6
Nettoyage de votre Machine à Glace à l'ancienne™ .....	7
Recettes .....	7
Garantie .....	10

**CONSERVEZ CE MANUEL D'INSTRUCTIONS POUR RÉFÉRENCE FUTURE**

# PRECAUTIONS IMPORTANTES



## MISE EN GARDE

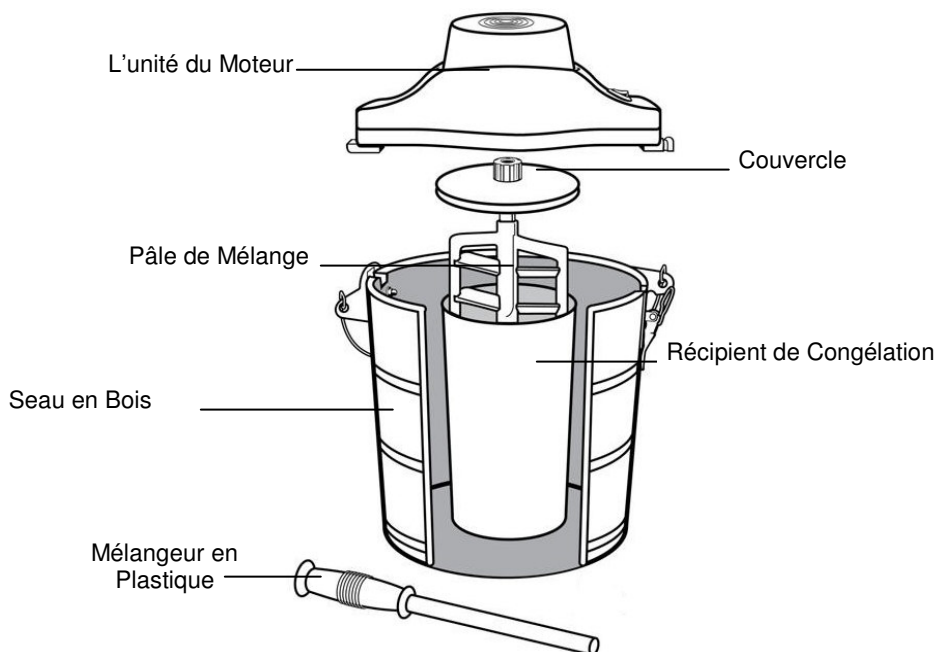
**Pour empêcher toute blessure physique ou tout dommage matériel, lisez et suivez toutes les consignes et mises en garde.**

Lorsque vous utilisez des appareils électriques, les précautions de sécurité élémentaires devraient toujours être respectées, notamment :

- Lisez toutes les instructions, notamment les présentes précautions importantes, ainsi que les consignes pour l'entretien de ce manuel.
- Débranchez toujours l'appareil du secteur lorsque vous ne l'utilisez pas et avant de le nettoyer. Laissez refroidir avant de mettre en place ou de retirer des pièces ainsi qu'avant de procéder au nettoyage.
- Une surveillance rapprochée est nécessaire en cas d'utilisation d'un appareil par des enfants ou en présence d'enfants.
- N'utilisez aucun appareil dont le cordon ou la fiche sont endommagés, si l'appareil a dysfonctionné ou s'il a été détérioré de quelque manière que ce soit. Pour des renseignements sur les réparations, voir la page de garantie.
- L'utilisation d'accessoires non recommandés par Focus Electric risque de provoquer des blessures.
- N'utilisez pas cet appareil à l'extérieur.
- Ne laissez pas le cordon pendre depuis l'extrémité de la table ou du plan de travail, ou ne le laissez pas entrer en contact avec une surface à haute température.
- Ne placez pas l'appareil sur ou à proximité d'une gazinière chaude ou d'un brûleur électrique, ou dans un four chaud.
- Pour débrancher l'appareil, tournez toute commande sur « OFF » (arrêt) puis retirez la fiche de la prise murale.
- N'utilisez pas l'appareil pour un usage autre que celui pour lequel il a été conçu.
- Pour vous protéger contre tout choc électrique, n'immergez pas le cordon, les fiches ni aucune autre pièce électrique dans l'eau ni dans tout autre liquide.
- Ne tentez pas de réparer cet appareil vous-même.
- Des cordons de rallonge plus longs sont disponibles, mais vous devez faire preuve de prudence lors de leur utilisation. Bien que l'utilisation d'un cordon de rallonge ne soit pas recommandée, si vous devez en utiliser un, assurez-vous que la puissance nominale indiquée pour le cordon de rallonge est égale ou supérieure à celle de l'appareil. Si la fiche est raccordée à la terre, le cordon de rallonge doit lui aussi proposer un raccordement à la terre. Pour éviter de tirer sur le cordon, de trébucher ou de s'emmêler dedans, positionnez le cordon de rallonge de sorte qu'il ne pende pas depuis l'extrémité du plan de travail, de la table ou de toute zone où des enfants pourraient tirer dessus ou trébucher.

- Cet appareil est pourvu d'une fiche polarisée (une lame est plus large que l'autre). Afin de réduire le risque de choc électrique, cette fiche est conçue pour être branchée sur une prise secteur polarisée uniquement dans un sens. Si la fiche ne s'adapte pas complètement dans la prise secteur, retournez la fiche. Si elle ne s'adapte toujours pas, contactez un électricien qualifié. Ne tentez pas de modifier la fiche de quelque manière que ce soit.
- N'utilisez pas une prise secteur ou un cordon de rallonge si la fiche s'adapte avec un jeu ou si la prise secteur ou le cordon de rallonge vous semblent chauds.
- **Pour une utilisation domestique uniquement.**

## CONSERVEZ CES CONSIGNES



### AVANT LA PREMIÈRE UTILISATION

**Veillez vérifier la totalité de l'emballage avec attention avant de le jeter. Il est possible que celui-ci contienne des accessoires.**

Voir la section « Nettoyage de votre Machine à Glace à l'ancienne™ » de ce manuel. Veuillez **ne PAS** plonger l'unité du moteur ou le cordon dans de l'eau ni dans tout autre liquide.

Le bâton mélangeur est fourni démonté. Assemblez-le en plaçant l'extrémité ouverte du bâton mélangeur à l'intérieur de l'extrémité ouverte de la poignée. Poussez-les l'un vers l'autre aussi loin que possible. Tout en maintenant le bâton mélangeur à l'envers en le tenant par l'extrémité du bâton, placez solidement l'extrémité du bâton dans la poignée en les tapotant fermement contre un plan de travail ou contre une table.

Votre seau est en bois, un matériau naturel qui peut se décolorer ou déteindre. Il est possible que vous remarquiez une décoloration cristalline ou superficielle sur les extrémités coupées du bois ; c'est tout à fait normal.

Essayez simplement la zone décolorée à l'aide d'un torchon humidifié à l'aide d'eau savonneuse tiède afin d'éliminer tout dépôt.

## UTILISATION DE VOTRE MACHINE À GLACE À L'ANCIENNE™

1. Avant chaque utilisation, versez de l'eau dans le seau jusqu'à ce qu'il soit plein environ aux  $\frac{3}{4}$ , et laissez-le dans l'évier ou dans une zone qui ne craint pas l'eau pendant un minimum de 1½ heure, une période plus longue est également acceptable. Ceci donnera au bois l'occasion de se dilater de sorte que le seau ne fuie pas pendant le processus de congélation. **Remarque** : Le trempage dilate le bois, ce qui contribue à empêcher les fuites. Toutefois, ceci ne va pas empêcher tous les écoulements, car le bois ne peut pas être complètement étanche. Des fuites peuvent se produire pendant l'utilisation.
2. Placez le récipient de congélation, le couvercle et la pâle de mélange à l'intérieur du congélateur pendant que le seau trempe. **Remarque** : Ne congelez pas le récipient de congélation lorsque celui-ci est humide ; essayez-le toujours méticuleusement avant de le congeler.
3. Préparez les ingrédients en suivant les instructions de la recette. Pour un résultat optimal, préparez le mélange de crème glacée la veille et laissez reposer au frais pendant une nuit.
4. Après au moins 1½ heure de trempage, videz l'eau du seau avant de préparer la glace.
5. Versez le mélange de crème glacée refroidie à l'intérieur du récipient de congélation. Ne remplissez pas le récipient de congélation au-dessus de la ligne "MAX," car le mélange de crème glacée va se dilater pendant le processus de congélation.
6. Insérez l'extrémité arrondie de la pâle de mélange à l'intérieur du cran central du récipient de congélation.
7. Placez le couvercle sur le récipient de congélation, en insérant la tige de la pâle de mélange au centre du couvercle.
8. Placez le récipient de congélation à l'intérieur du seau en bois, en l'alignant avec le support de centrage au fond du seau.
9. Faites glisser l'extrémité rectangulaire de l'unité du moteur dans le trou rectangulaire à l'extrémité du seau. Alignez la tige de la pâle de mélange dans le trou situé au centre de l'unité du moteur. L'extrémité arrondie de l'unité du moteur tombera dans l'extrémité ouverte, au-dessus du verrou. Vous aurez peut-être besoin de faire pivoter le récipient de congélation de sorte que la tige de la pâle de mélange s'adapte à l'intérieur du moteur. Soulevez doucement le loquet, en plaçant le câble sur l'extrémité arrondie du moteur.
10. Distribuez de manière égale environ 6 tasses de glace autour de la base du récipient de congélation. Les glaçons devraient être de petite taille ou pilés grossièrement. Brisez tous les gros morceaux. La glace peut être pilée en utilisant un maillet ou un marteau si nécessaire. Pour chaque lot de crème glacée, attendez-vous à utiliser 1 à 2 sachets moyens de glace, soit environ 7 à 14 livres (3-6 kg).
11. Couvrez la première couche de glace uniformément avec environ ½ tasse de sel gemme.
12. Répétez les étapes 10 et 11, en faisant des couches de glace et de sel jusqu'à ce que vous atteigniez ½ pouce (1.3 cm) au-dessus du trou sur le côté du seau; ne le remplissez pas de manière excessive.
13. Ajoutez de l'eau froide au mélange glace/sel jusqu'à ce que le niveau d'eau atteigne ½ pouce (1.3 cm) au-dessous du bas du trou d'évacuation. **Remarque**:

Ajouter trop d'eau ou de glace provoquera une fuite du mélange glace/sel par le trou d'évacuation et empêchera la crème glacée de se former.

14. Branchez le cordon d'alimentation sur une prise secteur 120 volts AC UNIQUEMENT.
15. Actionnez le bouton « ON/OFF » (marche/ arrêt) de l'unité du moteur pour le positionner sur « ON » (marche). Pendant que le récipient de congélation tourne, mélangez le sel et la glace en utilisant le mélangeur en plastique. Faites-le toutes les 10-15 minutes pendant que la machine à glace est en cours d'utilisation. N'arrêtez pas le processus de mélange de manière prématurée.
16. Une fois que la glace a fondu de 2 à 3 pouces (5 à 7.5 cm), vous devriez rajouter de la glace et du sel gemme.
17. Il faudra environ 30 à 40 minutes pour que la crème glacée soit prête. Si le moteur s'arrête avant que 30 minutes se soient écoulées, actionnez l'interrupteur « ON/OFF » (marche/ arrêt) pour le positionner sur « OFF » (arrêt) puis vérifiez si l'un des problèmes ci-dessous se pose.
  - Si le récipient ou la pâle de mélange s'arrête prématurément, vérifiez si un morceau de glace bloque le récipient et l'empêche de tourner. Si un morceau de glace est à l'origine du blocage, maintenez le moteur en position « OFF » (arrêt) puis mélangez la glace avec le mélangeur en plastique.
  - Si la pâle de mélange se coince, vérifiez la consistance de la crème glacée autour des bords du récipient. Si le mélange est congelé, utilisez une spatule pour le ramollir.
    - Les ingrédients durs, comme les pépites de chocolat et les fruits à coques, peuvent provoquer le blocage de la pâle de mélange. Ajoutez ces ingrédients une fois que la préparation de la crème glacée est terminée.
    - Si le processus de mélange est annulé par l'utilisateur, la crème glacée va se durcir et restreindre le mouvement de la pâle de mélange.
18. Après environ 30 à 40 minutes, le moteur devrait s'éteindre automatiquement. Le processus de congélation est maintenant terminé. Une fois que le moteur est à l'arrêt, actionnez l'interrupteur « ON/OFF » (marche/ arrêt) pour le mettre en position « OFF » (arrêt). Débranchez l'appareil de la prise secteur. **Ne laissez pas la machine à glace tourner pendant plus de 40 minutes.**
19. En gardant une main sur le couvercle du récipient de congélation, déverrouillez puis retirez l'unité du moteur du seau en bois. Le récipient de congélation peut flotter dans la glace/l'eau.
20. Retirez le récipient de congélation de l'eau et essuyez-le à l'aide d'une serviette pour retirer le sel et l'eau.
21. Retirez le couvercle, puis la pâle de mélange et grattez l'excès de crème glacée pour le retirer de la pâle de mélange à l'aide d'une spatule.
22. Servez la crème glacée immédiatement ou transférez la crème glacée dans un récipient hermétique compatible avec la congélation et congelez la glace.  
**Remarque :** La glace maison ne contenant les conservateurs des glaces achetées dans le commerce, la glace maison ne se conserve pas plus d'une semaine.
  - Il est possible qu'une petite quantité de fumée et/ou d'odeur soit émise lors de l'utilisation en raison de la diffusion des huiles de fabrication – c'est tout à fait normal.
  - De petits bruits d'expansion/contraction peuvent être émis pendant l'utilisation – c'est tout à fait normal.

## ASTUCES

- Votre seau est en bois, un matériau naturel qui peut se décolorer ou déteindre. Il est possible que vous remarquiez une décoloration cristalline ou superficielle sur les extrémités coupées du bois ; c'est tout à fait normal. Essayez simplement la zone décolorée à l'aide d'un torchon humidifié à l'aide d'eau savonneuse tiède afin d'éliminer tout dépôt.
- Les recettes de glaces maison utilisent uniquement des ingrédients frais ; par conséquent, elles n'ont pas la même consistance que les glaces achetées dans le commerce qui utilisent de la gomme et des conservateurs pour plus de fermeté. Si vous préférez une texture plus ferme, placez la crème glacée congelée dans un récipient hermétique et conservez-la au congélateur pendant une heure ou plus jusqu'à ce que vous obteniez la texture souhaitée. **La glace maison a généralement la texture d'un milkshake épais.**
- Pour les recettes qui nécessitent une pré-cuisson, préparez le mélange de base de la crème glacée un jour à l'avance et conservez-le une nuit au réfrigérateur. Ceci va lui permettre de refroidir complètement et cela augmentera le volume de la crème glacée produite.
- Les mélanges de base de crème glacée peuvent être conservés au réfrigérateur jusqu'à 3 jours avant la préparation de la crème glacée. Assurez-vous de bien mélanger avant d'ajouter le mélange dans le récipient de congélation.
- Les ingrédients les plus fréquents dans une crème glacée sont la crème, le sucre, les œufs et le lait. Pour la saveur la plus riche et la texture la plus crémeuse, utilisez une crème contenant le pourcentage le plus élevé de matière grasse. La crème épaisse est celle qui a la teneur en matière grasse la plus élevée (environ 36%), la Crème fouettée (30%), la Crème au café/légère (18%), et Half & Half (10%). Vous pouvez utiliser des produits se substituant au lait (à la fois pour la crème et pour le lait) pour réduire la teneur en matière grasse. Toutefois, ceci peut modifier la saveur et la texture de la crème glacée. Lorsque vous substituez des ingrédients, assurez-vous que les mesures totales de liquide demeurent les mêmes que dans la recette d'origine.
- La crème glacée maison a souvent un goût moins sucré que le mélange de base de la crème glacée. Si votre crème glacée n'est pas suffisamment sucrée, vous pouvez ajuster la quantité de sucre utilisée, en gardant à l'esprit que la saveur sucrée sera atténuée pendant le processus de congélation.
- Vous pouvez utiliser des édulcorants artificiels pour remplacer le sucre dans une recette. Ajoutez-les seulement à un mélange de base pour crème glacée refroidi car la chaleur affecte la saveur sucrée.
- Pour les recettes contenant de l'alcool, ajoutez manuellement l'alcool après la fin du cycle de congélation. L'alcool peut avoir un effet négatif sur le processus de congélation s'il est ajouté trop tôt. Ne tentez pas de redémarrer le moteur pour mélanger une fois que vous avez ajouté de l'alcool
- Le mélange de crème glacée doit être liquide avant la congélation. N'utilisez pas d'ingrédients rigides ou congelés comme de la crème fouettée ou des liquides ou jus de fruits congelés.
- La crème glacée devrait être conservée au congélateur dans des récipients hermétiques. Ne la stockez PAS dans le récipient de congélation.
  - Si vous souhaitez faire durcir votre crème glacée davantage, une fois que la congélation est terminée, retirez la pâte de mélange et placez le couvercle ainsi que sur le récipient. Placez le tout au congélateur pendant environ une demi-heure pour que le mélange durcisse. Ne pas laisser au congélateur pendant une période plus longue.



- Ou laissez le récipient dans le seau en bois, retirez la pâle de mélange sur le récipient. Ajoutez de la glace dans le mélange glace/sel. Couvrez avec une serviette et laissez reposer jusqu'à ce que la crème glacée soit ferme.
- Raisons possibles pour que le mélange de crème glacée ne se congèle pas correctement :
  - Le mélange était trop chaud. Les ingrédients, le récipient de congélation, le couvercle et la pâle de mélange devraient être refroidis avant de procéder au mélange et ils devraient être maintenus au frais jusqu'à ce qu'il soit prêt à être congelé dans la machine à glace.
  - La proportion des ingrédients était incorrecte. Vérifiez attentivement votre recette et si des substitutions ont été effectuées, assurez-vous que le total des ingrédients liquide est égal à la recette d'origine.
  - Le fait d'utiliser trop peu de sel gemme inhibe le processus de congélation. Le fait d'en utiliser trop peut provoquer la congélation trop rapide du mélange avec une formation de cristaux de glace dans la crème glacée.
  - N'arrêtez pas pendant le processus de formation de la crème glacée. Ceci risque de provoquer la formation de cristaux de glace et donnera une texture granuleuse.

## NETTOYAGE DE VOTRE MACHINE À GLACE À L'ANCIENNE™

1. Positionnez l'interrupteur « ON/OFF » (marche/ arrêt) sur « OFF » (arrêt). Débranchez la machine à glace avant de la nettoyer.
2. Essuyez le moteur électrique à l'aide d'un chiffon doux légèrement humidifié. Veuillez ne PAS plonger l'unité du moteur dans de l'eau ou dans tout autre liquide.
3. Nettoyez le seau en bois de manière approfondie avec une éponge savonneuse pour éliminer tout résidu d'eau salée. Rincez méticuleusement, et laissez sécher à l'air libre. **Remarque** : Il est possible que de la couleur se détache du seau pendant l'utilisation et le nettoyage ; **c'est tout à fait normal**. Vérifiez pour vous assurer que l'extérieur du seau ne contient pas de sel ni d'eau, afin d'empêcher toute corrosion des bandes métalliques.
4. Lavez le récipient de congélation, le couvercle, la pâle de mélange et le mélangeur en plastique à l'eau savonneuse chaude. Rincez et séchez bien. Ne remettez pas le couvercle en place tant que le récipient de congélation n'est pas complètement sec.
5. N'utilisez aucun détergent puissant ou abrasif sur aucune des parties de la machine à glace. Veuillez **ne** placer **aucune** des pièces de la machine à glace au lave-vaisselle.

## Crème Glacée au Chocolat Rapide et Facile

- |                                   |                         |
|-----------------------------------|-------------------------|
| 1 tasse de poudre de cacao        | 6 tasses de lait entier |
| 3 grandes boîtes de lait condensé |                         |

Dans un grand saladier de mélange, incorporez le lait et le lait condensé. Dans un plat séparé, mélangez suffisamment d'eau chaude avec la poudre de cacao pour créer une consistance ressemblant à du chocolat fondu. Une fois que la poudre de cacao est liquide, ajoutez-la au mélange de lait en mélangeant jusqu'à ce que la préparation soit homogène. Versez la totalité du contenu du saladier dans le récipient de congélation puis suivez les instructions de la section « Utilisation de votre Machine à Glace à l'ancienne™ ». Ne remplissez pas le récipient de congélation au-dessus de la ligne « MAX » car le mélange va se dilater pendant la congélation.

## Crème Glacée à la Vanille

- |                                     |                                |
|-------------------------------------|--------------------------------|
| 2 tasses de sucre en poudre         | 5 œufs, battus                 |
| 1½ cuiller à soupe d'amidon de maïs | 1½ cuillers à soupe de vanille |
| ¼ cuiller à café de sel             | 2¾ tasses de crème épaisse     |
| 7 tasses de lait                    | 1½ tasses de Half and Half     |

Mélangez le sucre, l'amidon de maïs et le sel dans une grande casserole. Sur chaleur moyenne, mélangez lentement le lait en l'ajoutant, et mélangez en permanence. Ajoutez très lentement les œufs battus et continuez à mélanger. Réduisez la chaleur sur faible et laissez cuire jusqu'à ce que le mélange s'épaississe légèrement. Ajoutez lentement la vanille, la Half and Half, et la crème épaisse. Versez dans un grand saladier de verre et réfrigérez pendant 2 à 4 heures ou jusqu'à ce que le mélange ait refroidi. Retirez la préparation du réfrigérateur. Versez le mélange dans le récipient de congélation et suivez les consignes de la section « Instructions ». Ne remplissez pas le récipient de congélation au-dessus de la ligne « MAX » car le mélange va se dilater pendant la congélation.

## Crème Glacée au Café

- |                             |  |
|-----------------------------|--|
| 4 ½ tasses de Half and Half | 4½ cuillers à café de poudre de café soluble |
| 6 tasses de crème           | 2 ¼ tasse de sucre                           |

Combinez tous les ingrédients dans un saladier de mélange. Mélangez bien jusqu'à ce que le sucre et la poudre de café soluble soient dissous. Versez le mélange dans le récipient de congélation et congelez conformément aux instructions. Ne remplissez pas le récipient de congélation au-dessus de la ligne « MAX » car le mélange va se dilater pendant la congélation.

## Crème Glacée à la Pâte de Cookie

- |  |                                     |
|--|-------------------------------------|
| 1 tasse de pâte de cookie aux pépites de chocolat (en petits morceaux) | 1 tasse de mini pépites de chocolat |
| 2 ¼ tasses de sucre  | 6 gros œufs                         |
| 6 tasses de crème épaisse  | 3 tasses de lait                    |

Placez la pâte à cookies et les pépites de chocolat dans un saladier séparé. Couvrez et maintenez-les au frais jusqu'à ce que l'ensemble soit froid. Fouettez les œufs dans un saladier de mélange pendant 1 à 2 minutes jusqu'à ce qu'ils soient légers et floconneux. Ajoutez lentement le sucre en mélangeant, et fouettez jusqu'à ce que le sucre soit complètement incorporé. Ajoutez lentement la crème et le lait puis fouettez jusqu'à ce qu'ils soient mélangés. Versez le mélange dans le récipient de congélation et suivez les instructions de la section « Utilisation de votre Machine à Glace à l'ancienne™ ». Ne remplissez pas le récipient de mélange au-dessus de la ligne « MAX » car le mélange va se dilater pendant la congélation. Lorsque la préparation du mélange est terminée, ajoutez la pâte à cookie et les pépites de chocolat et mélangez jusqu'à ce que la préparation soit homogène.

### **Crème Glacée « Rocky Road »**

1 $\frac{3}{4}$ tasse de sucre en poudre	6 tasses de crème fouettée
$\frac{1}{2}$ cuiller à café de sel	1 cuiller à soupe d'extrait de vanille
2 tasses de lait	2 tasses de mini marshmallows
6 carrés de chocolat demi-sucré	1 $\frac{1}{2}$ tasses de pépites de chocolat
2 tasses de Half and Half	1 tasse de noix de pécan pilées

Mélangez le lait et le chocolat dans une grande casserole. Sur feu moyen, mélangez jusqu'à ce que le chocolat ait complètement fondu. Retirez du feu et ajoutez lentement le sucre et le sel, en mélangeant bien, jusqu'à ce qu'ils soient dissous. Incorporez les ingrédients restant sauf les marshmallows, les noix de pécan et les pépites de chocolat, puis couvrez et réfrigérez pendant environ 30 minutes ou jusqu'à ce que le mélange ait refroidi. Versez le mélange dans le récipient de congélation et suivez les instructions de la section « Utilisation de votre Machine à Glace à l'ancienne™ ». Ne remplissez pas le récipient de congélation au-dessus de la ligne « MAX » car le mélange va se dilater pendant la congélation. Ajoutez les marshmallows, les noix de pécan et les pépites de chocolat une fois que la crème glacée a fini de se former et incorporez-les de façon uniforme.

### **Crème Glacée au Beurre de Cacahuètes et aux Pépites de Chocolat**

2 $\frac{2}{3}$ tasses de sucre en poudre	2 tasses de crème épaisse
2 cuillers à soupe d'amidon de maïs	1 $\frac{1}{3}$ tasses de Half and Half
$\frac{1}{2}$ cuiller à café de sel	1 $\frac{1}{2}$ tasse de pépites de chocolat
1 $\frac{1}{2}$ cuiller à café de vanille	1 tasse de beurre de cacahuètes ou de pépites de beurre de cacahuète fondues
6 tasses de lait	
4 œufs, battus	

Mélangez le sucre, l'amidon de maïs et le sel dans une grande casserole. Sur feu moyen, incorporez lentement le lait, en mélangeant constamment. Très lentement, ajoutez les œufs battus et continuez à mélanger. Réduisez le feu sur bas et faites cuire jusqu'à ce que le mélange épaississe légèrement. Incorporez lentement le beurre de cacahuètes et fouettez jusqu'à ce que tout le beurre de cacahuètes ait été incorporé et que le mélange soit homogène. Ajoutez lentement la vanille, la Half and Half et la crème épaisse. Versez le mélange dans un grand saladier de verre et réfrigérez-le pendant 2 à 4 heures ou jusqu'à ce que la préparation soit froide. Retirez le saladier du réfrigérateur. Versez le mélange dans le récipient de congélation et suivez les instructions de la section « Utilisation de votre Machine à Glace à l'ancienne™ ». Ne remplissez pas le récipient de congélation au-dessus de la ligne « MAX » car le mélange va se dilater pendant la congélation. Intégrez les pépites de chocolat une fois que la crème glacée a fini de se former et mélangez uniformément.

## GARANTIE DU PRODUIT

### Garantie limitée de 1 an de l'appareil

Focus Electrics, LLC (« Focus Electrics ») garantit cet appareil contre tout défaut de pièces et de main d'œuvre pendant un (1) an à compter de la date d'achat d'origine avec un justificatif d'achat, à condition que l'appareil soit utilisé et entretenu conformément aux recommandations du Mode d'emploi fourni. Toute pièce défectueuse de l'appareil sera réparée ou remplacée sans frais à la discrétion de Focus Electrics. La présente garantie s'applique pour une utilisation domestique à l'intérieur uniquement.

Cette garantie ne prend pas en charge les dégâts, y compris la décoloration, subis par toute surface antiadhésive de l'appareil. Cette garantie est nulle et non avenue, tel que défini uniquement par Focus Electrics si l'appareil est détérioré par accident, mauvaise utilisation, utilisation abusive, négligence, rayure, ou si l'appareil est détérioré de quelque manière que ce soit.

LA PRÉSENTE GARANTIE ANNULE ET REMPLACE TOUTES LES GARANTIES INDUITES, NOTAMMENT LES GARANTIES DE COMMERCIALISATION, D'ADAPTATION À UN USAGE PARTICULIER, DE PERFORMANCE, OU AUTRE, QUI SONT ICI EXCLUES. EN AUCUN CAS FOCUS ELECTRICS NE POURRA ÊTRE TENUE POUR RESPONSABLE DE TOUT DÉGÂT, QUE CELUI-CI SOIT DIRECT, INDIRECT, SECONDAIRE, PRÉVISIBLE, INDUIT OU PARTICULIER, RÉSULTANT DE OU EN RAPPORT AVEC CET APPAREIL.

Si vous pensez que cet appareil est défectueux ou a besoin d'être réparé pendant la durée de sa garantie, veuillez contacter le Service clientèle de Focus Electrics au (866) 290-1851 ou nous adresser un e-mail à [service@focuselectrics.com](mailto:service@focuselectrics.com). Les frais d'expédition de retour sont non remboursables. Un justificatif prouvant la date d'achat d'origine sera exigé pour toutes les demandes de prise en charge dans le cadre de la garantie, **les factures manuscrites ne sont pas acceptées**. Focus Electrics n'est pas responsable pour les retours perdus pendant le transport.

**Valable uniquement aux USA et au Canada**

## PIÈCES DE RECHANGE

Les pièces de rechange, lorsque celles-ci sont disponibles, peuvent être commandées directement auprès de Focus Electrics en ligne sur [www.focuselectrics.com](http://www.focuselectrics.com), ou vous pouvez téléphoner ou envoyer un e-mail au service entretien au numéro/à l'adresse e-mail ci-dessus, ou vous pouvez nous écrire à :

Focus Electrics, LLC  
Attn : Service clientèle  
P. O. Box 2780  
West Bend, WI 53095

Assurez-vous d'inclure le numéro de catalogue/modèle de votre appareil (situé sur le dessous/à l'arrière de l'appareil) accompagné d'une description et de la quantité de la pièce que vous souhaitez commander. Ajoutez également votre nom, votre adresse postale, un numéro de carte Visa/MasterCard, une date d'expiration ainsi que le nom tel qu'il apparaît sur la carte. Vous pouvez payer par chèque à l'ordre de Focus Electrics, LLC. Appelez le Service clientèle pour obtenir le montant de l'achat. La taxe de vente de votre état ainsi que des frais d'expédition/de traitement seront ajoutés au total de la facture. Veuillez patienter deux (2) semaines pour la livraison.

Ce manuel contient des informations importantes et utiles concernant l'utilisation sans danger et l'entretien de votre nouveau produit Focus Electrics. Pour une consultation ultérieure, fixez le ticket de caisse daté pour servir de justificatif d'achat et inscrivez les informations suivantes :

Date d'achat ou de réception en cadeau : \_\_\_\_\_

Lieu d'achat et prix, si connu : \_\_\_\_\_

Numéro de l'article et Code de date (dessous/arrière de l'appareil) : \_\_\_\_\_

## NOTES

# West Bend®

## MÁQUINA DE HELADOS TRADICIONALES™

Manual de Instrucciones



Registre éste y otros productos de Focus Electrics en nuestro sitio:  
**[www.registerfocus.com](http://www.registerfocus.com) en Internet**

Precauciones Importantes.....	2
Antes de Usar por Primera Vez.....	3
Cómo utilizar la Máquina de Helados Tradicionales™.....	4
Consejos Prácticos.....	6
Limpieza de la Máquina de Helados Tradicionales™.....	7
Recetas.....	7
Garantía.....	10

**CONSERVE ESTAS INSTRUCCIONES COMO REFERENCIA PARA EL FUTURO**

© 2011 West Bend®, una Marca de Focus Electrics, LLC.  
[www.westbend.com](http://www.westbend.com)

Download from [Www.Somanuals.com](http://Www.Somanuals.com). All Manuals Search And Download.

# PRECAUCIONES IMPORTANTES



## PRECAUCIÓN

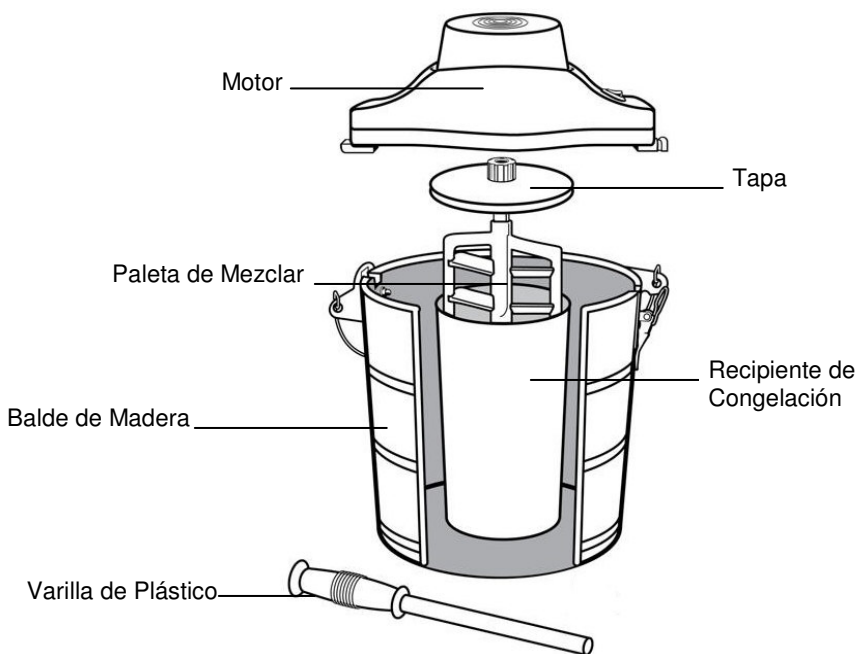
**Para evitar lesiones personales o daños materiales, lea y acate todas las instrucciones y advertencias.**

Al utilizar artefactos electrodomésticos, siempre deben acatarse las precauciones básicas de seguridad incluyendo las siguientes:

- Lea todas las instrucciones en este manual, incluso estas importantes precauciones, así como las instrucciones de uso y cuidado.
- Desenchúfelo siempre del tomacorriente cuando no esté en uso y antes de limpiarlo. Permita que se enfríe antes de colocarle o quitarle piezas o antes de limpiarlo.
- Debe estar muy pendiente de los niños cuando se use un artefacto electrodoméstico sea usado por ellos o cerca de ellos.
- No opere ningún artefacto electrodoméstico con un cordón eléctrico o enchufe dañado o si el artefacto electrodoméstico funciona mal o ha sido dañado de cualquier manera. Para información relativa al servicio de reparaciones vea la página de garantías.
- El uso de accesorios no recomendados por Focus Electrics puede ser causa de lesiones.
- No use este artefacto electrodoméstico al aire libre.
- No deje que el cordón eléctrico cuelgue sobre el borde de la mesa o encimera, ni que toque superficies calientes.
- No lo coloque sobre o cerca de un calentador eléctrico o a gas, o en un horno caliente.
- Para desconectar, coloque cualquier control en la posición "OFF" (apagado), y luego desenchufe del tomacorriente.
- No utilice el artefacto electrodoméstico para usos distintos del indicado.
- Para protegerse contra descargas eléctricas no sumerja el cable, enchufes, u otras partes eléctricas en agua u otros líquidos.
- No trate de reparar este artefacto electrodoméstico usted mismo.
- Hay disponibles cables de extensión más largos, pero debe tenerse cuidado al usarlos. Aunque no se recomienda utilizar cables de extensión, si debe utilizar uno, asegúrese de que la capacidad eléctrica indicada del cable de extensión sea igual o mayor a la del artefacto. Si el enchufe es del tipo conectado a tierra, el cable de extensión deberá ser un cordón eléctrico de 3 hilos con conexión a tierra. A fin de impedir lesiones que resulten del halar, tropezarse o enredarse en el mismo, coloque el cable de extensión de tal modo que no cuelgue del borde de un mostrador, mesa u otra superficie donde pueda ser halado por niños o se pueda tropezar con él.

- Este artefacto electrodoméstico tiene un enchufe polarizado (una clavija es más ancha que la otra). Para reducir el riesgo de descargas eléctricas, este enchufe está diseñado para encajar de una sola manera en un tomacorriente polarizado. Invierta el enchufe si éste no encaja completamente en el tomacorriente. Si todavía no encaja, póngase en contacto con un electricista calificado. No trate de modificar el enchufe de manera alguna.
- No use un tomacorriente o cable de extensión en el cual el enchufe calza flojamente, o si el tomacorriente o el cable de extensión se calientan.
- **Sólo para uso doméstico.**

## CONSERVE ESTAS INSTRUCCIONES



### ANTES DE USAR POR PRIMERA VEZ

**Sírvase revisar con cuidado todo el material de empaque antes de desecharlo. El material de empaque puede contener partes accesorias.**

Consulte la sección "Limpieza de la Máquina de Helados Tradicionales™" de este manual.

**NO** sumerja el motor o el cordón eléctrico en agua o cualquier otro líquido.

La varilla de mezclar viene sin armar. Ármela colocando el extremo abierto de la varilla de mezclar en el extremo abierto del mango. Empuje uno dentro del otro lo más que pueda. Sosteniendo el conjunto boca abajo por el extremo de la varilla, encaje bien el extremo de la varilla dentro del mango con un golpe sólido sobre la encimera o la mesa.



El cubo está hecho de madera, un material natural que puede decolorarse o deslavarse. Podría notar una decoloración cristalina o pegajosa sobre los extremos cortados de la madera; esto es normal.

Simplemente pase un paño humedecido con agua tibia jabonosa sobre la zona decolorada para eliminar cualquier depósito.

## CÓMO UTILIZAR LA MÁQUINA DE HELADOS TRADICIONALES™

1. Previo a cada uso, vierta agua en el balde hasta quedar  $\frac{2}{3}$  lleno, y déjelo en el fregadero o en una zona que pueda mojarse durante por lo menos 1½ horas; un tiempo mayor también es aceptable. Esto le dará a la madera la oportunidad de expandirse de tal manera que no puedan haber escapes en el balde durante el proceso de congelación. **Nota:** el dejar en remojo expande la madera para ayudar a prevenir las fugas. Sin embargo, esto no prevendrá todo el goteo, puesto que la madera no se sella por completo. Algunas fugas pueden ocurrir durante el uso.
2. Coloque el recipiente de congelación, la tapa y la paleta de mezclar en el congelador mientras el balde está en remojo. **Nota:** No congele el recipiente de congelación mientras este mojado; siempre séquelo a fondo antes de congelarlo.
3. Prepare los ingredientes según la receta. Para resultados óptimos, prepare la mezcla del helado y póngala a enfriar la noche anterior.
4. Tras por lo menos 1½ horas en remojo, vacíe el agua del balde antes de empezar a preparar el helado.
5. Vierta la mezcla del helado enfriada al recipiente de congelación enfriado. No llene el recipiente de congelación por encima de la línea "MAX," puesto que la mezcla del helado se expandirá durante el proceso de congelación.
6. Inserte el extremo redondeado de la paleta de mezclar dentro de la hendidura en el centro del recipiente de congelación.
7. Póngale la tapa al recipiente de congelación, insertando el poste de la paleta de mezclar a través del centro de la tapa.
8. Coloque el recipiente de congelación en el balde de madera, alineado con el soporte de centrado en el fondo del balde.
9. Deslice el extremo rectangular de la unidad del motor dentro del orificio rectangular en el borde del balde. Alinee el poste de la paleta de mezclar con el agujero en el centro de la unidad del motor. El extremo redondeado de la unidad del motor caerá dentro del extremo abierto, por encima de la traba. Pudiera necesitar rotar el recipiente de congelación de manera que el poste de la paleta de mezclar encaje dentro del motor. Con cuidado levante la traba, y coloque el alambre sobre el extremo redondeado del motor.
10. Distribuya uniformemente unas 6 tazas de hielo alrededor de la base del recipiente de congelación. El hielo deberá estar en pequeños pedazos o picado gruesamente. Rompa cualquier trozo grande. Si se requiriese, el hielo puede machacarse con un mazo o martillo. Para cada tanda de helado, estará utilizando 1-2 bolsas medianas de hielo, que son alrededor de 7-14 libras (3-6 kg).
11. Cubra uniformemente la primera capa de hielo con alrededor de ½ taza de sal de roca.
12. Repita los pasos 10 y 11, colocando hielo en capas y sal hasta llegar a ½ pulgada (1.3 cm) por debajo del agujero en el lado del balde; no llene de más.
13. Agregue agua fría a la mezcla de hielo y sal hasta que el nivel de agua llegue a ½ pulgada (1.3 cm) por debajo de la parte inferior del agujero de drenado.  
**Nota:** Si se agregan demasiada agua o hielo ello causará que la mezcla de

- hielo y sal se salga por el agujero de drenado y prevendrá que se pueda batir el helado.
14. Enchufe el cordón eléctrico **SOLAMENTE** a un tomacorriente de corriente alterna de 120 voltios.
  15. Presione el interruptor "ON/OFF" (encendido/apagado) del motor a la posición "ON" (encendido). Mientras el recipiente de congelación gira, agite y mezcle la sal y hielo entre sí utilizando la varilla de plástico para remover. Haga esto cada 10-15 minutos mientras la máquina de helados esté en uso. No pare prematuramente el proceso de mezclado.
  16. Cuando el hielo se derrita 2 a 3 pulgadas (5 a 7.5 cm) se deberán agregar más hielo y sal de roca.
  17. Tardará aproximadamente de 30 a 40 minutos en preparar el helado. Si el motor se parase antes de haber pasado los 30 minutos, presione el interruptor "ON/OFF" (encendido/apagado) a la posición "OFF" (apagado), y revise para ver si se ha presentado alguno de los siguientes problemas:
    - Si el recipiente o la paleta de mezclar se han parado prematuramente, revise a ver si un trozo de hielo está previniendo que el recipiente gire. Si el hielo ha causado la obstrucción, mantenga el motor apagado y mezcle el hielo con la varilla de plástico para remover.
    - Si se atascase la paleta de mezclar, verifique la consistencia del helado alrededor de los bordes del recipiente. Si está congelado, utilice una espátula para aflojarlo.
      - Los ingredientes duros, como los trozos de chocolate y las nueces, pueden causar que la paleta de mezclar se atasque. Agregué estos cuando ya el helado esté preparado.
      - Si el proceso de mezcla es detenido por el usuario, el helado se endurecerá y restringirá el movimiento de la paleta de mezclar.
  18. Tras unos 30-40 minutos, el motor deberá apagarse automáticamente. El proceso de congelación está ahora listo. Una vez haya parado el motor, presione el interruptor "ON/OFF" (encendido/apagado) a la posición "OFF" (apagado). Desenchufe el artefacto del tomacorriente. **No permita que la máquina de helados funcione por más de 40 minutos.**
  19. Con una mano sobre la tapa del recipiente de congelación, desenganche la unidad del motor y retírela del balde de madera. El recipiente de congelación puede flotar en la mezcla de hielo y agua.
  20. Retire el recipiente de congelación del agua y pásele un trapo para eliminar el agua y la sal.
  21. Qúitele la tapa y luego la paleta de mezclar, quitándole a esta última el exceso de helado con una espátula.
  22. Sirva el helado inmediatamente o traspáselo a un recipiente de cierre hermético y apto para el congelador y congélelo. **Nota:** Debido a que los helados caseros no contienen los conservantes que tienen los helados comprados en las tiendas, el helado casero no durará más de una semana.
    - Una pequeña cantidad de humo/olor puede desprenderse debido a la liberación de aceites de manufactura - esto es normal.
    - Algunos leves ruidos de expansión/contracción pueden ocurrir durante el uso - esto es normal.

## CONSEJOS PRÁCTICOS

- El cubo está hecho de madera, un material natural que puede decolorarse o deslavarse. Podría notar una decoloración cristalina o pegajosa sobre los extremos cortados de la madera; esto es normal. Simplemente pase un paño humedecido con agua tibia jabonosa sobre la zona decolorada para eliminar cualquier depósito.
- Las recetas de los helados caseros solamente utilizan ingredientes frescos; por lo tanto, no tienen la misma consistencia de los helados comprados en tiendas, los cuales utilizan gomas y conservantes para que sean más firmes. Si usted prefiere una consistencia más firme, coloque el helado congelado en un recipiente hermético y almacénelo en el congelador durante una o más horas hasta lograr la consistencia deseada. ***El helado casero por lo general tiene la consistencia de una leche malteada espesa.***
- Para recetas que requieren cocción previa, prepare la mezcla base un día antes y almacénela durante la noche en el refrigerador. Esto permitirá que se enfríe completamente e incremente el volumen de helado producido.
- Las mezclas base para preparar helados pueden almacenarse en el refrigerador hasta 3 días antes de la preparación del helado. Asegúrese de mezclar bien la mezcla antes de agregarla al recipiente de congelación.
- Los ingredientes más comunes en los helados son la crema, el azúcar, los huevos y la leche. Para el sabor más rico y la textura más cremosa, use una crema que contenga el porcentaje más alto de grasa. La crema doble tiene el contenido de grasa más alto (aproximadamente el 36%), la Crema para Batir el 30%, la Crema Ligera y para Café el 18%, y la Mitad Crema y Mitad Leche el 10%. Se pueden sustituir los productos lácteos (tanto la crema como la leche) para reducir el contenido de grasa. Sin embargo, esto puede cambiar el sabor, la consistencia y la textura del helado. Al sustituir ingredientes, asegúrese de que la medida líquida total permanezca igual a la receta original.
- El helado casero tendrá un sabor menos dulce que la mezcla base del helado. Si el helado no es lo suficientemente dulce, puede ajustar la cantidad de azúcar utilizado, teniendo en cuenta que el dulzor disminuirá durante el proceso de congelación.
- Pueden utilizarse edulcorantes artificiales para sustituir al azúcar en una receta. Añádalos sólo a una mezcla base enfriada ya que el calor afecta el dulzor.
- Para las recetas que contienen alcohol, agregue el mismo manualmente tras completar el ciclo de congelación. El alcohol puede afectar negativamente el proceso de congelación si se añade demasiado pronto. No trate de reiniciar el motor para mezclar después de haber agregado el alcohol.
- La mezcla de helado o sorbete deben estar líquida antes de la congelación. No use ingredientes duros o congelados como la crema batida o líquidos o jugos congelados.
- Los helados deberán almacenarse en recipientes herméticos en el congelador. NO los almacene en el recipiente de congelación.
  - Si desea que el helado se endurezca más, al terminar de batir retire la paleta de mezclar y coloque la tapa en el recipiente. Colóquelos en el congelador durante alrededor de media hora para que el helado se endurezca. No los deje en el congelador por más tiempo.
  - O, deje el recipiente en el balde de madera, retire la paleta de mezclar al recipiente. Agregue más hielo a la mezcla de hielo y sal. Cubra todo con una toalla y deje reposar hasta que el helado quede firme.



## Helado de Vainilla

2 tazas Azúcar Granulado  
1½ cda. Almidón de Maíz  
¼ cda. Sal  
7 tazas Leche

5 Huevos, batidos  
1½ cda. Vainilla  
2¾ tazas Crema Doble  
1½ tazas Mitad Crema y Mitad Leche

Mezcle el azúcar, el almidón de maíz y la sal en una cacerola grande. Sobre fuego a calor medio, vierta lentamente la leche, removiendo constantemente. Muy lentamente agregue los huevos batidos y continúe removiendo. Reduzca el fuego a fuego lento y cocine hasta que la mezcla se espese ligeramente. Lentamente agregue la vainilla, la mitad crema y mitad leche y la crema doble. Vierta todo en un tazón grande de vidrio y refrigere la mezcla durante 2-4 horas o hasta que la misma se haya enfriado. Retire la mezcla del refrigerador. Vierta la mezcla en el recipiente de congelación y siga las indicaciones en la sección de "Cómo Utilizar la Máquina de Helados Tradicionales™." No llene el recipiente de congelación por encima de la línea "MAX," puesto que la mezcla se expandirá durante la congelación.

## Helado de Café

4 ½ tazas Mitad Crema y Mitad Leche  
6 tazas Crema

4 ½ cdas. Café Instantáneo en Polvo  
2 ¼ tazas Azúcar

Combine todos los ingredientes en un tazón de mezclar. Remueva bien hasta que todo el azúcar y el café instantáneo en polvo queden disueltos. Vierta la mezcla en el recipiente de congelación y congélela según las indicaciones en la sección de "Cómo Utilizar la Máquina de Helados Tradicionales™." No llene el recipiente de congelación por encima de la línea "MAX," puesto que la mezcla se expandirá durante la congelación.

## Helado con Masa para Galletas

1 taza Masa para Galletas con  
Trozos de Chocolate (desmenuzada  
en pequeños pedazos)  
2 ¼ tazas Azúcar

6 tazas Crema Doble  
1 taza Trozos de Chocolate mini  
6 Huevos grandes  
3 tazas Leche

Coloque la masa para galletas y los trozos de chocolate en un tazón aparte. Tape y colóquelos en el refrigerador hasta quedar fríos. Bata los huevos en un tazón de mezclar durante 1-2 minutos hasta quedar esponjosos. Lentamente vierta el azúcar, batiendo hasta quedar completamente mezclado. Agregue lentamente la crema y la leche y bata hasta quedar mezcladas. Vierta la mezcla en el recipiente de congelación y siga las indicaciones en la sección de "Cómo Utilizar la Máquina de Helados Tradicionales™." No llene el recipiente de congelación por encima de la línea "MAX," puesto que la mezcla se expandirá durante la congelación. Cuando se haya terminado de batir la mezcla, agregue la masa para galletas y los trozos de chocolate y mezcle hasta quedar bien distribuidos.

## Helado "Rocky Road"

1 $\frac{3}{4}$ taza Azúcar Granulado	6 tazas Crema de Batir
$\frac{1}{2}$ cda. Sal	1 cda. Extracto de Vainilla
2 tazas Leche	2 tazas de Mini Malvaviscos
6 cuadrados de Chocolate Semi-Dulce	1 $\frac{1}{2}$ tazas Trozos de Chocolate
2 tazas Mitad Crema y Mitad Leche	1 taza Pacanas Picadas

Mezcle la leche y el chocolate en una cacerola grande. Sobre fuego medio revuélvalos hasta que el chocolate quede completamente derretido. Retire la mezcla del calor y lentamente agregue el azúcar y la sal, mezclando bien hasta quedar disueltos. Añada los demás ingredientes mientras remueve la mezcla, excepto por los malvaviscos, las pacanas y los trozos de chocolate, y luego cúbrala y refrigere durante alrededor de 30 minutos o hasta que la mezcla esté fría. Vierta la mezcla en el recipiente de congelación y siga las indicaciones en la sección de "Cómo Utilizar la Máquina de Helados Tradicionales™." No llene el recipiente de congelación por encima de la línea "MAX," puesto que la mezcla se expandirá durante la congelación. Agregue los malvaviscos, las pacanas y los trozos de chocolate una vez que se haya terminado de batir el helado y revuélvalos hasta quedar bien distribuidos.

## Helado de Mantequilla de Maní con Trozos de Chocolate

2 $\frac{2}{3}$ tazas Azúcar Granulado	2 tazas Crema Doble
2 cdas. Almidón de Maíz	1 $\frac{1}{3}$ tazas Mitad Crema y Mitad Leche
$\frac{1}{2}$ cda. Sal	1 $\frac{1}{2}$ taza Trozos de Chocolate
1 $\frac{1}{2}$ cda. Vainilla	1 taza Mantequilla de Maní o Chips de Mantequilla de Maní
6 tazas Leche	
4 Huevos batidos	

Mezcle el azúcar, el almidón de maíz y la sal en una cacerola grande. Sobre fuego a calor medio, vierta lentamente la leche, removiendo constantemente. Muy lentamente, agregue los huevos batidos y continúe removiendo. Reduzca el fuego a fuego lento y cocine hasta que la mezcla se espese ligeramente. Lentamente agregue y remueva la mantequilla de maní hasta que toda quede combinada y la mezcla sea homogénea. Lentamente agregue la vainilla, la mitad crema y mitad leche y la crema doble. Vierta todo en un tazón grande de vidrio y refrigere y la mezcla durante 2-4 horas o hasta que la misma se haya enfriado. Retire la mezcla del refrigerador. Vierta la mezcla en el recipiente de congelación y siga las indicaciones en la sección de "Cómo Utilizar la Máquina de Helados Tradicionales™." No llene el recipiente de congelación por encima de la línea "MAX," puesto que la mezcla se expandirá durante la congelación. Vierta y remueva los trozos de chocolate una vez se haya terminado de batir el helado y remueva hasta quedar uniformemente distribuidos.

## GARANTÍA DEL PRODUCTO

### Garantía Limitada de 1 Año del Artefacto Electrodoméstico

Focus Electrics, LLC ("Focus Electrics") garantiza que este aparato no presentará fallas de material ni fabricación durante un (1) año a partir de la fecha original de compra con prueba de dicha compra, siempre y cuando el aparato sea operado y mantenido tal como se indica en el manual de instrucciones provisto. Toda pieza del aparato que presente fallas será reparada o reemplazada sin costo alguno a criterio de Focus Electrics. Esta garantía rige solamente para el uso domestico dentro de la casa.

Esta garantía no cubre ningún daño, incluyendo la decoloración, de superficie anti-adherente alguna del aparato electrodoméstico. Esta garantía es nula y sin valor, según lo determine exclusivamente Focus Electrics si el artefacto electrodoméstico es dañado a causa de accidente, mal uso, abuso, negligencia, rayaduras, o si el artefacto electrodoméstico es cambiado de algún modo.

ESTA GARANTÍA REEMPLAZA A TODAS LAS DEMÁS GARANTÍAS IMPLÍCITAS, INCLUYENDO AQUÉLLAS DE COMERCIABILIDAD, IDONEIDAD PARA UN FIN O USO EN PARTICULAR, DESEMPEÑO, U OTROS TIPOS, LAS CUALES QUEDAN EXCLUIDAS MEDIANTE EL PRESENTE DOCUMENTO. FOCUS ELECTRICS, LLC RECHAZA TODA RESPONSABILIDAD POR DAÑOS, YA SEAN DIRECTOS, INDIRECTOS, INCIDENTALES, PREVISIBLES, CONSECUENTES O ESPECIALES QUE SURJAN DE ESTE APARATO ELECTRODOMÉSTICO O GUARDEN RELACIÓN CON EL MISMO.

Si piensa que el artefacto electrodoméstico se ha dañado o requiere de servicio dentro de su período de garantía, por favor póngase en contacto con el Departamento de Atención al Cliente de Focus Electrics por el (866) 290-1851 o contáctenos por correo electrónico a la [service@focuselectrics.com](mailto:service@focuselectrics.com). Los gastos de devolución no son reembolsables. Para todas las reclamaciones de garantía, se requerirá un recibo que demuestre la fecha de compra original, **los recibos escritos a mano no son aceptados**. Focus Electrics, LLC no se hace responsable de las devoluciones perdidas en tránsito.

**Válido sólo en EE.UU. y Canadá**

## REPUESTOS

Las partes de repuestos, si están disponibles, pueden pedirse directamente en línea a Focus Electrics en [www.focuselectrics.com](http://www.focuselectrics.com), o puede llamar o enviar un correo electrónico al departamento de servicio al número telefónico o dirección de correo electrónico arriba indicados, o escribiéndonos a:

Focus Electrics, LLC  
Attn: Customer Service  
P. O. Box 2780  
West Bend, WI 53095

Cerciórese de incluir el número de catálogo/modelo del aparato electrodoméstico (situado en la parte inferior/posterior de la unidad) así como la descripción y la cantidad de repuestos que necesita. Junto con esta información, incluya su nombre, dirección postal, número de tarjeta de crédito Visa o MasterCard, la fecha de vencimiento y el nombre tal como aparece en la tarjeta. Los cheques pueden ser pagaderos a Focus Electrics, LLC. Llame al Departamento de Atención al Cliente para obtener el monto de la compra. Se sumará al total el impuesto de venta estatal que corresponda, más un cargo por despacho y procesamiento. La entrega tarda dos (2) semanas.

Este manual contiene información importante y útil sobre el uso seguro y el cuidado de su nuevo producto Focus Electrics. Para su propia referencia, archive aquí el recibo fechado que sirve de comprobante de compra para la garantía, y anote la siguiente información:

Fecha en que compró o recibió la unidad como regalo: \_\_\_\_\_

Dónde se efectuó la compra y el precio, si lo sabe: \_\_\_\_\_

Número y código de fecha del producto (aparece en la parte inferior/posterior de la unidad): \_\_\_\_\_

## NOTAS



## Free Manuals Download Website

<http://myh66.com>

<http://usermanuals.us>

<http://www.somanuals.com>

<http://www.4manuals.cc>

<http://www.manual-lib.com>

<http://www.404manual.com>

<http://www.luxmanual.com>

<http://aubethermostatmanual.com>

Golf course search by state

<http://golfingnear.com>

Email search by domain

<http://emailbydomain.com>

Auto manuals search

<http://auto.somanuals.com>

TV manuals search

<http://tv.somanuals.com>