

# West Bend®

## HI-RISE™ BREADMAKER

Instruction Manual



Register this and other Focus Electrics products through our website:  
[www.registerfocus.com](http://www.registerfocus.com)

Important Safeguards.....	2
Before Using for the First Time .....	3
Know Your Ingredients.....	6
Basic Steps in Making Bread .....	8
Cleaning Your Hi-Rise™ Breadmaker.....	10
Troubleshooting .....	11
Recipes .....	14
Warranty.....	24

**SAVE THIS INSTRUCTION MANUAL FOR FUTURE REFERENCE**

© 2010 West Bend®, a Brand of Focus Electrics, LLC.  
[www.focuselectrics.com](http://www.focuselectrics.com)

Download from [www.Somanuals.com](http://www.Somanuals.com). All Manuals Search And Download.

# IMPORTANT SAFEGUARDS



## CAUTION

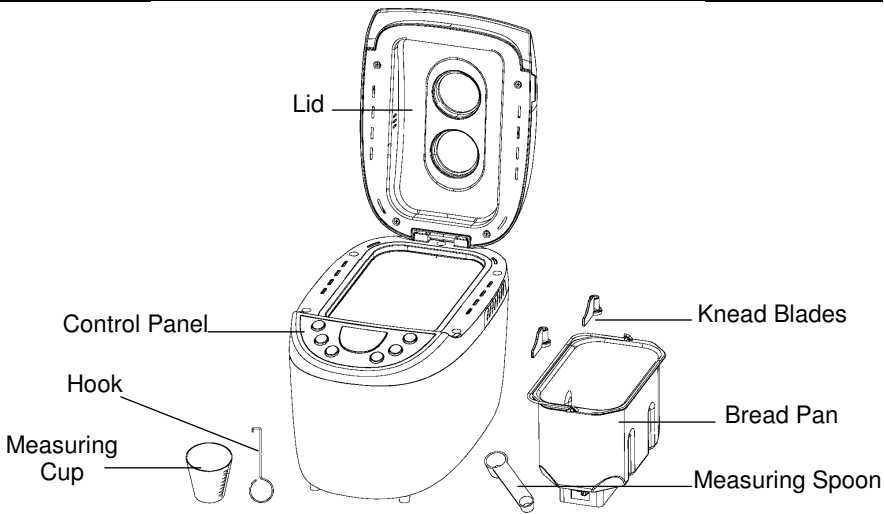
**To prevent personal injury or property damage, read and follow all instructions and warnings.**

When using electrical appliances, basic safety precautions should always be followed including the following:

- Read all instructions, including these important safeguards and the care and use instructions in this manual.
- Do not touch hot surfaces. Use handle or knobs. Always use hot pads or oven mitts when handling hot bread and bread pan.
- To protect against electric shock do not immerse cord, plugs, or other electric parts in water or other liquids.
- Close supervision is necessary when this appliance is used by or near children.
- Unplug the appliance from outlet when not in use and before cleaning. Allow to cool before putting on or taking off parts.
- Do not operate any appliance with a damaged cord or plug or after the appliance malfunctions or if the appliance is dropped or damaged in any manner. If you experience any problems with your appliance, unplug it immediately from the electrical outlet. For service information see warranty page.
- The use of accessory attachments not recommended by Focus Electrics may cause fire, electric shock, or injury to persons.
- Do not use this appliance outdoors.
- Do not let cord hang over the edge of a table or counter, or touch hot surfaces.
- Do not place on or near a hot gas or electric burner, or in a heated oven.
- Extreme caution must be used when moving an appliance during operation.
- To disconnect, turn control to "OFF," then remove plug from wall outlet.
- Do not use appliance for other than intended use.
- Avoid contacting moving parts.
- Do not let cord contact hot surface, including the stove.
- This appliance has a polarized plug (one blade is wider than the other). To reduce the risk of electric shock, this plug is intended to fit into a polarized outlet only one way. If the plug does not fit fully into the outlet, reverse the plug. If it still does not fit, contact a qualified electrician. Do not attempt to modify the plug in any way.
- Set breadpan on hot pad, trivet or other heat protective surface. Do not set hot breadpan directly on the counter, table or other surface.
- Do not put hand inside oven chamber after bread pan is removed. Heating unit will still be hot.
- Do not use your breadmaker with a converter or transformer. This will destroy the electronic controls.
- Do not attempt to repair this appliance yourself.
- A short power-supply cord is provided to reduce risks resulting from becoming entangled in or tripping over a longer cord.

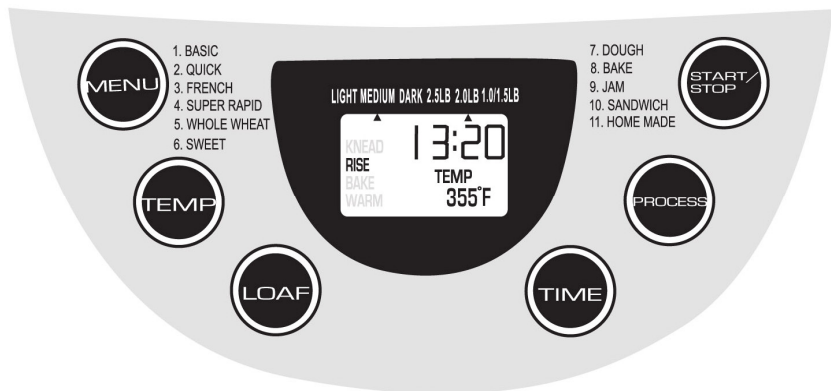
- Longer, detachable power-supply cords or extension cords are available and may be used if care is exercised in their use. While use of an extension cord is not recommended, if you must use one, the marked electrical rating of the detachable power-supply cord or extension cord should be at least as great as the electrical rating of the appliance. If the appliance is of the grounded type, the extension cord should be a grounding-type 3-wire cord. The cord should be arranged so that it will not hang over the counter top or tabletop where it can be pulled by children or tripped over.
- **For household use only.**

# SAVE THESE INSTRUCTIONS



## BEFORE USING FOR THE FIRST TIME

Get to know your new West Bend® Hi-Rise™ Breadmaker. The control panel on your breadmaker was designed to be very easy to use. Please review the following features to better understand the control panel.



## CONTROL PANEL and FUNCTIONS

**LCD DISPLAY:** The display indicates when the appliance is ready for use. When the appliance is first plugged in, there will be an audible beep and the default program is displayed. "1 3:20" appears on the display. The "1" specifies which program is selected (1-11 programs) and the "3:20" is the length of the program in hour: minutes. The position of the marking at the top of the display indicates the weight of the loaf selected (2.5, 2.0 or 1.0/1.5 lb) with 2.5 lb as the default. The position of the marking at the top of the display indicates the degree of browning that is selected (light, medium, or dark) with medium as the default. As the program proceeds the digits of the time displayed will decrease progressively indicating remaining time. During operation the status of the program is indicated in the display with a mark at the active program mode; "Time," "Preheating," "Kneading," "Pause," "Rising," "Baking," "Keep Warm," and program "End."

**"START/STOP" Button:** The "START/STOP" button is used to start or cancel a program. A short alert is heard with each press of the "START/STOP" button. Press this button when the Breadmaker is idle to start the program. When the breadmaker is active, press and hold this button to cancel the program. If you do cancel the program, the breadmaker will return to its default settings for the chosen menu selection. All customized settings will be lost if the program is cancelled. You must set all desired program settings before starting the program. The program cannot be changed after the cycle has begun, unless you cancel the cycle.

**"TIME" Button:** "TIME" is used to set a delayed program end time. Only the following programs can be used with the delay timer: (1) "BASIC," (3) "FRENCH," (5) "WHOLE WHEAT," (6) "SWEET," and (7) "DOUGH." The (4) "SUPER RAPID," (2) "QUICK," (9) "JAM" and (8) "BAKE" programs can not be started with the delay timer. The delay hours and minutes will be added to the preprogrammed times for the specific program. The time indicated in the display is the time until the end of the cycle.

**DELAY START:** The maximum time delay is 12 hours and 58 minutes per program. Example: It is 8:30 p.m. and you would like the bread ready for the next morning at 7:00 a.m. Determine the time difference, 7:00 a.m. is 10 hours and 30 minutes ahead of 8:30 p.m. Press the "TIME" button until 10:30 appears in the display. **NEVER** use the time delay function when using perishable ingredients such as milk, eggs, fruit, yogurt, etc.!

**"TEMP" Button:** "TEMP" cycles to select the crust darkness: **LIGHT (320°F/160°C)**, **MEDIUM (355°F/179°C)**, and **DARK (390°F/199°C)**. The default temperature is **MEDIUM**; the LCD will display the corresponding temperature value and is only applicable for the following programs: "WHOLE WHEAT," "SWEET," "BAKE" and "SANDWICH." The temperatures for "SUPER RAPID" change to **LIGHT (375°F/191°C) MEDIUM (390°F/199°C) DARK (410°F/210°C)** and "QUICK" change to **LIGHT (330°F/166°C) MEDIUM (345°F/174°C) DARK (365°F/185°C)**.

**"LOAF" Button:** The "LOAF" button adjusts the various programs for the selected loaf size; 2.5 lb, 2.0 lb or 1.0/1.5 lb. This button is only applicable for the following programs: "BASIC," "FRENCH," "SUPER RAPID," "WHOLE WHEAT," "SWEET," and "SANDWICH."

**"MENU" Button:** Use the "MENU" button to select the desired program. In general, use the following suggested programs for the following specialties.

## **MENU SELECTIONS**

**Menu 1: "BASIC"** for white, rye, potato, egg, garlic and similar breads. The "BASIC" setting can be used for almost any bread recipe containing mostly bread flour.

**Menu 2: "QUICK"** for quick breads that do not use yeast and require only mixing and baking.

**Menu 3: "FRENCH"** for the preparation of particularly light white and Italian breads.

**Menu 4: "SUPER RAPID"** for preparing 2.0 lb. loaves in under 2 hours.

**Menu 5: "WHOLE WHEAT"** for breads containing 50% or more whole wheat, cracked wheat, buttermilk wheat and like breads.

**Menu 6: "SWEET"** for preparing breads with raisins, cinnamon, apricots and similar ingredients.

**Menu 7: "DOUGH"** for the preparation of dough with no baking.

**Menu 8: "BAKE"** to bake and/or brown bread or cakes.

**Menu 9: "JAM"** to cook marmalades and jams.

**Menu 10: "SANDWICH"** for baking lightly textured bread with a thinner crust, perfect for at-home sandwiches.

**Menu 11: "HOME MADE"** This program is for the baker who is very familiar with baking in a bread machine. This program allows for complete personalization of making bread. The time of each cycle; knead, rise, bake and keep warm, can be customized. The settable time range of each program as following:

KNEAD1	3-14min
RISE1	20-60 min
KNEAD2	8-24 min
RISE2	1-60 min
RISE3	20-120 min
BAKE	0-80 min
WARM	0-120 min

Please see "**Special Instructions for "Home Made"**" section for detailed instructions for using the "Home Made" function.

## **ALERTS, SOUNDS and OTHER GENERAL FUNCTIONS**

**Alert:** The alert sounds:

- At the pressing of any button that allows function selection. If the button doesn't beep, that function choice is not available.
- During the second kneading cycle of the "BASIC," "WHOLEWHEAT," and "SWEET" programs to signal that the cereals, fruit, nuts or other ingredients can be added.
- When the end of the program is reached.
- During the warming phase at the end of the baking procedure the alert sounds several times.

**Power Interruption:** If there is a brief power interruption of less than five minutes, the program position is stored in memory and the machine will resume when the power is restored.

**Over-temp Error:** If the display shows “H H H” after the program has been started, it means that the temperature inside of bread pan is too high. You should stop the program and unplug the power cord immediately. Open the lid and let the machine cool down completely before using again.

- A small amount of smoke and/or odor may occur upon heating due to the release of manufacturing oils – this is normal.
- Some minor expansion/contraction sounds may occur during heating and cooling – this is normal.

## KNOW YOUR INGREDIENTS AND MEASURE ACCURATELY

Although bread making seems very basic, it is a science and the proportions of ingredients are critical. The most important step in using your bread maker is to measure the ingredients precisely and accurately. Read the following information to better understand the importance each ingredient plays in the bread making process. Always make sure the ingredients are fresh.



- Measure the liquid ingredients in see-through measuring cups with accurate markings. Place the cup on a flat surface and measure at “Eye Level,” not at an angle. All measurements must be accurate. Always use liquids between 80-90°F (27-32°C) to assure optimal yeast activity.



- Spoon the dry ingredients into the appropriate measuring cups or spoons, and then level off with table knife. All ingredients measured in measuring spoons and cups must be level, not rounded or heaping.



- Never scoop measuring cups into dry ingredients. This will compress the ingredients into the cup and cause the dough to be dry which will result in a short loaf of bread.

**BREAD FLOUR** should be used in your bread maker. It contains more gluten-forming proteins than all-purpose flour and will provide well-formed loaves with good structure. Several different brands of bread flour are available. **Do not use self-rising or cake flour in your bread maker.**

**WHOLE WHEAT FLOUR** can be used in your bread maker using the “WHOLEWHEAT” bread setting. Whole wheat flour contains the entire wheat kernel, including the bran and germ. Therefore, breads made with 100 percent or a high percentage of whole wheat flour will be lower in height and heavier in texture than bread made with bread flour. The “WHOLEWHEAT” setting on your bread maker is programmed to better develop the structure of wheat breads for optimum results.

**RYE FLOUR** can be used in combination with bread flour in the preparation of rye or pumpernickel bread. However, it cannot be used alone as it does not contain enough protein to develop adequate gluten for structure.

**SUGAR and OTHER SWEETENERS** provide food for the yeast, add height and flavor to the bread and give the crust a golden color. Types of sweeteners that can be used include sugar, brown sugar, honey, molasses, maple syrup, corn syrup and fruits, dried or fresh. Do not use artificial sweeteners as a substitute for sugars and other natural sweeteners; the yeast will not react properly and poor results will be attained. When measuring sticky sweeteners, such as honey, coat the measuring spoon with vegetable oil before measuring the sweetener. This will allow the sweetener to slide off the spoon without sticking.

**MILK** enhances flavor and increases the nutritional value of bread. Any type of milk; dry, whole, 2%, 1%, skim, buttermilk or canned evaporated milk can be used in

making bread. Refrigerated milk may be warmed to 80-90°F (27-32°C) however do not overheat (above 100°F, 38°C) as this could affect the yeast activity. Do not use regular milk when using the “Time Delay” function. Use dry milk and water as a substitute.

**WATER** used in combination with dry milk can be substituted for regular milk and must be used when using the “Time Delay” function as regular milk can spoil when left at room temperature for several hours. Use lukewarm water, about 80-90°F (27-32°C). Do not use water above 100°F (38°C) as this could affect the yeast.

**BUTTER, MARGARINE, SHORTENING and OILS** serve several purposes in bread making as they tenderize the bread, add flavor and richness. Butter and margarine are interchangeable in recipes. Butter and margarine can be used right from the refrigerator. Cut cold butter or margarine into smaller pieces for faster blending during the knead cycle. Low-fat or fat-free bread can be made by substituting equal amounts of unsweetened applesauce or plain yogurt for the amount of fat recommended in the recipe. Using less fat will affect the height, tenderness and texture of the bread, which is normal.

**EGGS** add color, richness and leavening to bread. Use only large eggs. No premixing is needed. Egg substitutes can be used in place of fresh eggs. One egg equals ¼ cup of egg substitute. To reduce cholesterol, you can substitute two (2) egg whites for a large egg in the recipes without affecting the end result. Watch the dough during the knead cycle as some minor adjustment may be needed to get the dough to the right consistency.

**SALT** has several functions in making bread. It controls yeast growth while strengthening the gluten structure to make the dough more elastic and also adds flavor. Use ordinary table salt in your bread maker. Using too little or eliminating the salt will cause the dough to over rise. Using too much can prevent the dough from rising as high as it should. “Light” salt can be used as a substitute for ordinary table salt, providing it contains both potassium chloride and sodium. Use the same amount as recommended for table salt. When adding salt to the bread pan, add to one corner to keep it away from the yeast, especially when using time delay as the salt can affect the yeast activity.

**YEAST** is a living organism, which through fermentation, feeds on carbohydrates in flour and sugar to produce carbon dioxide gas that makes the bread rise. Active dry, fast rising or bread machine yeast can be used in your bread maker. Use only the amount stated in the recipes. Using a little more can cause the dough to over rise and bake into the top of the bread maker. Fast rising yeast and bread machine yeast are virtually the same and interchangeable with one another. Do not use compressed yeast as poor results may be obtained. A ¼-ounce envelope of yeast contains 2¼ teaspoons. Yeast can also be purchased in bulk so you can measure the exact amount needed. Once opened, keep refrigerated. Always make sure yeast is fresh and has not passed the “Use By” date.

**SPECIAL NOTE ON FLOUR:** How to make minor adjustments for dough: All flours are affected by growing conditions, milling, storage, humidity, etc. While not visibly different, you may need to make some minor adjustments when using different brands of flour as well as compensating for the humidity in your area. Always store bread flour in an airtight container. Store whole grain flours, whole wheat and rye, in a refrigerator to prevent them from becoming rancid. Measure the amount of flour as directed in each recipe, but make any adjustments after the first 3 - 4 minutes of continuous kneading.

**SPECIAL NOTE ON CINNAMON AND GARLIC:** Adding too much cinnamon or garlic can affect the texture and size of the loaf obtained. Cinnamon can break down the structure of the dough, affecting height and texture. Too much garlic can inhibit the yeast activity. Use only the amount of cinnamon and garlic recommended in the recipe.

**CHECKING THE DOUGH:** Making changes to the dough is easy. This can be done during the knead cycle only. Do not turn off the breadmaker to adjust dough.

- Touch the dough. If it feels a little sticky and there is a slight smear of dough under the knead blade, no adjustment is necessary.
- If the dough is very sticky, clinging to the sides of the pan, and is more like a batter than a dough, add one tablespoon of flour. Allow the flour to be mixed completely into the dough before making any more adjustments. To prevent heat from escaping, open the cover of the bread maker only to add flour.
- If the dough is dry and the bread maker appears to be laboring, add one teaspoon of lukewarm water. Allow water to be completely mixed into the dough before making any additional adjustments and keep lid closed to keep heat in the appliance.

Dough is “just right” when it is smooth in appearance, soft to the touch, leaves a slight residue on your finger, and the bottom of the bread pan is clean of dough residue.

**CREATING ARTISAN BREAD CRUSTS:** Just before the bread baking cycle begins, open the cover of the bread maker and carefully brush the top surface of the dough with a lightly beaten egg white that has been mixed with 1 teaspoon of water. If desired, slash the top of the dough  $\frac{1}{4}$  to  $\frac{1}{2}$  inch deep with a sharp knife into desired design. Leave plain or sprinkle with seeds, herbs, grated parmesan or romano cheeses, or other desired toppings. Press toppings gently into the dough to ensure it adheres and will not fall off. Close the cover and allow bread to bake.

For best results, use only the beaten egg white with water to treat the crust before the bake cycle begins. This mixture will ensure that toppings will stick and not fall off when bread is removed from the pan.

Do not use vegetable oil cooking sprays to treat crusts, as the cooking sprays can be flammable when exposed to the bread maker’s heating unit.

Crust can also be treated after bread is done baking. Remove bread from the bread pan and place on a rack. Lightly brush the top of the loaf with melted butter, margarine, olive oil, or vegetable oil and sprinkle desired topping on to the bread’s top.

## BASIC STEPS IN MAKING BREAD

**Always clean your new appliance thoroughly before using. Refer to “Cleaning Your Hi-Rise™ Breadmaker” section.**

1. Insert the bread pan; place the non-stick coated bread pan exactly in the middle of the base inside the baking space. When the bread pan is pressed lightly in the center the fixing device locks into place. To remove the bread pan, pull with medium force on the bread pan carrying handle. **CAUTION:** The handle is hot after baking. Use oven mitts or hot pads when removing a hot bread pan.
2. Position the knead blades on to the shafts in the bottom of the bread pan, matching the hub shape with the shaft shape. You may need to twist the bar slightly for the knead blade to drop in place. Make sure the knead blades are pushed down on the shafts all the way.
3. Add ingredients to the bread pan in the order listed in the recipe; liquids first, then the butter or margarine, next the dry ingredients and finally the yeast. For best results level the dry ingredients before adding the yeast.



4. Plug the breadmaker cord into a 120 volt, AC electrical outlet **ONLY**.
5. Use the "MENU" button to select the desired program menu.
6. Use the "LOAF" button to select the desired loaf size.
7. Use the "TEMP" button to select the desired crust darkness.
8. If desired, use the "TIME" button to set the elapsed time for when the program is to be completed.
9. Press the "START/STOP" button to begin the program. After the breadmaker has been turned on, the programmed setting cannot be changed without canceling the program. To change the setting, hold the "START/STOP" button down until the alert sounds. Then program the control as desired and turn back on.
10. When the bread is done, an alert will sound. Turn the breadmaker off by holding the "START/STOP" button down until the alert sounds. Unplug the cord from the electrical outlet. If the breadmaker is not turned off after the cycle is complete, the breadmaker will automatically go into a one hour "Keep Warm" mode. If the machine is not turned off after the end of the "Keep Warm" period, the machine will turn itself off.
11. Remove the bread pan. **CAUTION:** The handle is hot after baking. Use oven mitts or hot pads when removing a hot bread pan.
12. Invert the bread pan and shake gently until the loaf falls out. Place the bread on a rack to cool 15 to 20 minutes. The knead blades will normally stay in the bread pan when the bread is removed, but may on occasion slide out in the bread. If the knead blades are inside the loaf, remove with the included hook before slicing. **CAUTION:** The knead blades are very hot, remove with care. If making another loaf of bread right away, be sure the machine is turned off and allowed to cool 15 to 20 minutes with the cover open.

**Special Instructions for "Home Made":** The "HOME MADE" setting is perfect for the user who is familiar with the intricacies of making bread at home and wants to customize their own settings.

- 1) Press the "PROCESS" button once and "KNEAD1" will appear on the display; then press the "TIME" button to adjust the minutes. Press "PROCESS" again to confirm the time for the first kneading cycle. Press "PROCESS" again to advance to the next step. **Note:** To advance the time more rapidly, press and hold "TIME."
- 2) "RISE1" will now show on the display. Press the "TIME" button to adjust the minutes. Once the desired time has been set, press "PROCESS" again to advance.
- 3) Continue until you have customized all settings. Press "START/STOP" to exit programming, then press again to begin the cycle.

**Note:** Your breadmaker's memory can remember your customized homemade settings unless power is lost for more than 5 minutes. When "HOME MADE" is first selected, the default setting is the same as BASIC.

**High Altitude Adjustment:** Reduced air pressure at high altitudes causes yeast gases to expand more rapidly and the dough to rise more quickly. The dough can rise so much that when it begins to bake, it will collapse due to overstretching of the gluten structure. To slow the rising of the dough, reduce the amount of yeast by ¼ teaspoon at a time until you find the right amount. You can also reduce the amount of liquid by a teaspoon or two. Some experimentation will be needed when using your breadmaker at high altitudes.

## CLEANING YOUR HI-RISE™ BREADMAKER

1. Unplug the cord from the electrical outlet and allow the appliance to cool completely before cleaning.
2. Immediately after the bread is removed from the bread pan, fill the bread pan half full with warm water and a small amount of dish soap. Allow the bread pan to soak for 5 to 20 minutes or until the knead blade can be lifted off of the shaft. You may need to twist the knead blade slightly to loosen. If the knead blade is difficult to remove after soaking, secure the cross bar on the underside of the bread pan while twisting the knead blade to loosen. Wash the inside of the bread pan and knead blade with a soft cloth, rinse and dry. Use a mild detergent. Never use chemical cleaning agents, oven cleaners, abrasive scouring pads, or cleansers on the bread pan or knead blade as damage to the coating or finish can occur. Replace the knead blade on the shaft.
3. Never immerse the bread pan in water or wash in an automatic dishwasher as damage to the bearing that turns the knead blade can occur. Wipe the inside of the oven chamber and the outside surfaces of the breadmaker with a damp cloth if necessary. Never dip the appliance in water or fill the baking compartment with water! The lid **cannot** be removed for cleaning.



**NOTE:** The coating on the inside of bread pan may change color over time; this is normal and does not affect the bread.

## TROUBLESHOOTING GUIDE

Review the following Problems, Possible Causes and Solutions below.

### LOAF SIZE & SHAPE

#### Short loaves

- Wheat breads will be shorter than white breads due to less gluten forming protein in whole-wheat flour.
- Not enough liquid - Increase liquid by 1-2 teaspoons.
- Sugar omitted or not enough added - Assemble ingredients as listed in recipe.
- Wrong type of flour used - Do not use all-purpose flour.
- Not enough yeast used or too old - Measure amount recommended and check freshness date on package.
- Wrong type of yeast used - Use fast rising or bread machine yeast. Do not use compressed yeast.

#### Flat loaves, no rising

- Yeast omitted - Assemble ingredients as listed in recipe.
- Yeast too old - Check expiration date.
- Liquid too hot - Use lukewarm liquids 80-90°F (27-32°C).
- Too much salt added - Use amount recommended in recipe.
- Sugar or other sweetener omitted - Assemble ingredients as listed in recipe.

#### Top and sides cave in

- Too much liquid – Reduce liquid by 1-2 teaspoons.
- Too much yeast – Use recommended amount.

#### Gnarly or knotted top, not smooth

- Not enough liquid – Increase liquid by 1-2 teaspoons.
- Too much flour – Measure flour accurately, leveling off measuring cup.

#### Loaves uneven, shorter on one end

- Dough too dry preventing even rise in bread pan – Increase liquid by 1-2 teaspoons.

#### Collapsed while baking

- May be caused from baking in high altitude – Make adjustment for high altitude baking by reducing yeast by  $\frac{1}{4}$  teaspoon and reducing liquid by 1-2 teaspoons.

## **BREAD TEXTURE**

### **Heavy, dense texture**

- Too much flour – Measure accurately, leveling off measuring cup.
- Not enough yeast – Add recommended amount of yeast.
- Not enough sugar – Add recommended amount of sugar.

### **Open, coarse, or holey texture**

- Salt omitted – Assemble ingredients as listed in recipe.
- Too much yeast – Add recommended amount of yeast.
- Too much liquid – Reduce liquid by 1-2 teaspoons.

### **Bread doesn't slice well, very sticky**

- Sliced while too hot – Allow bread to cool on rack at least 15-20 minutes before slicing to release steam.
- Not using proper knife – Use a good bread knife or electric knife.

### **Center of loaf raw, not baked through**

- Too much liquid – Reduce liquid by 1-2 teaspoons.
- Power outage during operation – If the power goes out during operation for longer than 5 minutes, the breadmaker will remain off when the power is restored. Remove the unbaked loaf from the bread pan and start over with fresh ingredients.
- Forgot to put knead blade in bread pan – Always make sure the knead blade is on the shaft in bottom of the bread pan before adding ingredients.

## **CRUST and COLOR THICKNESS**

### **Dark crust color/too thick**

- Too much sugar – Reduce sugar by half.

### **Loaf of bread is burned**

- Breadmaker is malfunctioning – See Warranty page for service information.

### **Crust too light**

- Not enough sugar or fat – Increase sugar or fat by half the amount recommended.

## **BREAD PAN PROBLEMS**

### **Knead blade cannot be removed**

- Add warm water to the bread pan and allow the knead blade to soak before trying to remove. Follow the cleaning instructions. You may need to twist the knead blade slightly after soaking to loosen. Do not immerse the bread pan in water.

### **Bread sticks to bread pan/difficult to shake out**

- Can happen over prolonged use – Wipe the inside of the bread pan, from the ribs down with vegetable oil or solid shortening. Or add 1 tsp. vegetable oil to the liquid in the bread pan before adding dry ingredients. Do not use vegetable spray as sticking can worsen. Or, let bread sit in bread pan for 10 minutes before shaking out. Replacement bread pan may be ordered. See Warranty section.

## **MACHINE MECHANICS**

### **Ingredients not mixed**

- Did not start machine – After programming the control panel, press the “START/STOP” button to turn on.
- Forgot to put knead blade in bread pan – Always make sure the knead blade is on the shaft in the bottom of the bread pan before adding ingredients.

### **Burning odor noted during operation**

- Ingredients spilled inside oven – Be careful not to spill ingredients when adding to the bread pan as they will burn on the heating unit and cause smoke.
- Bread pan leaks – Replacement bread pan may be ordered. See Warranty section.
- Exceeding capacity of bread pan – Do not use more ingredients than recommended in recipe and always measure accurately.

### **Machine unplugged by mistake or power lost during use for longer than 5 minutes. How can I save the bread?**

- If machine is in knead cycle, reprogram to the same bread setting and turn the machine back on.
- If machine is in rise or bake cycle, preheat conventional oven to 350°F (177°C). Carefully remove the bread pan from the machine and bake on rack in center of oven for 20-25 minutes or until golden brown.

### **Alert sounds, display shows “H H H” and machine cannot be turned on.**

- Breadmaker too hot to make consecutive loaves – Unplug the cord from the outlet and allow to cool with the bread pan removed and cover open for 15-20 minutes. Plug the cord back in the outlet, add bread pan and start machine.

### **Alert sounds, display shows “E E E” and machine cannot be turned on.**

- Breadmaker is malfunctioning – See Warranty section for service information.

## RECIPES

Pre-packaged bread mixes can be used in your breadmaker. Simply follow the instructions given for the specific bread mix. Unless otherwise stated for the bread mix, use the 1.5 lb. setting for loaf size. Follow standard practices; liquid ingredients into the bread pan first, then dry ingredients with the yeast, if required, going in last. Following are some scratch bread recipes to get you started. There are many recipe books containing bread recipes and a supplemental recipe book is available at [www.focuselectrics.com](http://www.focuselectrics.com).

### BASIC

For all of the following recipes, follow these general guidelines. **The following breads should be baked on setting 1, "Basic."**

Add liquids to the bread pan first, then dry ingredients. Level the dry ingredients; quarter the butter or margarine and add to the corners. Make an impression in the center of the dry ingredients and add the yeast. Close the lid, select "Menu," choose setting desired, select "TEMP," then select "Loaf" to size indicated in recipe.

#### Old Fashioned White Bread

1.5 Pound Loaf	INGREDIENTS	2.0 Pound Loaf
1 ¼ cups + 2 tbsp.	Milk, 80° F	1 ½ cups + 2 tbsp.
2 tbsp.	Butter or Margarine	2 tbsp.
3 ⅓ cups	Bread Flour	4 cups
1 ½ tbsp.	Sugar	2 tbsp.
1 ¼ tsp.	Salt	1 ½ tsp.
2 tsp.	Active Dry Yeast	2 ¼ tsp.
-or-	-or-	-or-
1 ½ tsp.	Bread Machine/Fast Rise Yeast	2 tsp.

#### Garlic Bread

1.5 Pound Loaf	INGREDIENTS	2.0 Pound Loaf
1 ¼ cup	Water, 80° F	1 ½ cups
2 tbsp.	Butter or Margarine	2 tbsp.
3 ⅓ cups	Bread Flour	4 cups
2 tbsp.	Dry Milk	2 tbsp.
1 tbsp.	Dried Parsley Flakes	1 ½ tbsp.
1 tbsp.	Sugar	1 ½ tbsp.
1 ¼ tsp.	Salt	1 ½ tsp.
½ - 1 tsp.	Garlic Powder	1 - 1 ½ tsp.
2 tsp.	Active Dry Yeast	2 ¼ tsp.
-or-	-or-	-or-
1 ½ tsp.	Bread Machine/Fast Rise Yeast	2 tsp.

## Walnut Bread

1.0 Pound Loaf	INGREDIENTS	2.5 Pound Loaf
½ cup + 1 tbsp.	Water, 80° F	1½ cups + 1 tbsp.
1	Egg	1
2 tbsp.	Butter or Margarine	5 tbsp.
2 tbsp.	Dry Milk	5 tbsp.
1 tbsp.	Honey	2 tbsp.
1/5 cup	Walnut	¾ cup
2 cups	Bread Flour	4 ½ cups
2 tbsp.	Sugar	4 tbsp.
¾ tsp.	Salt	1 ½ tsp.
1 tsp.	Active Dry Yeast	1 ½ tsp.

## Classic Rye Bread

1.5 Pound Loaf	INGREDIENTS	2.0 Pound Loaf
1¼ cups + 1 tbsp.	Water, 80° F	1½ cups
1 tbsp.	Butter or Margarine	1 tbsp.
2⅔ cups	Bread Flour	3 cups
1 cup	Medium Rye Flour	1¼ cups
2 tbsp.	Dry Milk	2 tbsp.
1½ tbsp.	Sugar	1½ tbsp.
1¼ tsp.	Salt	1½ Tsp
2 tsp.	Caraway Seed, optional	2 tsp.
2 tsp.	Active Dry Yeast	2¼ tsp.
-or-	-or-	-or-
1½ tsp.	Bread Machine/Fast Rise Yeast	2 tsp.

## Sesame Bread

1.0 Pound Loaf	Ingredients	2.5 Pound Loaf
½ cup + 3 tbsp.	Water, 80° F	1½ cups + 3 tbsp.
2 tbsp.	Butter or Margarine	5 tbsp.
2 tbsp.	Dry Milk	5 tbsp.
2 tbsp.	Sesame Seeds	4 tbsp.
2 cups	Bread Flour	4 ⅔ cups
2 tbsp.	Sugar	4 tbsp.
¾ tsp.	Salt	1 ½ tsp.
1 tsp.	Active Dry Yeast	1 ½ tsp.

## LOW CARB & GLUTEN-FREE

For all of the following recipes, follow these general guidelines. **All Gluten-Free and Low Carb breads should be baked on setting 1, "Basic."** Gluten free breads must first have liquid ingredients whisked together in a separate bowl to ensure proper blending. Break eggs into a 2 cup measuring cup and add recommended amount of water before mixing in the liquid ingredients.

### Gluten-Free Bread

2.0 Pound Loaf	INGREDIENTS
1 cup + 2 tbsp.	Water, 80° F
3	Eggs*
4 tbsp.	Melted Butter or Canola Oil
1 tsp.	Cider Vinegar
2 cups	White Rice Flour
¾ cups	Potato Starch Flour
¼ cup	Tapioca Flour
⅔ cup	Non-fat Dry Milk
3 tbsp.	Sugar
1 tbsp.	Xanthan Gum
1 ½ tsp.	Salt
1 tbsp.	Active Dry Yeast

\* Place eggs in measuring cup, then add water to measuring cup, fill to 1 ¾ cup.

### Brown & White Rice Flour Gluten-Free Bread

2.0 Pound Loaf	INGREDIENTS
1 cup	Water, 80° F
3	Eggs*
4 tbsp.	Melted Butter or Canola Oil
1 tsp.	Cider Vinegar
1 cup	White Rice Flour
1 cup	Brown Rice Flour
¾ cups	Potato Starch Flour
¼ cup	Tapioca Flour
⅔ cup	Non-fat Dry Milk
3 tbsp.	Brown Sugar
1 tbsp.	Xanthan Gum
1 ½ tsp.	Salt
1 tbsp.	Active Dry Yeast

\* Place eggs in measuring cup, then add water to measuring cup, fill to 1 ⅔ cup.



## Lemon Poppyseed Gluten-Free Bread

2.0 Pound Loaf	INGREDIENTS
1 cup + 2 tbsp.	Water, 80° F
3	Eggs*
4 tbsp.	Melted Butter or Canola Oil
2 tsp.	Lemon Extract (gluten-free)
2 cups	White Rice Flour
¾ cups	Potato Starch Flour
¼ cup	Tapioca Flour
⅔ cup	Non-fat Dry Milk
3 tbsp.	Sugar
1 tbsp.	Xanthan Gum
1 ½ tsp.	Salt
1 tbsp.	Poppy Seeds
1 tbsp.	Active Dry Yeast

\*Place eggs in measuring cup, then add water to measuring cup, fill to 1 ¾ cup.

## Whole Wheat & Seed Low Carb Bread

2.0 Pound Loaf	INGREDIENTS
2 ½ cups	Water, 80° F
¼ cup	Olive Oil
1 tsp.	Artificial Sweetener
1 tsp.	Salt
1 cup	Unprocessed Wheat Bran
4 cups	Whole Wheat Flour
2 pkg.	Bread Machine/Fast Rise Yeast
½ cup	Flax Seeds, roughly ground
¼ cup	Sunflower Seeds, Hulled
2 tbsp.	Pumpkin Seeds, Roasted

## Favorite Low Carb Bread

2.0 Pound Loaf	INGREDIENTS
1 cup	Water, 80° F
2	Eggs
2 tbsp.	Butter or Margarine
¼ cup	Splenda Sugar substitute
⅔ cup	Ground Flax Seeds
½ cup	Soy Flour
1 ½ cups	Vital Wheat Gluten Flour
2 tsp.	Active Dry Yeast

## Low Carb Bread

1.5 Pound Loaf	INGREDIENTS
¾ cup	Water, 80° F
1	Egg
1 tbsp.	Butter or Margarine
1 tsp.	Sugar
½ cup	Oat Flour
½ cup	Soy Flour
1 cup	Vital Wheat Gluten
2 tsp.	Bread Machine/Fast Rise Yeast

## QUICK

For all of the following recipes, follow these general guidelines. **The following breads should be baked on setting 2, "Quick."**

Add liquids to the bread pan first, then dry ingredients. Level the dry ingredients; quarter the butter or margarine and add to the corners. Make an impression in the center of the dry ingredients and add the yeast. Close the lid, select "Menu," choose setting desired, select "TEMP," then select "Loaf" to size indicated in recipe.

## Nut Bread

1.5 Pound Loaf	INGREDIENTS
4 tbsp.	Vegetable Oil
¾ cup	Milk, 80° F
2	Eggs, Large
2½ cups	All Purpose Flour
1 cup	Sugar
2½ tsp.	Baking Powder
½ tsp.	Baking Soda
1 tsp.	Salt
½ cup	Chopped Nuts

## NUT BREAD FLAVOR VARIATIONS

**Banana Nut:** Replace vegetable oil with ½ cup softened butter or margarine, cut into small pieces for thorough blending; reduce milk to 2 tablespoons; add 1½ cups mashed ripe banana (about 2 medium).

**Cherry Pecan:** Reduce milk to ½ cup; use chopped pecans for chopped nuts; add ½ cup chopped maraschino cherries, well drained.

**Cranberry Nut:** Reduce milk to ½ cup and add 1 cup coarsely chopped cranberries.

**Date:** Omit chopped nuts and add ¾ cup chopped dates and ½ teaspoon ground nutmeg.

## Corn Bread

1.0 Pound Loaf	INGREDIENTS	2.5 Pound Loaf
½ cup + 1 tbsp.	Milk, 80° F	1 cup + 7 tsp.
1	Egg	1
2 tbsp.	Butter or Margarine	3 tbsp.
1 tsp.	Salt	1 tsp.
1 tbsp.	Sugar	2 tbsp.
1 cup	Bread Flour	2 cups
1 cup	Cornmeal	2 cups
3 tsp.	Baking Powder	4 tsp.

## FRENCH

For all of the following recipes, follow these general guidelines. **The following should be baked on setting 3, "French."**

Add liquids to the bread pan first, then dry ingredients. Level the dry ingredients; quarter the butter or margarine and add to the corners. Make an impression in the center of the dry ingredients and add the yeast. Close the lid, select "Menu," choose setting desired, select "TEMP," then select "Loaf" to size indicated in recipe.

1.0 Pound Loaf	INGREDIENTS	2.5 Pound Loaf
½ cup + 3 tbsp.	Water, 80° F	1 ½ cups + 3 tbsp.
1 tbsp.	Butter or Margarine	3 tsp.
2 cups	Bread Flour	4 ⅔ cups
1 tbsp.	Sugar	2 tbsp.
1 tsp.	Salt	1 ½ tsp.
1 tsp.	Active Dry Yeast	1¾ tsp.

## SUPER RAPID

For all of the following recipes, follow these general guidelines. **The following should be baked on setting 4, "Super Rapid."** Many recipes can be converted to the Super Rapid cycle. Use your recipe of choice and add an additional teaspoon of yeast for those recipes using yeast. **DO NOT use any quick bread recipes on this setting.**

### Basic Super Rapid Bread

1.0 Pound Loaf	INGREDIENTS	2.5 Pound Loaf
½ cup + 1 tbsp.	Water, 80° F	1 cup + 4 tbsp.
1	Egg	1
1 tbsp.	Butter or Margarine	3 tbsp.
1 tbsp.	Dry Milk	3 tbsp.
2 cups	Bread Flour	4 ⅔ cups
2 tbsp.	Sugar	4 tbsp.
1 tsp.	Salt	1 ½ tsp.
2 tsp.	Active Dry Yeast	3 ½ tsp.

## WHOLE WHEAT

For all of the following recipes, follow these general guidelines. **The following recipes should be baked on setting 5, "Whole Wheat."**

Add liquids to the bread pan first, then dry ingredients. Level the dry ingredients; quarter the butter or margarine and add to the corners. Make an impression in the center of the dry ingredients and add the yeast. Close the lid, select "Menu," choose setting desired, select "TEMP," then select "Loaf" to size indicated in recipe.

If the bread collapses during the baking period, add 1 or 1½ tablespoons vital wheat gluten to the recipe for respective loaf size to prevent this from happening. Vital wheat gluten can be found at most health food stores.

### 100% Whole Wheat Bread

1.5 Pound Loaf	INGREDIENTS	2.0 Pound Loaf
1 cup + 2 tbsp.	Water, 80° F	1¼ cups + 3 tbsp.
1	Egg, Large	1
1 tbsp.	Molasses	1½ tbsp.
1 tbsp.	Honey	1½ tbsp.
2 tbsp.	Butter or Margarine	2 tbsp.
3 ⅓ cups	Whole Wheat Flour	4¼ cups
2 tbsp.	Dry Milk	2 tbsp.
1¼ tsp.	Salt	1½ tsp.
2 tsp.	Active Dry Yeast	2¼ tsp.
-or-	-or-	-or-
	Bread Machine/Fast	
1½ tsp.	Rise Yeast	2 tsp.

### Wheat 'N Yogurt Bread

1.5 Pound Loaf	INGREDIENTS	2.0 Pound Loaf
1 cup	Water, 80° F	1 cup + 2 tbsp.
½ cup	Plain Nonfat Yogurt	¾ cup
2 tbsp.	Butter or Margarine	2 tbsp.
1 1/3 cups	Bread Flour	1 ½ cups
2 cups	Whole Wheat Flour	2 ¾ cups
2 tbsp.	Dry Milk	2 tbsp.
2 tbsp.	Brown Sugar, Packed	2 tbsp.
1 ¼ tsp.	Salt	1 ½ tsp.
2 tsp.	Active Dry Yeast	2 ¼ tsp.
-or-	-or-	-or-
	Bread Machine/Fast	
1 ½ tsp.	Rise Yeast	2 tsp.

## SWEET

For all of the following recipes, follow these general guidelines. **The following recipes should be baked on setting 6, "Sweet."**

Add liquids to the bread pan first, then dry ingredients. Level the dry ingredients; quarter the butter or margarine and add to the corners. Make an impression in the center of the dry ingredients and add the yeast. Close the lid, select "Menu," choose setting desired, select "TEMP," then select "Loaf" to size indicated in recipe.

### Coconut Bread

1.0 Pound Loaf	INGREDIENTS	2.5 Pound Loaf
½ cup + 2 tbsp.	Water, 80° F	1½ cups + 2 tbsp.
1	Egg	1
2 tbsp.	Butter or Margarine	4 tbsp.
¼ cup	Dry Milk	½ cup
1 tbsp.	Honey	2 tbsp.
¼ cup	Coconut*	½ cup
2 cups	Bread Flour	4 ⅓ cups
¼ cup	Sugar	½ cup
1 tsp.	Salt	1 ½ tsp.
1 ½ tsp.	Active Dry Yeast	1 ½ tsp.

\* Add half of the coconut during the second knead cycle, then add the rest before the bake cycle.

### Raisin Bread

1.0 Pound Loaf	INGREDIENTS	2.5 Pound Loaf
½ cup + 2 tsp.	Water, 80° F	1½ cups + 1 tbsp.
2 tbsp.	Butter or Margarine	4 tbsp.
2 cups	Bread Flour	4 cups
¼ cup	Dry Milk	½ cup
3 tbsp.	Sugar	⅓ cup
¾ tsp.	Salt	1½ tsp.
1	Egg	1
1 tsp.	Active Dry Yeast	1 ½ tsp.
1 tbsp.	Honey	2 tbsp.
¼ cup	Raisins	½ cup
¼ cup	Chopped Nuts (optional)	⅓ cup

## DOUGH

For all of the following recipes, follow these general guidelines. **The following recipes should be baked on setting 7, "Dough."**

Add liquids to the bread pan first, then dry ingredients. Level the dry ingredients; quarter the butter or margarine and add to the corners. Make an impression in the center of the dry ingredients and add the yeast. Close the lid, select "Menu," choose setting desired.

### Basic Bagel

1.5 Pound Loaf	INGREDIENTS
1 cup	Water, 80° F
3 Cups	Bread Flour
2 tbsp.	Sugar
1½ tsp.	Salt
1½ tbsp., cut into 6 pieces	Butter or Margarine
2 tsp.	Active Dry Yeast
-or-	-or-
1½ tsp.	Bread Machine/Fast Rise Yeast
3 Quarts	Water
1 tbsp.	Sugar
	Poppy or Sesame Seeds, for garnish

After dough is formed and breadmaker shuts off, remove the dough from the bread pan and place into a lightly greased bowl. Cover bowl and place in the refrigerator for 20 minutes. After the dough is cooled, remove from the bowl and place on a lightly floured surface. Roll the dough into a ½ inch thick rectangle. Divide the dough into 8 equal sections, roll each piece into a ball and punch a hole through the center with your finger. Stretch the hole until it is about 1-2 inches in diameter. Place formed bagels onto a greased cookie sheet about 2 inches apart. Brush lightly with cold water, cover and set in a warm, draft free room to rise until they have doubled in size.

Bring 3 quarts of water to a boil in a 5 qt dutch oven. Add the sugar and stir to dissolve. Reduce heat to low and carefully add 2-3 bagels to hot water. Let simmer for 3-4 minutes on each side. Remove with a slotted spoon, drain, then place on the greased baking sheet about an inch apart. Sprinkle with garnish, if desired, and bake bagels in a preheated 450°F (232°C) oven for 12-15 minutes or until golden brown. Let cool slightly before serving.

## Basic Dinner Rolls/Bread Sticks

1.5 Pound Loaf	INGREDIENTS
¾ cup + 1 tbsp. 3 tbsp. 3 cups 3½ tbsp. 2 tbsp. 1 tsp. 2 tsp. -or-  1½ tsp.	Water, 80° F Butter or Margarine Bread Flour Sugar Dry Milk Salt Active Dry Yeast -or-  Bread Machine/Fast Rise Yeast  Softened Butter or Slightly Beaten Egg White

After dough cycle has completed, remove bread pan from breadmaker and then remove dough. Place dough onto a slightly floured surface for 15 minutes. Shape dough into desired roll shape, place on greased baking sheet, cover and place in a warm, draft free area for 45 minutes to rise. Once dough has doubled in size, lightly brush the tops with butter or egg white and bake in a 350° F oven for 15-20 minutes, or until golden brown. Serve warm.

## JAM

For the following recipe, follow these general guidelines. **The following recipe should be baked on setting 9, "Jam."**

### Breadmaker Strawberry Jam

	INGREDIENTS
2 cups 2 tbsp. 3 cups	Granulated Sugar Powdered Low Sugar Fruit Pectin Fresh Strawberries, washed, hulled, and sliced

## SANDWICH

For the following recipe, follow these general guidelines. **The following recipe should be baked on setting 10, "Sandwich."**

### Sandwich White Bread

1.0 Pound Loaf	INGREDIENTS	2.5 Pound Loaf
½ cup + 3 tbsp. 1 tbsp. 1 tbsp. 2 cups 1 tbsp. 1 tsp. 1 tsp.	Water, 80° F Butter or Margarine Dry Milk Bread Flour Sugar Salt Active Dry Yeast	1½ cups + 3 tbsp. 3 tbsp. 3 tbsp. 4 ¾ cups 2 ½ tbsp. 2 tsp. 1 tsp.

## PRODUCT WARRANTY

### Appliance 1 Year Limited Warranty

Focus Electrics, LLC ("Focus Electrics") warrants this appliance from failures in the material and workmanship for one (1) year from the date of original purchase with proof of purchase, provided the appliance is operated and maintained in conformity with the provided Instruction Manual. Any failed part of the appliance will be repaired or replaced without charge at Focus Electrics' discretion. This warranty applies to indoor household use only.

This warranty does not cover any damage, including discoloration, to any non-stick surface of the appliance. This warranty is null and void, as determined solely by Focus Electrics if the appliance is damaged through accident, misuse, abuse, negligence, scratching, or if the appliance is altered in any way.

THIS WARRANTY IS IN LIEU OF ALL IMPLIED WARRANTIES, INCLUDING WARRANTIES OF MERCHANTABILITY, FITNESS FOR A PARTICULAR PURPOSE, PERFORMANCE, OR OTHERWISE, WHICH ARE HEREBY EXCLUDED. IN NO EVENT SHALL FOCUS ELECTRICS BE LIABLE FOR ANY DAMAGES, WHETHER DIRECT, INDIRECT, INCIDENTAL, FORSEEABLE, CONSEQUENTIAL, OR SPECIAL, ARISING OUT OF OR IN CONNECTION WITH THIS APPLIANCE.

If you think the appliance has failed or requires service within its warranty period, please contact the Focus Electrics Customer Service Department at (866) 290-1851, or e-mail us at [service@focuselectrics.com](mailto:service@focuselectrics.com). A receipt proving the original purchase date will be required for all warranty claims, **hand written receipts are not accepted**. You may also be required to return the appliance for inspection and evaluation. Return shipping costs are not refundable. Focus Electrics is not responsible for returns lost in transit.

**Valid only in USA and Canada**

## REPLACEMENT PARTS

Replacement parts, if available, may be ordered directly from Focus Electrics, LLC several ways. Order online at [www.focuselectrics.com](http://www.focuselectrics.com), e-mail [service@focuselectrics.com](mailto:service@focuselectrics.com), over the phone by calling (866)290-1851, or by writing to:

Focus Electrics, LLC  
Attn: Customer Service  
P. O. Box 2780  
West Bend, WI 53095

To order with a check or money order, please first contact Customer Service for an order total. Mail your payment along with a letter stating the model or catalog number of your appliance, which can be found on the bottom or back of the unit, a description of the part or parts you are ordering, and the quantity you would like. Your check should be made payable to Focus Electrics, LLC.

Your state/province's sales tax and a shipping fee will be added to your total charge. Please allow two weeks for processing and delivery.

This manual contains important and helpful information regarding the safe use and care of your new Focus Electrics product. For future reference, attach dated sales receipt for warranty proof of purchase and record the following information:

Date purchased or received as gift: \_\_\_\_\_

Where purchased and price, if known: \_\_\_\_\_

Item number and Date Code (shown bottom/back of product): \_\_\_\_\_



# West Bend®

## MACHINE A PAIN HI-RISE™

Mode d'emploi



Enregistrez ce produit et d'autres produits Focus Electrics sur notre site Web:  
[www.registerfocus.com](http://www.registerfocus.com)

Précautions Importantes .....	2
Avant la Première Utilisation .....	4
Connaître Les Ingrédients .....	6
Étapes Élémentaires de la Préparation du Pain .....	9
Nettoyage de Votre Machine à Pain .....	11
Résolution des Problèmes .....	12
Recettes .....	15
Garantie .....	25

**CONSERVEZ CE MANUEL D'INSTRUCTIONS POUR RÉFÉRENCE FUTURE**

# PRECAUTIONS IMPORTANTES



## MISE EN GARDE

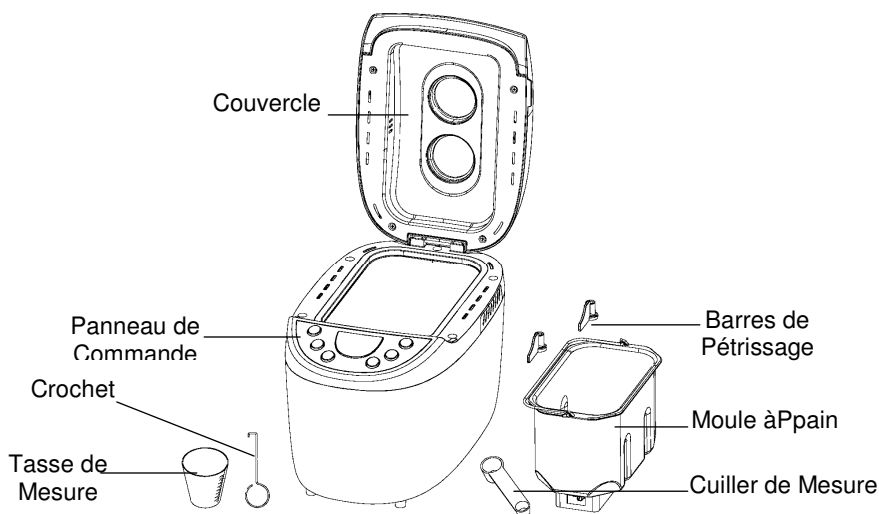
**Pour empêcher toute blessure physique ou tout dommage matériel, lisez et suivez toutes les consignes et mises en garde.**

Lorsque vous utilisez des appareils électriques, les précautions de sécurité élémentaires devraient toujours être respectées, notamment:

- Lisez toutes les instructions, notamment les présentes précautions importantes, ainsi que les consignes pour l'entretien de ce manuel.
- Ne touchez pas les surfaces à haute température. Utilisez les poignées carrées ou rondes. Utilisez toujours des maniques ou des gants de cuisine lorsque vous manipulez du pain chaud et le moule à pain.
- Pour vous protéger contre tout choc électrique, n'immergez pas le cordon, les fiches ni aucune autre pièce électrique dans l'eau ni dans tout autre liquide.
- Une surveillance étroite est nécessaire lorsque vous cet appareil est utilisé par ou à proximité d'enfants.
- Débranchez l'appareil de la prise électrique lorsqu'il n'est pas utilisé et avant de le nettoyer. Laissez l'appareil refroidir avant la mise en place ou le retrait de pièces et avant tout nettoyage.
- N'utilisez pas cet appareil avec un cordon abîmé ou une fiche détériorée, si l'appareil a connu un dysfonctionnement ou si l'appareil est tombé ou a été détérioré de quelque manière que ce soit. Si vous rencontrer un problème quel qu'il soit avec votre appareil, débranchez-le immédiatement de la prise secteur. Pour des informations sur les réparations, voir la page de garantie.
- L'utilisation d'accessoires non recommandés par Focus Electrics risque de causer un incendie, une électrocution ou des blessures.
- N'utilisez pas cet appareil à l'extérieur.
- Ne laissez pas pendre le cordon du bord du plan de travail ou de la table et assurez-vous qu'il ne touche pas de surface chaude.
- Ne le placez pas sur ou près d'un brûleur à gaz ou électrique chaud ou dans un four chauffé.
- Vous devez faire preuve d'une extrême prudence lorsque vous déplacez un appareil électrique en fonctionnement.
- Pour débrancher l'appareil, tournez toute commande sur « OFF » puis retirez la fiche de la prise murale.
- N'utilisez pas l'appareil pour une autre utilisation que l'utilisation indiquée.
- Évitez tout contact avec les pièces mobiles.
- Ne laissez pas le cordon électrique entrer en contact avec une surface à haute température, y compris la gazinière.
- Cet appareil est pourvu d'une fiche polarisée (une lame est plus large que l'autre). Pour réduire le risque d'électrocution, cette fiche est conçue pour s'encaster dans une prise secteur polarisée dans un sens uniquement. Si la fiche ne s'insère pas complètement dans la prise secteur, retournez la fiche. Si elle ne s'encastre toujours pas, contactez un électricien qualifié. Ne tentez pas de modifier la fiche de quelque manière que ce soit.
- Placez le plat à pain sur la grille à pain, une grille ou toute autre surface résistante à la chaleur. Ne posez pas le plat à pain à haute température directement sur le plan de travail, la table ou toute autre surface.

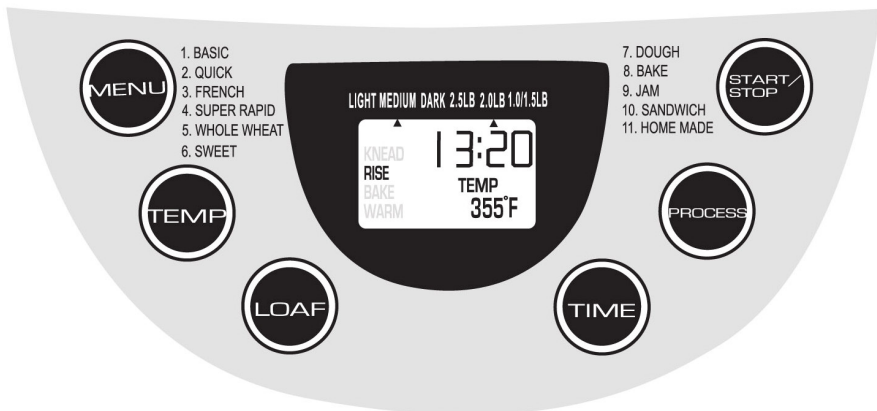
- Ne placez pas la main à l'intérieur du compartiment du four une fois que le pain a été retiré. L'élément de chauffage sera toujours chaud.
- N'utilisez pas votre machine à pain avec un convertisseur ou un transformateur. Ceci détruirait les commandes électroniques.
- N'essayez pas de réparer cet appareil vous-même.
- Le cordon d'alimentation fourni est court pour réduire les risques qu'une personne se prenne les pieds ou trébuche sur un cordon plus long.
- Des cordons d'alimentations plus longs détachables ou des cordons de rallonge sont disponibles et peuvent être utilisés à condition de faire preuve de prudence lors de leur utilisation. Bien que l'utilisation d'un cordon de rallonge ne soit pas recommandée, si vous devez en utiliser un, la puissance nominale indiquée pour le cordon d'alimentation détachable ou pour le cordon de rallonge devrait être au moins aussi importante que la puissance nominale de l'appareil. Si l'appareil est de type raccordé à la terre, le cordon de rallonge devrait être relié à la terre et composé de trois fils. Le cordon devrait être disposé de manière à ne pas pendre depuis le plan de travail d'où il risque d'être tiré par des enfants ou d'où quelqu'un pourrait s'y prendre les pieds.
- **Pour une utilisation domestique uniquement.**

## CONSERVEZ CES CONSIGNES



### AVANT LA PREMIÈRE UTILISATION

Mieux Connaître Votre Machine à Pain. Le panneau de commande de votre machine à pain a été conçu pour être très facile à utiliser. Veuillez examiner les fonctionnalités suivantes pour mieux comprendre le panneau de commande.



### PANNEAU DE COMMANDES et FONCTIONS

**ÉCRAN LCD:** L'écran indique quand l'appareil est prêt à l'emploi. Lorsque vous branchez l'appareil pour la première fois, celui-ci émet un bip audible et le programme par défaut s'affiche. « 1 3:20 » s'affiche sur l'écran. Le « 1 » précise quel programme a été sélectionné (programmes 1-11) et le « 3:20 » est la durée du programme en heures: minutes. Le positionnement du marquage en haut de l'écran indique le poids de la miche de pain sélectionné (2.5; 2 ou 1/ 1 ½ livres) avec 2.5 livres (1.1kg) comme réglage par défaut. Le positionnement du marquage au bas de l'écran indique le degré de cuisson sélectionné « LIGHT » (léger), « MEDIUM » (MOYEN) ou « DARK » (foncé) avec moyen comme réglage par défaut. Au fur et à mesure que le programme continue, les chiffres du temps affiché diminuent progressivement pour indiquer le temps restant. Pendant le fonctionnement, l'état du programme est indiqué sur l'écran avec une marque sur le mode de programme actif: « Minuteur », « Préchauffage », « Pétrissage », « Pause », « Levée », « Cuisson », « Maintien au chaud » et « Fin » du programme ».

**TOUCHE « START/STOP » (MARCHE/ARRÊT):** La touche « START/STOP » (marche/arrêt) est utilisée pour démarrer ou annuler un programme. Une brève alarme est émise à chaque appui sur la touche « START/STOP » (marche/arrêt). Appuyez sur cette touche lorsque la machine à pain est au repos pour démarrer le programme. Lorsque la machine à pain est active, maintenez cette touche enfoncée pour annuler le programme. Si vous annulez le programme, la machine à pain revient à ses paramètres par défaut pour la sélection de menu choisie. Tous les paramètres personnalisés seront perdus si le programme est annulé. Vous devez définir tous les paramétrages de programmes souhaités avant de commencer le programme. Le programme ne peut pas être modifié une fois que le cycle a commencé, sauf si vous annulez le cycle.

« **TIME** » (**TEMPS**): La touche « TIME » (temps) sert à définir un horaire de fin pour un programme retardé. Seuls les programmes suivants peuvent être utilisés avec le minuteur de retardement: (1) « BASIC » (simple), (3) « FRENCH » (baguette), (5) « WHOLE WHEAT » (blé complet), (6) « SWEET » (sucre) et (7) « DOUGH » (pâte). Les programmes (4) « SUPER RAPID » (super rapide), (2) « QUICK » (rapide), (9) « JAM » (confiture) et (8) « BAKE » (cuisson) ne peuvent pas être lancés avec le minuteur de retardement. Les heures et les minutes de retard seront ajoutées aux durées préprogrammées pour le programme spécifique.

**RETARDER LE DÉMARRAGE**: Le temps indiqué sur l'écran est le temps jusqu'à la fin du cycle. La durée de retard maximale est de 12 heures et 58 minutes par programme. Exemple: Il est 20 h 30 et vous voulez que le pain soit prêt le lendemain à 7 h. Calculez la différence: il faut ajouter 10 heures et 30 minutes pour aller de 20 h 30 à 7 h. Appuyez sur le bouton de la « TIME » (temps) jusqu'à ce que 10:30 s'affiche sur l'écran.

N'utilisez **JAMAIS** la fonction de départ différé lorsque vous utilisez des ingrédients périssables comme du lait, des œufs, des fruits, du yaourt, etc.!

**Touche « TEMP » (TEMP)**: « TEMP » (temp) fait défiler les niveaux de cuisson souhaités: « LIGHT » (**léger**) (320 °F/160 °C), « MEDIUM » (**moyen**) (355 °F/179 °C) et « DARK » (**foncé**) (390 °F/199 °C). La température est réglée par défaut sur « MEDIUM » (**moyen**); l'écran LCD affiche la valeur de température correspondante et cela s'applique uniquement pour les programmes suivants: « SUPER RAPID » (super rapide), « WHOLE WHEAT » (blé complet), « SWEET » (sucré), « BAKE » (cuisson) et « SANDWICH » (sandwich). Les températures changent « SUPER RAPID » (super rapide) à « LIGHT » (**léger**) (375 °F/191 °C) « MEDIUM » (**moyen**) (390 °F/199 °C) « DARK » (**foncé**) (410 °F/210 °C) et le changement "Quick" (Rapide) à « LIGHT » (**léger**) (330 °F/166 °C) « MEDIUM » (**moyen**) (345 °F/174 °C) « DARK » (**foncé**) (365 °F/185 °C).

**TOUCHE « LOAF » (PAIN)**: La touche « LOAF » (pain) ajuste les divers programmes pour la taille de miche de pain sélectionnée; 2.5 livres (1.1kg), 2.0 livres (.91kg) ou 1.0/1.5 livres (.68kg). Cette touche fonctionne uniquement pour les programmes suivants: « BASIC » (simple), (3) « FRENCH » (baguette), « SUPER RAPID » (super rapide), « WHOLE WHEAT » (blé complet), « SWEET » (sucre) et « SANDWICH » (sandwich).

**BOUTON « MENU »**: Utilisez le bouton du menu pour sélectionner le programme souhaité. En général, utilisez les programmes suggérés suivants pour les spécialités suivantes.

## **SELECTIONS DU MENU**

**Menu 1: « BASIC »** (élémentaire) pour les pains blancs, de seigle, aux pommes de terre, aux œufs, à l'ail et les pains similaires. Le paramétrage Élémentaire peut être utilisé pour presque n'importe quelle recette de pain contenant principalement de la farine à pain.

**Menu 2: « QUICK »** (rapide) pour des pains rapides qui n'utilisent pas de levure et nécessitent uniquement de pétrir et de cuire.

**Menu 3: « FRENCH »** (baguette) pour la préparation des pains particulièrement blancs et des pains italiens.

**Menu 4: « SUPER RAPID »** (super rapide) Pour préparer des pains de 2.0 livres (.91kg) en moins de 2 heures.

**Menu 5: « WHOLEWHEAT »** (pain complet) pour les pains contenant 50% ou plus de blé complet, de blé craqué, de blé au babeurre et les pains semblables.

**Menu 6: « SWEET »** (sucre) pour la préparation de pains avec des raisins, de la cannelle, des abricots et des ingrédients semblables.

**Menu 7: « DOUGH »** (pâte) pour la préparation de la pâte (pas de cuisson).

**Menu 8:** « **BAKE** » (cuisson) pour simplement cuire et/ou faire brunir du pain ou des gâteaux

**Menu 9:** « **JAM** » (confiture) pour cuire les marmelades et les confitures.

**Menu 10:** « **SANDWICH** » (sandwich) pour cuire un pain légèrement texturé avec une croûte plus fine, parfait pour les sandwiches à la maison.

**Menu 11:** « **HOME MADE** » (fait maison) Ce programme s'adresse aux boulangers qui sont très familiers de la cuisson du pain dans une machine à pain. Ce programme permet une personnalisation complète de la fabrication du pain. La durée de chaque cycle, pétrissage, levée, cuisson et maintien au chaud, peut être personnalisée. La gamme de temps programmables pour chaque programme est la suivante.

KNEAD1 (Pétrissage1)	3-14min
RISE1 (Levée1)	20-60 min
KNEAD2 (Pétrissage2)	8-24 min
RISE2 (Levée2)	1-60 min
RISE3 (Levée3)	20-120 min
BAKE (Cuisson)	0-80 min
WARM (Maintien au chaud)	0-120 min

Veuillez consulter la section « **Instructions particulières pour le « HOME MADE** » (fait maison) pour des instructions détaillées concernant l'utilisation de la fonction « HOME MADE » (fait maison).

## ALARME, SONS, ET FONCTIONS GENERALES

**Alarme:** Une sonnerie est émise;

- Lorsque vous appuyez sur un bouton de sélection d'une fonction: s'il ne se produit aucun son, cela veut dire que ce choix de fonction n'est pas disponible.
- Pendant le second cycle de pétrissage des programmes « BASIC » (Elémentaire), « WHOLEWHEAT » (Pain complet), « SWEET » (Doux) et « BROWN BREAD » (Noir) pour indiquer que les céréales, les fruits, les noix ou les autres ingrédients peuvent être ajoutés.
- Lorsque vous avez atteint la fin du programme.
- Pendant la phase de mise en garde à la fin de la procédure de cuisson, la sonnerie est émise plusieurs fois.

**Coupure de Courant:** Si le courant est interrompu pendant moins de cinq minutes, la position du programme reste en mémoire et la machine continue normalement dès que l'alimentation électrique est rétablie.

**Erreur Temp trop Elevée:** Si l'écran affiche « **H H H** » une fois que le programme a été lancé, cela signifie que la température à l'intérieur du moule à pain est trop élevée. Vous devriez arrêter le programme et débrancher le cordon d'alimentation immédiatement. Ouvrez le couvercle et laissez la machine refroidir complètement avant de l'utiliser à nouveau.

- Il est possible qu'un peu de fumée et une légère odeur se dégagent pendant le chauffage en raison de la diffusion des huiles de fabrication: c'est tout à fait normal.
- De petits bruits d'expansion/contraction peuvent être produits pendant le chauffage et le refroidissement: c'est tout à fait normal.

## CONNAITRE LES INGREDIENTS ET MESURER AVEC PRECISION

Bien que la préparation du pain semble très simple, c'est une science et les proportions des ingrédients sont essentielles. L'étape la plus importante de l'utilisation de votre machine à pain est la mesure des ingrédients avec précision. Lisez les informations

suivantes pour mieux comprendre l'importance du rôle de chaque ingrédient dans le processus de préparation du pain. Vérifiez toujours que les ingrédients sont frais.



Mesurez les ingrédients liquides dans des ustensiles de mesure translucides gradués avec précision. Placez le récipient sur une surface plane et mesurez au "Niveau de l'œil", pas suivant un angle. Toutes les mesures doivent être précises. Utilisez toujours des liquides entre 27-32°C (80-90°F) pour assurer

l'activité optimale de la levure.



Versez à la cuiller les ingrédients secs dans les ustensiles de mesure adaptés puis arasez avec un couteau de cuisine. Tous les ingrédients mesurés dans les ustensiles de mesure doivent être arasés, pas arrondis ni bombés.



Ne plongez jamais les ustensiles de mesure dans les ingrédients secs. Ceci comprimerait les ingrédients dans l'ustensile et provoquerait la sécheresse de la pâte, avec pour conséquence un petit pain.

**DE LA FARINE A PAIN** devrait être utilisée dans votre machine à pain. Elle contient davantage de protéines formant du gluten que les farines multi-usages et donne des pains biens formés avec une bonne structure. Plusieurs marques différentes de farines à pain sont disponibles. N'utilisez pas de farine qui lève toute seule ou de farine à gâteau dans votre machine à pain.

**DE LA FARINE A PAIN COMPLET** peut être utilisée dans votre machine à pain avec le réglage Pain complet. La farine à pain complet contient la totalité du grain de blé, y compris le son et le germe, les pains fabriqués avec 100% ou un pourcentage élevé de farine de blé complet sont donc plus bas en taille et plus lourds en texture que les pains préparés avec de la farine à pain. Le paramétrage Pain complet de votre machine à pain est programmé pour mieux développer la structure des pains de blé pour un résultat optimal.

**DE LA FARINE DE SEIGLE** peut être utilisée en association avec de la farine à pain pour la préparation de pain de seigle ou de pain noir. Toutefois, elle ne peut pas être utilisée seule car elle ne contient pas suffisamment de protéines pour développer un gluten adapté à la structure.

**LE SUCRE ET LES AUTRES EDULCORANTS** alimentent la levure, apportent de la hauteur et de la saveur au pain et donnent à la croûte une couleur dorée. Les types d'édulcorants qui peuvent être utilisés incluent le sucre, le sucre brun, le miel, les mélasses, le sirop d'érable, le sirop de maïs et les fruits (secs ou frais). N'utilisez pas d'édulcorants artificiels comme substitut pour le sucre et les autres édulcorants naturels car la levure ne réagirait pas correctement et vous obtiendriez un résultat médiocre. Lorsque vous mesurez des édulcorants collants, enduisez la cuiller de mesure avec de l'huile végétale avant de mesurer l'édulcorant. Cela permettra à l'édulcorant de glisser hors de la cuiller sans coller.

**LE LAIT** optimise le goût et augmente la valeur nutritionnelle du pain. Vous pouvez utiliser n'importe quel type de lait pour la préparation du pain: en poudre, entier, à 1 ou 2%, écrémé, babeurre ou du lait concentré. Le lait réfrigéré peut être réchauffé à 27-32°C (80-90°F) toutefois sans le surchauffer (au-dessus de 100°F/232°C) car cela risquerait d'avoir une influence négative sur l'activité de la levure. N'utilisez pas de lait ordinaire lorsque vous utilisez la fonction « TIME DELAY » (départ différé). Utilisez du lait en poudre et de l'eau comme produit de remplacement.

**DE L'EAU** utilisée en association avec du lait condensé peut être utilisée à la place du lait ordinaire et doit être utilisée lorsque vous utilisez la fonction de Départ différé car le lait ordinaire risque de tourner si vous le laissez à température ambiante pendant plusieurs heures. Utilisez de l'eau tiède, environ 27-32°C (80-90°F). N'utilisez pas d'eau à plus de 100°F (232°C) car cela pourrait avoir un effet négatif sur la levure.

**LE BEURRE, LA MARGARINE, L'HUILE VEGETALE ET LES HUILES** servent plusieurs objectifs dans la préparation du pain en le rendant plus tendre, tout en apportant de la saveur et de la richesse. Le beurre et la margarine sont interchangeable dans les recettes. Le beurre et la margarine peuvent être utilisés directement après leur sortie du réfrigérateur mais coupez le beurre froid ou la margarine froide en petits morceaux pour accélérer le mélange pendant le cycle de pétrissage. Les pains à faible teneur en matières grasses ou sans matières grasses peuvent être préparés en substituant des quantités équivalentes de sauce à la pomme sans sucre ou de yaourt nature à la quantité de matière grasse recommandée dans la recette. L'utilisation de moins de matière grasse aura une influence sur la hauteur, le moelleux et la texture du pain, ce qui est normal.

**LES ŒUFS** apportent de la couleur, de la richesse et du levain au pain. Utilisez de gros œufs. Aucun prémélange n'est nécessaire. Des substituts d'œufs peuvent être utilisés à la place des œufs frais. Un œuf correspond à ¼ tasse de substitut d'œuf. Pour réduire le cholestérol, vous pouvez substituer deux (2) blancs d'œuf à un gros œuf dans les recettes sans affecter le résultat final. Observez la pâte pendant le cycle de pétrissage car des ajustements mineurs pourraient être nécessaires pour obtenir la bonne consistance de pâte.

**LE SEL** a plusieurs fonctions dans la préparation du pain. Il contrôle la croissance de la levure tout en renforçant la structure du gluten pour rendre la pâte plus élastique et ajoute de la saveur. Utilisez du sel de table ordinaire dans votre machine à pain. L'utilisation de trop peu de sel ou l'élimination du sel provoquera un gonflement excessif de la pâte. L'utilisation de trop de sel peut empêcher la pâte de lever aussi haut qu'elle le devrait. Du sel « LIGHT » (léger) peut être utilisé comme substitut au sel de table ordinaire, à condition que celui-ci contienne à la fois du chlorure de potassium et du sodium. Utilisez la même quantité que celle recommandée pour le sel de table. Lorsque vous ajoutez du sel dans le plat, ajoutez-le dans un coin pour le maintenir à l'écart de la levure, en particulier lorsque vous utilisez le Départ différé car le sel peut affecter l'activité de la levure.

**LA LEVURE** est un organisme vivant, qui par fermentation se nourrit des glucides présents dans la farine et le sel pour produire du dioxyde de carbone qui fait lever le pain. Vous pouvez utiliser de la levure sèche active, de la levure à action rapide ou de la levure pour machine à pain. Utilisez uniquement la quantité indiquée dans les recettes. L'utilisation d'un peu plus de levure peut provoquer un gonflement excessif de la pâte et une cuisson jusqu'en haut de la machine à pain. La levure à action rapide et la levure pour machine à pain sont pratiquement les mêmes et sont interchangeables. N'utilisez pas de levures comprimées car vous risqueriez d'obtenir un résultat médiocre. Une enveloppe de ¼ d'onze de levure contient 2¼ cuillères à café. La levure s'achète également en vrac de sorte que vous puissiez mesurer la quantité exacte dont vous avez besoin. Une fois ouverte, conservez-la au réfrigérateur. Assurez-vous toujours que la levure est fraîche et que la date limite de consommation n'est pas dépassée.

**REMARQUES PARTICULIÈRES CONCERNANT LA FARINE** Comment réaliser de petits ajustements pour la pâte: Toutes les farines sont influencées par les conditions de pousse, le broyage, le stockage, l'humidité, etc. Bien que cela puisse ne pas être visible à l'œil, vous aurez peut-être besoin de réaliser de petits ajustements lorsque vous utiliserez des marques de farines différentes ainsi que pour compenser l'humidité dans votre région. Stockez toujours la farine à pain dans un récipient étanche. Stockez les farines de grains complets, le blé complet et le seigle, dans un réfrigérateur pour les empêcher de devenir rances. Mesurez la quantité de farine comme l'indique chaque recette, mais procédez à tout ajustement après les 3 à 4 premières minutes de pétrissage en continu.

**REMARQUE SUR LA CANNELLE ET L'AIL:** Le fait d'ajouter trop de cannelle ou d'ail peut affecter la texture et la taille du pain obtenu. La cannelle peut briser la structure de la pâte, affectant ainsi sa hauteur et sa texture. Trop d'ail risque d'inhiber l'activité de la levure. Utilisez uniquement la quantité de cannelle et d'ail recommandée dans la recette.



**AJUSTEMENTS DE PÂTE** N'éteignez pas la machine à pain pour ajuster la pâte, et vérifiez l'état de la pâte en la touchant et en la regardant pendant le cycle de pétrissage. Les ajustements ne peuvent être réalisés que pendant le cycle de pétrissage.

- Si la pâte semble un peu collante et s'il y a une petite coulée de pâte sous la lame de pétrissage, aucun ajustement n'est nécessaire.
- Si la pâte est très collante, s'accroche aux parois du moule, et ressemble plus à une pâte à frire qu'à une pâte à pain, ajoutez une cuiller à soupe de farine. Laissez la farine se mélanger complètement dans la pâte avant de faire d'autres ajustements. Pour empêcher la chaleur de s'échapper, n'ouvrez le couvercle de la machine à pain que pour ajouter de la farine.
- Si la pâte est sèche et que la machine à pain semble rencontrer des difficultés, ajoutez une cuiller à café d'eau tiède. Laissez l'eau se mélanger complètement dans la pâte avant de faire des ajustements supplémentaires et maintenez le couvercle fermé pour maintenir la chaleur à l'intérieur de l'appareil.

La pâte est « juste bien » lorsqu'elle est homogène en apparence, douce au toucher, laisse un léger résidu sur votre doigt, et que le fond du moule à pain ne contient aucun résidu de pâte.

**CRÉER DES CROÛTES DE PAIN D'ARTISAN** Juste avant le début du cycle de cuisson du pain, ouvrez le couvercle de la machine à pain et brossez soigneusement la surface supérieure de la pâte avec un blanc d'œuf légèrement battu qui a été mélangé avec une cuiller à café d'eau. Si vous le souhaitez, entaillez le haut de la pâte sur une profondeur de 0,62 à 1,25 cm avec un couteau tranchant pour former le motif souhaité. Laissez comme cela ou saupoudrez de graines, d'herbes aromatiques, de parmesan râpé ou de fromage romano, ou de toute autre garniture souhaitée. Appuyez doucement les garnitures sur la pâte pour vous assurer qu'elles adhèrent et ne tombent pas. Fermez le couvercle et laissez le pain cuire.

Pour un résultat optimal, utilisez uniquement le blanc d'œuf battu avec de l'eau pour traiter la croûte avant le début du cycle de cuisson. Ce mélange garantira que les garnitures collent et ne tombent pas lorsque vous retirerez le pain du moule.

N'utilisez pas d'huile végétale en aérosol pour traiter les croûtes, car les aérosols de cuisine peuvent être inflammables lorsqu'ils sont exposés à l'unité de chauffage de la machine à pain.

La croûte peut également être traitée après la cuisson du pain. Retirez le pain du moule à pain et placez-le sur une grille. Brossez légèrement le haut du pain avec du beurre fondu, de la margarine, de l'huile d'olive ou de l'huile végétale et saupoudrez la garniture souhaitée sur la partie supérieure du pain.

## ÉTAPES ELEMENTAIRES DE LA PRÉPARATION DU PAIN

**Nettoyez toujours votre appareil neuf avec soin avant de l'utiliser. Consultez la section « Nettoyage de votre Machine à Pain Hi-Rise™ ».**

1. Placez le moule à pain anti-adhésif dans l'appareil, exactement au centre du socle, dans l'espace de cuisson. Appuyez légèrement sur le moule à pain et le système de verrouillage s'enclenchera si le moule est bien centré. Pour retirer le moule à pain, tirez-le par ses poignées en exerçant une force moyenne.  
**ATTENTION:** La poignée est très chaude après la cuisson. Utilisez des maniques ou des gants de cuisine lorsque vous retirez un moule à pain chaud.
2. Positionnez les barres de pétrissage sur les axes dans la partie inférieure du moule à pain, en faisant correspondre la forme du moyeu avec la forme de l'axe. Vous aurez peut-être besoin de faire pivoter la barre légèrement pour que la barre de pétrissage tombe en place. Assurez-vous que les barres de pétrissage sont enfoncées sur les axes jusqu'au bout.
3. Ajoutez les ingrédients dans le moule à pain selon l'ordre indiqué dans la recette; les liquides en premier, ensuite le beurre ou la margarine, ensuite les

ingrédients secs et enfin la levure. Pour de meilleurs résultats, mettez à niveau les ingrédients secs avant d'ajouter la levure.

4. Branchez le cordon de la machine à pain sur une prise secteur 120 volts AC **UNIQUEMENT**.
5. Utilisez le bouton « MENU » (menu) pour sélectionner le menu de programme souhaité.
6. Utilisez le bouton « LOAF » (pain) pour sélectionner la taille de pain souhaitée.
7. Utilisez le bouton « TEMP » (temp) pour sélectionner le degré de cuisson souhaitée.
8. Si vous le souhaitez, vous pouvez utiliser les flèches haut et bas du « TIME » (temps) pour définir le temps écoulé pour lorsque le programme doit se terminer.
9. Appuyez sur la touche « START/STOP » (marche/arrêt) pour lancer le programme. Une fois que la machine à pain s'est mise en marche, le paramétrage programmé ne peut pas être modifié sans annuler le programme. Pour modifier le paramétrage, maintenez la touche "START/STOP" (marche/arrêt) enfoncée jusqu'à ce que l'alarme soit émise. Ensuite, programmez la commande comme vous le souhaitez et remettez la machine en marche.
10. Lorsque le pain est prêt, une alarme est émise. Mettez la machine à pain hors tension en maintenant la touche « START/STOP » (marche/arrêt) enfoncée jusqu'à ce que la sonnerie retentisse. Débranchez le cordon d'alimentation de la prise secteur. Si la machine à pain n'est pas arrêtée une fois que le cycle est terminé, elle passe automatiquement en mode de "Maintien au chaud" pendant une heure. Si la machine n'est pas éteinte après la fin de la période de « Keep Warm » (maintien au chaud), elle se met automatiquement hors tension.
11. Retirez le moule à pain. **ATTENTION:** La poignée est très chaude après la cuisson. Utilisez des gants de cuisine ou des maniques lorsque vous retirez à moule à pain chaud de la machine à pain.
12. Retournez le moule à pain et secouez doucement jusqu'à ce que la miche de pain tombe. Placez le pain sur une grille pour qu'il refroidisse pendant 15 à 20 minutes. Les barres de pétrissage restent normalement dans le moule à pain lorsque le pain est démoulé, mais elles peuvent à l'occasion glisser dans le pain. Si les barres de pétrissage sont à l'intérieur du pain, retirez-les à l'aide du crochet fourni avant de trancher le pain. **ATTENTION:** Les barres de pétrissage sont très chaudes, faites preuve de prudence en les retirant. Si vous préparez un autre pain juste après, assurez-vous que la machine a été mise hors tension et qu'elle a pu refroidir pendant 15 à 20 minutes avec le couvercle ouvert.

**Instructions spéciales pour le « Fait maison »:** Le réglage "HOME MADE" (fait maison) est parfait pour un utilisateur familier des subtilités de la préparation du pain à la maison et qui souhaite personnaliser ses paramètres.

1) Appuyez sur la touche « PROCESS » (PROCEDURE) une fois et "KNEAD1" (PETRISSAGE1) s'affiche sur l'écran; ensuite appuyez sur la touche "TIME" (temps) pour ajuster les minutes. Appuyez à nouveau sur « PROCESS » (PROCEDURE) pour confirmer la durée du premier cycle de pétrissage. Appuyez à nouveau sur « PROCESS » (PROCEDURE) pour passer à l'étape suivante. **Remarque:** Pour avancer l'heure plus rapidement, maintenez la touche « TIME » (temps) enfoncée.

2) « RISE1 » (LEVEE1) s'affiche maintenant à l'écran. Appuyez sur la touche « TIME » (temps) pour ajuster les minutes. Une fois que le temps désiré a été paramétré, appuyez à nouveau sur « PROCESS » (PROCEDURE) pour continuer.

3) Continuez jusqu'à ce que vous ayez personnalisé tous les paramètres. Appuyez sur « START/STOP » (marche/arrêt) pour sortir du mode de programmation, puis appuyez à nouveau pour commencer le cycle.

**Remarque:** La mémoire de votre machine à pain peut se souvenir de vos paramètres de préparation maison du pain personnalisés, sauf en cas de coupure de courant de plus de 5 minutes. Lorsque « Home Made » (fait maison) est sélectionné en premier, le paramétrage par défaut est le même que pour « BASIC » (simple).

**Réglage en Haute Altitude:** La réduction de la pression atmosphérique en haute altitude peut provoquer l'expansion plus rapide des gaz de la levure et une levée plus rapide de la pâte. La pâte peut lever tellement que quand la cuisson commence elle s'effondre en raison d'une extension excessive de la structure du gluten. Pour ralentir la levée de la pâte, réduisez la quantité de levure de  $\frac{1}{4}$  de cuiller à café à la fois jusqu'à ce que vous trouviez la bonne quantité. Vous pouvez également réduire la quantité de liquide d'une cuiller à café ou deux. Une certaine expérimentation sera nécessaire si vous utilisez votre machine à pain en altitude.

## NETTOYAGE DE VOTRE MACHINE A PAIN HI-RISE™

1. Débranchez le cordon de la prise secteur et laissez l'appareil refroidir complètement avant de le nettoyer.
2. Immédiatement après avoir retiré le pain du plat, remplissez le plat jusqu'à la moitié avec de l'eau chaude et une petite quantité de liquide vaisselle. Laissez le plat tremper pendant 5 à 20 minutes ou jusqu'à ce que la barre de pétrissage puisse être retirée de l'axe. Il est possible que vous deviez tordre légèrement la barre pour la dégager. Il est possible que la barre de pétrissage ait besoin de tremper dans l'eau avant de pouvoir être retirée. Si la barre de pétrissage est difficile à retirer après avoir trempé, fixez la barre transversale au-dessous du plat tout en faisant pivoter la barre de pétrissage pour la dégager. Lavez l'intérieur du plat et la barre de pétrissage avec un chiffon doux, rincez et séchez. Utilisez un détergent de puissance moyenne. N'utilisez jamais d'agents nettoyants chimiques, de nettoyants pour four, de tampons à récurer abrasifs ou de détergents sur le plat à pain ou la barre de pétrissage car cela risquerait de détériorer le revêtement ou la finition. Remplacez la barre de pétrissage sur l'axe.
3. Ne plongez jamais le moule à pain dans de l'eau ou ne le lavez jamais au lave-vaisselle automatique car cela risquerait de détériorer les roulements qui entraînent la barre de pétrissage. Essuyez l'intérieur du compartiment du four et les surfaces externes de la machine à pain à l'aide d'un torchon humide si nécessaire. Ne trempez jamais l'appareil dans l'eau ou ne remplissez jamais le compartiment de cuisson avec de l'eau! Le couvercle ne **peut pas** être retiré pour le nettoyage.



**REMARQUE:** Le revêtement à l'intérieur du plat à pain peut changer de couleur au fil du temps; ceci est normal et n'affecte pas le pain.

## GUIDE POUR LA RESOLUTION DES PROBLEMES

**Examinez les Problèmes, les Causes Potentielles et les Solutions Ci-Dessous.**

### TAILLE ET FORME DU PAIN

#### **Petits pains**

- Les pains à la farine de blé complet seront plus petits que les pains blancs parce que cette farine contient moins de protéines de formation de gluten.
- Pas suffisamment de liquide – Augmentez la quantité de liquide de 1-2 cuillers à café.
- Sucre omis ou pas suffisamment de sucre ajouté – Assemblez les ingrédients comme indiqué dans la recette.
- Mauvais type de farine utilisé – N'utilisez pas de farine multi-usages.
- Pas suffisamment de levure utilisée ou levure trop ancienne – Mesurez la quantité recommandée et vérifiez la date de fraîcheur sur l'emballage.
- Mauvais type de levure utilisé – Utilisez de la levure à levée rapide ou de la levure pour machine à pain. N'utilisez pas de levure pressée.

#### **Pains plat, qui ne lèvent pas**

- Pas de levure – Assemblez les ingrédients comme indiqué dans la recette.
- Levure trop ancienne – Vérifiez la date d'expiration.
- Liquide trop chaud – Utilisez des liquides tièdes à 27-32°C (80-90°F).
- Trop de sel ajouté – Employez la quantité indiquée par la recette.
- Le sucre ou un autre édulcorant est absent – Assemblez les ingrédients comme indiqué dans la recette.

#### **Le haut et les côtés tombent vers l'intérieur**

- Trop de liquide – Réduisez la quantité de liquide de 1-2 cuillers à café.
- Trop de levure – Utilisez la quantité recommandée.

#### **Dessus noueux et ratatiné, pas homogène**

- Pas suffisamment de liquide – augmentez la quantité de liquide de 1-2 cuillers à café.
- Trop de farine – Mesurez la farine avec précision, en arasant la tasse de mesure.

#### **Pain inégal, plus petit d'un côté**

- Pâte trop sèche empêchant une levée homogène dans le plat – augmentez la quantité de liquide de 1-2 cuillers à café.

#### **Effondrement pendant la cuisson**

- Peut être provoqué par une cuisson en altitude – Effectuez les ajustements pour la cuisson en altitude en réduisant la quantité de levure de ¼ de cuiller à café et en réduisant la quantité de liquide de 1-2 cuillers à café.

## TEXTURE DU PAIN

### Texture lourde, dense

- Trop de farine – Mesurez précisément, en arasant la tasse de mesure.
- Pas suffisamment de levure – Ajoutez la quantité de levure recommandée.
- Pas suffisamment de sucre – Ajoutez la quantité recommandée de sucre.

### Texture ouverte, grossière, trouée

- Pas de sel – Assemblez les ingrédients comme indiqué dans la recette.
- Trop de levure – Ajoutez la quantité de levure recommandée.
- Trop de liquide – Réduisez la quantité de liquide de 1-2 cuillers à café.

### Le pain ne se tranche pas bien, très collant

- Tranché quand il était trop chaud – Laissez le pain refroidir sur la grille au moins 15-20 minutes avant de la trancher pour que la vapeur s'évacue.
- Vous n'utilisez pas un couteau adapté. – Utilisez un bon couteau à pain ou un couteau électrique.

### Centre du pain cru, pas complètement cuit

- Trop de liquide – Réduisez la quantité de liquide de 1-2 cuillers à café.
- Coupure de courant pendant le fonctionnement – Si l'alimentation électrique est coupée pendant plus de 5 minutes, la machine à pain restera éteinte même si le courant est rétabli. Retirez le pain non cuit du moule à pain et recommencez avec des ingrédients frais
- Barre de pétrissage non placée dans le plat –vérifiez toujours que la barre de pétrissage est sur l'axe au bas du plat avant d'ajouter les ingrédients.

## EPAISSEUR DE LA CROÛTE et COULEUR

### Couleur de croûte noir/croûte trop épaisse

- Trop de sucre – Réduisez la quantité de sucre de moitié.

### Le pain est brûlé

- La machine à pain fonctionne anormalement – Voir la page de Garantie pour des informations sur les réparations.

### Croûte trop claire

- Pas suffisamment de sucre ou de matière grasse – Augmentez la quantité de sucre ou de matière grasse de la moitié de la quantité recommandée.

## PROBLÈMES AVEC LE MOULE À PAIN

### La barre de pétrissage ne peut pas être retirée

- Ajoutez de l'eau tiède au moule à pain et laissez tremper la barre à pétrir avant d'essayer de la retirer. Suivez les consignes de nettoyage. Il est possible que vous deviez tordre légèrement la barre après l'avoir fait tremper pour la dégager. Ne plongez pas le plat à pain dans l'eau.

## **Le pain colle au plat/est difficile à démouler**

- Peut se produire en cas d'utilisation prolongée – essayez l'intérieur du plat à pain, des extrémités vers le bas avec de l'huile végétale, de la graisse végétale solide, ou ajoutez 1 cuiller à café d'huile végétale au liquide dans le plat avant d'ajouter les ingrédients secs. N'utilisez pas de graisse végétale en aérosol car cela risque d'empirer le phénomène. Ou, laissez le pain reposer dans le plat pendant 10 minutes avant de le démouler. Vous pouvez commander un plat de rechange. Voir la section « Garantie ».

## **MECANIQUE DE LA MACHINE**

### **Ingrédients non mélangés**

- La machine n'a pas été mise en marche – Après avoir programmé le panneau de commande, appuyez sur le bouton « START/STOP » (marche/arrêt) pour mettre la machine en marche.
- Vous avez oublié de placer la barre de pétrissage dans le plat – Vérifiez toujours que la barre est sur l'axe au fond du plat avant d'ajouter les ingrédients.

### **Odeur de brûlé remarquée pendant le fonctionnement**

- Ingrédients renversés à l'intérieur du four – Veillez à ne pas renverser d'ingrédients lorsque vous les ajoutez dans le plat, car ceux-ci vont brûler sur l'unité de chauffage et produire de la fumée.
- Le plat fuit – Vous pouvez commander un plat de rechange. Voir la section « Garantie ».
- Dépassement de la capacité du plat à pain – N'utilisez pas plus d'ingrédients que recommandé dans la recette et mesurez toujours avec précision.

### **En cours d'utilisation, la machine est débranchée par erreur ou il y a une panne de courant pendant plus de 5 minutes. Comment faire pour ne pas perdre le pain?**

- Si la machine est en cours de cycle de pétrissage, reprogrammez les mêmes paramètres pour le pain et remettez la machine en marche.
- Si la machine est dans le cycle de levée ou de cuisson, préchauffez un four traditionnel à 177 °C (350 °F/177 °C). Retirez prudemment le plat de la machine et faites cuire le pain sur la grille au centre du four pendant 20-25 ou jusqu'à ce qu'il soit doré.

### **L'alarme sonne, l'écran affiche « H H H » et la machine ne peut pas être mise en marche.**

- La machine à pain est trop chaude pour préparer deux miches de pain à la suite – Débranchez le cordon d'alimentation de la prise secteur et laissez l'appareil refroidir avec le moule à pain retiré et le couvercle ouvert pendant 15-20 minutes. Branchez à nouveau le cordon dans la prise secteur, ajoutez le moule à pain et démarrez la machine.

### **L'alarme sonne, l'écran affiche « E E E » et la machine ne peut pas être mise en marche.**

La machine à pain ne fonctionne pas correctement – Voir la section Garantie pour des informations sur l'entretien.

## RECETTES

Vous pouvez utiliser des mélanges pour la préparation de pain pré-emballés dans votre machine à pain. Suivez simplement les instructions fournies pour ce mélange de pain spécifique. Sauf instructions contraires pour le mélange de pain, utilisez le réglage pour 1 ½ livres (.68kg) pour la taille de la miché de pain. Suivez les pratiques standards; les ingrédients liquides dans le moule à pain en premier, puis les ingrédients secs avec la levure, si nécessaire, en dernier.

Voici quelques recettes de pains pour vous aider à démarrer. Il existe de nombreux livres de cuisine contenant des recettes de pains, et un livre de recettes supplémentaires est disponible sur [www.focuslectrics.com](http://www.focuslectrics.com).

## SIMPLE

Pour la totalité des recettes suivantes, veuillez suivre ces conseils généraux. **Les pains suivants devraient être cuits sur le réglage 1, « Basic » (simple).**

Ajoutez les liquides dans le moule à pain en premier, puis les ingrédients secs. Mettez à niveau les ingrédients secs; coupez en quatre le beurre ou la margarine et ajoutez les morceaux dans les coins. Faites une impression au centre des ingrédients secs et ajoutez la levure. Fermez le couvercle, sélectionnez « Menu » (Menu), choisissez le paramétrage souhaité, sélectionnez « TEMP » (temp), puis sélectionnez « Loaf » (« Pain ») jusqu'à la taille indiquée dans la recette.

### Pain Blanc Traditionnel

Pain de 1.5 livres (.68kg)	INGREDIENTS	Pain de 2.0 livres (.91kg)
1¼ tasses + 2 cuillers à soupe	Lait 80° F	1½ tasses + 2 cuillers à soupe
2 cuillers à soupe	Beurre ou Margarine	2 cuillers à soupe
3 ⅓ tasses	Farine à pain	4 tasses
1½ cuillers à soupe	Sucre	2 cuillers à soupe
1¼ cuillers à café	Sel	1½ cuillers à café
2 cuillers à café	Levure sèche active	2¼ cuillers à café
-ou-	-ou-	-ou-
1½ cuillers à café	Levure à machine à pain/levée rapide	2 cuillers à café

### Pain à l'ail

Pain de 1.5 livres (.68kg)	INGREDIENTS	Pain de 2.0 livres (.91kg)
1 ¼ tasse	Eau, 80° F	1 ½ tasse
2 cuillers à soupe	Beurre ou Margarine	2 cuillers à soupe
3 ⅓ tasses	Farine à pain	4 tasses
2 cuillers à soupe	Lait condensé	2 cuillers à soupe
1 cuiller à soupe	Flocons de persil séché	1 ½ cuillers à soupe
1 cuillers à soupe	Sucre	1 ½ cuillers à soupe
1 ¼ cuillers à café	Sel	1 ½ cuillers à café
½ - 1 cuillers à café	Ail en poudre	1 - 1 ½ cuillers à café
2 cuillers à café	Levure sèche active	2 ¼ cuillers à café
-ou-	-ou-	-ou-
1½ cuillers à café	Levure pour machine à pain/levée rapide	2 cuillers à café

## Pain aux Noix

Pain de 1.0 livre (.45kg)	INGREDIENTS	Pain de 2.5 livres (1.1kg)
½ tasse + 1 cuiller à soupe 1	Eau 80° F Œuf	1½ tasses + 1 cuiller à soupe 1
2 cuillers à soupe	Beurre ou Margarine	5 cuillers à soupe
2 cuillers à soupe	Lait condensé	5 cuillers à soupe
1 cuiller à soupe	Miel	2 cuillers à soupe
1/5 tasse	Noix	¾ tasse
2 tasses	Farine à pain	4 ½ tasses
2 cuillers à soupe	Sucre	4 cuillers à soupe
¾ cuillers à café	Sel	1 ½ cuillers à café
1 cuiller à café	Levure sèche active	1 ½ cuillers à café

## Pain De Seigle Classique

Pain de 1.5 livres (.68kg)	INGREDIENTS	Pain de 2.0 livres (.91kg)
1¼ tasses + 1 cuiller à soupe	Eau, 80° F	1½ tasses
1 cuiller à soupe	Beurre ou Margarine	1 cuiller à soupe
2½ tasses	Farine à pain	3 tasses
1 tasse	Farine de seigle moyenne	1¼ tasses
2 cuillers à soupe	Lait condensé	2 cuillers à soupe
1½ cuillers à soupe	Sucre	1½ cuillers à soupe
1¼ cuillers à café	Sel	1½ cuiller à café
2 cuillers à café	Graines de Carvi, facultatif	2 cuillers à café
2 cuillers à café -ou-	Levure sèche active -ou-	2¼ cuillers à café -ou-
1½ cuillers à café	Levure à machine à pain/levée rapide	2 cuillers à café

## Pain au Sésame

Pain de 1.0 livre (.45kg)	INGREDIENTS	Pain de 2.5 livres (1.1kg)
½ tasse + 3 cuillers à soupe	Eau 80° F	1½ tasses + 3 cuillers à soupe
2 cuillers à soupe	Beurre ou Margarine	5 cuillers à soupe
2 cuillers à soupe	Lait condensé	5 cuillers à soupe
2 cuillers à soupe	Graines de sésame	4 cuillers à soupe
2 tasses	Farine à pain	4 ⅔ tasses
2 cuillers à soupe	Sucre	4 cuillers à soupe
¾ cuiller à café	Sel	1 ½ cuillers à café
1 cuiller à café	Levure sèche active	1 ½ cuillers à café



## PAINS A FAIBLE TENEUR EN FECULENTS ET PAINS SANS GLUTEN

Pour la totalité des recettes suivantes, suivez ces conseils généraux. **Tous les pains Sans gluten et à Faible teneur en féculents devraient être cuits avec le réglage 1 « Basic » (Elémentaire).** Pour les pains Sans gluten il faut d'abord mélanger les ingrédients liquides dans un saladier séparé pour garantir un mélange adéquat. Cassez les œufs dans une tasse de mesure d'une contenance égale à deux tasses et ajoutez la quantité recommandée d'eau avant d'ajouter et de mélanger les ingrédients liquides.

### Pain sans Gluten

Pain de 2.0 livres (.91kg)	INGREDIENTS
1 tasse + 2 cuillers à soupe	Eau, 80 ° F
3	Œufs*
4 cuillers à soupe	Beurre fondu ou Huile de canola
1 cuiller à café	Vinaigre de cidre
2 tasses	Farine de riz blanc
¾ tasses	Farine d'amidon de pomme de terre
¼ tasse	Farine de tapioca
⅓ tasse	Lait condensé écrémé
3 cuillers à soupe	Sucre
1 cuiller à soupe	Gomme de xanthane
1 ½ cuillers à café	Sel
1 cuiller à soupe	Levure sèche active

\* Ajoutez de l'eau dans la tasse de mesure, remplissez jusqu'à 1 ¾ tasses.

### Pain sans Gluten à la Farine de Riz Brun & Blanc

Pain de 2.0 livres (.91kg)	INGREDIENTS
1 tasse	Eau, 80 ° F
3	Œufs*
4 cuillers à soupe	Beurre fondu ou Huile de canola
1 cuiller à café	Vinaigre de cidre
1 tasse	Farine de riz blanc
1 tasse	Farine de riz brun
¾ tasses	Farine d'amidon de pomme de terre
¼ tasse	Farine de tapioca
⅓ tasse	Lait condensé écrémé
3 cuillers à soupe	Sucre brun
1 cuiller à soupe	Gomme de xanthane
1 ½ cuillers à café	Sel
1 cuiller à soupe	Levure sèche active

\* Ajoutez de l'eau dans la tasse de mesure, remplissez jusqu'à 1 ¾ tasses.

## Pain sans Gluten aux Graines de Pavot et au Citron

Pain de 2.0 livres (.91kg)	INGREDIENTS
1 tasse + 2 cuillers à soupe	Eau, 80° F
3	Œufs*
4 cuillers à soupe	Beurre fondu ou Huile de canola
2 cuillers à café	Extrait de citron (sans gluten)
2 tasses	Farine de riz blanc
¾ tasses	Farine d'amidon de pomme de terre
¼ tasse	Farine de tapioca
⅓ tasse	Lait condensé écrémé
3 cuillers à soupe	Sucre
1 cuiller à soupe	Gomme de xanthane
1 ½ cuiller à café	Sel
1 cuiller à soupe	Graines de pavot
1 cuiller à soupe	Levure sèche active

\* Ajoutez de l'eau dans la tasse de mesure, remplissez jusqu'à 1 ¾ tasses.

## Pain aux Graines de Tournesol et au Lin

Pain de 2.0 livres (.91kg)	INGRÉDIENTS
1 ⅓ tasses	Eau, à 26° C
2 cuillers à soupe	Beurre
3 cuillers à soupe	Miel
1 cuiller à café	Sel
1 ⅓ tasse	Farine à pain au blé complet
1 ½ tasses	Farine à pain
1 cuiller à café	Levure pour machine à pain/qui lève vite
½ tasse	Graines de lin, grossièrement moulues
½ tasse	Graines de tournesol, décortiquées

## Pain à Faible Teneur en Féculents Favori

Pain de 2.0 livres (.91kg)	INGREDIENTS
1 tasse	Eau, 80° F
2	Œufs
2 cuillers à soupe	Beurre ou margarine
¼ tasse	Substitut de sucre Splenda
⅓ tasse	Graines de lin moulues
½ tasse	Farine de soja
1 ½ tasses	Farine au gluten de blé Vital
2 cuillers à café	Levure sèche active

## Pain à Faible Teneur en Féculents

Pain de 1.5 livres (.68kg)	INGRÉDIENTS
¾ tasse	Eau, 80 ° F
1	Œuf
1 cuiller à soupe	Beurre ou margarine
1 cuiller à café	Sucre
½ tasse	Farine d'avoine
½ tasse	Farine de soja
1 tasse	Gluten de blé Vital
2 cuillers à café	Levure pour machine à pain/à levée rapide

### RAPIDE

Pour la totalité des recettes ci-dessous, suivez ces conseils généraux. **Les pains suivants devraient être cuits sur le réglage 2, « Quick » (Rapide).**

Ajoutez les liquides dans le moule à pain en premier, puis les ingrédients secs. Mettez à niveau les ingrédients secs; coupez en quatre le beurre ou la margarine et ajoutez les morceaux dans les coins. Faites une impression au centre des ingrédients secs et ajoutez la levure. Fermez le couvercle, sélectionnez « Menu » (Menu), choisissez le paramétrage souhaité, sélectionnez « TEMP » (temp), puis sélectionnez « Loaf » (« Pain ») jusqu'à la taille indiquée dans la recette.

### Pain au Maïs

Pain de 1.0 livre (.45kg)	INGREDIENTS	Pain de 2.5 livres (1.1kg)
½ tasse + 1 cuiller à soupe	Lait 80 ° F	1tasse + 7 cuillers à café
1	Œuf	1
2 cuillers à soupe	Beurre ou margarine	3 cuillers à soupe
1 cuiller à café	Sel	1 cuiller à café
1 cuiller à soupe	Sucre	2 cuillers à soupe
1 tasse	Farine à pain	2 tasses
1 tasse	Semoule de maïs	2 tasses
3 cuillers à café	Levure chimique	4 cuillers à café

### Pain Aux Noix

Pain de 1.5 livres (.68kg)	INGREDIENTS
4 cuillers à soupe	Huile végétale
¾ tasse	lait 80 ° F
2	Œufs, gros
2½ tasses	Farine Multi-Usages
1 tasse	Sucre
2½ cuillers à café	Levure Chimique
½ cuiller à café	Bicarbonate de Soude
1 cuiller à café	Sel
½ tasse	Noix Tranchées

## VARIANTES DE SAVEURS POUR LE PAIN AUX NOIX

**Noix et bananes:** Remplacez l'huile végétale par ½ tasse de beurre ramolli ou de margarine, découpé en petits morceaux pour un mélange parfait; réduisez le lait à 2 cuillères à soupe; ajoutez 1½ tasses de banane mure écrasée (environ 2 moyennes).

**Cerises et pécan:** Réduisez le lait à ½ tasse; utilisez des noix de pécan tranchées à la place des noix tranchées; ajoutez ½ tasse de cerises maraschino tranchées, bien égouttées.

**Airelles et noix:** Réduisez le lait à ½ tasse et ajoutez 1 tasse d'airelles grossièrement tranchées.

**Dattes:** Ne mettez pas de noix tranchées et ajoutez ¾ tasse de dattes tranchées et ½ cuiller à café de noix de muscade moulue.

## BAGUETTE

Pour la totalité des recettes suivantes, veuillez suivre ces conseils généraux. **Les pains suivants devraient être cuits sur le réglage 3, « French » (Baguette).**

Ajoutez les liquides dans le moule à pain en premier, puis les ingrédients secs. Mettez à niveau les ingrédients secs; coupez en quatre le beurre ou la margarine et ajoutez les morceaux dans les coins. Faites une impression au centre des ingrédients secs et ajoutez la levure. Fermez le couvercle, sélectionnez « Menu » (Menu), choisissez le paramétrage souhaité, sélectionnez « TEMP » (temp), puis sélectionnez « Loaf » (« Pain ») jusqu'à la taille indiquée dans la recette.

Pain de 1.5 livres (.68kg)	Baguette INGREDIENTS	Pain de 2.0 livres (.91kg)
1¼ tasses + 1 cuiller à soupe	Eau, 80° F	1½ tasses + 1 cuiller à soupe
1 cuiller à soupe.	Beurre ou Margarine	1½ cuillères à soupe.
3 ½ tasses	Farine à Pain	4¼ tasses
1½ cuillères à café	Sucre	2 cuillères à café
1¼ cuillères à café	Sel	1½ cuillères à café
2 cuillères à café	Levure sèche active	2¼ cuillères à café
-ou-	-or-	-ou-
1½ cuillères à café	Levure à machine à pain/levée rapide	2 cuillères à café

## SUPER RAPIDE

Pour la totalité des recettes ci-dessous, suivez ces conseils généraux. **Les pains ci-dessous devraient être cuits sur le réglage 4, « Super rapide ».** De nombreuses recettes peuvent être converties pour le cycle Super rapide. Utilisez votre recette préférée et ajoutez un additionnel 1 cuiller à café de levure pour les recettes utilisant de la levure.

**Il faut NE PAS utiliser aucune recette de « Quick » (Rapide) avec cette configuration.**

### Pain Simple Super Rapide

Pain de 1.0 livre (.45kg)	INGREDIENTS	Pain de 2.5 livres (1.1kg)
½ tasse + 1 cuiller à soupe	Eau 80° F	1 tasse + 4 cuillères à soupe
1	Œuf	1
1 cuiller à soupe	Beurre ou margarine	3 cuillères à soupe
1 cuiller à soupe	Lait écrémé	3 cuillères à soupe
2 tasses	Farine à pain	4 ⅔ tasses
2 cuillères à soupe	Sucre	4 cuillères à soupe
1 cuiller à café	Sel	1 ½ cuillères à café
2 cuillères à café	Levure sèche active	3 ½ cuillères à café

## PAIN COMPLET

Si le pain s'affaisse pendant la durée de la cuisson, ajoutez 1 ou 1½ cuillers à soupe de gluten de blé vital à la recette pour les tailles de pains respectives afin d'empêcher le pain de s'affaisser à nouveau. Le gluten de blé Vital est vendu dans la plupart des boutiques d'alimentation diététique.

### Pain Complet à 100%

<b>Pain de 1.5 livres (.68kg)</b>	<b>INGREDIENTS</b>	<b>Pain de 2.0 livres (.91kg)</b>
1 tasse + 2 cuillers à soupe	Eau, 80° F	1¼ tasses + 3 cuillers à soupe
1	Œuf, gros	1
1 cuiller à soupe	Mélasses	1½ cuillers à soupe
1 cuiller à soupe	Miel	1½ cuillers à soupe
2 cuillers à soupe	Beurre ou Margarine	2 cuillers à soupe
3 ½ tasses	Farine de blé complet	4¼ tasses
2 cuillers à soupe	Lait condensé	2 cuillers à soupe
1¼ cuillers à café	Sel	1½ cuillers à café
2 cuillers à café	Levure sèche active	2¼ cuillers à café
-ou-	-ou-	-ou-
1½ cuillers à café	Levure à machine à pain/levée rapide	2 cuillers à café

### Pain au Blé et au Yaourt

<b>Pain de 1.5 livres (.68kg)</b>	<b>INGREDIENTS</b>	<b>Pain de 2.0 livres (.91kg)</b>
1 tasse	Eau, 80° F	1 tasse + 2 cuillers à soupe
½ tasse	Yaourt ordinaire sans matière grasse	⅔ tasse
2 cuillers à soupe	Beurre ou margarine	2 cuillers à soupe
1 1/3 tasses	Farine à pain	1 ½ tasses
2 tasses	Farine de blé complet	2 ¾ tasses
2 cuillers à soupe	Lait condensé	2 cuillers à soupe
2 cuillers à soupe	Sucre brun, emballé	2 cuillers à soupe
1 ¼ cuillers à café.	Sel	1 ½ cuillers à café
2 cuillers à café	Levure sèche active	2 ¼ cuillers à café
- ou -	- ou -	- ou -
1 ½ cuillers à café	Levure pour machine à pain/à levée rapide	2 cuillers à café

## PAINS DOUX

Pour la totalité des recettes ci-dessous, suivez ces conseils généraux. **Les pains ci-dessous devraient être cuits sur le réglage 6, « Sweet ».**

Ajoutez les liquides dans le moule à pain en premier, puis les ingrédients secs. Mettez à niveau les ingrédients secs; coupez en quatre le beurre ou la margarine et ajoutez les morceaux dans les coins. Faites une impression au centre des ingrédients secs et ajoutez la levure. Fermez le couvercle, sélectionnez « Menu » (Menu), choisissez le paramétrage souhaité, sélectionnez « TEMP » (temp), puis sélectionnez « Loaf » (« Pain ») jusqu'à la taille indiquée dans la recette.

### Pain à la Noix de Coco

Pain de 1.0 livre (.45kg)	INGREDIENTS	Pain de 2.5 livres (1.1kg)
½ tasse + 2 cuillers à soupe	Eau 80° F	1½ tasses + 2 cuillers à soupe
1	Œuf	1
2 cuillers à soupe	Beurre ou margarine	4 cuillers à soupe
¼ tasse	Lait condensé	½ tasse
1 cuillers à soupe	Miel	2 cuillers à soupe
¼ tasse	Noix de coco*	½ tasse
2 tasses	Farine à pain	4 ⅓ tasses
¼ tasse	Sucre	½ tasse
1 cuiller à café	Sel	1 ½ cuillers à café
1 ½ cuillers à café	Levure sèche active	1 ½ cuillers à café

\* Ajoutez la moitié de la noix de coco pendant le second cycle de pétrissage, puis ajoutez le reste avant le cycle de cuisson.

### Pain aux Raisins

Pain de 1.0 livre (.45kg)	INGREDIENTS	Pain de 2.5 livres (1.1kg)
1¼ tasse + 1 cuiller à soupe	Eau, 80° F	1½ tasses + 1 cuiller à soupe
2 cuillers à soupe	Beurre ou margarine	4 cuillers à soupe
2 tasses	Farine à pain	4 tasses
¼ tasse	Lait condensé	½ tasse
3 cuillers à soupe	Sucre	⅓ tasse
¾ cuiller à café	Sel	1½ cuillers à café
1	Œuf	1
1 cuiller à café	Levure sèche active	1 ½ cuillers à café
1 cuiller à soupe	Miel	2 cuillers à soupe
¼ tasse	Raisins	½ tasse
¼ tasse	Noisettes en poudre (facultatif)	⅓ tasse

## PÂTE

Pour la totalité des recettes suivantes, veuillez suivre ces conseils généraux. **Les pains suivants devraient être cuits sur le réglage 7, « Dough » (pâte).**

Ajoutez les liquides dans le moule à pain en premier, puis les ingrédients secs. Mettez à niveau les ingrédients secs; coupez en quatre le beurre ou la margarine et ajoutez les morceaux dans les coins. Faites une impression au centre des ingrédients secs et ajoutez la levure. Fermez le couvercle, sélectionnez « Menu » (Menu), choisissez le paramétrage souhaité, sélectionnez « TEMP » (temp), puis sélectionnez « Loaf » (« Pain ») jusqu'à la taille indiquée dans la recette.

### Bagel Simple

Pain de 1.5 livres (.68kg)	INGREDIENTS
1 tasse	Eau, 80° F
3 tasses	Farine à pain
2 cuillers à soupe	Sucre
1½ cuillers à café	Sel
1½ cuillers à soupe, coupé en 6 morceaux	Beurre ou margarine
2 cuillers à café	Levure sèche active
- ou -	- ou -
1½ cuillers à café	Levure pour machine à pain/à levée rapide
3 quarts	Eau
1 cuiller à soupe	Sucre
	Graines de pavot ou de sésame, pour la garniture

Une fois que la pâte est prête et que la machine à pain est hors tension, retirez la pâte de la machine à pain et placez-la dans un saladier légèrement graissé. Couvrez le saladier et placez-le au réfrigérateur pendant 20 minutes.

Une fois que la pâte a refroidi, retirez-la du saladier et placez-la sur une surface légèrement farinée. Roulez la pâte de façon à former un rectangle d'une épaisseur de ½ pouce (1,25 cm). Divisez la pâte en huit parts égales, roulez chaque part en boule et faites un trou au milieu avec votre doigt. Élargissez le trou jusqu'à ce qu'il atteigne un diamètre d'environ 1-2 pouces (2.5-5 cm). Placez les bagels formés sur une plaque à cookies graissée en les espaçant d'environ 2 pouces (5 cm). Brossez légèrement avec de l'eau froide, couvrez et laissez reposer dans une pièce chaude et laissez la pâte lever jusqu'à ce qu'elle ait doublé de volume.

Portez 3 quarts d'eau à ébullition dans un faitout de 5 quarts. Ajoutez le sucre et mélangez pour le dissoudre. Réduisez la chaleur sur une chaleur faible et ajoutez prudemment 2-3 bagels dans l'eau chaude. Laissez mijoter pendant 3-4 minutes de chaque côté. Retirez à l'aide d'une cuiller à égoutter, égouttez puis placez sur la feuille de cuisson graissée à une distance d'environ un pouce (2.5 cm) les uns des autres. Saupoudrez de garniture, si vous le souhaitez, et faites cuire les bagels dans un four préchauffé à 450°F (232°C) pendant 12-15 minutes ou jusqu'à ce que la croûte soit dorée. Laissez refroidir un peu avant de servir.

## Petits Pains Simples

Pain de 1.5 livres (.68kg)	INGREDIENTS
¾ tasse + 1 cuiller à soupe	Eau, 80° F
3 cuillers à soupe	Beurre ou margarine
3 tasses	Farine à pain
3½ cuillers à soupe	Sucre
2 cuillers à soupe	Lait condensé
1 cuiller à café	Sel
2 cuillers à café	Levure sèche active
- ou -	- ou -
1½ cuillers à café	Levure pour machine à pain/à levée rapide
	Beurre fondu ou blanc d'œuf légèrement battu

Une fois que le cycle de préparation de la pâte est terminé, retirez le moule à pain de la machine puis retirez la pâte. Placez la pâte sur une surface légèrement farinée pendant 15 minutes. Donnez à la pâte la forme de baguette souhaitée, placez-la sur une feuille de cuisson graissée, couvrez et laissez reposer dans un lieu chaud pendant 45 minutes pour qu'elle lève. Une fois que la pâte a doublé de volume, brossez légèrement les parties supérieures avec du beurre ou du blanc d'œuf et faites cuire dans un four à 350° F pendant 15-20 minutes, ou jusqu'à ce que la croûte soit dorée. Servez chaud.

## CONFITURE DE FRAISE DE BOULANGER

Pour la totalité des recettes suivantes, veuillez suivre ces conseils généraux. **Les pains suivants devraient être cuits sur le réglage 9, « JAM » (confiture).**

	INGREDIENTS
2 tasses	Sucre en Poudre
2 Cuiller à Soupe	Pectine de fruit à faible teneur en sucre
3 tasses	Fraises Fraîches, lavées, tranchées et décortiquées

## SANDWICH

Pour la recette suivante, suivez ces conseils généraux. **La recette suivante devrait être réalisée avec une cuisson sur le réglage 10, « Sandwich » (sandwich).**

### Pain blanc pour Sandwich

Pain de 1.0 livre (.45kg)	INGREDIENTS	Pain de 2.5 livres (1.1kg)
½ tasse + 3 cuillers à soupe	Eau 80° F	1½ tasses + 3 cuillers à soupe
1 cuiller à soupe	Beurre ou margarine	3 cuillers à soupe
1 cuiller à soupe	Lait condensé	3 cuillers à soupe
2 tasses	Farine à pain	4 ⅔ tasses
1 cuiller à soupe	Sucre	2 ½ cuillers à soupe
1 cuiller à café	Sel	2 cuillers à café
1 cuiller à café	Levure sèche active	1 cuiller à café



## GARANTIE DU PRODUIT

### Garantie limitée d'1 an de l'appareil

Focus Electrics, LLC garantit cet appareil contre tout défaut de pièce et de main d'œuvre pendant un (1) an à compter de la date d'achat d'origine avec un justificatif d'achat à condition que l'appareil soit utilisé et entretenu conformément avec le Mode d'emploi de Focus Electrics. Toute pièce défectueuse de l'appareil sera réparée ou remplacée sans frais à la discrétion de Focus Electrics. Cette garantie s'applique en cas d'utilisation domestique en intérieur uniquement.

La présente garantie ne couvre aucun dommage, notamment la décoloration, de toute surface antiadhésive de l'appareil. Cette garantie est nulle et non avenue, tel que déterminé uniquement par Focus Electrics si l'appareil est détérioré à la suite d'un accident, d'une mauvaise utilisation, d'une utilisation abusive, d'une négligence, d'une rayure ou si l'appareil est modifié de toute manière.

LA PRÉSENTE GARANTIE ANNULE ET REMPLACE TOUTE GARANTIE INDIUITE, NOTAMMENT LES GARANTIES DE COMMERCIALISATION, D'ADAPTATION À UN USAGE PARTICULIER, DE PERFORMANCE, OU AUTRE QUI SONT ICI EXCLUES. EN AUCUN CAS FOCUS ELECTRICS. NE POURRA ÊTRE TENUE POUR RESPONSABLE DE TOUT DOMMAGE, QUE CELUI-CI SOIT DIRECT, INDIRECT, INDUIT, PRÉVISIBLE, SECONDAIRE OU PARTICULIER, RÉSULTANT DE L'UTILISATION DE OU EN RELATION AVEC CET APPAREIL.

Si vous pensez que cet appareil est défectueux ou nécessite des réparations pendant la durée de sa garantie, veuillez contacter le Service clientèle de Focus Electrics au (866) 290-1851 ou nous envoyer un e-mail à [service@focuselectrics.com](mailto:service@focuselectrics.com). Une facture justifiant la date d'achat d'origine sera nécessaire pour toute demande dans le cadre de la garantie, les factures manuscrites ne sont pas acceptées. Il est possible que l'on vous demande de renvoyer l'appareil pour inspection et évaluation. Les frais de transport de retour ne sont pas remboursables. Focus Electrics n'est pas responsable pour les retours perdus pendant le transport.

**Valide uniquement aux USA et au Canada**

## PIECES DE RECHANGE

Les pièces de rechange, si elles sont disponibles, peuvent être commandées directement chez Focus Electrics, LLC de plusieurs façons. Commandez en ligne à [www.focuselectrics.com](http://www.focuselectrics.com), par courrier à [service@focuselectrics.com](mailto:service@focuselectrics.com), par téléphone au (866)290-1851, ou en écrivant à :

Focus Electrics, LLC  
Attn: Customer Service  
P. O. Box 2780  
West Bend, WI 53095

Pour les commandes payées par chèque ou mandat, veuillez d'abord prendre contact avec le service à la clientèle pour obtenir le montant total de la commande. Envoyez votre paiement avec une lettre indiquant le modèle ou le numéro de catalogue de votre appareil (ce numéro est situé au-dessous ou au dos de l'appareil) et fournissez une description de la pièce ou des pièces ainsi que la quantité que vous souhaitez commander. Les chèques sont à écrire à l'ordre de Focus Electrics, LLC. Les taxes sur les ventes de votre état ou province et des frais d'expédition seront ajoutés à votre prix total. Il faut compter environ deux semaines pour le traitement et la livraison.

Ce manuel contient des informations importantes et utiles concernant l'utilisation et l'entretien sans danger de votre nouveau produit Focus Electrics. Pour une consultation ultérieure, fixez le ticket de caisse daté pour avoir un justificatif d'achat pour la garantie et indiquez les informations ci-dessous:

Date d'achat ou de réception en cadeau: \_\_\_\_\_

Lieu d'achat et prix, si connu: \_\_\_\_\_

Numéro de l'article et Code de date (indiqué au bas/dos du produit): \_\_\_\_\_

# West Bend®

## MÁQUINA DE HACER PAN HI-RISE™

Manual de instrucciones



Registre éste y otros productos de Focus Electrics en nuestro sitio:  
**[www.registerfocus.com](http://www.registerfocus.com) en Internet**

Precauciones Importantes.....	2
Antes de Usar por Primera Vez.....	4
Conozca sus Ingredientes.....	6
Pasos Básicos para la Preparación de Pan.....	9
La Limpieza de su Máquina de Hacer Pan.....	11
Resolución de Problemas.....	12
Recetas.....	15
Garantía.....	25

**CONSERVE ESTAS INSTRUCCIONES COMO REFERENCIA PARA EL FUTURO**

# PRECAUCIONES IMPORTANTES



## PRECAUCIÓN

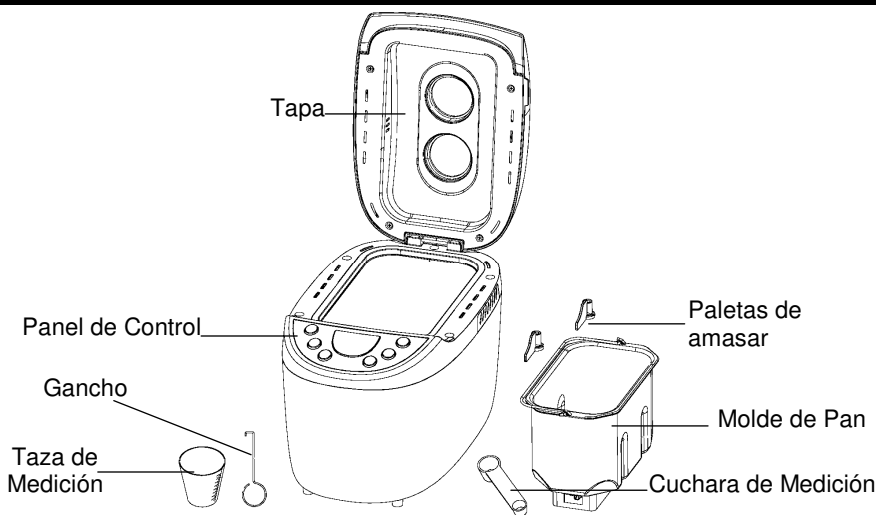
**Para evitar lesiones personales o daños materiales, lea y acate todas las instrucciones y advertencias.**

Al utilizarse artefactos electrodomésticos, siempre deben acatarse las precauciones básicas de seguridad incluyendo las siguientes:

- Lea todas las instrucciones, incluso estas precauciones importantes, así como las instrucciones de uso y cuidado en este manual.
- No toque las superficies calientes. Utilice la asa o las perillas. Siempre use almohadillas calientes o guantes de cocina al manipular el pan y el molde de pan calientes.
- Para protegerse contra descargas eléctricas no sumerja el cable, enchufes, u otras partes eléctricas en agua u otros líquidos.
- Se requiere de supervisión adulta cuando cualquier artefacto electrodoméstico sea usado por o cerca de niños.
- Desenchufe el aparato del tomacorriente cuando no esté en uso y antes de limpiarlo. Deje que se enfríe antes de poner o quitar alguna parte, y antes de limpiar.
- No haga funcionar este artefacto electrodoméstico con el cordón eléctrico o el enchufe dañado, después que el artefacto llegase a funcionar mal, o si el artefacto se ha dejado caer o se ha dañado de alguna manera. Si usted experimenta algún problema con su máquina, desenchúfela inmediatamente del tomacorriente. Para información relativa al servicio de reparaciones vea la página de garantías.
- El uso de accesorios no recomendados por Focus Electrics puede causar incendios, descargas eléctricas o lesiones personales.
- No use este aparato a la intemperie.
- No permita que el cordón eléctrico cuelgue del borde de un mostrador, mesa u otra superficie, o que toque superficies calientes.
- No la coloque en o cerca de un quemador caliente de gas o eléctrico o en un horno caliente.
- Debe tenerse extremo cuidado al mover un artefacto mientras esté funcionando.
- Para desconectar, coloque cualquier control en la posición "OFF" (apagado), y luego desenchufe del tomacorriente.
- No utilice el aparato para usos distintos del indicado.
- Evite contacto con piezas en movimiento.
- No permita que el cordón haga contacto con la superficie caliente de la estufa.
- Este artefacto tiene un enchufe polarizado (una clavija es más ancha que la otra). Para reducir el riesgo de descarga eléctrica, este enchufe está diseñado para encajar de una sola manera en un tomacorriente polarizado. Invierta el enchufe si éste no encaja completamente en el tomacorriente o en el cable de extensión. Si todavía no encaja, póngase en contacto con un electricista calificado. No trate de modificar el enchufe de manera alguna.

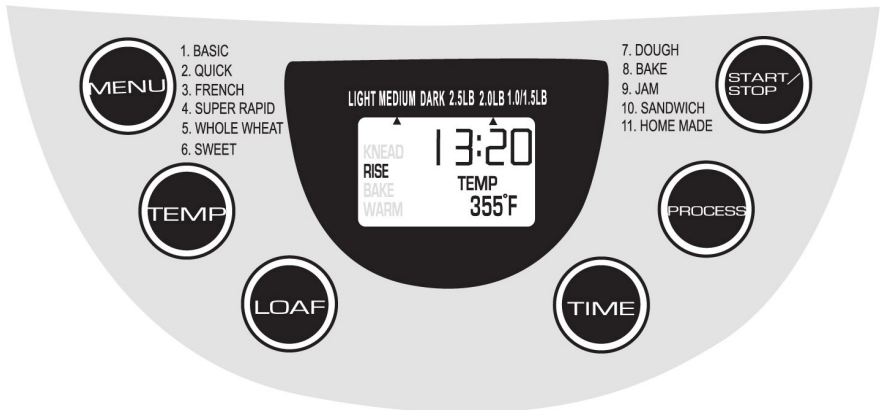
- Coloque la Máquina de Hacer Pan sobre una almohadilla térmica, trébedes u otra superficie protectora contra el calor. Cuando la Máquina de Hacer Pan esté caliente, no la coloque directamente sobre la encimera, mesa o cualquier otra superficie.
- No ponga la mano dentro de la cámara del horno después de haber retirado el molde de pan. La unidad calefactora todavía estará caliente.
- No use su Máquina de Hacer Pan con un convertidor o transformador. Éste destruirá los controles electrónicos.
- No trate de reparar este artefacto electrodoméstico usted mismo.
- Se suministra un cordón eléctrico corto para reducir los riesgos que resultan de enredarse o tropezarse con un cordón eléctrico más largo.
- Hay disponibles cordones de alimentación eléctrica desmontables más largos o extensiones eléctricas y pueden ser utilizados si se ejerce cuidado al usarlos. Mientras el uso de una extensión eléctrica no es recomendado, si usted debe usar una, la capacidad eléctrica nominal marcada en el cordón desmontable de alimentación eléctrica o la extensión eléctrica deberá ser al menos la misma que la capacidad eléctrica nominal del artefacto electrodoméstico. Si el artefacto electrodoméstico es del tipo conectado a tierra, la extensión eléctrica deberá ser un cordón eléctrico de 3 hilos con conexión a tierra. El cordón eléctrico debería ser extendido de tal manera que no pase sobre encimeras o mesas donde pueda ser tirado por niños o tropezarse con el mismo.
- **Para uso doméstico solamente.**

## CONSERVE ESTAS INSTRUCCIONES



### ANTES DE USAR POR PRIMERA VEZ

Conozca a su Máquina de Hacer Pan. El panel de controles en su Máquina de Hacer Pan fue diseñado para que sea muy fácil de usar. Por favor examine las siguientes características del panel de controles para entenderlo mejor.



## PANEL DE CONTROL Y LAS FUNCIONES

**Pantalla LCD:** La pantalla indica cuando el artefacto está listo para usarse. Cuando el artefacto se enchufa por primera vez, sonará un bip audible y se mostrará el programa predeterminado. "1 3:20" aparece en la pantalla. "El 1" especifica qué programa está seleccionado (1-11 programas) y el "3:20" indica la duración del programa en horas: minutos. La posición de la marca en la parte superior de la pantalla indica el peso seleccionado de la barra de pan (2.5, 2.0 o 1/1.5 Libras (.68kg)) con 2.5 Libras (1.1kg) como el valor preestablecido. La posición de la marca en la parte inferior de la pantalla indica el grado de tostado seleccionado "LIGHT" (claro), "MEDIUM" (medio), o "DARK" (oscuro) con 'medio' como valor preestablecido. A medida que avanza el programa, los dígitos del tiempo mostrados disminuirán progresivamente indicando el tiempo remanente. Durante la operación el estado del programa es indicado en la pantalla con una marca en la modalidad del programa activo; "TIME" (tiempo), "Preheating" (precalentamiento), "Kneading" (amasado), "Pause" (pausa), "Rising" (crecimiento de la masa), "Baking" (horneado), "Keep Warm" (mantener caliente), y "End" (fin del programa).

**Botón "START/STOP" (iniciar/parar):** El botón "START/STOP" (iniciar/parar) se utiliza para iniciar o cancelar un programa. Se escucha una breve alerta cada vez que se pulsa el botón "START/STOP" (iniciar/parar). Pulse este botón cuando la máquina de hacer pan esté parada para iniciar el programa. Cuando la máquina de hacer pan esté activa, presione y mantenga este botón oprimido para cancelar el programa. Si cancela el programa, la máquina de hacer pan regresará a su ajuste predeterminado para la selección de menú escogida. Todos los ajustes a la medida se perderán si el programa es cancelado. Usted debe ajustar todos los ajustes que desee en el programa antes de iniciar el mismo. El programa no puede cambiarse una vez se haya iniciado el ciclo, a menos de que cancele el ciclo.

**Botón "TIME" (tiempo):** El "TIME" botón (tiempo) es usado para fijar un tiempo retrasado de finalización del programa. Sólo los siguientes programas pueden ser usados con el temporizador de retraso: (1) "BASIC" (básico), (3) "FRENCH" (francés), (5) "WHOLE WHEAT" (trigo integral), (6) "SWEET" (dulce) y (7) "DOUGH" (masa). Los programas (4) "SUPER RAPID" (súper rápido), (2) "QUICK" (rápido), (9) "JAM" (mermelada) y (8) "BAKE" (hornear) no pueden ser iniciados con el temporizador de tardanza. Las horas y minutos de retraso serán añadidos a los tiempos preprogramados para el programa específico. El tiempo indicado en la pantalla es el tiempo hasta el final del ciclo.

**INICIO RETRASADO:** El retraso máximo es de 12 horas y 58 minutos por programa.

Ejemplo: son las 8:30 p.m. y le gustaría tener el pan listo para la mañana siguiente a las 7:00 a.m. Determine la diferencia de tiempo: las 7:00 a.m. está 10 horas y 30 minutos por delante de las 8:30 p.m. Pulse el "TIME" (tiempo) hasta que 10:30 aparece en la pantalla.

¡**NUNCA** use la función de retraso usando ingredientes perecederos como la leche, huevos, fruta, yogur, etc.!

**Botón "TEMP" (temperatura):** La función "TEMP" cicla para seleccionar cuán oscura se desea la corteza del pan: "LIGHT" (claro) (320 °F/160 °C), "MEDIUM" (medio) (355 °F/179 °C), y "DARK" (oscuro) (390 °F/199 °C). La temperatura predeterminada es "MEDIUM" (medio); el LCD mostrará el valor de temperatura correspondiente y sólo aplica a los siguientes programas: SUPER RAPID (súper rápido), WHOLE WHEAT (trigo integral), SWEET (dulce), BAKE (hornear) y SANDWICH (sándwich). Las temperaturas para "SUPER RAPID" (super rápido) cambian a "LIGHT" (claro) (375 °F/191 °C) "MEDIUM" (medio) (390 °F/199 °C) "DARK" (oscuro) (410 °F/210 °C) y las temperaturas para "QUICK" (rápido) cambian a "LIGHT" (claro) (330 °F/166 °C) "MEDIUM" (medio) (345 °F/174 °C) "DARK" (oscuro) (365 °F/185 °C).

**Botón "LOAF" (barra de pan):** El botón "LOAF" (barra de pan) ajusta los varios programas al tamaño de barra de pan seleccionado; 2.5 Libras (1.1kg), 2.0 Libras (.91kg) o 1.0/ 1.5 Libras (.68kg). Este botón sólo aplica para los siguientes programas: "BASIC" (básico), "FRENCH" (francés), "SUPER RAPID" (súper rápido), "WHOLE WHEAT" (trigo integral), "SWEET" (dulce) y "SANDWICH" (sándwich).

**Botón "MENU" (menú):** Use el botón de menú para seleccionar el programa deseado. En general, use los programas sugeridos a continuación para las especialidades siguientes.

### **SELECCIONES DE MENÚ**

**Menú 1: "BASIC" (básico)** para panes blancos, de centeno, de papa, de huevo, de ajo y similares. El ajuste "BASIC" (básico) puede ser usado para casi cualquier receta de pan que contenga principalmente harina de pan.

**Menú 2: "QUICK" (rápido)** para panes rápidos que no usan levadura y requieren sólo mezclar y hornear.

**Menú 3: "FRENCH" (francés)** para la preparación de panes blancos e italianos particularmente claros.

**Menú 4: "SUPER RAPID" (súper rápido)** para preparar barras de pan de 2.0 lbs. en menos de 2 horas.

**Menú 5: "WHOLEWHEAT"** (trigo integral) para los panes que contienen 50 % o más de trigo integral, trigo rajado, trigo de suero y similares.

**Menú 6: "SWEET"** (dulce) para preparar panes con pasas, canela, albaricoques e ingredientes similares.

**Menú 7: "DOUGH"** (masa) para la preparación de masa (sin hornear).

**Menú 8: "BAKE"** (hornear) para simplemente hornear y/o dorar panes o pasteles.

**Menú 9: "JAM"** (mermelada) para cocinar mermeladas.

**Menú 10: "SÁNDWICH"** (sándwich) para hornear pan de ligera textura con una corteza más delgada, lo cual es perfecto para los sándwiches en casa.

**Menú 11: "HOME MADE"** (hecho en casa) Este programa es para el panadero que está bien familiarizado con el horneado en una Máquina de Hacer Pan. Este programa permite una personalización completa de la preparación del pan. El tiempo de cada ciclo, el amasado, el crecimiento de la masa, el horneado y el mantenimiento en caliente pueden ser personalizados. Los rangos de tiempo configurables de cada programa son los siguientes:

KNEAD1 (Amasado 1)	3-14min
RISE1 (Crecimiento de la Masa 1)	20-60 min
KNEAD2 (Amasado 2)	8-24 min
RISE2 (Crecimiento de la Masa 2)	1-60 min
RISE3 (Crecimiento de la Masa 3)	20-120 min
BAKE (Hornear)	0-80 min
WARM (Mantener Caliente)	0-120 min

Para utilizar la función "Home Made" (hecho en casa), sírvase ver la sección "**Instrucciones Especiales para el Ajuste "Home Made"** (hecho en casa)."

## **ALARMAS, SONIDOS, Y OTRASFUNCIONES GENERALES**

**Alarmas:** El avisador suena:

- Al pulsar cualquier botón que permita la selección de funciones. Si el botón no emite una señal sonora, dicha opción de función no está disponible.
- Durante el segundo ciclo de amasado de los programas "BASIC" (básico), "WHOLEWHEAT" (trigo integral), "SWEET" (dulce) y "BROWN BREAD" (pan negro) para señalar que los cereales, frutas, nueces u otros ingredientes pueden ser añadidos.
- Al llegar al final del programa.
- Durante la fase de advertencia al final del procedimiento de horneado, el avisador suena varias veces.

**Interrupción del Suministro Eléctrico:** Si hay una breve interrupción de la energía eléctrica de menos de cinco minutos, la posición en el programa es almacenada en la memoria y la máquina continuará cuando la energía eléctrica sea restaurada.

**Error de exceso de temperatura:** Si la pantalla muestra "H H H" una vez el programa ha comenzado, ello significa que la temperatura dentro del molde de pan está demasiado alta. Deberá inmediatamente parar el programa y desenchufar el cordón eléctrico. Abra la tapa y deje que la máquina se enfríe completamente antes de usarla de nuevo.

- Al calentar la plancha podrá emitirse una pequeña cantidad de humo y/o un leve olor a causa de la emanación de los aceites usados en la fabricación de ésta - esto es normal.
- Durante el calentamiento y enfriamiento pudieran ocurrir algunos ruidos menores de expansión y contracción - esto es normal.

## CONOZCA LOS INGREDIENTES Y MÍDALOS CON EXACTITUD

Aunque la preparación de pan parezca sumamente básica, esto es una ciencia y las proporciones de los ingredientes son críticas. El paso más importante al utilizar la Máquina de Hacer Pan es el medir los ingredientes exacta y precisamente. Lea la información siguiente para entender mejor la importancia que cada ingrediente juega en el proceso de preparación del pan. Siempre asegúrese de que los ingredientes sean frescos.



Siempre mida los ingredientes líquidos en tazas de medición transparentes con marcas graduadas. Coloque la taza sobre una superficie plana y mida a "nivel de ojo", no a un ángulo. Todas las medidas deben ser exactas.

Siempre use líquidos a una temperatura entre 27-32°C (80-90°F) para asegurar la actividad óptima de la levadura.



Siempre trasiegue los ingredientes secos a tazas de medición o cucharas marcadas, y luego nivele con un cuchillo de mesa. Todos los ingredientes medidos en las cucharas y tazas de medición deben quedar a ras del nivel de las mismas, nunca abultadas o colmadas.



Nunca meta las tazas de medición dentro de los ingredientes secos. Este comprimirá los ingredientes en la taza y hará que la masa quede seca, lo cual resultará en una barra de pan corta.

Deberá usarse **HARINA DE PAN** en su máquina de hacer pan. Esta contiene más proteínas formadoras de gluten que la harina de uso múltiple y proveerá panes bien formados con una buena estructura. Hay disponibles varias marcas diferentes de harina de pan. **En la máquina de hacer pan, no utilice harina con levadura o harina para pasteles.**

**LA HARINA INTEGRAL** puede ser usada en combinación con la harina de pan con el ajuste "WHOLEWHEAT" (trigo integral). La harina de trigo integral contiene grano de trigo integral, incluso el salvado y el germen; por lo tanto, los panes hechos con el 100 por ciento o un alto porcentaje de harina de trigo integral serán más chicos en altura y más pesados en textura que los panes hechos con harina de pan. El ajuste de trigo integral "WHOLEWHEAT" en su máquina de hacer pan está programado para desarrollar mejor la estructura de los panes de trigo integral y obtener resultados óptimos.

**LA HARINA DE CENTENO** puede ser usada en combinación con la harina de pan para preparar pan de centeno. Sin embargo, no puede ser usado solo cuando ya que no contiene suficiente proteína para desarrollar el gluten adecuado para la estructura.

**EL AZÚCAR Y OTROS DULCIFICANTES** proporcionan alimento para la levadura, le añaden altura y sabor al pan y le dan a la corteza un color dorado. Entre los tipos de dulcificantes que pueden ser usados se incluyen el azúcar, azúcar moreno, miel, melaza, azúcar de arce, jarabe de maíz y frutas (secas o frescas). No use dulcificantes artificiales como sustitutos de los azúcares y demás dulcificantes naturales ya que la levadura no reaccionará correctamente y se obtendrán pobres resultados. Al medir edulcorantes pegajosos, recubra la cuchara de medición con aceite vegetal antes de medir el edulcorante. Esto permitirá que el edulcorante se deslice por la cuchara sin pegarse a la misma.

**LA LECHE** realza el sabor y aumenta el valor nutritivo del pan. Cualquier tipo de leche; en polvo, entera, de 2%, de 1%, descremada, suero o leche evaporada enlatada pueden ser usada en la preparación del pan. La leche refrigerada puede calentarse a 80-90°F (27-32°C); sin embargo, no la caliente de más (por encima de 100°F) ya que podría afectar la actividad de la levadura. No use leche regular al usar la función "Time Delay" (retraso). Utilice leche en polvo y agua como un sustituto.

**EL AGUA** usada en combinación con la leche en polvo puede ser sustituir a la leche regular y debe ser usada al utilizar la función "TIME DELAY" (retraso) ya que la leche



regular puede agriarse si se deja a la temperatura ambiente durante varias horas. Use agua tibia, alrededor de 27-32 °C (80-90 °F). No use agua por encima de 100 °F (38 °C) ya que esto podría afectar la levadura.

**LA MANTEQUILLA, MARGARINA, MANTECA Y ACEITES** cumplen varios objetivos en la preparación de pan ya que estos lo ablandan y le añaden sabor y riqueza. La mantequilla y la margarina son intercambiables en las recetas. La mantequilla y la margarina pueden ser usadas directamente del refrigerador, pero corte la mantequilla o margarina fría en pedazos más pequeños para una mezcla más rápida durante el ciclo de amasado. Se puede preparar pan de pocas calorías o sin grasas substituyendo cantidades iguales de compota de manzanas no endulzada o yogur regular por la cantidad de grasa recomendada en la receta. La utilización de menos grasa afectará la altura, la ternura y la textura del pan, lo cual es normal.

**LOS HUEVOS** añaden color y riqueza al pan y lo ayudan a leudar. Use huevos grandes. No es necesario premezclarlos. Los sustitutos de huevo pueden ser usados en lugar de huevos frescos. Un huevo es igual a ¼ taza de sustituto de huevo. Para reducir el colesterol, en la receta usted puede sustituir un huevo grande por dos (2) claras de huevo sin afectar el resultado final. Observe la masa durante el ciclo de amasado ya que algún ajuste menor podría requerirse para hacer que la masa tenga la consistencia correcta.

**LA SAL** tiene varias funciones en la preparación del pan. Controla el crecimiento de la levadura a la vez que refuerza la estructura del gluten para hacer que la masa sea más elástica y le añade sabor. Use la sal de mesa ordinaria en su máquina de hacer pan. La utilización de demasiada poca sal, o su eliminación, causará que la masa suba demasiada. Utilizar demasiada puede impedir que la masa suba al nivel que debería hacerlo. La sal "ligera" puede ser usada como sustituta de la sal de mesa ordinaria, siempre y cuando contenga tanto cloruro de potasio como de sodio. Use la misma cantidad recomendada para la sal de mesa. Al añadir la sal al molde, añádala en una esquina para mantenerla alejada de la levadura, sobre todo al usar el retraso ya que la sal puede afectar la actividad de misma.

**LA LEVADURA** es un organismo vivo que por medio de la fermentación se alimenta de hidratos de carbono en la harina y el azúcar para producir el gas dióxido de carbono que hace que el pan suba. En su máquina de hacer pan se puede utilizar levadura activa seca de subida rápida o de máquina de hacer pan. Use sólo la cantidad indicada en las recetas. La utilización de un poco más puede causar que la masa suba de más y se hornee en la parte superior de la máquina de hacer pan. La levadura de subida rápida y la levadura de máquina de hacer pan son prácticamente lo mismo e intercambiables la una con la otra. No use levadura comprimida ya que se obtendrán pobres resultados. Un sobre de una ¼ onza de levadura contiene 2¼ cucharaditas. La levadura también puede ser comprada en tarros de manera que usted puede medir la cantidad exacta necesaria. Una vez abierto, manténgalo refrigerado. Siempre asegúrese de que la levadura sea fresca y no haya sobrepasado su fecha de vencimiento.

**NOTAS ESPECIALES ACERCA DE LA HARINA:** Cómo realizar ajustes menores a la masa: Todas las harinas son afectadas por las condiciones de cultivo, molienda, almacenamiento, humedad, etc. Aunque no parezcan visiblemente diferentes, quizás necesite realizar algunos ajustes menores al utilizar diferentes marcas de harina al igual que para compensar por la humedad de la zona donde vive. Siempre almacene la harina de pan en un recipiente hermético al aire. Almacene las harinas integrales, tanto de trigo como de centeno, en un refrigerador para prevenir que se tornen rancias. Mida la cantidad de harina según las indicaciones en cada receta, pero haga cualquier ajuste después de los primeros 3-4 minutos de amasado continuo.

**NOTA ESPECIAL SOBRE LA CANELA Y EL AJO:** El agregar demasiada canela o ajo puede afectar la textura y el tamaño del pan. La canela puede degradar la estructura de la masa, afectando la altura y la textura. Demasiado ajo puede inhibir la actividad de levadura. Use sólo las cantidades de canela y ajo recomendadas en la receta.

**AJUSTAR LA MASA:** No apague la máquina de hacer pan para ajustar la masa, y verifique la condición de la misma tocándola y viéndola durante el ciclo de amasado. Los ajustes solamente se pueden realizar durante el ciclo de amasado.

- Si la masa se siente un poco pegajosa y hay una leve mancha de masa debajo de la cuchilla de amasar, no hace falta ningún ajuste.
- Si la masa está muy pegajosa, se pega a los lados del molde y se parece más a masa de pastel que a masa de pan, agregue una cucharada de harina. Permita que la harina se mezcle completamente en la masa antes de realizar cualquier otro ajuste. Para prevenir que escape el calor, abra la tapa de la máquina de hacer pan solamente para agregar harina.
- Si la masa está seca y la máquina de hacer pan pareciera estar esforzándose, agregue una cucharadita de agua tibia. Permita que el agua se mezcle completamente en la masa antes de hacer cualquier otro ajuste y mantenga la tapa cerrada para mantener el calor dentro del artefacto.

La masa está "justo en su punto" cuando presenta una apariencia lisa, es blanda al tacto, deja un leve residuo en el dedo y la parte inferior de la máquina de hacer pan no contiene ningún residuo de masa.

**CÓMO PREPARAR CORTEZAS DE PAN ARTESANALES:** Justo antes de comenzar el ciclo de horneado, abra la tapa de la máquina de hacer pan y utilizando un cepillo con cuidado recubra la superficie de la masa con una clara de huevo ligeramente batida que ha sido mezclada con 1 cucharadita de agua. Si lo desea, con un cuchillo afilado raje el diseño deseado en la parte superior de la masa con un corte de  $\frac{1}{4}$  a  $\frac{1}{2}$  pulgadas (.62 a 1.25 cm) de profundidad. Deje el pan tal cual o espolvoree encima del mismo semillas, hierbas, queso rallado parmesano o romano o cualquier otro ingrediente que desee. Con cuidado presione dentro de la masa los ingredientes espolvoreados para asegurarse de que se adhieran y no se caigan. Cierre la tapa y permita que el pan se hornee.

Para resultados óptimos, utilice solamente la clara de huevo batida con agua para tratar la corteza antes de comenzar el ciclo de horneado. Esta mezcla asegurará que los ingredientes espolvoreados se peguen y no se caigan del pan al retirar este del molde.

No utilice sprays de cocinar a base de aceite vegetal para tratar las cortezas, puesto que los mismos pueden ser inflamables al quedar expuestos a la unidad de calentamiento de la máquina de hacer pan.

La corteza también puede ser tratada una vez que se haya terminado de hornear el pan. Retire el pan del molde y colóquelo sobre una rejilla. Con un cepillo aplique una capa ligera de mantequilla derretida, margarina, aceite de oliva o aceite vegetal y espolvoree el ingrediente deseado sobre la parte superior del pan.

## PASOS BÁSICOS PARA LA PREPARACIÓN DE PAN

**Siempre limpie a fondo su artefacto electrodoméstico nuevo antes de usarlo. Consulte la sección "Limpieza de su Máquina de Hacer Pan Hi-Rise™".**

1. Inserte el molde para pan; coloque el molde para pan recubierto con anti-adherente exactamente en el medio de la base dentro del espacio de horneado. Cuando el molde para pan es presionado ligeramente en el centro, el dispositivo de fijación queda enganchado. Para retirar el molde para pan, tire con fuerza media del asa del molde para pan. **PRECAUCIÓN:** El asa está caliente después de hornear. Utilice guantes de cocina o almohadillas térmicas al sacar un molde para pan caliente.
2. Coloque las paletas de amasar en los ejes ubicados en el fondo del molde de pan, emparejando la forma del cubo con la forma del eje. Usted pudiera tener que torcer ligeramente la paleta de amasar para que esta encaje en su lugar. Asegúrese de que las paletas de amasar estén empujadas totalmente hasta el fondo de los ejes.
3. Añada los ingredientes al molde de pan en el orden listado en la receta: los

líquidos primero, luego la mantequilla o margarina, después los ingredientes secos y finalmente la levadura. Para los mejores resultados nivele los ingredientes secos antes de añadir la levadura.

4. Enchufe el cordón eléctrico de la máquina de hacer pan **SOLAMENTE** a un tomacorriente de corriente alterna de 120 voltios.
5. Use el botón "MENU" (menú) para seleccionar el menú de programa deseado.
6. Use el botón "TEMP" (temperatura) para seleccionar el grado de tostado deseado.
7. Use el botón de "LOAF" (barra de pan) para seleccionar el tamaño deseado de la barra de pan.
8. Si lo desea, use las flechas hacia del temporizador ("TIME") para ajustar el tiempo que tiene que transcurrir para cuando el programa tenga que completarse.
9. Pulse el botón de START/STOP (iniciar/parar) para iniciar el programa. Una vez que la máquina de hacer pan ha sido encendida, el ajuste programado no puede ser cambiado sin previamente anular el programa. Para cambiar el ajuste, sostenga oprimido el botón "START/STOP" (iniciar/parar) hasta que suene la alarma. Entonces programe el control según lo desee y vuelva a encender el artefacto.
10. Cuando el pan está listo, sonará una alarma. Apague la máquina de hacer pan manteniendo oprimido el botón "START/STOP" (iniciar/parar) hasta que suene la alarma. Desenchufe el cordón eléctrico del tomacorriente. Si la máquina de hacer pan no está apagada después de completarse el ciclo, la misma entrará automáticamente en la modalidad de "Keep Warm" (mantener caliente) de una hora de duración. Si la máquina no está apagada después del final del período "Keep Warm" (mantener caliente), la máquina se apagará por sí misma.
11. Retire el molde de pan. **PRECAUCIÓN:** El asa estará caliente después de hornear. Use guantes de cocina o almohadillas térmicas al sacar un molde de pan caliente.
12. Invierta el molde de pan y sacúdalo con cuidado hasta que caiga el pan. Coloque el pan sobre un estante a enfriar durante 15 a 20 minutos. Las paletas de amasar se quedarán normalmente dentro del molde de pan al retirar el pan, pero de vez en cuando pueden deslizarse y salirse con el pan. Si las paletas de amasar están dentro de la barra de pan, sáquelas antes de cortar el pan utilizando el gancho incluido. **PRECAUCIÓN:** Las paletas de amasar están muy calientes y debe sacarlas con cuidado. Si se va a preparar otro pan inmediatamente después, asegúrese de apagar la máquina y permitir se enfríe durante 15 a 20 minutos con la tapa abierta.

**Instrucciones Especiales para el Ajuste "Home Made" (hecho en casa):** El ajuste "HOME MADE" (hecho en casa) es perfecto para el usuario que está familiarizado con las complejidades de preparar el pan en casa y desea personalizar sus propios ajustes.

1. Presione el botón "PROCESS" (procesar) una vez y "KNEAD1" (amasado 1) aparecerá en la pantalla; entonces presione el botón "TIME" (tiempo) para ajustar los minutos. Pulse el botón "PROCESS" otra vez para confirmar el tiempo del primer ciclo de amasado. Pulse "PROCESS" otra vez para avanzar al siguiente paso. **Nota:** Para avanzar el tiempo más rápidamente, pulse y mantenga pulsado "TIME" (tiempo).
2. "RISE1" (crecimiento de la masa 1) se mostrará ahora en la pantalla. Presione el botón "TIME" (tiempo) para ajustar los minutos. Una vez haya ajustado el tiempo deseado, pulse "PROCESS" (procesar) otra vez para continuar.

3. Continúe hasta que haya personalizado todos los ajustes. Pulse "START/STOP" (iniciar/parar) para salir de la programación, y luego presiónelo otra vez para comenzar el ciclo.

**Nota:** La memoria de su máquina de hacer pan puede recordar sus ajustes personalizados para el pan preparado bajo la función "HOME MADE" (hecho en casa) a menos que haya un corte de la corriente eléctrica de más de 5 minutos. Cuando primero se selecciona "HOME MADE" (hecho en casa), el ajuste predeterminado es el mismo que "BASIC" (básico).

**Ajuste para altitudes altas:** La reducida presión atmosférica a altas altitudes hace que los gases de la levadura se expandan más velozmente y que la masa suba más rápidamente. La masa puede subir tanto que cuando comience a hornearse sufra un colapso debido al estiramiento excesivo de la estructura de gluten. Para reducir la subida de la masa, reduzca la cantidad de levadura en  $\frac{1}{4}$  de cucharadita a la vez hasta que dé con la cantidad correcta. También puede reducir la cantidad de líquido en una cucharadita o dos. Alguna experimentación será necesaria al usar su máquina de hacer pan a altas altitudes.

## LA LIMPIEZA DE SU MÁQUINA DE HACER PAN

1. Desenchufe el cordón eléctrico del tomacorriente y permita que se enfríe completamente antes de limpiarla.
2. Después de sacar el pan del molde, llene éste hasta la mitad con agua caliente y una pequeña cantidad de jabón para platos. Permita que el molde quede en remojo durante 5 a 20 minutos o hasta que la paleta de amasar pueda ser levantada del eje. Puede ser que necesite torcer la barra ligeramente para aflojarla. La paleta de amasar debe remojarse en agua antes de que pueda ser sacada. Si se dificulta sacar la paleta de amasar después del remojo, asegure la barra transversal en la cara inferior del molde a la vez que tuerce la paleta de amasar para aflojarla. Con un paño suave lave la parte interna del molde y la paleta de amasar, enjuague y seque. Use un detergente suave. No use ninguna esponja metálica o productos de limpieza abrasivos en el molde de pan o la paleta de amasar pues puede dañar el recubrimiento o acabado. Vuelva a colocar la paleta de amasar sobre el eje.
3. No sumerja el molde de pan en agua ni lo lave en un lavavajillas automático ya que se puede dañar el cojinete que hace girar la paleta de amasar. Limpie el interior de la cámara del horno y las superficies exteriores de la máquina de hacer pan con un paño húmedo si fuese necesario. ¡Nunca sumerja el artefacto electrodoméstico en agua ni llene de agua el compartimiento de horneado! La tapa **no puede** ser retirada para la limpieza.



**NOTA:** El recubrimiento interno del molde de pan puede cambiar de color con el tiempo, lo cual es normal y no afecta al pan.

## GUÍA DE SOLUCIÓN DE PROBLEMAS

**Analice los Sigüientes Problemas, Sus Causas Posibles y Soluciones.**

### TAMAÑO Y FORMA DEL PAN

#### **Panes cortos.**

- Los panes de trigo integral serán más cortos que los panes blancos debido a una menor cantidad de la proteína que forma el gluten en la harina integral.
- No hay suficiente líquido - Aumente el líquido en 1-2 cucharaditas.
- Se omitió el azúcar o no se agregó suficiente - Reúna los ingredientes tal como se indican en la receta.
- El tipo de harina usada no es la correcta - No use harina de uso general.
- No se usó suficiente levadura o está demasiada vieja. Mida la cantidad de recomendada y revise la fecha de frescura de caducidad en el paquete.
- Se uso el tipo incorrecto de levadura. Utilice levadura de subida rápida o para máquina de hacer pan. No use levadura comprimida.

#### **Panes planos, no hay subida.**

- Se omitió la levadura - Reúna los ingredientes tal como se indican en la receta.
- La levadura es demasiada vieja – Verifique la fecha de vencimiento.
- El líquido está demasiado caliente - Use líquidos tibios 27-32 °C (80-90 °F).
- Se añadió demasiada sal – Utilice la cantidad recomendada en la receta.
- Se omitió el azúcar u otro dulcificante - Reúna los ingredientes tal como se indican en la receta.

#### **La parte superior y los laterales se hunden.**

- Demasiado líquido - Reduzca el líquido en 1-2 cucharaditas.
- Demasiada levadura – Usa la cantidad recomendada.

#### **Parte superior nudosa, no lisa.**

- No hay suficiente líquido – Auméntelo en 1-2 cucharaditas.
- Demasiada harina – Mida la harina con precisión, nivelando la taza de medición.

#### **Panes desiguales, más cortos en un extremo.**

- La masa está demasiada seca previendo el crecimiento parejo en el molde - Incremente la cantidad de líquido en 1 a 2 cucharaditas.

#### **Colapsó mientras se horneaba.**

- Puede ser causado por hornear a altas altitudes - Haga el ajuste para hornear a alto altitud, reduciendo la levadura en ¼ cucharadita y el líquido en 1-2 cucharaditas.

## TEXTURA DEL PAN

### **Textura pesada y densa**

- Demasiada harina – Mida la harina con precisión, nivelando la taza de medición.
- No hay suficiente levadura - Añada la cantidad recomendada de levadura.
- No hay suficiente azúcar - Añada la cantidad recomendada de azúcar.

### **Textura abierta, gruesa y llena de agujeros**

- Se omitió la sal - Reúna los ingredientes tal como se indican en la receta.
- Demasiada levadura - Añada la cantidad recomendada de levadura.
- Demasiado líquido - Reduzca el líquido en 1-2 cucharaditas.

### **El pan no se corta bien, está muy pegajoso**

- Rebanado mientras estaba caliente – Permita que el pan se enfríe en la rejilla por lo menos 15-20 minutos antes de cortarlo para que libere el vapor.
- No está usando el cuchillo apropiado. – Use un buen cuchillo de pan o un cuchillo eléctrico.

### **El centro del pan está crudo, no se horneó**

- Demasiado líquido - Reduzca el líquido en 1-2 cucharaditas.
- Corte de suministro eléctrico – Si la energía eléctrica llegase a cortarse durante la operación durante un lapso mayor de 5 minutos, la máquina de hacer pan permanecerá apagada cuando la energía eléctrica sea restaurada. Retire la barra de pan no cocida del molde para pan y comience de nuevo con ingredientes frescos.
- Se olvidó de colocar la paleta de amasar en el molde - Antes de añadir ingredientes, asegúrese siempre de que la paleta de amasar esté en el eje en el fondo del molde.

## GROSOR Y COLOR DE LA CORTEZA

### **Corteza demasiado gruesa con color oscuro**

- Demasiado azúcar - Reduzca el azúcar a la mitad.

### **El pan está quemado**

- La máquina de hacer pan está funcionando mal – Vea la página de Garantía para la información de servicio.

### **Corteza demasiado clara**

- No hay suficiente azúcar - Aumente el azúcar o la grasa en una mitad más de lo recomendado.

## PROBLEMAS DEL MOLDE PARA PAN

### **No puede quitarse la paleta de amasar**

- Añada agua tibia al molde para pan y permita que la paleta de amasar quede en remojo antes de tratar de sacarlo. Siga las instrucciones de limpieza. Para aflojarla, puede que tenga que torcer la barra ligeramente después de remojarla. No sumerja el molde de pan en agua.

### **El pan se pega al molde / difícil de vaciarlo sacudiendo**

- Puede ocurrir con el uso prolongado – Unte aceite vegetal o manteca sólida dentro del molde de pan, de las costillas para abajo, o añada 1 cda. de aceite vegetal al líquido en el molde antes de añadir los ingredientes secos. No use spray vegetal ya que la pegajosidad puede empeorarse. O, deje al pan reposar en el molde durante 10 minutos antes de vaciarlo sacudiendo. Puede pedirse un molde de reemplazo. Vea la sección de Garantía.

## MECÁNICA DE LA MÁQUINA

### **Ingredientes no se mezclan**

- La máquina no arrancó – Después de programar el panel de instrumentos, pulse el botón “START/STOP” (encendido y apagado) para encender el artefacto.
- Se olvidó de colocar la paleta de amasar en el molde - Antes de añadir ingredientes, asegúrese siempre de que la paleta de amasar esté en el eje en el fondo del molde.

### **Se notó olor a quemado durante la operación**

- Los ingredientes se derramaron dentro del horno – Procure no derramar ingredientes al agregarlos al molde ya que se quemarán en la unidad calentadora y formarán humo.
- Escapes del molde – Puede pedirse un molde de reemplazo. Vea la sección de Garantía.
- Se está excediendo la capacidad del molde del pan – No use más ingredientes de los recomendados en la receta y siempre mida con exactitud.
- **La máquina fue desenchufada por equivocación o hubo un corte de energía eléctrica de más de 5 minutos durante el uso. ¿Cómo puedo salvar el pan?**
- Si la máquina está en el ciclo de amasado, vuelva a programar al mismo ajuste de pan y vuelva a encender la máquina.
- Si la máquina está en el ciclo de subida u horneado, precaliente el horno convencional a 177°C (350°F/177°C). Con cuidado saque el molde de la máquina y hornee en la rejilla en el centro del horno durante 20-25 minutos o hasta que tome un color oro marrón.

### **Suena la alarma, la pantalla muestra “H H H” y la máquina no puede encenderse**

- La máquina pan está demasiado caliente para preparar barras de pan de manera consecutiva – Desenchufe el cordón eléctrico del tomacorriente y permita que se enfríe durante 15-20 minutos con el molde retirado y la tapa abierta. Vuelva a enchufar de nuevo el cordón eléctrico al tomacorriente, coloque el molde de pan e inicie la máquina.

### **Suena la alarma, la pantalla muestra “E E E” y la máquina no puede encenderse**

- La máquina de hacer pan está funcionando mal – Vea la sección de Garantía para la información de servicio.

## RECETAS

Las mezclas de pan preempacadas pueden usarse en su máquina de hacer pan. Simplemente siga las instrucciones dadas para la mezcla específica de pan. A menos que se indique lo contrario para la mezcla de pan, use el ajuste de 1½ libras para el tamaño de la barra de pan. Siga las prácticas estándar; primero agregue los ingredientes líquidos en el molde de pan, luego los ingredientes secos con la levadura (de ser requerida) de último.

Las siguientes son algunas sencillas recetas de pan para que pueda comenzar. Hay muchos libros de recetas que contienen recetas para panes y un libro de receta suplementario está disponible en [www.focuselectrics.com](http://www.focuselectrics.com).

### BÁSICO (“BASIC”)

Para todas las recetas a continuación, siga estas pautas generales. **Los panes siguientes deberán ser horneados con el ajuste 1, “Basic” (básico).**

Primero añada los líquidos al molde de pan, y luego los ingredientes secos. Nivele los ingredientes secos; divida la mantequilla o margarina en cuatro partes y añádalas en las esquinas. Haga una impresión en el centro de los ingredientes secos y añada la levadura. Cierre la tapa, seleccione "Menu" (menú), escoja el ajuste deseado, seleccione "Color" y luego seleccionar en "Loaf" (barra de pan) el tamaño indicado en la receta.

#### Pan Blanco Tradicional

Barra de 1.5 Libras (.68kg)	INGREDIENTES	Barra de 2.0 Libras (.91kg)
1¼ tazas + 2 cdas.	Leche 80° F	1½ tazas + 2 cdas.
2 cdas.	Mantequilla o Margarina	2 cdas.
3 ⅓ tazas	Harina de Pan	4 tazas
1½ cdas.	Azúcar	2 cdas.
1¼ cda.	Sal	1½ cda.
2 cdas.	Levadura Activa Seca	2¼ cdas.
-0-	-0-	-0-
1½ cdas.	Levadura de Máquina de hacer pan/Crec. Rápido	2 cdas.

#### Pan de Ajo

Barra de 1.5 Libras (.68kg)	INGREDIENTES	Barra de 2.0 Libras (.91kg)
1 ¼ taza	Agua, 80° F	1 ½ taza)
2 cdas.	Mantequilla o Margarina	2 cdas.
3 ⅓ tazas	Harina de Pan	4 tazas
2 cdas.	Leche en Polvo	1 cdas.
1 cda.	Hojas de Perejil Desecadas	1 ½ cdas.
1 cda.	Azúcar	1 ½ cdas.
1 ¼ cdtas.	Sal	1 ½ cdtas.
½ - 1 cdtas.	Ajo en Polvo	1 - ½ cdtas.
2 cdas.	Levadura Activa Seca	2 ¼ cdas.
-0-	-0-	-0-
1½ cdtas.	Levadura de Máquina de hacer pan/Crec. Rápido	2 cdas.



## Pan de Nuez

Barra de 1.0 Libra (.45kg)	INGREDIENTES	Barra de 2.5 Libras (1.1kg)
½ taza + 1 cda.	Agua 80° F	1½ tazas + 1 cda.
1	Huevo	1
2 cdas.	Mantequilla o Margarina	5 cdas.
2 cdas.	Leche en Polvo	5 cdas.
1 cda.	Miel	2 cdas.
1/5 taza	Nuez	¾ taza
2 tazas	Harina de Pan	4 ½ tazas
2 cdas.	Azúcar	4 cdas.
¾ cda.	Sal	1 ½ cdtas.
1 cda.	Levadura Activa Seca	1 ½ cdtas.

## Pan de Centeno Cilásico

Barra de 1.5 Libras (.68kg)	INGREDIENTES	Barra de 2.0 Libras (.91kg)
1¼ tazas + 1 cda.	Agua, 80° F	1½ tazas
1 cda.	Mantequilla o Margarina	1 cda.
2½ tazas	Harina de Pan	3 tazas
1 taza	Harina de Centeno Media	1¼ tazas
2 cdas.	Leche en Polvo	2 cdas.
1½ cdas.	Azúcar	1½ cdas.
1¼ cda.	Sal	1½ cda.
2 cdtas.	Semilla de Alcaravea, opcional	2 cdtas.
2 cdtas.	Levadura Activa Seca	2¼ cdtas.
-0-	-0-	-0-
1½ cdtas.	Levadura de Máquina de hacer pan/Crec. Rápido	2 cdtas.

## Pan de Ajonjolí

Barra de 1.0 Libra (.45kg)	Ingredientes	Barra de 2.5 Libras (1.1kg)
½ taza + 3 cdas.	Agua 80° F	1½ tazas + 3 cdas.
2 cdas.	Mantequilla o Margarina	5 cdas.
2 cdas.	Leche en Polvo	5 cdas.
2 cdas.	Semillas de Sésamo	4 cdas.
2 tazas	Harina de Pan	4 ⅓ tazas
2 cdas.	Azúcar	4 cdas.
¾ cdtas.	Sal	1 ½ cdtas
1 cda.	Levadura Activa Seca	1 ½ cdtas.

## DE BAJO CONTENIDO DE CARBOHIDRATOS Y SIN GLUTEN

Para todas las recetas a continuación, siga estas pautas generales. **Todos los panes de Bajo Contenido de Carbohidratos y Sin Gluten deberán hornearse con el ajuste 1, "Basic" (básico).** Para los panes sin gluten, los ingredientes líquidos deben batirse primero en un tazón separado para asegurar una mezcla correcta. Rompa los huevos en una taza de medir de 2 tazas y añada la cantidad recomendada de agua antes de mezclarlos en los ingredientes líquidos.

### Pan Sin Gluten

Barra de 2.0 Libras (.91kg)	INGREDIENTES
1 taza + 2 cdas.	Agua, 80° F
3	Huevos*
4 cdas.	Mantequilla Derretida o Aceite Canola
1 cda.	Vinagre de Cidra
2 tazas	Harina de Arroz Blanco
¾ taza	Harina de Almidón de Papa
¼ taza	Harina de Tapioca
⅔ taza	Leche en Polvo Descremada
3 cdas.	Azúcar
1 cda.	Goma de Xantana
1 ½ cdtas.	Sal
1 cda.	Levadura Activa Seca

\* Agregue agua a la taza de medición, llene hasta 1 ¾ tazas

### Pan sin Gluten de Harina de Arroz Marrón y Blanco

Barra de 2.0 Libras (.91kg)	INGREDIENTES
1 taza	Agua, 80° F
3	Huevos*
4 cdas.	Mantequilla Derretida o Aceite Canola
1 cda.	Vinagre de Cidra
1 taza	Harina de Arroz Blanco
1 taza	Harina de Arroz Marrón
¾ taza	Harina de Almidón de Papa
¼ taza	Harina de Tapioca
⅔ taza	Leche en Polvo Descremada
3 cdas.	Azúcar Moreno
1 cda.	Goma de Xantana
1 ½ cdtas.	Sal
1 cda.	Levadura Activa Seca

\* Añada el agua a la taza de medir, llénese a 1 ⅔ taza.

## Pan sin Gluten de Limón y Semillas de Amapola

Barra de 2.0 Libras (.91kg)	INGREDIENTES
1 taza + 2 cdas.	Agua, 80° F
3	Huevos*
4 cdas.	Mantequilla Derretida o Aceite Canola
2 cdtas.	Extracto de Limón (libre de gluten)
2 tazas	Harina de Arroz Blanco
¾ tazas	Harina de Almidón de Papa
¼ taza	Harina de Tapioca
⅔ taza	Leche en Polvo Descremada
3 cdas.	Azúcar
1 cda.	Goma de Xantana
1 ½ cdtas.	Sal
1 cda.	Semillas de Amapola
1 cda.	Levadura Activa Seca

\* Agregue agua a la taza de medición, llene hasta 1 ¾ tazas

## Pan de Lino y Semilla de Girasol

Barra de 2.0 Libras (.91kg)	INGREDIENTES
1 ⅓ tazas	Agua, 80° F
2 cdas.	Mantequilla
3 cdas.	Miel
1 cda.	Sal
1 ⅓ tazas	Harina Integral de Trigo para Pan
1 ½ tazas	Harina para Pan
	Levadura de Subida Rápida/para Máquina de Hacer Pan
1 cda.	
½ tazas	Semillas de Lino, toscamente molidas
½ tazas	Semillas de Girasol, Peladas

## Pan Favorito de Bajo Contenido de Carbohidratos

Barra de 2.0 Libras (.91kg)	INGREDIENTES
1 taza	Agua, 80° F
2	Huevos
2 cdas.	Mantequilla o Margarina
¼ taza	Sustituto de Azúcar Splenda
⅔ taza	Semillas de Lino Molidas
½ taza	Harina de Soja
1 ½ tazas	Harina de Gluten Vital de Trigo
2 cdtas.	Levadura Activa Seca

## Pan de Bajo Contenido de Carbohidratos

Barra de 1.5 Libras (.68kg)	INGREDIENTES
¾ taza	Agua, 80° F
1	Huevo
1 cda.	Mantequilla o Margarina
1 cdta.	Azúcar
½ taza	Harina de Avena
½ taza	Harina de Soja
1 taza	Gluten Vital de Trigo
2 cdtas.	Levadura de Máquina de hacer pan/Crecimiento Rápido

### RÁPIDO ("QUICK")

Para todas las recetas a continuación, siga estas pautas generales. **Los siguientes panes deberán ser horneados con el ajuste 2, "Rápido".**

Primero añada los líquidos al molde de pan, y luego los ingredientes secos. Nivele los ingredientes secos; divida la mantequilla o margarina en cuatro partes y añádalas en las esquinas. Haga una impresión en el centro de los ingredientes secos y añada la levadura. Cierre la tapa, seleccione "Menu" (menú), escoja el ajuste deseado, seleccione "Color" y luego seleccionar en "Loaf" (barra de pan) el tamaño indicado en la receta.

### Pan de Maíz

Barra de 1.0 Libra (.45kg)	INGREDIENTES	Barra de 2.5 Libras (1.1kg)
½ taza + 1 cda.	Leche 80° F	1 taza + 7 cdtas.
1	Huevo	1
2 cdas.	Mantequilla o Margarina	3 cdas.
1 cdta.	Sal	1 cdta.
1 cda.	Azúcar	2 cdas.
1 taza	Harina de Pan	2 tazas
1 taza	Harina de Maíz	2 tazas
3 cdtas.	Polvo de Hornear	4 cdtas.

### Pan de Nuez

Barra de 1.5 Libras (.68kg)	INGREDIENTES
4 cdas.	Aceite Vegetal
6 oz. (¾ taza)	Leche 80° F
2	Huevos, grandes
2½ tazas	Harina de Uso General
1 taza	Azúcar
2½ cdtas.	Levadura en Polvo
½ cdta.	Bicarbonata de Sosa
1 cdta.	Sal
½ taza	Nueces Picadas

## VARIACIONES DE SABOR DEL PAN DE NUEZ

**Nuez con Banana:** Sustituya el aceite vegetal por ½ taza de mantequilla o margarina ablandada, cortada en pequeños pedazos para poderlos mezclar bien; reduzca la leche a 2 cucharaditas; añada 1½ tazas de banana maduro triturado (aproximadamente 2 medianos).

**Pacanas y cerezas:** Reduzca la leche a ½ taza; use pacanas picadas en vez de nueces picadas; añada ½ taza de cerezas de marrasquino picadas, bien drenadas.

**Nueces y arándanos:** Reduzca la leche a ½ taza y añada que 1 taza de arándanos gruesamente picados.

**Dátiles:** Omite las nueces picadas y añada ¾ taza de dátiles picados y ½ cucharadita de nuez moscada molida.

## FRANCÉS (“FRENCH”)

Para todas las recetas a continuación, siga estas pautas generales. **Los panes siguientes deberán ser horneados con el ajuste 3, “French” (FRANCÉS).**

Primero añada los líquidos al molde de pan, y luego los ingredientes secos. Nivele los ingredientes secos; divida la mantequilla o margarina en cuatro partes y añádalas en las esquinas. Haga una impresión en el centro de los ingredientes secos y añada la levadura. Cierre la tapa, seleccione "Menu" (menú), escoja el ajuste deseado, seleccione "Color" y luego seleccionar en "Loaf" (barra de pan) el tamaño indicado en la receta.

### Pan Francés

Barra de 1.5 Libras (.68kg)	INGREDIENTES	Barra de 2.0 Libras (.91kg)
1¼ tazas + 1 cda.	Agua, 80° F	1½ tazas + 1 cda.
1 cda.	Mantequilla o Margarina	1½ cda.
3 ⅓ tazas	Harina de Pan	4¼ tazas
1½ cdtas.	Azúcar	2 cdtas.
1¼ cda..	Sal	1½ cdtas.
2 cdtas.	Levadura Activa Seca	2¼ cdtas.
-o-	-o-	-o-
1½ cdtas.	Levadura de Máquina de hacer pan/Crecimiento Rápido	2 cdtas.

## SÚPER RÁPIDO

Para todas las recetas a continuación, siga estas pautas generales. **Estas deberán ser horneadas con el ajuste 4, “Super Rápido.”** Muchas recetas pueden ser convertidas al ciclo Súper Rápido. Use su receta preferida y añada un adicional 1 cda. de levadura para aquellas recetas que usan levadura.

**NO USE ningunas recetas de panes rápidos (sin levadura) en este ajuste.**

### Pan Básico Súper Rápido

Barra de 1.0 Libra (.45kg)	INGREDIENTES	Barra de 2.5 Libras (1.1kg)
½ taza + 1 cda.	Agua 80° F	1 taza + 4 cdas.
1	Huevo	1
1 cda.	Mantequilla o Margarina	3 cdas.
1 cda.	Leche en Polvo	3 cdas.
2 tazas	Harina de Pan	4 ⅓ tazas
2 cdas.	Azúcar	4 cdas.
1 cda.	Sal	1 ½ cdtas.
2 cdtas.	Levadura Activa Seca	3 ½ cdtas.

## TRIGO INTEGRAL (“WHOLEWHEAT”)

Para todas las recetas a continuación, siga estas pautas generales. **Estas deberán ser horneadas con el ajuste 5, “Wholewheat.”**

Si el pan colapsase durante el período de horneado, para impedir que esto suceda añada 1 o 1½ cucharadas de gluten vital de trigo a la receta según el tamaño respectivo de la barra de pan. El gluten vital de trigo integral puede encontrarse en la mayoría de las tiendas de alimentos naturales.

### Pan 100 % Integral

Barra de 1.5 Libras (.68kg)	INGREDIENTES	Barra de 2.0 Libras (.91kg)
1 taza + 2 cdas.	Agua, 80° F	1¼ tazas + 3 cdas.
1	Huevo, grande	1
1 cda.	Melaza	1½ cdas.
1 cda.	Miel	1½ cdas.
2 cdas.	Mantequilla o Margarina	2 cdas.
3 ½ tazas	Harina de Trigo Integral	4¼ tazas
2 cdas.	Leche en Polvo	2 cdas.
1¼ cda.	Sal	1½ cdtas.
2 cdtas.	Levadura Activa Seca	2¼ cdtas.
-0-	-0-	-0-
1½ cdtas.	Levadura de Máquina de hacer pan/Crecimiento Rápido	2 cdtas.

### Pan de Trigo integral y Yogur

Barra de 1.5 Libras (.68kg)	INGREDIENTES	Barra de 2.0 Libras (.91kg)
1 taza	Agua, 80° F	1 taza + 2 cdas.
½ taza	Yogur Simple sin Grasa	¾ taza
2 cdas.	Mantequilla o Margarina	2 cdas.
1 1/3 tazas	Harina de Pan	1 ½ tazas
2 tazas	Harina Integral	2 ¾ tazas
2 cdas.	Leche en Polvo	2 cdas.
2 cdas.	Azúcar Moreno, Embalado	2 cdas.
1 ¼ cdtas.	Sal	1 ½ cdtas.
2 cdtas.	Levadura Activa Seca	2 ¼ cdtas.
-0-	-0-	-0-
1 ½ cdtas.	Levadura de Máquina de hacer pan/Crecimiento Rápido	2 cdtas.

## DULCE (“SWEET”)

Para todas las recetas a continuación, siga estas pautas generales. **Los panes siguientes deberán ser horneados con el ajuste 6, “Sweet.”**

Primero añada los líquidos al molde de pan, y luego los ingredientes secos. Nivele los ingredientes secos; divida la mantequilla o margarina en cuatro partes y añádalas en las esquinas. Haga una impresión en el centro de los ingredientes secos y añada la levadura. Cierre la tapa, seleccione "Menu" (menú), escoja el ajuste deseado, seleccione "Color" y luego seleccione en "Loaf" (barra de pan) el tamaño indicado en la receta.

### Pan de Coco

Barra de 1.0 Libra (.45kg)	INGREDIENTES	Barra de 2.5 Libras (1.1kg)
½ taza + 2 cdas.	Agua 80° F	1½ tazas + 2 cdas.
1	Huevo	1
2 cdas.	Mantequilla o Margarina	4 cdas.
¼ taza	Leche en Polvo	½ taza
1 cda.	Miel	2 cdas.
¼ taza	Coco*	½ taza
2 tazas	Harina de Pan	4 ⅓ tazas
¼ taza	Azúcar	½ taza
1 cdta.	Sal	1 ½ cdts.
1 ½ cdts.	Levadura Activa Seca	1 ½ cdts.

\* Añada la mitad del coco durante el segundo ciclo de amasado, luego añada el resto antes del ciclo de hornear.

### Pan de Pasas

Barra de 1.0 Libra (.45kg)	INGREDIENTES	Barra de 2.5 Libras (1.1kg)
1¼ tazas + 1 cda.	Agua, 80° F	1½ tazas + 1 cda.
2 cdas.	Mantequilla o Margarina	4 cdas.
2 tazas	Harina de Pan	4 tazas
¼ taza	Leche en Polvo	½ taza
3 cdas.	Azúcar	⅓ taza
¾ cdts.	Sal	1½ cdts.
1	Huevo	1
1 cdta.	Levadura Activa Seca	1 ½ cdts.
1 cda.	Miel	2 cdas.
¼ taza	Pasas	½ taza
¼ taza	Nueces Picadas (opcionales)	⅓ taza

## MASA ("DOUGH")

Para todas las recetas a continuación, siga estas pautas generales. **Los panes siguientes deberán ser horneados con el ajuste 7, "Dough."**

Primero añada los líquidos al molde de pan, y luego los ingredientes secos. Nivele los ingredientes secos; divida la mantequilla o margarina en cuatro partes y añádalas en las esquinas. Haga una impresión en el centro de los ingredientes secos y añada la levadura. Cierre la tapa, seleccione "Menu" (menú), escoja el ajuste deseado, seleccione "Color" y luego seleccione en "Loaf" (barra de pan) el tamaño indicado en la receta.

### Bagel Básico

Barra de 1.5 Libras (.68kg)	INGREDIENTES
1 taza	Agua, 80° F
3 tazas	Harina de Pan
2 cdas.	Azúcar
1½ cdtas.	Sal
1½ cdas., cut into 6 piezas	Mantequilla o Margarina
2 cdtas.	Levadura Activa Seca
-or-	-o-
1½ cdtas.	Levadura de Máquina de hacer pan/Crecimiento Rápido
3 Quarts	Agua
1 cda.	Azúcar
	Semillas de Amapola o de Sésamo, como guarnición

Después de que la masa esté formada y la máquina de hacer pan se apague, saque la masa del molde de pan y colóquela en un tazón ligeramente enmantequillado. Tape el tazón y colóquelo en el refrigerador durante 20 minutos.

Una vez se haya enfriado la masa, retírela del tazón y colóquela sobre una superficie ligeramente espolvoreada con harina. Estire la masa en un rectángulo de ½ pulgada de grueso. Divida la masa en 8 secciones iguales, déle forma de pelota a cada pedazo y con su dedo perfora un agujero por el centro. Estire el agujero hasta que tenga aproximadamente 1-2 pulgadas de diámetro. Coloque los bagels formados en una bandeja para galletas enmantequillada aproximadamente 2 pulgadas aparte. Cepíllelos ligeramente con agua fría, cúbralos y colóquelos en un cuarto caliente libre de corrientes de aire para que crezcan hasta que se hayan doblado en tamaño.

Lleve 3 cuartos de galón (2,8 l) de agua al hervor en una cacerola grande de 5 cuartos de galón (4,7 l). Añada el azúcar y remueva hasta disolverlo. Reduzca a fuego bajo y con cuidado añada 2-3 bagels al agua caliente. Deje hervir a fuego lento durante 3-4 minutos en cada lado. Saque los bagels con una cuchara ranurada, deje escurrir, y luego colóquelos sobre la bandeja de hornear enmantequillada aproximadamente una pulgada aparte. Si se desea, rocíelos con la guarnición, y hornee los bagels en un horno precalentado a 450°F (232°C) durante 12-15 minutos o hasta quedar dorados. Deje que se enfríen ligeramente antes de servirlos.



## Bolillos de Pan Básicos/Palitos de Pan

Barra de 1.5 Libras (.68kg)	INGREDIENTES
¾ taza + 1 cda.	Agua, 80° F
3 cdas.	Mantequilla o Margarina
3 tazas	Harina de Pan
3½ cdas.	Azúcar
2 cdas.	Leche en Polvo
1 cda.	Sal
2 cdtas.	Levadura Activa Seca
-0-	-0-
1½ cdtas.	Levadura de Máquina de hacer pan/Crecimiento Rápido
	Mantequilla Ablandada o Blanco de Huevo Ligeramente Batido

Una vez completado el ciclo de amasado, saque el molde de pan de la máquina de hacer pan y luego retire la masa. Coloque la masa sobre una superficie ligeramente espolvoreada con harina durante 15 minutos. Déle a la masa la forma de bolillo deseada, colóquela sobre una bandeja de horno enmantequillada, tápela y colóquela en un área caliente libre de corrientes durante 45 minutos para que crezca. Una vez que la masa se haya doblado en tamaño, ligeramente cepille la parte superior con mantequilla o blanco de huevo y hornéela a 350 ° F durante 15-20 minutos, o hasta quedar dorada. Sirva caliente.

### MERMELADA DE FRESA DE MÁQUINA DE HACER PAN

Para todas las recetas a continuación, siga estas pautas generales. **Los panes siguientes deberán ser horneados con el ajuste 9, "Jam" (mermelada).**

	INGREDIENTS
2 taza	Azúcar Granulado
2 cda.	Pectina de Fruta Pulverizada con Bajo Contenido de Azúcar
3 tazas	Fresas Frescas, lavadas, cortadas y descascaradas

### SÁNDWICH

Para la receta siguiente, siga estas pautas generales. **La receta siguiente deberá ser horneada en el ajuste 10, "Sandwich" (sándwich).**

#### Pan Blanco de Sándwich

Barra de 1.0 Libra (.45kg)	INGREDIENTES	Barra de 2.5 Libras (1.1kg)
½ taza + 3 cdas.	Agua 80° F	1½ tazas + 3 cdas.
1 cda.	Mantequilla o Margarina	3 cdas.
1 cda.	Leche en Polvo	3 cdas.
2 tazas	Harina de Pan	4 ¾ tazas
1 cda.	Azúcar	2 ½ cdas.
1 cda.	Sal	2 cdtas.
1 cda.	Levadura Activa Seca	1 cda.

## GARANTÍA DEL PRODUCTO

### Garantía limitada de 1 año del artefacto

Focus Electrics, LLC ("Focus Electrics") garantiza que este aparato no presentará fallas de material ni fabricación durante un (1) año a partir de la fecha original de compra con prueba de dicha compra, siempre y cuando el aparato sea operado y mantenido tal como se indica en el manual de instrucciones provisto. Toda pieza del aparato que presente fallas será reparada o reemplazada sin costo alguno a criterio de Focus Electrics. Esta garantía rige solamente para el uso domestico dentro de la casa.

Esta garantía no cubre ningún daño, incluyendo la decoloración, de superficie anti-adherente alguna del aparato electrodoméstico. Esta garantía es nula y sin valor, según lo determine exclusivamente Focus Electrics si el artefacto electrodoméstico es dañado a causa de accidente, mal uso, abuso, negligencia, rayaduras, o si el artefacto electrodoméstico es cambiado de algún modo.

**ESTA GARANTÍA REEMPLAZA A TODAS LAS DEMÁS GARANTÍAS IMPLÍCITAS, INCLUYENDO AQUÉLLAS DE COMERCIABILIDAD, IDONEIDAD PARA UN FIN O USO EN PARTICULAR, DESEMPEÑO, U OTROS TIPOS, LAS CUALES QUEDAN EXCLUIDAS MEDIANTE EL PRESENTE DOCUMENTO. FOCUS ELECTRICS RECHAZA TODA RESPONSABILIDAD POR DAÑOS, YA SEAN DIRECTOS, INDIRECTOS, INCIDENTALES, PREVISIBLES, CONSECUENTES O ESPECIALES QUE SURJAN DE ESTE APARATO ELECTRODOMÉSTICO O GUARDEN RELACIÓN CON EL MISMO.**

Si piensa que el artefacto electrodoméstico se ha dañado o requiere de servicio dentro de su período de garantía, por favor póngase en contacto con el Departamento de Atención al Cliente de Focus Electrics por el (866) 290-1851 o contáctenos por correo electrónico a [service@focuselectrics.com](mailto:service@focuselectrics.com). Para todas las reclamaciones de garantía, se requerirá un recibo que demuestre la fecha de compra original, los recibos escritos a mano no son aceptados.

También puede requerirse que usted devuelva el aparato para su inspección y evaluación. Los gastos de devolución no son reembolsables. Focus Electrics no se hace responsable de las devoluciones perdidas en tránsito.

Válido sólo en EE.UU. y Canadá

## REPUESTOS

Los repuestos, de estar disponibles, pueden ser pedidos directamente a Focus Electrics, LLC de varias maneras. Ordene en línea a través de [www.focuselectrics.com](http://www.focuselectrics.com), por correo electrónico a [service@focuselectrics.com](mailto:service@focuselectrics.com), por teléfono llamando al (866) 290-1851, o escribiendo a:

Focus Electrics, LLC  
Attn: Customer Service  
P. O. Box 2780  
West Bend, WI 53095

Para colocar un pedido con pago mediante cheque o giro postal, póngase en contacto primero con Atención al Cliente para que le indiquen el total de la orden. Envíe su pago junto con una carta que indique el número de modelo o catálogo de su aparato, que puede ubicarlo en la parte inferior o posterior de la unidad, una descripción de la parte o partes que usted solicita, y la cantidad que desea. Su cheque deberá ser hecho a nombre de Focus Electrics, LLC.

El impuesto sobre las ventas de su estado y un recargo por gastos de envío serán añadidos al precio total. Por favor permita un plazo de dos semanas para el procesamiento y entrega.

Este manual contiene información importante y útil sobre el uso seguro y el cuidado de su nuevo producto Focus Electrics. Para su propia referencia, archive aquí el recibo fechado que sirve de comprobante de compra para la garantía, y anote la siguiente información:

Fecha en que compró o recibió la unidad como regalo: \_\_\_\_\_

Dónde se efectuó la compra y el precio, si lo sabe: \_\_\_\_\_

Número y código de fecha del producto (aparece en la parte inferior/posterior de la unidad): \_\_\_\_\_



## Free Manuals Download Website

<http://myh66.com>

<http://usermanuals.us>

<http://www.somanuals.com>

<http://www.4manuals.cc>

<http://www.manual-lib.com>

<http://www.404manual.com>

<http://www.luxmanual.com>

<http://aubethermostatmanual.com>

Golf course search by state

<http://golfingnear.com>

Email search by domain

<http://emailbydomain.com>

Auto manuals search

<http://auto.somanuals.com>

TV manuals search

<http://tv.somanuals.com>