

**INSTALLER/CONSUMER
SAFETY INFORMATION**

PLEASE READ THIS MANUAL
BEFORE INSTALLING AND
USING APPLIANCE.

WARNING!

IF THE INFORMATION IN THIS
MANUAL IS NOT FOLLOWED
EXACTLY, AN ELECTRICAL
SHOCK OR FIRE MAY RESULT
CAUSING PROPERTY DAMAGE,
PERSONAL INJURY OR LOSS
OF LIFE.

FOR YOUR SAFETY

Service must be performed by
a qualified service agency.

DO NOT STORE OR USE
GASOLINE OR OTHER
FLAMMABLE VAPORS AND
LIQUIDS IN THE VICINITY
OF THIS OR ANY OTHER
APPLIANCE.

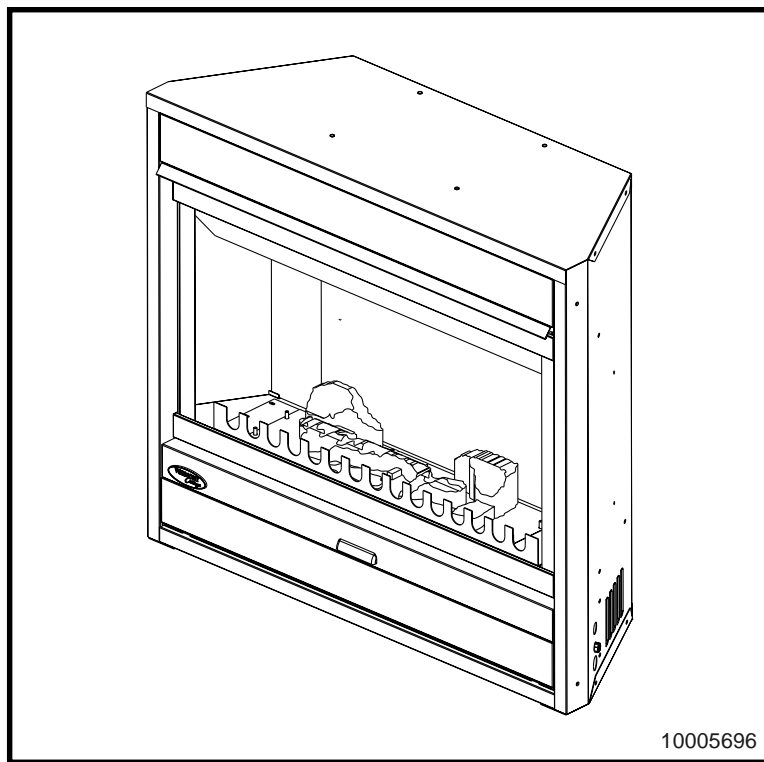


C US



**Electric Fireplace
Model**

**DEF33/36;
DEFD33/36**



10005696

**Homeowner's Installation and
Operating Manual**

Vermont Castings, Majestic Products

410 Admiral Blvd. • Mississauga, Ontario, Canada L5T 2N6 • 905-670-7777
www.majesticproducts.com • www.vermontcastings.com

INSTALLER: DO NOT DISCARD THIS MANUAL - LEAVE FOR HOMEOWNER

10005898 9/03 Rev.0

Table of Contents

Please read the Installation & Operating Instructions before using this appliance.

Thank you and congratulations on your purchase of a Vermont Castings, Majestic Products fireplace.

IMPORTANT: Read all instructions and warnings carefully before starting installation. Failure to follow these instructions may result in a possible electric shock, fire hazard and/or injury, and will void the warranty.

Installation Instructions

General Information	3
Locating Your Electric Fireplace	3
Clearance to Combustibles	3
Hearth	3
Cabinet Installations	3
Fireplace Dimensions	4
Electrical Specifications	4
Mantels	5
Framing and Finishing	6
Electrical Connection	6
Hard (Direct) Wire Connection	6
Installation of DEF33 Logs	7
Installation of DEF36 Logs	7

Service Instructions

Glass Frame Removal	8
Glass Information	8
Replacing Light Bulbs	8
Cleaning Brass Trim	8
Maintenance of Motors	8
Electrical Wiring Diagram with Intergral Remote Control	9
Electrical Wiring Diagram without Intergral Remote Control	10
Ceramic Refractory Installation	10

Operating Instructions

Main ON/OFF Switch	11
Heater Control	11
Flame Speed Control	11
Re-learn	11
ON/OFF	11

Replacement Parts

Replacement Parts	12
Replacement Parts List	13

Options

Bay Window Installation	14
Louvre Face Installation	14
Louvre Removal	14
Direct (Hard) Wiring	15
Warranty	16

Installation Instructions

General Information

1. Read all instructions before using this appliance.
 2. This appliance is hot when in use. To avoid burns, do not let bare skin touch hot surfaces. If provided, use handles when moving this appliance. Keep combustible materials, such as furniture, pillows, bedding, papers, clothes, and curtains at least 3 feet (1 m) from the front of this appliance.
- CAUTION:** Extreme caution is necessary when any heater is used by or near children or invalids, and whenever the heater is left operating and unattended.
3. If possible, always unplug this appliance when not in use.
 4. Do not operate any heater with a damaged cord or plug, or after the appliance malfunctions, or if it has been dropped or damaged in any manner.
 5. Any repairs to this fireplace should be carried out by a qualified service person.
 6. Under no circumstances should this fireplace be modified. Parts having to be removed for servicing must be replaced prior to operating this fireplace again.
 7. Do not use outdoors.
 8. This heater is not intended for use in bathrooms, laundry areas and similar indoor locations. Never locate this appliance where it may fall into a bathtub or other water container.
 9. Do not run cord under carpeting. Do not cover cord with throw rugs, runners or the like. Arrange cord away from traffic areas and where it will not be tripped over.
 10. To disconnect this appliance, turn controls to the off position, then remove plug from outlet.
 11. Connect to properly grounded outlets only.
 12. This appliance, when installed, must be electrically grounded in accordance with local codes; or, in the absence of local codes, with the current CSA C22.1 Canadian Electrical Code; or, for U.S.A. installations, follow local codes and the National Electrical Code, ANSI/NFPA NO. 70.
 13. Do not insert or allow foreign objects to enter any ventilation or exhaust opening, as this may cause an electric shock or fire, or damage the appliance.
 14. To prevent a possible fire, do not block air intakes or exhaust in any manner. Do not use on soft surfaces, like a bed, where openings may become blocked.

15. This appliance has hot and arcing or sparking parts inside. Do not use it in areas where gasoline, paint or flammable liquids are used or stored. This fireplace should not be used as a drying rack for clothing, nor should Christmas stockings or decorations be hung in the area of it.
16. Use this appliance only as described in this manual. Any other use not recommended by the manufacturer may cause fire, electric shock or injury to persons.
17. Avoid the use of an extension cord because the extension cord may overheat and cause a risk of fire. However, if you have to use an extension cord, the cord shall be No. 14 AWG minimum size and rated not less than 1875 Watts. The extension cord must be a three wire cord with grounding type plug and cord connection. The extension cord shall not be more than 20 feet in length.
18. **SAVE THESE INSTRUCTIONS.**

Locating Your Electric Fireplace

Your new fireplace may be installed into an existing masonry or zero clearance fireplace. It may also be installed using a prefabricated cabinet available from your dealer or be built into a wall.

When choosing a location for your new fireplace, ensure that the general instructions are followed. For best effect install the fireplace out of direct sunlight.

Clearance to Combustibles

Sides	0 mm	0 inches
Floor	0 mm	0 inches
Top	0 mm	0 inches

Hearth

A hearth is not mandatory; however, for aesthetic purposes, it is recommended you use a noncombustible hearth which does not obstruct louvre opening.



Cold climate installation recommendation:
When installing this unit against a non-insulated exterior wall or chase, it is mandatory that the outer walls be insulated to conform to applicable insulation codes.

Cabinet Installations

Cabinets are available from your dealer which allow for fast, convenient installation of your fireplace against existing walls.

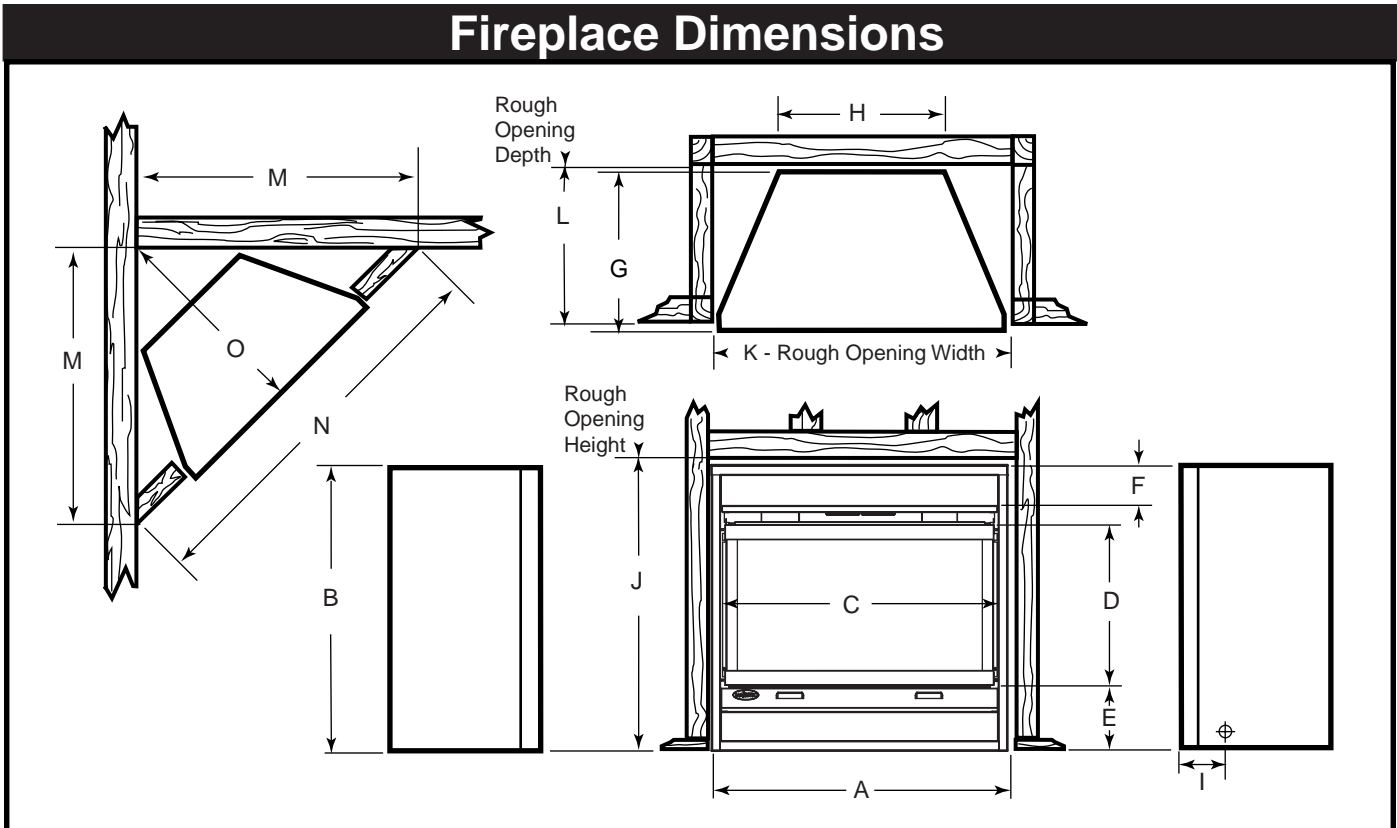


Fig. 1 Fireplace specifications and framing dimensions

Ref.	DEF33	DEF36
A	33" (838 mm)	36" (914 mm)
B	28 ⁷ / ₈ " (733 mm)	34 ¹ / ₄ " (870 mm)
C	31" (787 mm)	33" (838 mm)
D	16 ³ / ₈ " (416 mm)	21" (533 mm)
E	6 ²⁷ / ₆₄ " (163 mm)	6 ²⁷ / ₆₄ " (163 mm)
F	4" (102 mm)	5 ³ / ₈ " (137 mm)
G	11 ¹ / ₂ " (292 mm)	14" (356 mm)
H	22 ¹ / ₁₆ " (560 mm)	22 ¹ / ₈ " (562 mm)
I	3" (76 mm)	3 ³ / ₄ " (95 mm)
Framing Dimensions		
J	29 ⁵ / ₈ " (752 mm)	34 ¹ / ₂ " (876 mm)
K	33 ¹ / ₂ " (851 mm)	36 ¹ / ₂ " (927 mm)
L	12" (305 mm)	14 ¹ / ₂ " (362 mm)
M	36" (914 mm)	36" (914 mm)
N	51" (1295 mm)	51" (1295 mm)
O	25 ¹ / ₂ " (648 mm)	25 ¹ / ₂ " (648 mm)

Electrical Specifications

Voltage: 120VAC, 60Hz
Total Amps: 12.5 Amps
Total Watts: 1500 Watts
Heater Rating: 1300 Watts

Mantels

The height that a combustible mantel is fitted above the fireplace is dependent on the depth of the mantel. This also applies to the distance between the mantel leg (if fitted) and the fireplace.

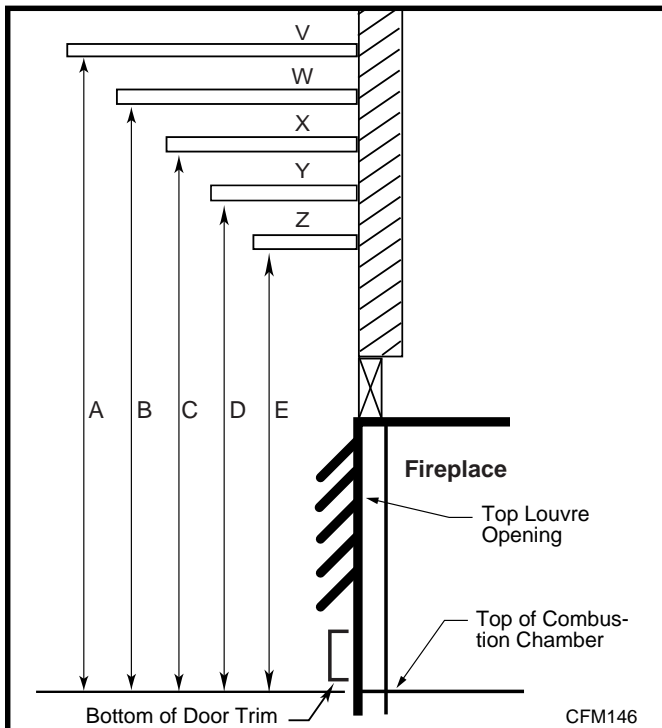
For the correct mounting height and widths, refer to Figures 2a, 2b and the Mantel Chart below.

The distances and reference points are not affected by the fitting of a bay window front trim kit.

Noncombustible mantels and legs may be installed at any height and width around the appliance.



When using paint or lacquer to finish the mantel, such paint or lacquer must be heat resistant to prevent discoloration.



Mantel Chart

Ref.	Mantel Shelf or Breast Plate Depth	Ref.	Mantel from Top of Comb. Chamber	
			DEF33	DEF36
V	10" (254 mm)	A	17" (432 mm)	19" (483 mm)
W	8" (203 mm)	B	15" (381 mm)	17" (432 mm)
X	6" (152 mm)	C	13" (330 mm)	15" (381 mm)
Y	4" (101 mm)	D	11" (279 mm)	13" (330 mm)
Z	2" (50 mm)	E	9" (229 mm)	11" (279 mm)

Fig. 2a Combustible mantel minimum installation

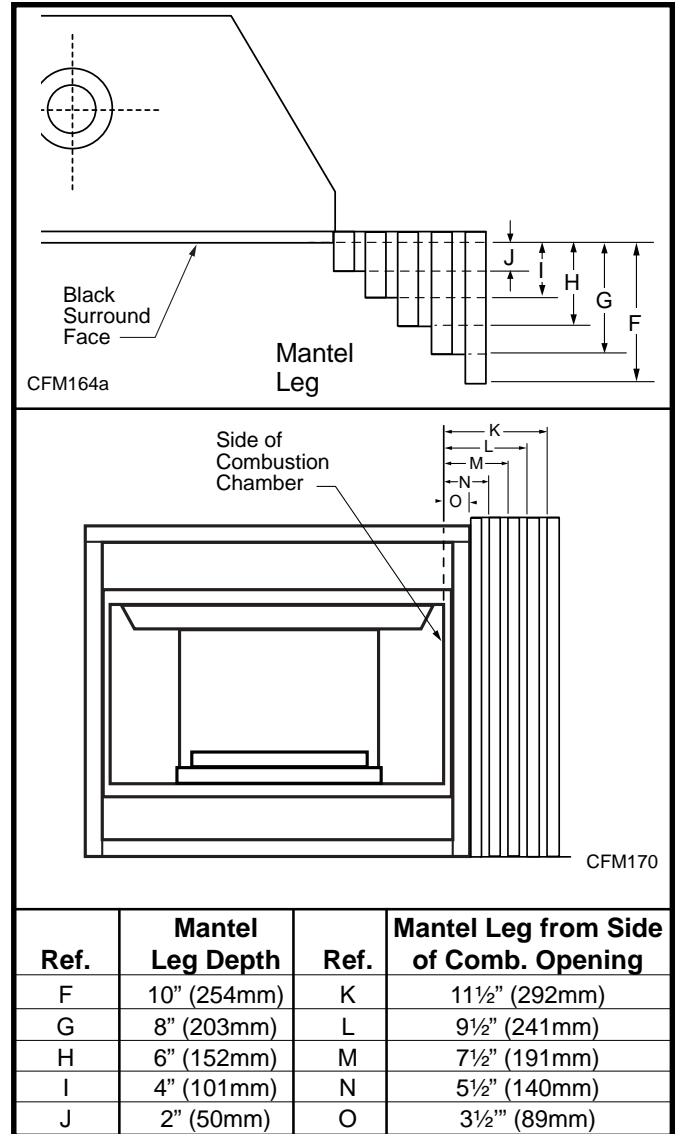


Fig. 2b Combustible mantel leg minimum installation

Ref.	Mantel Leg Depth	Ref.	Mantel Leg from Side of Comb. Opening
F	10" (254mm)	K	11½" (292mm)
G	8" (203mm)	L	9½" (241mm)
H	6" (152mm)	M	7½" (191mm)
I	4" (101mm)	N	5½" (140mm)
J	2" (50mm)	O	3½" (89mm)

Framing and Finishing

1. Choose fireplace location.
2. Place fireplace into position.
3. Frame in fireplace with a header across the top. It is important to allow for finished face when setting the depth of the frame.
4. Attach fireplace to frame using adjustable frame drywall strips (Fig. 3). Preset depth to suit facing material—adjustable to 1/2", 5/8" or 3/4" depths (Fig. 3).
5. Screw through slotted holes in drywall strip, then screw into pre-drilled holes on fireplace side. Measure from face of fireplace to face of drywall strip to confirm the final depth (Fig. 3).

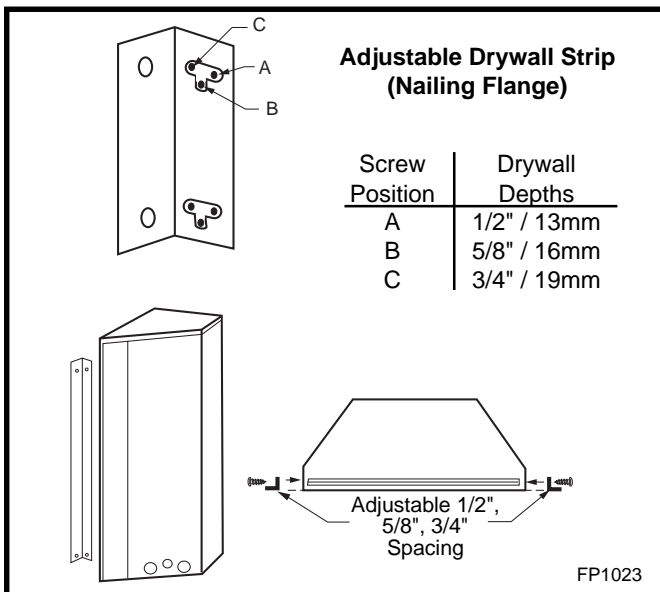


Fig. 3 Adjustable drywall strip (nailing flanges)

Electrical Connection

A 15 AMP, 120 Volt, 60 Hz circuit with a properly grounded outlet is required. Preferably, the fireplace will be on a dedicated circuit as other appliances on the same circuit may cause the circuit breaker to trip or the fuse to blow when the heater is in operation. The unit comes standard with a 6 ft. (1828mm) long three wire cord, exiting the right side of the fireplace. Plan the installation to avoid the use of an extension cord. If an extension cord is used, it must be minimum 14 AWG, three-wire with grounding type plug and connector, rated not less than 1875 Watts. This extension cord shall not be more than 20 feet (508 mm) in length.

If permitted by local codes, a new electrical outlet may be installed inside the frame construction.



Electrical outlet wiring must comply with local building codes and other applicable regulations to reduce the risk of fire, electrical shock and injury to persons.



Do not use this fireplace if any part of it has been under water. Immediately call a qualified service technician to inspect the fireplace and to replace any part of the electrical system which has been under water.

Hard (Direct) Wire Connection

If desired, a qualified electrician may remove the cord connection and wire this unit directly to the household wiring. See page 15.



Any electrical rewiring of this appliance must be done by a qualified electrician. This wiring must be done in accordance with local codes and/or in Canada with the current CSA C22.1 Canadian Electrical code, and for U.S.A. installation, National Electrical Code ANSI/NFPA N° 70.



WARNING: This fireplace comes with a manual circuit breaker reset beside the ON/OFF switch. In case the fireplace is not operating, check the circuit breaker and reset the button at the breaker. If the fireplace is still not operating, immediately call a qualified service technician to inspect the fireplace.

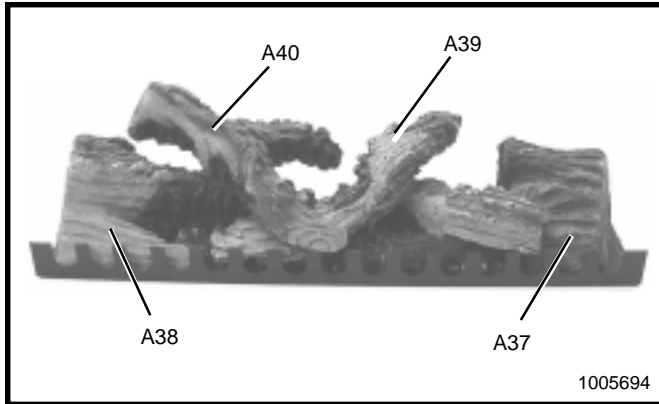


Fig. 4 DEF33/DEFD33 Logset

Installation of DEF33 Logs

Refer to Figure 4.

1. Turn off power to the unit.
2. Remove front glass (See "Glass Removal" section), or open front doors.
3. Remove logs from packaging.
4. The ember lava rock is shipped in place; no adjustment is necessary.
5. Fit the log right (A37) onto plate log support. Ensure the bottom holes of the log are located on the two pins of the support.
6. Fit the log left (A38) onto plate log support. Ensure the bottom holes of the log are located on the two pins of the support.
7. Place the log center (A39) on ember lava rock. Use the notches under the log center to properly locate the log. The top of this log sets on the log right.
8. Place the log left top (A40) in position by resting the hole under the center of this log over the knob on the log left, and the front of log sets on the log center and against the back wall of plate log support.

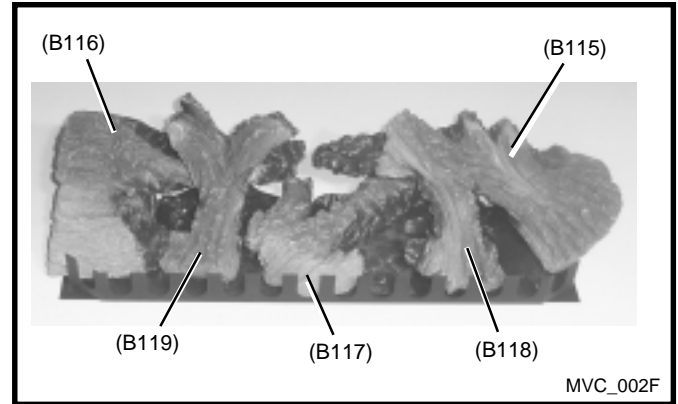


Fig. 5 DEF36/DEFD36 Logset

Installation of DEF36 Logs

Refer to Figure 5.

1. Turn off power to the unit.
2. Remove front glass (See "Glass Removal" section), or open front doors.
3. Remove logs from packaging.
4. The ember lava rock is shipped in place; no adjustment is necessary.
5. Place the center log (B117) on the ember lava rock. Use the notches under the log center to have a proper location.
6. Place the right log (B115) onto the plate log support. Ensure the bottom of the log sets against the side wall of plate log support, and the top of the log sets on the log center.
7. Place the left log (B116) onto the plate log support. Ensure the side of the log sets against the side wall of plate log support and the back of the log sets against the tinted light screen.
8. Place the crossover left log (B119) in position by resting the top of the log on the log left. The other end of the log sets against the back wall of the plate log support.
9. Place the crossover right log (B118) in position by resting the top of the log on the log right. The other end of the log sets against the back wall of the plate log support.

Service Instructions



Disconnect power before attempting any maintenance or cleaning to reduce the risk of fire, electrical shock or personal injury.

Glass Frame Removal

NOTE: Applicable only to units with fixed glass door.

1. Turn off electrical supply to unit.
2. Let fireplace cool if it has been operating.
3. Open access panel Radiant.
4. Remove two door retention screws along lower sides edge of door frame.
5. Swing lower portion of door out from the fireplace and gently lift up to disengage top of door from fireplace (Fig. 6).
6. To reinstall glass door, follow the above procedure in reverse.

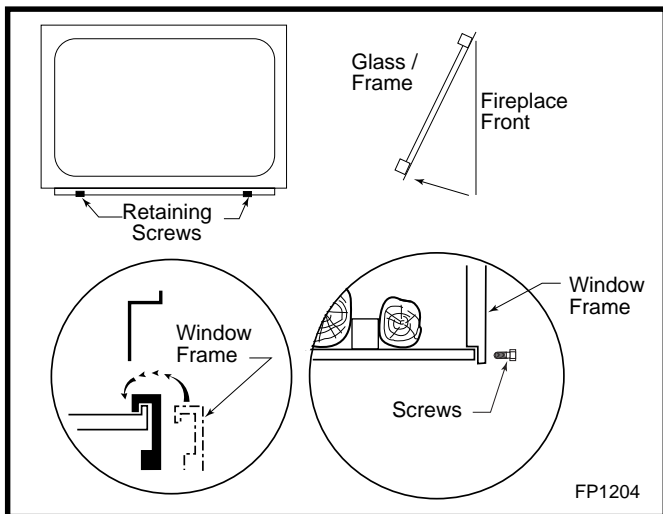


Fig. 6 Window frame assembly removal

Glass Information

1. Under no circumstances is this product to be operated with missing or broken glass.
2. Do not strike or slam the glass.
3. Do not use abrasive cleaners to clean the glass.
4. Tempered glass is used in this product. A qualified service person must perform replacement of the glass with gasket, as supplied by the manufacturer.

Replacing Light Bulbs

This fireplace uses three (3) clear 120 Volt, 60 Watt, E-12 socket base light bulbs (small base, chandelier candle type). These lights are located under the ember bed of the unit. For convenience, if one of the bulbs burns out, it may be prudent to replace all of the light bulbs.



Do not exceed 60 Watts per bulb. Use of higher rated bulbs may result in a fire, causing property damage, personal injury or loss of life.

1. Turn off power to the unit.
2. Allow fireplace to cool if it has been operating.
3. Remove glass door (refer to "Glass Frame Removal" section), or open glass doors.
4. Remove the four (4) screws securing the ember bed in position. Two screws (2) are located on either side of the ember bed near the front.
5. Examine the bulbs to determine which bulbs need to be replaced.
6. Hold the socket steady while unscrewing the defective bulb(s).
7. Install the new light bulb(s); hold the socket steady while screwing in.
8. Reinstall ember bed, log set, and glass door.

Cleaning Brass Trim

Clean the brass trim using a soft cloth, slightly dampened with lemon oil, then buff with a clean soft cloth. Do NOT use brass polish or household cleaners, as these products will damage the brass trim. Lemon oil can be obtained at supermarkets or hardware stores.

Maintenance of Motors

The motors used on the fan and the drum assembly are prelubricated for extended bearing life, and require no further lubrication. However, periodic cleaning/vacuuming of the fan/heater is recommended.



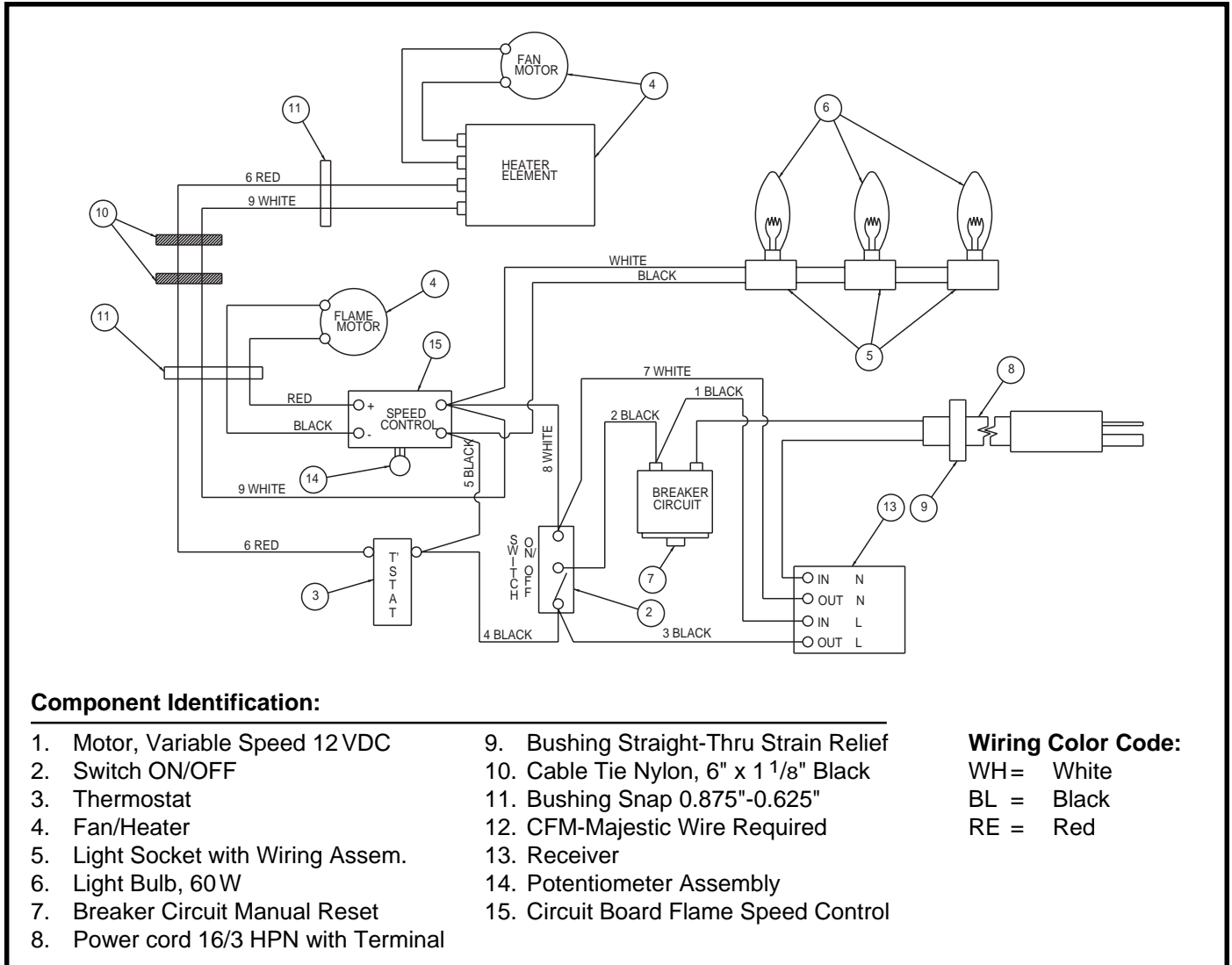
Make sure that the power is turned OFF before proceeding.

Electrical Wiring Diagram with Integral Remote Control

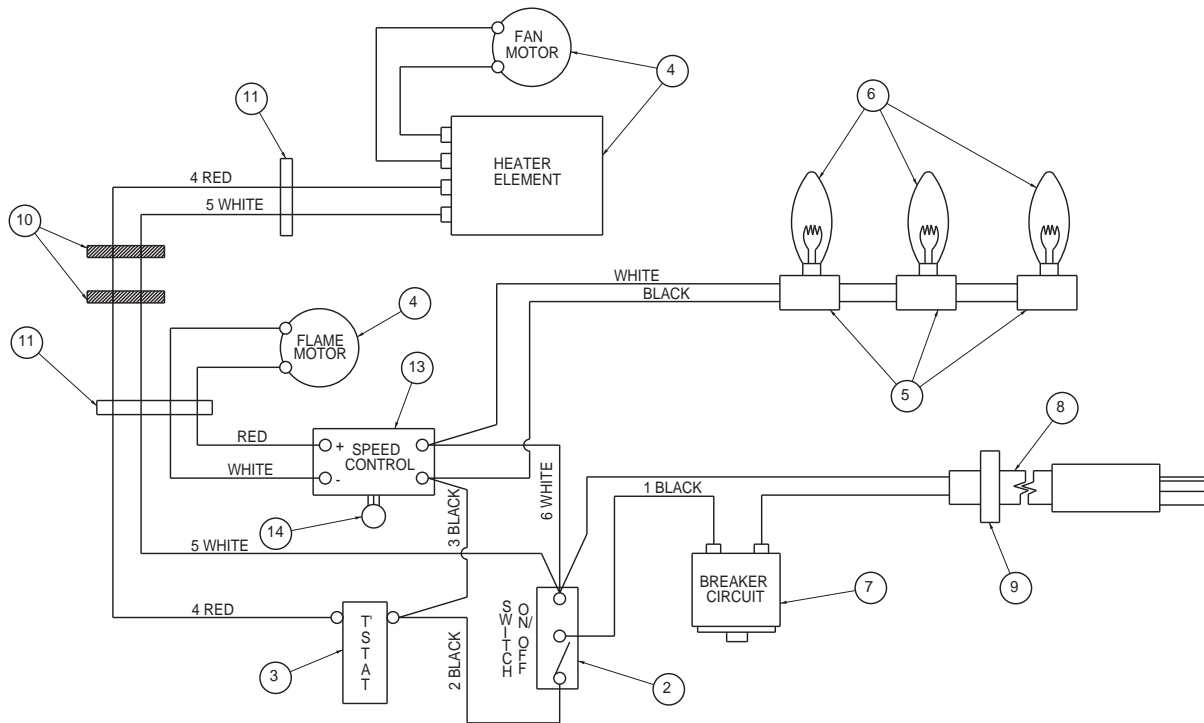
Any electrical repairs or rewiring of this unit should be carried out by a licensed electrician in accordance with national and local codes.



If repairing or replacing any electrical component or wiring, the original wire routing, color coding and securing locations must be followed.



Electrical Wiring Diagram without Integral Remote Control



Component Identification:

- | | |
|---|---|
| <ol style="list-style-type: none"> 1. Motor, Variable Speed 12VDC 2. Switch ON/OFF 3. Thermostat 4. Fan/Heater 5. Light Socket with Wiring Assem. 6. Light Bulb, 60W 7. Breaker Circuit Manual Reset 8. Power cord 16/3 HPN with Terminal | <ol style="list-style-type: none"> 9. Bushing Straight-Thru Strain Relief 10. Cable Tie Nylon, 6" x 1 1/8" Black 11. Bushing Snap 0.875"-0.625" 12. CFM-Majestic Wire Required 13. Circuit Board Flame Speed Control 14. Potentiometer Assem. |
|---|---|

Wiring Color Code:

- WH = White
 BL = Black
 RE = Red

Ceramic Refractory Installation

1. Remove fixed glass door assembly or open glass doors.
2. Remove two screws found on the top of firebox behind firebox deflector. Attach adjustable brackets packed with refractory.
3. Slide refractory side panels on the firebox bottom and behind side bracket and adjust, fitting the ceramic tight to the side of firebox (Fig. 7). Tighten screws.
4. Reinstall fixed glass door assembly or close glass doors.

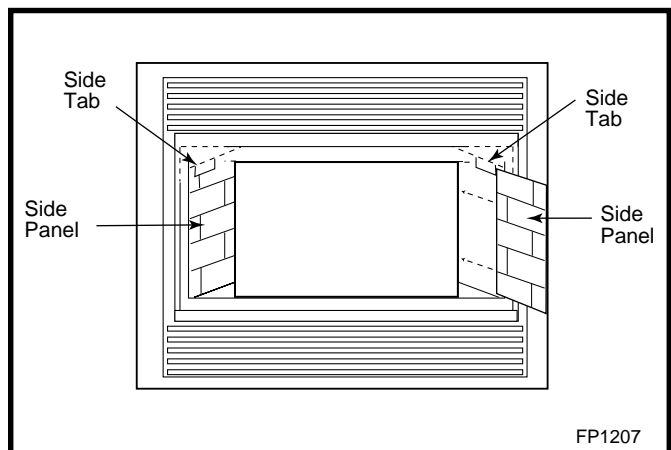


Fig. 7 Ceramic refractory installation

FP1207

Operating Instructions

The control compartment is located behind the panel access Radiant. To access the controls, simply flip down the panel access Radiant. Refer to Fig. 8, below, to locate the position of each control.

1. Main ON/OFF Switch

The ON/OFF switch supplies power to all functions of the fireplace. This is an illuminated switch that normally lights up when in the ON or OFF position.



During any service of this appliance, the power to the unit must be turned off. It is not acceptable to use the ON/OFF switch to meet this requirement.

2. Heater Control

The Heater Control acts to turn the heater ON and OFF as well as setting the comfort level in the room. Turning the knob clockwise from the OFF position will place the heater into operation. The further the knob is rotated clockwise, the higher the set point temperature. Turning the knob counter-clockwise will lower the set point temperature. Turning it all the way counter-clockwise will turn the heater function OFF.

3. Flame Speed Control

Turn the flame speed control knob to increase or decrease the flame speed as desired.

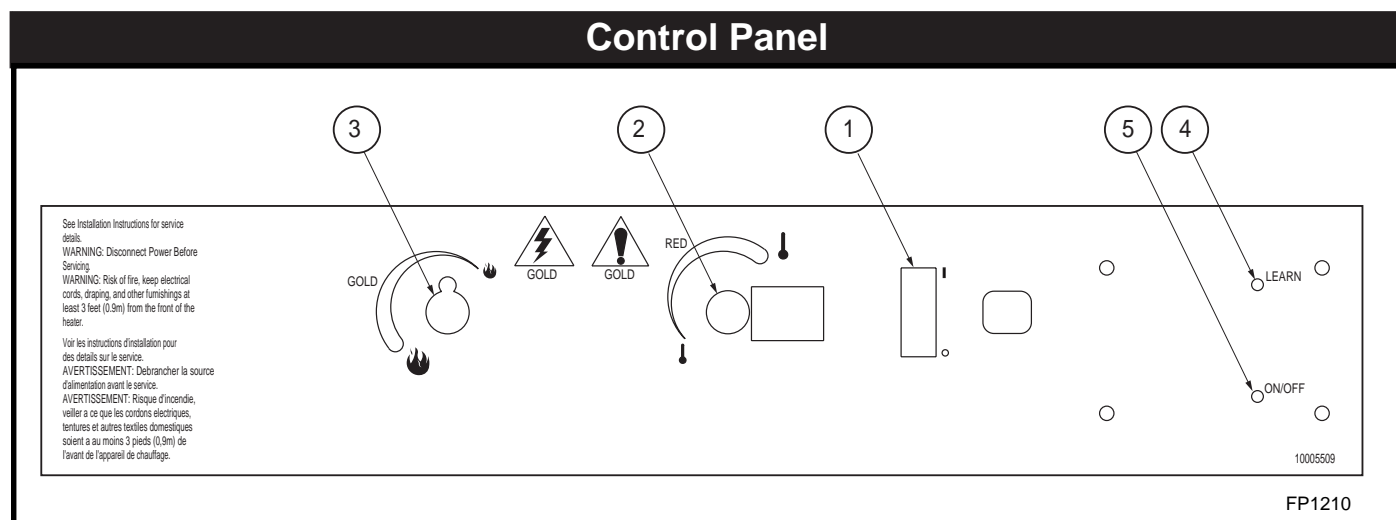


Fig. 8 Control panel

4. Re-learn

This model fireplace with integral remote control has a preprogrammed, matched-pair Receiver/Transmitter already set with randomly-selected house codes. It is highly unlikely that the fireplace code will ever need to be re-learned. If the fireplace needs to re-learn Receiver/Transmitter house codes, perform the following steps:

1. Be sure there is power to the fireplace.
2. Be sure there is a good battery in the Transmitter (hand-held remote).
3. Open the battery compartment of the remote.
4. Press and release the small button located in the top left corner. This will randomly select a new house code in the remote Transmitter.
5. Close the remote Transmitter battery compartment.

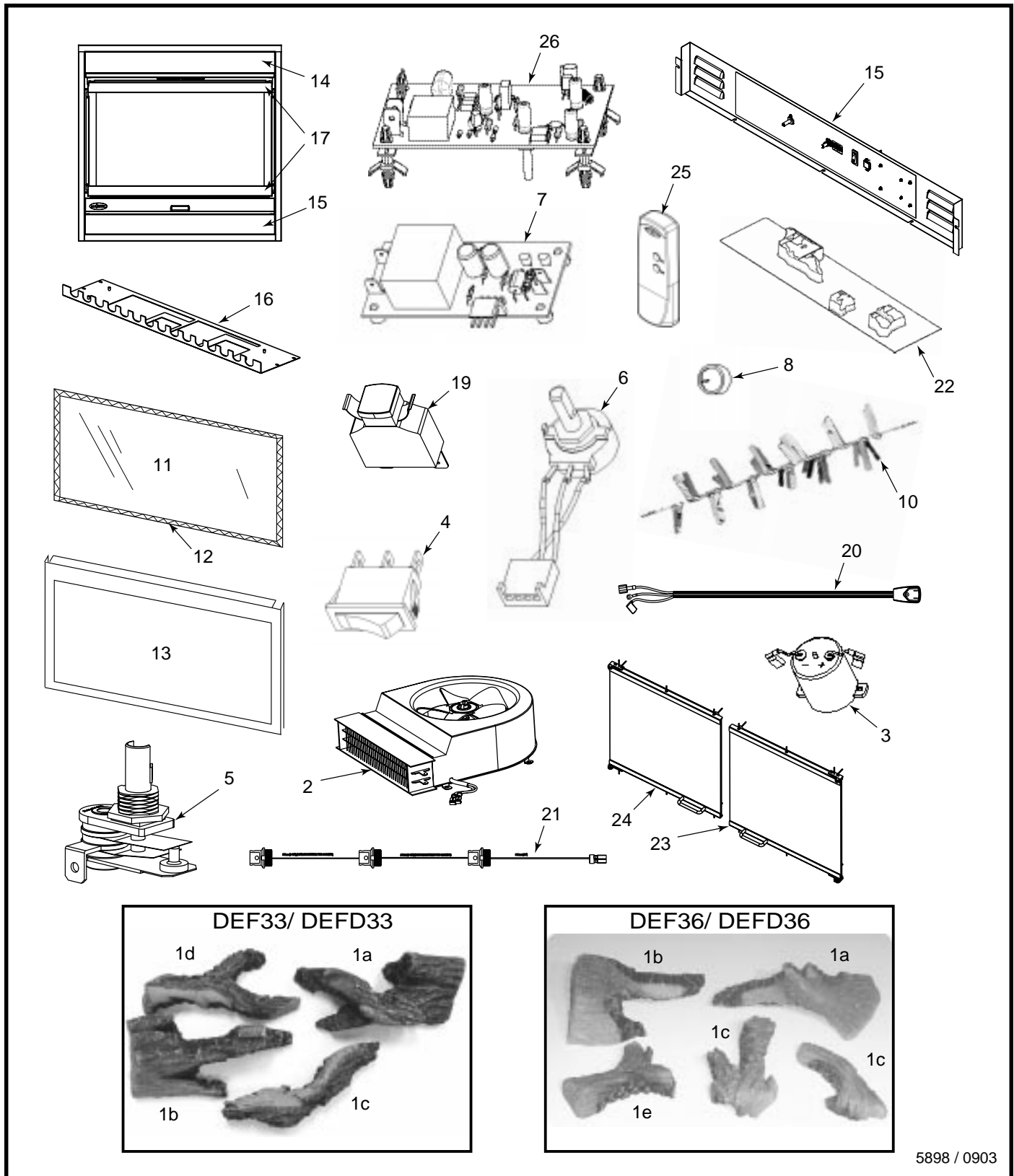
6. Press either the ON or OFF button on the Remote Transmitter, and the Learn button on the fireplace at the same time. The fireplace is now ready to accept commands from the remote Transmitter.

5. ON/OFF

The ON/OFF button on the fireplace (below the Learn button) is to turn the fireplace ON and OFF when the battery in remote Transmitter is weak, or to manually operate the fireplace without the remote Transmitter.

NOTE: The device complies with Part 15 of the FCC Rules. Operation is subject to the following two conditions:

1. This device may not cause harmful interference, and;
2. This device must accept any interference received, including interference that may cause undesired operation.



5898 / 0903

Vermont Castings, Majestic Products reserves the right to make changes in design, materials, specifications, prices and discontinue colors and products at any time, without notice.

DEF33/36; DEFD33/36 Electric Fireplace

DEF33/36; DEFD33/36 Electric Fireplace *(continued)*

	Description	DEF33	DEFD33	DEF36	DEFD36
1.	Log Set Complete	10005694	10005694	10006091	10006091
1a.	Log	10005690 (A37)	10005690 (A37)	10006086 (B115)	10006086 (B115)
1b.	Log	10005691 (A38)	10005691 (A38)	10006087 (B116)	10006087 (B116)
1c.	Log	10005692 (A39)	10005692 (A39)	10006088 (B117)	10006088 (B117)
1d.	Log	10005693 (A40)	10005693 (A40)	10006089 (B118)	10006089 (B118)
1e.	Log	—	—	10006090 (B119)	10006090 (B119)
2.	Fan/ Heater	10004198	10004198	10004198	10004198
3.	Motor 12VDCFlame Generator	10001978	10001978	10001978	10001978
4.	ON/ OFF Switch (Illuminated)	10001393	10001393	10001393	10001393
5.	Thermostat - Heater Control	10004199	10004199	10004199	10004199
6.	Potentiometer – Flame Speed Control	10001168	10001168	10001168	10001168
7.	Circuit Board – Flame Speed Control	10001589	10001589	10001589	10001589
8.	Knob – Flame Speed, Heater Controls & Potentiometer	10001639	10001639	10001639	10001639
9.	Screen, Tinted Plastic (Not shown)	10005518	10005518	10005954	10005954
10.	Flame Generator Assembly	10003350	10003350	10003350	10003350
11.	Glass with Gasket 4W-25	10005529	—	10005937	—
12.	Gasket Glass	10001882	—	10001882	—
13.	Frame Window	10003432	—	10003352	—
14.	Panel Radiant Assembly Top	10004391	10004391	10004484	10004484
15.	Panel Access Radiant Assembly	10005515	10005515	10005934	10005934
16.	Plate Support Log Set Assembly	10005695	10005695	10005956	10005956
17.	Trim-Frame Window (PB) (with 2 Magnets)	55005	—	57480	—
18.	Facia Control System	10005683	10005510	10005929	10005931
19.	Breaker Circuit Manual Reset	10003093	10003093	10003093	10003093
20.	Card Power 16/3 HPN with Terminals	10003095	10003095	10003095	10003095
21.	Socket Light Bulb Lower Assembly	10003127	10003127	10003127	10003127
22.	Ember Lava Rock	10005570	10005570	10005955	10005955
23.	Door with Glass Right Assembly	—	10005679	—	10005952
24.	Door with Glass Left Assembly	—	10005680	—	10005953
25.	Transmitter	—	10005140	—	10005140
26.	Receiver	—	10005141	—	10005141
27.	CFM-Majestic Wire Req'd. (not shown)	10005662	10005569	10005935	10005936

Bay Window Installation

CAUTION: Remove all plastic from brass trims.

Do not remove existing frame window assembly.

1. Remove existing bottom louvre and hinges from fireplace, if the fireplace has been installed with louvres. (Set aside the four [4] screws).
2. Remove existing top louvre from fireplace by lifting up and pulling out, if the fireplace has been installed with louvres. If the fireplace was installed with the Radiant face, move to step 3.
3. Hang Bay Window unit over existing glass frame.
4. Reinstall upper louvre assembly.
5. Bottom brass trim is removable when fireplace is installed with marble or tile surround which covers the fireplace bottom.

Louvre Face Installation

1. Remove the top radiant face by removing the two screws securing it in position; one screw is located on each side of the top radiant face at the bottom front.
2. Remove the deflector cabinet top from the top radiant face. (Save the screws and deflector cabinet top to reinstall into the top Radiant panel.)
3. Open the access Radiant face door, then remove the bottom radiant face by removing three (3) screws securing it in position. One screw is located on each side of, and at the center of, the bottom radiant face at the top front.
4. Reinstall the deflector cabinet top fasteners in the pre-punched screw holes in the bottom of the fireplace cabinet top.
5. Install bracket louvre top fasteners into the prepunched screw holes in the cabinet bottom.
6. Install hinge fasteners in the prepunched screw holes at the front of the fireplace cabinet base.
7. Install the bottom louvre by aligning the prepunched hinge holes with the pre-punched louvre bracket holes; fasten securely with screws
8. Install the top louvre by pushing it down into the slot of the bracket louvre; refer to step 5.

Louvre Removal

To remove top louvre, pull the louvre up and then lift it out (Fig. 9).

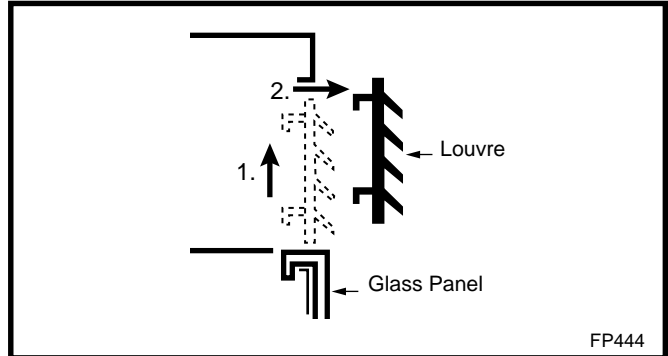


Fig. 9 Remove louvre assembly.

Direct (Hard) Wiring Electric Fireplace Models DEF33/ DEF36/ DEF36S2

WARNING: This procedure must be conducted by a qualified electrician, in accordance with National and local codes. In the U.S.A., the installation must conform to the National Electrical Code, ANSI/NFPA No. 70. In Canada, the installation must conform to the current CSA C22.1 Canadian Electrical Code.

WARNING: Make sure the power to the unit is off, and the power cord is unplugged from the wall outlet before proceeding with this conversion. Failure to do so may result in property damage, personal injury or loss of life.

This instruction is intended as a guide for replacing the power cord supplied with Models HEF33/DEF33/DEF36/DEF36S2 electric fireplace with direct (hard) wiring.

NOTE: When direct wiring this appliance, it must be connected to a 15 Amp dedicated circuit breaker or fuse in the electrical panel of the dwelling. The cable between the circuit/fuse panel and the fireplace must meet all local and national codes, and in no case shall the wires be less than 14 gauge.

1. Make sure the power to the unit has been turned off, the power cord is unplugged from the wall outlet and the unit has cooled down if it has been operating.
2. Lower the bottom louvre panel to expose the control panel.
3. Using a phillips screwdriver, remove the two screws on the side tabs of the control panel that secure the panel to the cabinet.
4. Grasp the tabs on the control panel and gently lean the top of the panel towards you while lifting it up until the locking tabs on the bottom of the control panel are disengaged from the bottom of the unit. Lay the control panel face down on top of the louvre panel. Do not force the panel, as this may result in wires being disconnected from their controls.
5. Locate where the power cord enters the control compartment on the right hand side of the unit. Using wire cutters, cut the power cord within three inches (75 mm) of the point where it exits the cabinet.
6. Carefully separate the three wires of the power cord into separate wires by gently pulling them apart. DO NOT use a knife, as this may expose bare conductor. The hot wire is connected to the circuit breaker. The neutral wire is connected to the rocker switch and the green ground wire is attached to a ground stud on the rear panel of the control compartment.
7. Using wire strippers, strip approximately $\frac{5}{8}$ " (15 mm) from the ends of the hot and neutral wires.
8. Using a wrench, remove the #10-24 hex nut from the ground stud where the green wire from the power cord is attached. Remove and discard the green wire. Reinstall the nut but do not tighten yet.
9. Standing on the right side of the unit, locate the power cord where it exits the cabinet. Using pliers, gently cut and remove the power cord. Dispose of the power cord.
10. Using a slotted screwdriver, remove the $\frac{7}{8}$ " (22 mm) diameter knockout from the right hand side of the cabinet below where the strain relief was located.
11. Route the electrical cable from the breaker/fuse panel through the $\frac{7}{8}$ " (22 mm) diameter hole and secure to the cabinet using an approved clamp. The power wires should extend approximately 6" (152 mm) into the control compartment.

WARNING: Make sure the power to the power cable has been turned off at the breaker/fuse panel of the residence before proceeding.

12. Connect the ground wire from the power cable by wrapping it around the ground stud of the unit and securing it using the #10-24 nut.
13. Using a wire nut, connect the hot lead (black), of the power cable to the power cord wire leading to the circuit breaker on the control panel. Similarly, connect the neutral wire (white), of the power cable to the power cord wire leading to the rocker switch, using a wire nut. It is recommended that the wire nuts be taped to the wires, using electrical tape, as an extra safety measure.
14. Visually check that none of the wires in the control compartment have been dislodged from the controls. If they have, use the wiring diagram on the unit or in the instruction manual to replace them in their proper location.
15. Reinstall the control panel and secure it using the screws removed in step 3. Make sure that wires do not become pinched when replacing the panel.
16. Make sure that the rocker switch on the control panel is in the off position. Turn the power to the unit on at the breaker/fuse panel. Place the unit into operation and check to make sure that all of the systems are working properly.

1 YEAR WARRANTY

For Vermont Castings, Majestic Products Electric Fireplace Models

BASIC WARRANTY:

Vermont Castings, Majestic Products (hereinafter referred to collectively as the "Company") warrants that your new Vermont Castings, Majestic Products appliance is free from manufacturing and material defects

for a period of one year from date of installation, subject to the following conditions and limitations:

1. This new **Vermont Castings, Majestic Products** appliance must be installed by a competent, authorized service contractor. It must be installed and operated at all times in accordance with the Installation and Operating instructions furnished with the product. Any alteration, willful abuse, accident, or misuse of the product shall nullify this warranty.
2. This warranty is non-transferrable, and is made to the original owner, provided that the purchase was made through an authorized supplier of the Company.
3. This warranty is limited to the repair or replacement of part(s) found to be defective in material or workmanship, provided that such part(s) have been subjected to normal conditions of use and service, after said defect is confirmed by the Company's inspection.
4. **This warranty does not cover the lightbulb(s) included with the Vermont Castings, Majestic Products fireplace.**
5. The Company may, at its discretion, fully discharge all obligations with respect to this warranty by refunding the wholesale price of the defective part(s).
6. Any installation, labour, construction, transportation, or other related costs/expenses arising from defective part(s), repair, replacement, or otherwise of same, will not be covered by this warranty, nor shall the Company assume responsibility for same. Further, the Company will not be responsible for any incidental, indirect, or consequential damages, except as provided by law.
7. All other warranties—expressed or implied—with respect to the product, its components and accessories, or any obligations/liabilities on the part of the Company are hereby expressly excluded.
8. The Company neither assumes, nor authorizes any third party to assume, on its behalf, any other liabilities with respect to the sale of this **Vermont Castings, Majestic Products** appliance.
9. The warranties as outlined within this document do not apply to non **Vermont Castings, Majestic Products** accessories used in conjunction with the installation of this product.
10. **This warranty is void if:**
 - a) The fireplace has been operated in atmospheres contaminated by chlorine, fluorine or other damaging chemicals.
 - b) The fireplace is subjected to prolonged periods of damp-ness or condensation.
 - c) Any alteration, willful abuse, accident, or misuse of the product.

GLASS DOORS & BRASS PLATED PARTS...

- Glass doors are not warranted for breakage due to misuse or accident.
- Brass parts should be cleaned with lemon oil only. Brass cleaners cannot be used. Mortar mix and masonry cleaners may corrode the brass finish. The Company will not be responsible for, nor will it warrant any brass parts which are damaged by external chemicals.

IF WARRANTY SERVICE IS NEEDED...

- 1) Contact your supplier. Make sure you have your warranty, your sales receipt, and the model/serial number of your **Vermont Castings, Majestic Products** appliance.
- 2) **DO NOT ATTEMPT TO DO ANY SERVICE WORK YOURSELF.**

GARANTIE DE BASE:

Vermont Castings, Majestic Products (aux présentes nommée la "Société") garantit votre nouveau foyer électrique Vermont Castings, Majestic Products contre tous défauts de fabrication et de matières premières pour une période d'un an à compter de la date d'installation, sujet aux conditions et limitations suivantes.

1. Ce nouveau produit **Vermont Castings, Majestic Products** doit être installé par un entrepreneur de service autorisé et compétent. Il doit être installé et utilisé en tout temps selon les instructions d'installation et de fonctionnement fournies avec le produit. Toute altération, abus volontaire, accident ou mauvais usage du produit annulera cette garantie.
2. Cette garantie n'est pas transférable et est offerte à l'acheteur au détail d'origine, à condition que l'achat soit effectué par l'entremise d'un détaillant autorisé de la Société.
3. Cette garantie est limitée à la réparation ou au remplacement de(des) pièce(s) trouvée(s) défectueuse(s) en matières premières ou main-d'oeuvre, à condition que lesdites pièces aient été sujettes aux conditions normales d'usage et de service, après que ledit défaut a été confirmé par une inspection par la Société.
4. **Cette Garantie ne couvre pas les ampoules inclus dans le foyer électrique Vermont Castings, Majestic Products.**
5. La Société peut, à sa discrétion, se décharger entièrement de toutes obligations se rapportant à cette garantie en remboursant le prix de gros de la(des) pièce(s) défectueuse(s).
6. Tous les frais/dépenses d'installation, de main-d'oeuvre, de construction, de transport ou autres causés par une (des) pièce(s) défectueuse(s), une réparation, un remplacement ou autre, ne seront pas couverts sous cette garantie, et la Société n'assume aucune responsabilité pour ceux-ci. De plus, la Société ne pourra être tenue responsable pour tous dommages fortuits ou indirects sauf la ou prévu par la loi.
7. Toutes autres garanties, exprimées ou sous-entendues, en ce qui a trait au produit, ses composants et accessoires, ou toutes obligations/responsabilités de la part de la Société sont aux présentes expressément exclues.
8. La Société n'assume et n'autorise personne à assumer, en son nom, toutes responsabilités en ce qui a trait à la vente de ce produit Vermont Castings, Majestic Products.
9. Les garanties, telles que décrites dans ce document, ne s'appliquent accessoires non **Vermont Castings, Majestic Products** utilisés conjointement pour l'installation de ce produit.
10. **Cette garantie est nulle si:**
 - a) Le foyer a été utilisé dans une atmosphère contaminée par du chlore, du fluor ou tous autres produits chimiques.
 - b) Le foyer est assujéti à de longues périodes d'humidité ou de condensation.
 - c) Toute altération, abus volontaire, accident ou mauvais usage du produit annulera cette garantie.

PORTES EN VERRE & PIÈCES PLAQUÉES LAITON...

- Les portes en verre ne sont pas garanties contre le bris causé par un mauvais usage ou un accident.
- Les pièces en laiton devraient être nettoyées qu'avec de l'essence de citron. Les nettoyeurs de laiton ne peuvent pas être utilisés. La Société ne sera pas responsable pour, et ne garantit pas les pièces en laiton qui sont endommagées par de refoulement.

SI UN SERVICE SOUS GARANTIE EST REQUIS...

1. Communiquez avec votre détaillant. Assurez-vous que vous avez votre garantie, votre reçu de caisse ainsi que le numéro de modèle/série de votre produit **Vermont Castings, Majestic Products**.
2. **NE TENTEZ PAS D'EFFECTUER DES REPARATIONS VOUS-MEME.**

Vermont Castings, Majestic Products

410 Admiral Blvd. • Mississauga, Ontario, Canada L5T 2N6 • 905-670-7777
www.majesticproducts.com • www.vermontcastings.com

Free Manuals Download Website

<http://myh66.com>

<http://usermanuals.us>

<http://www.somanuals.com>

<http://www.4manuals.cc>

<http://www.manual-lib.com>

<http://www.404manual.com>

<http://www.luxmanual.com>

<http://aubethermostatmanual.com>

Golf course search by state

<http://golfingnear.com>

Email search by domain

<http://emailbydomain.com>

Auto manuals search

<http://auto.somanuals.com>

TV manuals search

<http://tv.somanuals.com>