

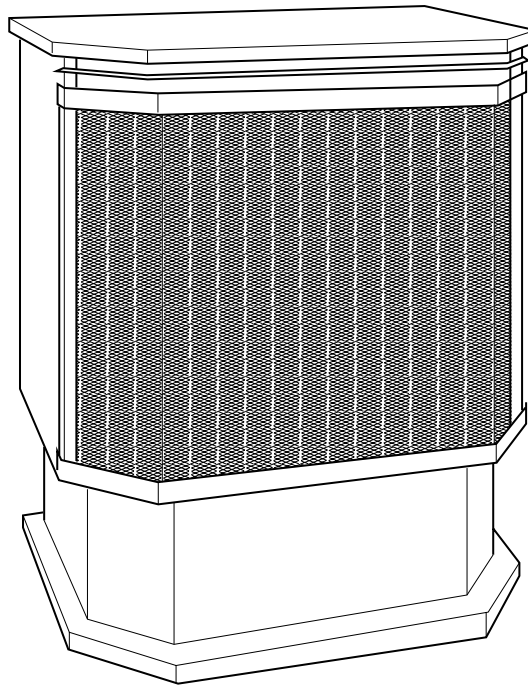
VANGUARD®

Unvented (Vent-Free) LogMate Stove

This stove may be installed in an aftermarket* manufactured (mobile) home, where not prohibited by state or local codes.

* Aftermarket: Completion of sale, not for purpose of resale, from the manufacturer (i.e. Installation of this product is permitted after the manufactured (mobile) home is sited).

OWNER'S OPERATION AND INSTALLATION MANUAL



SVFBC Circulating Stove

WARNING: If the information in this manual is not followed exactly, a fire or explosion may result causing property damage, personal injury, or loss of life.

- Do not store or use gasoline or other flammable vapors and liquids in the vicinity of this or any other appliance.
- **WHAT TO DO IF YOU SMELL GAS**
 - Do not try to light any appliance.
 - Do not touch any electrical switch; do not use any phone in your building.
 - Immediately call your gas supplier from a neighbor's phone. Follow the gas supplier's instructions.
 - If you cannot reach your gas supplier, call the fire department.
- Installation and service must be performed by a qualified installer, service agency, or the gas supplier.

WARNING: Improper installation, adjustment, alteration, service, or maintenance can cause injury or property damage. Refer to this manual for correct installation and operational procedures. For assistance or additional information consult a qualified installer, service agency, or the gas supplier.

WARNING: The SVFBC stove is to be used only with certain vent-free gas log heaters (see Table 1). Do not burn wood or other materials in this stove.

This is an unvented gas-fired heater. It uses air (oxygen) from the room in which it is installed. Provisions for adequate combustion and ventilation air must be provided. Refer to section *Air for Combustion and Ventilation*, page 6.

Save this manual for future reference.

CONTENTS

SECTION	PAGE
Safety Information	2
Product Specifications	4
Local Codes	5
Unpacking	5
Product Features	6
Locating Stove	6
Air for Combustion and Ventilation	6
Installing	10
Installation Clearances	10
Installing GA3700 Blower Accessory	11
Installing Log Heater in Stove	11
Technical Service	12
Replacement Parts	12
Accessories	12
Illustrated Parts Breakdown	13
Warranty Information	Back Cover

SAFETY INFORMATION

WARNINGS

IMPORTANT: Read this owner's manual carefully and completely before trying to assemble, operate, or service this stove. Improper use of this stove can cause serious injury or death from burns, fire, explosion, electrical shock, and carbon monoxide poisoning.

TABLE 1

For use with vent-free gas log heater models:

VANGUARD®		COMFORT FLAME®
VL18N	VYS18N	CF18N
VL18P	VYS18P	CF18P
VL18NT(A)	VYD18N	CF18NT(A)
VL18PT(A)	VYD18P	CF18PT(A)
VL18NV	VYBD18P	CF18PT(A)
VL18PV	VYBD18N	CFS18NV(B)
VS18NV(B)	VS18NT(A)	CFS18PV(B)
VS18PV(B)	VS18PT(A)	CFYS18N
		CFYS18P
		CFS18NTA
		CFS18PTA

SAFETY INFORMATION

Continued

WARNINGS *Continued*

WARNING: Any change to this heater or its controls can be dangerous.

1. This stove shall not be installed in a bedroom or bathroom.
2. Never install the stove
 - in a recreational vehicle
 - where curtains, furniture, clothing, or other flammable objects are less than 36 inches from the front, top, or sides of the stove
 - in high traffic areas
 - in windy or drafty areas
3. Do not use this stove as a wood-burning fireplace. Use only the logs specified in *Table 1*, page 2.
4. Do not add extra logs or ornaments such as pine cones, vermiculite, or rock wool. Using these added items can cause sooting.
5. You must operate this stove with the screen in place. Make sure the screen is in place before running stove.
6. Do not allow fans to blow directly into the stove. Avoid any drafts that alter burner flame patterns. Ceiling fans can create drafts that alter burner flame patterns. Altered burner patterns can cause sooting.
7. Do not use a blower insert, heat exchanger insert or other accessory not approved for use with this heater.
8. Vent-free gas log heaters installed in this stove require fresh air ventilation to run properly. See *Air for Combustion and Ventilation*, pages 6 through 9.
9. Do not run stove
 - where flammable liquids or vapors are used or stored
 - under dusty conditions
10. Do not use this stove to cook food or burn paper or other objects.
11. Never place any objects in the stove or on logs.
12. Stove front and screen becomes very hot when running the stove. Keep children and adults away from hot surfaces to avoid burns or clothing ignition. The stove will remain hot for a time after shut-down. Allow surfaces to cool before touching.
13. Carefully supervise young children when they are in the room with the stove.
14. Turn logs off and let cool before servicing. Only a qualified service person should service and repair the stove.
15. Operating the stove above elevations of 4,500 feet could cause pilot outage.
16. Installation and repair should be done by a qualified service person. The appliance should be inspected before use and at least annually by a professional service person. More frequent cleaning may be required due to excessive lint from carpeting, bedding material, etc. It is imperative that control compartments, burners and circulating air passageways of the appliance be kept clean.
17. Do not place clothing or other flammable material on or near the screen.

PRODUCT SPECIFICATIONS

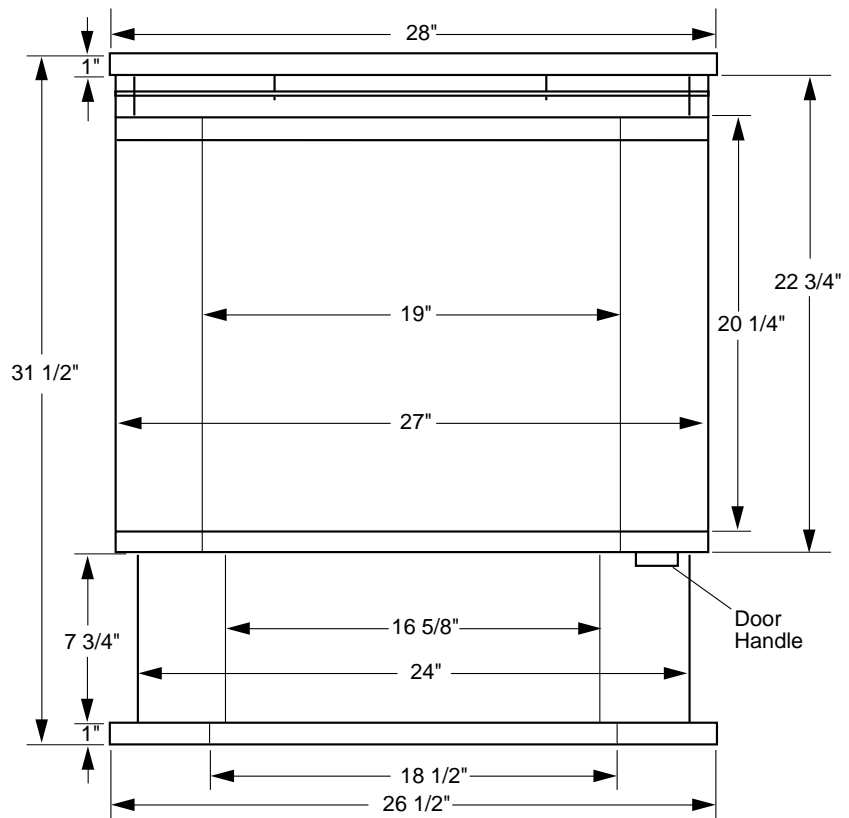


Figure 1 - Stove Front View

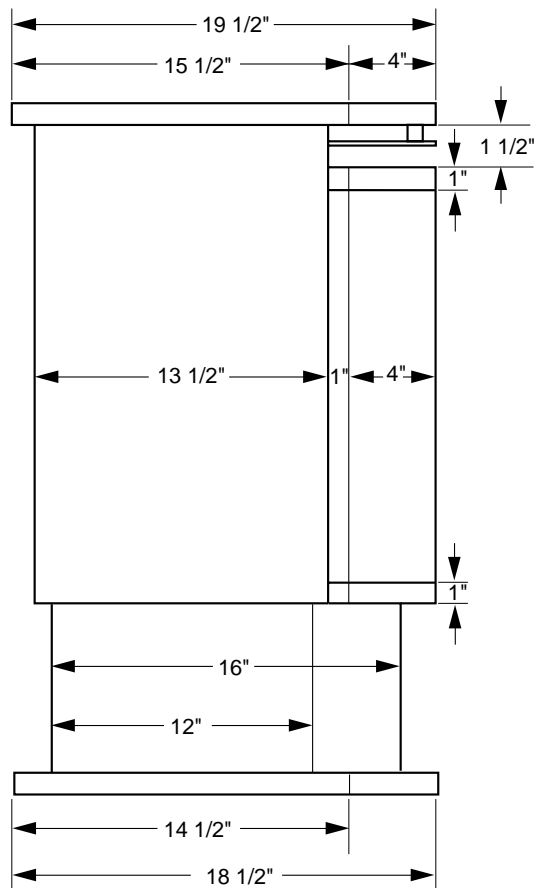


Figure 2 - Stove Side View

PRODUCT SPECIFICATIONS

Continued

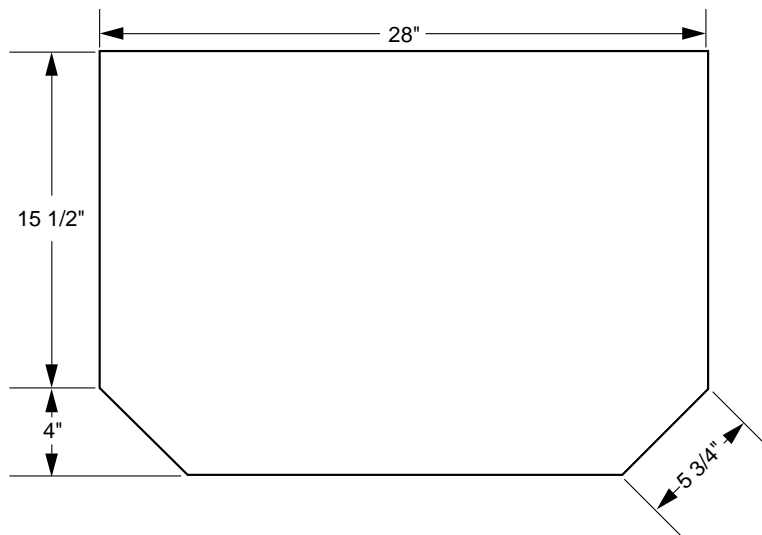


Figure 3 - Stove Top View

LOCAL CODES

Install and use stove with care. Follow all local codes. In the absence of local codes, use the latest edition of The National Fuel Gas Code ANSI Z223.1, also known as NFPA 54*.

*Available from:

American National Standards Institute, Inc.
1430 Broadway
New York, NY 10018

National Fire Protection Association, Inc.
Batterymarch Park
Quincy, MA 02269

UNPACKING

NOTICE

Keep stove upright when removing from carton. Never turn stove on its side.

1. Cut tape at top of carton. Remove stove by lifting it out of the top of carton.
2. Check carton contents for the following:
 - Stove
 - Touch-up paint

CAUTION

Before installing log set, remove protective film from brass trim on door. Failure to do so will result in soot and odors.

PRODUCT FEATURES

Operation

This stove is designed to accept all gas log heaters listed in *Table 1*, page 2. It requires no outside venting or chimney making installation easy and inexpensive. When used without the blower, the stove requires no electricity making it ideal for emergency back-up heat.

Blower Accessory

The stove will accept the GA3700 accessory. The variable blower allows you to select the fan speed you desire. The blower circulates heated air from the stove into the room. Use of blower is optional.

LOCATING STOVE

Planning

Plan where you will install the stove. This will save time and money later when you install the stove. Before installation, consider the following:

1. Where the stove will be located. Allow for wall and ceiling clearances (see *Installation Clearances*, page 10).
2. Everything needed to complete installation.
3. These models CANNOT be installed in a bedroom or bathroom.
4. Proper air for combustion and ventilation (see below).

AIR FOR COMBUSTION AND VENTILATION

This heater shall not be installed in a confined space or unusually tight construction unless provisions are provided for adequate combustion and ventilation air.

Read the following instructions to insure proper fresh air for this and other fuel-burning appliances in your home.

Today's homes are built more energy efficient than ever. New materials, increased insulation, and new construction methods help reduce heat loss in homes. Home owners weather strip and caulk around windows and doors to keep the cold air out and the warm air in. During heating months, home owners want their homes as airtight as possible.

While it is good to make your home energy efficient, your home needs to breathe. Fresh air must enter your home. All fuel-burning appliances need fresh air for proper combustion and ventilation.

Exhaust fans, stoves, clothes dryers, and fuel burning appliances draw air from the house to operate. You must provide adequate fresh air for these appliances. This will insure proper venting of vented fuel-burning appliances.

AIR FOR COMBUSTION AND VENTILATION

Continued

PROVIDING ADEQUATE VENTILATION

The following is excerpts from *National Fuel Gas Code. NFPA 54/ANSI Z223.1, Section 5.3, Air for Combustion and Ventilation.*

All spaces in homes fall into one of the three following ventilation classifications:

1. Unusually Tight Construction; 2. Unconfined Space; 3. Confined Space.

The information on pages 6 through 9 will help you classify your space and provide adequate ventilation.

Unusually Tight Construction

The air that leaks around doors and windows may provide enough fresh air for combustion and ventilation. However, in buildings of unusually tight construction, you must provide additional fresh air.

Unusually tight construction is defined as construction where:

- a. walls and ceilings exposed to the outside atmosphere have a continuous water vapor retarder with a rating of one perm or less with openings gasketed or sealed *and*
- b. weather stripping has been added on openable windows and doors *and*
- c. caulking or sealants are applied to areas such as joints around window and door frames, between sole plates and floors, between wall-ceiling joints, between wall panels, at penetrations for plumbing, electrical, and gas lines, and at other openings.

If your home meets all of the three criteria above, you must provide additional fresh air. See *Ventilation Air From Outdoors*, page 9.

If your home does not meet all of the three criteria above, proceed to page 8.

Confined and Unconfined Space

The National Fuel Gas Code (*ANSIZ2123.1, 1992 Section 5.3*) defines a confined space as a space whose volume is less than 50 cubic feet per 1,000 Btu per hour (4.8 m³ per kw) of the aggregate input rating of all appliances installed in that space and an unconfined space as a space whose volume is not less than 50 cubic feet per 1,000 Btu per hour (4.8 m³ per kw) of the aggregate input rating of all appliances installed in that space. Rooms communicating directly with the space in which the appliances are installed*, through openings not furnished with doors, are considered a part of the unconfined space.

* Adjoining rooms are communicating only if there are doorless passageways or ventilation grills between them.

Continued

AIR FOR COMBUSTION AND VENTILATION

Continued

DETERMINING AIR FLOW FOR STOVE LOCATION

Determining if You Have a Confined or Unconfined Space

Use this work sheet to determine if you have a confined or unconfined space.

Space: Includes the room in which you will install stove plus any adjoining rooms with doorless passageways or ventilation grills between the rooms.

1. Determine the volume of the space (length x width x height).

Length x Width x Height = _____ cu. ft. (volume of space)

Example: Space size 22 ft. (length) x 18 ft. (width) x 8 ft. (ceiling height) = 3168 cu. ft. (volume of space)

If additional ventilation to adjoining room is supplied with grills or openings, add the volume of these rooms to the total volume of the space.

2. Divide the space volume by 50 cubic feet to determine the maximum Btu/Hr the space can support.

_____ (volume of space) ÷ 50 cu. ft. = (Maximum Btu/Hr the space can support)

Example: 3168 cu. ft. (volume of space) ÷ 50 cu. ft. = 63.3 or 63,300 (maximum Btu/Hr the space can support)

3. Add the Btu/Hr of all fuel burning appliances in the space.

Vent-free stove	_____	Btu/Hr
Gas water heater*	_____	Btu/Hr
Gas furnace	_____	Btu/Hr
Vented gas heater	_____	Btu/Hr
Stove logs	_____	Btu/Hr
Other gas appliances*	+ _____	Btu/Hr
Total	= _____	Btu/Hr

Example:

Gas water heater		40,000	Btu/Hr
Vent-free stove with log heater	+	30,000	Btu/Hr
Total	=	70,000	Btu/Hr

* Do not include direct-vent gas appliances. Direct-vent draws combustion air from the outdoors and vents to the outdoors.

4. Compare the maximum Btu/Hr the space can support with the actual amount of Btu/Hr used.

_____ Btu/Hr (maximum the space can support)
 _____ Btu/Hr (actual amount of Btu/Hr used)

Example: 63,300 Btu/Hr (maximum the space can support)
 70,000 Btu/Hr (actual amount of Btu/Hr used)

The space in the above example is a confined space because the actual Btu/Hr used is more than the maximum Btu/Hr the space can support. You must provide additional fresh air. Your options are as follows:

- A. Rework work sheet, adding the space of an adjoining room. If the extra space provides an unconfined space, remove door to adjoining room or add ventilation grills between rooms. See *Ventilation Air from Inside Building*, page 9.
- B. Vent room directly to the outdoors. See *Ventilation Air from Outdoors*, page 9.
- C. Install a lower Btu/Hr gas log, if lower Btu/Hr size makes room unconfined.

If the actual Btu/Hr used is less than the maximum Btu/Hr the space can support, the space is an unconfined space. You will need no additional fresh air ventilation.

WARNING

If the area in which the stove and gas log heater may be operated is smaller than that defined as an unconfined space or if the building is of unusually tight construction, provide adequate combustion and ventilation air by one of the methods described in the *National Fuel Gas Code, ANSI Z223.1, Section 5.3* or applicable local codes.

AIR FOR COMBUSTION AND VENTILATION

Continued

VENTILATION AIR Ventilation Air From Inside Building

This fresh air would come from an adjoining unconfined space. When ventilating to an adjoining unconfined space, you must provide two permanent openings: one within 12" of the ceiling and one within 12" of the floor on the wall connecting the two spaces (see options 1 and 2, Figure 4). You can also remove door into adjoining room (see option 3, Figure 4). Follow the *National Fuel Gas Code NFPA 54/ANSI Z223.1, Section 5.3, Air for Combustion and Ventilation* for required size of ventilation grills or ducts.

WARNING

Rework worksheet, adding the space of the adjoining unconfined space. The combined spaces must have enough fresh air to supply all appliances in both spaces.

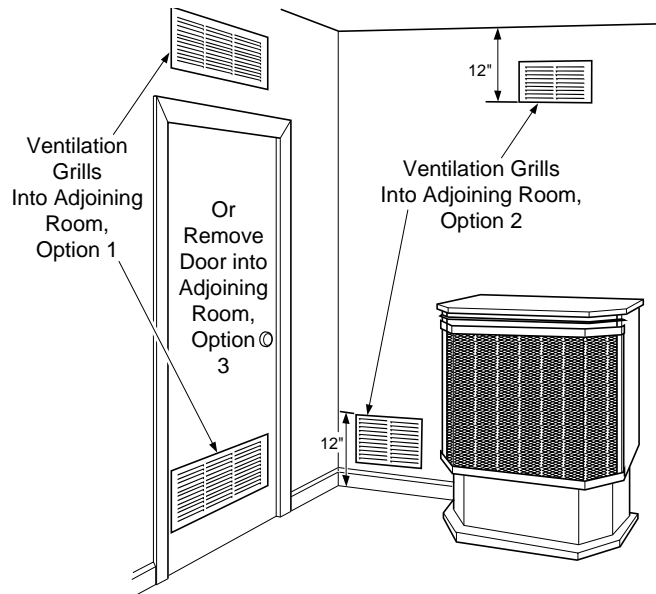


Figure 4 - Ventilation Air from Inside Building

Ventilation Air From Outdoors

Provide extra fresh air by using ventilation grills or ducts. You must provide two permanent openings: one within 12" of the ceiling and one within 12" of the floor. Connect these items directly to the outdoors or spaces open to the outdoors. These spaces include attics and crawl spaces.

IMPORTANT: Do not provide openings for inlet or outlet air into attic if attic has a thermostat-controlled power vent. Heated air entering the attic will activate the power vent.

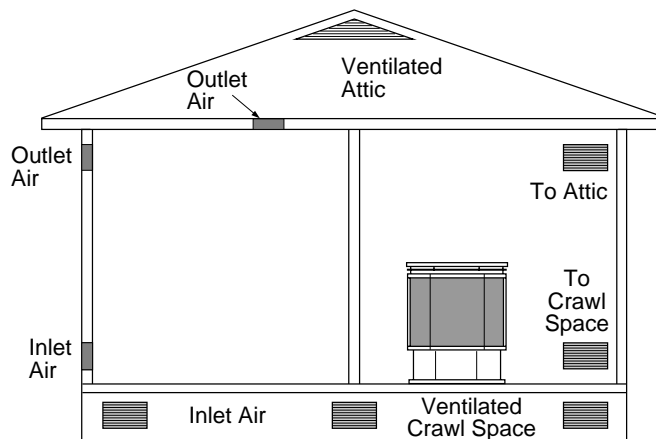


Figure 5 - Ventilation Air from Outdoors

INSTALLING

NOTICE

A qualified service person must install stove. Follow all local codes.

⚠ WARNING

Never install the stove

- in a bedroom or bathroom
- in a recreational vehicle
- where curtains, furniture, clothing, or other flammable objects are less than 36 inches from the front, top, or sides of the stove
- in high traffic areas
- in windy or drafty areas

⚠ CAUTION

Log heaters installed in this stove create warm air currents. These currents move heat to wall surfaces next to stove. Installing stove next to vinyl or cloth wall coverings or operating stove where impurities in the air (such as tobacco smoke) exist, may discolor walls.

⚠ CAUTION

Only open and close door with the handle at the bottom of the door.

IMPORTANT: Vent-free gas log heaters add moisture to the air. Although this is beneficial, installing stove in rooms without enough ventilation air may cause mildew to form from too much moisture. See *Air for Combustion and Ventilation*, pages 6 through 9.

IMPORTANT: Make sure the stove is level. If stove is not level, log set will not work properly.

INSTALLATION CLEARANCES

⚠ WARNING

Maintain the minimum clearances. If you can, provide greater clearances from floor, ceiling, and adjoining wall.

Carefully follow the instructions below. This will ensure safe installation.

Minimum Wall and Ceiling Clearances

- A. Clearances from the back of stove to wall should not be less than 3 inches (see Figure 6).

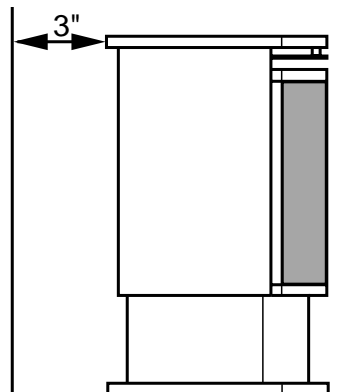


Figure 6 - Minimum Clearance to Back Wall

INSTALLING

Continued

- B. Clearances from the side of the stove opening to any combustible wall should not be less than 20 inches (see Figure 7).
- C. Clearances from the top of the stove opening to the ceiling should not be less than 52 inches (see Figure 7).

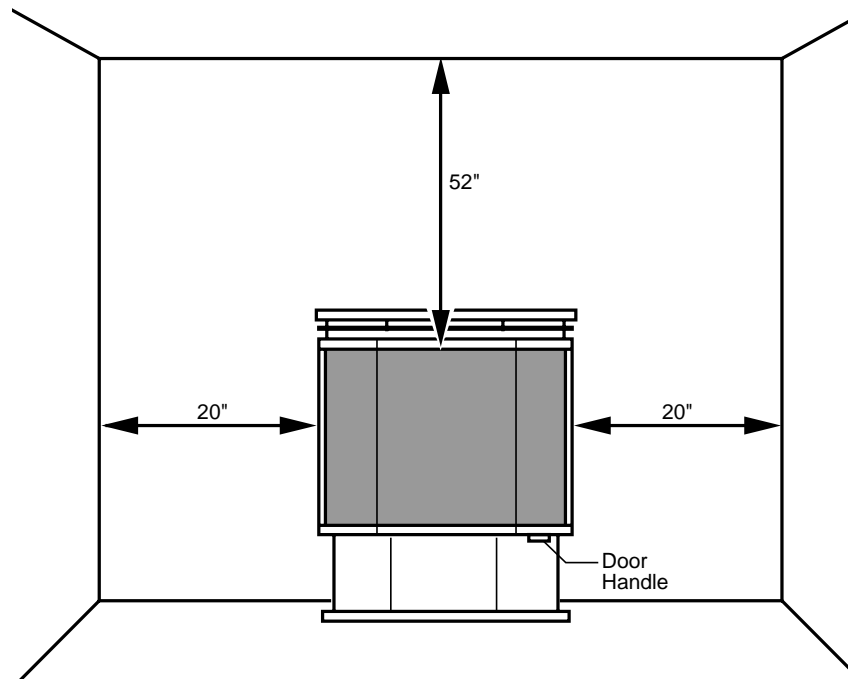


Figure 7 - Minimum Clearance to Wall and Ceiling

INSTALLING GA3700 BLOWER ACCESSORY

1. Install blower assembly per instruction sheet included in blower accessory kit.
2. Route blower power cord out the back of the stove and to a grounded, three-prong 120-volt electrical outlet. Plug electrical cord into outlet.

INSTALLING LOG HEATER IN STOVE

⚠ CAUTION

Do not pick up log base assembly by burners. This could damage burners. Only handle base by grates.

1. If installing GA3700 Blower Accessory, see *Installing GA3700 Blower Accessory*, above.

NOTICE

Most building codes do not permit concealed gas connections. A flexible gas line is provided to allow accessibility from the stove. The manual shutoff valve should be accessible.

2. Attach gas log heater base to stove bottom with two screws included with base (see *Installing Heater Base Assembly* in log set owner's manual).

TECHNICAL SERVICE

You may have further questions about installation, operation, or troubleshooting. If so, contact DESA International's Technical Service Department at 1-800-323-5190.

REPLACEMENT PARTS

Note: Use only original replacement parts. This will protect your warranty coverage for parts replaced under warranty.

Parts Under Warranty

Contact authorized dealers of this product. If they can't supply original replacement part(s), call DESA International's Technical Service Department at 1-800-DESA LOG (1-800-337-2564).

When calling DESA International, have ready

- your name
- your address
- model number of your stove
- how stove was malfunctioning
- type of gas used (propane or natural gas)
- purchase date

Usually, we will ask you to return the defective part to the factory.

Parts Not Under Warranty

Contact authorized dealers of this product. If they can't supply original replacement part(s), call DESA International's Parts Department at 1-800-972-7879 for referral information.

When calling DESA International, have ready

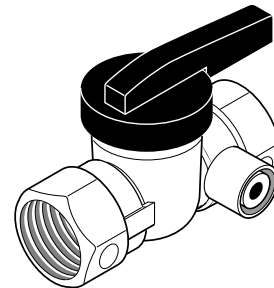
- model number of your stove
- the replacement part number

ACCESSORIES

Purchase these stove accessories from your local dealer. If they can not supply these accessories, call DESA International's Sales Department at 1-800-432-2382 for information. You can also write to the address listed on the back page of this manual.

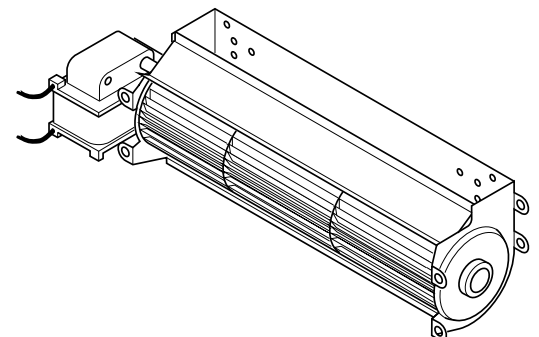
MANUAL SHUTOFF VALVE - GA5010

Manual shutoff valve with 1/8" NPT tap.



BLOWER ACCESSORY - GA3700

The variable blower allows you to select the desired speed. The blower circulates heated air from the stove into the room.

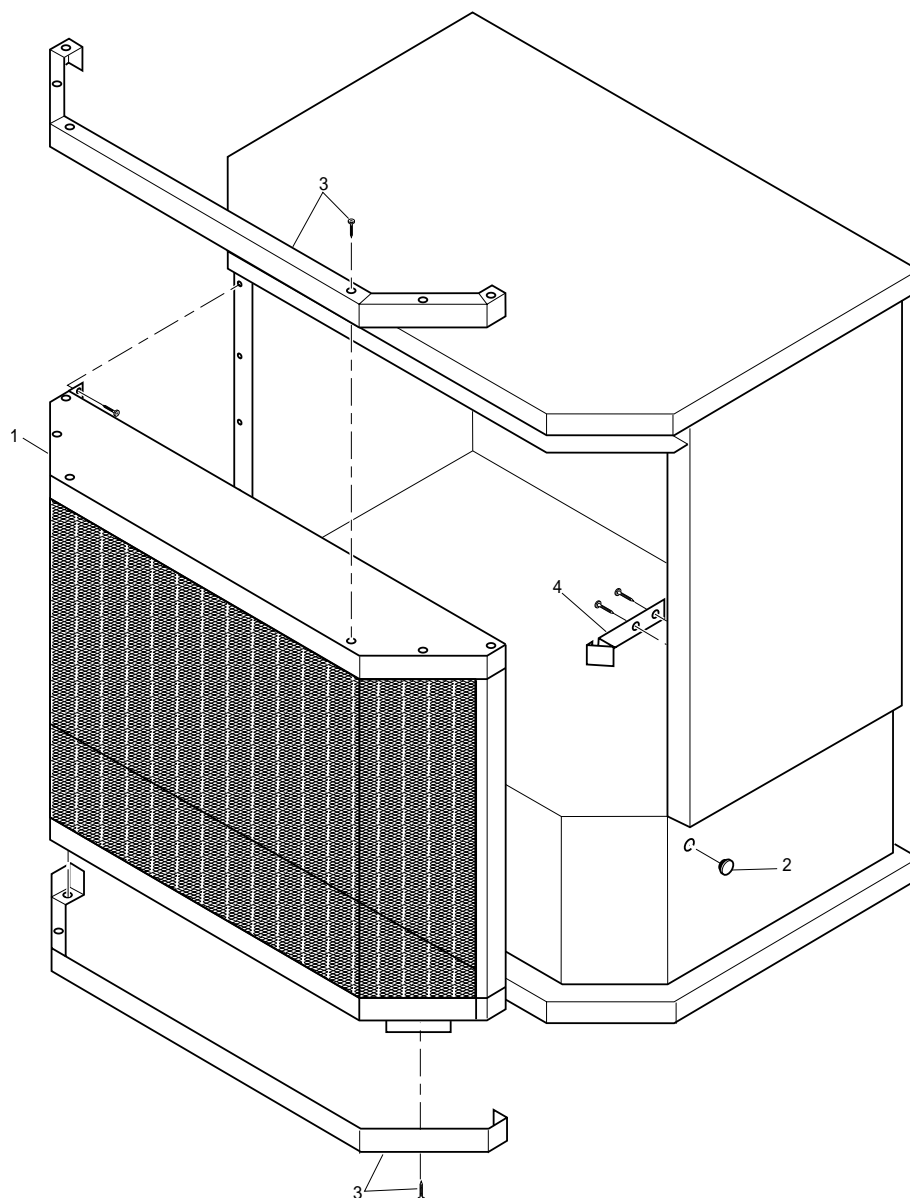


ILLUSTRATED PARTS BREAKDOWN

This list contains replaceable parts used in your stove. When ordering parts, follow the instructions listed under *Replacement Parts* on page 12 of this manual.

Model SVFBC

KEY NO.	PART NUMBER	DESCRIPTION	QTY.
1	103657-01	Door (includes 5 screws) and Handle	1
2	103693-01	Button Plug	1
3	103659-01	Brass Trim Kit (upper and lower) (includes 6 screws)	2
4	103660-01	Door Latch Kit (includes 2 screws)	1
PARTS AVAILABLE — NOT SHOWN			
	103662-01	Touch Up Paint	1



WARRANTY INFORMATION

KEEP THIS WARRANTY

Model _____

Serial No. _____

Date Purchased _____

Always specify model and serial numbers when communicating with the factory.

We reserve the right to amend these specifications at any time without notice. The only warranty applicable is our standard written warranty. We make no other warranty, expressed or implied.

LIMITED WARRANTY VENT-FREE STOVE

DESA International warrants this product to be free from defects in materials and components for three (3) years from the date of first purchase, provided that the product has been properly installed, operated and maintained in accordance with all applicable instructions. To make a claim under this warranty the Bill of Sale or cancelled check must be presented.

This warranty is extended only to the original retail purchaser. This warranty covers the cost of part(s) required to restore this heater to proper operating condition and an allowance for labor when provided by a DESA Authorized Service Center. Warranty part(s) MUST be obtained through authorized dealers of this product and/or DESA International who will provide original factory replacement parts. Failure to use original factory replacement parts voids this warranty. The heater MUST be installed by a qualified installer in accordance with all local codes and instructions furnished with the unit.

This warranty does not apply to parts that are not in original condition because of normal wear and tear, or parts that fail or become damaged as a result of misuse, accidents, lack of proper maintenance or defects caused by improper installation. Travel, diagnostic cost, labor, transportation and any and all such other costs related to repairing a defective heater will be the responsibility of the owner.

TO THE FULL EXTENT ALLOWED BY THE LAW OF THE JURISDICTION THAT GOVERNS THE SALE OF THE PRODUCT; THIS EXPRESS WARRANTY EXCLUDES ANY AND ALL OTHER EXPRESSED WARRANTIES AND LIMITS THE DURATION OF ANY AND ALL IMPLIED WARRANTIES, INCLUDING WARRANTIES OF MERCHANTABILITY AND FITNESS FOR A PARTICULAR PURPOSE TO THREE (3) YEARS ON ALL COMPONENTS FROM THE DATE OF FIRST PURCHASE; AND DESA INTERNATIONAL'S LIABILITY IS HEREBY LIMITED TO THE PURCHASE PRICE OF THE PRODUCT AND DESA INTERNATIONAL SHALL NOT BE LIABLE FOR ANY OTHER DAMAGES WHATSOEVER INCLUDING INDIRECT, INCIDENTAL OR CONSEQUENTIAL DAMAGES.

Some states do not allow a limitation on how long an implied warranty lasts or an exclusion or limitation of incidental or consequential damages, so the above limitation on implied warranties, or exclusion or limitation on damages may not apply to you.

This warranty gives you specific legal rights, and you may also have other rights that vary from state to state.

For information about this warranty write:

DESA
INTERNATIONAL

2701 Industrial Drive
P.O. Box 90004
Bowling Green, KY 42102-9004

103661-01
Rev. B
04/97

Free Manuals Download Website

<http://myh66.com>

<http://usermanuals.us>

<http://www.somanuals.com>

<http://www.4manuals.cc>

<http://www.manual-lib.com>

<http://www.404manual.com>

<http://www.luxmanual.com>

<http://aubethermostatmanual.com>

Golf course search by state

<http://golfingnear.com>

Email search by domain

<http://emailbydomain.com>

Auto manuals search

<http://auto.somanuals.com>

TV manuals search

<http://tv.somanuals.com>