

## TROUBLE SHOOTING GUIDE

- PROBLEM:** Fill valve turns on/off without toilet being flushed
  - PROBABLE CAUSE:** No proper slack in flapper chain  
**SOLUTION:** Adjust for proper slack
  - PROBABLE CAUSE:** Flush valve flapper dirty  
**SOLUTION:** Inspect and clean
- PROBLEM:** Fill valve continues running
  - PROBABLE CAUSE:** Dirty fill valve seal  
**SOLUTION:** Shut off water supply. Open fill valve cap and clean valve seal
  - PROBABLE CAUSE:** Flush valve flapper does not seat properly  
**SOLUTION:** Inspect, clean or adjust flapper position
- PROBLEM:** Poor Flush
  - PROBABLE CAUSE:** Trapway is obstructed  
**SOLUTION:** Unclog trapway
  - PROBABLE CAUSE:** Supply stop is partially closed  
**SOLUTION:** Open supply stop
  - PROBABLE CAUSE:** Venting is obstructed  
**SOLUTION:** Clear venting pipe
  - PROBABLE CAUSE:** Water supply is too low  
**SOLUTION:** The minimum required supply pressure is 20 psi. Consult your plumber.
- PROBLEM:** No flushing
  - PROBABLE CAUSE:** Supply stop is closed  
**SOLUTION:** Open supply stop
  - PROBABLE CAUSE:** Flush valve chain is too loose or disconnected  
**SOLUTION:** Adjust chain length as needed

### WARNING! DO NOT USE IN-TANK BOWL CLEANERS

The use of high concentration of chlorine or chlorine-related products can seriously damage fittings in the tank. This damage can cause leakage and property damage. • TOTO shall not be responsible or liable for any tank fitting failure or damage caused by the use of in-tank bowl cleaners.

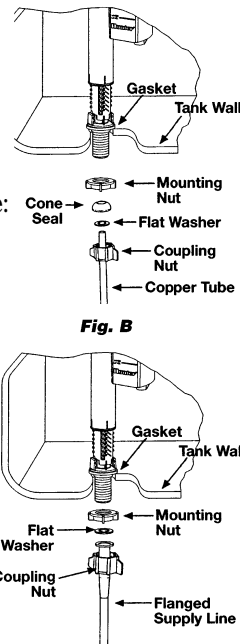
## TOILET TANK FILL VALVE INSTRUCTIONS G-Max /Power Gravity

### INSTALLATION

- Shut off water supply. Flush toilet; sponge remaining water from tank. Remove old ballcock.

- Slide threaded valve-shaft through hole in bottom of tank. Note: Be sure to install valve in the locked position at the angle shown in fig. A. Thread mounting-nut onto exposed

- shaft under tank and tighten nut. **DO NOT OVERTIGHTEN.**
- Connect water supply as shown in fig. B. Pipe dope is not recommended. Hand tighten only; do not overtighten coupling nut.
- Finally attach refill tube to valve and clip other end to overflow pipe.



## WATER LEVEL ADJUSTMENT

- To adjust, simply turn upper half of valve counter-clockwise to unlock, pull up til water level is where the water line is marked on the overflow pipe, Fig. C, then turn clockwise till valve snaps into locked position.

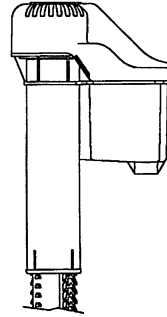


Fig. C

- Turn on water supply to fill tank.
- Tamper proof key is optional, and may be used simply to prevent further adjustment once final setting is achieved, Fig. D.

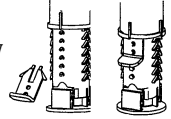
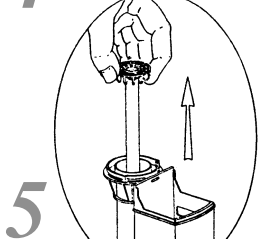
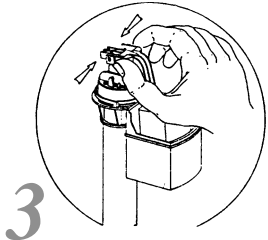


Fig. D

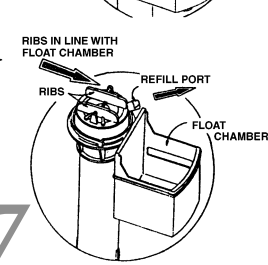
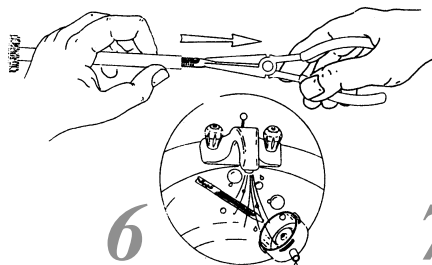
## SERVICING INSTRUCTIONS

- Turn off water supply, then flush toilet.
- Snap off cover.
- Gently press float arms inward and remove float.
- While holding valve with one hand, twist cap 1/8 turn counter clockwise and remove.
- Lift out center tube as shown.
- Remove strainer form center tube as shown. Clean strainer and cap by rinsing off under faucet.
- Carefully reassemble the valve in the reverse order.



### IMPORTANT:

Note position of cap when properly assembled to the body. The ribs on the cap are in line with the float chamber and the refill port is aligned as shown.



TOTO U.S.A., INC. • 1155 Southern Road, Morrow, GA 30260  
Tel. (770) 282-8686 • Fax. (770) 282-8701  
www.totousa.com

Printed in U.S.A. © TOTO LTD.

**TOTO**  
Perfection by Design

# INSTALLATION INSTRUCTIONS

## For MS904114 / MS884114 / MS874114S / MS914114



### IMPORTANT

Read these instructions thoroughly before beginning work.

You have purchased one of the best working toilets available today, backed by TOTO's worldwide finest reputation.

Please leave instructions for customers. These instructions contain maintenance and warranty information.

### COMMON TOOLS NEEDED:

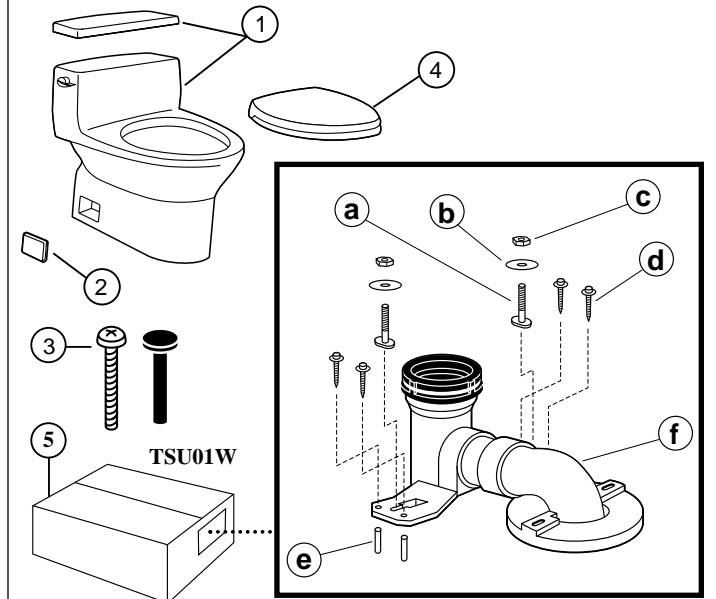
- 12" pipe wrench
- 10" adjustable wrench
- Carpenter's level
- Tape measure
- Plier
- Screwdriver
- Putty knife
- Drill motor, 11/64" drill bit (for wood floor installation) & 1/4" masonry drill bit (for masonry/tile floor installation)

### MATERIALS REQUIRED:

- Supply tube / connector
- Supply stop
- Mounting bolts (2)
- Wax ring / seal

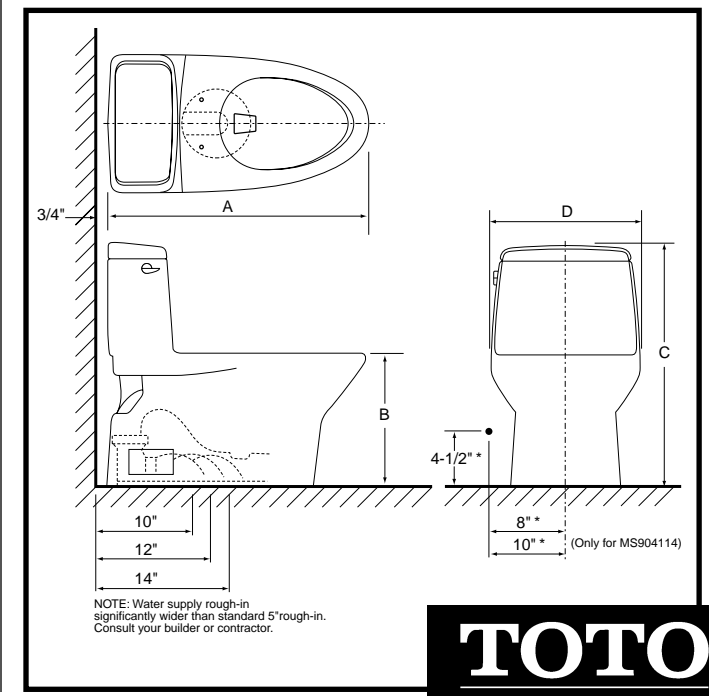
### Package Content:

No.	Item	Quantity
1.	Vitreous China Bowl w/lid	1
2.	Cover Plate	2
3.	Top Mount Bolt Set (for seat)	1
4.	Toilet Seat Set	1
5.	UNIFIT Rough-In (TSU01W.12)	1
5a.	Toilet Mounting Bolt (T-Bolt)	2
5b.	T-Bolt Washer	2
5c.	T-Bolt Nut	2
5d.	Mounting Screw w/ washer	4
5e.	Anchor	4
5f.	PVC Outlet Connection*	1



Model	A	B	C	D
MS904114	29-1/2"	15"	23-1/2"	21-1/4"
MS884114	28"	15"	23-3/4"	16-1/2"
MS874114S(SG)	28"	15"	27-1/2"	16-1/2"
MS914114	28"	15"	24-7/8"	17-3/4"

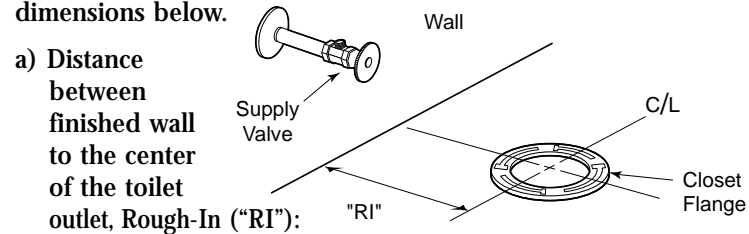
### \* Check for correct dimension



**TOTO**  
Perfection by Design

## STEP 1 Piping Check and Roughing-in

In order for your new TOTO toilet to fit correctly, check the dimensions below.



"RI"	Outlet Connection Part No.
12 inch	TSU01W.12 (supplied)
10 inch	TSU01W.10 (optional - must be purchased separately)
14 inch	TSU01W.14 (optional - must be purchased separately)

Please make sure that you have the correct outlet connection part.

b) Water supply must be approx. 8 in. or 10 in. to the left (facing bowl) from center line of closet flange and approximately 4-1/2 in. above the floor.

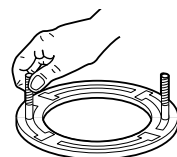
## Removing Existing Toilet (If Necessary)

Turn off water supply. Flush the toilet, remove any remaining water from tank and bowl.

Disconnect water connector. Remove tank and bowl. Remove old wax seal and mounting bolts.

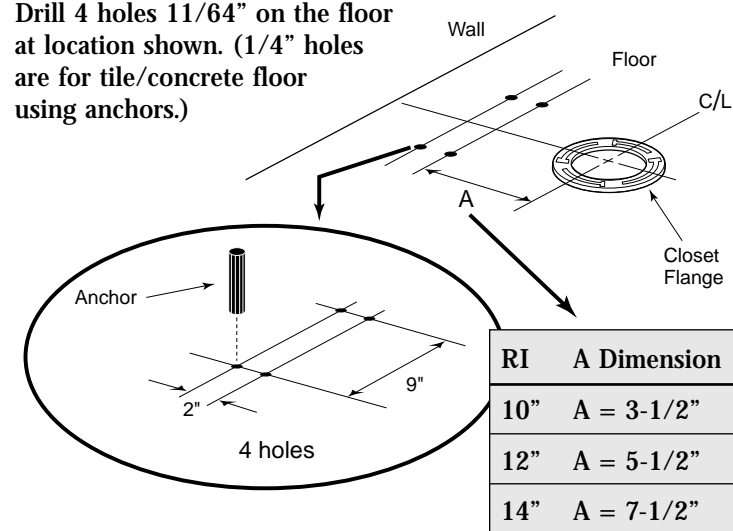
## STEP 2 Installing Mounting Bolts

Clean any debris out of the closet flange, then install the mounting bolts into the slots of the flange. The bolt should be inserted into the slot with its head down and threaded shank pointed upward.



## STEP 3 Installing Outlet Connection

Drill 4 holes 11/64" on the floor at location shown. (1/4" holes are for tile/concrete floor using anchors.)



Turn the PVC outlet connection upside down. Firmly press a new wax seal onto the circular recess around the outlet opening.

Turn the outlet connection upright and lower it into position over closet flange. With the unit properly aligned, press down firmly to set wax seal.

**CAUTION: DO NOT** move the outlet connection after the wax seal is set.

Insert washers and thread nuts onto mounting bolts and hand tighten. Then tighten bolts an additional 1/2 turn.

Secure back side of outlet connection to the floor using the 4 screws and washers.

Insert the T-Bolts into the slots with its head down and threaded shank pointed upward.

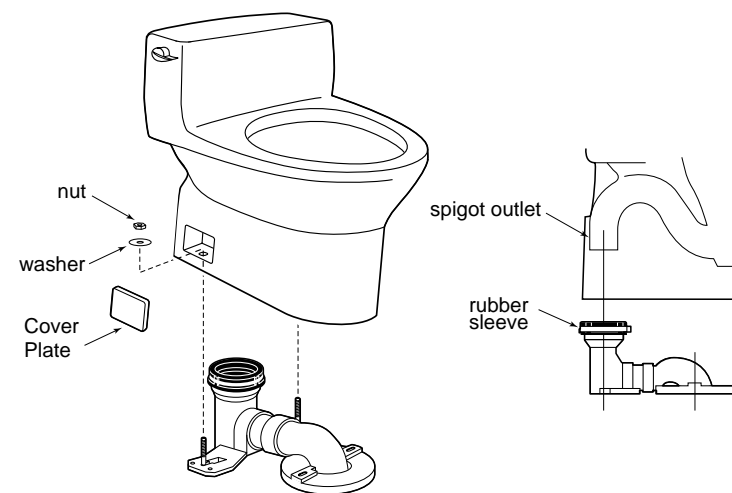
**NOTE:** Do not remove the white tie-wrap from rubber sleeve. Level the PVC outlet. Do not use excessive force.

## STEP 4 Installing Toilet

Lift the toilet and gently lower it into position over closet flange. Make sure that the spigot outlet of toilet slips into rubber sleeve and T-Bolts fit through the openings in the base of toilet.

**NOTE:** A petroleum lubricant can be used on the rubber sleeve to lubricate the spigot outlet for an easier installation.

Insert washer and thread nuts on to bolts and hand tighten. Then tighten bolts an additional 1/2 turn. Install cover plates.



**WARNING: DO NOT** over tighten the nuts, damage to china or plastic parts may result.

## STEP 5 Connecting Water Line

Supply stop should be installed per supply stop instructions at location shown in Step 1.

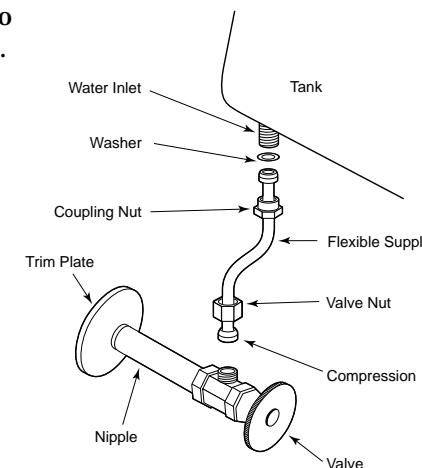
Flush water line briefly to ensure removal of debris.

Connect provided flexible supply to supply stop.

**CAUTION: DO NOT** OVER-TIGHTEN NUT.

Open supply stop, check for leakage. Slightly retighten if necessary.

Water Supply Pressure should be: 20 to 80 psi Static



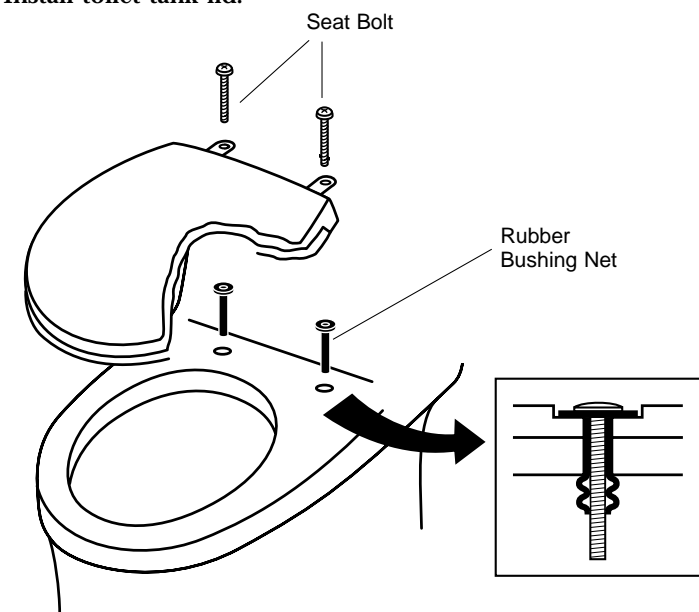
## STEP 6 Operation

**NO BALLCOCK/FILL VALVE ADJUSTMENT NEEDED.** Water will automatically stop at proper level.

Flush toilet several times. Check flapper valve for proper operation. Make sure that chain is not tangled and flapper arm is in its proper position.

## STEP 7

Install toilet tank lid.



## STEP 8

Install toilet seat. (Top Mount Bolt Set is included in the bowl).

Insert rubber bushing nuts into bowl seat holes.

**Note:** Remove existing seat if necessary.

Place seat on bowl and rotate the hinge unit into place while holding seat down on bowl.

Fasten and tighten bolt from top with screwdriver. Replace bolt cap and lower lid (if necessary).

## FIVE YEAR LIMITED WARRANTY

Warranty applies to select Augusta Products only.

1. TOTO warrants its vitreous china products to be free from manufacturing defects under normal use and service for a period of five (5) years from date of purchase. This warranty is extended only to the ORIGINAL PURCHASE.

2. TOTO's obligation under this warranty are limited to repair or replacement at TOTO's option, of products or parts found to be defective, provided that such products were properly installed and used in accordance with instructions. TOTO reserves the right to make such inspections as may be necessary in order to determine the cause of the defect. TOTO will not charge for labor or parts in connection with warranty repairs or replacements. TOTO is not responsible for the cost or removal, return and/or reinstallation of products.

This warranty does not apply to the following items.

- Damage or loss sustained in a natural calamity such as fire, earthquake, flood, thunder, electrical storms, etc.
- Damage or loss resulting from any unreasonable use, misuse, abuse, negligence, or improper maintenance of the product.
- Damage or loss resulting from removal, improper repair, or modification of the product.
- Damage or loss resulting from sediments or foreign matter contained in water system.
- Damage or loss resulting from improper installation or from installation of a unit in a harsh and/or hazardous environment.
- Tank flushing mechanisms of plastic or rubber moving parts.
- Toilet seats of plastic, wood or metal.

4. This warranty gives you specific legal rights. You may have other rights which vary from state to state.

5. To obtain warranty repair service under this warranty, you must take the product or deliver it prepaid to a TOTO service facility together with a letter stating the problem, or contract a TOTO distributor or products service contractor, or write directly to TOTO KIKI U.S.A. INC, 1155 Southern Road, Morrow, GA 30260 (888) 295-8134. If because of the size of the product or nature of the defect, the product cannot not be returned to TOTO, receipt by TOTO of written notice of the defect shall constitute delivery. In such case, TOTO may choose to repair the product at the purchaser's location or to pay to transport the product to a service facility.

This written warranty is the only warranty made by TOTO. Repair or replacement as provided under this warranty shall be the exclusive remedy available to the purchaser. TOTO shall not be responsible for lost of the product or for other incidental, special or consequential damages or expenses insured by the purchaser, or for labor or other costs due to installation or removal, or costs of repairs by others, or for any other expenses not specifically stated above. Except to the extent prohibited by applicable law, any implied warranties, including that of merchantability or fitness for use, are expressly limited to the duration of this warranty. Some states do not allow limitations on how long an implied warranty lasts or the exclusion or limitation of incidental or consequential damages, so the above limitation and exclusion may not apply to you.

**WARNING!** TOTO shall not be responsible or liable for any failure of, or damage to, this product or product component caused by either chloramines in the treatment of public water supply or in tank bowl cleaners containing chlorine (calcium hypochlorite). Note: The use of high concentration of chlorine or chlorine related products can seriously damage the fittings. This damage can cause leakage and serious property damage. For more information, please call us at (888) 295-8134.

### REPLACEMENT PARTS

Model	Flapper	Fill Valve	Flush Valve	Trip Lever
MS904114	THU092-5	TSU06A.4	THU014	THU015#XX
MS884114	THU092-1	TSU04A.5	THU001N	THU004#XX
MS874114S	THU092-3	TSU05A.11	THU013	THU004#XX
MS914114	THU092-8	TSU04A.5	THU128	THU099#XX

## Free Manuals Download Website

<http://myh66.com>

<http://usermanuals.us>

<http://www.somanuals.com>

<http://www.4manuals.cc>

<http://www.manual-lib.com>

<http://www.404manual.com>

<http://www.luxmanual.com>

<http://aubethermostatmanual.com>

Golf course search by state

<http://golfingnear.com>

Email search by domain

<http://emailbydomain.com>

Auto manuals search

<http://auto.somanuals.com>

TV manuals search

<http://tv.somanuals.com>