

# *Camera Adaptor*

---

## **Operating Instructions**

Before operating the unit, please read this manual thoroughly and retain it for future reference.

## **CA-D50**

## **WARNING**

**To prevent fire or shock hazard, do not expose the unit to rain or moisture.**

**To avoid electrical shock, do not open the cabinet. Refer servicing to qualified personnel only.**

### **For customers in the USA**

This equipment has been tested and found to comply with the limits for a Class A digital device, pursuant to Part 15 of the FCC Rules. These limits are designed to provide reasonable protection against harmful interference when the equipment is operated in a commercial environment. This equipment generates, uses, and can radiate radio frequency energy and, if not installed and used in accordance with the instruction manual, may cause harmful interference to radio communications. Operation of this equipment in a residential area is likely to cause harmful interference in which case the user will be required to correct the interference at his own expense.

You are cautioned that any changes or modifications not expressly approved in this manual could void your authority to operate this equipment.

The shielded interface cable recommended in this manual must be used with this equipment in order to comply with the limits for a digital device pursuant to Subpart B of Part 15 of FCC Rules.

### **For the customers in Europe**

This product with the CE marking complies with the EMC Directive (89/336/EEC) issued by the Commission of the European Community. Compliance with these directive implies conformity to the following European standards:

- EN55103-1: Electromagnetic Interference (Emission)
- EN55103-2: Electromagnetic Susceptibility (Immunity)

This product is intended for use in the following Electromagnetic Environment(s):

E1 (residential), E2 (commercial and light industrial), E3 (urban outdoors) and E4 (controlled EMC environment, ex. TV studio).

# Table of Contents

<b>Overview .....</b>	<b>4</b>
Using the CD-ROM Manual .....	5
<b>Location and Functions of Parts .....</b>	<b>7</b>
<b>Mounting on Video Camera .....</b>	<b>9</b>
<b>Mounting the BKP-L551 Battery Adapter .....</b>	<b>11</b>
<b>Notes on Use .....</b>	<b>13</b>
<b>Specifications .....</b>	<b>14</b>

# Overview

The CA-D50 is a camera adaptor for mounting on a DXC-D35/D35WS series digital video camera. The CA-D50 allows a CCU-D50/D50P/M5A/M5AP Camera Control Unit to be connected to the camera.

This unit has the following features.

## Note

When a DXC-D35/D35P/D35WS/D35WSP camera with a serial number indicated in the following table is connected to a CCU-D50/D50P through this unit, the ROM of the camera must be replaced.

*For more information about checking the version and exchanging ROMs, contact your Sony dealer or a Sony service representative.*

Camera	Serial number
DXC-D35	10001 to 11325, 18001 to 18581, 100001 to 100356, 110001 to 110030
DXC-D35P	40001 to 42755, 48001 to 49261, 400001 to 402001, 410001 to 410033
DXC-D35WS	10001 to 10750, 18001 to 18336, 100001 to 100394
DXC-D35WSP	40001 to 40420, 48001 to 48366, 400001 to 400030

---

## Digital and analog transmission functions

Connecting a CCU-D50/D50P enables, in addition to analog transmission, digital transmission of video signals, which enhances picture quality by preventing signal degradation. (Audio signal transmission is not digital.)

---

## SDI output connector

This unit is equipped with an SDI output connector for output of digital video signals.

---

## Battery power

The optional BKP-L551 Battery Adapter and battery adaptor mounting bracket allow a battery to be mounted on this unit.

---

## Using the CD-ROM Manual

The supplied CD-ROM includes operation manuals for the CA-D50 series of camera adaptor (English, Japanese, French, German, Italian and Spanish versions).

---

### CD-ROM System Requirements

The following are required to access the supplied CD-ROM disc.

- Computer: PC with MMX Pentium 166 MHz or faster CPU, or Macintosh computer with PowerPC CPU.
  - Installed memory: 32 MB or more
  - CD-ROM drive: × 8 or faster
- Monitor: Monitor supporting resolution of 800 × 600 or higher

When these requirements are not met, access to the CD-ROM disc may be slow, or not possible at all.

---

### Preparations

The following software must be installed on your computer in order to use the operation manuals contained in the CD-ROM disc.

- Microsoft Internet Explorer Version 4.0 or higher, or Netscape Navigator Version 4.0 or higher
- Adobe Acrobat Reader Version 4.0 or higher

- 
- MMX and Pentium are registered trademarks of Intel Corporation or its subsidiaries in the United States and other countries.
  - PowerPC is a registered trademark of International Business Machines Corporation.
  - Macintosh is a registered trademark of Apple Computer, Inc.
  - Microsoft is a registered trademark of Microsoft Corporation in the United States and/or other countries.

- Netscape Navigator is a registered trademark of Netscape Communications Corporation in the U.S. and other countries.
- Adobe and Acrobat are registered trademarks of Adobe Systems Incorporated in the United States and/or other countries.

### Notes

- If Microsoft Internet Explorer is not installed, it may be downloaded from the following URL:  
<http://www.microsoft.com/ie>
- If Netscape Navigator is not installed, it may be downloaded from the following URL:  
<http://home.netscape.com/>
- If Adobe Acrobat Reader is not installed, it may be downloaded from the following URL:  
<http://www.adobe.com/products/acrobat/readstep.html>

---

## To Read the CD-ROM Manual

To read the operation manual contained in the CD-ROM disc, do the following.

- 1** Insert the CD-ROM disc in your CD-ROM drive.

A cover page appears automatically in your browser. If it does not appear automatically in the browser, double click the index.htm file on the CD-ROM disc.

- 2** Select and click the operation manual that you want to read.

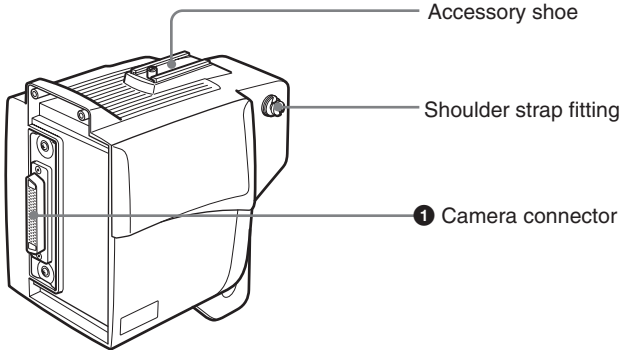
A PDF file of the operation manual opens.

### Note

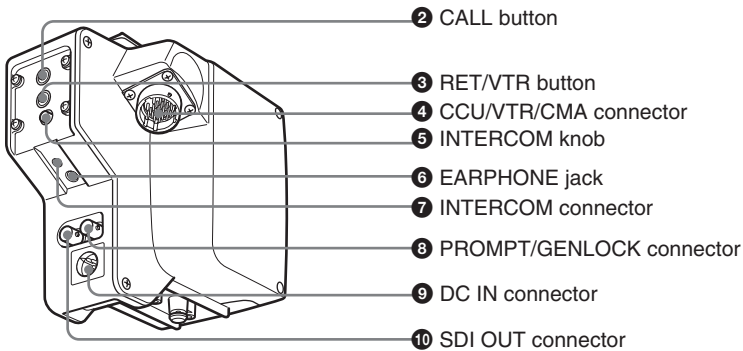
If you lose the CD-ROM disc or become unable to read its content, for example because of a hardware failure, contact your Sony dealer or a Sony service representative.

# Location and Functions of Parts

## Front side



## Rear side



### 1 Camera connector (PRO 76-pin DIGITAL)

Connect to the camera's VTR connector.

### 2 CALL button

Press to call the operator of a camera control unit (CCU) or remote control panel.

When this button is pressed, a red tally indicator lights on the CCU and remote control panel.

### Note

The CALL button does not function in a system which combines the CA-D50 with a CCU-M5A/M5AP.

## Location and Functions of Parts

---

### ③ RET/VTR button

Use this button when a CCU-D50/D50P/M5A/M5AP or VTR is connected to the CCU/VTR/CMA connector.

**When a CCU-D50/D50P/M5A/M5AP is connected:** Holding down this button displays return video in the viewfinder. When the button is released, the viewfinder returns to the video being shot by the camera.

**When a VTR is connected:** This button functions as a VTR recording start/stop button. Recording starts when the button is pressed and stops when it is pressed again.

### ④ CCU/VTR/CMA connector (26-pin, male)

Connect a CCU-D50/D50P/M5A/M5AP, VTR, or CMA-8A/8ACE AC Adaptor. This connector sends and receives power and all video, audio, and control signals between this unit and the connected device.

### ⑤ INTERCOM knob

Adjusts the received signal level of intercom audio.

### ⑥ EARPHONE jack (mini jack)

Connect earphones. Earphones allow you to monitor the recording or playback audio of a VTR connected to this unit.

### ⑦ INTERCOM connector (mini intercom jack)

Connect the DR-100 headset (not supplied). The DR-100 allows you to talk with the operators of camera control units, special effects units, switchers, and so on.

### ⑧ PROMPT/GENLOCK connector (BNC type)

**When a CCU is not connected:** Input a reference video signal (black burst or composite video signal) for external synchronization.

**When a CCU is connected:** This connector outputs prompter signals whenever prompter signals are input to the CCU.

### ⑨ DC IN connector (XLR 4-pin)

Connect to an external DC power supply (12 V). Use the CCQX-3 DC Power Cord (not supplied) to connect this connector and the CMA-8A/8ACE AC Adaptor (not supplied). Power supplied from the DC IN connector is given priority over power supplied from the CCU/VTR/CMA connector.

### ⑩ SDI OUT connector (BNC type)

Outputs video signals from the camera as digital video (SDI) signals.



# Mounting on Video Camera

This unit is dockable with a DXC-D35/D35WS series digital video camera.

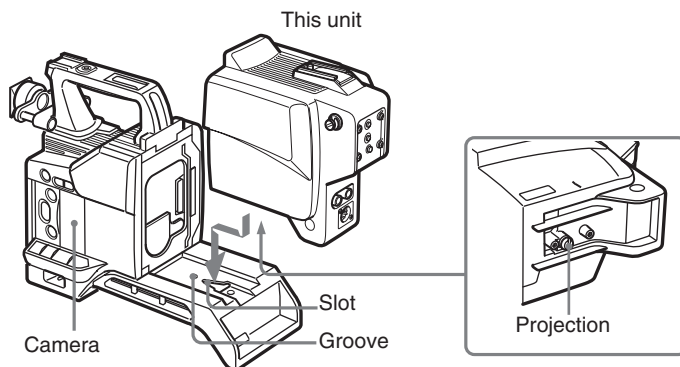
Before mounting on a DXC-D35/D35WS series camera, remove the camera's shoulder pad.

*On how to remove the shoulder pad, refer to the procedure of mounting a VTR described in the operating instructions for the DXC-D35/D35WS series camera.*

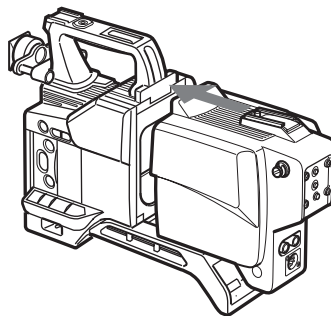
## Note

Always power the camera off before mounting this unit.

- 1 Fit the projection on the bottom of this unit into the slot on the camera.



- 2 Slide the unit along the groove on the camera, and press firmly until fixed.

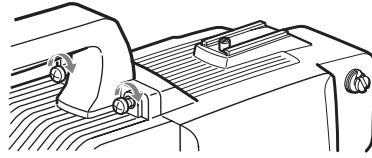


(Continued)

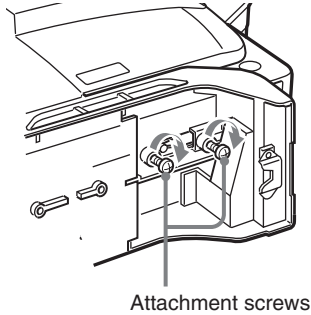
## Mounting on Video Camera

---

- 3** Tighten the two screws in the figure.



- 4** Tighten the two screws on the bottom side of the camera.



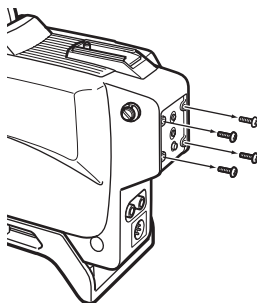
- 5** Attach the shoulder pad.
- 

### To remove this unit from the camera

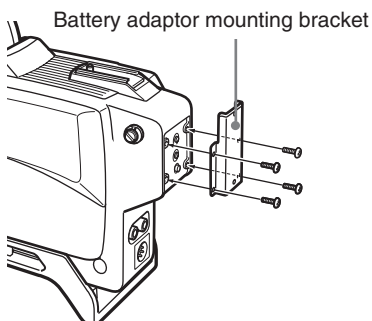
Carry out the mounting procedure in reverse.

# Mounting the BKP-L551 Battery Adapter

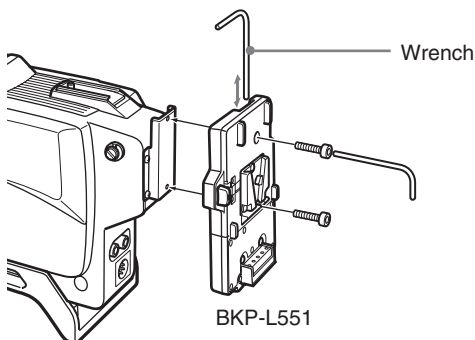
- 1** Remove the 4 screws on the back side of this unit.



- 2** Attach the battery adaptor mounting bracket (Part number 3-690-850-01; not supplied) with the screws removed in step 1.



- 3** Using the wrench and screws supplied with the BKP-L551, mount the BKP-L551 Battery Adapter (not supplied) on the battery adaptor mounting bracket.

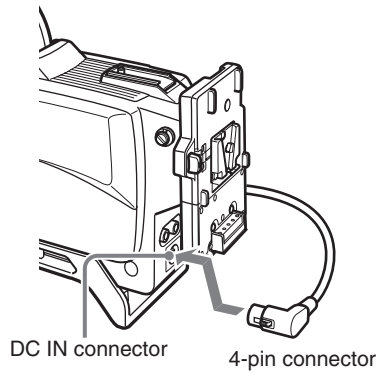


(Continued)

## Mounting the BKP-L551 Battery Adapter

---

- 4 Connect the 4-pin connector of the BKP-L551 to the DC IN connector of this unit.



---

### To remove the battery adapter

Repeat the mounting procedure in reverse.

# Notes on Use

## **Use and storage locations**

Avoid using or storing the unit in the following places:

- Where it is subject to extremes of temperature (operating temperature:  $-10^{\circ}\text{C}$  to  $+45^{\circ}\text{C}$  ( $14^{\circ}\text{F}$  to  $113^{\circ}\text{F}$ )). Note that in summer the temperature in a car with the windows closed can reach  $50^{\circ}\text{C}$  ( $122^{\circ}\text{F}$ ).
- Very damp or dusty places.
- Where rain is likely to reach the unit.
- Places subject to severe vibration.
- Near strong magnetic fields
- Near transmitting stations generating strong radio waves.

## **Avoid violent impacts**

Dropping the unit, or otherwise imparting a violent shock to it, is likely to cause it to malfunction.

## **Do not cover with cloth**

While the unit is in operation, do not cover it with a cloth or other material. This can cause the temperature to rise, leading to a malfunction.

## **Care**

If the body of the unit is dirty, wipe it with a dry cloth. For severe dirt, use a soft cloth steeped in a small amount of neutral detergent, then wipe dry. Do not use volatile solvents such as alcohol or thinners, as these may damage the finish.

# Specifications

---

## General

### Power requirements

When supplied via CCU connector: 12 V DC

When supplied via DC IN connector: 12 V (10.5 to 17 V)

### Power consumption

3.8 W

### Operating temperature

-10°C to +45°C (14°F to 113°F)

### Operating humidity

20% to 90%

### Storage temperature

-20°C to +60°C (-4°F to 140°F)

### Dimensions (w/h/d)

113 × 183 × 168 mm (4 1/2 × 7 1/4 × 6 5/8 inches)

### Mass

1.1 kg (2 lb 6 oz)

---

## Output connectors

### CCU/VTR/CMA

Z type 26-pin (1)

### PROMPTER OUT/GENLOCK IN

BNC type (1), 1 Vp-p, 75 Ω

### DC IN

XLR 4-pin (1), 10.5 to 17 V DC

### Camera connector

PRO 76-pin DIGITAL (1)

### SDI OUT

BNC type (1), 0.8 Vp-p, 75 Ω, 270 Mbps

### INTERCOM

Minijack (1)

### EARPHONE

Minijack (1), 8 Ω

---

## Accessories supplied

Operating Instructions (1)

CD-ROM Manual (1)

Warranty card (1)

---

## Accessories not supplied

DR-100 Headset

DXF-51/51CE 5-inch viewfinder

CMA-8A/8ACE AC Adaptor

CCQX-3 DC Power Cord

BKP-L551 Battery Adapter

Battery adapter mounting bracket for BKP-L551 (part number 3-690-850-01)

Design and specifications are subject to change without notice.

## Free Manuals Download Website

<http://myh66.com>

<http://usermanuals.us>

<http://www.somanuals.com>

<http://www.4manuals.cc>

<http://www.manual-lib.com>

<http://www.404manual.com>

<http://www.luxmanual.com>

<http://aubethermostatmanual.com>

Golf course search by state

<http://golfingnear.com>

Email search by domain

<http://emailbydomain.com>

Auto manuals search

<http://auto.somanuals.com>

TV manuals search

<http://tv.somanuals.com>