

# SONY®

PROFESSIONAL DISC CAMCORDER

# PDW-700

**XDCAM HD**  
Professional Disc System

**MPEG HD422**

**Power HAD™ FX**



OPERATION MANUAL  
1st Edition (Revised 2)

English

## WARNING

CLASS 1 LASER PRODUCT  
LASER KLASSE 1 PRODUKT  
LUOKAN 1 LASERLAITE  
KLASS 1 LASERAPPARAT

This Professional Disc Camcorder is classified as a CLASS 1 LASER PRODUCT.

### Laser diode properties

Wavelength: 400 to 410 nm  
Emission duration: Continuous  
Laser output power: 135 mW (max. of pulse peak), 65 mW (max. of CW)  
Standard: IEC60825-1 (2001)

### Egenskaber for laserdiode

Bølgelængde: 400 til 410 nm  
Strålingsvarighed: Kontinuerlig  
Afgivet lasereffekt: 135 mW (maks strålestopunkt), 65 mW (maks ved kontinuerlig stråling)  
Standard: IEC60825-1 (2001)

### Tekniska data för laserdiode

Våglängd: 400 till 410 nm  
Emissionslängd: Kontinuerlig  
Laserut effekt: 135 mW (max. för pulstopp), 65 mW (max. för kontinuerlig våg)  
Standard: IEC60825-1 (2001)

### Egenskaper for laserdiode

Bølgelængde: 400 til 410 nm  
Strålingsvarighet: Uavbrutt  
Utgangseffekt for laser: 135 mW (maks av pulshøyde), 65 mW (maks av CW)  
Standard: IEC60825-1 (2001)



This label is located inside the outside panel of the unit.

Denna etikett finns på apparatens ovansida.

Denne mærkat sidder på apparatets øverste panel.

Tämä kyltti sijaitsee laitteen yläpinnalla.

Dette merket er plassert på oversiden av produktet.

### CAUTION

The use of optical instruments with this product will increase eye hazard.

Use of controls or adjustments or performance of procedures other than those specified herein may result in hazardous radiation exposure.

### VAROITUS!

LAITTEEN KÄYTTÄMINEN MUULLA KUIN TÄSSÄ KÄYTTÖOHJEESSA MAINITULLA TAVALLA SAATTAA ALTISTAA KÄYTTÄJÄN TURVALLISUUSLUOKAN 1 YLITTÄVÄLLE NÄKYMÄTTÖMÄLLE LASERSÄTEILYLLE.

### VARNING

OM APPARATEN ANVÄNDS PÅ ANNAT SÄTT ÄN I DENNA BRUKSANVISNING SPECIFICERATS, KAN ANVÄNDAREN UTSÄTTAS FÖR OSYNLIG LASERSTRÅLNING, SOM ÖVERSKRIDER GRÄNSEN FÖR LASERKLASS 1.

### For the customers in the U.S.A.

This equipment has been tested and found to comply with the limits for a Class B digital device, pursuant to Part 15 of the FCC Rules. These limits are designed to provide reasonable protection against harmful

interference in a residential installation. This equipment generates, uses, and can radiate radio frequency energy and, if not installed and used in accordance with the instructions, may cause harmful interference to radio communications. However, there is no guarantee that interference will not occur in a particular installation. If this equipment does cause harmful interference to radio or television reception, which can be determined by turning the equipment off and on, the user is encouraged to try to correct the interference by one or more of the following measures:

- Reorient or relocate the receiving antenna.
- Increase the separation between the equipment and receiver.
- Connect the equipment into an outlet on a circuit different from that to which the receiver is connected.
- Consult the dealer or an experienced radio/TV technician for help.

You are cautioned that any changes or modifications not expressly approved in this manual could void your authority to operate this equipment.

All interface cables used to connect peripherals must be shielded in order to comply with the limits for a digital device pursuant to Subpart B of Part 15 of FCC Rules.

*If you have any questions about this product, you may call;  
Sony Customer Information Service Center  
1-800-222-7669 or <http://www.sony.com/>*

### Declaration of Conformity

Trade Name: SONY  
Model: PDW-700  
Responsible party:  
Sony Electronics Inc.  
Address: 16530 Via Esprillo,  
San Diego, CA 92127  
U.S.A.  
Telephone Number:  
858-942-2230

This device complies with part 15 of the FCC Rules. Operation is subject to the following two conditions: (1) this device may not cause harmful interference, and (2) this device must accept any interference received, including interference that may cause undesired operation.

### For the State of California, USA only

Perchlorate Material - special handling may apply, See

[www.dtsc.ca.gov/hazardouswaste/perchlorate](http://www.dtsc.ca.gov/hazardouswaste/perchlorate)

Perchlorate Material : Lithium battery contains perchlorate.

### For the customers in Europe

This product with the CE marking complies with the EMC Directive issued by the Commission of the European Community. Compliance with this directive implies conformity to the following European standards:

- EN55103-1: Electromagnetic Interference (Emission)
- EN55103-2: Electromagnetic Susceptibility (Immunity)

This product is intended for use in the following Electromagnetic Environments: E1 (residential), E2 (commercial and light industrial), E3 (urban outdoors), E4 (controlled EMC environment, ex. TV studio).

The manufacturer of this product is Sony Corporation, 1-7-1 Konan, Minato-ku, Tokyo, Japan.

The Authorized Representative for EMC and product safety is Sony Deutschland GmbH, Hedelfinger Strasse 61, 70327 Stuttgart, Germany. For any service or guarantee matters please refer to the addresses given in separate service or guarantee documents.

**For the customers in Taiwan only**



廢電池請回收

# Table of Contents

<b>Foreword .....</b>	<b>11</b>
Before use.....	11

---

## Chapter 1 : Overview

<b>Features .....</b>	<b>12</b>
<b>Locations and Functions of Parts and Controls.....</b>	<b>14</b>
Power supply .....	14
Accessory attachments .....	15
Operating and connectors section .....	17
HDVF-20A viewfinder (optional).....	30
Status display on the viewfinder screen .....	31

---

## Chapter 2 : Preparations

<b>Preparing a Power Supply .....</b>	<b>35</b>
Using a battery pack.....	35
Using AC power.....	36
<b>Attaching the Viewfinder .....</b>	<b>36</b>
Attaching the HDVF-20A/C35W .....	36
Adjusting the viewfinder position.....	37
Moving the viewfinder shoe up.....	37
Using the BKW-401 Viewfinder Rotation Bracket .....	38
Detaching the eyepiece .....	39
Adjusting the viewfinder focus and screen .....	39
<b>Setting the Area of Use .....</b>	<b>40</b>
<b>Setting the Date/Time of the Internal Clock .....</b>	<b>41</b>
<b>Mounting the Lens.....</b>	<b>42</b>
<b>Adjusting the Flange Focal Length.....</b>	<b>43</b>
<b>Preparing the Audio Input System .....</b>	<b>44</b>
Connecting a microphone to the MIC IN connector.....	44
Connecting microphones to the AUDIO IN connectors .....	45
Attaching a UHF portable tuner (for a UHF wireless microphone system) .....	46
Connecting line input audio equipment .....	48
<b>Tripod Mounting .....</b>	<b>49</b>

<b>Connecting a Video Light .....</b>	<b>50</b>
<b>Using the Shoulder Strap .....</b>	<b>50</b>
<b>Adjusting the Shoulder Pad Position .....</b>	<b>51</b>
<b>Connecting the Remote Control Unit .....</b>	<b>52</b>

---

## **Chapter 3 : Adjustments and Settings for Shooting**

<b>Setting the Recording Format .....</b>	<b>54</b>
Setting the system frequency .....	54
Setting the video recording format.....	55
<b>Adjusting the Black Balance and the White Balance .....</b>	<b>55</b>
Adjusting the black balance .....	55
Adjusting the white balance .....	56
<b>Setting the Electronic Shutter.....</b>	<b>60</b>
Shutter modes.....	60
Selecting the shutter mode and shutter speed .....	61
<b>Changing the Reference Value for Automatic Iris Adjustment .....</b>	<b>63</b>
<b>Adjusting the Audio Level .....</b>	<b>65</b>
Manually adjusting the audio levels of the audio inputs from the AUDIO IN CH1/CH2 connectors.....	65
Manually adjusting the audio level of the MIC IN connector .....	66
Recording audio on channels 3 and 4 .....	66
<b>Setting the Time Data.....</b>	<b>68</b>
Setting the timecode.....	68
Setting the user bits .....	68
Synchronizing the timecode.....	69

---

## **Chapter 4 : Shooting**

<b>Handling Discs .....</b>	<b>72</b>
Discs used for recording and playback .....	72
Notes on handling .....	72
Write-protecting discs .....	72
Loading and unloading a disc .....	73
Formatting a disc.....	74
Handling of discs when recording does not end normally (salvage function).....	74
<b>Basic Procedure for Shooting .....</b>	<b>76</b>
Playing back the recorded clip .....	78
Deleting the recorded clip .....	79

<b>Advanced Operations for Shooting</b> .....	<b>80</b>
Recording essence marks .....	80
Setting clip flags with switches .....	80
Setting the thumbnail image at recording time .....	81
Starting a shoot with a few seconds of pre-stored picture data (Picture Cache function).....	81
Time-lapse video (Interval Rec function) .....	82
To exchange discs while recording (Disc Exchange Cache function) .....	86
Retaking the most recent clip.....	87
Assigning user-defined clip titles automatically .....	87
Assigning user-defined names to clips and clip lists .....	90
Recording video from external devices.....	93

---

## Chapter 5 : Operations in GUI Screens

<b>Overview</b> .....	<b>95</b>
Switching between GUI screens .....	95
Information and controls in thumbnail screens .....	96
Displaying menus.....	100
GUI screen operations.....	103
<b>Thumbnail Operations</b> .....	<b>104</b>
Selecting thumbnails .....	104
Searching with thumbnails .....	105
Playing the scene you have found.....	107
Selecting the information displayed on thumbnails .....	107
Changing clip index pictures.....	108
Checking clip properties .....	108
Setting clip flags.....	111
Locking (write-protecting) clips .....	111
Deleting clips .....	112
<b>Scene Selection (Clip List Editing)</b> .....	<b>113</b>
What is scene selection?.....	113
Creating and editing clip lists.....	114
Managing clip lists .....	119
<b>Disc Operations</b> .....	<b>121</b>
Checking disc properties .....	121
Using planning metadata.....	121
Formatting discs .....	123
<b>Shortcut List</b> .....	<b>124</b>

---

## Chapter 6 : Menu Displays and Detailed Settings

<b>Menu Organization.....</b>	<b>125</b>
TOP menu and top-level menus .....	126
<b>Menu List.....</b>	<b>128</b>
OPERATION menu .....	128
PAINT menu .....	139
MAINTENANCE menu.....	145
FILE menu .....	157
DIAGNOSIS menu .....	161
<b>Menu Operations .....</b>	<b>163</b>
Displaying menus.....	163
Basic menu operations .....	163
Using the USER menu (example menu operation) .....	166
Editing the USER menu .....	167
Resetting USER menu settings to the standard settings.....	170
<b>Setting the Status Display on the Viewfinder Screen and the LCD</b>	
<b>Monitor .....</b>	<b>171</b>
Selecting the display items.....	171
Change confirmation/adjustment progress messages.....	172
Setting the marker display.....	173
Setting the viewfinder .....	174
Recording shot data superimposed on the color bars.....	174
Setting the shot ID.....	175
Displaying the status confirmation screens.....	176
<b>Adjustments and Settings From Menus .....</b>	<b>177</b>
Setting gain values for the GAIN selector positions.....	177
Selecting the output signals.....	178
Assigning functions to ASSIGN switches .....	178
Setting power saving functions .....	181
Setting the color temperature manually .....	181
Specifying an offset for the auto white balance setting .....	182
Selecting the lens file .....	182
Setting the UMID data .....	183

---

## Chapter 7 : Saving and Loading User Setting Data

<b>Handling the “Memory Stick”.....</b>	<b>185</b>
<b>Saving and Recalling User Files .....</b>	<b>186</b>
Saving user menu data to the “Memory Stick” .....	186
Loading saved data from a “Memory Stick” .....	188
Returning the user file settings to the standard settings.....	189



<b>Saving and Loading Scene Files .....</b>	<b>189</b>
Saving a scene file.....	189
Loading scene files.....	191
Returning the scene file settings to the standard settings.....	192
<b>Jumping to a File-Related Menu Page When Inserting a “Memory Stick” .....</b>	<b>192</b>

---

## **Chapter 8 : File Operations**

<b>Overview .....</b>	<b>194</b>
Directory structure .....	194
File operation restrictions.....	195
<b>File Operations in File Access Mode (for Windows) .....</b>	<b>199</b>
Making FAM connections.....	199
Operating on files.....	200
Exiting file operations.....	200
<b>File Operations in File Access Mode (for Macintosh) .....</b>	<b>201</b>
Making FAM connections.....	201
Operating on files.....	202
Exiting file operations.....	202
<b>FTP File Operations .....</b>	<b>203</b>
Making FTP connections .....	203
Command list .....	204
<b>Recording Continuous Timecode With FAM and FTP Connections .</b>	<b>208</b>

---

## **Chapter 9 : Maintenance**

<b>Testing the Camcorder Before Shooting .....</b>	<b>209</b>
Preparations for testing .....	209
Testing the camera .....	209
Testing the VDR .....	211
<b>Maintenance .....</b>	<b>213</b>
Cleaning the viewfinder .....	213
Note about the battery terminal.....	214
<b>Operation Warnings.....</b>	<b>215</b>

---

## **Appendix**

<b>Important Notes on Operation .....</b>	<b>223</b>
<b>Specifications.....</b>	<b>225</b>

General .....	225
Video camera section .....	225
Optical disc drive section .....	226
Supplied accessories.....	227
Recommended additional equipment.....	227
<b>Chart of Optional Components and Accessories .....</b>	<b>229</b>
<b>Using PDZ-1 Proxy Browsing Software .....</b>	<b>230</b>
<b>List of Supported USB Keyboards.....</b>	<b>231</b>
<b>Trademarks and Licenses .....</b>	<b>233</b>
MPEG-4 Visual Patent Portfolio License .....	233
MPEG-2 Video Patent Portfolio License.....	233
About IJG (Independent JPEG Group) .....	233
Character display software “iType” .....	233
<b>About a “Memory Stick” .....</b>	<b>234</b>
<b>Index.....</b>	<b>236</b>

# Foreword

## Before use

After purchasing this unit, before operating, it is necessary to set the region of use.

(Unless this setting is made, the unit will not operate.)

*For details of these settings, see “Setting the Area of Use” on page 40.*

### Note

Before attaching/removing optional components or accessories to/from the camcorder, be sure to turn the power of the camcorder off.

# Chapter 1 Overview

## Features

### New $2\frac{2}{3}$ -inch full-HD “PowerHAD FX” CCDs

- IT (Interline Transfer)  $2\frac{2}{3}$ -inch progressive image sensors with 2.2 million pixels, for full HD resolution (1920 × 1080)
- Newly developed “PowerHAD FX” CCDs, featuring a signal processing ASIC with 14-bit A/D converters

These new image sensor technologies enable the capture of very high-quality images, with F11 (59.94i) and F12 (50i) sensitivity and an SN ratio of 59 dB.<sup>1)</sup>

- 1) With noise suppression on (off value is 54 dB)  
Noise suppression uses proprietary Sony signal processing technology to suppress noise in high-frequency regions.

### Mechanisms for high reliability

A new duct cooling system prevents overheating inside the unit and on its surfaces, for greater reliability in high-temperature environments. Reliability is also enhanced by the drip-proof design.

Recording can continue even when the unit is subjected to jarring shocks, because data is stored in shockproof memory before being recorded to the media. Reliable recording is ensured by a recording verification function, similar to the confidence playback function of tape recorders, qualifying the unit for use in demanding broadcast applications.

### Multi-format support

The unit supports six system frequencies (1080/59.94i, 1080/29.97p, 1080/50i, 1080/25p, 720/59.94p<sup>1)</sup>, and 720/50p), offering the flexibility needed for worldwide HD recording. The optional CBKZ-MD01 SD Record and Playback Software<sup>2)</sup> can be installed to enable recording

and playback of SD signals (both NTSC and PAL), allowing a stepwise transition from SD to HD systems.

A multi-format conversion function enables up- and down-conversion between SD and HD, and cross-conversion between 1080 and 720.

Squeeze, edge cropping, and letterbox are selectable as the aspect pattern in up- and down-conversion between SD and HD.

- 1) When the current recording format is 720/59.94P, you can shoot in 23.98P mode. However, as soon as it is shot, the video undergoes 2-3 pulldown and is recorded as 59.94P.
- 2) A verification key is required to use the CBKZ-MD01 software after installation. *For details, contact a Sony service representative.*

### Note

It is not possible to combine material recorded in different system frequencies and recording formats on a single disc (although 1080/50i and 1080/25P materials can be combined).

### Recording of more than 90 minutes of high-quality video and audio data

- Signals captured by the full-HD (1920 × 1080) image sensors are recorded in MPEG HD422 format<sup>1)</sup> for consistently high image quality.<sup>2)</sup>
- The unit supports recording of four audio channels<sup>3)</sup> sampled at 24 bits for high quality.
- Dual-layer Professional discs can record about 95 minutes of high-quality video and audio data.

The generous recording times and the high-quality of the recorded video and audio allow this unit to meet the most stringent requirements of production teams in a wide range of genres, from news gathering through digital cinema and program production.

The unit supports a variety of HD formats, including formats with 720 lines of resolution.

- 1) The MPEG-2 422P@HL codec performs 4:2:2 sampling and records at a video bit rate of 50 Mbps.
- 2) Image compression uses the MPEG-2 Long GOP system.
- 3) The PDW-HD1500 supports recording of up to eight channels in MPEG HD422 format.

---

## Format compatibility with earlier models

The unit is capable of recording in the MPEG-2 MP@HL 35/25 Mbps formats used by earlier XDCAM HD devices. These formats offer longer recording times than the MPEG-2 422P@HL 50 Mbps format.

The optional CBKZ-MD01 SD Record and Playback Software <sup>1)</sup> can be installed to enable recording and playback in the MPEG IMX 50/40/30 Mbps and DVCAM 25 Mbps formats.

1) A verification key is required to use the CBKZ-MD01 software after installation. *For details, contact a Sony service representative.*

---

## Rich selection of interfaces

- HDSDI and SDDSI output connectors: Allow free combination of HDSDI and SDDSI signals. Timecode and other text data can be superimposed on signals from one of the two interfaces.
- Composite signal output connector
- Selectable video input connectors: The unit is designed to support recording in every type of environment, including reporting by pool coverage teams. The optional CBK-HD01 HD/SD SDI Input Board or CBK-SC02 Analog Composite Input Board can be installed to enable selection of HD SDI/SD SDI or composite signals. SD signals can be upconverted and recorded as HD signals.
- Gen-lock input connector: Enables synchronized operation of multiple units, with synchronization possible to either VBS or HD-Y signals.
- Audio input connectors: Supports AES/EBU signal input, in addition to microphone input, +48 V microphone input, and line input.
- Timecode input and output connectors
- Network connector and i.LINK connector: Enable transfer of MXF-format files. Material recorded in the field can be transferred to a computer for immediate cut editing with the supplied PDZ-1 Proxy Browsing Software.

---

## Features for improved performance under various shooting conditions

### Picture Cache function

The unit can utilize its internal memory to continuously record the current video input, allowing recording to commence a certain time (2

to 30 seconds) in advance of the time when the recording button is pressed, and allowing discs to be exchanged seamlessly without interrupting the recording.

### Color temperature filters

Color temperature filters are composed of electronic circuits, allowing smooth and instantaneous switching – an important advantage in ENG (Electronic News Gathering) – and linked operation with ND filters. Dedicated switches are provided to enable rapid switching between color temperature filters, and absolute color temperature settings can be recalled instantly without being effected by white balance settings.

### Noise suppression circuits

New noise suppression circuits offer improved performance under difficult evening or nighttime shooting conditions.

### Slow shutter function

A maximum of 16 frames can be accumulated using the slow shutter function. In low light levels this allows clear and noiseless video to be shot, and provides a fantasy video effect with ghost images.

### Time lapse function (interval recording)

Using this function slow-moving subjects can be shot with the movement compressed in time. This is convenient for many applications, such as monitoring plant growth, or the progress of a construction site.

### Freeze mix function

This allows a still image from previously captured video to be aligned with the current video output from the camera. Thus you can adjust the camera position to get exactly the same framing for new shots. For example, this function makes it easy to frame summer and winter shots of a landscape scene in exactly the same way.

### Digital extender function

This magnifies the center section of the video. It utilizes electronic processing, which prevents the decrease in sensitivity (F-drop) that occurs when the lens extender function is used.

### Focus magnification function

This magnifies the center section of the viewfinder by a factor of about two. It enables highly precise focus adjustments in HD shooting.

### Assignable switches

Frequently used function can be assigned to switches for quick and convenient operation.

### Hyper gamma

This enables a wide dynamic range without using the Knee function, by smoothly compressing the high-luminance range.

### Supports new digital wireless microphone system

The new digital wireless microphone system offers high-quality, superior resistance to noise, and simultaneous multi-channel operation. Installation of the DWR-S01D Digital Wireless Receiver<sup>1)</sup> enables simultaneous reception of two channels.

1) These products are not available in countries where they are prohibited by radio frequency regulations.

### 3.5-inch color LCD monitor

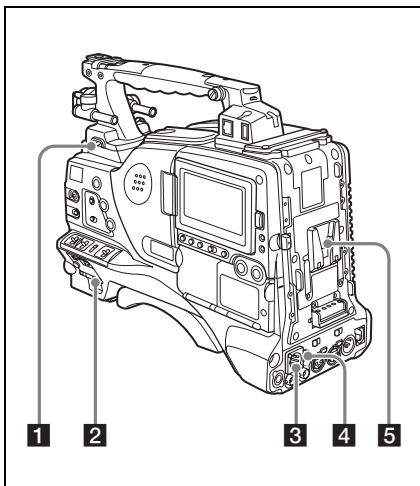
The 3.5-inch color LCD monitor displays easy-to-read audio meters, menus, disc and battery capacity indications, and thumbnails of clips stored on disc.

### Inherits unique features of XDCAM series

The unit inherits the workflow features of the XDCAM series, including thumbnail display and metadata management, and improves them by introducing an improved man-machine interface. Metadata includes new user-settable clip flags (OK/NG/KEEP) in addition to the existing Rec Start essence marks. The new metadata types enable more efficient workflows when clips recorded on this unit are edited on nonlinear editing systems.

## Locations and Functions of Parts and Controls

### Power supply



#### 1 LIGHT switch

Determines how a video light connected to the LIGHT connector (*see page 16*) is turned on and off.

**AUTO:** When the POWER switch of the video light is in the on position, the video light is turned on automatically while the camcorder is recording.

**MANUAL:** You can turn the video light on or off manually, using its own switch.

#### Notes

- When this switch is set to AUTO, at the beginning of the recording, the picture is recorded even though the lighting may fluctuate until the video light comes on. If the beginning of the recording is important, you should set this switch to MANUAL.
- To ensure proper operation of the video light, Sony recommends the use of the BP-GL95/L80S Battery Pack with the camcorder.

#### 2 POWER switch

Turns the main power supply on and off.

### 3 DC IN (DC power input) connector (XLR type, 4-pin, male)

To operate the camcorder from an AC power supply, connect an optional DC power cord to this terminal and then connect the cord to the DC output terminal of the BC-L70, BC-M150, or another battery charger.

### 4 DC OUT 12V (DC power output) connector (4-pin, female)

Supplies power for a WRR-860A/861/862 UHF Synthesized Diversity Tuner (not supplied) (maximum 0.5 A).

Do not connect any equipment other than the UHF synthesized diversity tuner.

### 5 Battery attachment shoe

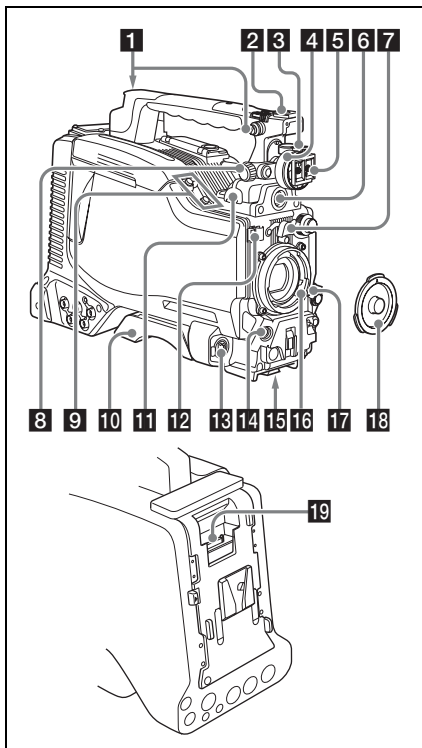
Attach a BP-GL95/GL65/L60S/L80S Battery Pack. Alternatively, you can attach an AC-DN2B/DN10 AC Adaptor to operate the camcorder on AC power supply.

*For details about how to attach the battery or AC adaptor, see "Preparing a Power Supply" on page 35. For information about attaching a synthesized tuner, see "Attaching a UHF portable tuner (for a UHF wireless microphone system)" on page 46.*

#### Note

For your safety, and to ensure proper operation of the camcorder, Sony recommends the use of the following battery packs: BP-GL95, BP-GL65, BP-L60S, and BP-L80S.

## Accessory attachments



### 1 Shoulder strap fitting

Attach the supplied shoulder strap (*see page 50*).

### 2 Light fitting shoe

Attach an optional accessory such as a video light (*see page 50*).

### 3 Viewfinder front-to-back positioning lever

To adjust the viewfinder position in the front-to-back direction, loosen this lever and the LOCK knob. After adjustment, retighten this lever and the LOCK knob.

### 4 Viewfinder left-to-right positioning ring

Loosen this ring to adjust the left-to-right position of the viewfinder (*see page 37*).

### 5 Viewfinder fitting shoe

Attach an optional viewfinder.

**6 VF (viewfinder) connector (20-pin)**

Connect an optional viewfinder.

*Consult a Sony representative for information about available viewfinders.*

**7 Lens mount securing rubber**

After locking the lens in position using the lens locking lever, fit this rubber over the lower of the two projections. This fixes the lens mount, preventing it from coming loose.

**8 Viewfinder front-to-back positioning knob (LOCK knob)**

Loosen this knob to adjust the front-to-back position of the viewfinder (*see page 37*).

**9 Fitting for optional microphone holder**

Fit an optional CAC-12 Microphone Holder (*see page 45*).

**10 Shoulder pad**

Raise the shoulder pad fixing lever to adjust the position in the front-to-rear direction. Adjust the position for maximum convenience when operating the unit on your shoulder.

*For details of the adjustment, see "Adjusting the Shoulder Pad Position" on page 51.*

**11 LIGHT (video light) connector (2-pin, female)**

A video light with a maximum power consumption of 50 W, such as the Anton Bauer Ultralight 2 or equivalent can be connected (*see page 50*).

**12 Lens cable clamp**

Clamp a lens cable.

**13 MIC IN (microphone input) (+48 V) connector (XLR type, 5-pin, female)**

Connect a stereo microphone to this connector. The power (+48 V) is supplied via this connector.

**14 LENS connector (12-pin)**

Connect a lens cable to this connector.

**Note**

When connecting the lens cable to this connector, power off this unit first.

**15 Tripod mount**

When using the unit on a tripod, attach the tripod adaptor (optional).

**16 Lens mount (special bayonet mount)**

Attach the lens.

*Consult a Sony representative for information about available lenses.*

**17 Lens locking lever**

After inserting the lens in the lens mount, rotate the lens mount ring with this lever to lock the lens in position.

After locking the lens, be sure to use the lens mount securing rubber to prevent the lens from becoming detached.

**18 Lens mount cap**

Remove by pushing up the lens locking lever. When no lens is mounted, keep this cap fitted for protection from dust.

**19 CA (camera adaptor) connector (50-pin)**

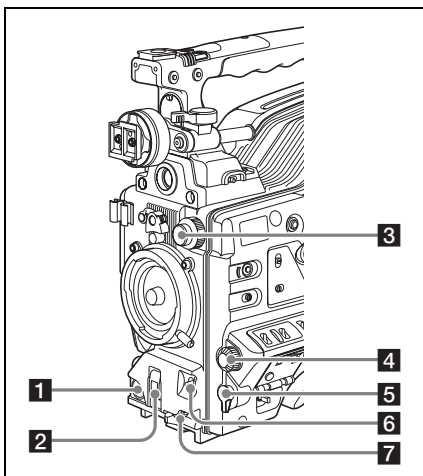
Remove the connector cover, and connect the 50-pin connector of the HDCA-702 MPEG TS Adaptor.

*Refer to the operation manual of the HDCA-702 for more information about how to mount it.*



## Operating and connectors section

### Front



#### 1 REC START (recording start) button

Press to start recording. Press it again to stop recording. The effect is the same as that of the REC button on the lens.

#### 2 SHUTTER selector

Set to ON to use the electronic shutter. Flick to SELECT to switch the shutter speed or shutter mode setting within the range previously set with the menu. When this switch is operated, the new setting appears on the setting change/adjustment progress message display area for about three seconds.

*For details about the shutter speed and shutter mode settings, see “Setting the Electronic Shutter” on page 60.*

#### 3 FILTER selector

Selects from the four neutral density (ND) filters built into this unit.

Position number	ND filter
1	CLEAR
2	$1/4$ ND (attenuates light to approximately $1/4$ )
3	$1/16$ ND (attenuates light to approximately $1/16$ )
4	$1/64$ ND (attenuates light to approximately $1/64$ )

When this selector is used with the menu item for filter selection display set to ON (see page 172), the new setting appears on the viewfinder screen for about three seconds.

You can change a MAINTENANCE menu setting so that different white balance settings can be stored for different FILTER selector positions. This allows you to automatically obtain optimum white balance for the current shooting conditions in linkage with the filter selection.

*For details, see “Adjusting the white balance” on page 56.*

#### 4 MENU knob

Changes the page selection or a setting within the menu.

*For details about how to use the MENU knob, see “Menu Operations” on page 163.*

#### 5 EARPHONE jack (monaural, minijack)

You can monitor the E-E<sup>1)</sup> sound during recording and playback sound during playback. When an alarm is indicated, you can hear the alarm sound through the earphone. You can use this with the EARPHONE jack on the rear of the unit at the same time. Plugging an earphone into the jack automatically cuts off the built-in speaker.

1) E-E: Abbreviation of “Electric-to-Electric”. In E-E mode, video and audio signals input to the camcorder are output after passing through internal electric circuits only. This can be used to check input signals.

#### 6 AUTO W/B BAL (automatic white/black balance adjustment) switch

Activates the automatic white/black balance adjustment functions.

**WHT:** Adjusts the white balance automatically.

If the WHITE BAL switch (see page 19) is set to A or B, the white balance setting is

stored in the corresponding memory. If the WHITE BAL switch is set to PRST, the automatic white balance adjustment function does not operate.

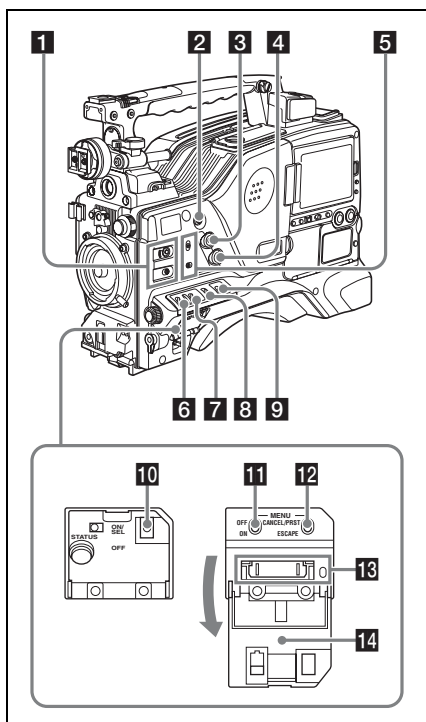
**BLK:** Adjusts the black set and black balance automatically.

## 7 MIC (microphone) LEVEL control

Adjusts the input level of audio channels 1, 2, 3 and 4.

For details, see “Adjusting the Audio Level” on page 65.

### Right side (near the front)



## 1 ASSIGN (assignable) 1/2 switches

You can assign the desired functions to these switches on the ASSIGNABLE SW page of the OPERATION menu.

Nothing is assigned to these switches when the camcorder is shipped from the factory (equivalent to a selection of OFF in the menu).

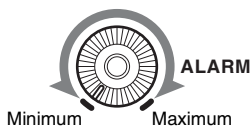
For details, see “Assigning functions to ASSIGN switches” on page 178.

## 2 COLOR TEMP. (color temperature) button

Press to light the button and change the color temperature for shooting. You can use this as an ASSIGN (assignable) switch (see page 178).

## 3 ALARM (alarm tone volume adjustment) knob

Controls the volume of the warning tone that is output via the built-in speaker or optional earphones. When the knob is turned to the minimum position, no sound can be heard. However, if the MIN ALARM VOL item on the AUDIO-1 page of the MAINTENANCE menu is set to SET, the alarm tone is audible even when this volume control is at the minimum position.



## 4 MONITOR (monitor volume adjustment) knob

Controls the volume of the sound other than the warning tone that is output via the built-in speaker or optional earphones. When the knob is turned to the minimum position, no sound can be heard.

## 5 MONITOR (audio monitor selection) switches

By means of combinations of the two switches, you can select audio that you want to hear through the built-in speaker or optional earphones.

### Position of down-side switch: CH-1/2

Position of up-side switch	Audio output
CH-1/CH-3	Channel 1 audio
MIX	Channels 1 and 2 mixed audio (stereo) <sup>a)</sup>
CH-2/CH-4	Channel 2 audio

### Position of down-side switch: CH-3/4

Position of up-side switch	Audio output
CH-1/CH-3	Channel 3 audio
MIX	Channels 3 and 4 mixed audio (stereo) <sup>a)</sup>
CH-2/CH-4	Channel 4 audio

a) By connecting stereo headphones to the EARPHONE jack on the rear of the unit, you can hear the audio in stereo. (On the AUDIO-1 page of the MAINTENANCE menu, HEADPHONE OUT must be set to STEREO.)

## 6 VDR SAVE/STBY (VDR save/standby) switch

Switches the status of the power supply to the VDR while recording is stopped (STOP) or paused (REC PAUSE).

**SAVE:** The disc stops rotating and some functions are disabled. Power consumption is lower than when the camcorder is in STBY mode. Battery life is extended.

**STBY:** Recording to the disc starts immediately when the REC START button is pressed.

### Note

An internal operating sound may be recorded at the start of recording when the VDR SAVE/STBY switch is set to SAVE.

## 7 GAIN selector

Switches the gain of the video amplifier to match the lighting conditions during shooting. The gains corresponding to the L, M, and H settings can be selected in the menu. (The factory settings are L=0 dB, M=6 dB, and H=12 dB.)

When this switch is adjusted, the new setting appears on the setting change/adjustment progress message display area of the viewfinder screen for about three seconds.

*For details, see "Setting gain values for the GAIN selector positions" on page 177.*

## 8 OUTPUT/DCC (output signal/dynamic contrast control) switch

Switches the video signal, which is output to the video disc drive (referred to as "VDR"), viewfinder, and video monitor from the camera section, between the following two.

**BARS:** Outputs the color bar signal.

**CAM:** Outputs the video signal from the camera. When this is selected, you can switch DCC<sup>1)</sup> on and off.

1) **DCC (Dynamic Contrast Control):** Against a very bright background with the iris opening adjusted to the subject, objects in the background will be lost in the glare. The DCC function will suppress the high intensity and restore much of the lost detail and is particularly effective in the following cases.

- Shooting people in the shade on a sunny day

- Shooting a subject indoors, against a background through a window
- Any high contrast scene

## 9 WHITE BAL (white balance memory) switch

Controls adjustment of the white balance.

**PRST:** Adjusts the color temperature to the preset value (the factory default setting: 3200K). Use this setting when you have no time to adjust the white balance.

**A or B:** Recall the white balance adjustment settings already stored in A or B. Flick the AUTO W/B BAL switch (*see page 17*) on the WHT side, to automatically adjust the white balance, and save the adjustment settings in memory A or memory B.

You can use the AUTO W/B BAL switch even when ATW<sup>1)</sup> is in use.

**B (ATW):** When this switch is set to B and WHITE SWITCH <B> is set to ATW on the WHITE SETTING page of the OPERATION menu, ATW is activated.

When this switch is adjusted, the new setting appears on the setting change/adjustment progress message display area of the viewfinder screen for about three seconds.

1) **ATW (Auto Tracing White Balance):** The white balance of the picture being shot is adjusted automatically for varying lighting conditions.

## 10 STATUS ON/SEL/OFF (menu display on/page selection/display off) switch

To enable this switch, set the MENU ON/OFF switch to OFF.

Closing the cover automatically sets the MENU ON/OFF switch to OFF.

**ON/SEL:** Each time this switch is pushed upward, a window to confirm the menu settings and status of the camcorder appears on the viewfinder screen. The window consists of four pages, which are switched each time the switch is pushed upward. Each page is displayed for about 10 seconds.

**OFF:** To clear the page immediately after display, push this switch down to the OFF position.

You can select the pages to be displayed on the menu.

*For details, see "Displaying the status confirmation screens" on page 176.*

**11 MENU ON/OFF switch**

To use this switch, open the cover.

This switch is used to display the menu on the viewfinder screen or the test signal screen.

Closing the cover automatically sets this switch to OFF.

**ON:** Displays the menu on the viewfinder screen or the test signal screen.

**OFF:** Removes the menu from the viewfinder screen or the test signal screen.

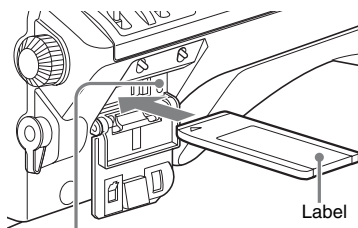
**12 CANCEL/PRST (preset)/ESCAPE switch**

To enable this switch, set the MENU ON/OFF switch to ON.

Closing the cover automatically sets the MENU ON/OFF switch to OFF.

**CANCEL/PRST:** Flicking this switch up to this position displays the message to confirm whether the previous settings are cancelled or settings are reset to their initial values, depending on the menu operating condition. Flicking this switch up to this position again cancels the previous settings or resets the settings to their initial values.

**ESCAPE:** Use this switch when the menu page, which has a hierarchical structure, is opened. Each time the switch is flicked to this position, the page returns to one stage higher in the hierarchy.

**13 “Memory Stick” compartment**

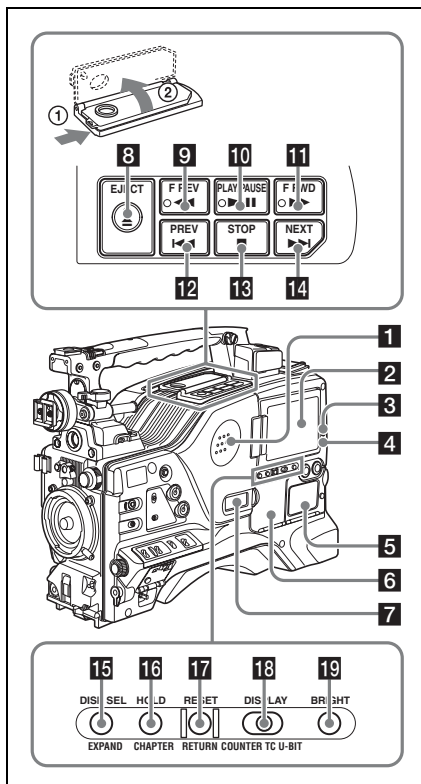
“Memory Stick” Access indicator

Open the lid of the menu operating section, and insert a “Memory Stick”, with the notch facing downward, in the direction shown by the arrow, so that it clicks into place.

To remove a “Memory Stick”, first press it in to release the lock, then withdraw.

The “Memory Stick” access indicator lights in green when a “Memory Stick” is loaded, and lights in red when the “Memory Stick” is being accessed for reading or writing.

For details about “Memory Stick”, see “Handling the “Memory Stick”” on page 185.

**14 Cover****Right side (near the rear)****1 Built-in speaker**

The speaker can be used to monitor E-E sound during recording, and playback sound during playback. The speaker also sounds alarms to reinforce visual warnings.

If you connect earphones to the EARPHONE jack, the speaker output is suppressed automatically.

For details about alarms, see “Operation Warnings” on page 215.

**2 LCD monitor**

Displays camera video, VDR-related warnings, remaining battery capacity, remaining disc capacity, audio levels, time data, and so on.

For details, see “Status Display on the LCD monitor and monochrome LCD” on page 22.

### **3 WARNING indicator**

Lights up or flashes when an abnormality occurs in the VDR section.

For details about the meaning of the states of the WARNING indicator, see “Operation Warnings” on page 215.

### **4 ACCESS indicator**

This lights when data is written to or read from the disc.

### **5 Protection cover of the audio control section**

Open to access the audio control section (see page 26).

### **6 Protection cover of the GUI screen operations section**

Open to access the GUI screen operations section (see page 26).

### **7 Monochrome LCD**

This shows the remaining battery capacity, remaining disc capacity, time data, and so on.

For details, see “Status Display on the LCD monitor and monochrome LCD” on page 22.

### **8 EJECT button and indicator**

Press this button to insert a disc or eject the disc. The indicator flashes while the disc is being ejected.

### **9 F REV (fast reverse) button and indicator**

This plays back at high speed in the reverse direction. The indicator lights during high-speed playback in the reverse direction.

### **10 PLAY/PAUSE button and indicator**

Press this button to view play back video images using the viewfinder screen or the LCD monitor. The indicator lights during playback.

Press this button again during playback to pause, outputting a still image. At this time the indicator flashes.

This unit is equipped with an image search function at approximately four times normal playback speed, for easy checking of recorded material. To use the image search function at

approximately four times normal playback speed, press the F REV button or F FWD button during playback.

At this time the PLAY indicator and F REV or F FWD indicator light.

### **11 F FWD (fast forward) button and indicator**

This plays back at high speed in the forward direction. The indicator lights during high-speed playback in the forward direction.

### **12 PREV button**

This jumps to the first frame of the current clip. During the jump, the F REV indicator flashes. If you press this together with the F REV button, the jump is to the first frame of the first recorded clip on the disc.

### **13 STOP button**

Press this button to stop disc playback.

### **14 NEXT button**

This jumps to the first frame of the next clip. During the jump, the F FWD indicator flashes. If you press this together with the F FWD button, the jump is to the last frame of the last recorded clip on the disc.

### **15 DISP SEL (display selection)/EXPAND (expand function) button**

With each press of this button, the display in the LCD monitor changes as follows.

Display indication	Meaning
Video with superimposed information (CHAR)	The LCD monitor displays the same text information as the viewfinder.
Video without superimposed information (MONI)	The video only appears.
Status display (STATUS)	Counter indications, warnings, audio levels, and similar information appear. No video image appears.

If you press this button when the thumbnail screen is displayed, the duration of the selected clip is divided into 12, and the first frame of each of the divisions is shown in a further thumbnail display (expand function). Each time you press this button, the division is repeated (to a maximum of three times, with 1,728 divisions).

Hold down the SHIFT button and press this button to step back through the division process.

For details of the expand function, see page 105.

### 16 HOLD (display hold)/CHAPTER (chapter function) button

Pressing this button instantly freezes the time data displayed in the counter display section. (The timecode generator continues running.) Pressing this button again releases the hold.

You can use this button, for example, to determine the exact time of a particular shot.

For details of the counter display, see page 23.

If you press this button when the clip thumbnail screen is displayed, those frames on which shot marks are recorded appear in a list (chapter function). Press the button once more to return to the normal thumbnail display.

By displaying thumbnails with shot marks attached in place of index frames, you can check the contents of clips more easily and more quickly. This is also useful for cueing up long clips.

For details of the chapter function, see page 106

### 17 RESET/RETURN button

Resets the value shown in the time counter display. According to the settings of the PRESET/REGEN/CLOCK switch (see page 26) and the F-RUN/SET/R-RUN switch (see page 26), this button resets the display as follows.

Settings of switches	To reset
<b>DISPLAY switch:</b> COUNTER	Counter to 0:00:00:00
<b>DISPLAY switch:</b> TC	Timecode to 00:00:00:00
<b>PRESET/REGEN/ CLOCK switch:</b> PRESET	
<b>F-RUN/SET/R-RUN switch:</b> SET	
<b>DISPLAY switch:</b> U-BIT	User bits data <sup>a)</sup> to 00 00 00
<b>PRESET/REGEN/ CLOCK switch:</b> PRESET	
<b>F-RUN/SET/R-RUN switch:</b> SET	

a) Of the timecode bits for every frame recorded on the disc, those bits which can be used to record useful

information for the user such as scene number, shooting place, etc.

For details, see "Setting the Time Data" on page 68.

This button returns to the previous screen when pressed during thumbnail display.

For details, see "GUI screen operations" on page 103.

### 18 DISPLAY switch

This cycles the data displayed in the counter display through the sequence COUNTER, TC, and U-BIT.

**COUNTER:** Display the elapsed recording/playback time (hours, minutes, seconds, frames).

**TC:** Display timecode.

**U-BIT:** Display user bit data.

For details, see "Status Display on the LCD monitor and monochrome LCD" on page 22.

### 19 BRIGHT (brightness) button

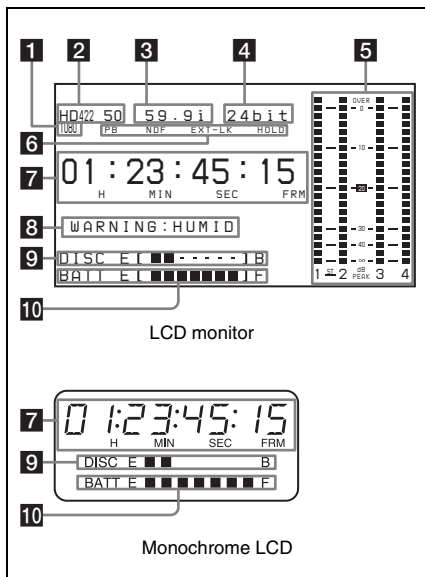
Switches the brightness of the LCD monitor backlight, and turns the backlight of the monochrome LCD on and off.

Each press of the button selects the next setting in the order shown in the following table.

Setting	LCD monitor backlight	Monochrome LCD backlight
H	High (select this to view the LCD monitor outdoors in the daytime)	Lit
M	Brightness between H and L	Lit
L	Low (select this to view the LCD monitor indoors or outdoors at night)	Lit
OFF	Off (the display is also off)	Off

### Status Display on the LCD monitor and monochrome LCD

The following display appears on the LCD monitor display which is set to STATUS with the DISP SEL/EXPAND button, and on the monochrome LCD.



### 1 Resolution

Indicates the resolution of HD output video.

Indication	Resolution (horizontal × vertical)
1080	1080 lines (1920 × 1080)
720	720 lines (1280 × 720)

### 2 Video format

Indicates the format of video being currently played back or recorded.

Indication	Format	Bit rate
HD422 50	MPEG HD422	50 Mbps
HD420 HQ/SP/ LP <sup>a)</sup>	MPEG HD420	35/25/18 Mbps
IMX 50/40/30	MPEG IMX	50/40/30 Mbps
DVCAM	DVCAM	25 Mbps

a) LP is playback only.

### 3 System frequency

Indicates the system frequency of video being currently played back or recorded.

If NTSC AREA is selected<sup>1)</sup>

Indication	Field or frame rate	Scan mode
59.9i	59.94 fields per second	Interlace
59.9P	59.94 frames per second	Progressive

Indication	Field or frame rate	Scan mode
29.9P	29.97 frames per second	Progressive

If PAL AREA is selected<sup>1)</sup>

Indication	Field or frame rate	Scan mode
50i	50 fields per second	Interlace
50P	50 frames per second	Progressive
25P	25 frames per second	Progressive

1) Selected by COUNTRY setting on the FORMAT page of the OPERATION menu (see page 135).

### Note

There may be no indication displayed when this unit cannot identify the system frequency, for example, when playing back a disc recorded with other equipment.

### 4 Audio format

Indicates the format of audio being currently played back or recorded.

Indication	Quantization bit rate/sampling frequency
24bit	24 bits/48 kHz
16bit	16 bits/48 kHz

### 5 Audio level indicators

Indicates the audio recording or playback levels of channels 1 to 4.

### 6 Status display

**PB:** Appears during playback.

**NDF:** Appears when non-drop-frame timecode is selected.

**EXT-LK:** Appears when the internal timecode generator is locked to an external signal input to the TC IN (timecode input) connector.

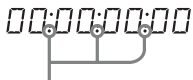
**HOLD:** Appears when the internal timecode generator is stopped.

### 7 Time counter display

Switches displays of time counter, timecode, and user bits, depending on the position of the DISPLAY switch.

When the HOLD/CHAPTER button is pressed to hold the timecode value, the timecode is displayed in the format shown below. When the HOLD/CHAPTER button is pressed again to

release the hold, the timecode is displayed in the normal format.



Lights when the HOLD/CHAPTER button is pressed.

### **8** Warning indicator area

Displays warnings when trouble with recording or moisture condensation occurs.

*For details, see "Operation Warnings" on page 215.*



## 9 Remaining disc capacity indicator

Indication	Remaining recording time
DISC E [■ ■ ■ ■ ■ ■ ■ ■] B	More than 30 minutes
DISC E [■ ■ ■ ■ ■ ■ ■ ] B	25 to 30 minutes
DISC E [■ ■ ■ ■ ■ ■ ] B	20 to 25 minutes
DISC E [■ ■ ■ ■ ■ ] B	15 to 20 minutes
DISC E [■ ■ ■ ■ ] B	10 to 15 minutes
DISC E [■ ■ ■ ] B	5 to 10 minutes
DISC E [■ ■ ] B	2 to 5 minutes
DISC E [■ ] B (flashing)	0 to 2 minutes
DISC E [ ] B (flashing)	0 minutes

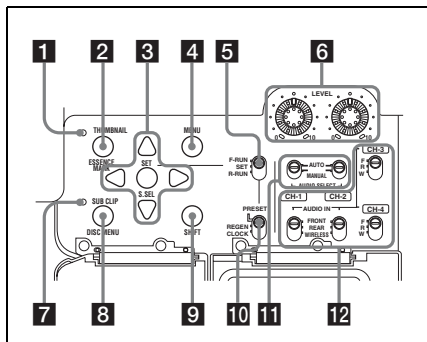
## 10 Remaining battery capacity indicator

Indication	Battery voltage	
	BP-L90A/L60S/L80S	Other batteries <sup>a)</sup>
BATT E [■ ■ ■ ■ ■ ■ ■ ■] F	15.5 V or more	17.0 V or more
BATT E [■ ■ ■ ■ ■ ■ ■ ] F	15.1 to 15.5 V	16.0 to 17.0 V
BATT E [■ ■ ■ ■ ■ ■ ] F	14.6 to 15.1 V	15.0 to 16.0 V
BATT E [■ ■ ■ ■ ■ ] F	13.8 to 14.6 V	14.0 to 15.0 V
BATT E [■ ■ ■ ■ ] F	12.9 to 13.8 V	13.0 to 14.0 V
BATT E [■ ■ ■ ] F	12.0 to 12.9 V	12.0 to 13.0 V
BATT E [■ ■ ] F	10.8 to 12.0 V	11.0 to 12.0 V
BATT E [■ ] F	10.8 V or less	11.0 V or less

a) You can change the threshold voltages on the BATTERY 2 page of the MAINTENANCE menu (see page 148).

Indication	Battery voltage
	BP-GL95/GL65/IL75/M100, Anton Bauer Battery System
BATT E [■ ■ ■ ■ ■ ■ ■ ■] F	80 to 100%
BATT E [■ ■ ■ ■ ■ ■ ■ ]	70%
BATT E [■ ■ ■ ■ ■ ■ ■ ]	60%
BATT E [■ ■ ■ ■ ■ ■ ]	50%
BATT E [■ ■ ■ ■ ■ ]	40%
BATT E [■ ■ ■ ■ ]	30%
BATT E [■ ■ ■ ]	20%
BATT E [■ ■ ]	10%
BATT E [■ ]	0%

## GUI screen operations section and audio control section



### 1 THUMBNAIL indicator

This lights when thumbnails are displayed.

### 2 THUMBNAIL/ESSENCE MARK button

Press this button to carry out a thumbnail search or create a clip list (see page 105).

When pressed, the whole-screen display changes to a thumbnail display. Press once more to return to the whole-screen display.

For a thumbnail search using essence marks, hold down the SHIFT button and press this button (see page 106).

### 3 SET/S.SEL (set/scene selection) button and arrow buttons

Use these buttons to make timecode and user bit settings, and for GUI screen operations.

The arrow buttons select items and change values, and the SET/S.SEL button confirms settings.

Pressing this button with thumbnails displayed and the SHIFT button held down adds a sub clip to the current clip list (scene selection).

See page 103 for more information about GUI screen operations.

See page 113 for more information about scene selection.

### 4 MENU button

Displays a special menu for operations in GUI screens (see page 100).

When the whole-screen is displayed, pressing this button has no effect, and the operation is invalid.

### 5 F-RUN/SET/R-RUN (free run/set/recording run) switch

Selects the operating mode of the internal timecode generator. The operating mode is set as explained below, depending on the position of the switch.

**F-RUN:** Timecode keeps advancing, regardless of the operating state of the VDR. Use this setting when synchronizing the timecode with an external timecode.

**SET:** Sets the timecode or user bits.

**R-RUN:** Timecode advances only during recording. Use this setting to have a consecutive timecode on the disc.

For details, see "Setting the timecode" on page 68 and "Setting the user bits" on page 68.

### 6 AUDIO LEVEL CH-1/CH-2 (audio channel 1/2 recording level) knobs

Adjusts the audio levels to be recorded on channels 1 and 2 when the AUDIO SELECT CH-1/CH-2 switches are set to MANUAL.

### 7 SUB CLIP indicator

This lights when using a clip list for playback.

### 8 SUB CLIP/DISC MENU button

Press this to play back according to a clip list. You can play back a particular clip or sequential clips, or carry out a search of the selected clip list. To display the Disc Menu which allows you to carry out operations such as saving, recalling, or deleting a clip list, hold down the SHIFT button and press this button.

### 9 SHIFT button

Use this in combination with other buttons.

### 10 PRESET/REGEN (regeneration)/CLOCK switch

Selects whether to set a new timecode or to utilize the existing timecode.

**PRESET:** Records a new timecode.

**REGEN:** Records timecode continuous with the existing timecode recorded on the disc. Regardless of the setting of the F-RUN/SET/R-RUN switch, the camcorder operates in R-RUN mode.

**CLOCK:** Records timecode synchronized to the internal clock. Regardless of the setting of the F-RUN/SET/R-RUN switch, the camcorder operates in F-RUN mode.

## 11 AUDIO SELECT CH-1/CH-2 (audio channel 1/2 adjustment method selection) switches

Select the audio level adjustment method for each of audio channels 1 and 2.

**AUTO:** Automatic adjustment

**MANUAL:** Manual adjustment

## 12 AUDIO IN CH-1/CH-2/CH-3/CH-4 (audio channel 1/2/3/4 input selection) switches

### AUDIO IN CH-1/CH-2 switches

Select the audio input signals to be recorded on audio channels 1 and 2.

**FRONT:** Audio input signals from the microphone connected to the MIC IN connector

**REAR:** Audio input signals from an audio device connected to the AUDIO IN CH-1/CH-2 connectors

**WIRELESS:** Audio input signals from the UHF portable tuner (not supplied) if it is installed

### AUDIO IN CH-3/CH-4 switches

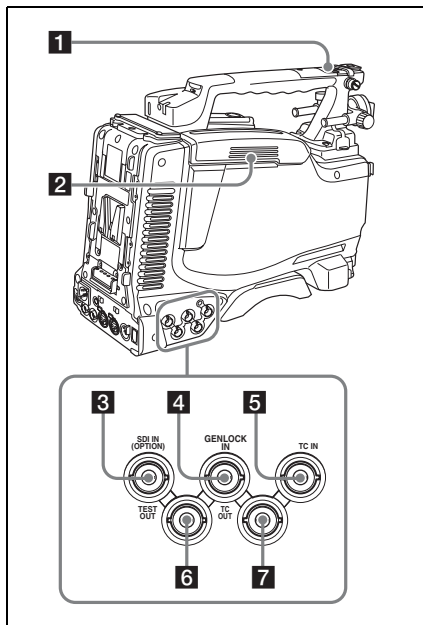
Select the audio input signals to be recorded on audio channels 3 and 4.

**F (FRONT):** Audio input signals from a microphone connected to the MIC IN connector

**R (REAR):** Audio input signals from an audio device connected to the AUDIO IN CH-1/CH-2 connectors

**W (WIRELESS):** Audio input signals from the UHF portable tuner (not supplied) if it is installed

## Left side and upper section



### 1 ASSIGNABLE 3/4 switches

You can assign the desired functions to these switches on the ASSIGNABLE page of the OPERATION menu.

Nothing is assigned to these switches when the camcorder is shipped from the factory (equivalent to a selection of OFF in the menu).

*For details, see "Assigning functions to ASSIGN switches" on page 178.*

### 2 Lid of the disc compartment

This opens when the EJECT button on the top panel is pressed. Press the side of the lid to close.

### 3 SDI IN (OPTION) connector (BNC type)

This is an input connector for the optional CBK-HD01 HD/SD SDI Input Board. When the CBK-HD01 is installed, the unit can record HD-SDI or SD-SDI signals that are input to this connector.

### 4 GENLOCK IN (genlock signal input) connector (BNC type)

- This connector inputs a reference signal when the camera is to be genlocked or when timecode is to be synchronized with external equipment.

Use the GENLOCK page of the MAINTENANCE menu to adjust the genlock H-phase (phase of horizontal sync signal).

- This connector also inputs a return video signal. You can display the HD-Y (1080i) signal in the viewfinder screen while holding the RET button down with RETURN VIDEO set to ON on the ASSIGNABLE SW page of the OPERATION menu.
- Input an external video signal. When the optional CBK-SC02 Analog Composite Input Board is installed, the unit can record analog composite video signals that are input to this connector.

### 5 TC IN (timecode input) connector (BNC type)

To apply an external lock to the timecode of this unit, input the reference timecode.

For details of timecode, see “Setting the timecode” on page 68.

### 6 TEST OUT connector (BNC type)

This connector outputs the video signal for a video monitor. The output signal can be selected from composite video, HD-Y, R, G, B, and a composite video signal like that displayed in the LCD monitor. To switch output signals, use the TEST OUT SELECT item on the OUTPUT 1 page of the OPERATION menu.

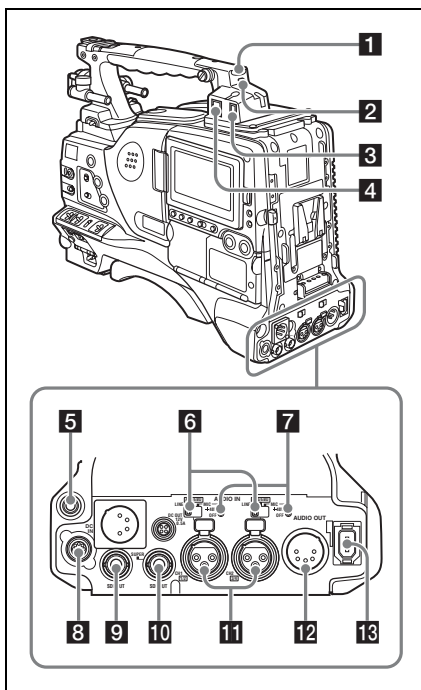
If the output signal is set to one of R, G, or B, then this setting changes to HD-Y when the camcorder is powered off and on again.

Depending on menu settings, menus, timecode, and shot data can be superimposed on the image on the monitor. This connector can also be used to synchronize the timecode of an external VTR with the timecode of the camcorder.

### 7 TC OUT (timecode output) connector (BNC type)

To lock the timecode of an external VTR to the timecode of this unit, connect this connector to the external VTR's timecode input connector.

## Rear



### 1 TALLY (back tally) indicator (red)

Lights up during recording. It will not light if the TALLY switch is set to OFF. This indicator also flashes to indicate warnings (see page 21) in the same manner as the REC/TALLY indicator in the viewfinder.

For details, see “Operation Warnings” on page 215.

### 2 TALLY switch

Set to ON to activate the TALLY indicator function.

### 3 USB connector

This is a USB 2.0 connector.

Connect a Windows USB keyboard or mouse (see page 110), or a USB flash drive to access planning metadata stored on the drive (see page 121).

### 4 (network) connector (RJ-45 type)

This is a 10BASE-T/100BASE-TX connector for network connection.

**CAUTION**

When you connect the network cable of the unit to peripheral device, use a shielded-type cable to prevent malfunction due to radiation noise.

**5 EARPHONE jack (stereo, minijack)**

You can monitor the E-E sound during recording and playback sound during playback. When an alarm is indicated, you can hear the alarm sound through the earphone. You can use this with the EARPHONE jack on the front of the unit at the same time. Plugging an earphone into the jack automatically cuts off the built-in speaker.

You can select monaural or stereo on the AUDIO-1 page of the MAINTENANCE menu.

**6 LINE /AES/EBU / MIC selectors**

These select the audio source of the audio input signals input to the AUDIO IN CH1/CH2 connectors.

**LINE:** Line input audio equipment

**AES/EBU:** AES/EBU format audio signal

**MIC:** Microphone input

**Note**

When these switches are in the MIC position, and the +48V/OFF switch is set to +48V, if you inadvertently connect any audio device other than a microphone to the AUDIO IN CH1/CH2 connectors, the device may be damaged.

**7 +48V/OFF switches**

Select either of the following positions for the microphones to be connected.

**+48V:** For a microphone to use an external power supply

**OFF:** For a microphone to use an internal power supply

**8 REMOTE connector (8-pin)**

Connect an RM-B150/B750 Remote Control Unit, which makes it possible to control the camcorder remotely.

**Note**

Before connecting/disconnecting the Remote Control Unit to/from the camcorder, be sure to turn off the camcorder POWER switch.

**9 SDI OUT 1 connector (BNC type)**

Outputs an HDSDI or SDSDI signal (with embedded audio). To switch between HDSDI and SDSDI output, use the SDI OUT 1 SELECT item

on the OUTPUT 1 page of the OPERATION menu.

**10 SDI OUT 2 connector (BNC type)**

Outputs an HDSDI or SDSDI signal (with embedded audio). To switch between HDSDI and SDSDI output, use the SDI OUT 2 SELECT item on the OUTPUT 1 page of the OPERATION menu.

Setting menus, timecode, or shot data can be superimposed on the camera output video depending on the menu settings, and you can view them on the monitor screen.

**11 AUDIO IN CH1/CH2 (audio channel-1 and channel-2 input) connectors (XLR type, 3-pin, female)**

These are audio input connectors for channels 1 and 2 to which you can connect audio equipment or a microphone.

When the LINE / AES/EBU / MIC selector is set to AES/EBU, the CH1 connector is used for channel-1 and -2 inputs, and the CH2 connector, for channel-3 and -4 inputs.

**12 AUDIO OUT connector (XLR type, 5-pin, male)**

Outputs the audio signals recorded on audio channels 1 and 2 or audio channels 3 and 4. The audio signals are selected by the MONITOR switch.

**13 i.LINK S400 connector (6-pin, IEEE1394 compliant)**

Use an i.LINK cable (DV cable) to connect the camcorder to a computer for File Access Mode file operations.

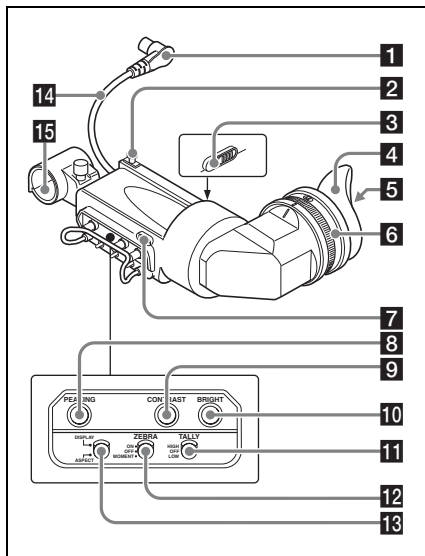
*For details, see "File Operations in File Access Mode (for Windows)" on page 199.*

**Note**

When you connect the camcorder and other equipment, such as a hard disk drive, with an i.LINK interface to a computer with i.LINK connectors, turn off the power of the computer, the other equipment, and the camcorder before connecting them using the i.LINK cable (DV cable). If a bus-powered type<sup>1)</sup> hard disk drive or similar equipment is connected while the computer is powered on, electric current flows into the camcorder because of the high voltage caused by the load shift of the computer power, and this may cause a malfunction.

1) Equipment that can be powered through i.LINK cable (DV cable)

## HDVF-20A viewfinder (optional)



### 1 Plug

Connect to the VF connector on the camcorder.

### 2 Stopper

Prevents the viewfinder from coming off the camcorder when it is slid from side to side.

### 3 Camera operator tally indicator

Lights up while camcorder is recording. This indicator can be covered when not in use. This indicator also flashes to indicate warnings, in the same manner as the tally indicator and the REC indicator in the viewfinder.

### 4 Eyecup

### 5 Indicators and status display

For details, see “Status display on the viewfinder screen” on page 31.

### 6 Diopter adjustment ring

Allows for optimal focus adjustment.

### 7 Tally indicator

Lights up while camcorder is recording. Set the TALLY switch to OFF when not in use. The brightness can also be adjusted with the TALLY switch.

This indicator also flashes to indicate warnings, in the same manner as the camera operator tally indicator and the REC indicator in the viewfinder.

### 8 PEAKING control

Turning this control clockwise adjusts the picture sharpness, and makes focusing easier. This control has no effect on the output signals of the camcorder.

### 9 CONTRAST control

Adjusts the contrast of the screen. This control has no effect on the output signals of the camcorder.

### 10 BRIGHT control

Adjusts the brightness of the screen. This control has no effect on the output signals of the camcorder.

### 11 TALLY switch

Controls the tally indicator located on the front of the viewfinder.

**HIGH:** The tally indicator brightness is set to high.

**OFF:** The tally indicator is disabled.

**LOW:** The tally indicator brightness is set to low.

### 12 ZEBRA (zebra pattern) switch

Controls the zebra pattern display on the viewfinder screen as follows.

**ON:** A zebra pattern appears and stays.

**OFF:** The zebra pattern disappears.

**MOMENT:** A zebra pattern appears and stays for about five seconds.

### 13 DISPLAY/ASPECT switch

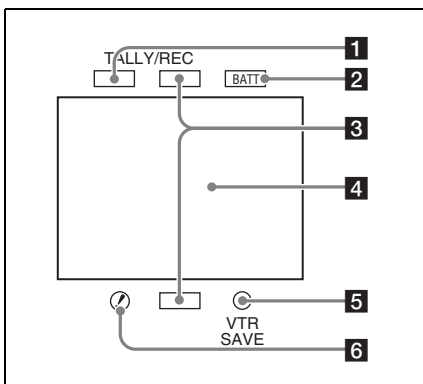
Turns the marker indication on and off, and switches between 4:3 and 16:9 aspect ratios for viewfinder screen display.

**DISPLAY:** When the marker indication is enabled with the camcorder, the marker indication on the viewfinder screen turns on and off every time you push the switch up to this position.

**ASPECT:** Each push of the switch down to this position toggles the mask display on and off. (Make mask display settings on the MARKER 1 page of the OPERATION menu (see page 132).)

**14 Viewfinder cable****15 Microphone holder****Status display on the viewfinder screen****Indicators**

The following indicators are arranged above and below the viewfinder screen to show the current state and adjustments of the camcorder.

**1 TALLY (green tally) indicator**

Lights when the camcorder is the following states.

- Picture Cache mode enabled
- Disc Exchange Cache mode enabled
- Recording with HDSHI REMOTE I/F on the CAM CONFIG 1 page of the MAINTENANCE menu set to G-TLY

Flashes when the camcorder is the following states.

- Set to Auto Interval Rec mode or the consecutive mode of Manual Interval Rec mode (1 flash per second)
- Recording in Auto Interval Rec mode or recording in the consecutive mode of Manual Interval Rec mode (4 flashes per second)
- Set to the single-shot mode of Manual Interval Rec mode, or recording in that mode (2 flashes per second)

**2 BATT (battery) indicator**

This indicator starts flashing when the battery connected to the camcorder is nearly exhausted,

and stays lit when the battery is completely exhausted.

To prevent interruption during operation, replace the battery as soon as this indicator starts flashing.

*The battery power level at which the indicator starts flashing can be set on the BATTERY 1 page of the MAINTENANCE menu. For details, see page 147.*

**3 REC (recording, red tally) indicator**

Lights up while camcorder is recording.

This indicator also flashes to indicate warnings, in the same manner as the tally indicator and the camera operator tally indicator.

**4 Viewfinder screen****5 VTR SAVE indicator**

This indicator lights when the VDR SAVE/STBY switch is set to SAVE, putting the VDR into power save mode.

**6 ! (warning) indicator**

This indicator lights when any of the following conditions occurs with the corresponding item set to ON on the '!' LED page of the OPERATION menu.

- The gain is set to other than 0 dB.
- The SHUTTER selector is set to ON.
- The WHITE BAL switch is set to PRST.
- ATW is enabled.
- The lens extender is used.
- The FILTER selector is set to other than ND:1.
- The reference value of auto iris adjustment is not the standard value.

**Layout of the status display on the viewfinder screen**

The viewfinder screen displays not only the video picture but also characters and messages indicating the camcorder settings and operating status, a center marker, a safety zone marker, etc. When the menu screen is not displayed and the DISPLAY of the DISPLAY/ASPECT switch is set to ON, the items for which an ON setting was made on the VF DISP 1, VF DISP 2, or VF DISP 3 page of the OPERATION menu or with related switches are displayed at the top and bottom of the screen.

The messages that give details of the settings and adjustment progress and results can also be made to appear for about three seconds while settings

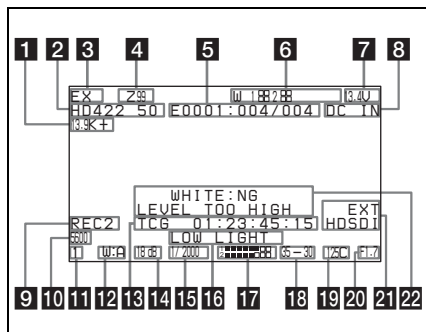
are being changed, during adjustment, and after adjustment.

For details about the display item selection, see “Selecting the display items” on page 171.

For details about setting change and adjustment progress messages, see “Change confirmation/adjustment progress messages” on page 172.

For details about marker display, see “Setting the marker display” on page 173.

All items that can be displayed on the viewfinder screen are shown below.



## 1 Color temperature

Displays a color temperature calculated from the gain of R and B, in the range 0.0 K to 99.9 K (in steps of 0.1 K). The +/- signs may be displayed depending on the OFFSET WHT setting (see page 182).

**No display:** OFFSET WHT is OFF

**+**: The value of OFFSET WHT is greater than 3200K.

**-**: The value of OFFSET WHT is less than 3200K.

## 2 Video format

Indicates the format of video being currently played back or recorded (see page 54).

The video aspect ratio (16:9 or 4:3) can also be displayed when the recording format is set to IMX 50, IMX 40, IMX 30, or DVCAM.

## 3 Extender

Displays the extender settings of this unit and the lens.

**EX:** The lens extender is on.

**08:** The lens shrinker is on.

**x2D:** This unit's extender function is on.

**Ex2D:** The lens extender and the digital extender function of this unit are both on.

## 4 Zoom position

Indicates the zoom position of the zoom lens in the range from 0 to 99.

## 5 Clip information

Displays clip information during playback.

**During clip playback and search (when title display is off):** Displays the clip number and total number of clips.

**During clip playback and search (when title display is on):** Displays the title specified in planning metadata as the clip name, according to the setting of Planning Clip Name in Clip Info. Area in the Disc Menu (see page 123).

**During clip list playback:** Displays the name of the clip list, the sub clip number, and the total number of sub clips.

## 6 Wireless microphone reception level

When a UHF portable tuner is installed in the camcorder, “W” appears together with four-segment reception level indicators for each of the channels (1 or 2 channels) that can be used by the tuner. The indications are as follows.

**Normal use:** The number of white segments indicates the strength of the signal level.

**Muted:** The number of gray segments indicates the strength of the signal level.

**Reception level over peak:** “P” is displayed instead of the indicators. <sup>1)</sup>

**Tuner battery is low:** The channel number and indicator of the corresponding channel flash. <sup>1)</sup>

<sup>1)</sup> DWR-S01D only

## 7 Power source voltage/battery remaining capacity

When the unit is powered from a battery pack, indicates the remaining capacity of the power source voltage. When the unit is powered from a battery connected to the DC IN connector or AC adaptor connected to the battery attachment shoe, indicates the power source voltage.

## 8 External battery

Appears if the power is supplied from an AC adaptor connected to the DC IN connector.



## 9 Controlling external device

Appears when HDSDI REMOTE I/F in the CAM CONFIG 1 page of the MAINTENANCE menu is set to CHARA, and this unit is controlling recoding by an external device connected to the SDI OUT 1/2 connectors (HDSDI output).<sup>1)</sup>

1) SDI OUT 1 SELECT or SDI OUT 2 SELECT on the OUTPUT 1 page of the OPERATION menu must be set to HDSDI.

## 10 Electric color temperature filter

Appears when the CC 5600K function is set to ON.

## 11 Filter

Indicates the currently selected filter type (see page 17).

When the function that switches between electrical CC filters has been assigned to an ASSIGN switch (see page 59), and when a remote control unit has been connected, the electrical CC filter position (A, B, C, or D) appears to the right side of the ND filter display (1 to 4).

## 12 White balance memory

Indicates the currently selected white balance automatic adjustment memory.

**A:** Displayed when the WHITE BAL switch is set to A.

**B:** Displayed when the WHITE BAL switch is set to B.

**P:** Displayed when the WHITE BAL switch is set to PRST or when the preset button on an RM-B150 has been pushed.

**T:** Displayed when ATW is being used.

**3200:** Displayed when the COLOR TEMP SW 3200K function is set to ON.

**4300:** Displayed when the COLOR TEMP SW 4300K function is set to ON.

**5600:** Displayed when the COLOR TEMP SW 5600K function is set to ON.

**6300:** Displayed when the COLOR TEMP SW 6300K function is set to ON.

## 13 Timecode

Indicates the elapsed recording/playback time, timecode, user bits or other information selected by the DISPLAY switch (see page 22).

## 14 Gain value

Indicates the gain value (in dB) of the video amplifier, as set by the GAIN selector.

## 15 Shutter speed

Indicates the shutter speed or the shutter mode. However, if the SHUTTER selector (see page 17) is set to OFF, nothing is displayed.

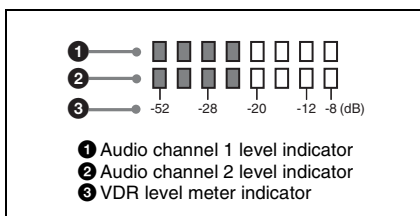
For details of the displayed shutter speed, see "Setting the Electronic Shutter" on page 60.

## 16 Operation/alarm message display area

For details, see "Operation/alarm messages" on page 218.

## 17 Audio level

Indicates the level of audio channel 1 and channel 2. The peak indication of the VDR level meter is related as follows to the audio level.



The segment colors change from gray to white at or above the AU REF LEVEL set on the AUDIO-2 page of the MAINTENANCE menu. This setting does not affect the relationship between the number of lit segments and the audio levels. The example in the above figure shows the colors when AU REF LEVEL is set to -20 dB.

## 18 Remaining disc capacity

Indicates the remaining recording time (in minutes) of the disc.

## Examples of remaining recording time indication

Indication	Remaining recording time
⋮	⋮
110 <	120 to 110 minutes
100 <	110 to 100 minutes
90 <	100 to 90 minutes
90 - 85	90 to 85 minutes
85 - 80	85 to 80 minutes
⋮	⋮
20 - 15	20 to 15 minutes
15 - 10	15 to 10 minutes
10 - 5	10 to 5 minutes
5MIN (flash)	5 minutes
4MIN (flash)	4 minutes
3MIN (flash)	3 minutes
2MIN (flash)	2 minutes
1MIN (flash)	1 minutes
0MIN (flash)	0 minutes

### 19 Remaining clips display

Displays the remaining number of clips that can be recorded. The display flashes once per second when the number of remaining clips is less than 10.

### 20 Iris setting/auto iris override

Indicates the F value (iris setting) of the lens. Auto iris override is shown by an indicator made up of two segments each on the upper and lower sides.

*For details, see “Changing the Reference Value for Automatic Iris Adjustment” on page 63.*

### 21 External input status

When the REC VIDEO SOURCE item on the SOURCE SEL page of the OPERATION menu has been set to EXT, then “EXT” and the signal type (HDSDI, SDSDI, or VBS) flashes when a valid signal is input to this unit.

*For details, see “Recording video from external devices” on page 93.*

### 22 Setting change and adjustment progress message display area

*For details, see “Change confirmation/adjustment progress messages” on page 172.*

## Preparing a Power Supply

For safety, use only the Sony battery packs and AC adaptors listed below.

- BP-GL95/GL65/L60S/L80S Lithium-ion Battery Pack
- AC power using the AC-DN2B/DN10 AC adaptor

### Using a battery pack

When a BP-GL95/GL65/L60S/L80S Battery Pack is used, the camcorder will operate continuously for the time shown below.

Model name	Operating time
BP-GL95	Approx. 120 minutes
BP-GL65	Approx. 75 minutes
BP-L60S	Approx. 75 minutes
BP-L80S	Approx. 100 minutes

#### Note

The battery pack operating time depends on the frequency of use of the battery pack, and the ambient temperature when used.

Before use, charge the battery pack with a charger suitable for each battery.

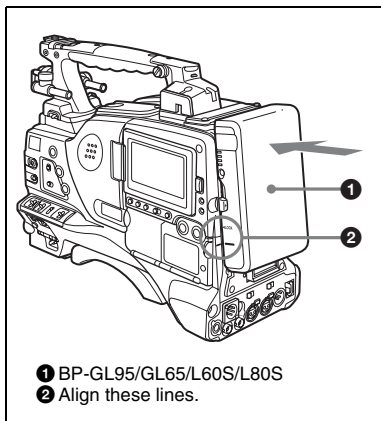
For details on the battery charging procedure, refer to the battery charger operation manual.

#### Note on using the battery pack

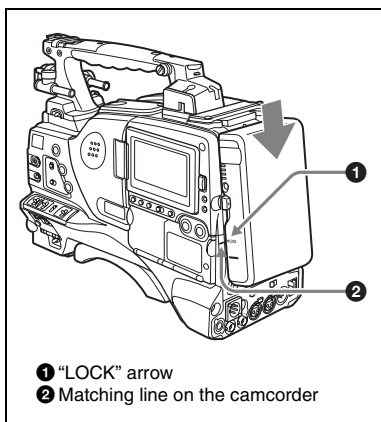
A warm battery pack may not be able to be fully recharged.

### To attach the battery pack

- 1 Press the battery pack against the back of the camcorder, aligning the line on the side of the battery pack with the matching line on the camcorder.**



- 2 Slide the battery pack down until its “LOCK” arrow points at the matching line on the camcorder.**

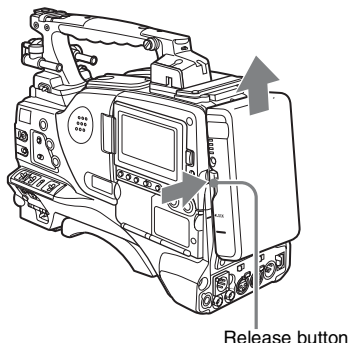


#### Note

If the battery pack is not attached correctly, the terminal may be damaged.

### To detach the battery pack

Holding the release button in, pull the battery pack up.



### Notes

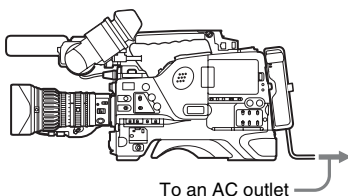
- During recording and playback (while the ACCESS indicator is lit), be careful never to remove the battery pack.
- Make sure to power the camcorder off before replacing the battery pack.

## Using AC power

### When using the AC-DN10 AC adaptor

Mount an AC-DN10 on the camcorder in the same way as a battery pack, then connect to the AC power supply.

The AC-DN10 can supply up to 100 W of power.



## Attaching the Viewfinder

### CAUTION

When the viewfinder is attached, do not leave the camcorder with the eyepiece facing the sun. Direct sunlight can enter through the eyepiece, be focused in the viewfinder and cause fire.

### Note

The viewfinder is supplied separately.

## Attaching the HDVF-20A/C35W

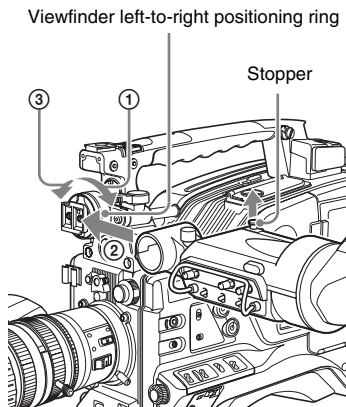
### Note

When attaching the viewfinder, make notes of the following points.

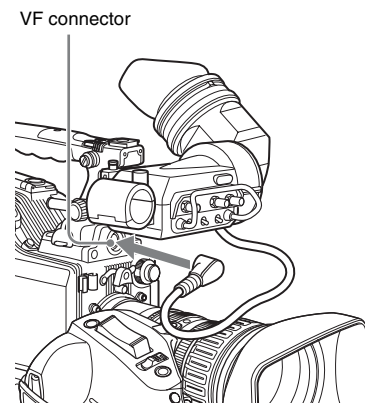
- Be sure to power off the camcorder before coupling the viewfinder connector to the camcorder's VF connector. If you make this connection when the camcorder power is on, the viewfinder may not function properly.
- Couple the viewfinder connector firmly to the camcorder's VF connector. If the coupling is loose, noise may appear on the video or the tally light may not operate properly.

*For more information about the connection of the viewfinder and camcorder, contact a Sony service representative.*

- 1 ① Loosen the viewfinder left-to-right positioning ring, ② attach the viewfinder to the viewfinder fitting shoe, and ③ tighten the viewfinder left-to-right positioning ring.



## 2 Couple the viewfinder connector to the VF connector.

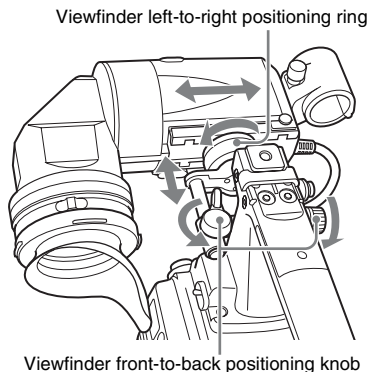


### Detaching the viewfinder

You can carry out this by following the attaching procedure in reverse order, but there is an additional action to take: when detaching the viewfinder from the fitting shoe, pull up the stopper.

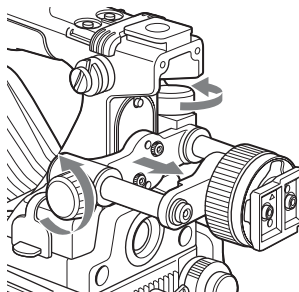
### Adjusting the viewfinder position

To adjust the viewfinder left-right position, loosen the left-right positioning ring, and to adjust the front-back position, loosen the front-to-back positioning knob.

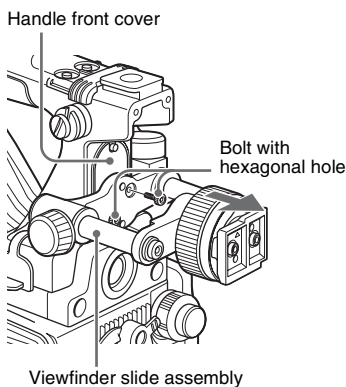


### Moving the viewfinder shoe up

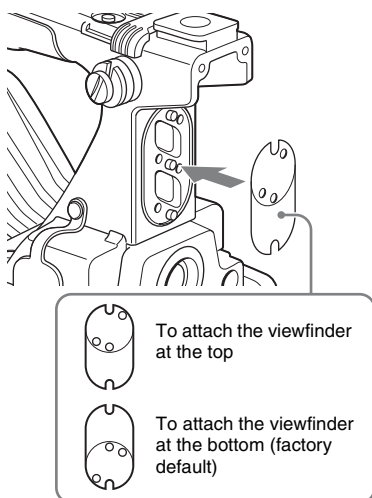
- 1 Loosen the front-to-back viewfinder positioning levers and the front-to-back viewfinder positioning knobs, and then pull the viewfinder slide assembly forward.



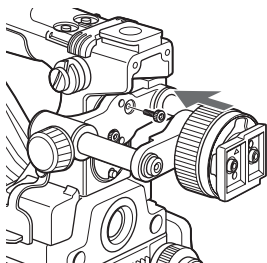
- 2 Using a 2.5 mm diameter hexagonal wrench, detach the viewfinder slide assembly and handle front cover.



- 3** Attach the handle front cover with the bottom edge up.

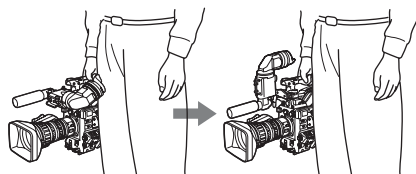


- 4** Attach the viewfinder slide assembly, reversing the steps of the removal procedure.

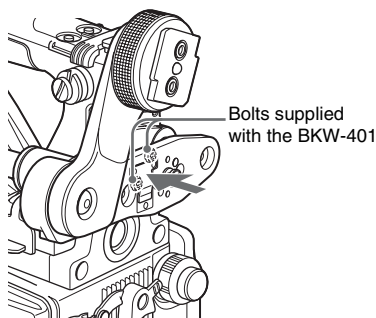


## Using the BKW-401 Viewfinder Rotation Bracket

By fitting a BKW-401 Viewfinder Rotation Bracket (not supplied), you can rotate the viewfinder out of the way so that your right leg does not hit the viewfinder while you are carrying the camcorder.

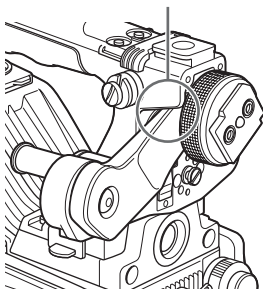


- 1** Carry out steps 1 and 2 of the previous section “Moving the viewfinder shoe up” to detach the viewfinder slide assembly.
- 2** Attach the BKW-401 with the supplied bolts.



- 3** Adjust the front-to-back position so that the arm of the BKW-401 does not touch the handle when it is raised.

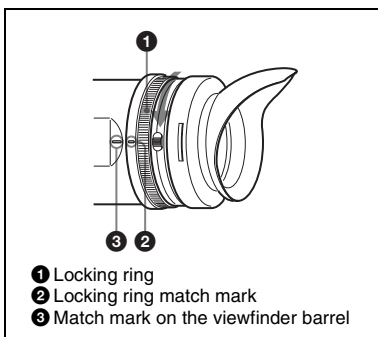
Adjust position so that arm does not touch handle



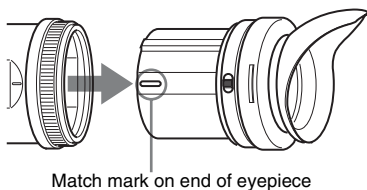
## Detaching the eyepiece

Removing the eyepiece gives a clearer view of the screen from further away. It is also easy to remove dust from the viewfinder screen and mirror when the eyepiece is detached.

- 1 Turn the eyepiece locking ring fully counterclockwise, to align the red marks on the locking ring and the viewfinder barrel.



- 2 Detach the eyepiece.



## To reattaching the eyepiece

- 1 Align the red marks on the eyepiece locking ring and the viewfinder barrel.
- 2 Align the red mark on the end of the eyepiece with the red marks on the eyepiece locking ring and the viewfinder barrel. Then insert the eyepiece into the viewfinder barrel.
- 3 Turn the eyepiece locking ring clockwise until its "LOCK" arrow points at the red mark on the viewfinder barrel.

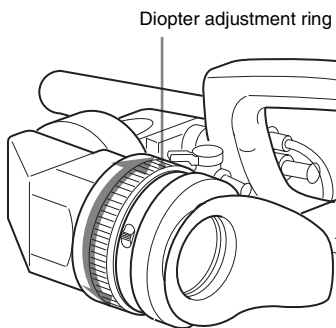
When the eyecup is worn out, replace it with a new one.

*For details of a replacement eyecup, contact a Sony service representative.*

## Adjusting the viewfinder focus and screen

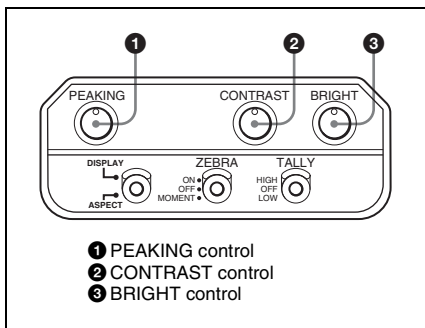
### To adjust the viewfinder focus

Turn the diopter adjustment ring until the viewfinder image is sharpest.



### To adjust the viewfinder screen

Adjust the brightness, contrast, and peaking of the viewfinder screen with the controls shown below.

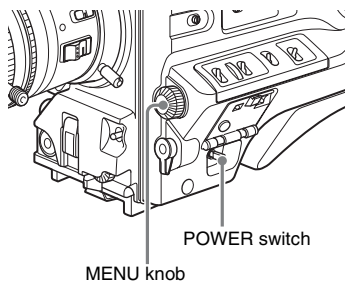


## Setting the Area of Use

### When using the unit for the first time

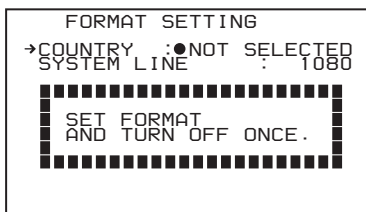
The area of use is not factory preset. Before using this unit, you need to set this item. (You cannot use the unit without setting this item.)

### To set the area of use



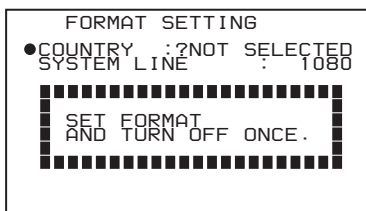
#### 1 Set the POWER switch to the ON position.

The screen for setting the area of use appears in the viewfinder.



#### 2 Press the MENU knob.

● on the left of NOT SELECTED changes to ?, and you can now select the area of use.





### 3 Turn the MENU knob to display the desired area of use.

Setting	Area of use
NTSC (J) AREA	NTSC area (Japan) <sup>a)</sup>
NTSC AREA	NTSC area (for areas other than Japan) <sup>b)</sup>
PAL AREA	PAL area <sup>c)</sup>

- a) The composite signal output from this unit is an NTSC signal with no black setup. The system frequency is 59.94i.
- b) The composite signal output from this unit is an NTSC signal with a black setup (7.5 IRE). The system frequency is 59.94i.
- c) The composite signal output from this unit is a PAL signal. The system frequency is 50i.

### 4 Change the SYSTEM LINE (video resolution) setting as required.

Setting	Resolution (horizontal × vertical)
1080	1080 lines (1920 × 1080)
720	720 lines (1280 × 720)

### 5 Set the POWER switch to OFF, then once again to ON.

The unit is now ready for use.

## Setting the Date/Time of the Internal Clock

You can set or change the date and time of the internal clock. The date and time set are reflected in the timecode.

(How to select an item in the menu screen: Turn the MENU knob to move  $\blacktriangleright$  to the desired item.)

#### 1 Display the TIME/DATE page of the DIAGNOSIS menu, and press the MENU knob.

For details on menu operations, see “Basic menu operations” on page 163.

D02OTIME/DATE		TOP
$\rightarrow$ ADJUST	:	▷ EXEC
HOUR	:	12
MIN	:	55
SEC	:	58
YEAR	:	08
MONTH	:	03
DAY	:	31

#### 2 Press the MENU knob.

The TIME ADJUST setting window appears.

TIME ADJUST		ESC
HOUR	:	12
MIN	:	55
SEC	:	58
YEAR	:	08
MONTH	:	03
DAY	:	31
OK		

- HOUR: Sets the hour value.
- MIN: Sets the minutes value.
- SEC: Sets the seconds value.
- YEAR: Sets the year.
- MONTH: Sets the month.
- DAY: Sets the day.

#### 3 Turn the MENU knob to move $\blacktriangleright$ to the item you want to set, and press the MENU knob.

- $\blacktriangleright$  on the left of the selected item changes to  $\bullet$  and  $\bullet$  on the left of the setting changes to ?.

- 4 Turn the MENU knob to display the desired value, and press the MENU knob.**  
 ● changes to ▶ and ? changes to ●.
- 5 To continue the remaining settings, repeat steps 3 and 4.**
- 6 When you finish settings, turn the MENU knob to move ▶ to “OK”, then press the MENU knob.**  
 The internal clock is set with the date and time set in steps **3** to **5**. The TIME/DATE page of the DIAGNOSIS menu appears again. The time set on the TIME ADJUST setting window is displayed.

#### To cancel the setting

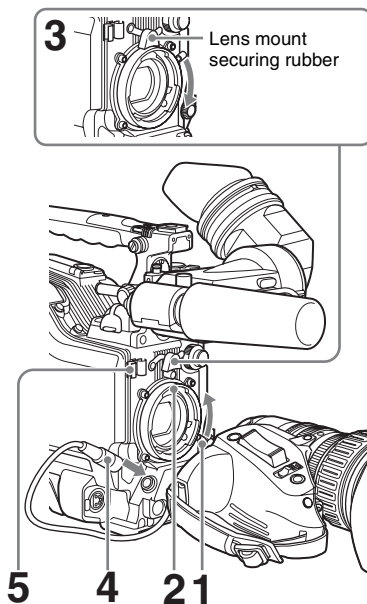
Before executing step **6**, move ▶ to “ESC” at the top right of the window and press the MENU knob.

Alternatively, flick the CANCEL/PRST / ESCAPE switch down to the ESCAPE side. All settings or changes are discarded and the TIME/DATE page of the DIAGNOSIS menu appears.

## Mounting the Lens

First power off the camcorder, and then mount the lens using the following procedure.

*For information about using the lens, refer to the operation manual for the lens.*



- 1 Push the lens locking lever up and remove the lens mount cap from the lens mount.**
- 2 Align the center pin on the lens with the center slot in the lens mount, and insert the lens into the mount.**
- 3 Holding the lens in place, push the lens locking lever down to lock the lens.**

#### Caution

If the lens is not firmly locked, it may come off while the camcorder is being used. This could cause a serious accident. Make sure the lens is firmly locked. It is recommended that the lens mount

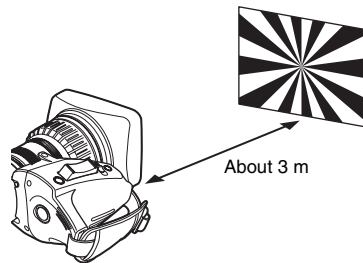
securing rubber be put on the lens locking lever as illustrated above.

- 4 Connect the lens cable to the LENS connector.**
- 5 Secure the lens cable with the cable clamps.**

## Adjusting the Flange Focal Length

If the lens does not stay in focus properly as you zoom from telephoto to wide angle, adjust the flange focal length (the distance from the plane of the lens mounting flange to the imaging plane). Make this adjustment after mounting or changing the lens.

*The position of the controls for adjusting the flange focal length vary somewhat from lens to lens. Check the identification of the various controls in the lens manual.*



- 1 Set the iris to manual.**
- 2 Open the iris. Place the flange focal length adjustment chart about 3 m (10 ft) away from the camera, lit well enough to provide a satisfactory video output level.**
- 3 Loosen the fixing screws on the F.f or F.B ring (flange focal length adjustment ring).**
- 4 Use manual or power zoom to set the lens to telephoto.**
- 5 Point the camera at the chart by turning the focus ring and focus on it.**
- 6 Set the zoom ring to wide angle.**
- 7 Turn the F.f or F.B ring until the chart is in focus, being careful not to disturb the focus ring.**

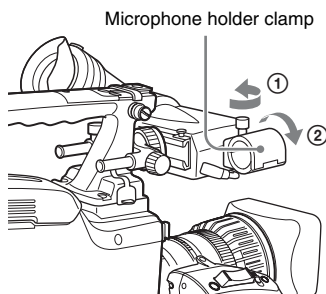
- 8 Repeat steps 4 to 7 until the chart stays in focus all the way from wide angle to telephoto.
- 9 Tighten the F.f or F.B ring fixing screws.

## Preparing the Audio Input System

### Connecting a microphone to the MIC IN connector

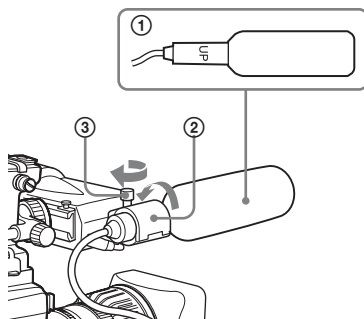
You can attach the ECM-680S stereo microphone (not supplied) to the microphone holder of the HDVF-20A viewfinder (not supplied).

- 1 Loosen the screw and open the microphone holder clamp.



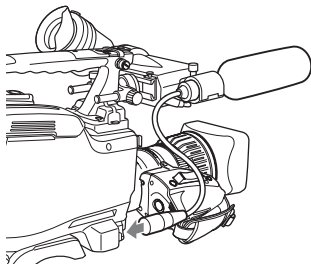
- 2 Place the microphone in the microphone holder.

- ① Place the microphone in the holder so that "UP" is at the top.
- ② Close the microphone holder.
- ③ Tighten the screw.



*On how to perform this operation, refer to the operation manual for the microphone.*

- 3 Plug the microphone cable into the MIC IN connector, then set the AUDIO IN switch for the channel on which you want to record the audio from this microphone to FRONT (for CH-1/CH-2) or F (for CH-3/CH-4).**



- 4 Secure the microphone cable with the cable clamps.**

## Connecting microphones to the AUDIO IN connectors

You can connect up to two monaural microphones to the AUDIO IN CH-1/CH-2 connectors, using a CAC-12 Microphone Holder (not supplied).

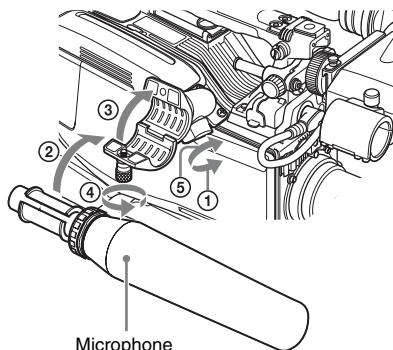
The following is the procedure for attaching an electret condenser microphone such as the ECM-674/678.

*On how to attach the CAC-12, refer to the operation manual for the CAC-12.*

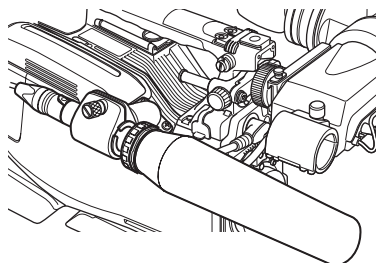
- 1 Attach the electret condenser microphone.**

- ① Loosen the ball joint lock lever.
- ② Place the microphone in the holder so that "UP" is at the top.
- ③ Close the microphone holder.
- ④ Tighten the screw.
- ⑤ Position so that the microphone does not interfere with the viewfinder and tighten the ball joint lock lever.

When attaching the ECM-674/678, use the microphone adaptor supplied with the CAC-12 Microphone Holder.



Microphone



- 2 Connect the microphone cable to the AUDIO IN CH-1 or CH-2 connector.**

- 3 Set the switches as follows.**

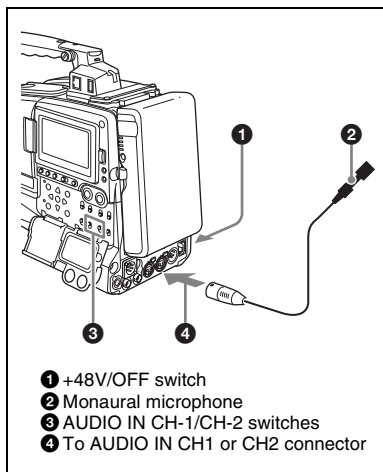
Set the LINE/AES/EBU/MIC switch to MIC.

- Set the +48V/OFF switch as indicated below, depending on the power supply type of the microphone.

**Internal power supply:** Set the +48V/OFF switch to OFF.

**External power supply:** Set the +48V/OFF switch to +48V (ON).

- Set the AUDIO IN (CH-1/CH-2/CH-3/CH-4) switch for the channel to which the microphone is connected to REAR (for CH-1/CH-2) or R (for CH-3/CH-4).



#### 4 Switch the input level to match the sensitivity of the microphone used.

Switch the input level by changing the REAR MIC REF setting on the AUDIO-1 page of the MAINTENANCE menu (factory default setting is  $-60$  dB). *For details, see page 149.*

#### XLR connection automatic detection function

With the XLR connection automatic detection function being on, when a cable is connected to the AUDIO IN CH1 or CH2 connector, the input from that connector is automatically selected for audio recording, regardless of the setting of the AUDIO IN CH-1 or CH-2 switch.

The XLR connection automatic detection function can be switched on or off on the AUDIO-1 page of the MAINTENANCE menu, with the REAR XLR AUTO item.

#### Notes

- If the input level on this unit is not at an appropriate setting for the microphone sensitivity, loud sounds may be distorted, and the signal-to-noise ratio may be affected.
- In order for the AUDIO IN CH-1 and CH-2 connectors on the camcorder to be able to provide a phantom 48 V power supply, female XLR connectors (3-pin) are fitted. If the microphone cable has a female connector, use an adaptor.
- When you detach a CAC-12 Microphone Holder once you have attached to the camcorder, be careful not to lose the two screws fixing the CAC-12 (in step 1). After detaching the CAC-12, be sure to put the two screws back into their original places.

## Attaching a UHF portable tuner (for a UHF wireless microphone system)

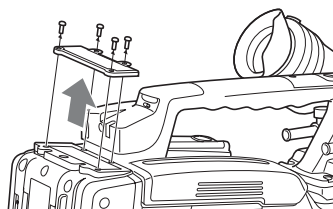
To use a Sony UHF wireless microphone system, fit one of the following UHF portable tuners.

- DWR-S01D Digital Wireless Receiver
- WRR-855S UHF Synthesized Tuner Unit
- WRR-860A/861/862 UHF Synthesized Diversity Tuner

*For details of these units, refer to the operation manuals for them.*

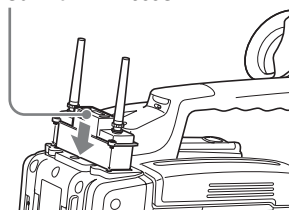
### To fit the DWR-S01D or WRR-855S

- 1 Remove the four fixing screws holding the cover of the portable tuner/receiver housing slot located in the rear of this unit, to remove the cover.



- 2 Insert the DWR-S01D or WRR-855S into the housing slot, and fasten the four fixing screws.

DWR-S01D or WRR-855S



- 3 Set the AUDIO IN switch for the channel to which you want to input audio signal to WIRELESS (see page 27).

#### Notes

- When the XLR connection automatic detection function is on, even if the AUDIO IN CH-1 or CH-2 switch is set to WIRELESS, the signal input to the

AUDIO IN CH1 or CH2 connector is automatically selected when an audio cable is connected to the AUDIO IN CH1 or CH2 connector. In such a case, set REAR XLR AUTO to OFF on the AUDIO-1 page of the MAINTENANCE menu. (The factory default setting is OFF.)

- When the LINE/AES/EBU/MIC switch is set to LINE or MIC, the audio signals recorded on audio channels 3 and 4 are not affected by the XLR automatic detection function. They are determined by the settings of the AUDIO IN CH-3 and CH-4 switches.

## To fit the WRR-862 (when using a BP-GL65/GL95/L60S/L80S Battery Pack)

### 1 Attach the WRR tuner fitting (not supplied; service part number: A-8278-057-B) to the back of the camcorder.

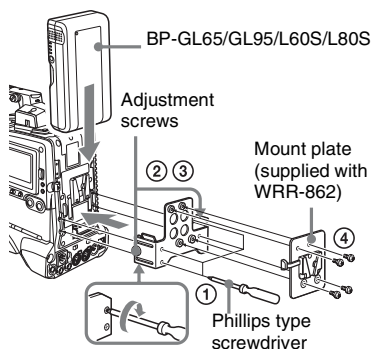
- ① Use a Phillips type screwdriver to tighten the four screws placed in the tuner fitting. For three of these screws, insert the screwdriver through the corresponding hole and tighten the screw.

#### Note

Make sure that all four screws are fully tightened.

- ② Loosen the adjustment screws on the tuner fitting.
- ③ Adjust the tuner fitting position for a BP-GL65/GL95/L60S/L80S Battery Pack to be attached, and tighten the adjustment screws to fix its position.
- ④ Attach the mount plate supplied with the WRR-862.

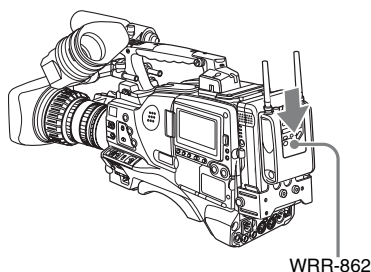
About the WRR tuner fitting (service part number: A-8278-057-B), contact a Sony service or sales representative.



### 2 Attach the battery pack.

On how to attach the battery pack, see "To attach the battery pack" on page 35.

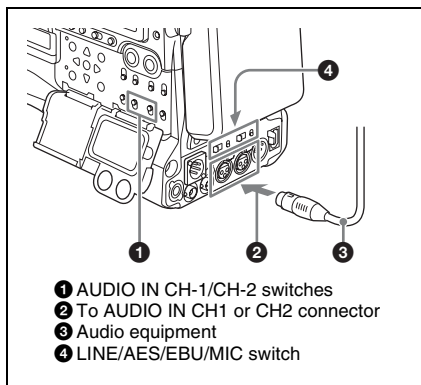
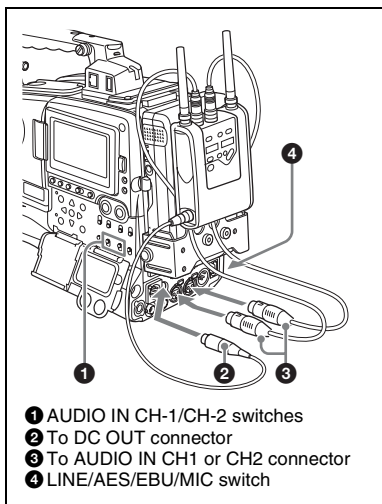
### 3 Mount the tuner on the WRR tuner fitting.



### 4 Connect the tuner power cord to the DC OUT connector of the camcorder, and the audio output cable to the AUDIO IN CH1 or CH2 connector.

### 5 Set the switches as follows.

- Set the LINE/AES/EBU/MIC switch for the channel to which the audio output cable is attached to MIC.
  - Set the AUDIO IN (CH-1/CH-2/CH-3/CH-4) switch for the channel to which the audio output cable is connected to REAR (for CH-1/CH-2) or R (for CH-3/CH-4).
- If the XLR connection automatic detection function is on, the input signal for audio recording is selected automatically, and therefore this setting is not required.



## Connecting line input audio equipment

Connect the audio output connector of the audio equipment that supplies the line input signal to the AUDIO IN CH1 or CH2 connector.

### Switch settings

Set the LINE/AES/EBU/MIC switch for the channel to which the audio signal source is connected to “LINE”.

### Selecting the audio inputs to be recorded

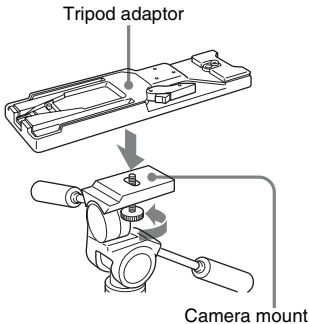
- With the XLR connection automatic detection function being off (the factory default setting): A signal must be selected for audio recording by setting the AUDIO IN CH-1 or CH-2 switch to “REAR” depending on which of the AUDIO IN CH1 and CH2 connectors is used for connecting the external audio equipment.
- With the XLR connection automatic detection function being on: When a cable is connected to the AUDIO IN CH1 or CH2 connector, the input from that connector is automatically selected for audio recording, regardless of the setting of the AUDIO IN CH-1 or CH-2 switch.

The XLR connection automatic detection function can be switched on or off on the AUDIO-1 page of the MAINTENANCE menu, with the REAR XLR AUTO item.

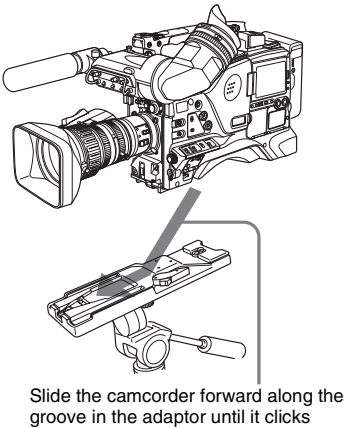


# Tripod Mounting

- 1 Attach the VCT-14 tripod adaptor (not supplied) to the tripod.

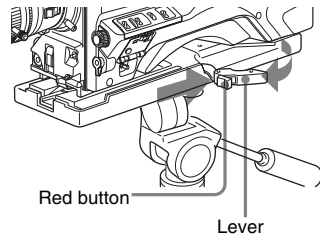


- 2 Mount the camcorder on the tripod adaptor.



## To remove the camcorder from the tripod adaptor

Hold down the red button and pull the lever in the direction of the arrow.



### Note

The tripod adaptor pin may remain in the engaged position even after the camcorder is removed. If this happens, press the red button against the lever a second time and move the lever as shown above until the pin returns to the stowed position. If the pin remains in the engaged position, you will not be able to mount the camcorder on the tripod adaptor.

## Connecting a Video Light

With this camcorder, you can use the Anton Bauer Ultralight 2 or equivalent video light (powered by 12 V with maximum power consumption of 50 W).

- If you connect the video light to the LIGHT connector on the camcorder and set the LIGHT switch to AUTO, you can turn the light on and off automatically as you start and stop the VDR operation.
- The output of the LIGHT connector on the camcorder is controlled to 12 V even when the camcorder is supplied with over 12 V power (through the DC IN connector or battery pack). The brightness or color temperature of the light will not change according to voltage increase.

### Notes

- Do not use a video light with power consumption of over 50 W.
- The brightness or color temperature of the light will change when the voltage (supplied through the DC IN connector or from the battery pack) is under 12 V.

### To attach the video light

Fit the video light to the accessory fitting shoe on the camcorder grip, and connect the video light cable to the LIGHT connector.

### Note

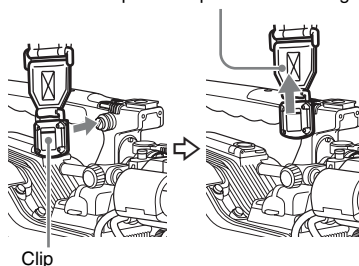
The accessory fitting shoe on this unit is of the 1/4-inch tapped hole type. If you want to replace this with a slide-type shoe, contact a Sony service representative.

## Using the Shoulder Strap

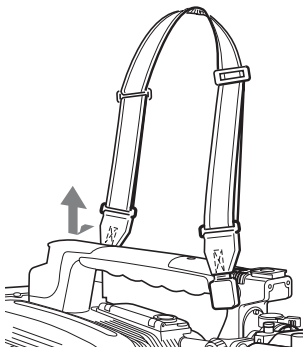
### To attach the shoulder strap

- 1 Fit one of the clips to a shoulder strap fitting.

Pull up the strap to lock the fitting

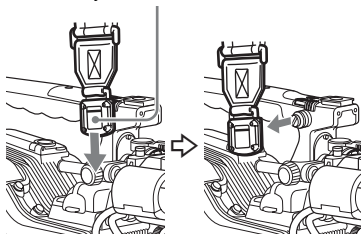


- 2 Fit the other clip to the shoulder strap fitting on the other side of the grip in the same way as in step 1.



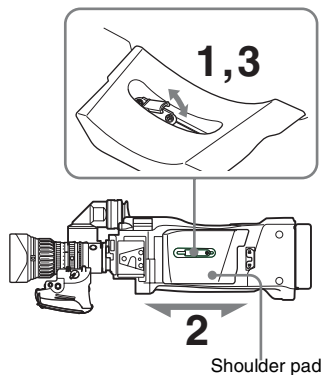
## To remove the shoulder strap

Press here and pull in the direction shown by the arrow to release



## Adjusting the Shoulder Pad Position

You can shift the shoulder pad from its center position (the factory default setting) backward by up to 10 mm (3/8 inch) or forward by up to 25 mm (1 inch). This adjustment helps you get the best balance for shooting with the camcorder on your shoulder.



- 1** Raise the lever in the center of the shoulder pad to unlock the shoulder pad.
- 2** Slide the shoulder pad backward or forward until it is in the most convenient position.
- 3** Bring down the lever to lock the shoulder pad in the selected position.

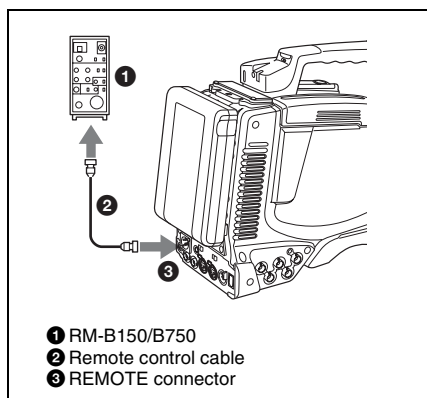
## Connecting the Remote Control Unit

### Note

Before connecting/disconnecting a remote control unit to/from the camcorder, be sure to turn the power of the camcorder off.

Connecting the RM-B150/B750 Remote Control Unit enables remote control of the principal camera functions.

Connecting the remote control unit to the REMOTE connector (8-pin) automatically puts the camcorder into remote control mode. If you disconnect the remote control unit, the remote control mode is cancelled.



### Camcorder switch functions when the remote control unit is connected

The following switches on the camcorder do not function.

- GAIN selector
- OUTPUT/DCC switch
- WHITE BAL switch
- AUTO W/B BAL switch
- SHUTTER selector
- Button to which the TURBO SWITCH function has been assigned (ASSIGN 1/3/4 switch, COLOR TEMP. button, or RET button on the lens)
- REC START button (and the VTR button on the lens, and the button to which the recording start/

stop function has been assigned (ASSIGN 1/3/4 switch, COLOR TEMP. button, or RET button on the lens)) (when the RM REC START item on the CAM CONFIG 2 page of the MAINTENANCE menu is set to RM)

- Buttons to which the COLOR TEMP SW 3200K/4300K/5600K/ 6300K functions have been assigned (ASSIGN 1/3/4 switches, COLOR TEMP. button, and RET button on the lens)

### Paint adjustment when the remote control unit is connected

The settings of the paint adjustment that were in effect the last time the remote control unit was used are recalled.

### Function of the recording start/stop buttons when the remote control unit is connected

When the remote control unit is connected, you can make a setting to determine which of the recording start/stop buttons you will use. This setting is made using the RM REC START item on the CAM CONFIG 2 page of the MAINTENANCE menu.

### Relationship between the setting of the RM REC START item and the function of recording start/stop buttons

Recording start/stop button	Settings of RM REC START		
	RM	CAM	PARA
Camcorder's REC START button	Disabled	Enabled	Enabled
Lens VTR button	Disabled	Enabled	Enabled
Button to which the recording start/stop function has been assigned (camcorder ASSIGN 1/3/4 switch or COLOR TEMP. button, or RET button on the lens)	Enabled	Disabled	Enabled
Remote control unit's VTR button	Enabled	Disabled	Enabled

## When the monitor is connected to the MONITOR OUT connector of the remote control unit

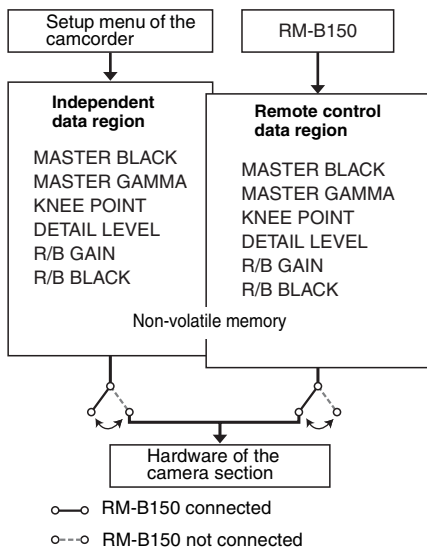
The MONITOR connector (BNC type) of the RM-B150/B750 outputs the same signal as that from the TEST OUT connector on the camcorder. Use the black cable supplied with the RM-B150/B750 to connect the monitor to the MONITOR connector on the RM-B150/B750.

## When the remote control unit is disconnected from the camcorder

The camcorder settings return to the settings in effect before the remote control unit was connected.

## Structure of the paint adjustment data

The non-volatile memory of the camcorder used for storing paint adjustment data consists of two regions as shown below: one is the “independent data region” that is used when a remote control unit is not connected, and the other is the “remote control data region” that is used when a remote control unit is connected. Paint adjustment data is automatically selected and output to the camera section depending on whether or not a remote control unit such as the RM-B150 is connected.



Thus, when a remote control unit is connected to the camcorder, the effective data region is switched to the “remote control data region” and the settings of the paint adjustment that were in effect the last time the remote control unit was used are recalled.

The settings of the absolute value rotational controls <sup>1)</sup> and absolute value switches <sup>2)</sup> are overwritten by those on the remote control unit after the remote control unit is connected.

When the remote control unit is disconnected from the camcorder, the “independent data region” becomes effective. Thus the camcorder will return to the settings that were in effect before the remote control unit was connected.

- 1) **Absolute value rotational controls:** The data corresponding to the angular position of controls is output. Rotational controls for which the data corresponding to the amount of their rotation is output are called relative value controls.
- 2) **Absolute value switches:** Like toggle switches or slide switches (except momentary switches), the switches (or knobs) whose positions must coincide with their functions are called absolute value switches.

When RM COMMON MEMORY is set to “ON” on the CAM CONFIG 2 page of the MAINTENANCE menu, you can use settings of the paint adjustment data stored in the independent data region even if you connect the remote control unit. In this case, the settings stored in the independent data region will be renewed when you change the settings on the remote control unit. Thus, the settings of the paint data made with the remote control unit can be retained even if the remote control unit is removed. However, if the switch position on the remote control unit differs from the one on the camcorder, the switch position on the camcorder takes precedence over that on the remote control unit.

Also, it is possible to keep the settings that are in effect before you connect the remote control unit. In this case, you should set the control knob to the relative value mode on the remote control unit.

*For details, refer to the operation manual supplied with the remote control unit.*

## Setting the Recording Format

The recording formats supported by this camcorder are as follows.

### Video

Recording format	Resolution	System frequency <sup>a)</sup>
MPEG HD422 50 (Bit rate: 50 Mbps)	1080	59.94i/29.97P/ 50i/25P
	720	59.94P/50P
MPEG HD420 HQ/ SP (Bit rate: 35/25 Mbps)	1080	59.94i/50i
	720	59.94P/50P
MPEG IMX 50/40/ 30 <sup>b)</sup> (Bit rate: 50/40/30 Mbps)	525	59.94i
	625	50i
DVCAM <sup>b)</sup> (Bit rate: 25 Mbps)	525	59.94i
	625	50i

a) **59.94i/29.97P/59.94P**: When the area of use is set to NTSC (J) AREA/NTSC AREA.

**50i/25P/50P**: When the area of use is set to PAL AREA.

b) When the optional CBKZ-MD01 SD Record and Playback Software is installed.

### Audio

Recording format	Number of channels
24bit/48kHz	8 channels <sup>a)</sup>
	4 channels <sup>b)</sup>
16bit/48kHz	8 channels <sup>b)</sup>
	4 channels <sup>c)</sup>

a) When the video recording format is set to MPEG HD422 50.

b) When the video recording format is set to MPEG IMX 50/40/30.

c) When the video recording format is set to MPEG HD420 HQ/SP or DVCAM.

### Notes

- It is not possible to combine material recorded in different system frequencies and recording formats on a single disc (although 1080/50i and 1080/25P materials can be combined).
- This unit can record up to four channels of audio. If you select a format with eight channels of audio, silence is recorded in channels 5 to 8.

## Setting the system frequency

### 1 Display the FORMAT page of the OPERATION menu.

?024OFORMAT	TOP
SYSTEM LINE	: 1080
SYSTEM FREQUENCY	: 59.9i
REC FORMAT	: HD422 50
COUNTRY	: NTSC (J) AREA

For details on menu operations, see "Basic menu operations" on page 163.

### 2 Select SYSTEM FREQUENCY, and turn the MENU knob to select the desired system frequency.

You can select the frequency shown below depending on the combination of the COUNTRY and SYSTEM LINE settings.

COUNTRY	SYSTEM LINE	SYSTEM FREQUENCY
NTSC(J)AREA	1080	59.9i/29.9P
	720	59.9P
PAL AREA	1080	50i/25P
	720	50P

- Change the COUNTRY or SYSTEM LINE setting as required.
- When SYSTEM LINE is set to 720 and SYSTEM FREQUENCY is set to 59.9P, you can set the camera shooting frequency (SCAN MODE) to either 59.9 Hz or 23.9 Hz. Set SCAN MODE to either as required.

### Note

When you set SCAN MODE to 23.9P, the video output signals and video recording signals of this unit are 59.9 Hz signals after 2-3 pulldown.

## Setting the video recording format

### 1 Display the **FORMAT** page of the **OPERATION** menu.

For details on menu operations, see “Basic menu operations” on page 163.

### 2 Select **REC FORMAT**, and turn the **MENU** knob to select the desired recording format.

As you turn the MENU knob, the recording format changes as follows: HD422 50 ↔ HD420 HQ ↔ HD420 SP ↔ IMX 50<sup>1)</sup> ↔ IMX 40<sup>1)</sup> ↔ IMX 30<sup>1)</sup> ↔ DVCAM<sup>1)</sup>.

1) When the optional CBKZ-MD01 SD Record and Playback Software is installed.

### To set the aspect ratio (when IMX 50, IMX 40, IMX 30, or DVCAM is selected)

Select ASPECT RATIO(SD) on the FORMAT page, and turn the MENU knob to select the desired aspect ratio.

As you turn the MENU knob, the aspect ratio changes as follows: 16:9 ↔ 4:3.

0240FORMAT	TOP
SYSTEM LINE	: 1080
SYSTEM FREQUENCY	: 59.9i
REC FORMAT	: IMX 50
●ASPECT RATIO(SD):?	16:9
AU DATA LEN(IMX):	16bit
COUNTRY	: NTSC(J)AREA

### Note

The unit ignores this setting when it records video from external devices (see page 93).

### To set the audio recording format (when IMX 50, IMX 40, or IMX 30 is selected)

Select AU DATA LEN(IMX) on the FORMAT page or AUDIO-2 page of the MAINTENANCE menu, and turn the MENU knob to select the desired audio recording format.

As you turn the MENU knob, the audio recording format changes as follows: 16bit ↔ 24bit.

## Adjusting the Black Balance and the White Balance

To ensure excellent image quality when using this camcorder, conditions may require that both the black balance and the white balance be adjusted.

### Black balance adjustment

The black balance will require adjustment in the following cases.

- When the camcorder is used for the first time
  - When the camcorder has not been used for a long time
  - When the camcorder is used under conditions in which the surrounding temperature has changed greatly
  - When the GAIN selector (L/M/H) values have been changed by using the USER menu
- It is not usually necessary to adjust the black balance when using the camcorder after it has been off.

### White balance adjustment

Always readjust the white balance when the lighting conditions change.

### Viewfinder screen displays

If the black balance or white balance adjustment is started, messages that report on the progress and results are displayed on the viewfinder screen when the VF DISP MODE item is set to “2” or “3” on the VF DISP 1 page of the USER menu.

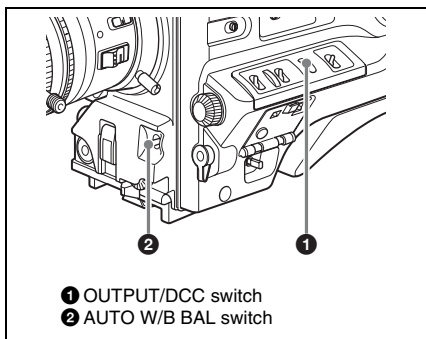
### Note

Black balance and white balance adjustment values that are automatically set by the camcorder and the various settings are stored in the camcorder memory and retained even when the power is turned off.

## Adjusting the black balance

In automatic black balance mode, adjustments are performed in the following order: black set and black balance. Manual black balance adjustment can be selected from the setup menu.

For details of manual black balance adjustment, refer to the Maintenance Manual.

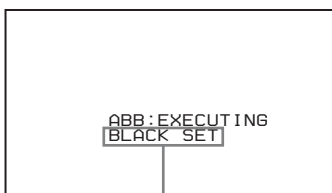


### 1 Set the OUTPUT/DCC switch to CAM.

### 2 Flick the AUTO W/B BAL switch to BLK and release the switch.

The switch returns to the center position, and the adjustment is executed.

During adjustment, the following message is displayed on the viewfinder screen.



The messages change in the following sequence :

BLACK SET

↓  
BLACK BALANCE

The black balance adjustment ends in a few seconds with the message “ABB:OK” and the adjustment value is automatically stored in memory.

#### Notes

- During the black balance adjustment, the iris is automatically closed.
- During the black balance adjustment, the gain selection circuit is automatically activated so you may see flickering on the viewfinder screen, but this is not a fault.

### If automatic black balance adjustment cannot be made

If the black balance adjustment cannot be completed normally, an error message will appear for about 3 seconds on the viewfinder screen.

Possible messages are listed below.

Error message	Meaning
ABB : NG IRIS NOT CLOSE	The lens iris did not close; adjustment was impossible.
ABB : NG TIME LIMIT	Adjustment could not be completed within the standard number of attempts.
ABB : NG R (or G or B) : OVERFLOW	The difference between the reference value and the current value is so great that it exceeds the range. Adjustment was impossible.

If any of the above error messages is displayed, retry the black balance adjustment.

Keep pushing the AUTO W/B BAL switch to BLK until “-BLACK SET-” appears after “-BLACK BALANCE-” appears. If the error message occurs again, an internal check is necessary.

*For information about this internal check, refer to the Maintenance Manual.*

#### Note

If the lens cable is not firmly connected to the LENS connector, it may not be possible to adjust the lens iris. If this happens, the black balance will be incorrect.

### Black balance memory

Values stored in memory are held until the black balance is next adjusted.

### If a memory error occurs

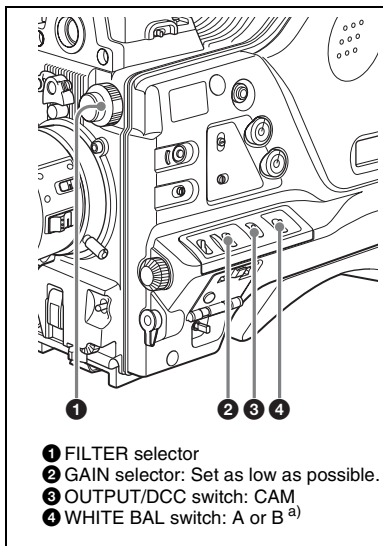
If the error message “: STORED DATA : NG” flashes on the viewfinder screen when the camcorder is turned on, the black balance and white balance memory contents have been lost. Adjust the black balance and white balance again. Contact a Sony representative if this message continues to appear even after the black balance and white balance have been adjusted again.

*For details, refer to the Maintenance Manual.*

### Adjusting the white balance

#### 1 Set the switches and selectors as shown in the figure below.





a) White balance setting values are stored in memory B only when the WHITE SWITCH <B> item is set to "MEM" on the WHITE SETTING page of the OPERATION menu.

If the setting of the GAIN selector or WHITE BAL switch is changed, a message reporting the new setting position appears for about 3 seconds in the setting change and adjustment progress message display area of the viewfinder screen.

## 2 Set the FILTER selector to suit the lighting conditions as follows.

The possible settings of the FILTER selector and their corresponding filters to be selected are listed below.

FILTER selector (inner knob) ND filter setting	ND filter setting
1	CLEAR
2	$\frac{1}{4}$ ND
3	$\frac{1}{16}$ ND
4	$\frac{1}{64}$ ND

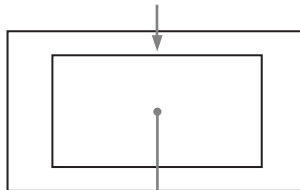
If the setting of the FILTER selector is changed, a message reporting the setting appears for about 3 seconds in the setting change and adjustment progress message display area of the viewfinder screen (in display mode 3).

## 3 Place a white test card under the same lighting conditions as for the subject to be shot and zoom up to it.

Alternatively, any white object such as a cloth or a wall can be used.

The absolute minimum white area is as follows.

Rectangle centered on the screen. The lengths of the sides are 70% of the length and width of the screen.



The white object must be within the rectangle and have an area of at least 10% of the screen.

### Note

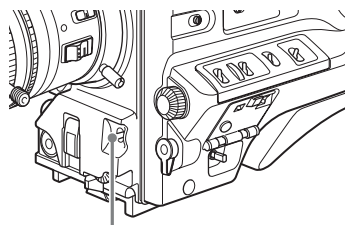
Make sure there are not bright spots in the rectangle.

## 4 Adjust the lens iris.

**Manually adjusted lens:** set the iris to an appropriate setting.

**Lens with automatic iris:** set the automatic/manual switch on the lens to automatic.

## 5 Flick the AUTO W/B BAL switch to WHT and then release the switch.



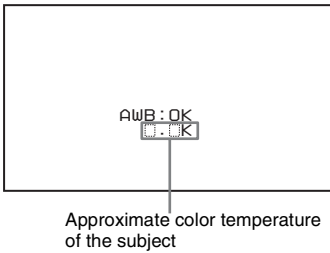
AUTO W/B BAL switch

The switch returns to the center position, and the adjustment is executed.

During adjustment, the message "WHITE : OP" is displayed on the viewfinder screen (in display mode 2 or 3).

The white balance adjustment ends in about one second with the message shown in the

following figure, and the adjustment setting is automatically stored in the memory (A or B) that was selected in step 1.



#### Note

If the camera has a zoom lens with an automatic iris, the iris may hunt <sup>1)</sup> during the adjustment. To prevent this, adjust the iris gain knob (indicated as IG, IS, or S) on the lens.

*For details, refer to the lens operation manual.*

1) **Hunting:** Repeated brightening and darkening of the image, resulting from repeated response to automatic iris control.

#### If the automatic white balance adjustment cannot be made

If the white balance adjustment cannot be completed normally, an error message will appear for about 3 seconds on the viewfinder screen. Possible messages are listed below.

Error message	Meaning
WHITE : NG LOW LEVEL	The white video level is too low. Either open the lens iris or increase the gain.
WHITE : NG COLOR TEMP HIGH	The color temperature is too high.
WHITE : NG COLOR TEMP LOW	The color temperature is too low.
WHITE : NG TIME LIMIT	Adjustment could not be completed within the standard number of attempts.
WHITE : NG POOR WHITE AREA	The white area could not be checked.
WHITE : NG OVER LEVEL	The white video level is too high. Either stop down the lens iris or change the ND filter.

If any of the above error messages is displayed, retry the white balance adjustment. If the error message occurs again, an internal check is necessary.

*For information about this internal check, refer to the Maintenance Manual.*

#### If you have no time to adjust the white balance

Set the WHITE BAL switch to PRST.

This makes it possible to automatically set the white balance to 5600K (factory default value) by pressing the COLOR TEMP. button.

The color temperature to which the white balance is set when the COLOR TEMP. button is pressed can be selected from among 3200K, 4300K, 5600K, and 6300K on the ASSIGNABLE SW page of the OPERATION menu. You can also assign color temperatures to the ASSIGN 1/3/4 switches and the RET button on the lens.

*For details of automatic white balance adjustment, see page 56.*

#### To change the color temperature when the ND filter is switched

You can assign electrical CC (color correction) filters to ND filters (see page 17). This allows you

to change the color temperature automatically when the ND filter is switched.

## 1 Display the WHITE FILTER page of the MAINTENANCE menu.

?M150W	WHITE FILTER	TOP
ND FILTER	CTEMP :	OFF
ND FLT	CTEMP <1>:	3200K
ND FLT	CTEMP 2-4:	5600K
ELECTRICAL	CC<A>:	3200K
ELECTRICAL	CC<B>:	4300K
ELECTRICAL	CC<C>:	5600K
ELECTRICAL	CC<D>:	6300K

For details on menu operations, see “Basic menu operations” on page 163

## 2 Select ND FILTER CTEMP, and turn the MENU knob to display “ON”.

## 3 To assign an electrical CC filter to FILTER selector position number 1, select “ND FLT CTEMP <1>”. To assign it to positions 2 to 4, select “ND FLT CTEMP 2-4”.

## 4 Turn the MENU knob to display the desired color temperature.

As you turn the MENU knob, the color temperature changes as follows: 3200K ↔ 4300K ↔ 5600K ↔ 6300K.

## 5 Repeat steps 3 and 4 as required.

### To switch between electrical CC filters with an ASSIGN switch

You can assign the function that switches between electrical CC filters to an ASSIGN switch. This allows you to switch between color temperatures (3200K/4300K/5600K/6300K) that have been assigned to up to four positions (A to D) with each press of the ASSIGN switch. Regardless of assignments to ASSIGN switches, you can also switch between the color temperatures assigned to each position from a remote control unit.<sup>1)</sup>

1) When the RM-B150/B750, MSU-900/950, or RCP-750/751/920/921 is connected.

## 1 Display the WHITE FILTER page of the MAINTENANCE menu.

For details on menu operations, see “Basic menu operations” on page 163.

## 2 Select the position to which to assign a CC filter by selecting one of “ELECTRICAL CC<A>” to “ELECTRICAL CC<D>”, and then turn the MENU knob to select the desired color temperature.

As you turn the MENU knob, the color temperature changes as follows: 3200K ↔ 4300K ↔ 5600K ↔ 6300K.

### To set no color temperature

Select “-----” with ELECTRICAL CC<C> or <D> selected.

When the ASSIGN switch is pressed, the setting for that position is not displayed. For example, if “-----” is set for one position, then switching between the remaining three positions is carried out.

## 3 Repeat step 2 as required.

## 4 Assign the electrical CC filter switching function (ELECTRICAL CC) to an ASSIGN 1/3/4 switch, the COLOR TEMP button, or the RET button on the lens (see page 178).

### White balance memory

Values stored in memory are held until the white balance is next adjusted.

There are two sets of white balance memories, A and B, and adjustments for each of the ND filters can be automatically stored in the memory corresponding to the setting (A or B) of the WHITE BAL switch. The camcorder has four built-in ND filters, so a total of eight (4 × 2) adjustments can be stored. However, the memory contents are not linked to the ND filter settings in the following cases.

- When the number of memories allocated to each of A and B is limited to one by setting the FILTER WHT MEM item on the WHITE SETTING page of the OPERATION menu to OFF.
- When the electrical CC filter switching function has been assigned to an ASSIGN switch, or when a remote control unit has been connected. (In these cases, the contents of white balance memory are linked to electrical CC filter positions (A to D).)

If the WHITE BAL switch is set to B, and on the WHITE SETTING page of the OPERATION

menu, the WHITE SWITCH <B> item is set to “ATW”, the ATW function is activated to automatically adjust the white balance of the picture being shot for varying lighting conditions.

### If a memory error occurs

If the error message “: STORED DATA : NG” flashes on the viewfinder screen when the camcorder is turned on, the white balance and black balance memory contents have been lost. Adjust the white balance and black balance again. Contact a Sony representative if this message continues to appear even after the white balance and black balance have been adjusted again.

*For details, refer to the Maintenance Manual.*

## Setting the Electronic Shutter

### Shutter modes

The shutter modes that can be used with the electronic shutter and the shutter speeds that can be selected are listed below.

#### Standard mode

Select this mode for shooting fast-moving subjects with little blurring.

SYSTEM LINE setting	System frequency	Shutter speed (unit: seconds)
1080	59.94i	$\frac{1}{100}$ , $\frac{1}{125}$ , $\frac{1}{250}$ , $\frac{1}{500}$ , $\frac{1}{1000}$ , $\frac{1}{2000}$
	50i	$\frac{1}{60}$ , $\frac{1}{125}$ , $\frac{1}{250}$ , $\frac{1}{500}$ , $\frac{1}{1000}$ , $\frac{1}{2000}$
	29.97P	$\frac{1}{40}$ , $\frac{1}{60}$ , $\frac{1}{120}$ , $\frac{1}{125}$ , $\frac{1}{250}$ , $\frac{1}{500}$ , $\frac{1}{1000}$ , $\frac{1}{2000}$
	25P	$\frac{1}{33}$ , $\frac{1}{50}$ , $\frac{1}{100}$ , $\frac{1}{125}$ , $\frac{1}{250}$ , $\frac{1}{500}$ , $\frac{1}{1000}$ , $\frac{1}{2000}$
720	59.94P (SCAN MODE: 59.9P)	$\frac{1}{100}$ , $\frac{1}{125}$ , $\frac{1}{250}$ , $\frac{1}{500}$ , $\frac{1}{1000}$ , $\frac{1}{2000}$
	59.94P (SCAN MODE: 23.9P)	$\frac{1}{32}$ , $\frac{1}{48}$ , $\frac{1}{50}$ , $\frac{1}{60}$ , $\frac{1}{96}$ , $\frac{1}{125}$ , $\frac{1}{250}$ , $\frac{1}{500}$ , $\frac{1}{1000}$ , $\frac{1}{2000}$
	50P	$\frac{1}{60}$ , $\frac{1}{125}$ , $\frac{1}{250}$ , $\frac{1}{500}$ , $\frac{1}{1000}$ , $\frac{1}{2000}$

#### ECS (Extended Clear Scan) mode

Select this mode for obtaining images with no horizontal bands of noise when shooting subjects such as monitor screens.

SYSTEM LINE setting	System frequency	Shutter speed (unit: Hz)
1080	59.94i	60.00 to 4300
	50i	50.00 to 4700
	29.97P	30.00 to 2700
	25P	25.00 to 2300
720	59.94P	60.00 to 4300
	(SCAN MODE: 59.9P)	
	59.94P	24.00 to 2200
	(SCAN MODE: 23.9P)	
	50P	50.00 to 4700

### SLS (slow speed shutter) mode

Select this mode for shooting subjects in low level lighting conditions.

SYSTEM LINE setting	Shutter speed (unit: frames)
1080	2, 3, 4, 5, 6, 7, 8, 16
720	2, 4, 6, 8, 16

#### Notes

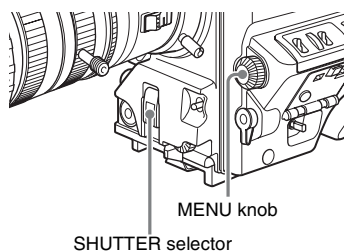
- SLS mode cannot be selected when SCAN MODE is set to 23.9P.
- Whatever the operating mode of the electronic shutter, the sensitivity of the CCD decreases with increasing shutter speed.
- When the automatic iris is used, the iris opens wider as the shutter speed increases, thus reducing the depth of field.
- Under artificial light, particularly fluorescent or mercury lamps, the light intensity may appear to be constant, but the red, green, and blue intensities are actually changing in synchronization with the frequency of the power supply causing flicker. Using an electronic shutter under such lighting could make the flicker even worse. Color flicker is particularly likely to happen when the power supply frequency is 60 Hz. However, if the power frequency is 50 Hz, setting the shutter speed to 1/100 can reduce this flicker.
- When a bright object is shot in ECS mode in such a manner that it fills the screen, the upper edge of the picture may have poor quality because of an inherent characteristic of CCDs. Before using ECS mode, check the shooting conditions.

- The selectable shutter speeds vary depending on the current system frequency.

## Selecting the shutter mode and shutter speed

**Switching the shutter mode, and the shutter speed in standard mode:** Repeatedly flick the SHUTTER selector to the SELECT side (see the next section).

**Switching the shutter speed in ECS mode and SLS mode:** Select ECS mode or SLS mode with the SHUTTER selector, and then turn the MENU knob (see page 62).



You can use the SHT ENABLE page of the OPERATION menu to narrow the range of choice in advance, or to select in advance whether or not you use ECS or SLS.

### To set the shutter mode and standard-mode shutter speed

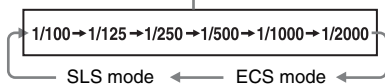
Once the shutter speed is selected, it is retained even when the camcorder power is turned off.

- 1 Follow the procedure described in “Selecting the display items” on page 171 to set the VF DISPLAY MODE item to “2” or “3” on the VF DISP 1 page of the USER menu.**
- 2 Flick the SHUTTER selector from ON to SELECT.**  
The current shutter setting indication appears for about 3 seconds in the setting change and adjustment progress message display area of the viewfinder screen.  
Examples: “: SS : 1/250”, “: ECS : 60.0 Hz”
- 3 Before the shutter setting indication disappears, flick the SHUTTER selector down to SELECT again and**

repeat this until the desired mode or speed appears.

When all modes and speeds are displayed, the display changes in the following order.

Standard mode (with system frequency: 59.94i)



If you have changed the configuration, only the selected modes and speeds appear.

- When the unit is shipped from the factory, it is configured to display all of the modes and speeds in “Shutter modes” on page 60, except SLS mode. You can change this configuration by selecting only the required modes and speeds on the SHT ENABLE page of the OPERATION menu (see page 134).
- Shutter speeds in standard mode can also be switched to angle display by using SHT DISP MODE in the CAM CONFIG 2 page of the MAINTENANCE menu (see page 154).

## To set the shutter speed in ECS or SLS mode

- 1 Set the shutter speed mode to ECS or SLS (see the previous item).
- 2 Turn the MENU knob to select the desired frequency or number of frames.

**When the RM-B150 Remote Control Unit is connected**

You can set the shutter speed of ECS or SLS with the rotary encoder of the RM-B150.

## To change the range of choice of shutter mode and speed settings

You can reduce the time required to select the shutter mode and speed by narrowing the choice of settings in advance. This can be done by using the SHT ENABLE page of the OPERATION menu.

### Note

The settings selected on the SHT ENABLE page of the OPERATION menu become invalid when the RM-B150 or another remote control unit is connected to the camcorder.

- 1 Display the SHT ENABLE page of the OPERATION menu, and press the MENU knob.

For details on menu operations, see “Basic menu operations” on page 163.

022OSHT ENABLE			
→SHUTTER	ECS	●	ON
SHUTTER	SLS	●	OFF
SHUTTER	1/100	●	ON
SHUTTER	1/125	●	ON
SHUTTER	1/250	●	ON
SHUTTER	1/500	●	ON
SHUTTER	1/1000	●	ON
SHUTTER	1/2000	●	ON

- 2 Turn the MENU knob to move → to the shutter mode or shutter speed you want, then press the MENU knob.

→ on the left of the selected item changes to ● and ● on the left of the setting changes to ?.

- 3 Turn the MENU knob until “ON” appears, then press the MENU knob.

● on the left of the selected item changes to → and ? on the left of the setting changes to ●.

To set another mode or speed, return to step 2.

Note that only the shutter speeds set to “ON” can be selected with the SHUTTER selector.

- 4 To end the menu operation, set the MENU ON/OFF switch to OFF or close the cover of the menu operating section.

The menu disappears from the screen and the display indicating the current status of the camcorder appears along the top and bottom of the screen.

# Changing the Reference Value for Automatic Iris Adjustment

The reference value for automatic iris adjustment can be changed to aid the shooting of clear pictures of back-lit subjects, or to prevent blown-out highlights. The reference value for the lens iris can be set within the following range with respect to the standard value.

- 0.25 to 1 (increasing by increments of 0.25):  
About 0.25 to 1 stop further open
- -0.25 to -1 (decreasing by increments of 0.25):  
About 0.25 to 1 stop further close

Also you can set the area where light detection occurs.

## To change the reference value

(How to select an item in the menu screen: Turn the MENU knob to move  $\blacktriangleright$  to the desired item.)

### 1 Display the AUTO IRIS page of the OPERATION menu, and press the MENU knob.

For details on menu operations, see “Basic menu operations” on page 163.

0160AUTO IRIS			
$\blacktriangleright$ IRIS OVERRIDE	:	●	OFF
IRIS SPEED	:		0
CLIP HIGH LIGHT	:		OFF
IRIS WINDOW	:		1
IRIS WINDOW IND	:		OFF
IRIS VAR WIDTH	:		245
IRIS VAR HEIGHT	:		72
IRIS VAR H POS	:		0
IRIS VAR V POS	:		0

### 2 Check that the $\blacktriangleright$ mark is at the IRIS OVERRIDE position, and then press the MENU knob.

- $\blacktriangleright$  on the left of the selected item changes to ● and ● on the left of the setting changes to ?.

### 3 Turn the MENU knob until “ON” appears, then press the MENU knob.

- on the left of the selected item changes to  $\blacktriangleright$  and ? on the left of the setting changes to ●.

The IRIS OVERRIDE item is set to “ON”.

- 4 Set the MENU ON/OFF switch to OFF. The AUTO IRIS page disappears from the screen.
- 5 Turn the MENU knob to change the reference value.

#### Note

Be sure to confirm that the current shutter mode is not ECS.

The changed reference value is retained until the power of the camcorder is turned off. Even if the reference value is changed, it reverts to the standard value every time the power is turned on.

#### To make the iris more open

Turn the MENU knob counterclockwise as seen from the front of the camera. The iris stop indicators as shown in the following table appear in the upper part to the left of the F number in the iris indication.

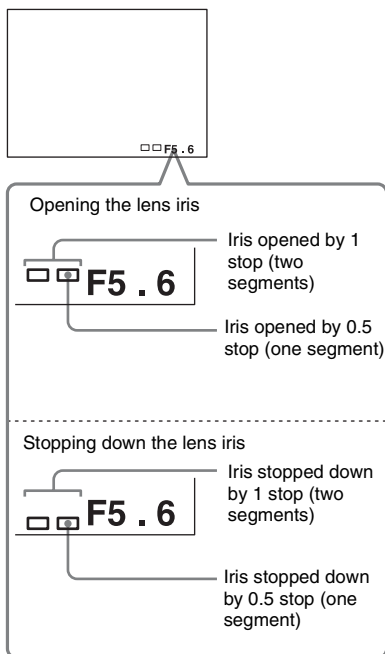
Iris stop	Indicator
0.25	<input checked="" type="checkbox"/>
0.5	<input type="checkbox"/>
0.75	<input checked="" type="checkbox"/> <input type="checkbox"/>
1	<input type="checkbox"/> <input type="checkbox"/>

#### To stop down the iris

Turn the MENU knob clockwise as seen from the front of the camera.

The iris stop indicators as shown in the following table appear in the lower part to the left of the F number in the iris indication.

Iris stop	Indicator
-0.25	<input checked="" type="checkbox"/>
-0.5	<input type="checkbox"/>
-0.75	<input checked="" type="checkbox"/> <input type="checkbox"/>
-1	<input type="checkbox"/> <input type="checkbox"/>



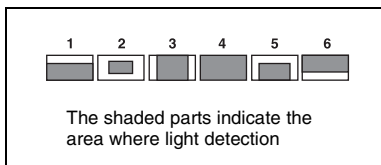
### When the RM-B150 Remote Control Unit is connected

The IRIS control knob of the RM-B150 can be used for lens iris setting. In this case, the indicator is not displayed.

### To set the automatic iris window

- 1 Follow the procedure of steps 1 and 2 described in the previous item to display the AUTO IRIS page.
- 2 Turn the MENU knob to move  $\rightarrow$  to IRIS WINDOW IND, then press the MENU knob.
  - $\rightarrow$  on the left of IRIS WINDOW IND.
  - $\bullet$  changes to  $\bullet$  and  $\bullet$  on the left of the setting changes to  $?$ .
- 3 Turn the MENU knob until "ON" appears, then press the MENU knob.
  - $\bullet$  changes to  $\rightarrow$  and  $?$  changes to  $\bullet$
  - The currently selected auto iris window appears on the screen.
  - If it is not necessary to display the auto iris window on the screen, set to "OFF".

- 4 Turn the MENU knob to move  $\rightarrow$  to IRIS WINDOW, then press the MENU knob.
  - $\rightarrow$  changes to  $\bullet$  and  $\bullet$  changes to  $?$ .
- 5 Turn the MENU knob until the desired auto iris window appears, then press the MENU knob.



$\bullet$  changes to  $\rightarrow$  and  $?$  changes to  $\bullet$ .

If you select "VARIABLE", the following items become effective and you can set the window of the desired size. Set each item to the desired size.

Item	Setting
IRIS VAR WIDTH	The width of the window
IRIS VAR HEIGHT	The height of the window
IRIS VAR H POS.	The position of the window in the horizontal direction
IRIS VAR V POS.	The position of the window in the vertical direction.

- 6 Set the MENU ON/OFF switch to OFF. The menu disappears from the screen and the display indicating the current status of the camcorder appears along the top and bottom of the screen.

### To counter problems with very bright highlights

If the subject is too bright, the iris may close too much, leaving the overall image dark, or the highlights may be blown out. In such cases, setting the highlight clip function on reduces the luminance range, avoiding problems from the automatic iris correction.

In the AUTO IRIS page of the USER menu, set the CLIP HIGH LIGHT item to "ON".



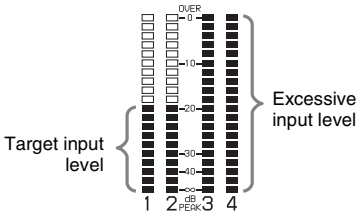
# Adjusting the Audio Level

Setting the AUDIO SELECT CH-1/CH-2 switches to AUTO automatically adjusts the input levels of the audio signal to be recorded in audio channels 1 and 2. You can also adjust the audio level manually.

For audio channels 3 and 4, menu settings allow you to select automatic adjustment, manual adjustment, or fixed.

## Target audio level for automatic audio level adjustment

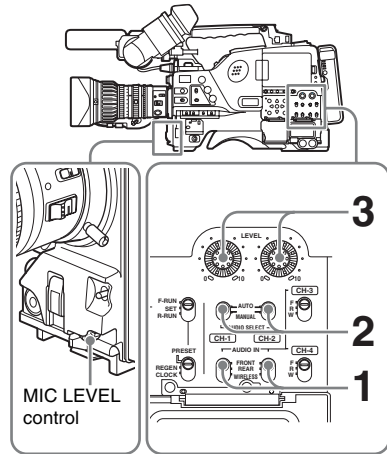
Make adjustment using  $-20$  dB as the target level. If the audio level meter shows a maximum level of 0 dB, then it indicates that the input audio level is excessive.



## Manually adjusting the audio levels of the audio inputs from the AUDIO IN CH1/CH2 connectors

With the XLR connection automatic detection function being on, when a cable is connected to the AUDIO IN CH1 or CH2 connector, the input from these connectors is automatically selected for audio recording. In this case, start the operation from step 2.

You can turn on and off the XLR connection automatic detection function on the AUDIO-1 page of the MAINTENANCE menu.



- 1 To adjust the signal input to the AUDIO IN CH1 or AUDIO IN CH2 connector, set the AUDIO IN CH-1 or AUDIO IN CH-2 switch to REAR. To adjust both input signals, set both switches to REAR.
- 2 Set the AUDIO SELECT switch(es) corresponding to the channel(s) selected in step 1 to MANUAL.
- 3 With the LEVEL control(s) for the channel(s) selected in step 1, adjust so that the audio level meter shows up to  $-20$  dB for a normal input volume.

## Correspondence between recording level adjustments and audio level controls

On the AUDIO-3 page of the MAINTENANCE menu, you can select which audio level control controls the audio recording level of the input to each of the AUDIO IN CH1/CH2 connectors. The correspondences between the settings of the menu items and the controls are as follows.

**REAR1/WRR LEVEL:** Audio recording level of channel 1

Setting	Control
SIDE1	LEVEL (CH-1) control (on the left)
FRONT	MIC LEVEL control
F+S1	LEVEL (CH-1) control linked with MIC LEVEL control.

**REAR2/WRR LEVEL:** Audio recording level of channel 2

Setting	Control
SIDE2	LEVEL (CH-2) control (on the right)
FRONT	MIC LEVEL control
F+S2	LEVEL (CH-2) control linked with MIC LEVEL control.

#### Note

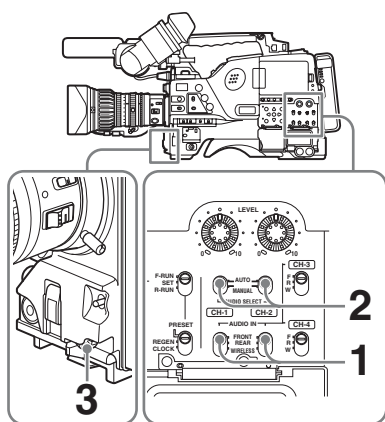
When you have operation of the LEVEL (CH-1/CH-2) controls and MIC LEVEL control linked together, if the MIC LEVEL control is set to 0, the audio signals on channels 1 and 2 cannot be recorded. Check the position of the MIC LEVEL control before adjusting the LEVEL (CH-1/CH-2) controls.

## Manually adjusting the audio level of the MIC IN connector

#### Note

If the XLR connection automatic detection mode is on, when the cables are connected to the AUDIO IN CH1/CH2 connectors, the camcorder detects the connection to the AUDIO IN CH1/CH2 connectors. Thus, the AUDIO IN switches are internally reset to REAR and the audio signals input to the AUDIO IN CH1/CH2 connectors are automatically selected.

Before adjusting the audio level of the front microphone, confirm that no cables are connected to the AUDIO IN CH1/CH2 connectors. Alternatively, set the REAR XLR AUTO item to "OFF" on the AUDIO-1 page of the MAINTENANCE menu.



**1** Set either or both of the AUDIO IN switch(es) to FRONT.

**2** Set the AUDIO SELECT switch(es) for the desired channel(s) selected in step 1 to MANUAL.

**3** Turn the MIC LEVEL control, and adjust so that the audio level meter shows up to  $-20$  dB for a normal input volume.

## Correspondence between recording level adjustments and audio level controls

On the AUDIO-3 page of the MAINTENANCE menu, you can select which audio level control controls the audio recording level of the front microphone input. The correspondences between the settings of the menu items and the controls are as follows.

**MIC CH1 LEVEL:** Audio recording level of channel 1

Setting	Control
SIDE1	LEVEL (CH-1) control (on the left)
FRONT	MIC LEVEL control
F+S1	LEVEL (CH-1) control linked with MIC LEVEL control.

**MIC CH2 LEVEL:** Audio recording level of channel 2

Setting	Control
SIDE2	LEVEL (CH-2) control (on the right)
FRONT	MIC LEVEL control
F+S2	LEVEL (CH-2) control linked with MIC LEVEL control.

#### Note

When you have operation of the MIC LEVEL control and LEVEL (CH-1/CH-2) controls linked together, if the LEVEL (CH-1/CH-2) controls are set to 0, the audio signals on channels 1 and 2 cannot be recorded. Check the position of the LEVEL (CH-1/CH-2) controls before adjusting the MIC LEVEL control.

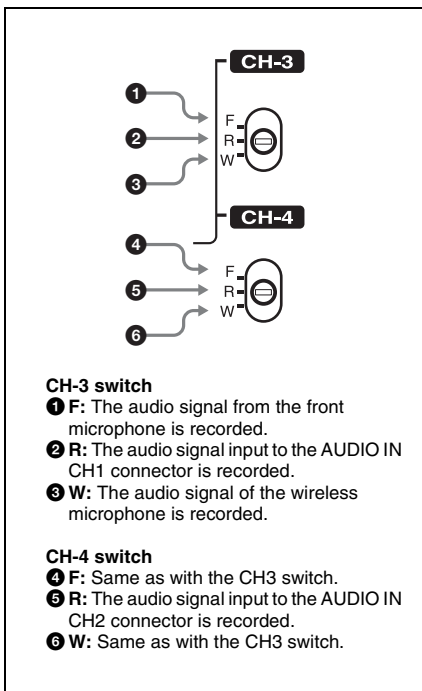
## Recording audio on channels 3 and 4

### Selecting the recorded audio

You can select the audio recorded on audio channels 3 and 4 with the AUDIO IN CH-3/CH-4 switches, or you can have the selection made automatically, as follows.

### To automatically select the same audio as on channels 1 and 2

On the AUDIO-1 page of the MAINTENANCE menu, set the AUDIO CH3/4 MODE item to “CH 1/2”.



#### Note

When the LINE/AES/EBU/MIC switch is set to LINE or MIC, the audio signals recorded on audio channels 3 and 4 are not affected by the XLR automatic detection function. They are determined by the settings of the AUDIO IN CH-3 and CH-4 switches.

## Adjusting the audio recording levels

### To adjust automatically

Set AU CH34 AGC MODE on the AUDIO-2 page of the MAINTENANCE menu to STREO or MONO.

### To adjust manually

- 1 Set **AU CH34 AGC MODE** on the **AUDIO-2** page of the **MAINTENANCE** menu to **OFF**.
- 2 Set **AUDIO CH3 LEVEL** (for audio channel 3) and **AUDIO CH4 LEVEL** (for audio channel 4) on the **AUDIO-3**

### page of the MAINTENANCE menu to FRONT.

The levels of audio channels 3 and 4 can now be adjusted with the MIC LEVEL control.

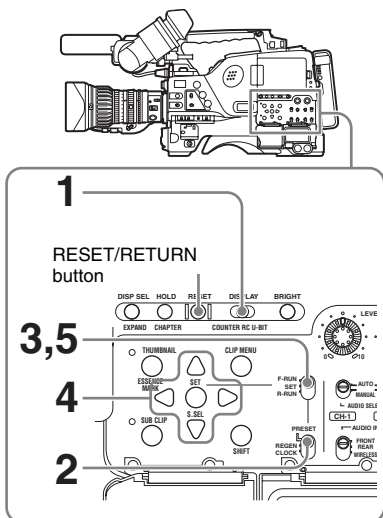
### To set to a fixed value

In step 2 of the previous procedure “To adjust manually”, set the menu items to FIX.

# Setting the Time Data

## Setting the timecode

The timecode setting range is from 00 : 00 : 00 : 00 to 23 : 59 : 59 : 29 (hours : minutes : seconds : frames) for the PDW-700.



- 1 Set the **DISPLAY** switch to **TC**.
- 2 Set the **PRESET/REGEN/CLOCK** switch to **PRESET**.
- 3 Set the **F-RUN/SET/R-RUN** switch to **SET**.  
The first (leftmost) digit of timecode flashes.
- 4 Use the **up** and **down** arrow buttons to change values, and use the **left** and **right** arrow buttons to move the flashing digit. Repeat until all digits are set.  
  
To reset the timecode value to 00 00 00 00  
Press the **RESET/RETURN** button.
- 5 Set the **F-RUN/SET/R-RUN** switch to **F-RUN** or **R-RUN**.

**F-RUN:** Free run. The timecode generator keeps running.

**R-RUN:** Recording run. The timecode generator runs only while recording.

### To set the drop frame mode/non-drop frame mode

You can select the drop frame (DF) mode or non-drop frame (NDF) mode on the **TIMECODE** page of the **MAINTENANCE** menu.

### To make the timecode consecutive

When the **F-RUN/SET/R-RUN** switch is set to **R-RUN**, recording a number of scenes on the disc normally produces consecutive timecode. However, once you remove the disc and record on another disc, the timecode will no longer be consecutive when you use the original disc again for recording. In this case, to make the timecode consecutive, set the **PRESET/REGEN/CLOCK** switch to **REGEN**.

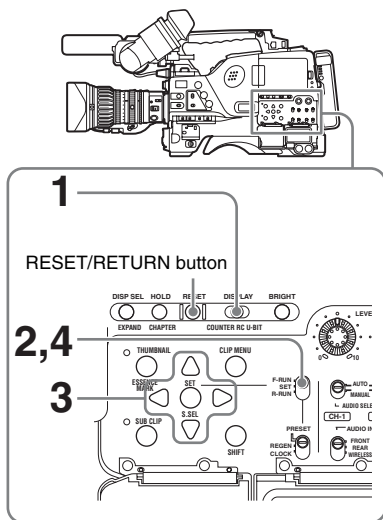
### Saving the real Time in the Timecode

Setting the **PRESET/REGEN/CLOCK** switch to **CLOCK** saves the real time in the timecode. When it is necessary to set the actual time, use the **TIME/DATE** page of the **DIAGNOSIS** menu.

For details, see "Setting the Date/Time of the Internal Clock" on page 41.

## Setting the user bits

By setting the user bits (up to 8 hexadecimal digits), you can record user information such as the date, time, or scene number on the timecode track.



- 1 Set the **DISPLAY** switch to **U-BIT**.
- 2 Set the **F-RUN/SET/R-RUN** switch to **SET**.  
The first (leftmost) digit flashes.
- 3 Use the **up and down arrow buttons** to change values, and use the **left and right arrow buttons** to move the flashing digit. Repeat until all digits are set.  
**To reset the user bit data to 00 00 00 00**  
Press the **RESET/RETURN** button.
- 4 Set the **F-RUN/SET/R-RUN** switch to **F-RUN** or **R-RUN**, corresponding to the desired operating mode for the timecode generator.  
The set user bit data will be recorded for both **LTC** and **VITC**.

#### To store the user bit setting in memory

The user bit setting (apart from the real time) is automatically retained in memory even when the power is turned off.

## Synchronizing the timecode

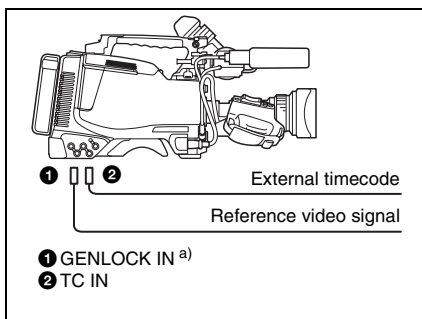
You can synchronize the internal timecode generator of this camcorder with an external generator for the regeneration of an external timecode. You can also synchronize the timecode

generators of other camcorders/VTRs with the internal generator of this camcorder.

## Connections for timecode synchronization

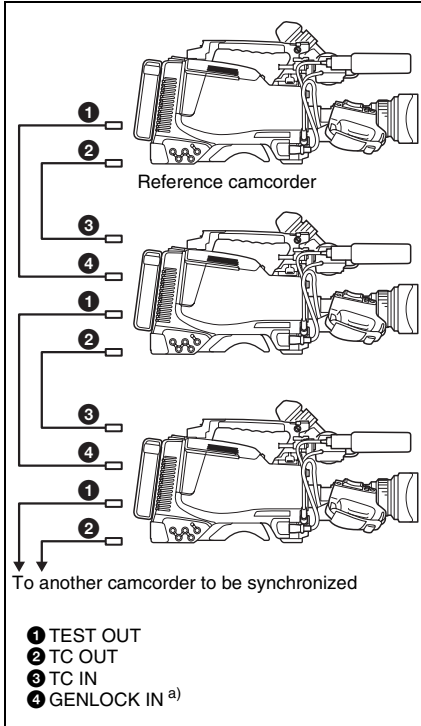
Connect both the reference video signal and the external timecode as illustrated below.

### Example 1: Synchronizing with an external timecode



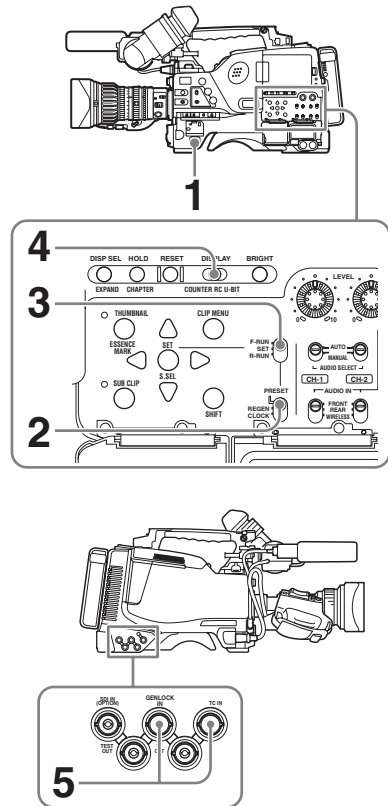
- a) Set **GENLOCK** to **ON** on the **GENLOCK** page of the **MAINTENANCE** menu, if **GENLOCK** is set to **OFF**.

## Example 2: Interconnecting a number of camcorders or timecode synchronization



a) Set GENLOCK to ON on the GENLOCK page of the MAINTENANCE menu, if GENLOCK is set to OFF.

## To lock the timecode to an external source



- 1 Turn on the **POWER** switch.
- 2 Set the **PRESET/REGEN/CLOCK** switch to **PRESET**.
- 3 Set the **F-RUN/SET/R-RUN** switch to **F-RUN**.
- 4 Set the **DISPLAY** switch to **TC**.
- 5 Supply a timecode signal and a reference video signal complying with the **SMPTE** standard and in proper phase relationship, to the **TC IN** connector and to the **GENLOCK IN** connector, respectively.

This operation synchronizes the internal timecode generator with the external timecode. After about 10 seconds, you can disconnect the external timecode without losing the synchronization. However, there will be noise on the recorded image if you connect or disconnect the timecode signal during recording.

#### Notes

- When you finish the above procedure, the internal timecode is immediately synchronized with the external timecode and the counter display will show the value of the external timecode. However, wait for a few seconds until the sync generator stabilizes before recording.
- If the frequency of the reference video signal is not the same as the system frequency of the camcorder, the camera cannot be correctly genlocked. In such a case, the internal timecode is not correctly synchronized with the external timecode.
- When the GENLOCK ON/OFF item is set to OFF on the GENLOCK page of the MAINTENANCE menu, the timecode cannot be synchronized with the reference video signal. In this case, set the GENLOCK item to ON on the GENLOCK page of the MAINTENANCE menu.

#### User bit settings during timecode synchronization

When the timecode is synchronized, only the time data is synchronized with the external timecode value. Therefore, each camcorder can have its own user bit settings.

You can lock the users bits of this camcorder to the user bits of external timecode by setting EXT-LK UBIT in the TIMECODE page of the MAINTENANCE menu to EXT.

#### To release the timecode synchronization

First disconnect the external timecode, then set the F-RUN/SET/R-RUN switch to R-RUN.

#### To change the power supply from the battery pack to an external power supply during timecode synchronization

To maintain a continuous power supply, connect the external power supply to the DC IN connector before removing the battery pack. You may lose timecode synchronization if you remove the battery pack first.

#### Camera synchronization during timecode synchronization

During timecode synchronization, the camera is genlocked to the reference video signal input from the GENLOCK IN connector.

## Handling Discs

### Discs used for recording and playback

The following Professional Discs <sup>1)</sup> can be used for recording and playback on this unit:

- PFD23A (capacity 23.3 GB)
- PFD50DLA (capacity 50.0 GB)

1) Professional Disc is a trademark of Sony Corporation.

#### Notes

- It is not possible to use the following discs for recording or playback on this unit:
  - Blu-ray Disc
  - Professional Disc for Data
- PFD50DLA discs can be used only by XDCAM devices with the DL mark (see the following illustration). They cannot be used by XDCAM devices without this mark.



### Notes on handling

#### Handling

The Professional Disc is housed in a cartridge, and is designed to allow handling free of risk from dust or fingerprints. However, if the cartridge is subjected to a severe shock, for example by dropping it, this can result in damage or scratching of the disc. If the disc is scratched, it may be impossible to record video/audio, or to play back the content recorded on the disc. The discs should be handled and stored carefully.

- Do not touch the surface of the disc itself within the cartridge.
- Deliberately opening the shutter may cause damage.

- Do not disassemble the cartridge.
- The supplied adhesive labels are recommended for indexing discs. Apply the label in the correct position.

#### Storage

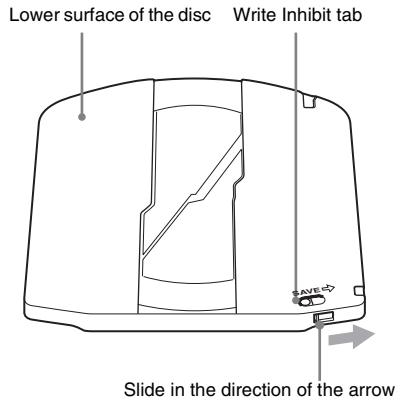
- Do not store discs where they may be subjected to direct sunlight, or in other places where the temperature or humidity is high.
- Do not leave cartridges where dust may be able to gain ingress.
- Store cartridges in their cases.

#### Care of the discs

- Remove dust and dirt on the outside of a cartridge using a soft dry cloth.
- If condensation forms, allow ample time to dry before use.

### Write-protecting discs

To protect the content recorded on the disc from accidental erasure, move the Write Inhibit tab on the lower surface of the disc in the direction of the arrow, as shown in the following figure.



#### Write Inhibit tab settings



Recording enabled



Recording disabled

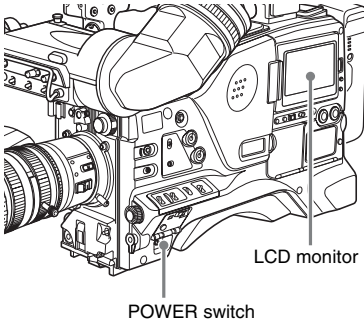


You can also write protect-individual clips. For details, see "Locking (write-protecting) clips" on page 111.

## Loading and unloading a disc

### To load a disc

#### 1 Turn on the POWER switch.

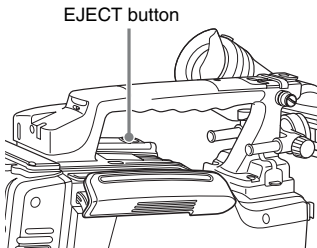


#### Note

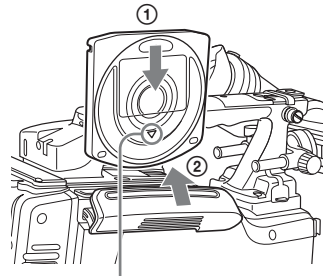
If there is condensation inside the VDR section, the message "HUMID" appears in the status display on the color LCD. If this happens, wait until the indicator goes off before going on to step 2.

#### 2 Press the EJECT button.

This opens the lid of the disc compartment.



#### 3 ① Insert the disc in the ▼ direction, and ② close the disc compartment lid manually.



▼ indication on the outside

The disc is loaded.

#### Note

To insert the disc correctly, make sure that the camcorder is in the upright position (the grip upside, the bottom downside).

### To unload a disc

With the power supply on, press the EJECT button to open the disc compartment lid and eject the disc, then remove the disc. If you are not going to insert another disc, close the disc compartment lid.

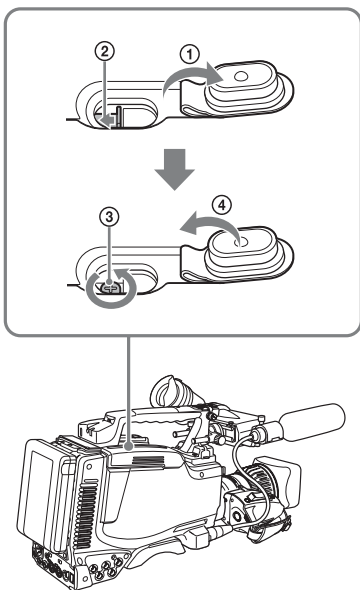
#### To unload a disc when the power supply is off

If the battery is exhausted, it is not possible to remove the disc by pressing the EJECT button. In such cases, use the following emergency procedure to remove the disc manually.

#### 1 Turn off the POWER switch.

#### 2 Carry out the operation shown in the following figure.

- ① Open this rubber cover.
- ② Using a screwdriver or similar implement, slide the black metal plate visible inside, in the direction of the rear of the camcorder.  
The disc compartment lid opens. A red Phillips screw is visible inside the rubber cap.
- ③ Use a Phillips screwdriver to turn the screw counterclockwise (the direction shown on the rubber cap).  
This ejects the disc.
- ④ Close the rubber cover firmly.



You need not return the screw to its original position after taking out the disc. Turning on the power makes the disc compartment mechanism operable again.

#### Note

Do not touch the disc or try to forcibly remove it until it has been completely ejected.

## Formatting a disc

### When using a new disc

An unused disc requires no formatting operation. The disc is automatically formatted so that it is ready to use when loaded into this unit.

### To format a disc on which material is recorded

See page 123 for details of formatting a disc.

#### Note

When a recorded disc is formatted, all the data on the disc is erased. (Even locked clips (see page 111) are also erased.)

## Handling of discs when recording does not end normally (salvage function)

Recording processing does not end normally if, for example, the battery pack is removed during recording, or if the power cord is disconnected during recording. Because the file system is not updated, video and audio data recorded in real time is not recognized as files and clip contents recorded up to that point are lost.

However, this unit has a salvage function which can hold losses to the minimum by reconstructing clips on such discs.

Note that no recorded clip contents are lost when the POWER switch is set to OFF and when battery exhaustion is detected, because the unit does not become powered off until after the end of recording processing.

#### Notes

- Do not disconnect the battery pack or power cord until recording processing has finished and the ACCESS indicator has gone out.
- This function salvages as much recorded material as possible after an unforeseen accident, but 100% restoration cannot be guaranteed.
- Even when this function is used, it is not possible to recover data from immediately before the interruption of recording. The amount of data lost is as follows.
  - **Quick salvage:** From 2 to 4 seconds of data before the interruption of recording.
  - **Full salvage:** From 4 to 6 seconds of data before the interruption of recording.
 (More data may be lost when the unit is subject to vibrations, when you switch frequently between recording and paused, and when you use functions such as Picture Cash.)

### Quick salvage

When the unit is powered on again after a recording interruption due to a power interruption, with the disc still loaded in the unit, clips are reconstructed on the basis of backup data stored in nonvolatile memory and markers recorded on the disc. Processing time is about 5 seconds.

### Full salvage

When recording on an XDCAM device is interrupted because of a power interruption, and a disc is manually ejected from that device with the

power off, clips are reconstructed on the basis of markers recorded on the disc when the disc is loaded in this unit. Therefore, processing takes longer than for a quick salvage (about 30 seconds, although it depends on the state of the disc). Proceed as follows to perform a full salvage.

## 1 Insert the disc on which recording did not end normally.

The following salvage message appears.

```

SALVAGE
TO RECORD ON THE
DISC, IT IS NECESSARY
TO EXECUTE SALVAGE.

SALVAGE OK?
YES →NO
    
```

## 2 Turn the MENU knob to move → to “YES”, and press the MENU knob.

Salvage processing starts, and the message “EXECUTING” appears.

A results message appears when the processing finishes.

- If the salvage succeeded, the message “COMPLETED” appears.
- If the salvage failed, the message “INCOMPLETED” appears. Clips for which recording did not end normally are lost.

### To exit without salvaging

Select NO in step 1 to exit without performing salvage processing.

However, the status of the disc does not change. Salvage is still required to recover the clips for which recording did not end normally. The salvage message will appear again when that disc is inserted again, or when the camcorder is powered on again.

#### Notes

- If salvage processing is not done, sections which were recorded normally can be played back, but no new recording can be done on the disc.
- Full salvage of discs recorded by this camcorder can be performed with the PDW-HD1500 or PDW-700. Full salvage cannot be performed with any other XDCAM device. The following message may appear when you insert a disc that

was not recorded normally. The “XXXX” in the message is a code for XDCAM devices that can salvage the disc. Refer to the table below and use one of the indicated devices to salvage the disc.

```

SALVAGE
DISC CANNOT BE
RECORDED.

FORMAT DISC OR CONTACT
SERVICE TO RUN CLIP
SALVAGE PROGRAM.
(XXXX)

PUSH ESCAPE SWITCH
OR ROTARY ENCODER.
    
```

Code (XXXX)	Model name
0002	PDW-1500/530/510/R1
0200	PDW-F70/F350/F330
0300 <sup>a)</sup>	PDW-HD1500/700

a) Does not appear on this unit.

To cancel the message and return to normal operation, exchange the disc for a usable disc and flick the CANCEL/PRST/ESCAPE switch to the ESCAPE side, or press the MENU knob.

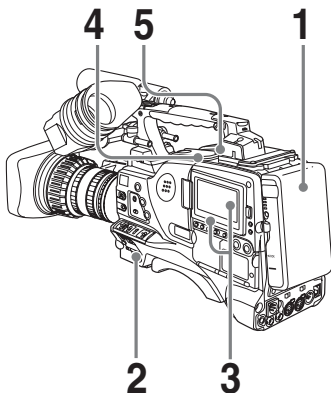
# Basic Procedure for Shooting

This section describes the basic procedures for shooting and recording.

Before a shooting session, ensure that the camcorder is functioning properly.

For details, see "Testing the Camcorder Before Shooting" on page 209.

## Basic procedure for shooting: from power supply to disc loading



### 1 Attach a fully charged battery pack.

For details, see "Preparing a Power Supply" on page 35.

### 2 Set the POWER switch to ON.

### 3 Press the DISP SEL/EXPAND button to switch the LCD monitor to status display, and check that the following conditions are met.

- The HUMID indicator is not showing.  
If it is, wait until it disappears.
- The battery status indicator shows at least five segments (■).  
If it does not, replace the battery pack with a fully charged one.

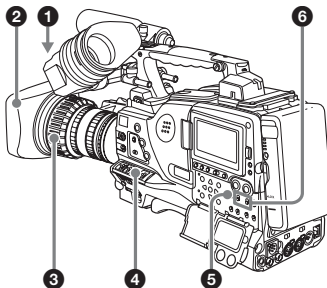
### 4 Check that there are no obstructions such as cables near the disc compartment lid. Then press the EJECT button to open the disc compartment lid.

### 5 After checking that the disc is not write-protected (see page 72), load it and close the disc compartment lid.

## Basic procedure for shooting: from adjusting the black balance and white balance to stopping recording

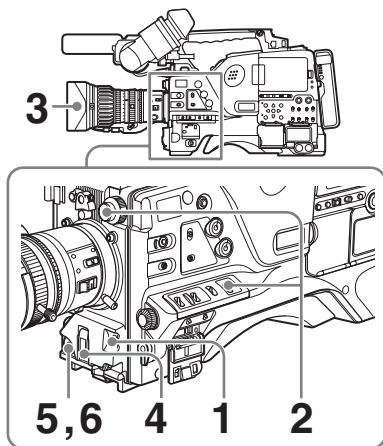
### Switch settings

After turning on the power and loading a disc, set the switches and selectors as shown below and begin operation.



- ① DISPLAY: ON
- ② Iris: Automatic
- ③ Zoom: Automatic
- ④ OUTPUT/DCC: CAM, DCC: ON
- ⑤ F-RUN/SET/R-RUN: F-RUN or R-RUN  
(set as needed)
- ⑥ AUDIO SELECT CH-1/CH-2: AUTO

## Shooting



- 1** Flick the AUTO W/B BAL switch to BLK to adjust the black balance.

*For details of black balance adjustment, see page 55.*

- 2** Select the CC filter and ND filter to match the lighting conditions, and adjust the white balance.

*For details, see "Adjusting the white balance" on page 56.*

- 3** Aim the camera at the subject and adjust the focus and zoom.

- 4** If necessary, set the electronic shutter for an appropriate mode and speed.

*For details, see "Setting the Electronic Shutter" on page 60.*

- 5** To start recording, press the REC START button or the VTR button on the lens.

If the recording start/stop function is assigned to one of the ASSIGN 1/3/4 switches, COLOR TEMP. button, or RET button on the lens, you can also use this switch.

*On how to assign functions to the ASSIGN switches, see page 178.*

During recording, the REC indicator lights in the viewfinder. Perform zooming and focus control, if necessary.

### Note

During recording (while the ACCESS indicator is lit) do not remove the battery pack. If you do, the internal processing for recording may not finish properly, which may cause the last few seconds of recording to be lost.

*For details, see "Handling of discs when recording does not end normally (salvage function)" on page 74.*

- 6** To stop recording, press the REC START button or the VTR button on the lens again.

The REC indicator in the viewfinder goes off.

The material recorded from step 5 to step 6 is saved as a single clip.

### To check the last two seconds of the recording (recording review)

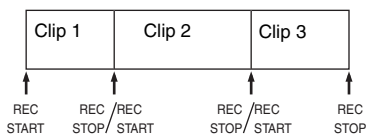
If you press the RET button on the lens while recording is paused, the last two seconds of the recording is played back. If you hold down the RET button, a low-speed reverse search begins at a position two seconds before the recording end position. When you release the RET button, the reverse search stops and playback in the forward direction begins. After playback, the camcorder is ready to start recording again.

By assigning the the same function as that of the RET button on the lens to the ASSIGN 1/3/4 switch or COLOR TEMP. button, you can use the switch in the same way as the lens RET button.

*On how to assign functions to the ASSIGN switches, see page 178.*

- 7** Repeat steps 5 and 6 as required for shooting.

Each time you repeat steps 5 and 6, successive clips are recorded on the disc.



**Notes**

- It is not possible to record a clip shorter than 2 seconds. If you stop recording within 2 seconds of starting, this results in a 2-second clip. If you stop recording and restart within 2 seconds of the original start, this creates a single continuous clip from the original start time.
- The maximum number of clips that can be recorded on a single disc is 300. If an attempt is made to record more than 300 clips, the error message “MAX # Clips” appears, even if there is free capacity on the disc.

**Playback control buttons**

During recording, the playback control buttons (EJECT, F REV, F FWD, NEXT, PREV, PLAY/PAUSE, STOP) have no effect.

**Playing back the recorded clip****Normal playback**

By pressing the PLAY/PAUSE button, you can review any length of recording on the viewfinder screen in black and white or in color on the LCD monitor. There are two other ways to review the recording.

**Recording review:** You can view the last two seconds of the recording on the viewfinder screen in black and white or in color on the LCD monitor.

**Viewing color playback on a video monitor:** You can view the recording in color on a color video monitor without the need for any external adaptor.

You can also view playback video during a fast forward or reverse search.

*For details about the switches and controls used to select the audio output signal and to adjust the audio level, see page 18 and page 26.*

**To freeze a picture during playback**

The following operation can also be done from the RM-B150/B750 Remote Control Unit.

- 1 Press the PLAY/PAUSE button to start playback.**
- 2 Press the PLAY/PAUSE button again at the instant when you want to freeze the picture.**  
The playback pauses and a frozen picture appears.

The timecode of the frozen frame is displayed in the counter display and the PLAY/PAUSE indicator now flashes (one flash/second).

**To restart playback**

Press the PLAY/PAUSE button once again.

**To display camera video in the viewfinder during playback (Live & Play function)**

During playback, the viewfinder normally displays the playback video. But you can enable this function to view live camera video instead. This is a convenient way to frame the next shot and adjust the focus and exposure while viewing recorded video on the LCD monitor or an external monitor.

(How to select an item in the menu screen: Turn the MENU knob to move the  $\blacktriangleright$  mark to the desired item.)

**1 Display the OUTPUT 2 page of the OPERATION menu.**

*For details on menu operations, see “Basic menu operations” on page 163.*

**2 Select LIVE & PLAY, and then turn the MENU knob to display “ON”.**

The camera video appears in the viewfinder, even during playback.

You can still check the playback video on the LCD monitor. Playback signals are output from the video output connectors.

**Disc playback start position**

Although this unit uses optical discs, it is designed to offer the most convenient features of tape playback by VTRs. One of these is the playback start position, which works in the same way as with tape, as described below.

**After playback stop**

The unit stops at the position where the STOP button was pressed.

Press the PLAY/PAUSE button to resume playback at the stop position.

**After recording**

The unit stops at the position where recording ended.

To play back a clip, press the PREV button to move to the start frame of any clip, or press the F REV button to move to any position.

### After disc insertion

The unit stops at the position of the disc when it was most recently ejected.

Press the PLAY/PAUSE button to resume playback at the most recent position.

The playback position is saved to the disc when the disc is ejected, which allows playback to start at that position whenever it is loaded into any XDCAM player.

#### Note

The playback position is not recorded to the disc if the disc is write-protected.

---

## Deteriorating playback conditions

---

Deteriorating playback may be due to the following causes.

- **Scratches and dust on the disc surface**  
This includes fingerprints, dust from the air, tar from cigarette smoke, and so on. Scratches and soiling which occur before recording are not a problem because they are registered in advance as defects, and recording avoids them. However, scratches and soiling which occur after recording can lead to deteriorating playback conditions.
- **Aging of disc recording layers**  
Over several decades, the recording layers of optical discs can age and cause deteriorating playback conditions.
- **Deteriorating laser diodes performance**  
The performance of the laser diodes used in optical heads can worsen with age, leading to deteriorating playback conditions.

*Refer to the Maintenance Manual for an approximate guide to when it is time to replace optical heads.*

### To prevent playback conditions from deteriorating

Pay attention to the following points when handling discs.

- Do not open disc cartridges and touch discs directly with your hands.
- Do not store for long periods in locations which are dusty or exposed to air circulated by fans.
- Do not store for long periods under high temperatures or in locations exposed to direct sunlight.

### If playback conditions have deteriorated

Read errors occur when playback conditions continue to deteriorate.

When a read error occurs, the message “DISC ERROR!” appears, the video freezes, and the audio output is suppressed.

If this happens, check the following points.

**Whether the disc displays the same playback condition on other XDCAM devices:** If so, the surface of the disc may be dirty or scratched, or the performance of the recording layers on the disc may have worsened due to age. Do not use discs with these symptoms.

**Whether every disc inserted into an XDCAM device displays the same playback conditions:** If so, the performance of the laser diodes may have deteriorated. Check the total optical output time.

---

## Deleting the recorded clip

---

*For details, see “Deleting clips” on page 112.*

# Advanced Operations for Shooting

## Recording essence marks

Shot marks and other essence marks can be recorded on the disc.

Recording essence marks for scenes containing important images and sounds enables quick access to the marked points. This increases editing efficiency.

### To record a shot mark using the RET button on the lens

To make it possible to record shot marks using the RET button on the lens, carry out the following procedure.

(How to select an item in the menu screen: Turn the MENU knob to move  $\blacktriangleright$  to the desired item.)

#### 1 Display the ESSENCE MARK page of the MAINTENANCE menu.

?M1	1	O	ESSENCE MARK	TOP
RET	SHOT MARK 1	:	ON	
RET	SHOT MARK 2	:	ON	
INDEX	PIC. POS	:	OSEC	

For details on menu operations, see “Basic menu operations” on page 163.

#### 2 Select the essence mark to be recorded, and press the MENU knob to display “ON”.

#### 3 Repeat the step 2, as necessary.

#### To record shot mark 1/2

When the camcorder is in recording or playback mode, operate the lens RET button as follows.

**Shot mark 1:** Press the RET button once.

**Shot mark 2:** Press the RET button twice in rapid succession.

“ShotMark1” or “ShotMark2” appears in the viewfinder screen for about one second near the timecode display.

If the SHOT MARK 1 or SHOT MARK 2 recording function has been assigned to one of the ASSIGN 1/3/4 switches and COLOR TEMP. button, you can also use that switch to record a SHOT MARK 1 or SHOT MARK 2 essence mark.

*On how to assign functions to the ASSIGN switches, see page 178.*

## Setting clip flags with switches

You can set three types of clip flags (OK/NG/KEEP) during recording, immediately after recording, or during playback. Setting these flags in each clip that you record makes it easy for editors and other colleagues to find and select the clips they need.

You can use switches on the unit to set these flags. But before you can do so, you need to assign the corresponding flag functions to the ASSIGN 1/3/4 switches, the COLOR TEMP button, or the RET button on the lens (see page 178).

#### To set a clip flag

During recording, immediately after recording, or during playback (including search and still picture playback), press the button to which the flag function has been assigned. Press the button once at the position where you want to set the flag.

The specified flag is set, and “\*\*\* ClpFlg” (\*\*\*: OK, NG, or KEEP) appears near the timecode display in the viewfinder for about three seconds.

#### To clear a clip flag

During recording or playback, press the button to which the flag function has been assigned. Press the button twice in rapid succession.

The flag is cleared, and “ClpFlg DEL.” appears for about three seconds.

*You can also set and clear clip flags from a GUI screen. For details, see “Setting clip flags” (page 111).*



## Setting the thumbnail image at recording time

When you record a clip, you can specify which frame to use as the clip thumbnail image (*see page 95*).

(The factory default setting is to use the first frame in the clip as the thumbnail.)

For example, if all clips have the same image in their first frames, you can specify a frame a few seconds after the start of the clip, so that all thumbnails will not show the same image.

(How to select an item in the menu screen: Turn the MENU knob to move  $\blacktriangleright$  to the desired item.)

### 1 Display the ESSENCE MARK page of the MAINTENANCE menu, and press the MENU knob.

*For details on menu operations, see "Basic menu operations" on page 163.*

### 2 Select INDEX PIC. POS, and press the MENU knob.

### 3 Turn the MENU knob to select the desired time.

### 4 Press the MENU knob.

## Starting a shoot with a few seconds of pre-stored picture data (Picture Cache function)

The camcorder has a large capacity internal memory, in which you can cache the last few seconds (maximum 30 seconds) of captured video and audio, so that recording starts from a point just before you press the REC START button or the VTR button on the lens.

### Setting the Picture Cache mode/Picture Cache time

To record in Picture Cache mode, you need to turn on Picture Cache mode and set the picture data storage time (Picture Cache time) using the USER menu.

The Picture Cache time determines the number of seconds recorded from the Picture Cache, counting back from the time when you press the REC START button or the VTR button on the

lens to start recording. However, the number of seconds actually recorded from the Picture Cache may be shorter immediately after the setting of the VDR SAVE/STBY switch is changed, and in the special situations explained in the following notes.

#### Notes

- Storage of images to memory begins after you select Picture Cache mode. If you begin recoding immediately after selecting Picture Cache mode, images from before the selection will not be recorded.
- During playback, recording review or GUI screen operations, no data is saved to the Picture Cache memory. Thus it is not possible to use this function to rerecord the last few seconds of material from playback or recording review.

### To set the Picture Cache mode/Picture Cache time

(How to select an item in the menu screen: Turn the MENU knob to move  $\blacktriangleright$  to the desired item.)

### 1 Display the REC FUNCTION page of the OPERATION menu.

?0050REC FUNCTION	TOP
CACHE/INTVAL REC:	OFF
DISC EXCHG CACHE:	OFF

*For details on menu operations, see "Basic menu operations" on page 163.*

### 2 Select CACHE REC, and turn the MENU knob to display CACHE.

### 3 Select CACHE REC TIME, and turn the MENU knob to display the desired Picture Cache time.

As you turn the MENU knob, the Picture Cache time changes as follows: 0-2s  $\leftrightarrow$  2-4s  $\leftrightarrow$  4-6s  $\leftrightarrow$  6-8s  $\leftrightarrow$  8-10s  $\leftrightarrow$  18-20s  $\leftrightarrow$  28-30s.

The Picture Cache mode settings once made continue to be effective until changed. You can assign the Picture Cache on/off function to one of the ASSIGN 1/2/3/4 switches, COLOR TEMP. button, and RET button on the lens.

*For details, see "Assigning functions to ASSIGN switches" on page 178.*

## Notes

- You can do a menu operation to change the Picture Cache time while the camcorder is in recording mode. However, the new setting takes effect only after the recording is finished.
- In Picture Cache mode, the internal timecode generator operating mode is always F-RUN regardless of the setting of the F-RUN/SET/R-RUN switch.

### Camcorder operations in Picture Cache mode

The recording procedure in Picture Cache mode is basically the same as that for normal recording. However, note the following differences.

- When you record in Picture Cache mode, the picture you are shooting now is recorded to disc after the picture data stored in memory (equal to the Picture Cache time) is recorded to disc. For this reason, disc access may continue for a short time after you press the REC START button to stop recording. During this time, the playback control buttons are disabled, as in recording mode. Also, if you press the REC START button or the VTR button on the lens to restart recording during this time, a separate clip is recorded.
- When you press the REC START button or the VTR button on the lens to restart recording during disc access, the start point of the recorded clip may be later than the Picture Cache time, especially when there are a large number of clips recorded on the disc. In Picture Cache mode, you should avoid stop and start recording operations in quick succession.
- The time disc access stops after the REC START button is pressed equals the Picture Cache time. However, if you start recording within the Picture Cache time immediately after selecting Picture Cache mode, changing the Picture Cache time or performing playback or recording review, the picture data for the duration of the Picture Cache time will not be stored in memory. Thus, the time disc access stops after the STOP button is pressed becomes shorter than the Picture Cache time.
- In Picture Cache mode, you cannot set the F-RUN/SET/R-RUN switch to SET to make timecode settings. To make timecode settings, first exit Picture Cache mode.

### When power is lost during recording in Picture Cache mode

- If the POWER switch is turned off during recording in Picture Cache mode, the camcorder gets powered off after disc access

has continued for a few seconds so that the picture at the moment when the POWER switch is turned off is recorded.

- If you remove the battery, pull out the DC cable, or cut power to the AC adaptor during recording in Picture Cache mode, video and audio stored in memory will be lost without being recorded to the disc. For this reason, make sure you do not replace the battery while recording.

## Time-lapse video (Interval Rec function)

Using the memory in the camcorder, you can capture time-lapse video. There are two modes for this function, which is known as “Interval Rec”.

**Auto Interval Rec mode:** In Auto Interval Rec mode, pictures are automatically shot a frame (two frames when the recording format is set to 720p) at a time at the specified interval and stored in memory. To use this function, you must set the total time for shooting (TAKE TOTAL TIME) and the length of time for recording on the disc (REC TIME).

**Manual Interval Rec mode:** A specified number of frames (NUMBER OF FRAME) is recorded when you press the REC START button or the lens VTR button.

There are two Manual Interval Rec modes: a single shot mode in which recording is done once with each press of the button, and a consecutive mode in which recording is done repeatedly at a specified interval after the button is pressed.


A pre-lighting function is available in Auto Interval Rec mode and the consecutive mode of Manual Interval Rec mode. This function automatically turns on the light before recording starts, which allows you to record pictures under stable light and color temperature conditions.

### Note

Interval Rec settings cannot be made while this unit is in the following states.

- The disc exchange cache function is enabled.
- SCAN MODE on the FORMAT page of the OPERATION menu is set to “23.9P”.

## Operation limitations during recording

Item	Description
 (i.LINK) S400 connector	Cannot be used.
Time code	The internal time code generator runs in R-RUN mode regardless of how the F-RUN/SET/R-RUN switch is set.
Audio signals	Not recorded.
Playback control buttons	<ul style="list-style-type: none"> <li>• <b>Auto Interval Rec mode and the consecutive mode of Manual Interval Rec mode</b> The EJECT, F REV, F FWD, NEXT, PREV, PLAY/PAUSE and STOP buttons are disabled. To use these buttons, stop recording by pressing the REC START button or the VTR button on the lens.</li> <li>• <b>The single shot mode of Manual Interval Rec mode</b> The F REV, F FWD, NEXT, PREV, PLAY/PAUSE, and STOP buttons are disabled. To use these buttons, exit the Interval Rec mode by pressing the EJECT button.</li> </ul>
Menu operations	<p>The settings of the Interval Rec-related items on the REC FUNCTION page of the OPERATION menu cannot be changed. To change the settings, do either of the following.</p> <ul style="list-style-type: none"> <li>• <b>Auto Interval Rec mode and the consecutive mode of Manual Interval Rec mode</b> Stop recording by pressing the REC START button or the VTR button on the lens.</li> <li>• <b>The single shot mode of Manual Interval Rec mode</b> Exit the Interval Rec mode by pressing the EJECT button.</li> </ul>
When the camcorder power is switched off	<ul style="list-style-type: none"> <li>• When you set the POWER switch to OFF, the camcorder will switch off by itself after disc access has continued for a few seconds to record the picture data stored in memory.</li> <li>• If you remove the battery, unplug the DC cable, or cut power to the AC adaptor, picture data stored before recording stops (a maximum of ten seconds) may be lost. Take care when replacing the battery.</li> </ul>

## Auto Interval Rec mode settings and shooting

### To make settings

#### 1 Display the REC FUNCTION page of the OPERATION menu.

For details on menu operations, see “Basic menu operations” on page 163.

#### 2 Select CACHE/INTVAL REC, and turn the MENU knob to display “A.INT”.

```

0050REC FUNCTION      TOP
→CACHE/INTVAL REC: ● A.INT
TAKE TOTAL TIME : 5MIN
REC TIME       : 5SEC
PRE-LIGHTING   : OFF
DISC EXCHG CACHE: OFF
  
```

As you turn the MENU knob, the setting changes as follows: OFF ↔ CACHE ↔ A.INT ↔ M.INT.

#### 3 Select TAKE TOTAL TIME, and turn the MENU knob to select the desired total time for shooting.

As you turn the MENU knob, the setting changes as follows: 5MIN ↔ 10MIN ↔ 15MIN ↔ 20MIN ↔ 30MIN ↔ 40MIN ↔ 50MIN ↔ 1H ↔ 2H ↔ 3H ↔ 4H ↔ 5H ↔ 7H ↔ 10H ↔ 15H ↔ 20H ↔ 30H ↔ 40H ↔ 50H ↔ 70H ↔ 100H.

Here MIN means minutes (5MIN is 5 minutes) and H means hours (1H is one hour).

#### 4 Select REC TIME, and turn the MENU knob to select the desired time to be recorded on the disc.

As you turn the MENU knob, the setting changes as follows: 5SEC ↔ 10SEC ↔ 15SEC ↔ 20SEC ↔ 30SEC ↔ 40SEC ↔ 50SEC ↔ 1MIN ... 85MIN.

Here SEC means seconds (5SEC is 5 seconds) and MIN means minutes (1MIN is one minute).

You cannot set a REC TIME that is more than one thirtieth of TAKE TOTAL TIME.

The setting value changes within the range that can be set.

For example: When TAKE TOTAL TIME is set to 1H, the maximum value of REC TIME is 2 MIN. (60 minutes divided by 30 gives 2 minutes.)

## 5 As required, select PRE-LIGHTING, and turn the MENU knob to select the lighting on-time before recording starts.

As you turn the MENU knob, the setting changes as follows: OFF ↔ 2SEC ↔ 5SEC ↔ 10SEC.

### Note

Set the LIGHT switch on the camcorder to AUTO to turn on the light before recording. The light switch must also be set to ON. With these settings, the light turns on and off automatically. However, the light remains on continuously if the off time is 5 seconds or less.

When the LIGHT switch is set to MANUAL and the light switch is set to ON, the light remains on continuously. (The light does not turn on and off automatically.)

When the setting is completed, the message “AUTO INTERVAL \*\*M\*\*S” appears along the bottom of the viewfinder screen. “\*\*M\*\*S” indicates the shooting interval.

For example, the message “AUTO INTERVAL 00M04S” indicates that the shooting interval is four seconds.

The camcorder exits Auto Interval Rec mode whenever it is powered off. However, the TAKE TOTAL TIME, REC TIME, and PRE-LIGHTING settings are maintained. You do not need to set them again the next time you use Auto Interval Rec mode.

### To shoot and record

**1 After performing the basic procedures for shooting and recording, following the instructions in “Basic Procedure for Shooting” (page 76), secure the camcorder so that it will not move.**

**2 Press the REC START button or the VTR button on the lens.**

The camcorder starts recording in Auto Interval Rec mode. When you use the PRE-

LIGHTING function, recording starts after the light is switched on.

The actual recording to disc begins when the camcorder has saved about ten seconds of video in memory, so disc access is intermittent.

While recording in Auto Interval Rec mode, the TALLY (green tally) indicator in the viewfinder flashes (4 flashes/second) and the message “AUTO INTERVAL \*\*M\*\*S” flashes on the viewfinder screen.

When the camcorder is capturing the picture in memory, the REC (recording, red tally) indicator in the viewfinder lights.

After the length of time for recording on the disc (REC TIME) has elapsed, the camcorder automatically stops recording.

### To interrupt shooting

Press the REC START button or the VTR button on the lens.

Disc access may occur for recording picture data already stored in memory.

### To continue shooting

Press the REC START button or the VTR button on the lens again.

### To exit Auto Interval Rec mode

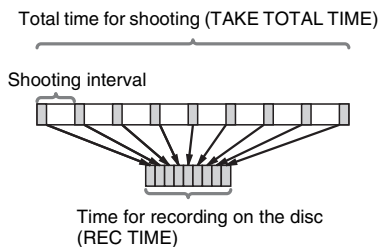
Do either of the following.

- Set the POWER switch to OFF.
- Set CACHE/INTVAL REC to OFF on the REC FUNCTION page of the OPERATION menu.

### Time required for shooting and time required for recording on the disc

Auto Interval Rec mode is effective for shooting objects that move very slowly. To use this function, you need to set the total time for shooting (TAKE TOTAL TIME) and the length of time for recording on the disc (REC TIME). The time required for shooting is the time required to capture the very slowly moving subject, and the camcorder must be arranged so that during this time the subject is always in the frame.

The disc recording time indicates the running time of the completed recording. The camcorder calculates the time-lapse interval from these two times.



## Manual Interval Rec mode settings and shooting

Manual Interval Rec has the following two modes.

**Single shot mode:** Each time the REC START button or VTR button on the lens is pressed, the camcorder captures to memory a single shot consisting of the specified number of video frames.

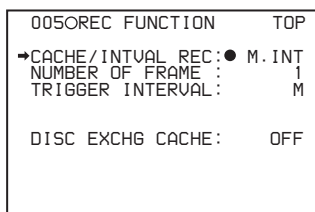
**Consecutive mode:** Once the REC START button or VTR button on the lens is pressed, the camcorder captures consecutive shots to memory at the specified interval, with each shot consisting of the specified number of video frames.

### To make settings

#### 1 Display the REC FUNCTION page of the OPERATION menu.

For details on menu operations, see "Basic menu operations" on page 163.

#### 2 Select CACHE/INTVAL REC, and turn the MENU knob to display "M.INT".



As you turn the MENU knob, the setting changes as follows: OFF ↔ CACHE ↔ A.INT ↔ M.INT.

When M. INT appears, the camcorder is in Manual Interval Rec mode and the TALLY (green tally) indicator in the viewfinder flashes.

#### 3 Select NUMBER OF FRAME, and turn the MENU knob to select the desired number of frames to be recorded in each shot.

As you turn the MENU knob, the setting changes as follows: 1 ↔ 3 ↔ 6 (when SYSTEM LINE is set to 720 and REC FORMAT is set to HD422 50, HD420 HQ, or HD420 SP: 2 ↔ 6 ↔ 12).

#### 4 Select TRIGGER INTERVAL, and turn the MENU knob to select the desired trigger mode or length of interval.

As you turn the MENU knob, the setting changes as follows: M ↔ 1SEC ↔ 2SEC ↔ 3SEC ↔ 4SEC ↔ 5SEC ↔ 6SEC ↔ 7SEC ↔ 8SEC ↔ 9SEC ↔ 10SEC ↔ 15SEC ↔ 20SEC ↔ 30SEC ↔ 40SEC ↔ 50SEC ↔ 1MIN ↔ 2MIN ↔ 3MIN ↔ 4MIN ↔ 5MIN ↔ 6MIN ↔ 7MIN ↔ 8MIN ↔ 9MIN ↔ 10MIN ↔ 15MIN ↔ 20MIN ↔ 30MIN ↔ 40MIN ↔ 50MIN ↔ 1H ↔ 2H ↔ 3H ↔ 4H ↔ 6H ↔ 12H ↔ 24H.

Here SEC means seconds (5SEC is 5 seconds) and MIN means minutes (1MIN is one minute).

**M:** The single shot mode (recording only one shot after one operation). In the viewfinder, the TALLY (green tally) indicator flashes twice per second.

**A setting value other than "M":** The consecutive mode (recording shots repeatedly after one operation). In the viewfinder, the TALLY (green tally) indicator flashes four times per second.

#### 5 When a setting value other than "M" (the consecutive mode) is selected in step 4, select PRE-LIGHTING, and turn the MENU knob to select the lighting on-time before recording starts as required.

As you turn the MENU knob, the setting changes as follows: OFF ↔ 2SEC ↔ 5SEC ↔ 10SEC.

#### Note

Set the LIGHT switch on the camcorder to AUTO to turn on the light before recording. The light switch must also be set to ON. With these settings,

the light turns on and off automatically. However, the light remains on continuously if the off time is 5 seconds or less.

When the LIGHT switch is set to MANUAL and the light switch is set to ON, the light remains on continuously. (The light does not turn on and off automatically.)

When the setting is completed, the following message appears along the bottom of the viewfinder screen.

**In single shot mode:** MANU INTERVAL \*  
FRAME

**In consecutive mode:** MANU INTERVAL \*  
SEC \* FRAME

“\* SEC” indicates the length of interval and “\* FRAME” indicates the number of frames.

The camcorder exits Manual Interval Rec mode whenever it is powered off. However, the NUMBER OF FRAME, TRIGGER INTERVAL, and PRE-LIGHTING settings are maintained. You do not need to set them again the next time you use Manual Interval Rec mode.

### To shoot and record

- 1 **After performing the basic procedures for shooting and recording, following the instructions in “Basic Procedure for Shooting” (page 76), secure the camcorder so that it will not move.**
- 2 **Press the REC START button or the VTR button on the lens.**

The camcorder starts recording in Manual Interval Rec mode. When you use the PRE-LIGHTING function, recording starts after the light is switched on.

While recording in Manual Interval Rec mode, the TALLY (green tally) indicator in the viewfinder flashes (2 or 4 flashes/second) and the message “MANU INTERVAL (\* SEC) \* FRAME” flashes on the viewfinder screen.

### To exit Manual Interval Rec mode

Do one of the following.

- In the single shot mode, press the EJECT button.
- In the consecutive mode, press the REC START button or the lens VTR button to stop recording.
- Set the POWER switch to OFF.

After the camcorder has exited from Manual Interval Rec mode, it records picture data stored in memory to the disc.

## To exchange discs while recording (Disc Exchange Cache function)

Even if you run out of free disc capacity while recording, you can continue recording by using the Disc Exchange Cache function. This function enables seamless recording over extended recording sessions, too long to fit on one disc, by recording to the unit’s internal memory while you exchange the disc.

### Note

The unit’s internal memory is not unlimited, so the video and audio may be interrupted if it takes too long to exchange the disc.

### To enable the Disc Exchange Cache function

- 1 **Display the REC FUNCTION page of the OPERATION menu.**  
*For details on menu operations, see “Basic menu operations” on page 163.*
- 2 **Select DISC EXCHG CACHE, and turn the MENU knob to display “ON”.**  
The TALLY (green tally) indicator lights in the viewfinder.

### To exchange discs with the function enabled

When the disc exchange cache function is enabled, the following procedure allows you to exchange discs while continuing to record.

- 1 **Press the REC START button or the VTR button on the lens to start recording.**  
The REC (recording, red tally) indicator lights in the viewfinder, and the tally indicator lights.
- 2 **Press the EJECT button with the unit still in the recording state.**

The REC (recording, red tally) indicator in the viewfinder and the tally indicator flash (once per second), and the disc is ejected.

#### If the message “DISC FULL!” appears

You can continue recording, because video and audio continue to be saved to internal memory. Press the EJECT button and continue to step 3.

#### Note

Do not stop recording before pressing the EJECT button. If you stop recording, the unit will stop storing video and audio in internal memory and this function will not work.

### 3 Quickly remove the disc, insert a formatted blank disc, and close the cover.

When the disc is loaded, the REC (recording, red tally) indicator in the viewfinder and the tally indicator change to lit, and recording continues.

#### If the REC indicator and tally indicator begin flashing rapidly during the disc exchange

If the indicators change to flashing twice per second, that means that the unit’s internal memory is almost full. Complete the disc exchange quickly.

#### Note

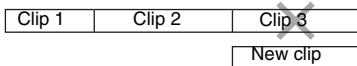
Recording may not start immediately if you insert an unformatted disc, or a disc that already contains a large number of clips. As a result, the video and audio may be interrupted.

## Retaking the most recent clip

A retake function is available, making it easy to erase and retake the most recently recorded clip. To use the retake function, you need to assign it to one of the ASSIGN 1/3/4 switches or COLOR TEMP. button in advance.

For details, see “Assigning functions to ASSIGN switches” on page 178.

Example: After recording clip 3, you want to delete it and record a new clip 3 after clip 2.



## To retake the most recent clip

With recording paused or after the end of a recording review (see page 77), proceed as follows.

### 1 Hold down the button to which the retake function has been assigned.

While the button is held down, the last frame of the recorded clip and the message “PUSH RET FOR CLIP DELETE” appears.

### 2 In this state, press the RET button.

The message “DELETING LAST CLIP” appears, and the processing for deleting the last recorded clip begins.

When the deleting has finished, the message “LAST CLIP WAS DELETED” appears.

#### Note

If an operation (other than recording review) which is not a retake operation is carried out after the last clip has been recorded, the retake function does not work even when the camcorder is in the recording pause state.

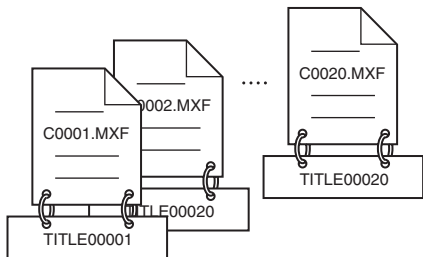
In this case, the message “RE-TAKE NOT ALLOWED!” appears. When you want to replace the last clip with a new clip, delete the clip (see page 112). Once you carry out a retake operation, the last clip is deleted even if you do not carry out a recording operation afterwards.

## Assigning user-defined clip titles automatically

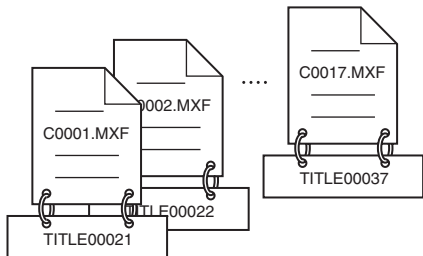
### About the automatic title generation function

By default, clips on each disc are assigned names in the range C0001.MXF to C9999.MXF. For this reason, two discs can contain clips with the same names. The automatic title generation function allows you to assign titles to all of the clips on several discs, which facilitates clip management. For example, if the titles TITLE00001 to TITLE00020 are assigned to clips C0001.MXF to C0020.MXF on disc 1, then the titles TITLE00021 to TITLE00037 are assigned to clips C0001.MXF to C0017.MXF on disc 2.

Titles are made up of prefixes, up to 10 characters in length, and five-digit serial numbers such as TITLE 00001.



Clips recorded on Disc 1



Clips recorded on Disc 2

### Setting the title prefix

You can assign title prefixes by choosing from a prefix list stored in internal memory, or by entering the prefix directly.

However, to choose from a prefix list, you must create the list beforehand on a computer and transfer it to the unit's internal memory with a "Memory Stick".

### Setting the initial value of the serial number

The initial value of the serial number can be set to 00001 (the default) or to any other number. The number is automatically incremented by 1 each time you record a clip. When it reaches 99999, it returns to 00001 for the next clip.

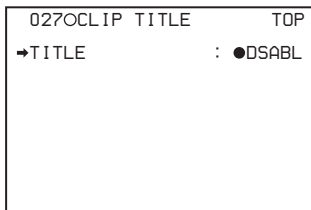
#### Note

Duplicate clip titles can be generated depending on the serial number setting, for example if you reset the serial number to the original value after recording several clips. Care should be taken when setting the serial number.

### To assign user-defined titles automatically when clips are recorded

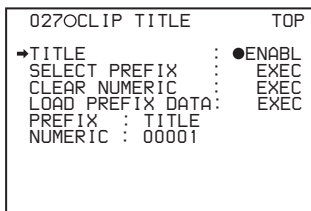
(How to select an item in the menu screen: Turn the MENU knob to move  $\blacktriangleright$  to the desired item.)

#### 1 Display the CLIP TITLE page of the OPERATION menu.



For details on menu operations, see "Basic menu operations" on page 163.

- 2 Select "TITLE" and then press the MENU knob.
- 3 Turn the MENU knob to display "ENABL" and then press the MENU knob.



Clip titles will be generated automatically if you record in this state.

The title of the next clip to be recorded will be a combination of the prefix in the PREFIX field and the serial number in the NUMERIC field.

### To create a list of title prefix strings

Prepare the data beforehand according to the following rules.

#### File name

Assign the name "TITLES.TXT" to the file.

#### Input format

Enter title prefixes one at a time, separated by newline (CRLF) characters.

Prefixes can be up to 10 characters long. A prefix file can contain up to 20 prefixes.

#### Allowable characters

- **Digits:** 0 to 9
- **Alphabetic characters:** a to z, A to Z
- The following symbols: !, #, \$, %, &, ', (, ), ~, =, -, ^, @, [, ], {, }, +, ; (semicolon), , (comma), . (period), \_ (underscore)
- Space



### Title prefix list example

Tennis<CRLF>  
Basketball<CRLF>  
Skiing\_1<CRLF>  
Skiing\_2<CRLF>

### To transfer a title prefix list to the internal memory of the camcorder

(How to select an item in the menu screen: Turn the MENU knob to move  $\blacktriangleright$  to the desired item.)

#### 1 Copy the title prefix file (TITLES.TXT) to the following folder on the “Memory Stick”.

\\MSSONYPRO\XDCAM\GENERAL\VA  
L\_LIST

#### Note

This folder is created when you insert a “Memory Stick” into the camcorder. Do not create this folder yourself on a computer.

#### 2 Insert a “Memory Stick” with the title prefix file (TITLES.TXT) into the “Memory Stick” slot of the camcorder.

#### 3 On the CLIP TITLE page of the OPERATION menu (see page 137), select “LOAD PREFIX DATA” and then press the MENU knob.

“MEMORY STICK ACCESS” appears, and the file on the “Memory Stick” (TITLES.TXT) is transferred to the internal memory of the unit. The message “COMPLETE!” appears when the transfer finishes.

#### Note

The message “FILE NOT FOUND!” appears if no list of title prefixes is found.

Check the location where the file is stored on the “Memory Stick”.

### To select a prefix from the title prefix list

(How to select an item in the menu screen: Turn the MENU knob to move  $\blacktriangleright$  to the desired item.)

#### 1 Display the CLIP TITLE page of the OPERATION menu.

For details on menu operations, see “Basic menu operations” on page 163.

#### 2 Select “SELECT PREFIX” and then press the MENU knob.

A list of up to 20 title prefixes appears.

```
?P00 TITLE PREFIX   ESC
001: Tennis
002: Basketball
003: Skiing_1
004: Skiing_2
005: Athletics
006: Aquatics
007: Cycling
008: Softball
009: Fencing
010: Sailing
```

#### Note

When no list of title prefixes has been transferred to the internal memory of this unit, only the initial value “TITLE” appears.

#### 3 Select the desired title prefix from the list, and then press the MENU knob.

The CLIP TITLE page appears again, and the selected prefix appears in the PREFIX field.

### To enter a title prefix directly

(How to select an item in the menu screen: Turn the MENU knob to move  $\blacktriangleright$  to the desired item.)

#### 1 Display the CLIP TITLE page on the OPERATION menu.

For details on menu operations, see “Basic menu operations” on page 163.

#### 2 Select “PREFIX” and then press the MENU knob.

A prefix string appears.

```
027 CLIP TITLE      TOP
TITLE              : ENABL
SELECT PREFIX     : EXEC
CLEAR NUMERIC     : EXEC
LOAD PREFIX DATA: EXEC
PREFIX : TITLE
!#$%&'()*+,-.0123456789;
=@ABCDEFGHIJKLMNQRSTU
WXYZ[\]^_`abcdefghijklmnop
qrstuvwxy{|}~
INS DEL RET      ESC END
```

#### 3 Move $\blacksquare$ onto the character you want to change, and then press the MENU knob.

#### 4 Turn the MENU knob to move $\blacksquare$ onto the desired character in the list of selectable characters, and then press the MENU knob.

- 5 Repeat steps 3 and 4 to enter the remaining characters.
- 6 When you have finished entering the prefix, turn the MENU knob to move ■ to “END” and then press the MENU knob.  
The camcorder exits prefix input mode, and the original CLIP TITLE page appears.

---

### To set the initial value of the clip title serial number

---

You can set the initial value of the clip title serial number to 00001 (default) or to any 5-digit value.

#### To return the initial value to 00001

(How to select an item in the menu screen: Turn the MENU knob to move ➔ to the desired item.)

- 1 Display the CLIP TITLE page on the OPERATION menu.  
*For details on menu operations, see “Basic menu operations” on page 163.*
- 2 Select “CLEAR NUMERIC” and then press the MENU knob.  
The message “CLEAR OK? ➔YES NO” appears.
- 3 Select “YES” and then press the MENU knob.  
The value in the NUMERIC field returns to 00001.

#### To set the initial value to any number

(How to select an item in the menu screen: Turn the MENU knob to move ➔ to the desired item.)

- 1 Display the CLIP TITLE page on the OPERATION menu.  
*For details on menu operations, see “Basic menu operations” on page 163.*
- 2 Select “NUMERIC” and then press the MENU knob.
- 3 Move ■ onto the digit you want to change, and then press the MENU knob.
- 4 Turn the MENU knob to move ■ onto the desired digit in the list of selectable digits, and then press the MENU knob.

- 5 Repeat steps 3 and 4 to enter the remaining digits.
- 6 When you have finished entering the value, turn the MENU knob to move ■ to “END” and then press the MENU knob.  
The camcorder exits numeric input mode, and the original CLIP TITLE page appears.

#### To check clip titles

Press the THUMBNAIL button to display the thumbnail screen, and select the clip whose title you want to check.

The title of the selected clip appears in the upper left of the screen.

See “Clip thumbnail screen” (page 96) for more information about the thumbnail screen.

#### Notes

- It is not possible to specify 00000 as the initial value. Even if you enter 00000, the value is reset to 00001 when the camcorder exits numeric input mode.
- The value of the serial number is incremented by 1 every time a title is generated. When the value reaches 99999, the next number restarts from 00001.
- Duplicate clip titles can be generated if you reset the serial number after recording several clips or the same is true depending on the value setting. Care should be taken when setting the serial number.

### Assigning user-defined names to clips and clip lists

The following standard format names are assigned automatically to clips and clip lists that are created or recorded by XDCAM devices.

**Clips:** C0001.MXF to C9999.MXF

**Clip lists:** E0001E01.SMI to E0099E01.SMI

When you record or create clips and clip lists, you can assign user-defined names instead of the standard format names. Assigning meaningful names to clips and clip lists can facilitate file management.

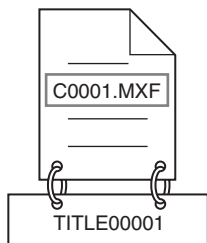
#### Limitations

- Letters, numbers and symbols from the Unicode 2.0 character set can be used. However, the following control characters and symbols cannot be used.
  - **Control characters:** U+0000 to U+001F, U+007F
  - **Symbols:** ", \*, /, :, <, >, ?, \, |

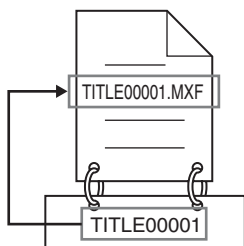
- Depending on the character type, the length of name (“C\*” part) may be limited to 14 characters. (The limit for ASCII characters is 56 characters.)
- All file name extensions are converted automatically to uppercase.
- Titles are used as user-defined clip names on this unit. Therefore, the available characters are limited to those supported by the title function.
- Files generated along with clips and clip lists are assigned the same names (the “C\*” or “E\*” part of the following file names).
  - Clips:** Metadata files (C\*M01.XML), user metadata file (C\*M02.KLV), proxy AV data files (C\*S01.MXF)
  - Clip lists:** Metadata files (E\*M01.XML)
- The following names cannot be assigned.
  - Clips:** C0000.MXF
  - Clip lists:** E0000E01.SMI, E0100E01.SMI to E9999E01.SMI, E0000.SMI, E0100.SMI to E9999.SMI
- The following names should be avoided.
  - Clips:** C5000.MXF to C9999.MXF
  - Clip lists:** E0001.SMI to E0099.SMI

### To assign clip names on this unit

The title assigned to a clip is also used as the name of that clip (or the file name).



When sub item “AUTO NAMING” is set to “C\*\*\*\*\*”



When sub item “AUTO NAMING” is set to “TITLE”

(How to select an item in the menu screen: Turn the MENU knob to move ➔ to the desired item.)

### 1 Before starting, set TITLE on the CLIP TITLE page of the OPERATION menu to ENABL and set a title (see page 88).

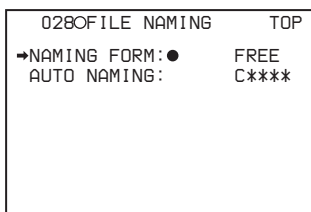
For details on menu operations, see “Basic menu operations” on page 163.

### 2 Display the FILE NAMING page of the OPERATION menu.

### 3 Select NAMING FORM and then press the MENU knob.

### 4 Turn the MENU knob to display “FREE” and then press the MENU knob.

You can now enter a user-defined name.



### 5 Turn the MENU knob to select “AUTO NAMING” and then press the MENU knob.

### 6 Turn the MENU knob to display “TITLE” and then press the MENU knob.

The same name will now be given to newly recorded clips.

#### Notes

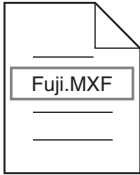
- An FTP client software that supports UTF-8 is required to use Unicode characters other than ASCII characters. Command prompt FTP commands do not support UTF-8.
- When the first letter of the title setting on the CLIP AUTO TITLING menu is a space or period (.), the clip name is the title string minus the first letter.

#### To use clip names and clip list names by FAM and FTP

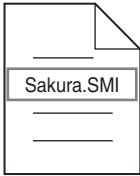
Carry out steps 2 to 4 of “To assign clip names on this unit” (page 91).

It is now possible to write, transfer, and rename clips and clip lists with user-defined names over

file access mode (FAM) connections (*see page 199*) and FTP connections (*see page 203*).



User-defined clip names can be used by FAM and FTP



User-defined clip list names can be used by FAM and FTP

## To set clip names by using planning metadata

Planning metadata is a file that contains metadata about the clips to be shot and recorded.

The following two types of clip name strings can be written in a planning metadata file.

- The ASCII format name that appears in the viewfinder <sup>1)</sup>
- The UTF-8 format name that is actually registered as the clip name <sup>2)</sup>

1) It is also possible to display the UTF-8 format name, or no name (*see page 123*).

2) When no UTF-8 format name string is specified, the ASCII format name string is registered as the actual clip name.

By loading a file from one of the following locations into the unit's memory before starting to shoot, you can register the names in the file as clip names.

To load files, use a GUI screen (*see page 121*).

## File creation rules

File location	File name
<b>Professional Disc:</b> General/Sony/ Planning directory <sup>a)</sup>	<ul style="list-style-type: none"> <li>• Format that can be used in the General directory (<i>see page 198</i>)</li> <li>• Extension: XML</li> </ul>
<b>USB Flash drive:</b> General/Sony/ Planning directory	<ul style="list-style-type: none"> <li>• ASCII characters (up to 63 characters including the extension)</li> <li>• Extension: XML</li> </ul>

a) The General/Sony/Planning directory is generated automatically when you format a disc.

### Clip name string format

In a text editor, modify the two fields in the <Title> tag that contain the clip name strings (the shaded fields in the example below).

Enter a name in the first field in ASCII format (up to 52 characters), and enter another name in the second field in UTF-8 format (up to 52 bytes).

### Clip name string example

```
<?xmlspversion="1.0"spencoding="UTF-8"?>←
<PlanningMetadataspxmlns="http://
xmlns.sony.net/pro/metadata/
planningmetadata"spassignId="
P0001"spcreationDate="
2008-01-20T17:00:00+09:00"splastUpdate="
2008-03-28T10:30:00+09:00"spload="
false"spversion="1.00">←
  <PropertiessppropertyId="
assignment"spupdate="2008-01-20T09:00:
00+09:00"spmodifiedBy="Chris">←
    <TitlespusAscii="Typhoon"spxml:lang
="en">Typhoon_Strikes_Tokyo</
Title>←
  </Properties>←
</PlanningMetadata>←
```

In the above example, <sub>sp</sub> indicates a space and ← indicates a carriage return.

### Notes

- When creating a file, write each line as a single statement, inserting carriage returns only at the indicated carriage return locations, and inserting no unspecified spaces.
- If the UTF-8 format string is longer than 52 characters, the ASCII format string is used as the clip name string.

## Setting clip names

- 1 **Load a planning metadata file containing clip names into the unit's memory** (*see page 121*).
- 2 **Carry out steps 2 to 5 of "To assign clip names on this unit"** (*page 91*).
- 3 **Turn the MENU knob to display "PLAN", and then press the MENU knob.**

Each time that you start recording, the unit automatically creates clip names using the names specified in the planning metadata file. An underscore ( \_ ) and a three-digit serial number (001 to 999) is appended to each clip name.

### Examples of automatically generated clip names

- Clip names displayed in the viewfinder:  
Typhoon\_001, Typhoon\_002, ...
  - The actually recorded clip names:  
Typhoon\_Strikes\_Tokyo\_001,  
Typhoon\_Strikes\_Tokyo\_002, ...<sup>1)</sup>
- 1) When display of the ASCII format clip name has been selected (*see page 123*).

#### Notes

- The serial numbers return to 001 on the next recording operation if you reach number 999.
- Serial numbers are not reset when you power the unit off or exchange discs (newly generated numbers are continuous on the old ones).
- If the ASCII format clip name string is longer than 14 characters, it is displayed in the viewfinder as the first 8 characters + ■ (abbreviated) + the last 4 characters, for a total of 13 characters.

## To check clip names

Press the THUMBNAIL button to display the thumbnail screen, and select the clip whose name you want to check.

The name of the selected clip appears in the upper left of the screen.

*See "Clip thumbnail screen" (page 96) for more information.*

#### Note

The item at the upper left of the screen is displayed according to the following order of priority.  
Title > user-defined clip name > standard format clip

name

Therefore, the display of this item changes as follows, depending on whether or not there is a title.

- When a title has been set as a clip name on this unit, the title is displayed for clips recorded on this unit.
- The user-defined name or standard format name is displayed for clips without a title.

## To check clip information (name, title, etc.)

*For details, see "Checking clip properties" (page 108).*

## Recording video from external devices

You can select between recording of data shot by the camera and recording of data input from an external device by using a menu or by using the ASSIGN 2 switch.

#### Notes

- If you want to use the ASSIGN 2 switch, you must assign the video switching function to the ASSIGN 2 switch beforehand (*see page 178*).
- Switching by the ASSIGN 2 switch takes priority over switching by the menu. (Switching by menu is not possible if the function has been assigned to the ASSIGN 2 switch.)
- Video breakup may occur around the switch if you switch the input during recording.
- Camera video is recorded if you switch to external input without inputting an external video signal to the SDI IN (OPTION) connector or the GENLOCK IN connector.
- It is not possible to record external input video with a changed aspect ratio.

## To record SDI signals (with the CBK-HD01 installed)

When the optional CBK-HD01 HD/SD SDI Input Board is installed in this unit, you can record HD-SDI or SD-SDI signals input to the SDI IN (OPTION) connector. When an HD recording format (MPEG HD422 50, or MPEG HD420 HQ/SP) is selected, SD-SDI signals are upconverted to HD signals before recording.

#### Notes

- It is not possible to record HD-SDI signals when an SD recording format (MPEG IMX 50/40/30, or DVCAM) is selected.

- The system frequency and resolution (HD-SDI input only) of input signals must match the current settings of this unit. Otherwise the input signals cannot be recorded.
- Only audio signals embedded in SDI signals are recorded, regardless of the settings of the AUDIO IN CH-1/CH-2/CH-3/CH-4 switches.

## 1 Display the SOURCE SEL page of the OPERATION menu.

?0260SOURCE SEL	TOP
FRONT MIC SELECT: ?	STREO
REC VIDEO SOURCE:	CAM
EXT VIDEO SOURCE:	HDSDI
WIDE MODE (EXT) :	AUTO
SETUP REMOVE :	7.5%

For details on menu operations, see “Basic menu operations” on page 163.

## 2 Select REC VIDEO SOURCE, and turn the MENU knob to display “EXT”.

## 3 Select EXT VIDEO SOURCE, and turn the MENU knob to select the desired signal to be recorded.

As you turn the MENU knob, the setting changes as follows: HDSDI <sup>1)</sup> ↔ SDCSDI ↔ VBS <sup>2)</sup>.

- 1) HDSDI cannot be selected when an SD recording format is selected.
- 2) Does not appear when the optional CBK-SC02 Analog Composite Input Board is not installed.

After you complete this setting, you can record the video signals of external devices by inputting the SDI signals selected in step **3** to the SDI IN (OPTION) connector.

## Recording analog composite signals (with the CBK-SC02 installed)

When the optional CBK-SC02 Analog Composite Input Board is installed in this unit, you can record analog composite signals input to the GENLOCK IN connector. When an HD recording format (MPEG HD422 50, or MPEG HD420 HQ/SP) is selected, analog composite signals are upconverted to HD signals before recording.

### Note

Even if the GENLOCK item on the GENLOCK page of the MAINTENANCE menu is set to OFF, the unit automatically genlocks to external video signals that are input to the GENLOCK IN connector. When GENLOCK is set to OFF, the genlock is cancelled when the input of external video signals stops and the unit switches to camera shooting.

## 1 Display the SOURCE SEL page of the OPERATION menu.

## 2 Select REC VIDEO SOURCE, and turn the MENU knob to display “EXT”.

## 3 Select EXT VIDEO SOURCE, and turn the MENU knob to display “VBS”. <sup>1)</sup>

- 1) Does not appear when the optional CBK-SC02 Analog Composite Input Board is not installed.

After you complete this setting, you can record external video signals by inputting analog composite signals to the GENLOCK IN connector.

## Overview

You can perform scene searches, play the searched scenes, and select scenes (edit clip list) in Graphical User Interface (GUI) screens. The

GUI screens are your gateways to discs and the data saved on discs.

## Switching between GUI screens

The most important GUI screens are:

**Clip thumbnail screen:** Displays thumbnails of clips on the disc. “Clip” is displayed as the title at the upper left of the screen (*see page 96*).

**Clip list thumbnail screen:** Displays thumbnails of sub clips in a clip list. “Clip List” is displayed as the title at the upper left of the screen (*see page 96*).

There are also two playback screens:

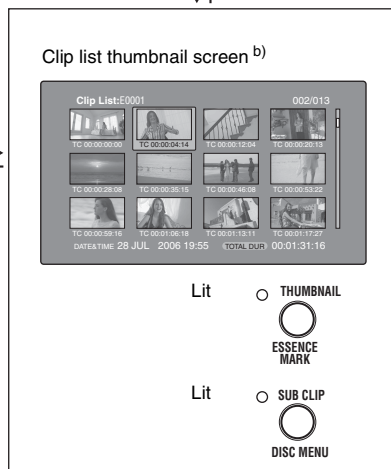
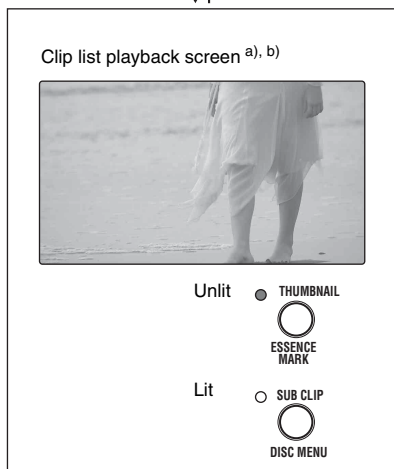
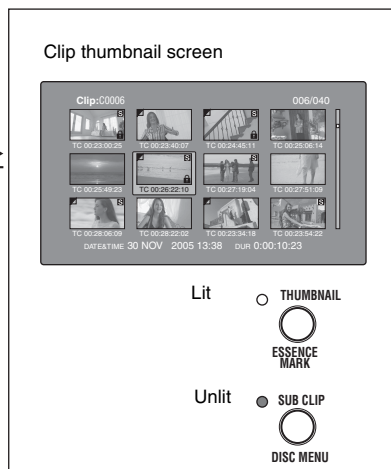
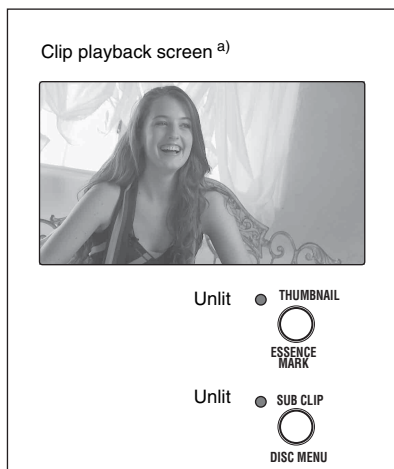
**Clip playback screen:** Playback screen for normal video

**Clip list playback screen:** Playback screen for clip list video

You will use the THUMBNAIL/ESSENCE MARK button **1** and the SUB CLIP/DISC MENU button **2** to switch between these four screens. Each press of these buttons switches between the screens as shown in the following figure. The THUMBNAIL and SUB CLIP indicators light as follows, according to the type of screen that is currently displayed.

### Notes

- To switch between these four screens, a disc with recorded clips must be loaded in the unit.
- The GUI screens can display clip name, titles, and other information in European languages and Japanese, but they cannot display Chinese.



- a) The playback screens appear when the LCD monitor is switched to display of video with (CHAR) or without (MONI) superimposed text. Press the DISP SEL/EXPAND button to switch the LCD monitor to these modes (see page 21).
- b) The clip list playback screen appears when a clip list is loaded into the unit's memory (see page 119).

The other thumbnail screens are:

- Expand thumbnail screen
- Chapter thumbnail screen
- Essence mark thumbnail screen

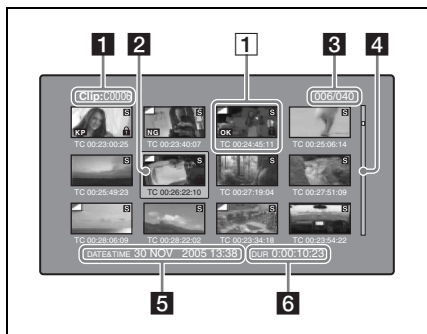
## Information and controls in thumbnail screens

### Clip thumbnail screen

This screen displays thumbnails of clips on the disc in the order that they were recorded. You can



use this screen to work with clips – deleting or locking them, selecting their index pictures, adding them to clip lists, and so on.



### 1 Clip name

Displays the name of the selected clip. When the clip has a title, it is displayed as “TITLE00001” (see page 87). Clip names can be displayed in European languages when the area of use (see page 40) is set to “NTSC AREA” or “PAL AREA”.

#### Note

To display the clip title, Settings >Display Title in the Disc Menu needs to be set to On.

### 2 Selection frame

Indicates that the thumbnail is selected. To select another thumbnail, move the frame (see page 104). Multiple selection frames appear when multiple thumbnails are selected (see page 104).

### 3 Clip number/total number of clips

Displays the total number of clips on the disc, and the number of the selected clip.

### 4 Scrollbar

When not all of the thumbnails can be displayed in the thumbnail display area, the position of the slider shows the relative position of the currently displayed clips, and the length of the slider shows the relative length of currently displayed clips within all of the clips.

When you have a large number of thumbnails, you can save time by using the Skip Scroll function to jump directly to the thumbnail you want (see page 104).

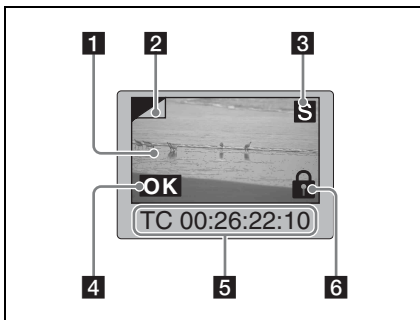
### 5 Clip date and time

Displays the date and time when the selected clip was shot and recorded.

### 6 Duration

Displays the duration (recording time) of the selected clip.

## 1 Thumbnail display items



### 1 Index picture

Displays an image to stand for the content of the clip. The index picture is normally the first frame of the clip.

### 2 Index picture changed mark

This mark, like the folded-over corner of a page that you want to remember, appears when the index picture has been changed to any frame other than the first frame of a clip (see page 108).

#### Note

When you cue up a clip, the unit always cues up the first frame, even when the index picture has been changed to a different frame.

### 3 S mark

This mark appears when shot marks or multiple Rec Start essence marks have been set in the clip (see page 80).

The chapter thumbnail screen can be displayed for clips that show this mark (see page 99).

### 4 Clip flag icon

Displays the corresponding icon when a clip flag (OK/NG/KP (KEEP)) is set in the clip (see page 111).

## 5 Clip and frame information

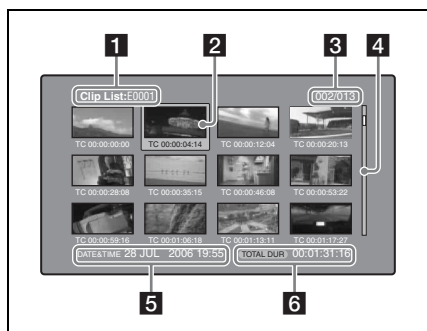
Displays the clip or frame information selected with the Clip Information item in the Thumbnail Menu (see page 107). The factory default selection is the timecode of the first frame or the timecode of the thumbnail frame.

## 6 Lock icon

This icon appears when the clip is locked (protected) (see page 111). Clips cannot be deleted and their clip information cannot be changed when this mark is displayed.

## Clip list thumbnail screen

This screen displays thumbnails of the clips in the current clip list. You can use this screen to create and edit clips lists.



### 1 Clip list name

Displays the name of the clip list. When the clip list has a title, it is displayed as "TITLE00001" (see page 87). Clip list names can be displayed in European languages when the area of use (see page 40) is set to "NTSC AREA" or "PAL AREA".

#### Note

To display the clip list title, Settings > Display Title in the Disc Menu needs to be set to On.

### 2 Selection frame

See the description in "Clip thumbnail screen" (page 96).

### 3 Sub clip number/number of sub clips

Displays the total number of sub clips in the clip list, and the number of the selected sub clip.


## 4 Scrollbar

See the description in "Clip thumbnail screen" (page 96).

## 5 Clip list date and time

Displays the date and time when the clip list was created, or the date and time of its most recent modification. An asterisk (\*) appears after the date and time of creation when the current clip list has not been saved to the disc.

#### Notes

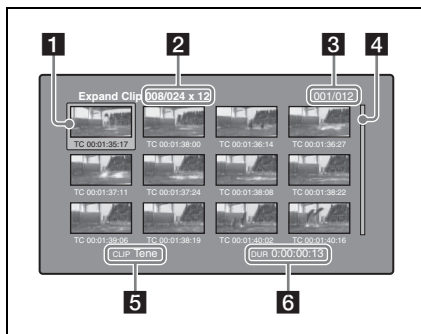
- "New File" appears when no clip list has been loaded into the unit's memory, and when a clip list has been cleared from the unit's memory.
- A  mark appears before the date of creation or modification when a disc is write inhibited. You can create clip lists when the disc is write inhibited, but you cannot save them.

## 6 Total duration

Displays the total duration of all sub clips in the clip list.

## Expand thumbnail screen

This screen displays thumbnails of equally sized divisions of the selected clip.



### 1 Selection frame

See the description in "Clip thumbnail screen" (page 96).

### 2 Clip number/total clips x number of divisions

Displays the number of the selected clip, the total number of clips on the disc, and the number of times that the selected clip has been divided to display the expansion thumbnails.

**3 Thumbnail number/total thumbnails**

Displays the total number of expanded thumbnails and the number of the selected thumbnail.

**4 Scrollbar**

See the description in “Clip thumbnail screen” (page 96).

**5 Clip name**

Displays the name of the expanded clip. When the clip has a title, it is displayed as “TITLE00001” (see page 87). Clip names can be displayed in European languages when the area of use (see page 40) is set to “NTSC AREA” or “PAL AREA”.

**Note**

To display the clip title, Settings >Display Title in the Disc Menu needs to be set to On.

**6 Duration**

Displays the time from the selected thumbnail to the next one.

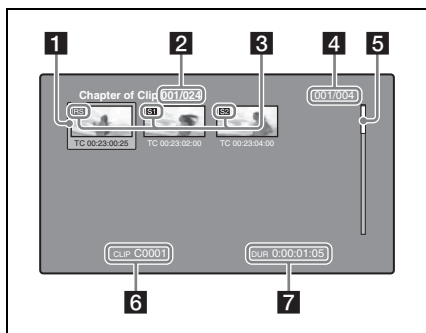
**Chapter thumbnail screen**

The sections between essence marks (shot marks that have been set in clips, and Rec Start essence marks) are called chapters. The sections between shot mark and Rec Start essence marks in clips are called chapters. This screen allows you to display thumbnails of the chapters in the selected clip.

**Note**

Shot marks can be set during recording and playback. They can be deleted and moved.

Rec Start essence marks are set automatically at the start of recording. They cannot be deleted or moved.

**1 Selection frame**

See the description in “Clip thumbnail screen” (page 96).

**2 Clip number/total clips**

Displays the total number of clips on the disc and the number of the clip that contains the displayed chapters.

**3 S1/S2/RS marks**

The “S1”, “S2”, and “RS” marks on the thumbnails indicate frames where Shot Mark1, Shot Mark2, and Rec Start essence marks are set.

**4 Chapter number/total chapters**

Displays the total number of chapters and the number of the selected chapter.

**Note**

The total number of chapters is the total number of chapters in the specified clip only.

**5 Scrollbar**

See the description in “Clip thumbnail screen” (page 96).

**6 Clip name**

Displays the name of the clip that contains the selected frame. When the clip has a title, it is displayed as “TITLE00001” (see page 87). Clip names can be displayed in European languages when the area of use (see page 40) is set to “NTSC AREA” or “PAL AREA”.

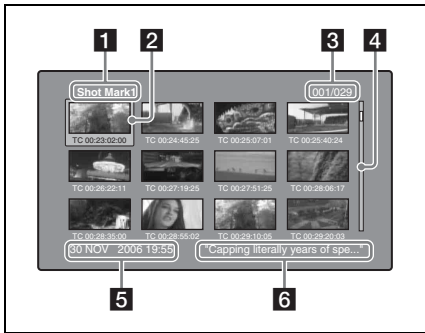
To display the clip title, Settings >Display Title in the Disc Menu needs to be set to On.

**7 Duration**

Displays the time from the first frame of the selected chapter to the first frame of the next chapter.

**Essence mark thumbnail screen**

This screen displays thumbnails of the specified essence mark, found by searching all clips on the disc.



**1 Essence mark name**

Displays the name of the essence mark (Shot Mark1 here).

**2 Selection frame**

See the description in "Clip thumbnail screen" (page 96).

**3 Essence mark number/total essence marks**

Displays the total number of essence marks and the number of the selected essence mark.

**Note**

The total number of essence marks is the total number of essence marks that have been set in all clips on the disc.

**4 Scrollbar**

See the description in "Clip thumbnail screen" (page 96).

**5 Clip date and time**

Displays the date and time when the clip that contains the selected thumbnail was recorded or last modified.

**6 Clip name**

Displays the name of the clip that contains the selected frame. When the clip has a title, it is displayed as "TITLE00001" (see page 87). Clip names can be displayed in European languages when the area of use (see page 40) is set to "NTSC AREA" or "PAL AREA".

To display the clip title, Settings>Display Title in the Disc Menu needs to be set to On.

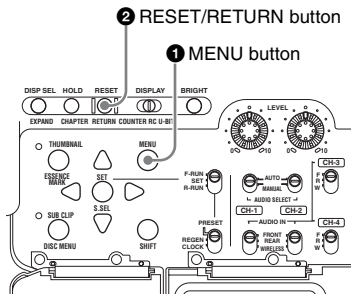
**Displaying menus**

**Thumbnail Menu**

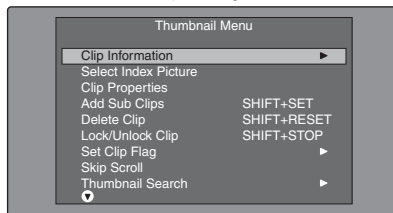
The Thumbnail Menu displays menu items that are valid for the currently displayed thumbnail screen.

**To display the Thumbnail Menu**

To display the Thumbnail Menu, press the MENU button with a thumbnail screen displayed. To return to the original screen, press the MENU button again, or press the RESET/RETURN button.



Thumbnail screen a)



Thumbnail Menu b)

a) Clip thumbnail screen

b) Thumbnail Menu of the clip thumbnail screen

## Shortcut operations

Shortcut button names are displayed next to the menu items of commands that have shortcuts (*see page 124*).

### Note

Shortcuts displayed within parentheses should be used with all menus closed.

## Thumbnail Menu submenus

- The Thumbnail Search Menu contains the basic commands for thumbnail searches.
- The Thumbnail View Menu contains the basic commands for moving to other menus.

## Disc Menu

The Disc Menu allows you to do the following.

Item	Operation/Setting
Load Clip List	Load clip list into this unit's memory.
Save Clip List	Save a clip list to the disc under its current name, overwriting the old contents.
Save Clip list as...	Save a clip list to the disc under a new name.
Delete Clip List	Delete a clip list from the disc.
Clear Clip List	Clear the current clip list from the unit's memory.
Load Planning Metadata/Select Drive	Select a media disc or drive and load planning metadata into this unit's memory.
Planning Metadata Properties	Display the properties of the currently loaded planning metadata.
Clear Planning Metadata	Clear the currently loaded planning metadata from the unit's memory.
Lock or Delete All Clips	<b>Sub-Item</b>
	Lock All Clips
	Unlock All Clips
	Delete All Clips
Disc Properties	Display the properties of the currently loaded disc. Or edit the user disc ID, title, and title 2.
Format Disc	Format (initialize) the currently loaded disc.
Settings	<b>Sub-Item</b>
	SET Key on Thumbnail
	Sort Clip List by...
	Sort Planning Metadata by...
	Display Title
	Planning Clip Name in Clip Info. Area
	Disable "Format Disc"

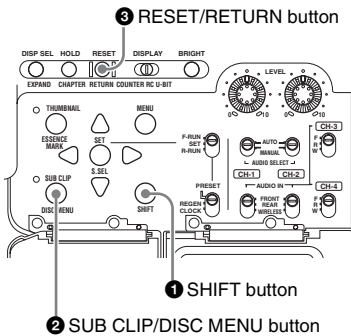
Item	Operation/Setting
Select Mouse Pointer Speed	Selects the speed of the USB mouse pointer used in the software keyboard screen from among the following. 5 Fast/4/3 Middle/2/1 Slow
Select USB Keyboard Language	Selects the language of the USB keyboard used in the software keyboard screen.

### To display the Disc Menu

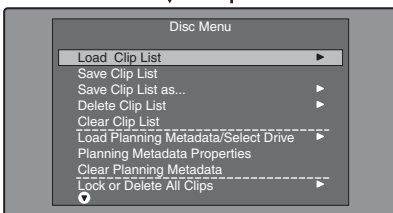
To display the Disc Menu, press the SUB CLIP/DISC MENU button with the SHIFT button held down in one of the following screens.

- Clip thumbnail screen
- Clip list thumbnail screen
- Clip playback screen
- Clip list playback screen

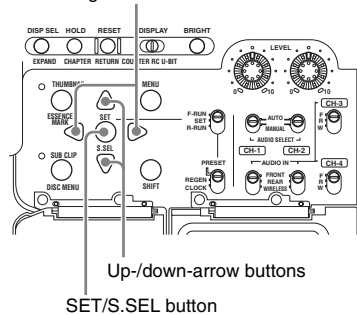
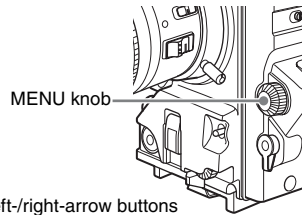
To return to the original screen, press the RESET/RETURN button.



Clip list thumbnail screen



### GUI screen operations



### To select items

Do one of the following to select thumbnails, menu items, timecode digits, and other items.

- Turn the MENU knob.
- Press the up-, down-, left-, or right-arrow button.
- Press the PREV or NEXT button.
- With the SHIFT button held down, press the PREV or NEXT button (to move to the first or last item).
- Press the PREV button with the F REV button held down, or press the NEXT button with the F FWD button held down (to move to the first or last item).
- With the SHIFT button held down, press the up- or down-arrow button (to move to the previous or next page).
- Press the F REV or F FWD button (to move to the previous or next page).

---

### To select multiple thumbnails

---

Do one of the following.

- With the SHIFT button held down, turn the MENU knob.
- With the SHIFT button held down, press the left- or right-arrow button.

---

### To return to the previous screen

---

Press the RESET/RETURN button.

---

### To move from a menu level to the next lower or higher menu level

---

For a menu item displayed together with a ► or ◀ mark, you can move to the next lower or higher menu level by pressing the right- or left-arrow button.

---

### To scroll hidden parts of the string into view

---

When a ► or ◀ mark is displayed for an item, you can press the left or right arrow button to scroll the display by one character for each press. The up and down arrow buttons scroll the beginning and end of the string into view.

---

### To increment and decrement numbers

---

Do one of the following.

- Press the up- or down-arrow button.
- Turn the MENU knob.

---

### To confirm selections

---

Press the SET/S.SEL button or the MENU knob.

## Thumbnail Operations

You can use thumbnail screens to display clip information and to find, protect, and delete clips. The thumbnails provide visual confirmation of these and other operations.

---

### Selecting thumbnails

---

The thumbnail selection frame (*see page 97*) indicates the currently selected thumbnail.

---

### To move the thumbnail selection frame

---

Turn the MENU knob, or press the arrow buttons.

---

### To skip quickly through thumbnails (Skip Scroll function)

---

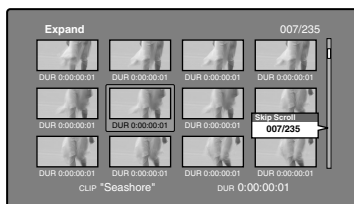
When you have a large number of thumbnails, like in expand thumbnail screen, you can use the Skip Scroll function to skip through them quickly.

*See page 103 for more information about operations in thumbnail screens.*

**1 In the screens like clip thumbnail screen or expand thumbnail screen, display the Thumbnail Menu.**

**2 Select Skip Scroll, and then press the SET/S.SEL button or the MENU knob.**

A small popup window appears on the scrollbar to indicate the position of the currently selected thumbnail within the set of all thumbnails.





### 3 Turn the MENU knob, or press the left- or right-arrow button.

The current position moves by an amount equal to  $\frac{1}{10}$  of the total number of thumbnails.

### 4 Press the SET/S.SEL button or the MENU knob at the new position.

The thumbnail at the position indicated in the small popup window appears in a thumbnail screen like the following <sup>1)</sup>.

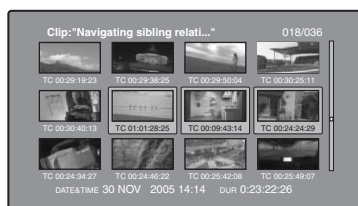


1) Expand thumbnail screen

## To select multiple thumbnails

Move the selection frame to the first thumbnail that you want to select. Then, with the SHIFT button held down, Turn the MENU knob, or press the right-arrow button.

To cancel the multiple selection, move the selection frame without the SHIFT button held down.



## Searching with thumbnails

By using the thumbnails that appear in the various thumbnail screens, you can easily cue up and play clips and sub clips.

## Using thumbnails to find clips

The clip thumbnail screen displays thumbnails of all clips recorded on the disc. You can use this screen to cue up the selected clip and to carry out playback (see page 107).

See "Selecting thumbnails" (page 104) for more information.

## Using the expand function to find scenes

The expand function allows you to divide a selected clip into equally sized blocks, and to display thumbnails of the first frame in each block. This is a quick and efficient way to review the selected clip and search for target scenes. You can specify 12, 144, or 1728 divisions.



### Note

The maximum number of blocks may be other than 1728 when the recorded duration of the clip is short. In this case, the frame interval of expanded thumbnails is fixed at 1 frame. This allows you to view expanded thumbnails at equal intervals.

See page 103 for more information about thumbnail screen operations.

- In the clip thumbnail screen, select the thumbnail of the clip that contains the scene you want to find.**
- Press the DISP SEL/EXPAND button.** The selected clip is divided into 12 blocks, and a list appears in the expand thumbnail screen (see page 98) with the first frame of each block displayed as a thumbnail.
- Select the thumbnail that you want to expand further.**
- Repeat steps 2 and 3 up to 2 times, as required.**

### Note

Thumbnails cannot be further expanded when they already have the minimum duration (1 frame).

**To return to the previous expansion level**  
Press the DISP SEL/EXPAND button with the SHIFT button held down.

**To display the expand thumbnail screen of the previous or next clip**

With the expand thumbnail screen still active, press the PREV button or the NEXT button.

## Using the chapter function to find scenes

Sections between shot marks and Rec Start are called chapters.

Rec Start essence marks are set automatically at the start of recording, but shot marks can be set at any scene during recording or playback.

The chapter function allows you to display thumbnails of the chapters in a clip.

See “Recording essence marks” (page 80) for more information.

See page 103 for more information about thumbnail screen operations.

### 1 In the clip thumbnail screen, select the thumbnail of a clip with chapters set.

The “S” mark appears on the thumbnails of clips with chapters set.

### 2 Press the HOLD/CHAPTER button.

The chapter thumbnail screen (see page 99) appears, with thumbnails of the frames where chapters are set.

The “S1”, “S2”, and “RS” marks on the thumbnails indicate frames where Shot Mark1, Shot Mark2, and Rec Start essence marks are set.

### To delete the shot mark at a chapter position

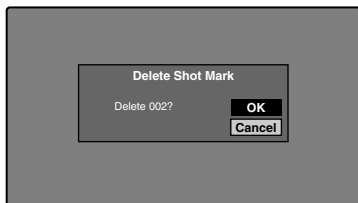
You can delete the shot mark (Shot Mark1 or Shot Mark2) at the chapter position in the chapter thumbnail screen. (Rec Start essence marks cannot be deleted.)

### 1 In the chapter thumbnail screen, select the thumbnail for the frame whose shot mark you want to delete.

### 2 Display the Thumbnail Menu.

### 3 Select Delete Shot Mark.

A message appears asking if you are sure that you want to delete the shot mark.



### 4 Select OK to delete the mark, or Cancel to cancel the deletion, and then press the SET/S.SEL button or the MENU knob.

### To adjust the position of shot marks at chapter positions

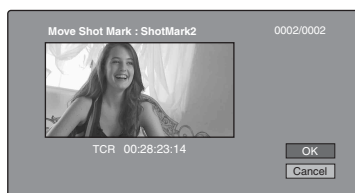
You can use the chapter thumbnail screen to adjust the position of shot marks (Shot Mark1 and Shot Mark2) at chapter positions. (The positions of Rec Start essence marks cannot be adjusted.)

### 1 In the chapter thumbnail screen, select the thumbnail of the shot mark whose position you want to adjust.

### 2 Display the Thumbnail Menu.

### 3 Select Move Shot Mark.

The Move Shot Mark screen is displayed.



You can perform playback and searches in this screen.

### 4 Use the PLAY/PAUSE button or F REV/F FWD buttons to display the frame you want.

You can also perform jog playback by turning the MENU knob.

### 5 Select OK, and then press the SET/S.SEL button or the MENU knob.

### To display the chapter thumbnail screen of the previous or next clip with chapters

With the chapter thumbnail screen still active, press the PREV button or the NEXT button. The unit searches in the reverse or forward direction for the next clip with chapters, beginning with the previous or next clip.

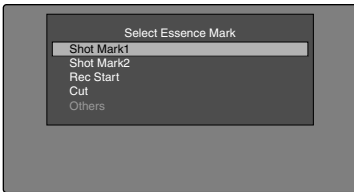
## Using essence marks to find scenes

See page 103 for more information about thumbnail screen operations.

### 1 In the clip playback screen or the clip thumbnail screen, press the

## THUMBNAIL/ESSENCE MARK button with the SHIFT button held down.

The Select Essence Mark screen appears. The names of essence marks that are not recorded on the disc are displayed in gray.



- 2 Select the essence mark that you want, and then press the SET/S.SEL button or the MENU knob.

The essence mark thumbnail screen (see page 99) displays a list of frames where the selected essence mark is set.

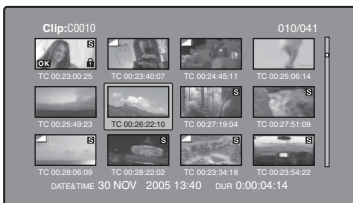
## Playing the scene you have found

After finding a clip with one of the methods explained in the previous section, “Searching with thumbnails” (page 105), you can cue up and play the clip that you have found.

### To search for a thumbnail position and cue it up

See page 103 for more information about GUI screen operations.

- 1 Select the thumbnail that you want to cue up.



- 2 Press the SET/S.SEL button or the MENU knob.

### To play clips with the SET/S.SEL button

In the Disc Menu, set Settings >SET Key on Thumbnail to “Cue up & Play”. Play begins from the selected frame when you press the SET/S.SEL

button, in the same way as when you press the PLAY/PAUSE button.

### To search for a thumbnail position and play from there

See page 103 for more information about GUI screen operations.

- 1 Select the thumbnail that you want to play.
- 2 Press the PLAY/PAUSE button.

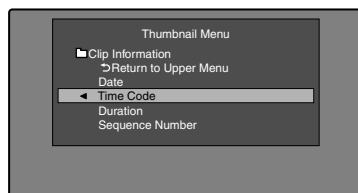


## Selecting the information displayed on thumbnails

You can select the information to be displayed at the bottom of the thumbnails in thumbnail screens.

See page 103 for more information about thumbnail screen operations.

- 1 Display the Thumbnail Menu in the clip thumbnail screen.
- 2 Select Clip Information. A window appears in which you can select the information to display.



- 3 Select the items that you want to display.

**Return to Upper Menu:** Returns to the Thumbnail Menu

**Date:** Date and time of creation, or date and time of the more recent modification

**Time Code:** Timecode of first frame

**Duration:** Playback time

**Sequence Number:** Thumbnail sequence number

The selected information will appear at the bottom of the thumbnails when you display a thumbnail screen.

## Changing clip index pictures

The clip thumbnail screen displays thumbnails as index pictures for clips. Normally the index picture is the first frame in a clip, but you can set any frame in the clip as the index picture.

### Note

You can only change index pictures from the clip thumbnail screen. The thumbnails shown in the clip list thumbnail screen, the expand thumbnail screen, and the chapter thumbnail screen cannot be changed.

## To select a clip index picture while viewing the video

See page 103 for more information about thumbnail screen operations.

- 1 In the clip thumbnail screen, select the thumbnail of the clip whose index picture you want to change.**
- 2 Display the Thumbnail Menu.**
- 3 Select Select Index Picture.**  
Select Index screen appears.



You can play and search with this screen.

- 4 Use the PLAY/PAUSE button or F REV/F FWD buttons to display the frame you want.**  
You can also perform a jog operation by turning the MENU knob.
- 5 Press the up-arrow button to select OK, and then press the SET/S.SEL button or the MENU knob.**

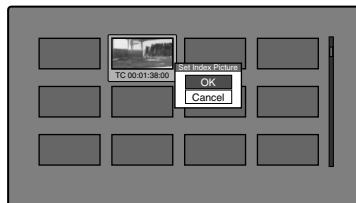
## To select index pictures by using the expand and chapter functions

After using the expand function (see page 105) or chapter function (see page 106) to find a frame, you can set that frame as the index picture of the clip.

The following example explains how to do so from the expand thumbnail screen.

See page 103 for more information about thumbnail screen operations.

- 1 In the expand thumbnail screen, select the thumbnail to set as the index picture.**
- 2 Display the Thumbnail Menu.**
- 3 Select Set Index Picture.**  
A message appears asking you to confirm that you want to set the current frame as the index picture.



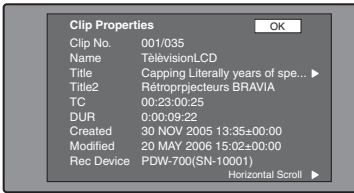
- 4 Select OK, and then press the SET/S.SEL button or the MENU knob.**  
After pressing the RESET/RETURN button to return to the clip thumbnail screen, check to make sure that the newly selected frame is displayed as the index picture.

## Checking clip properties

You can check clip properties such as the title, timecode, duration, date and time of creation, and date and time of the more recent modification.

See page 103 for more information about thumbnail screen operations.

- 1 Display the Thumbnail Menu in the clip thumbnail screen.**
- 2 Select Clip Properties.**  
The Clip Properties screen appears.



**Clip No.:** Clip number/total number of clips

**Name:** Clip name <sup>1)</sup>

**Title:** Title

**Title2:** Title 2 <sup>1)</sup>

**TC:** Timecode of first frame

**DUR:** Recording time

**Created:** Date and time of creation

**Modified:** Date and time of most recent modification

**Rec Device:** Name of device that created clip (product number)

<sup>1)</sup> Titles can be displayed in European languages when the area of use (*see page 40*) is set to "NTSC AREA" or "PAL AREA".

### To scroll hidden parts of the string into view

When a ► or ◀ mark is displayed for an item, you can press the left or right arrow button to scroll the display by one character for each press.

The up and down arrow buttons scroll the beginning and end of the string into view.

### To display the properties of the previous or the next clip

Press the PREV button or the NEXT button.

### To return to the clip thumbnail screen

Press the SET/S.SEL button or the MENU knob.

## To edit clip information

You can edit the name, <sup>1)</sup> title, and title 2 of a clip by using a software keyboard.

<sup>1)</sup> The NAMING FORM item on the FILE NAMING page of the OPERATION menu must be set to FREE (*see page 137*).

### Notes

- The only characters that can be entered are the alphanumeric characters and symbols that appear on the software keyboard, and European language characters displayed on the keyboards illustrated in "List of Supported USB Keyboards" (page 231). Japanese kanji cannot be entered.

- Names and titles must be within the specified character length limits.
- Some symbols cannot be used in clip names. The keys for those symbols are disabled when you are editing a clip name.

*See page 103 for more information about GUI screen operations.*

## 1 In the Clip Properties screen, turn the MENU knob to select the item you want to edit (Name, Title <sup>1)</sup>, or Title2).

<sup>1)</sup> Only ASCII characters can be used for Title.

## 2 Press the SET/S.SEL button or the MENU knob.

An input screen appears for the selected item. (An English keyboard appears if the area of use setting NTSC AREA or PAL AREA. A Japanese keyboard appears if the area of use setting is NTSC(J) AREA.)



## 3 Edit the string in the edit box.

### To enter characters

Use the arrow buttons or turn the MENU knob to select a key, and then press the SET/S.SEL button or the MENU knob.

### Functions of special keys

Key	Function
◀, ▶	Move the cursor one character forward or back.
⏪, ⏩	Move the cursor to Home or End position.
Back Space	Deletes the character in front of the cursor.
CapsLock	Turns the Shift key on permanently (until pressed again), and enables input of capital letters and symbols.
⇧Shift	Enables input of capital letters and symbols. Turns off after entry of one character.

#### 4 Select “OK”, and then press the SET/ S.SEL button or the MENU knob.

You return to the Clip Properties screen, and the results of the editing are reflected in the clip information.

#### To enter text using a USB keyboard or USB mouse

You can connect a Windows USB keyboard or a Windows USB mouse to the USB connector (*see page 28*)<sup>1)</sup>, and use them together with the software keyboard to enter text.

Connect the Japanese keyboard if the area of use has been set to NTSC(J) AREA.

Connect a European language keyboard if the area of use has been set to NTSC AREA or PAL AREA.

1) Some USB keyboards or USB mice may not be used. In this case, the message “Unknown USB” appears.

**To change the keyboard language:** In the Disc Menu, select Settings >Select USB Keyboard Language and then select the desired keyboard from among the following.

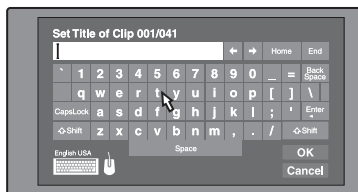
- English [United Kingdom]
- English [United States]
- French [France]
- German [Germany]
- Italian [Italy]
- Polish (Programmers) [Poland]
- Russian [Russia]
- Spanish [Spain]

*See “List of Supported USB Keyboards” (page 231) for the characters that can be entered on the various language keyboards.*

#### Note

The keyboard language cannot be changed when the area of use is set to NTSC(J) AREA.

The keyboard icon on the software keyboard is highlighted when a USB keyboard has been recognized and enabled for use with this unit, and the mouse icon is highlighted and a mouse pointer appears when a USB mouse has been enabled.



#### Notes

- Use the proper keyboard for the area of use. Some characters may not be entered correctly if you use a keyboard designed for use in another area.
- It is not possible to enter Japanese, even on a Japanese keyboard.

#### USB keyboard special functions keys

In addition to the special function keys of the software keyboard, you can use the following special function keys on a USB keyboard.

Key	Function
↑, ↓	<b>When the cursor is in an edit box:</b> Move the cursor to the start or end. <b>When “OK” or “Cancel” has the focus:</b> Moves the focus between “OK” and “Cancel”.
Delete	Deletes the character after the cursor.
Shift + ←, Shift + →	Selects the string before or after the cursor.
Ctrl + C, X, V, A	<b>Ctrl + C:</b> Copies the selected string. <b>Ctrl + X:</b> Cuts the selected string. <b>Ctrl + V:</b> Pastes a copied or cut string. <b>Ctrl + A:</b> Selects the entire string.
Enter	<b>When the cursor is in an edit box:</b> Moves the focus to “Cancel”. <b>When “OK” or “Cancel” has the focus:</b> Exits the software keyboard.
Esc	When the cursor is in an edit box, moves the focus to “Cancel”.
Tab	Moves the focus between “OK” and “Cancel”.

#### USB mouse functions

You can use the mouse to move the cursor on the software keyboard. You can also left click on a key to enter the character for that key.

**To change the speed of the mouse pointer:** In the Disc Menu, select Settings >Select Mouse Pointer Speed and then select the desired speed. Adjust according to the selected mouse.

#### To exit the software keyboard from a USB keyboard

- 1 **With the cursor in an edit box, press the Enter key or the Esc key to move the focus to “Cancel”.**

## 2 Do one of the following.

**To confirm the edit and then exit the software keyboard:** Press the Tab key to move to “OK”, and then press the Enter key.

**To discard the edit and then exit the software keyboard:** While “Cancel” is selected, press the Enter key.

**To continue editing:** Press any key except the Enter key, the Esc key, and the Tab key.

## Setting clip flags

You can set three types of clip flags (OK/NG/KP (KEEP)) during recording or playback. Setting these flags in each clip that you record makes it easy for editors and other colleagues to find and select the clips they need.

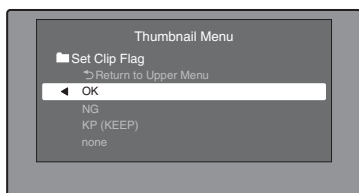
See page 103 for more information about thumbnail screen operations.

### 1 In the clip thumbnail screen, select the thumbnail of the clip where you want to set a flag.

### 2 Display the Thumbnail Menu.

### 3 Select “Set Clip Flag”.

The clip flag setting screen appears.



### 4 Select the clip flag that you want to set (OK/NG/KP (KEEP)).

A clip flag icon (see page 97) appears for clips that have clip flags set.

#### To clear clip flags

Carry out steps 1 to 3, selecting a clip that has a flag set, and then select “none” in step 4.

You can also use switches to set and clear clip flags. For details, see “Setting clip flags with switches” (page 80).

## Locking (write-protecting) clips

In a clip thumbnail screen, you can lock the selected clips so that they cannot be deleted or altered.

Locking prevents the following operations on clips.

- Deletion
- Renaming by FTP
- Changing the index picture
- Adding and deleting shot marks
- Setting and clearing clip flags

#### Notes

- Locked clips are deleted along with other clips when a disc is formatted.
- Clips cannot be locked or unlocked when the Write Inhibit tab of the disc is set to the recording disabled position.

## To lock clips

See page 103 for more information about thumbnail screen operations.

### 1 In the clip thumbnail screen, select the thumbnails of the clips that you want to lock.

### 2 Display the Thumbnail Menu.

### 3 Select Lock/Unlock Clip.

### 4 Press the SET/S.SEL button or the MENU knob.

A lock icon (see page 98) appears on the thumbnail of the locked clips.

In step 1, you can also perform a shortcut operation by pressing the STOP button with the SHIFT button held down.

#### To lock all clips

### 1 Display the Disc Menu.

### 2 Select Lock or Delete All Clips, and then select Lock All Clips.

A message appears asking you to confirm locking all clips.

### 3 Select OK to lock all clips or Cancel to cancel it, and then press the SET/S.SEL button or the MENU knob.

## To unlock a specific clip

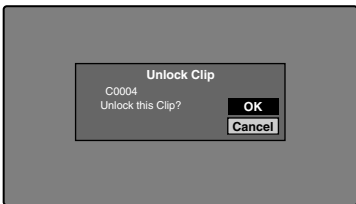
See page 103 for more information about thumbnail screen operations.

**1 In the clip thumbnail screen, select the thumbnail of the clip that you want to unlock.**

**2 Display the Thumbnail Menu.**

**3 Select Lock/Unlock Clip.**

A message appears asking you to confirm the unlocking.



**4 Select OK, and then press the SET/S.SEL button or the MENU knob.**

In step 1, you can also perform a shortcut operation by pressing the STOP button with the SHIFT button held down.

### To unlock all clips

**1 Display the Disc Menu.**

**2 Select Lock or Delete All Clips, and then select Unlock All Clips.**

A message appears asking you to confirm that you want to unlock all clips.

**3 Select OK to execute the unlock, or Cancel to cancel it, and then press the SET/S.SEL button or the MENU knob.**

## Deleting clips

You can delete clips while checking their contents.

### Notes

- Clips cannot be deleted when the Write Inhibit tab of the disc is set to the recording disabled position.
- Locked clips cannot be deleted.

- If a deletion target clips is referenced by clip lists on the disc, all of those clip lists are deleted as well.
- If a deletion target clip is referenced in the current clip list, only those referencing sub clips are deleted at the same time as the deletion target clip.

See page 103 for more information about thumbnail screen operations.

**1 In the clip thumbnail screen, select the thumbnail of the clip that you want to delete.**

**2 Display the Thumbnail Menu.**

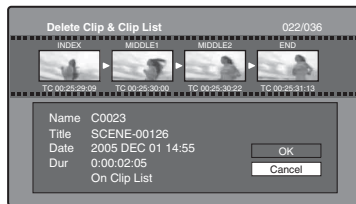
**3 Select Delete Clip.**

A window appears asking you to confirm the deletion. The window displays thumbnails of four frames from the target clip (the first frame, two intermediate frames, and the last frame), along with the name, title, date of creation, and duration of the clip.

One of the following messages also appears, depending on whether the clip is referenced in a clip list.

**When the clip is not referenced in a clip list:** “Delete Clip”

**When the clip is referenced in a clip list:** “Delete Clip & Clip List” (All clip lists that reference the target clip are deleted along with the clip.)



**4 Select OK, and then press the SET/S.SEL button or the MENU knob.**

The selected clip is deleted, and you return to the clip thumbnail screen.

In step 1, you can also perform a shortcut operation by pressing the RESET/RETURN button with the SHIFT button held down.

### To delete all clips

**1 Display the Disc Menu.**



## 2 Select Lock or Delete All Clips, and then select Delete All Clips.

A message appears asking you to confirm that you want to delete all clips.

## 3 Select OK to execute the deletion, or Cancel to cancel it, and then press the SET/S.SEL button or the MENU knob.

### Note

Locked clips cannot be deleted.

## Scene Selection (Clip List Editing)

### What is scene selection?

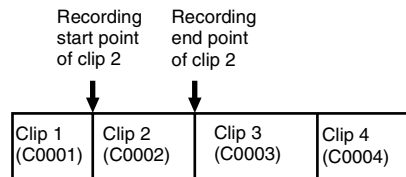
Scene selection is a function which allows you to select material (clips) from the material recorded on a disc and perform cut editing. You can do this by operating on this unit only.

- Scene selection is a convenient way to perform cut editing in the field and in other offline situations.
- In scene selection you create a clip list (editing data). Since the material itself is not affected, you can repeat this any number of times.
- You can play back the edit list created by scene selection on this unit.
- In scene selection you can add whole clips or add parts of a clip. You can add scenes using chapters, change the playback sequence, and amend or delete In and Out points. All of these operations can be carried out easily on this unit.
- Clip lists (editing data) created with the scene selection function can be used on XPRI and other full-feature nonlinear editing systems.

### Clips

Material recorded with this unit is managed in units called clips. A clip contains the material from a recording start point to a recording end point.

Clips have numbers beginning with C, for example C0001.



*You can also assign titles to your clips and use the titles to manage them, instead of the clip numbers. For more information, see "Assigning user-defined clip titles automatically" (page 87).*

## Clip lists

You can use the scene selection function to select clips from the clips saved on a disc and create a cut edit list called a “clip list”.

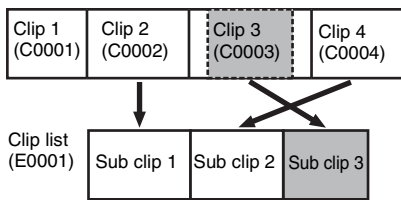
Clip lists have numbers beginning with E, for example E0001. Up to 99 clip lists can be saved on a disc.

## Sub clips (clips in clip lists)

Clips (or parts of clips) that have been added to a clip list are called “sub clips”. Sub clips are virtual editing data that specify ranges in the original clips. You can use them without modifying the original data.

The following figure illustrates the relation between clips and sub clips.

Clips on disc



In the above example, the whole of clip 2 has been added as sub clip 1, and the whole of clip 4 has been added as sub clip 2.

Sub clip 3 is part of clip 3. Therefore, when clip list E0001 is played back, clip 4 is played after clip 2, and then the part of clip 3 shown in gray color is played.

## Clip list editing (current clip list)

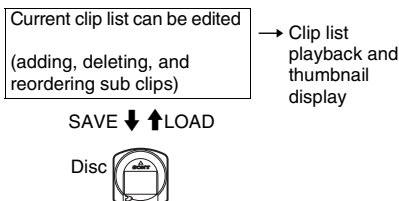
To edit a clip list, you need to load the clip list from the disc into the unit's internal memory.

The clip list which is currently loaded into the unit memory is called the “current clip list”.

The current clip list is always the target of sub clip creation and editing. Clip list playback also uses the current clip list.

After creating and editing a clip list, you need to save it to disc.

Unit memory



C0001 (Clip 1)	E0001 (Clip list 1)
C0002 (Clip 2)	E0002 (Clip list 2)
C0003 (Clip 3)	E0003 (Clip list 3)
⋮	⋮
	E0099 (Clip list 99)

## Clip list playback

Clips and clip lists are saved together on a disc. To play a clip list, insert a disc into the unit, load the clip list that you want to play, and press the PLAY/PAUSE button.

Clips are played according to the data in the clip list.

## Creating and editing clip lists

The following table lists the steps in the creation and editing of clip lists with the scene selection function. To create a clip list, you always need to carry out the steps inside the heavy lines. Other steps can be carried out as required.

1	<p><b>Add sub clips:</b> Use the Add Sub Clips command to add the clips you want to use to a clip list. You can add up to 300 sub clips to one clip list. This operation can be carried out in the following thumbnail screens.</p> <ul style="list-style-type: none"> <li>• Clip thumbnail screen</li> <li>• Expand thumbnail screen</li> <li>• Chapter thumbnail screen</li> <li>• Clip list thumbnail screen</li> </ul>
2	<p><b>Change the sub clip order:</b> Use the Move Sub Clips command to change the order of sub clips in a clip list.</p> <p><b>Delete sub clips:</b> Use the Delete Sub Clips command to delete specified sub clips from a clip list.</p> <p><b>Trim sub clips:</b> Use the Trim Sub Clip command to adjust the In and Out points of a sub clip. This function can also be used to adjust the overall duration of the clip list.</p> <p><b>Set the start timecode:</b> Use the Set Start Time Code command to set the timecode at the start of a clip list.</p>
3	<p><b>Play the clip list:</b> Use the PLAY/PAUSE button and other playback controls to play the current clip list and check its contents.</p>
4	<p><b>Save the clip list:</b> Use the Save Clip List or Save Clip List as... command to save the newly created clip list to the disc.</p>

### To reedit clip lists on the disc

Use the Load Clip List command to load the clip lists you want to edit, and perform the steps **2** to **4** in the previous section.

You can also delete clip lists on the disc.

For details, see “Managing clip lists” (page 119).

#### Note

Clip lists can be created and edited even when the Write Inhibit tab of the disc is set to recording disabled. However, if you need to save the clip list, set Write Inhibit tab to enable recording before you create or edit the clip list.

### To add sub clips

You can add sub clips to clip lists from with the clip thumbnail screen or the clip list thumbnail screen. However, you must use the clip list thumbnail screen to edit clip lists.

### Adding sub clips from the clip thumbnail screen

The following procedure explains operations in the clip thumbnail screen. You can proceed in the same way in the expand thumbnail screen and the chapter thumbnail screen. Expanded blocks are added as sub clips in the expand thumbnail screen, and chapters are added as sub clips in the chapter thumbnail screen.

See page 103 for more information about thumbnail screen operations.

- In the clip thumbnail screen, select the clip that you want to add as a sub clip (multiple selections possible).**
- Display the Thumbnail Menu.**
- Select Add Sub Clips, and then press the SET/S.SEL button or the MENU knob.** The Add Sub Clip screen appears. The clip(s) selected in step 1 appear in the upper part of this screen, and the clip list appears in the lower Scene Selection window. The I cursor in the Scene Selection window indicates the location where the currently selected sub clip(s) will be inserted.



**To display the total duration after addition of the selected clip**  
Press the SHIFT button.

- In the Scene Selection window, move the I cursor to the location where you want to insert the clip. (The existing thumbnails arrange themselves to the left and right of the I cursor.)**
- Press the SET/S.SEL button or the MENU knob.**

The selected clip is inserted as a subclip and a “+” mark appears on the thumbnail in the Scene Selection window.

**To check the addition results**  
Move the cursor.

- 6 Press the RESET/RETURN button.**  
This returns you to the clip thumbnail screen.
- 7 Repeat steps 1 to 6 as required to add more clips.**
- 8 Save the clip list (see page 118).**

In step 1, you can hold down the SHIFT button when you press the SET/S.SEL button. This is a shortcut that displays the Add Sub Clip screen immediately. You can also save the clip list immediately in step 5 by executing the Save Clip List command in the Disc Menu.

#### Adding sub clips from the clip list thumbnail screen

See page 103 for more information about thumbnail screen operations.

- 1 Display the Thumbnail Menu.**
- 2 Select Add Sub Clips, and then press the SET/S.SEL button or the MENU knob.**  
The Clip List (Add) screen appears.



- 3 Select the sub clips that you want to add from the upper part of the screen (the part where 8 thumbnails are displayed, multiple selections possible).**

**To select from expanded thumbnails**  
Press the DISP SEL/EXPAND button to display the expand thumbnail screen.

**To select from chapter thumbnails**  
Press the HOLD/CHAPTER button to display the chapter thumbnail screen.

- 4 Press the SET/S.SEL button or the MENU knob.**  
The thumbnail selection is confirmed, and an I cursor appears at the bottom of the Clip List (Add) screen (in the Scene Selection window). The I cursor indicates the location

where the currently selected sub clips will be inserted.

**To display the total duration after addition of the selected clips**  
Press the SHIFT button.

- 5 In the Scene Selection window, move the I cursor to the location where you want to insert the clip. (The existing thumbnails arrange themselves to the left and right of the I cursor.)**
- 6 Press the SET/S.SEL button or the MENU knob.**  
The sub clips are added at the I cursor position, and you return to the clip list thumbnail screen.  
You can check the results of the addition in that screen.
- 7 Repeat steps 1 to 6 as required to add more clips.**
- 8 Save the clip list (see page 118).**

In step 1, you can also perform a shortcut operation by pressing the SET/S.SEL button with the SHIFT button held down.

#### To reorder sub clips

See page 103 for more information about thumbnail screen operations.

- 1 In the clip list thumbnail screen, select the thumbnails of the sub clips that you want to move (multiple selections possible).**
- 2 Display the Thumbnail Menu.**
- 3 Select Move Sub Clips, and then press the SET/S.SEL button or the MENU knob.**  
The Clip List (Move) screen appears.



- 4 **Move the I cursor to the point where you want to move the selected thumbnails.**
- 5 **Press the SET/S.SEL button or the MENU knob.**  
The sub clips are moved to the I cursor position.
- 6 **Repeat steps 1 to 5 as required.**
- 7 **Save the clip list (see page 118).**

---

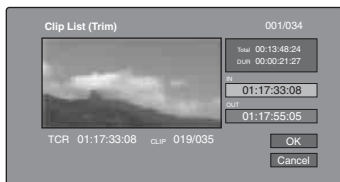
### To adjust the In and Out points of sub clips (trim)

---

Proceed as follows to define the range of a scene by changing the positions of the In and Out points.

See page 103 for more information about thumbnail screen operations.

- 1 **In the clip list thumbnail screen, select a thumbnail.**
- 2 **Display the Thumbnail Menu.**
- 3 **Select Trim Sub Clip, and then press the SET/S.SEL button or the MENU knob.**  
The Clip List (Trim) screen appears.



Like the clip playback screen, this screen allows you to play and search all clips on the disc.

**To display a list of In and Out point operations that you can perform**  
Press the MENU button.

- 4 **When you find the point that you want to make the start point, select “IN” and then press the SET/S.SEL button or the MENU knob.**  
The timecode of the new In point appears in the timecode display, and the Total (total duration) and DUR (clip duration) displays are updated.
- 5 **When you find the point that you want to make the end point, select “OUT” and then press the SET/S.SEL button or the MENU knob.**  
The timecode of the new Out point appears in the timecode display, and the Total (total duration) and DUR (clip duration) displays are updated.
- To cue up the In point or Out point**  
Display the Thumbnail Menu, select Cue up Inpoint or Cue up Outpoint, and then press the SET/S.SEL button or the MENU knob.
- To cancel the In point or Out point setting**  
Display the Thumbnail Menu, select Reset Inpoint or Reset Outpoint, and then press the SET/S.SEL button or the MENU knob.  
The In point or Out point setting returns to the previous value.
- 6 **Select OK, and then press the SET/S.SEL button or the MENU knob.**
- 7 **Repeat steps 1 to 6 as required.**
- 8 **Save the clip list (see page 118).**

---

### To delete sub clips

---

See page 103 for more information about thumbnail screen operations.

- 1 **Select the clips to delete in the clip list thumbnail screen (multiple selections possible).**
- 2 **Display the Thumbnail Menu.**
- 3 **Select Delete Sub Clips, and then press the SET/S.SEL button or the MENU knob.**  
A message appears asking you to confirm the deletion.
- 4 **Select OK, and then press the SET/S.SEL button or the MENU knob.**
- 5 **Repeat steps 1 to 4 as required.**
- 6 **Save the clip list (see page 118).**

---

## To play the clip list

See page 103 for more information about GUI screen operations.

### To play using GUI screens

- 1 In the clip list thumbnail screen, select the thumbnail of the sub clip where you want to start play.**

**To start play from the start of the clip list**  
Select the thumbnail of the first sub clip.

- 2 Press the PLAY/PAUSE button.**

### To play using the clip list playback screen

- 1 Display the clip list playback screen.**
- 2 Press the PREV button or the NEXT button to display the sub clip that you want to play.**

**To start play from the first sub clip**  
Press the SHIFT + PREV buttons to move to the start of the clip list.

- 3 Press the PLAY/PAUSE button.**

---

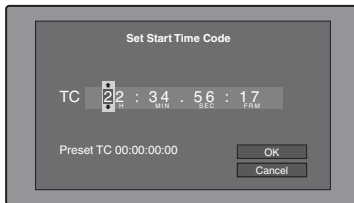
## To change the starting timecode of clip lists

The timecode of clip lists is continuous timecode, unrelated to the timecode of the original clips. By default the timecode (LTC) of the start of the clip list is 00:00:00:00, but it can be set to any value.

See page 103 for more information about thumbnail screen operations.

- 1 In the clip list thumbnail screen, display the Thumbnail Menu.**
- 2 Select Set Start Time Code, and then press the SET/S.SEL button or the MENU knob.**

The Set Start Time Code screen appears.



- 3 Press the left- or right-arrow button to select the digit that you want to change.**

- 4 Turn the MENU knob to change the value of the digit.**

- 5 Repeat steps 3 and 4 as required.**

**To reset the timecode to 00:00:00:00**  
Select Reset to Zero in the Thumbnail Menu, and then press the SET/S.SEL button or the MENU knob.

**To preset the frequently used timecode**  
Select Save Preset TC in the Thumbnail Menu, and then press the SET/S.SEL button or the MENU knob.

The timecode set in steps **3** and **4** is saved as a preset value.

**To recall the preset timecode**  
Select Recall Preset TC in the Thumbnail Menu, and then press the SET/S.SEL button or the MENU knob.

- 6 Press the SET/S.SEL button or the MENU knob.**

OK is selected.

- 7 Press the SET/S.SEL button or the MENU knob again.**

- 8 Save the clip list (see page 118).**

---

## To save clip lists

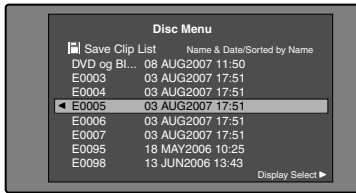
### To save under a specified name

See page 103 for more information about thumbnail screen operations.

- 1 In the clip list thumbnail screen, display the Disc Menu.**

- 2 Select Save Clip List as..., and then press the SET/S.SEL button or the MENU knob.**

A list of clip lists appears.



### To switch the information displayed for clip lists

Press the right-arrow button.

With each press, the display changes in the order: “Name & Date” → “Name & Title” → “Name & Short Date” →...

### To sort clip lists

Select one of the following orders by selecting Settings > Sort Clip List By... in the Disc Menu.

**Name(A-Z):** Sort in ascending order by clip list name.

**Date(Newest First):** Sort by date and time of clip list creation, newest first.

- 3 Select the desired clip list name, and then press the SET/S.SEL button or the MENU knob.

### To save under the same name

The following procedure saves the current clip list under its current name (the name that appears in the clip list thumbnail screen).

See page 103 for more information about thumbnail screen operations.

- 1 In the clip list thumbnail screen, display the Disc Menu (see page 103).
- 2 Select Save Clip List, and then press the SET/S.SEL button or the MENU knob. The clip list is saved. However, Save Clip List as... is executed when the name displayed in the clip list thumbnail screen is “no name”.

#### Note

If you press the EJECT button before saving a new or edited clip list, a message appears asking if you want to discard your changes and continue. Follow the instructions in the message to continue or cancel the operation.

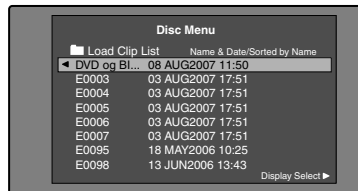
## Managing clip lists

### To load clip lists

The following procedure loads a clip list stored on the disc into the unit's internal memory as the current clip list.

See page 103 for more information about thumbnail screen operations.

- 1 In the clip list thumbnail screen, display the Disc Menu.
- 2 Select Load Clip List, and then press the SET/S.SEL button or the MENU knob. A list of clip lists stored on the disc appears.



- 3 Select the desired clip list, and then press the SET/S.SEL button or the MENU knob.

The name of the clip list selected here appears in the clip list thumbnail screen. When you execute the Save Clip List command in the Disc Menu, the clip list will be saved under that name.

### To create a new clip list

Select New File and then press the SET/S.SEL button or the MENU knob.

### To clear clip lists

The following procedure clears the current clip list from the unit's internal memory.

See page 103 for more information about thumbnail screen operations.

- 1 In the clip list thumbnail screen, display the Disc Menu.
- 2 Select Clear Clip List, and then press the SET/S.SEL button or the MENU knob. A message appears asking you to confirm that you want to clear the clip list.

- 3 Select OK, and then press the SET/S.SEL button or the MENU knob.**  
The current clip list returns to the unnamed state “(no name)”.

---

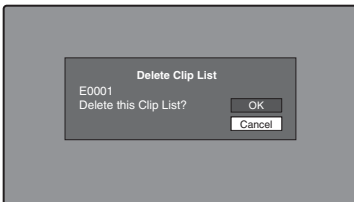
### To delete clip lists

---

The following procedure deletes a clip list from the disc.

See page 103 for more information about thumbnail screen operations.

- 1 In the clip list thumbnail screen, display the Disc Menu.**
- 2 Select Delete Clip List, and then press the SET/S.SEL button or the MENU knob.**  
A list of clip lists appears.
- 3 Select the clip list that you want to delete, and then press the SET/S.SEL button or the MENU knob.**  
A message appears asking you to confirm the deletion.



- 4 Select OK, and then press the SET/S.SEL button or the MENU knob.**

---

### To sort clip lists

---

See page 103 for more information about thumbnail screen operations.

- 1 In the clip list thumbnail screen, display the Disc Menu.**
- 2 Select Settings, and then press the SET/S.SEL button or the MENU knob.**
- 3 Select Sort Clip List by..., and then press the SET/S.SEL button or the MENU knob.**

- 4 Select one of the following sort methods, and then press the SET/S.SEL button or the MENU knob.**

**Name(A-Z):** Sort in ascending order by clip list name.

**Date(Newest First):** Sort by date and time of clip list creation, newest first.

Clip lists will be displayed in the specified order the next time that you carry out an operation such as loading a clip list.



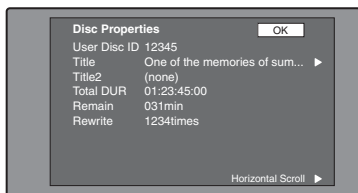
# Disc Operations

## Checking disc properties

See page 103 for more information about GUI screen operations.

- 1 **Display the Disc Menu.**
- 2 **Select Disc Properties, and then press the SET/S.SEL button or the MENU knob.**

The Disc Properties screen appears.



**User Disc ID:** User disc ID <sup>1), 2)</sup>

**Title:** Title <sup>1)</sup>

**Title2:** Title2 <sup>1), 2)</sup>

**Total DUR:** Total recording time

**Remain:** Remaining recording time

**Rewrite:** Number of times rewritten

1) This can be specified with the supplied PDZ-1 Proxy Browsing Software contained on the CD-ROM (XDCAM Application Software).

2) Titles can be displayed in European languages when the area of use (see page 40) is set to “NTSC AREA” or “PAL AREA”.

**To scroll hidden parts of the string into view**

When a ► or ◀ mark is displayed for an item, you can press the left or right arrow button to scroll the display by one character for each press.

The up and down arrow buttons scroll the beginning and end of the string into view.

**To return to the previous screen**

Press the SET/S.SEL button or the MENU knob.

## To edit disc information

You can edit the user disc ID, title <sup>1)</sup>, and title 2 by using a software keyboard.

1) Only ASCII characters can be used for the title.

See “To edit clip information” (page 109) for information about operations.

## Using planning metadata

Planning metadata is a file that contains metadata about the clips to be shot and recorded.

To use planning metadata, you will need to save a file in advance in the specified location of a media, and insert the media into this unit.

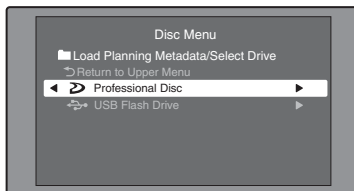
For details, see “To set clip names by using planning metadata” (page 92).

## To load planning metadata files

See page 103 for more information about GUI screen operations.

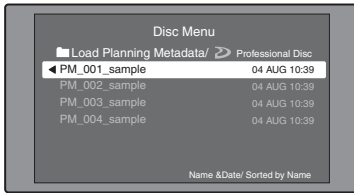
- 1 **Display the Disc Menu.**
- 2 **Select “Load Planning Metadata/Select Drive”, and then press the SET/S.SEL button or the MENU knob.**

A media selection screen appears.



- 3 **Select the media where your planning metadata file is stored, and then press the SET/S.SEL button or the MENU knob.**

A list of the planning metadata files stored on the media appears.



**4 Select the desired planning metadata file, and then press the SET/S.SEL button or the MENU knob.**

The selected planning metadata file is loaded into the unit's memory, and the Planning Metadata Properties screen appears.

**5 Check the information that appears, and press the SET/S.SEL button or the MENU knob.**

---

### To sort planning metadata

You can sort planning metadata by operating in the same way as in "To sort clip lists" (page 120). However, in step 3, select "Sort Planning Metadata by...".

The planning metadata will be displayed in the specified order the next time you load planning metadata.

---

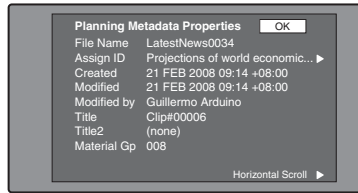
### To check planning metadata properties

You can check the properties of the planning metadata that is loaded into this unit's memory, including the date and time of creation and the clip titles.

See page 103 for more information about GUI screen operations.

- 1 Display the Disc Menu.**
- 2 Select "Planning Metadata Properties", and then press the SET/S.SEL button or the MENU knob.**

The Planning Metadata Properties screen appears.



**File Name:** Planning metadata file name

**Assign ID:** Assign ID

**Created:** Date and time of creation

**Modified:** Date and time of most recent modification

**Modified by:** Name of person who modified the file

**Title:** Title <sup>1)</sup>

**Title2:** Title 2

**Material Gp:** Material group name

<sup>1)</sup> This can be set as the clip name (see page 92).

### To scroll hidden parts of the string into view

When a ► or ◀ mark is displayed for an item, you can press the left or right arrow button to scroll the display by one character for each press.

The up and down arrow buttons scroll the beginning and end of the string into view.

### To return to the previous screen

Press the SET/S.SEL button or the MENU knob.

---

### To clear planning metadata

See page 103 for more information about GUI screen operations.

- 1 Display the Disc Menu.**
- 2 Select "Clear Planning Metadata", and then press the SET/S.SEL button or the MENU knob.**  
A message appears asking you to confirm that you want to clear the planning metadata.
- 3 Select "OK", and then press the SET/S.SEL button or the MENU knob.**  
The planning metadata is cleared from this unit's memory.

## To switch the title display in the viewfinder

When planning metadata is loaded into this unit, you can select the format of the title to display in the viewfinder.

See page 103 for more information about GUI screen operations.

- 1 **Display the Disc Menu.**
- 2 **Select “Settings”, and then press the SET/S.SEL button or the MENU knob.**

- 3 **Select “Planning Clip Name in Clip Info. Area”, and then press the SET/S.SEL button or the MENU knob.**

See page 32 for more information about the Clip Info. Area.

- 4 **Select one of the following, and then press the SET/S.SEL button or the MENU knob.**

**Off:** Do not display a title.

**ASCII Clip Name:** Display the ASCII format title (see page 92).

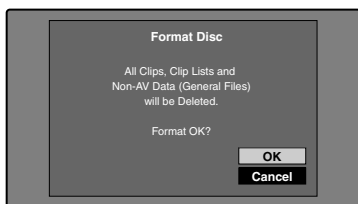
**Clip Name:** Display the UTF-8 format title (see page 92).

## Formatting discs

See page 103 for more information about GUI screen operations.

- 1 **Display the Disc Menu.**
- 2 **Select Format Disc, and then press the SET/S.SEL button or the MENU knob.**

A message appears asking you to confirm the format.



- 3 **Select OK, and then press the SET/S.SEL button or the MENU knob.**

### To cancel the format

Select Cancel, and then press the SET/S.SEL button or the MENU knob.

### To continue by formatting another disc

Exchange the disc, select OK, and then press the SET/S.SEL button or the MENU knob.

### To exit the formatting screen

Press the SET/S.SEL button or the MENU knob with Exit selected.

## To disable the Format Disc command

To prevent inadvertent disc formatting, resulting in the loss of recorded data, you can disable the Format Disc command.

See page 103 for more information about GUI screen operations.

- 1 **Display the Disc Menu.**
- 2 **Select “Settings”, and then press the SET/S.SEL button or the MENU knob.**
- 3 **Select “Disable “Format Disc”, and then press the SET/S.SEL button or the MENU knob.**
- 4 **Select “Disable”, and then press the SET/S.SEL button or the MENU knob.**

# Shortcut List

You can access many functions from the keyboard, without displaying a menu (shortcut operations).

Shortcuts are available for the following functions. The plus sign (+) indicates that one

button is held down while another is pressed, for example “SHIFT + RESET/RETURN”.

## Note

The same shortcut may access different functions, depending on the screen that is active when it is executed.

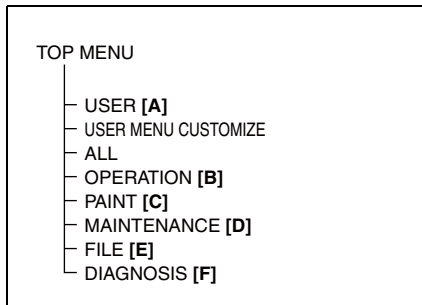
Function	Operation
Clip List Thumbnail (display clip list thumbnail screen)	SUB CLIP/DISC MENU
Expand Thumbnail (display expand thumbnail screen)	DISP SEL/EXPAND
Chapter Thumbnail (display chapter thumbnail screen)	HOLD/CHAPTER
Essence Mark Thumbnail (display essence mark thumbnail screen)	SHIFT + THUMBNAIL/ESSENCE MARK
Add Sub Clip (add sub clip)	SHIFT + SET/S.SEL
Delete Clip (delete clip)	SHIFT + RESET/RETURN
Lock/Unlock Clip (lock or unlock clip)	SHIFT + STOP
Set Inpoint (set In point)	Left-arrow + SET/S.SEL
Set Outpoint (set Out point)	Right-arrow + SET/S.SEL
Cue up Inpoint (cue up In point)	Left-arrow + PREV or left-arrow + NEXT
Cue up Outpoint (cue up Out point)	Right-arrow + PREV or right-arrow + NEXT
Reset Inpoint (reset In point)	Left-arrow + RESET/RETURN
Reset Outpoint (reset Out point)	Right-arrow + RESET/RETURN
Cue up (cue up)	SET/S.SEL <sup>a)</sup>
Cue up & Play (cue up and play)	PLAY/PAUSE <sup>b)</sup>
Page Down (switch to next page)	SHIFT + down-arrow or F FWD
Page Up (switch to previous page)	SHIFT + up-arrow or F REV
Go To End (go to the last item)	SHIFT + NEXT
Go To Top (go to the first item)	SHIFT + PREV
Select Multi Clip (select multiple clips)	SHIFT + right-arrow or SHIFT + left-arrow
Exit (exit the current thumbnail screen)	THUMBNAIL/ESSENCE MARK

a) If Settings >SET Key on Thumbnail in the Disc Menu is set to “Cue up & Play”, then play starts as soon as cueup is ready.

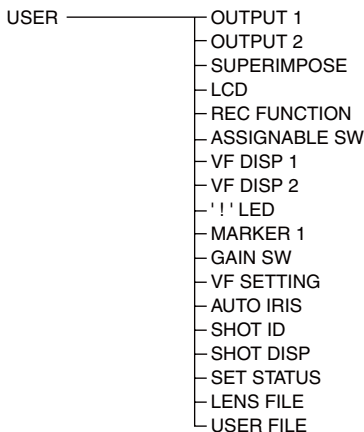
b) If Settings >SET Key on Thumbnail in the Disc Menu is set to “Cue up & Play”, then pressing the SET/ S.SEL button has the same effect.

## Menu Organization

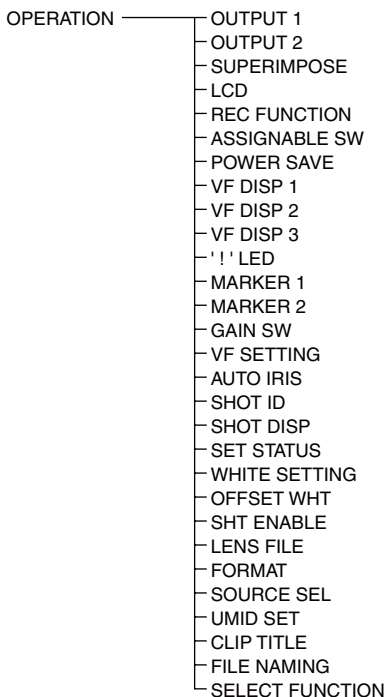
The following chart shows the organization of menus in this camcorder.



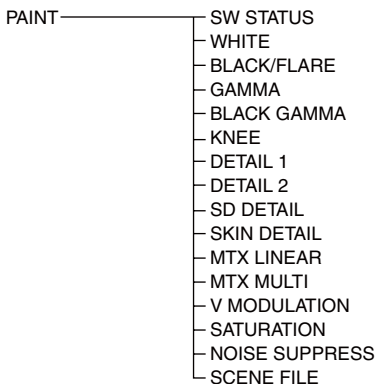
### [A] USER menu



### [B] OPERATION menu



### [C] PAINT menu



## [D] MAINTENANCE menu

MAINTENANCE	WHITE SHADING
	BLACK SHADING
	LEVEL ADJUST
	BATTERY 1
	BATTERY 2
	AUDIO-1
	AUDIO-2
	AUDIO-3
	WRR SETTING
	TIMECODE
	ESSENCE MARK
	CAM CONFIG 1
	CAM CONFIG 2
	PRESET WHITE
	WHITE FILTER
	DCC ADJUST
	AUTO IRIS 2
	GENLOCK
	ND COMP
	AUTO SHADING
	APR
	NETWORK
	UP CONVERTER

## [E] FILE menu

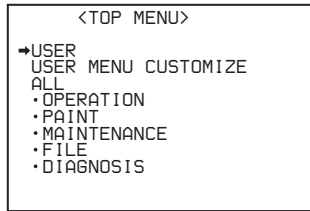
FILE	USER FILE
	USER FILE 2
	ALL FILE
	SCENE FILE
	REFERENCE
	LENS FILE 1
	LENS FILE 2
	LENS FILE 3
	MEMORY STICK

## [F] DIAGNOSIS menu

DIAGNOSIS	HOURS METER
	TIME/DATE
	ROM VERSION 1
	ROM VERSION 2
	ROM VERSION 3
	DEV STATUS
	OPTION

## TOP menu and top-level menus

The TOP menu appears when, with no menu displayed, you hold down the MENU knob and set the MENU ON/OFF switch to ON. The TOP menu contains only top-level menus.



When you select a top-level menu, the most recently shown page of that menu appears. The CONTENTS page appears when the menu is selected for the first time.

*For details about how to use menus, see page 163.*

## USER menu

This menu allows you to add any desired page from the OPERATION, PAINT, MAINTENANCE, FILE, and DIAGNOSIS menus to suit your needs. By gathering frequently used pages on the USER menu beforehand, you can call up them quickly whenever you need them.

This menu is normally displayed when the MENU ON/OFF switch is set to ON.

## USER MENU CUSTOMIZE menu

This menu allows you to add pages to or delete pages from the USER menu to suit your needs.

## ALL menu

This menu allows you to handle all items in the OPERATION, PAINT, MAINTENANCE, FILE, and DIAGNOSIS menus as if they were in one menu.

## OPERATION menu

This menu contains items for changing settings according to conditions related to the subject when the camcorder is being operated.

## PAINT menu

This menu contains items for making detailed image adjustments while using a waveform monitor to monitor the waveforms output by the camera. Support of a video engineer is usually required to use this menu. Although you can also use an external remote control unit to set the items on this menu, this menu is effective when using the camcorder by itself outdoors.

---

## MAINTENANCE menu

---

This menu contains items for making settings for audio, timecode, essence marks, and battery.

---

## FILE menu

---

This menu is for saving the adjusted data in the camcorder memory or in a “Memory Stick”. The following files can be saved.

### User files

User files save the setting items and setting data of customized USER menus. You can save up to 100 user files in a “Memory Stick”. Once you save a user file in a “Memory Stick”, you can easily set the USER menu to your preference by loading the file.

*For details on user files, see “Saving and Recalling User Files” on page 186.*

### ALL files

ALL files save the setting data of all of the menus. You can save up to 100 ALL files in a “Memory Stick”.

Once a camcorder is set up according to your preferences and you save an ALL file in a “Memory Stick”, you can easily set other camcorders to those settings by loading the data from the “Memory Stick”.

### Note

Device specific data (output levels and shading that requires adjustment for the specific device) is not saved.

### Scene files

In the scene file, the setting values of PAINT menu items set to shoot a particular scene are saved. You can save up to five scene files in the camcorder memory and up to 100 scene files in a “Memory Stick”. For example, first adjust the settings to shoot a rehearsal of a particular scene and then save them as a scene file. Then load that file before the actual shooting so that you can quickly recreate setup conditions of the rehearsal.

### Reference files

Reference files save the reference values that are set when STANDARD is executed in the SCENE FILE page of the PAINT menu. You can save one reference file in the internal memory of the unit and one in a “Memory Stick”.

### Lens files

Lens files save the setting data used to compensate for the characteristics of lenses, such

as flare, white shading, and auto iris gain. You can save up to 32 lens files in the internal memory of the unit and up to 100 lens files in a “Memory Stick”.

---

## DIAGNOSIS menu

---

This menu shows the digital hours meter, the ROM version, and information about the internal device status of the camcorder.

# Menu List

## Tips

- The bold-faced numbers designate the pages that have been registered in the USER menu at the factory.
- The following lists include items and settings that appear only when an option board or separately sold software is installed.
- The bold-faced settings are the factory default settings.
- The initial value of items with a setting range of -99 to 99 is 0.
- When the setup value in the Settings column is surrounded by parentheses ( ), the value is a relative value. The setting range shown on the menu screen may differ from what is shown in the manual.

## OPERATION menu

No.	Page	Item	Settings	Description
<b>01</b>	OUTPUT 1	SDI OUT 1 SELECT	<b>OFF</b> /HDSDI/SDSDI	Selects the output signal from the SDI OUT 1 connector.
		SDI OUT 2 SELECT	<b>OFF</b> /HDSDI/SDSDI	Selects the output signal from the SDI OUT 2 connector.
		SDI OUT 2 SUPER	<b>OFF</b> /ON	Sets the superimposed information output from the SDI OUT 2 connector.
		TEST OUT SELECT	<b>VBS</b> /Y/R/G/B/LCD	Selects the output signal from the TEST OUT connector.
		TEST OUT SUPER	<b>OFF</b> /ON	Sets the superimposed information output from the TEST OUT connector.

### Note

When R, G, or B is selected, turning the power of the unit off and on changes the setting to Y.

### Notes

- Regardless of this setting, text data is output from this connector when the setting of TEST OUT SELECT is Y, R, G, or B. During the display of text data, you can hide the text data by switching this item from ON to OFF. (It is also hidden in the viewfinder.)
- When TEST OUT SELECT is set to LCD, the mode selected with the DISP SEL/EXPAND button determines whether text is displayed or hidden.



No.	Page	Item	Settings	Description
02	OUTPUT 2	LIVE & PLAY	OFF/ON	<i>For details, see “To display camera video in the viewfinder during playback (Live &amp; Play function)” on page 78.</i>
		DOWN CON MODE	CROP/LETTR/SQEZE (LETTR is displayed when the LETTER BOX item on the SELECT FUNCTION page is set to “ENABL”.)	Sets the conversion mode for down-converted output.
		WIDE ID	THROU/AUTO	Specifies whether to add wide picture information to the SD output signal. <b>THROU:</b> Output the video signals without adding wide picture information. <b>AUTO:</b> When the DOWN CON MODE item is set to SQEZE, add wide picture information to the output video signals.
03	SUPER IMPOSE	SUPER(VFDISP)	OFF/ON	When the SDI OUT 2 SUPER item or the TEST OUT SUPER item on the OUTPUT 1 page is set to ON, turn the output of text (superimposed) information from the SDI OUT 2 or TEST OUT connector on or off for each item.
		SUPER(MENU)	OFF/ON	
		SUPER(TC)	OFF/ON	
		SUPER(MARKER)	OFF/ON	When the TEST OUT SUPER item on the OUTPUT 1 page is set to ON, turns the marker display output from the TEST OUT connector on or off.
04	LCD	LCD COLOR	(-99 to 99)	Adjusts the LCD color.
		LCD MARKER&ZEBRA	OFF/ON	Turns the marker and zebra display in the LCD monitor on or off.

No.	Page	Item	Settings	Description			
05	REC FUNCTION	CACHE/INTVAL REC	<b>OFF</b> /CACHE/A. INT/ M. INT	<i>For details, see “Starting a shoot with a few seconds of pre-stored picture data (Picture Cache function)” on page 81 and “Time-lapse video (Interval Rec function)” on page 82.</i>			
		CACHE REC TIME	<b>0-2S</b> /2-4S/4-6S/6-8S/8-10S/18-20S/28-30S				
		TAKE TOTAL TIME	<b>5MIN</b> /10MIN/15MIN/ 20MIN/30MIN/40MIN/ 50MIN/1H/2H/3H/4H/ 5H/7H/10H/15H/20H/ 30H/40H/50H/70H/ 100H				
		REC TIME	<b>5SEC</b> /10SEC/15SEC/ 20SEC/30SEC/40SEC/ 50SEC/1MIN to 85MIN				
		PRE-LIGHTING	<b>OFF</b> /2SEC/5SEC/ 10SEC				
		NUMBER OF FRAME	When SYSTEM LINE is set to 720 and REC FORMAT is set to HD422 50, HD420 HQ, or HD420 SP: 2/6/12  When either SYSTEM LINE or REC FORMAT is set to another setting: 1/3/ 6				
		TRIGGER INTERVAL	<b>M</b> /1SEC to 10SEC/ 15SEC/20SEC/30SEC/ 40SEC/50SEC/1MIN to 10MIN/15MIN/20MIN/ 30MIN/40MIN/50MIN/ 1H/2H/3H/4H/6H/12H/ 24H				
		DISC EXCHG CACHE	<b>OFF</b> /ON				
		06	ASSIGNABLE SW		ASSIGN SW <1>		<i>For details, see “Assigning functions to ASSIGN switches” on page 178.</i>
					ASSIGN SW <2>		
ASSIGN SW <3>							
ASSIGN SW <4>							
ASSIGN SW <RET>							
COLOR TEMP SW							
ZOOM SPEED	0 to <b>20</b> to 99						
RETURN VIDEO	<b>OFF</b> /ON						
07	POWER SAVE	ETHERNET/USB	<b>DSABL</b> /ENABL	<i>For details, see “Setting power saving functions” on page 181.</i>			
		i.LINK(FAM)	<b>DSABL</b> /ENABL				
		REC AUDIO OUT	<b>EE</b> /SAVE				
		TEST OUT SAVE	OFF/ <b>ON</b>				

No.	Page	Item	Settings	Description
08	VF DISP 1	VF DISP	OFF/ON	<i>For details, see "Selecting the display items" on page 171.</i>
		VF DISP MODE	1/2/3	
		DISP EXTENDER	OFF/ON	
		DISP FILTER	OFF/ON	
		DISP WHITE	OFF/ON	
		DISP GAIN	OFF/ON	
		DISP SHUTTER	OFF/ON	
		DISP AUDIO	OFF/ON	
		DISP DISC	OFF/ON	
		DISP IRIS	OFF/ON	
09	VF DISP 2	DISP ZOOM	OFF/ON	
		DISP COLOR TEMP	OFF/ON	
		DISP BATT REMAIN	INT/VOLT/AUTO	
		DISP DC IN	OFF/ON	
		DISP 16:9/4:3 ID (When the CBKZ-MD01 is installed)	OFF/ON	
		DISP WRR RF LVL	OFF/ON	
		DISP REC FORMAT	OFF/ON	
		DISP CLIP NO(PB)	OFF/ON	
		DISP TIMECODE	OFF/ON	
10	VF DISP 3	LOW LIGHT	OFF/ON	
		LOW LIGHT LEVEL	(-99 to 99)	
		VF BATT WARNING	10%/20%	
		ABSOLUTE VALUE	OFF/ON	
11	'!' LED	GAIN <!>	OFF/ON	<i>For details, see "Indicators" on page 31.</i>
		SHUTTER <!>	OFF/ON	
		WHT PRESET <!>	OFF/ON	
		ATW RUN <!>	OFF/ON	
		EXTENDER <!>	OFF/ON	
		FILTER <!>	OFF/ON	
		OVERRIDE <!>	OFF/ON	

No.	Page	Item	Settings	Description
12	MARKER 1	MARKER	OFF/ON	<i>For details, see "Setting the marker display" on page 173.</i>
		CENTER	<b>OFF</b> /ON	
		CENTER MARK	1/2/3/4	
		SAFTY ZONE	<b>OFF</b> /ON	
		SAFTY AREA	80%/ <b>90%</b> /92.5%/95%	
		ASPECT	<b>OFF</b> /ON	
		ASPECT SELECT	15:9/14:9/13:9/ <b>4:3</b> /1.85/2.35	
		ASPECT MASK	OFF/ON	
		ASPECT MASK LVL	0 to <b>12</b> to 15	
		100% MARKER	<b>OFF</b> /ON	
13	MARKER 2	USER BOX	<b>OFF</b> /ON	
		USER BOX WIDTH	3 to <b>240</b> to 479	
		USER BOX HEIGHT	3 to <b>135</b> to 269	
		USER BOX H POS	-477 to <b>0</b> to 476	
		USER BOX V POS	-267 to <b>0</b> to 266	
		CENTER H POS	-480 to <b>0</b> to 479	
		CENTER V POS	-270 to <b>0</b> to 269	
		ASPECT SAFE ZONE	<b>OFF</b> /ON	
		ASPECT SAFE AREA	80%/ <b>90%</b> /92.5%/95%	
		14	GAIN SW	
GAIN MID	-6dB/-3dB/0dB/3dB/ <b>6dB</b> /9dB/12dB/18dB/24dB/30dB/36dB/42dB			
GAIN HIGH	-6dB/-3dB/0dB/3dB/6dB/9dB/ <b>12dB</b> /18dB/24dB/30dB/36dB/42dB			
GAIN TURBO	-6dB/-3dB/0dB/3dB/6dB/9dB/12dB/18dB/24dB/30dB/36dB/ <b>42dB</b>			
TURBO SW IND	<b>OFF</b> /ON			
SHOCKLESS GAIN (Does not appear when the SCAN MODE item on the FORMAT page is set to 23.9P.)	<b>OFF</b> /ON			

No.	Page	Item	Settings	Description
15	VF SETTING	ZEBRA	OFF/ON	<i>For details, see "Setting the viewfinder" on page 174.</i>
		ZEBRA SELECT	1/2/BOTH	
		ZEBRA1 DET LVL	20% to <b>70%</b> to 107%	
		ZEBRA1 APT LVL	1% to <b>10%</b> to 20%	
		ZEBRA2 DET LVL	52% to <b>100%</b> to 109%	
		VF DETAIL LEVEL	(-99 to 99)	
		VF ASPECT (SD) (When the REC FORMAT item is set to IMX50, IMX40, IMX30, or DVCAM)	<b>AUTO</b> /16:9	
16	AUTO IRIS	IRIS OVERRIDE	OFF/ON	<i>For details, see "Changing the Reference Value for Automatic Iris Adjustment" on page 63.</i>
		IRIS SPEED	(-99 to 99)	
		CLIP HIGH LIGHT	OFF/ON	
		IRIS WINDOW	1/2/3/4/5/6/VAR	
		IRIS WINDOW IND	OFF/ON	
		IRIS VAR WIDTH	20 to <b>240</b> to 479	
		IRIS VAR HEIGHT	20 to <b>135</b> to 269	
		IRIS VAR H POS	-460 to <b>0</b> to 459	
IRIS VAR V POS	-250 to <b>0</b> to 249			
17	SHOT ID	ID-1	<b>Blank</b> /up to 12 characters	<i>For details, see "Setting the shot ID" on page 175.</i>
		ID-2	<b>Blank</b> /up to 12 characters	
		ID-3	<b>Blank</b> /up to 12 characters	
		ID-4	<b>Blank</b> /up to 12 characters	
18	SHOT DISP	SHOT DATE	OFF/ON	<i>For details, see "Recording shot data superimposed on the color bars" on page 174.</i>
		SHOT TIME	OFF/ON	
		SHOT MODEL NAME	OFF/ON	
		SHOT SERIAL NO	OFF/ON	
		SHOT ID SEL	OFF/ID-1/ID-2/ID-3/ ID-4	
		SHOT 16:9 CHARA	OFF/ON	
SHOT BLINK CHARA	OFF/ON			
19	SET STATUS	STATUS ABNORMAL	OFF/ON	<i>For details, see "Displaying the status confirmation screens" on page 176.</i>
		STATUS SYSTEM	OFF/ON	
		STATUS FUNCTION	OFF/ON	
		STATUS AUDIO	OFF/ON	

No.	Page	Item	Settings	Description	
20	WHITE SETTING	WHITE SWITCH <B>	MEM/ATW	Specifies the operating mode when the WHITE BAL switch is set to the B side. <b>MEM:</b> Auto white balance <b>ATW:</b> Auto tracing white balance	
		SHOCKLESS WHITE	OFF/1/2/3	Specifies the transition time when the WHITE BAL switch is changed to a new setting (1 is fastest)	
		ATW SPEED	1/2/3/4/5	Switches the transition speed of auto tracing white balance (ATW) (1 is fastest)	
		AWB FIXED AREA	OFF/ON	Executes AWB (auto white balance) at the center of the screen.	
		FILTER WHT MEM	OFF/ON	Specifies whether to allocate a white balance memory slot for each position number of the FILTER selector.	
21	OFFSET WHT	OFFSET WHITE <A>	OFF/ON	<i>For details, see "Specifying an offset for the auto white balance setting" on page 182.</i>	
		WARM-COOL <A>	Displays reference color temperature		
		WARM-COOL BAL <A>	(-99 to 99)		
		OFFSET WHITE <B>	OFF/ON		
		WARM-COOL <B>	Displays reference color temperature		
		WARM-COOL BAL <B>	(-99 to 99)		
22	SHT ENABLE	SHUTTER ECS	OFF/ON	<i>The items which can be set differ depending on the setting of the SYSTEM FREQUENCY item on the FORMAT page. For details, see "Setting the Electronic Shutter" on page 60.</i>	
		SHUTTER SLS	OFF/ON		
		SHUTTER 1/32	OFF/ON		
		SHUTTER 1/33	OFF/ON		
		SHUTTER 1/40	OFF/ON		
		SHUTTER 1/48	OFF/ON		
		SHUTTER 1/50	OFF/ON		When SCAN MODE is set to 23.9P, more shutter speeds can be selected and the SHT ENABLE 2 page appears to display them.
		SHUTTER 1/60	OFF/ON		
		SHUTTER 1/96	OFF/ON		
		SHUTTER 1/100	OFF/ON		
		SHUTTER 1/120	OFF/ON		
		SHUTTER 1/125	OFF/ON		
		SHUTTER 1/250	OFF/ON		
		SHUTTER 1/500	OFF/ON		
		SHUTTER 1/1000	OFF/ON		
SHUTTER 1/2000	OFF/ON				

No.	Page	Item	Settings	Description	
23	LENS FILE	LENS FILE SELECT	1 to 32	<i>For details, see “Selecting the lens file” on page 182.</i>	
		F.ID	Display only		
		L.ID	Display only		
		L.MF	Display only		
24	FORMAT	SYSTEM LINE	<b>1080/720</b>	<i>The selectable SYSTEM FREQUENCY settings differ depending on the setting of SYSTEM LINE. For details, see “Setting the Recording Format” (page 54).</i>	
		SYSTEM FREQUENCY	59.9i/29.9P/50i/25P/ 59.9P/50P		
		SCAN MODE (Only when SYSTEM LINE is set to 720, and SYSTEM FREQUENCY is set to 59.9P.)	<b>59.9P/23.9P</b>		
		REC FORMAT	<b>HD422 50/HD420 HQ/</b> HD420 SP/IMX50/ IMX40/IMX30/ DVCAM (IMX50, IMX40, IMX30, and DVCAM are displayed when the CBKZ-MD01 is installed.)		
		ASPECT RATIO (SD) (When the REC FORMAT item is set to IMX50, IMX40, IMX30, or DVCAM)	<b>16:9/4:3</b>		<i>The selectable settings differ depending on the setting of REC FORMAT. For details, see “Setting the Recording Format” (page 54).</i>
		AU DATA LEN (IMX) (When the REC FORMAT item is set to IMX50, IMX40, or IMX30)	<b>16bit/24bit</b>		
		COUNTRY	NTSC(J)AREA/NTSC AREA/PAL AREA		<i>For details, see “Setting the Area of Use” on page 40.</i>

No.	Page	Item	Settings	Description
25	SOURCE SEL	FRONT MIC SELECT (When stereo microphone is connected)	MONO/ <b>STREO</b>	Input mode selection for front microphone.
		REC VIDEO SOURCE (When the CBK-HD01 or CBK-SC02 option board is installed)	<b>CAM/EXT</b>	<i>For details, see "Recording video from external devices" (page 93).</i>
		EXT VIDEO SOURCE (When the CBK-HD01 or CBK-SC02 option board is installed)	<b>VBS/SDSDI/HDSDI</b> (VBS is displayed when the CBK-SC02 is installed. SDDSI and HDSDI are displayed when the CBK-HD01 is installed.)	
		WIDE MODE(EXT) (When the CBK-HD01 or CBK-SC02 option board is installed)	<b>AUTO/16:9</b>	When the input signal is SD, select the method that determines whether the signal is treated as a wide signal. <b>AUTO:</b> When wide picture information is detected in the input signal, treat the signal as a wide signal and set the up-converter operating mode to squeeze mode. Record wide picture information when recording SD. When wide picture information is not detected, set the up-converter operating mode to edge crop mode and do not record wide picture information. <b>16:9:</b> Always treat the signal as a wide signal and set the up-converter operating mode to squeeze mode. Record wide picture information when recording SD.
		SETUP REMOVE (When the COUNTRY item is set to "NTSC(J)AREA" or "NTSC AREA" and the CBK-SC02 option board is installed)	<b>0.0%/7.5%</b>	Selects whether to modify the setup level of input video signals. <b>7.5%:</b> Remove the setup. (Select when signals with 7.5% setup are input.) <b>0.0%:</b> Do not remove the setup. (Select when signals without setup are input.)
26	UMID SET	COUNTRY CODE	<b>Blank</b> /up to 4 characters	<i>For details, see "Setting the UMID data" on page 183.</i>
		ORGANIZATION	<b>Blank</b> /up to 4 characters	
		USER CODE	<b>Blank</b> /up to 4 characters	
		TIME ZONE	<b>00</b> to 3F	



No.	Page	Item	Settings	Description
27	CLIP TITLE	TITLE	<b>DSABL/ENABL</b>	<i>For details, see "Assigning user-defined clip titles automatically" on page 87.</i>
		SELECT PREFIX (When the TITLE item is set to "ENABL")	EXEC	
		CLEAR NUMERIC (When the TITLE item is set to "ENABL")	EXEC	
		LOAD PREFIX DATA (When the TITLE item is set to "ENABL")	EXEC	
		PREFIX (When the TITLE item is set to "ENABL")	<b>TITLE</b> /up to 10 characters	
		NUMERIC (When the TITLE item is set to "ENABL")	<b>00001</b> to 99999	
28	FILE NAMING	NAMING FORM	<b>C****/FREE</b>	<i>For details, see "Assigning user-defined names to clips and clip lists" on page 90.</i>
		AUTO NAMING (When the NAMING FORM item is set to "FREE")	<b>C****/TITLE/PLAN</b>	

No.	Page	Item	Settings	Description
29	SELECT FUNCTION	LETTER BOX	<b>DISABLE/ENABLE</b>	Enable the selection of “LETTR” (LETTER BOX) in the DOWN CON MODE item on the OUTPUT 2 page.  <b>Note</b> Breakup may occur in output signals and in the video and audio of this unit for about 5 to 10 seconds immediately after this setting is changed.
		FOCUS MAG	<b>DISABLE/ENABLE</b>	Enable the assignment of the FOCUS MAG function to the ASSIGN switches.  <b>Note</b> Breakup may occur in output signals and in the video and audio of this unit for about 5 to 10 seconds immediately after this setting is changed.
		HD → SD PHASE DELAYED	Display only	Appears when LETTER BOX is set to “ENABLE”, or when FOCUS MAG is set to “ENABLE”.  <b>Note</b> In these states, the phases of HD output and SD output from this unit do not match.
		REF → HD-Y PHASE DELAYED	Display only	Appears when FOCUS MAG is set to “ENABLE”.  <b>Note</b> In this state, the phase of HD-Y output from this unit does not match the phase of the GENLOCK IN signal. When multiple PDW-700 units are daisy chained via this unit ( <i>see page 70</i> ), inter-system phases do not match.

## PAINT menu

No.	Page	Item	Settings	Description
01	SW STATUS	GAMMA	OFF/ON	Turns the gamma correction on or off.
		BLACK GAMMA	OFF/ON	Turns the black gamma correction on or off.
		MATRIX	OFF/ON	Turns the linear matrix correction and user-set matrix correction functions on or off.
		KNEE	OFF/ON	Turns the knee correction on or off.
		WHITE CLIP	OFF/ON	Turns the white clipping correction on or off.
		DETAIL	OFF/ON	Turns the detail signal on or off.
		APERTURE	OFF/ON	Turns the aperture function on or off.
		FLARE	OFF/ON	Turns the flare function on or off.
		TEST SAW	OFF/ON	Selects the test signal.
		02	WHITE	COLOR TEMP <A>
C TEMP BAL <A>	(-99 to 99)			Adjusts the value more precisely when the color temperature adjustment through COLOR TEMP is not satisfactory.
R GAIN <A>	(-99 to 99)			Only the value of R GAIN is changed.
B GAIN <A>	(-99 to 99)			Only the value of B GAIN is changed.
COLOR TEMP <B>	Displays reference color temperature.			Sets the color temperature of WHITE B.
C TEMP BAL <B>	(-99 to 99)			Adjusts the value more precisely when the color temperature adjustment through COLOR TEMP is not satisfactory.
R GAIN <B>	(-99 to 99)			Only the value of R GAIN is changed.
B GAIN <B>	(-99 to 99)			Only the value of B GAIN is changed.

No.	Page	Item	Settings	Description
03	BLACK/FLARE	MASTER BLACK	(-99 to 99)	Adjusts the master black level.
		R BLACK	(-99 to 99)	Adjusts the R black level.
		B BLACK	(-99 to 99)	Adjusts the B black level.
		MASTER FLARE	(-99 to 99)	Adjusts the flare level of the master.
		R FLARE	(-99 to 99)	Adjusts the R flare level.
		G FLARE	(-99 to 99)	Adjusts the G flare level.
		B FLARE	(-99 to 99)	Adjusts the B flare level.
		FLARE	OFF/ON	Turns the flare correction circuit on or off.
		TEST OUT SELECT	VBS/Y/R/G/B/LCD	Selects the output signal of TEST OUT connector.
04	GAMMA	GAMMA	OFF/ON	Turns the gamma correction function on or off.
		STEP GAMMA	0.35 to <b>0.45</b> to 0.90	Sets the gamma correction curve by steps.
		MASTER GAMMA	(-99 to 99)	Sets the master gamma correction curve.
		R GAMMA	(-99 to 99)	Sets the R gamma correction curve.
		G GAMMA	(-99 to 99)	Sets the G gamma correction curve.
		B GAMMA	(-99 to 99)	Sets the B gamma correction curve.
		TEST OUT SELECT	VBS/Y/R/G/B/LCD	Selects the output signal of TEST OUT connector.
		GAMMA TABLE	STD/HG	Selects the gamma type. <b>STD:</b> Standard gamma <b>HG:</b> Hyper gamma
		GAM TABLE(STD)	1 to <b>5</b> to 6	Selects the standard gamma type. <b>1:</b> Corresponds to SD camcorder <b>2:</b> x 4.5 gain <b>3:</b> x 3.5 gain <b>4:</b> Corresponds to SMPTE-240M <b>5:</b> Corresponds to ITU-R709 <b>6:</b> x 5.0 gain
GAM TABLE(HG)	1 to <b>4</b>	Selects the hyper gamma type. <b>1:</b> 325% to 100% <b>2:</b> 460% to 100% <b>3:</b> 325% to 109% <b>4:</b> 460% to 109%		

No.	Page	Item	Settings	Description
05	BLACK GAMMA	BLACK GAMMA	OFF/ON	Turns the black gamma correction on or off.
		BLACK GAM RANGE	LOW/L.MID/H.MID/ <b>HIGH</b>	Sets the range affected by black gamma.
		MASTER BLK GAMMA	(-99 to 99)	Adjusts the master black gamma.
		R BLACK GAMMA	(-99 to 99)	Sets the correction curve of the R black gamma.
		G BLACK GAMMA	(-99 to 99)	Sets the correction curve of the G black gamma.
		B BLACK GAMMA	(-99 to 99)	Sets the correction curve of the B black gamma.
		TEST OUT SELECT	<b>VBS/Y/R/G/B/LCD</b>	Selects the output signal of TEST OUT connector.
06	KNEE	KNEE	OFF/ON	Turns the knee correction circuit on or off.
		KNEE POINT	50.0% to <b>95.0%</b> to 109.0%	Sets the knee point level.
		KNEE SLOPE	(-99 to 99)	Set the knee slope level.
		KNEE SATURATION	OFF/ON	Turns the knee saturation function on or off.
		KNEE SAT LEVEL	(-99 to 99)	Sets the knee saturation level.
		WHITE CLIP	OFF/ON	Turns the white clipping function on or off.
		WHITE CLIP LEVEL	NTSC: 90.0% to <b>108.0%</b> to 109.0% PAL: 90.0% to <b>105.0%</b> to 109.0%	Adjusts the white clipping level.
07	DETAIL 1	DETAIL	OFF/ON	Sets the detail correction function on or off.
		APERTURE	OFF/ON	Turns the aperture correction function on or off.
		DETAIL LEVEL	(-99 to 99)	Sets the general level of the detail signal.
		APERTURE LEVEL	(-99 to 99)	Sets the aperture correction level.
		DTL H/V RATIO	(-99 to 99)	Sets the level of the V detail signal.
		CRISPENING	(-99 to 99)	Sets the crispening level.
		LEVEL DEPEND	OFF/ON	Turns the level depend function on or off.
		LEVEL DEPEND LVL	(-99 to 99)	Sets the level of the level depend.
		DETAIL FREQUENCY	(-99 to 99)	Sets the frequency of the H detail signal.

No.	Page	Item	Settings	Description
08	DETAIL 2	KNEE APERTURE	OFF/ON	Turns the knee aperture function on or off.
		KNEE APT LVL	(-99 to 99)	Sets the knee aperture level.
		DETAIL LIMIT	(-99 to 99)	Sets the both detail black and white limiters.
		DTL WHT LMT	(-99 to 99)	Sets the detail white limiter.
		DTL BLK LMT	(-99 to 99)	Sets the detail black limiter.
		DTL V-BLK LMT	(-99 to 99)	Sets the V detail black limiter.
		V DTL CREATION	NAM/G/R+G/Y	Selects the source signal of the V DTL signal.
		H/V CONTROL MODE	H/V/V	Selects the operation mode of DTL H/V RATIO on the DETAIL 1 page. <b>H/V:</b> H and V increase and decrease in inverse proportion <b>V:</b> V DTL only enabled
		09	SD DETAIL	SD DETAIL
SD DETAIL LEVEL	(-99 to 99)			Sets the general level of the SD detail signal.
SD CRISPENING	(-99 to 99)			Sets the SD crispening level.
SD DTL WHT LIMIT	(-99 to 99)			Sets the SD detail white limiter.
SD DTL BLK LIMIT	(-99 to 99)			Sets the SD detail black limiter.
SD LEVEL DEPEND	OFF/ON			Turns the SD level depend function on or off.
SD LV DEPEND LVL	(-99 to 99)			Sets the level of the SD level depend.
SD DTL FREQUENCY	(-99 to 99)			Sets the frequency of the SD H detail signal.
SD DTL H/V RATIO	(-99 to 99)			Sets the level of the SD V detail signal.
SD CROSS COLOR (When NTSC(J)AREA or NTSC AREA is selected on the FORMAT page)	(-99 to 99)	Sets the SD cross color reduction level.		

No.	Page	Item	Settings	Description
10	SKIN DETAIL	SKIN DETAIL ALL	OFF/ON	Turns on or off all of channels 1, 2 and 3 for the color detail function.
		SKIN DETECT	Moves to color detection page.	Executes the color detail function.
		SKIN AREA IND	OFF/ON	Turns on and off the function that displays a zebra pattern where color was detected.
		SKIN DTL SELECT	1/2/3	Selects the type of the color detail function. The following items depend on the selected type of the color detail function.
		SKIN DETAIL	OFF/ON	Turns the color detail function on or off for the type selected in the above item.
		SKIN DETAIL LVL	(-99 to 99)	Sets the level of the color detail signal.
		SKIN DTL SAT	(-99 to 99)	Adjusts the saturation level of the hue possessed by the color detail function.
		SKIN DTL HUE	0 to 359	Adjusts the center phase of the hue possessed by the color detail function.
		SKIN DTL WIDTH	0 to 39 to 359	Adjusts the width of the hue possessed by the color detail function.
11	MTX LINEAR	MATRIX	OFF/ON	Turns the linear matrix correction and user-set matrix correction functions on or off.
		MATRIX(USER)	OFF/ON	Turns the user-set matrix correction function on or off.
		MATRIX(PRESET)	OFF/ON	Turns the preset matrix correction function on or off.
		MATRIX(PRST) SEL	1/2/3/4/5/6	Selects the preset matrix correction function.
		MATRIX(USER) R-G	(-99 to 99)	Sets the arbitrary R-G user-set matrix coefficients.
		MATRIX(USER) R-B	(-99 to 99)	Sets the arbitrary R-B user-set matrix coefficients.
		MATRIX(USER) G-R	(-99 to 99)	Sets the arbitrary G-R user-set matrix coefficients.
		MATRIX(USER) G-B	(-99 to 99)	Sets the arbitrary G-B user-set matrix coefficients.
		MATRIX(USER) B-R	(-99 to 99)	Sets the arbitrary B-R user-set matrix coefficients.
MATRIX(USER) B-G	(-99 to 99)	Sets the arbitrary B-G user-set matrix coefficients.		

No.	Page	Item	Settings	Description
12	MTX MULTI	MATRIX	OFF/ON	Turns the linear matrix correction and multi matrix correction functions on or off.
		MATRIX (MULTI)	OFF/ON	Turns the multi matrix correction function on or off.
		MATRIX AREA IND	OFF/ON	Turns the zebra indication on or off in the area corresponding to the currently selected setting.
		MATRIX COLOR DET	Moves to color detection page.	Detects color.
		MTX(MULTI)PRESET	EXEC	Return MTX(MULTI)HUE and MTX(MULTI)SAT values to preset values for each of the 16 axes.
		MTX (MULTI) AXIS	B/B+/MG-/MG/MG+/R/R+/YL-/YL/YL+/G-/G/G+/CY/CY+/B-	Sets 16 hue axes as the targets of the multi matrix correction function.
		MTX (MULTI) HUE	(-99 to 99)	Sets hue correction values for each of the 16 axis modes.
		MTX (MULTI) SAT	(-99 to 99)	Sets saturation correction values for each of the 16 axis modes.
13	V MODULATION	V MOD	OFF/ON	Turns the V modulation function on or off.
		MASTER VMOD	(-99 to 99)	Adjusts the master V modulation level.
		R VMOD	(-99 to 99)	Adjusts the R V modulation level.
		G VMOD	(-99 to 99)	Adjusts the G V modulation level.
		B VMOD	(-99 to 99)	Adjusts the B V modulation level.
		TEST OUT SELECT	VBS/Y/R/G/B/LCD	Selects the output signal of the TEST OUT connector.
14	SATURATION	LOW KEY SAT	OFF/ON	Turns the low key saturation function on or off.
		L KEY SAT LEVEL	(-99 to 99)	Sets the saturation level of the low luminance part.
		L KEY SAT RANGE	LOW/L.MID/H.MID/ <b>HIGH</b>	Sets the luminance level at which the low key saturation function becomes effective.
		Y BLACK GAMMA	OFF/ON	Turns the Y black gamma function on or off.
		Y BLK GAM LEVEL	(-99 to 99)	Sets the gamma curve in the low luminance part.
		Y BLK GAM RANGE	LOW/L.MID/H.MID/ <b>HIGH</b>	Sets the luminance level at which the Y black gamma becomes effective.
15	NOISE SUPPRESS	NOISE SUPPRESS	OFF/ON	Turn on and off the noise suppression function.



No.	Page	Item	Settings	Description
16	SCENE FILE	1	STANDARD	Recalls the scene file saved in the memory of the camcorder.
		2	STANDARD	
		3	STANDARD	
		4	STANDARD	
		5	STANDARD	
		STANDARD	–	Clears all current detail-adjusted settings and switch settings and returns the settings to the standard settings saved in the reference file.
		SCENE RECALL	–	Recalls the scene file from the memory of the camcorder or the “Memory Stick”.
SCENE STORE	–	Stores the scene file in the memory of the camcorder or the “Memory Stick”.		
F.ID		<b>Blank</b> /up to 16 characters	Sets the File ID.	


## MAINTENANCE menu

No.	Page	Item	Settings	Description
01	WHITE SHADING	WHT SHAD CH SEL	<b>R/G/B/TEST</b>	Selects the channel adjusted by this menu. If TEST is selected, the setting is linked to the setting of TEST OUT SELECT.
		TEST OUT SELECT	<b>VBS/Y/R/G/B/LCD</b>	Selects the signal output of the TEST OUT connector.
		R/G/B WHT H SAW	(–99 to 99)	H Saw white shading compensation.
		R/G/B WHT H PARA	(–99 to 99)	H Parabola white shading compensation.
		R/G/B WHT V SAW	(–99 to 99)	V Saw white shading compensation.
		R/G/B WHT V PARA	(–99 to 99)	V Parabola white shading compensation.
		WHITE SAW/ PARA	<b>OFF/ON</b>	Turns white shading Saw and Parabola compensation on and off.

No.	Page	Item	Settings	Description
02	BLACK SHADING	BLK SHAD CH SEL	R/G/B/TEST/LCD	Selects the channel adjusted by this menu. If "TEST" is selected, the setting is the same as the setting of TEST OUT SELECT.
		TEST OUT SELECT	VBS/Y/R/G/B/LCD	Selects the signal output of the TEST OUT connector.
		R/G/B BLK H SAW	(-99 to 99)	H Saw black shading compensation.
		R/G/B BLK H PARA	(-99 to 99)	H Parabola black shading compensation.
		R/G/B BLK V SAW	(-99 to 99)	V Saw black shading compensation.
		R/G/B BLK V PARA	(-99 to 99)	V Parabola black shading compensation.
		BLACK SAW/PARA	OFF/ON	Turns black shading Saw and Parabola compensation on and off.
		MASTER BLACK	(-99 to 99)	Master black level adjustment.
		MASTER GAIN(TMP)	-6dB/-3dB/0dB/3dB/6dB/9dB/12dB/18dB/24dB/30dB/36dB/42dB	Temporarily adjusts the master gain value.
		03	LEVEL ADJUST	VBS VIDEO LEVEL
HD-Y LEVEL	(-99 to 99)			Adjusts the Y level of the HD component signal.
TEST OUT SELECT	VBS/Y/R/G/B/LCD			Selects the signal output of the TEST OUT connector.

No.	Page	Item	Settings	Description
04	BATTERY 1	Info BEFORE	<b>5%</b> /10%/	Used when a BP-GL65/GL95 Battery Pack is used.
		END	15%...95%/100%	Sets the remaining power (% value) of the battery at which the BEFORE END warning should be issued. <sup>a)</sup>
		Info END	<b>0%</b> /1%/2%/3%/4%/5%	Used when a BP-GL65/GL95 Battery Pack is used. Sets the remaining power (% value) of the battery at which the END warning should be issued. <sup>b)</sup>
		Sony BEFORE	<b>11.5V</b> to 17.0V	Used when a BP-L60S/L80S Battery Pack is used.
		END	(in 0.1V steps)	Sets the voltage level of the battery at which the BEFORE END warning should be issued. <sup>a)</sup>
		Sony END	<b>11.0V</b> to 11.5V	Used when a BP-L60S/L80S Battery Pack is used.
			(in 0.1V steps)	Sets the voltage level of the battery at which the END warning should be issued. <sup>b)</sup>
		Other BEFORE	11.5V to <b>11.8V</b>	Used when a battery pack other than a Sony battery pack is used. Sets the voltage level of the battery at which the BEFORE END warning should be issued.
		END	to 17.0V (in 0.1V steps)	
		Other END <sup>c)</sup>	<b>11.0V</b> to 14.0V	Used when a battery pack other than a Sony battery pack is used. Sets the voltage level of the battery at which the END warning should be issued.
	(in 0.1 V steps)			
DC IN BEFORE	11.5V to <b>11.8V</b>	Used when an external power source is connected to the DC IN connector. Sets the voltage level of the connected external power source at which the BEFORE END warning should be issued.		
END	to 17.0V (in 0.1 V steps)			
DC IN END	<b>11.0V</b> to 14.0V	Used when an external power source is connected to the DC IN connector. Sets the voltage level of the connected external power source at which the END warning should be issued.		
	(in 0.1 V steps)			
DETECTED BATTERY	Info/Sony/Other/DC IN	Displays the type of automatically detected battery.		

No.	Page	Item	Settings	Description
05	BATTERY 2	TYPE DETECTION	AUTO/OTHER	<b>AUTO:</b> Automatically detects the type of the battery. <b>OTHER:</b> Always judges the battery to be of the “OTHER” <sup>(c)</sup> type regardless of the actual battery type.
		SEGMENT NO.7	11.0V to <b>17.0V</b> (in 0.1 V steps)	When the battery type judgment is “OTHER”, sets the voltage level below which the battery status indicator segment No.7 should turn off.
		SEGMENT NO.6	11.0V to <b>16.0V</b> to 17.0V (in 0.1 V steps)	When the battery type judgment is “OTHER”, sets the voltage level below which the battery status indicator segment No. 6 should turn off.
		SEGMENT NO.5	11.0V to <b>15.0V</b> to 17.0V (in 0.1 V steps)	When the battery type judgment is “OTHER”, sets the voltage level below which the battery status indicator segment No. 5 should turn off.
		SEGMENT NO.4	11.0V to <b>14.0V</b> to 17.0V (in 0.1 V steps)	When the battery type judgment is “OTHER”, sets the voltage level below which the battery status indicator segment No. 4 should turn off.
		SEGMENT NO.3	11.0V to <b>13.0V</b> to 17.0V (in 0.1 V steps)	When the battery type judgment is “OTHER”, sets the voltage level below which the battery status indicator segment No. 3 should turn off.
		SEGMENT NO.2	11.0V to <b>12.0V</b> to 17.0V (in 0.1 V steps)	When the battery type judgment is “OTHER”, sets the voltage level below which the battery status indicator segment No. 2 should turn off.
		SEGMENT NO.1	<b>11.0V</b> to 17.0V (in 0.1 V steps)	When the battery type judgment is “OTHER”, sets the voltage level below which the battery status indicator segment No. 1 should turn off.

Battery status indicator segments  
  
 (“E”<sup>(d)</sup> and “F” are always on.)

No.	Page	Item	Settings	Description
06	AUDIO-1	FRONT MIC SELECT	MONO/STREO	Input mode selection for front microphone.
		AUDIO CH3/4 MODE	CH1/2/SW	Selects the sources to be recorded to channels CH-3/4. <b>CH1/2:</b> Same sources as CH-1/2. <b>SW:</b> Signals selected by the AUDIO IN CH-3/CH-4 switches.
		REAR XLR AUTO	OFF/ON	Turns the XLR connection automatic detection on or off.
		FRONT MIC REF	-60dB/-50dB/-40dB	Sets the reference level of the front microphone.
		REAR MIC REF	-60dB/-50dB/-40dB	Sets the reference level when the AUDIO IN CH1 connector is set to MIC.
		MIN ALARM VOL	OFF/SET	Volume of the monitor speaker alarm tone when it is turned all the way down. <b>OFF:</b> Almost inaudible. <b>SET:</b> Faintly audible.
		SP ATT LEVEL	OFF/3dB/6dB/9dB	Lowers the volume of the monitor speaker. Has no effect on earphone volume.
		HEADPHONE OUT	MONO/STREO	Selects whether to make the rear earphone monaural or stereo.
07	AUDIO-2	AU DATA LEN (IMX) (When the CBKZ-MD01 is installed)	16bit/24bit	<i>For details, see "Setting the Recording Format" (page 54).</i>
		AU REF LEVEL	-20dB/-18dB/-16dB/-12dB/EBUL	Sets the output level of the 1 kHz test signal.
		AU REF OUT	0dB/+4dB/-3dB/EBUL	Sets the output reference level.
		AU CH12 AGC MODE	MONO/STREO	Selects whether to perform automatic input level adjustment of analog audio signals to be recorded on channels 1 and 2 independently for each channel, or in stereo mode.
		AU CH34 AGC MODE	MONO/STREO/OFF	Selects whether to perform automatic input level adjustment of analog audio signals to be recorded on channels 3 and 4 independently for each channel, or in stereo mode, or not at all (OFF).
		AU AGC SPEC	-6dB/-9dB/-12dB/-15dB/-17dB	AGC saturation level setting.
		AU LIMITER MODE	OFF/-6dB/-9dB/-12dB/-15dB/-17dB	For manual audio input level adjustment, selects the limiter saturation level for loud input signals.
		AU OUT LIMITER	OFF/ON	Turns the audio output limiter on or off.

No.	Page	Item	Settings	Description
08	AUDIO-3	AU SG (1KHz)	ON/OFF/AUTO	Sets whether to output a 1 kHz test tone during the Color Bar mode or not. <b>ON:</b> A 1 kHz test tone is output during the Color Bar mode. <b>OFF:</b> A 1 kHz test tone is not output during the Color Bar mode. <b>AUTO:</b> A 1 kHz test tone is output only when the AUDIO SELECT CH-1 switch on the inside panel is in the AUTO position.
		MIC CH1 LEVEL	SIDE1/FRONT/ F+S1	When recording the front microphone sound on CH 1, selects which control is to be used for the level adjustment. <b>SIDE 1:</b> LEVEL control (left side) <b>FRONT:</b> MIC LEVEL control <b>F+S1:</b> LEVEL control (left side) or the MIC LEVEL control (The two controls are linked to each other.)
		MIC CH2 LEVEL	SIDE2/FRONT/ F+S2	When recording the front microphone sound on CH 2, selects which control is to be used for the level adjustment. <b>SIDE 2:</b> LEVEL control (right side) <b>FRONT:</b> MIC LEVEL control <b>F+S2:</b> LEVEL control (right side) or the MIC LEVEL control (The two controls are linked to each other.)
		REAR1/WRR LEVEL	<b>SIDE1</b> /FRONT/ F+S1	Selects any of these controls to adjust the audio level of the equipment that is connected to the wireless microphone and whatever is connected to the AUDIO IN CH1 connector on the rear panel. <b>SIDE 1:</b> LEVEL control (left side) <b>FRONT:</b> MIC LEVEL control <b>F+S1:</b> LEVEL control (left side) or the MIC LEVEL control (The two controls are linked to each other.)
		REAR2/WRR LEVEL	<b>SIDE2</b> /FRONT/ F+S2	Selects any of these controls to adjust the audio level of the equipment that is connected to the wireless microphone and whatever is connected to the AUDIO IN CH2 connector on the rear panel. <b>SIDE 2:</b> LEVEL control (right side) <b>FRONT:</b> MIC LEVEL control <b>F+S2:</b> LEVEL control (right side) or the MIC LEVEL control (The two controls are linked to each other.)
		AUDIO CH3 LEVEL <sup>e)</sup>	<b>FIX</b> /FRONT	Selects the audio level recorded on channel 3. <b>FIX:</b> Fixed <b>FRONT:</b> Level as adjusted by the MIC LEVEL control on the front panel of the camcorder
		AUDIO CH4 LEVEL <sup>e)</sup>	<b>FIX</b> /FRONT	Selects the audio level recorded on channel 4. <b>FIX:</b> Fixed <b>FRONT:</b> Level as adjusted by the MIC LEVEL control on the front panel of the camcorder

No.	Page	Item	Settings	Description
09	WRR SETTING	WRR VALID CH SEL <sup>f)</sup>	ALL/CH1	Selects whether to enable channels 1 and 2 of the wireless receiver, or channel 1 only. <b>ALL:</b> Enable both channel 1 and 2. <b>CH1:</b> Enable channel 1 only. Select this setting to use the wireless receiver as a monaural receiver.
		WRR CH SELECT <sup>f)</sup>	TX1/TX2	Specifies the target channel for other items in this menu. <b>TX1:</b> Channel 1 <b>TX2:</b> Channel 2
		WRR DELAY COMP <sup>f)</sup>	OFF/ON	Enables or disables the delay compensation function for wireless audio input. <b>OFF:</b> Disables the function. <b>ON:</b> Enables the function (the audio in all EE output is delayed by about 8 ms).
		TX*(*: channel number) <sup>f)</sup>	–	Displays the name of the transmitter whose signals are being received on the channel selected by WRR CH SELECT.
		TX* AUDIO PEAK(*: channel number) <sup>f)</sup>	---/PEAK	Displays whether the AF level of the transmitter whose signals are being received on the channel selected by WRR CH SELECT is over the peak.
		TX* INPUT LEVEL(*: channel number) <sup>f)</sup>	MIC/LINE	Displays whether the input level of the transmitter whose signals are being received on the channel selected by WRR CH SELECT is set to MIC or LINE.
		TX* ATT LEVEL(*: channel number) <sup>f)</sup>	–	Sets the ATT level of the transmitter whose signals are being received on the channel selected by WRR CH SELECT (the permissible setting range may vary depending on the transmitter device).
		TX* LCF FREQ(*: channel number) <sup>f)</sup>	–	Sets the Low Cut Filter frequency of the transmitter whose signals are being received on the channel selected by WRR CH SELECT (the permissible setting range may vary depending on the transmitter device).
		TX* SYSTEM DELAY(*: channel number) <sup>f)</sup>	<b>AUTO/</b> 0.0ms~8.0ms	When WRR DELAY COMP is set to ON, sets the amount of audio delay for the channel selected by WRR CH SELECT. <b>AUTO:</b> Automatically adjusts the amount of delay so that the delay in the audio received from the wireless receiver is zero. <b>0.0ms~8.0ms:</b> Sets the amount of anticipated wireless system delay, for cases in several wireless systems are being used over a device such as an audio mixer.

No.	Page	Item	Settings	Description
10	TIMECODE	TC OUT	AUTO/GENE	Selects the timecode signal output. <b>AUTO:</b> Outputs the timecode generator output during recording and outputs the timecode reader output during playback. <b>GENE:</b> Outputs the timecode generator output during recording and playback.
		DF/NDF (When SYSTEM FREQUENCY is set to "59.94i")	<b>DF/NDF</b>	Sets DF or NDF mode. <b>DF:</b> Drop frame mode <b>NDF:</b> Non-drop frame mode
		EXT-LK DF/NDF (When SYSTEM FREQUENCY is set to "59.94i")	<b>INT/EXT</b>	Selects either internal setting or external setting for DF/NDF. <b>INT:</b> Internal <b>EXT:</b> External
		EXT-LK UBIT	<b>INT/EXT</b>	Selects whether the LTC UBIT setup value locks to an INT or an EXT source when the timecode is locked to an external source. <b>INT:</b> Internal lock <b>EXT:</b> External lock
		LTC UBIT	<b>FIX/TIME</b>	Sets the data to be recorded in U-BIT of LTC. <b>FIX:</b> Records the data that is set by the user. <b>TIME:</b> Records the present time.
		VITC UBIT (SD) (When the CBKZ-MD01 is installed)	<b>FIX/TIME</b>	Sets the data to be recorded in U-BIT of VITC. <b>FIX:</b> Records the data that is set by the user. <b>TIME:</b> Records the present time.
		WATCH AUTO ADJ	<b>OFF/ON</b>	Matches the time of the internal clock with the time data of the user bits of an external timecode. Turns the automatic time correction function of the internal clock on or off.
		UBIT GROUP ID	<b>000/101</b>	Selects the U-BIT GROUP ID.
		VITC INS LINE 1 (When the CBKZ-MD01 is installed)	NTSC: 12H to <b>16H</b> to 19H PAL: 9H to <b>19H</b> to 22H	Selects the line into which VITC is to be inserted.
		VITC INS LINE 2 (When the CBKZ-MD01 is installed)	NTSC: 12H to <b>18H</b> to 19H PAL: 9H to <b>21H</b> to 22H	
11	ESSENCE MARK	RET SHOT MARK 1	<b>OFF/ON</b>	<i>For details, see "Recording essence marks" on page 80.</i>
		RET SHOT MARK 2	<b>OFF/ON</b>	
		INDEX PIC. POS	<b>0SEC</b> to 10SEC (in 1 sec steps)	<i>For details, see "Setting the thumbnail image at recording time" on page 81.</i>



No.	Page	Item	Settings	Description
12	CAM CONFIG 1	REC TALLY BLINK	OFF/ON	Turns the tally illumination control on or off when the battery is almost exhausted or the disc is almost full.
		REC START BEEP	OFF/ON	Turns on or off the REC START/STOP alarm sound.
		SUB LCD MODE SEL	TIMER/OFF/ CONT	Sets the timecode (TC) display after poweroff as follows. <b>TIMER:</b> The TC display turns off after the elapse of the time set by the SUB LCD TIMER below. <b>OFF:</b> Not displayed. <b>CONT:</b> Displayed.
		SUB LCD TIMER	1H/3H/8H	Sets the duration of time after which the TC display is to be turned off after power-off, when the SUB LCD MODE SEL item, above, is set to "TIMER" (H: hours).
		HDSDI REMOTE I/F	OFF/CHARA/ G-TLY/R-TLY	Selects whether to use the function that enables recording control from this unit of an external device connected to the SDI OUT 1/2 connectors (HDSDI output) of this unit. <sup>8)</sup> Also selects the indication that shows whether the external device is recording. <b>OFF:</b> Do not use the remote recording control function. <b>CHARA:</b> Use the function, and indicate by the controlling external device indicator in the viewfinder ( <i>see page 33</i> ). <b>G-TLY:</b> Use the function, and indicate by the TALLY indicator in the viewfinder. <b>R-TLY:</b> Use the function, and indicate by the REC (recording, red tally) indicator in the viewfinder.
				<b>Note</b> When R-TLY is selected, the REC indicator lights even when the unit is not recording.
		PROAV DISPLAY	DSABL/ENABL	Specifies whether to display the PROAV folder when this unit is accessed by a FAM/FTP connection. <b>DSABL:</b> Do not display. <b>ENABL:</b> Display.

No.	Page	Item	Settings	Description		
13	CAM CONFIG 2	TEST SAW SELECT	SAW/REC	Selects the test signal.		
		COLOR BAR SELECT	ARIB/100%/75%/SMPTE	Selects the HD color bar type.		
		USER & ALL ONLY	OFF/ON	Show only USER menu in the top menu.		
		RM COMMON MEMORY	OFF/ON	Selects whether or not to share settings for when a remote control unit is connected and when the unit is used alone.		
		RM REC START	RM/CAM/ PARA	When an RM remote control unit is connected, selects which recording start/stop buttons are enabled. <b>RM:</b> remote control unit <b>CAM:</b> camcorder <b>PARA:</b> both		
		SHT DISP MODE	SEC/DEG	Selects shutter speed display (seconds or degrees).		
		RM F NO DISPLAY	CTRL/RET	Selects the method used to display IRIS F values on the MSU-900 or another remote control unit. <b>CTRL:</b> Display on the basis of control value from the camera (normal display method). <b>RET:</b> Display on the basis of position information from the lens (same method as when AUTO IRIS is enabled).		
		14	PRESET WHITE	COLOR TEMP <P>	Display reference color temperature.	Sets the white balance preset value.
				C TEMP BAL <P>	(-99 to 99)	Finer setting when the desired color could not be obtained with the COLOR TEMP <P> color temperature setting.
				R GAIN <P>	(-99 to 99)	Sets the R gain preset value.
G GAIN <P>	(-99 to 99)			Sets the G gain preset value.		
AWB ENABLE <P>	OFF/ON			When the WHITE BAL switch is set to PRST, turns the function that enables execution of AWB (auto white balance) on and off.		
15	WHITE FILTER	ND FILTER CTEMP	OFF/ON	Turns on and off the function which assigns electrical CC filters to neutral density (ND) filters.		
		ND FLT CTEMP <1>	3200K/4300K/ 5600K/6300K	Select the color temperatures when the electrical CC filters are assigned to the ND filters.		
		ND FLT CTEMP 2-4	3200K/4300K/ 5600K/6300K	<i>For details, see "To change the color temperature when the ND filter is switched" (page 58).</i>		
		ELECTRICAL CC<A>	3200K/4300K/ 5600K/6300K	Select the color temperatures selected by electrical CC filter switching, when the electrical CC filter switching function is assigned to an ASSIGN switch.		
		ELECTRICAL CC<B>	3200K/4300K/ 5600K/6300K	Select the color temperatures selected by electrical CC filter switching, when the electrical CC filter switching function is assigned to an ASSIGN switch.		
		ELECTRICAL CC<C>	3200K/4300K/ 5600K/6300K/ -----	<i>For details, see "To switch between electrical CC filters with an ASSIGN switch" (page 59).</i>		
		ELECTRICAL CC<D>	3200K/4300K/ 5600K/6300K/ -----			

No.	Page	Item	Settings	Description		
16	DCC ADJUST	DCC FUNCTION SEL	<b>DCC/FIX</b>	Enables or disables automatic knee point adjustment when the OUTPUT/DCC switch is set to CAM, DCC: ON. <b>DCC:</b> Automatically adjust the knee point according to the luminance of the subject. <b>FIX:</b> Set the knee point to a fixed value.		
		DCC D RANGE	400%/450%/500%/550%/ <b>600%</b>	Sets the dynamic range when the OUTPUT/DCC switch is set to CAM, DCC: ON.		
		DCC POINT	(-99 to 99)	Adjusts the DCC minimum knee point.		
		DCC GAIN	(-99 to 99)	Adjusts the gain to DCC detected value.		
		DCC DELAY TIME	(-99 to 99)	Adjusts the DCC reaction speed.		
		DCC PEAK FILTER	(-99 to 99)	Adjusts the response sensitivity to the peak of the DCC detected value.		
		17	AUTO IRIS 2	IRIS WINDOW	<b>1/2/3/4/5/6/VAR</b>	Selects the auto iris detection window. <b>VAR:</b> variable
				IRIS WINDOW IND	<b>OFF/ON</b>	Turns on and off the function which displays a frame marker for the auto iris detection window.
IRIS LEVEL	(-99 to 99)			Adjusts the level of the auto iris target value.		
IRIS APL RATIO	(-99 to 99)			Adjusts the mix ratio of auto iris detection peak value and average value.		
IRIS VAR WIDTH	20 to <b>240</b> to 479			Adjusts the width of detection frame when the auto iris detection window is set to VAR.		
IRIS VAR HEIGHT	20 to <b>135</b> to 269			Adjusts the height of detection frame when the auto iris detection window is set to VAR.		
IRIS VAR H POS	-460 to <b>0</b> to 459			Adjusts the horizontal position of detection frame when the auto iris detection window is set to VAR.		
IRIS VAR V POS	-250 to <b>0</b> to 249			Adjusts the vertical position of detection frame when the auto iris detection window is set to VAR.		
IRIS SPEED	(-99 to 99)			Adjusts the auto iris speed.		
CLIP HIGH LIGHT	<b>OFF/ON</b>			Turns on and off the function which, during auto iris adjustment, ignores very bright areas by dulling the reaction to high luminescence.		
18	GENLOCK			GENLOCK	<b>OFF/ON</b>	Turns genlock on and off.
		GL HD H PHASE	(-99 to 99)	Sets the HD output H phase for genlock operation.		
		GL SD H PHASE	(-99 to 99)	Sets the SD output H phase for genlock operation.		
		REFERENCE	INTERNAL/ GENLOCK/ SDI IN	Displays the type of reference signal used by this unit.		
19	ND COMP	ND OFFSET ADJUST	<b>OFF/ON</b>	Turns on and off the mode which sets ND (neutral density) filter color compensation values.		
		CLEAR ND OFFSET	EXEC	Clear ND filter color compensation values.		

No.	Page	Item	Settings	Description
20	AUTO SHADING	AUTO BLK SHADING	EXEC	Executes the auto black shading correction function.
		RESET BLK SHD	EXEC	Clear black shading compensation values.
		TEST OUT SELECT	VBS/Y/R/G/B/ LCD	Selects the signal output of the TEST OUT connector.
		MASTER GAIN(TMP)	-6dB/-3dB/ <b>0dB</b> / 3dB/6dB/9dB/ 12dB/18dB/ 24dB/30dB/ 36dB/42dB	Temporarily sets the master gain value.
21	APR	APR	EXEC	Suppresses white flecks by executing the automatic pixel noise reduction function.
		APR(SLS)	EXEC	Suppresses white flecks in SLS (Slow Speed Shutter) mode by executing the automatic pixel noise reduction function.
		APR PRESET	EXEC	Deletes white flecks data that was added by execution of the APR and automatic black balance adjustment functions.
22	NETWORK	DHCP	ENABLE/ <b>DISABLE</b>	Selects whether to enable automatic acquisition of the IP address from a DHCP server.
		IP ADDRESS	xxx.xxx.xxx.xxx <b>192.168.1.10</b>	Sets the IP address.
		SUBNET MASK	xxx.xxx.xxx.xxx <b>255.255.255.0</b>	Sets the subnet mask.
		DEF.GATEWAY	xxx.xxx.xxx.xxx <b>0.0.0.0</b>	Sets the default gateway.
		LINK SPEED	<b>AUTO</b> /10Mbps/ 100Mbps	Sets the communications speed.
		DUPLEX	<b>AUTO</b> /FULL/ HALF	Sets the duplex mode.

**Note**

The execution time for this function is about 30 minutes. More time may be required when temperatures inside the unit are low.

No.	Page	Item	Settings	Description
23	UP CONVERTER	UP CON PROCESS	FIELD/ADPT	Selects the conversion source picture when SD is upconverted to HD. <b>FIELD:</b> Use the field picture. <b>ADPT:</b> Optimize the ratio of conversion from the frame or field picture.
		UC DETAIL LEVEL	(-99 to 99)	Adjusts the sharpness of edge enhancement by the upconverter.
		UC CRISPENING	(-8 to 7)	Sets the amplitude width at which the upconverter does not emphasize low-amplitude signals.
		UC DETAIL LIMIT	(-99 to 99)	Sets the maximum level of edge enhancement by the upconverter.
		UC LV DEPEND LVL	(-8 to 7)	Sets the luminance of edge enhancement by the upconverter.
		UC DTL FREQUENCY	3.2M/4.5M/ 5.0M/4.0M	Sets the center frequency and frequency properties of edge enhancement by the upconverter. <b>3.2M:</b> $3.2 \pm 1.1$ MHz <b>4.5M:</b> $4.5 \pm 1.4$ MHz <b>5.0M:</b> $5.0 \pm 0.7$ MHz <b>4.0M:</b> $4.0 \pm 2.0$ MHz
		UC DTL H/V RATIO	(-3 to 4)	Sets the horizontal/vertical ratio of edge enhancement by the upconverter.

- a) The setting of this item is overridden by the setting of Other BEFORE END when TYPE DETECTION in the BATTERY 2 page is set to "OTHER".
- b) The setting of this item is overridden by the setting of Other END when TYPE DETECTION in the BATTERY 2 page is set to "OTHER".
- c) When TYPE DETECTION in the BATTERY 2 page is set to "AUTO", any batteries other than Sony BP-series batteries and Anton Bauer intelligent battery systems are classified as "Others".

- d) Flashes once per second when the battery status is "BEFORE END", and flashes 4 times per second when the battery status is "END".
- e) A setting for this item is required when AU CH34 AGC MODE in the AUDIO-2 page is set to OFF.
- f) A setting for this item is required when the DWR-S01D Digital Wireless Receiver is installed.
- g) SDI OUT 1 SELECT or SDI OUT 2 SELECT in the OUTPUT 1 page of the OPERATION menu must be set to HDSDI.

## FILE menu

No.	Page	Item	Settings	Description
01	USER FILE	USER FILE LOAD	EXEC	<i>For details, see "Saving and Recalling User Files" on page 186.</i>
		USER FILE SAVE	EXEC	
		F.ID	<b>Blank</b> /up to 16 characters	
		USER PRESET	EXEC	<i>For details, see "Resetting USER menu settings to the standard settings" on page 170.</i>

No.	Page	Item	Settings	Description
02	USER FILE 2	STORE USR PRESET	EXEC	Save settings for items on pages registered in the USER menu as the standard settings.
		CLEAR USR PRESET	EXEC	Clear the standard setting of pages registered in the USER menu.
		CUSTOMIZE RESET	EXEC	Return the pages registered in the USER menu to the factory default state.
		LOAD CUSTOM DATA	OFF/ON	Selects whether to load page and item customization data when USER FILE LOAD on the USER FILE page is executed.
		LOAD OUT OF USER	OFF/ON	Selects whether to load data for items on pages not registered in the USER menu when USER FILE LOAD on the USER FILE page is executed.
		BEFORE FILE PAGE	OFF/ON	Selects whether to load data for items on the pages beyond USER FILE in the USER menu when USER FILE LOAD on the USER FILE page is executed.
		USER LOAD WHITE	OFF/ON	Selects whether to load white balance data when USER FILE LOAD on the USER FILE page is executed.
03	ALL FILE	ALL FILE LOAD	–	Load ALL file.
		ALL FILE SAVE	–	Save ALL file.
		F.ID	Blank/up to 16 characters	Name ALL file.
		ALL PRESET	EXEC	Return all items to preset values.
		STORE ALL PRESET	EXEC	Save the current settings of all items as preset values.
		CLEAR ALL PRESET	EXEC	Clear the preset values of all items.
		3SEC CLR PRESET	OFF/ON	Turns the following function on and off: When the CANCEL/PRST/ESCAPE switch is held on the CANCEL/PRST side for three seconds, clear the preset values of each item.
		NETWORK DATA	OFF/ON	Selects whether or not to read in the network-related data.

No.	Page	Item	Settings	Description
04	SCENE FILE	1	STANDARD	<i>For details, see “Saving and Loading Scene Files” on page 189.</i>
		2	STANDARD	
		3	STANDARD	
		4	STANDARD	
		5	STANDARD	
		STANDARD	–	
		SCENE RECALL	–	
		SCENE STORE	–	
		F.ID	STANDARD	
05	REFERENCE	REFERENCE STORE	EXEC	Save reference file saved in the “Memory Stick” in internal memory.
		REFERENCE CLEAR	EXEC	Clear reference file.
		REFERENCE LOAD	EXEC	Load reference file.
		REFERENCE SAVE	EXEC	Save reference file to “Memory Stick”.
		F.ID	<b>Blank</b> /up to 16 characters	Enter reference file name.
		SCENE WHITE DATA	<b>OFF/ON</b>	Selects whether to load white balance data when SCENE RECALL or STANDARD on the SCENE FILE page is executed.

No.	Page	Item	Settings	Description
06	LENS FILE 1	LENS FILE RECALL	EXEC	Load lens file.
		LENS FILE STORE	EXEC	Save lens file.
		F.ID	<b>No Offset</b> /up to 16 characters	Sets the name of the last selected lens file.
		SOURCE	MEMORY1	Displays the number of last loaded lens file.
		LENS NO OFFSET	EXEC	Clear lens file.
		LENS AUTO RECALL	<b>OFF/ON/S.No</b>	Specifies whether to automatically load the lens file of a lens that supports serial communications. <b>OFF:</b> Do not use the lens file function. <b>ON:</b> Load the lens file corresponding to the lens model name, and reflect the contents of the file. <b>S.No:</b> If the lens can communicate its serial number, load the lens file corresponding to the lens model name and serial number, and reflect the contents of the file. If the lens serial number cannot be communicated, load the lens file corresponding to the lens model name (same as the ON setting).
		L.ID	EXEC	Display the name of the connected lens that supports serial communications.
		L.MF	EXEC	Display the manufacturer of the connected lens that supports serial communications.
07	LENS FILE 2	LENS M VMOD <sup>a)</sup>	(-99 to 99)	Adjusts the lens file V SAW shading compensation.
		LENS CENTER H <sup>a)</sup>	-480 to <b>0</b> to 479	Compensates the horizontal position of lens file center marker.
		LENS CENTER V <sup>a)</sup>	-270 to <b>0</b> to 269	Compensates the vertical position of lens file center marker.
		TEST OUT SELECT	<b>VBS/Y/R/G/B/LCD</b>	Selects the signal output of the TEST OUT connector.
		LENS R FLARE <sup>a)</sup>	(-99 to 99)	Adjusts the lens file flare (R).
		LENS G FLARE <sup>a)</sup>	(-99 to 99)	Adjusts the lens file flare (G).
		LENS B FLARE <sup>a)</sup>	(-99 to 99)	Adjusts the lens file flare (B).
		LENS W-R OFST <sup>a)</sup>	(-99 to 99)	Adjusts the white balance (R) compensation value of the lens file.
		LENS W-B OFST <sup>a)</sup>	(-99 to 99)	Adjusts the white balance (B) compensation value of the lens file.



No.	Page	Item	Settings	Description
08	LENS FILE 3	SHADING CH SEL	R/G/B/TEST	Selects the channel adjusted by this menu. If TEST is selected, the setting is linked to the setting of TEST OUT SELECT.
		TEST OUT SELECT	VBS/Y/R/G/B/LCD	Selects the signal output of the TEST OUT connector.
		LENS R/G/B H SAW <sup>a)</sup> (-99 to 99)		Adjusts the H Saw white shading compensation.
		LENS R/G/B H PARA <sup>a)</sup>	(-99 to 99)	Adjusts the H Parabola white shading compensation.
		LENS R/G/B V SAW <sup>a)</sup> (-99 to 99)		Adjusts the V Saw white shading compensation.
		LENS R/G/B V PARA <sup>a)</sup>	(-99 to 99)	Adjusts the V Parabola white shading compensation.
09	MEMORY STICK	M.S. FORMAT	EXEC	Format "Memory Stick".
		M.S. IN > JUMP TO	OFF/USER/ALL/ SCENE/LENS/REFER/ USER1	<i>For details, see "Jumping to a File-Related Menu Page When Inserting a "Memory Stick" on page 192.</i>

a) "EX" is displayed when the extender is on, and "08" is displayed when the shrinker is on.

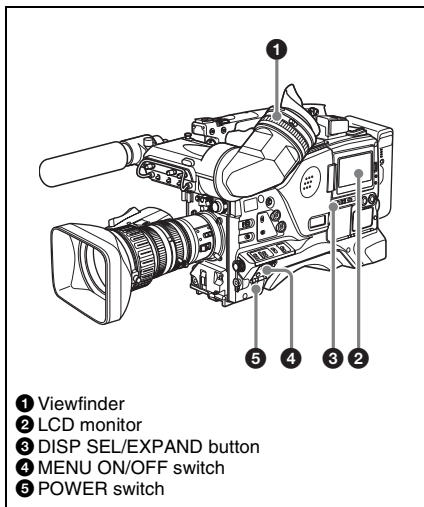
## DIAGNOSIS menu

No.	Page	Item	Description
01	HOURS METER	OPERATION	Displays the total time that this unit has been powered on, in units of hours.
		LASER	Displays the total number of output parameters to the optical heads.
		OPERATION (rst)	Displays the total time that this unit has been powered on, in units of hours (reset possible).
		SPINDLE (rst)	Displays the total time that the spindle has been rotating, in units of hours (reset possible).
		LOADING (rst)	Displays the number of times that discs have been loaded (reset possible).
		SEEK (rst)	Displays the total seek time by the optical heads, in units of hours (reset possible).
		02	TIME/DATE
HOUR			
MIN			
SEC			
YEAR			
MONTH			
DAY			

No.	Page	Item	Description
03	ROM VERSION 1	PACKAGE: X.XX	Displays ROM version.
		SY1: X.XX	
		SY2K: X.XX	
		SY2U: X.XX	
		DRV: X.XX	
		AT: X.XX	
		FP: X.XX	
04	ROM VERSION 2	LVIS: X.XX	
		TSYS: X.XX	
		TMBP: X.XX	
		FAM: X.XX	
		LABY: X.XX	
		BRDG: X.XX	
		PIER: X.XX	
CAVA: X.XX			
05	ROM VERSION 3	DSP0: X.XX	
		DSP2: X.XX	
		PRXA: X.XX	
06	DEV STATUS	I/O: MS, FP, CN, DCP, VF	Displays the status of each internal device of this unit.
		D/A: DCP1, DCP2, DCP3	
		EEPROM: CN, DCP, DR	
		FRAM: AT	
		FAN: MB	
		LSI: DCP1, DCP2, DCP3, DCP4, TG	
		SCI: SY, RM	
07	OPTION	HD/SD-SDI INPUT	○ appears when the optional CBK-HD01 HD/SD SDI Input Board is installed.
		COMPOSITE INPUT	○ appears when the optional CBK-SC02 Analog Composite Input Board is installed.
		SD REC & PB	○ appears when the optional CBKZ-MD01 SD Record and Playback Software is installed.

# Menu Operations

## Displaying menus



To use the MENU ON/OFF switch, open the cover of the menu operating section.

When the camcorder is powered on, set the MENU ON/OFF switch to ON to display the menu on the viewfinder screen and the LCD monitor.

If this is the first time the menu has been used after the camcorder has been powered on, the USER menu is displayed. If the menu has been used before, the last accessed page appears.

### When the menu is not displayed on the LCD monitor

Press the DISP SEL/EXPAND button below the LCD monitor to select the CHAR display.

### To clear the menu display from the screen

Set the MENU ON/OFF switch to OFF. (When the cover of the menu operating section is closed, this switch is automatically set to OFF.)

When the DISPLAY of the DISPLAY/ASPECT switch on the viewfinder is set to ON, the display

indicating the current status of the camcorder appears on the viewfinder screen.

For details, see "Selecting the display items" on page 171.

### To display the TOP menu

With no menu displayed on the screen, hold down the MENU knob and set the MENU ON/OFF switch to ON.

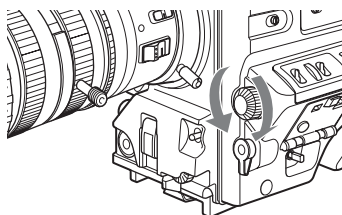
Depending on the internal switch settings, display of the TOP menu may be disabled. For details, refer to the Maintenance Manual.

## Basic menu operations

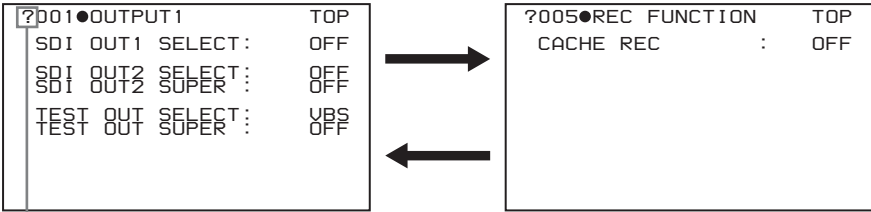
By pressing and turning the MENU knob, you can set various menu items. In the remainder of this section, the LCD monitor is generally shown as an example of the menu display, but a similar display also appears on the viewfinder screen.

### To select the setting items and values on the menu

Turn the MENU knob to select in the cases explained below.

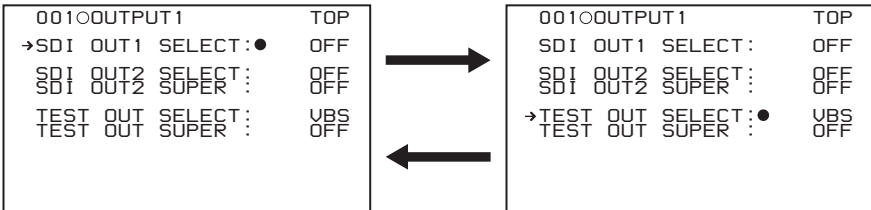


### To scroll pages



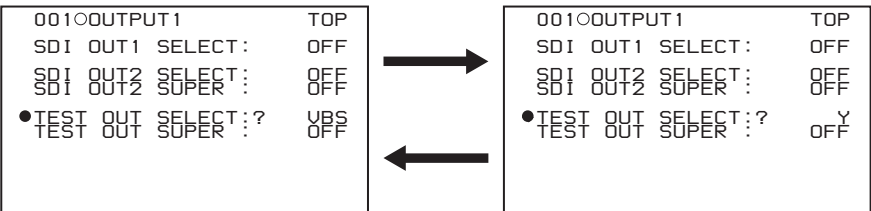
When ? blinks, turn the MENU knob to switch pages.

### To select a menu or setting item



When → appears, turn the MENU knob to move → up and down.

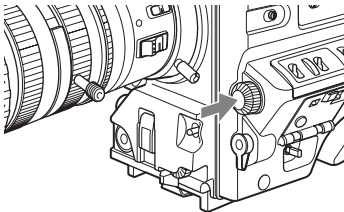
### To change a setting value



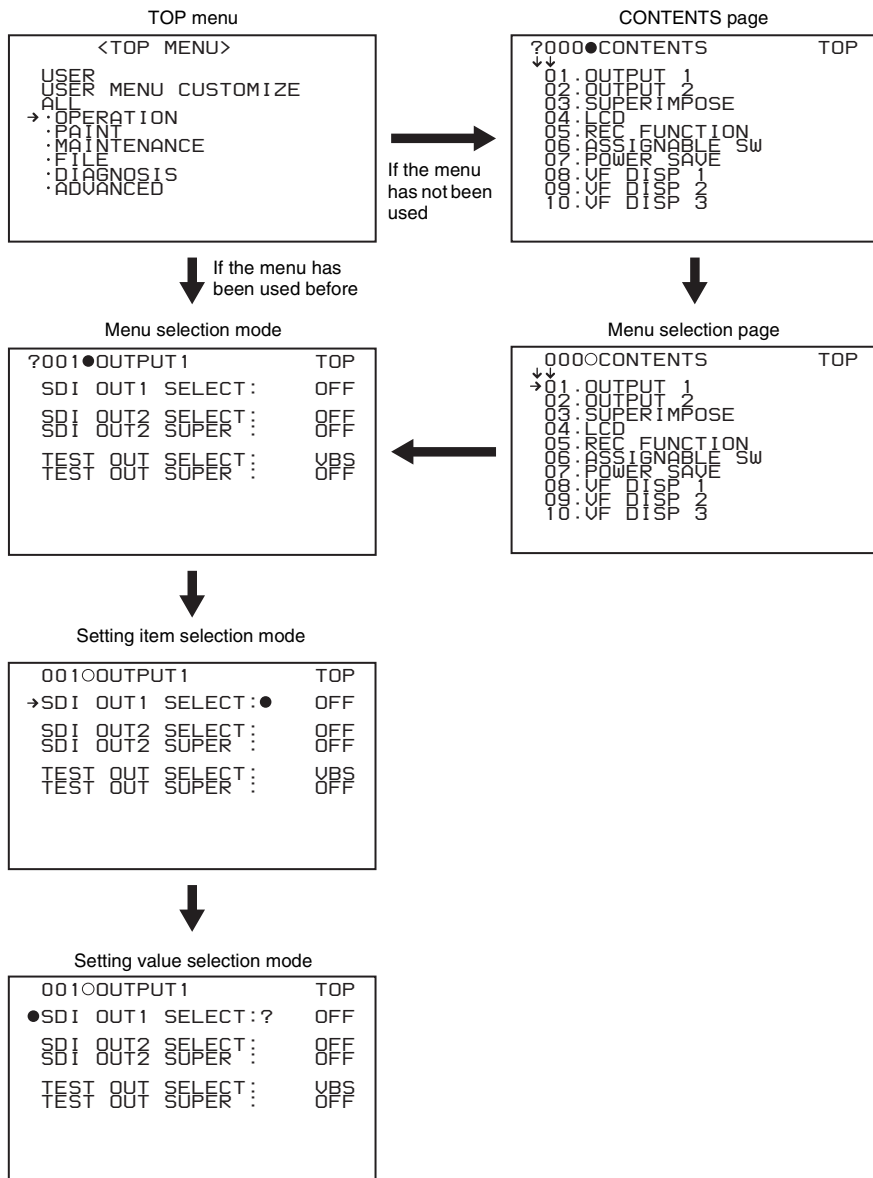
When ? blinks, turn the MENU knob to change the setting (ON/OFF, value, etc.).

### To confirm the selection of a menu, a setting item, or a setting value

Each time you press the MENU knob, the menu display switches in the following sequence.



## Example: When using the OPERATION menu



### Note

If the TOP menu has not been displayed since the camcorder is powered on, "TOP" does not appear at the upper right on the above screen, and you cannot go to the TOP menu. In this case, follow the procedure in "To display the TOP menu" (page 163).

## To display the TOP menu when another menu is displayed

Move  $\blacktriangleright$  to "TOP" displayed at the top right of each page of the menu, and press the MENU knob. Or flick the CANCEL/PRST/ESCAPE switch repeatedly to ESCAPE until the TOP menu is displayed.

### Using the USER menu (example menu operation)

This section explains menu operations using the USER menu as an example. The operations are the same for the ALL, OPERATION, PAINT, MAINTENANCE, and DIAGNOSIS menus.

For details about how to operate the USER MENU CUSTOMIZE menu, see "Editing the USER menu" (page 167).

#### 1 Set the MENU ON/OFF switch to ON.

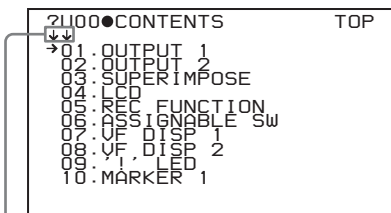
Normally, the USER menu appears.

If it does not, turn the MENU knob to move  $\blacktriangleright$  to USER in the TOP menu, and press the MENU knob.

If the USER menu has been used before, the last accessed page appears. In this case, go to step 2.

If this is the first time the USER menu has been displayed, the CONTENTS page of the USER menu appears. In this case, follow the procedure below.

- ① Press the MENU knob. Then turn the MENU knob to move  $\blacktriangleright$  to the desired page number.

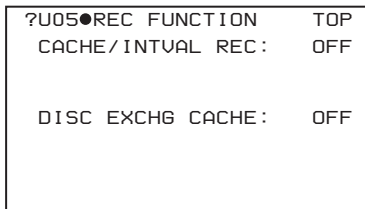


This indicates that the menu screen can be scrolled.

- ② Press the MENU knob again. The page selected in ① is displayed. Go to step 3.

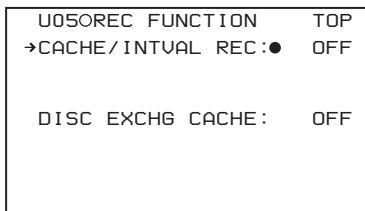
When you set items on the ALL, OPERATION, PAINT, MAINTENANCE, FILE, and DIAGNOSIS menus, move  $\blacktriangleright$  to the menu that contains the desired item in the TOP menu, and then press the MENU knob.

#### 2 Turn the MENU knob until the desired page appears.



#### 3 Press the MENU knob.

$\blacktriangleright$  and ● appear.



#### 4 Turn the MENU knob to move $\blacktriangleright$ to the desired item, and then press the MENU knob.

$\blacktriangleright$  changes to ●, and ● changes to ?.

#### 5 Turn the MENU knob to change the setting.

Depending on the direction of turning the knob, the setting value increases, decreases, switches between ON and OFF, and so on.

#### To interrupt changing the settings

Set the MENU ON/OFF switch to OFF.

By setting the MENU ON/OFF switch to ON again, the values that were displayed when you interrupted the setting operations will reappear so you can continue making settings.

#### 6 Press the MENU knob.

● changes to  $\blacktriangleright$ , and ? changes to ●. The selection is confirmed.

#### 7 To continue setting other items on the same page, repeat steps from 4 to 6.

## 8 To end the menu operation, set the MENU ON/OFF switch to OFF.

The menu disappears from the screen, and the display indicating the current status of the camcorder appears along the top and bottom of the screen.

### To cancel a change or return to the standard settings

#### Note

Depending on the setting item, in some cases only the function to return to the standard setting is valid.

## 1 Before pressing the MENU knob in step 6 of the above procedure, flick the CANCEL/PRST/ESCAPE switch to the CANCEL/PRST position.

The message "CANCEL DATA OK?" appears.

## 2 Flick the CANCEL/PRST/ESCAPE switch to the CANCEL/PRST position again.

The message "CANCEL DATA" appears to indicate that the change has been cancelled.

## 3 To return to the standard settings after pressing the MENU knob in step 6 of the above procedure, flick the CANCEL/PRST/ESCAPE switch to the CANCEL/PRST position.

The message "PRESET DATA OK?" appears on the screen.

## 4 Flick the CANCEL/PRST/ESCAPE switch to the CANCEL/PRST position again.

This returns to the standard settings.

### To move to another page

?U05●REC FUNCTION	TOP
CACHE/INTUAL REC :	OFF
DISC EXCHG CACHE :	OFF

#### When ? appears in front of the page number

Turn the MENU knob to switch pages.

#### When nothing appears in front of the page number

Turn the MENU knob to move ➔ to the page number, and press the MENU knob. Then turn the MENU knob to switch pages.

### Editing the USER menu

The USER MENU CUSTOMIZE menu allows you to configure a USER menu that consists only of pages and items that you need by adding, deleting or replacing the pages.

#### To add a new page

The USER MENU CUSTOMIZE menu allows you to add a new page to the USER menu. While the EDIT page contains factory-preset items, the EDIT USER 1 to EDIT USER 19 pages are all blank in their initial state. You can register up to 10 items, including blank lines, on each of these pages.

(How to select an item in the menu screen: Turn the MENU knob to move ➔ to the desired item.)

## 1 Display the TOP menu (see page 163).

## 2 Select USER MENU CUSTOMIZE, and press the MENU knob.

If this is the first time the USER MENU CUSTOMIZE menu has been displayed, the CONTENTS page of the menu appears.

?E00●CONTENTS	TOP
01 . EDIT USER 01	1
02 . EDIT USER 02	
03 . EDIT USER 03	
04 . EDIT USER 04	
05 . EDIT USER 05	
06 . EDIT USER 06	
07 . EDIT USER 07	
08 . EDIT USER 08	
09 . EDIT USER 09	
10 . EDIT USER 10	

If the USER MENU CUSTOMIZE menu has been used before, the last accessed page appears.

## 3 If the CONTENTS page is displayed, press the MENU knob. Then select one of EDIT USER 1 to EDIT USER 19, and press the MENU knob.

If a different page other than the CONTENTS page is displayed, turn the MENU knob until the desired page appears, then press the MENU knob.

Example: when the EDIT USER 9 page is selected

```
E100EDIT USER 9      TOP
→
```

- 4 Press the MENU knob. Then select the line where you want to add an item, and press the MENU knob.

The EDIT FUNCTION page appears.

```
EDIT FUNCTION      ESC
→ INSERT
  MOVE
  DELETE
  BLANK
```

- 5 Select INSERT, and press the MENU knob.

The following menu appears.

```
?P00●CONTENTS      TOP
↓ ↓
→ 01 . OUTPUT 1
  02 . SUPERIMPOSE
  03 . RECD
  04 . FUNCTION SW
  05 . ASSIGNABLE
  06 . POWER SAVE
  07 . VFT DISP 1
  08 . VFT DISP 2
  09 . VFT DISP 3
  10 . VFT DISP 3
```

- 6 Add the items as follows.

- ① Press the MENU knob, scroll the page until the desired item appears, and then press the MENU knob again.
- ② Press the MENU knob again, select the desired item, and then press the MENU knob.

The EDIT USER 9 page appears again, displaying the newly added item.

- 7 Repeat steps 4 to 6 to add the remaining items.

You can add up to 10 items on one page.

### To delete items from a page by using the CANCEL/PRST/ESCAPE switch

- 1 Follow steps 1 to 3 in “To add a new page” (page 167).
- 2 Press the MENU knob. Then select the item that you want to delete.
- 3 Flick the CANCEL/PRST/ESCAPE switch to the CANCEL/PRST position. The message “DELETE ITEM OK?” appears.
- 4 Flick the CANCEL/PRST/ESCAPE switch to the CANCEL/PRST position again.

### To delete items from a page by using the menu

- 1 Follow steps 1 to 3 in “To add a new page” (page 167).
- 2 Press the MENU knob. Then select the item that you want to delete, and press the MENU knob. The EDIT FUNCTION page appears.
- 3 Select DELETE, and press the MENU knob. The previously displayed page appears again, and the message “DELETE OK? YES → NO” appears.
- 4 Select YES, and press the MENU knob.

### To replace items on a page

- 1 Follow steps 1 to 3 in “To add a new page” (page 167).
- 2 Press the MENU knob. Then select the item that you want to replace, and press the MENU knob. The EDIT FUNCTION page appears.
- 3 Select MOVE, and press the MENU knob. The previously displayed page appears again.



#### 4 Select the position to which you want to move the item, and press the MENU knob.

The item selected in step 2 moves to the position that you selected in step 4.

#### To insert a blank line

- 1 Follow steps 1 to 3 in “To add a new page” (page 167).
- 2 Press the MENU knob. Then select the item that you want to replace, and press the MENU knob.  
The EDIT FUNCTION page appears.
- 3 Select BLANK, and press the MENU knob.  
The previously displayed page appears again, and a blank line is inserted above the specified item.

#### Note

You cannot insert a blank line on a page where 10 items have already been registered.

### To add/delete/replace pages

You can add a new page to the USER menu, delete a page from the USER menu, or replace pages, using the EDIT PAGE of the USER MENU CUSTOMIZE menu.

#### To add a page

(How to select an item in the menu screen: Turn the MENU knob to move  $\blacktriangleright$  to the desired item.)

- 1 Display the TOP menu (*see page 163*).
- 2 Select USER MENU CUSTOMIZE, and press the MENU knob.  
If this is the first time the USER MENU CUSTOMIZE menu has been displayed, the CONTENTS page appears. If the menu has been used before, the last accessed page appears.
- 3 If the CONTENTS page is displayed, press the MENU knob. Then select EDIT PAGE, and press the MENU knob.  
If a different page is displayed, turn the MENU knob until the EDIT PAGE screen appears.

The EDIT PAGE appears.

```
?E01●EDIT PAGE TOP
↓
01: OUTPUT 1
02: OUTPUT 2
03: SUPERIMPOSE
04: LCD
05: REC FUNCTION
06: ASSIGNABLE SW
07: VF DISP 1
08: VF DISP 2
09: LED
10: MARKER 1
```

- 4 Press the MENU knob. Then select the position where you want to add the page, and press the MENU knob.  
The EDIT FUNCTION page appears.
- 5 Select INSERT, and press the MENU knob.  
The CONTENTS page appears.
- 6 Select the desired page, and press the MENU knob.  
The number and name of the page selected in step 6 is added above the item selected in step 4.

#### To cancel adding a page

Before pressing the MENU knob in step 6, select ESC at the top right of the screen, and press the MENU knob.

The EDIT PAGE screen appears again.

#### To delete a page by using the CANCEL/PRST/ESCAPE switch

- 1 Follow steps 1 to 3 in “To add a page” (page 169).
- 2 Press the MENU knob. Then select the page that you want to delete.
- 3 Flick the CANCEL/PRST/ESCAPE switch to the CANCEL/PRST position.  
The message “DELETE PAGE OK?” appears.
- 4 Flick the CANCEL/PRST/ESCAPE switch to the CANCEL/PRST position again.

#### To delete a page by using the menu

- 1 Follow steps 1 to 3 in “To add a page” (page 169).

- 2 Press the MENU knob. Then select the page that you want to delete, and press the MENU knob.

The EDIT FUNCTION page appears.

- 3 Select DELETE, and press the MENU knob.

The previously displayed page appears again, and the message “DELETE OK? YES ➔ NO” appears at the upper right.

- 4 Select YES, and press the MENU knob. To replace pages

- 1 Follow steps 1 to 3 in “To add a page” (page 169).

- 2 Press the MENU knob. Then select the page that you want to move, and press the MENU knob.

The EDIT FUNCTION page appears.

- 3 Select MOVE, and press the MENU knob.

The previous screen appears again.

- 4 Select the position to which you want to move the page, and press the MENU knob.

The page selected in step 2 is moved to the position.

### To rename pages

The names of pages (USER 1 to USER 19) created with EDIT USER 1 to EDIT USER 19 can be changed. (The maximum name length is 15 characters.)

#### Note

The ASSIGN ITEM SEL page cannot be renamed.

- 1 Display the EDIT PAGE NAME1 or EDIT PAGE NAME2 of the USER MENU CUSTOMIZE menu.

**EDIT PAGE NAME1:** To rename USER1 to USER10

**EDIT PAGE NAME2:** To rename USER11 to USER19

```

E22OEDIT PAGE NAME1 TOP
➔USER 1 :DUS 1
USF 2 :US 2
USF 3 :US 3
USF 4 :US 4
USF 5 :US 5
USF 6 :US 6
USF 7 :US 7
USF 8 :US 8
USF 9 :US 9
USF 10 :US 10
USF 11 :US 11
USF 12 :US 12
USF 13 :US 13
USF 14 :US 14
USF 15 :US 15
USF 16 :US 16
USF 17 :US 17
USF 18 :US 18
USF 19 :US 19
USF 20 :US 20

```

For details on menu operations, see “Basic menu operations” on page 163.

- 2 Select the page that you want to rename (USER 1 to USER 19), and press the MENU knob.

A character table appears.

```

E22OEDIT PAGE NAME1 TOP
●USER 1 :?
USF 2 :US 2
USF 3 :US 3
USF 4 :US 4
USF 5 :US 5
!#$%&'()*+,-./012345678
9:;<=>?@ABCDEFGHIJKLMNPO
QRSTUVWXYZI*!#abcdefg hijk
lmnopqrstuvwxyz~
INS DEL RET ESC END

```

- 3 Follow steps 3 and 4 described in “Setting the shot ID” on page 175 to enter characters.

- 4 When you have finished entering the name, turn the MENU knob to move ■ to END, and press the MENU knob.

The entered name is now displayed.

```

E22OEDIT PAGE NAME1 TOP
➔USF 1 :D S P C I L I T E M
USF 2 :US 2
USF 3 :US 3
USF 4 :US 4
USF 5 :US 5
USF 6 :US 6
USF 7 :US 7
USF 8 :US 8
USF 9 :US 9
USF 10 :US 10
USF 11 :US 11
USF 12 :US 12
USF 13 :US 13
USF 14 :US 14
USF 15 :US 15
USF 16 :US 16
USF 17 :US 17
USF 18 :US 18
USF 19 :US 19
USF 20 :US 20

```

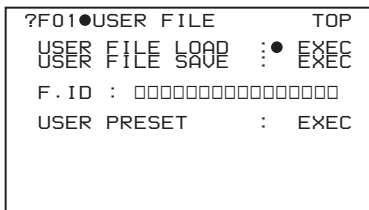
### Resetting USER menu settings to the standard settings

You can return all settings in the USER menu to standard settings.

(How to select an item in the menu screen: Turn the MENU knob to move ➔ to the desired item.)

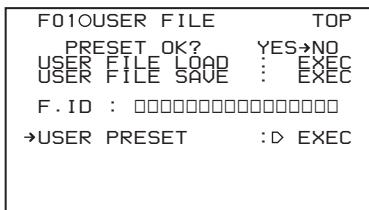
## 1 Display the USER FILE page of the FILE menu, and press the MENU knob.

For details on menu operations, see “Basic menu operations” on page 163.



## 2 Press the MENU knob, then select USER PRESET, and press the MENU knob.

The message “PRESET OK? YES → NO” appears.



## 3 Select YES, and press the MENU knob.

The message “COMPLETE” appears, and the settings for all items in the USER menu are reset to the standard settings.

# Setting the Status Display on the Viewfinder Screen and the LCD Monitor

This section explains the menu settings for the display of the viewfinder screen. These settings are also used for the display of the LCD monitor in the same way.

## Selecting the display items

To select the items to be displayed on the viewfinder screen (with the viewfinder DISPLAY of the DISPLAY/ASPECT switch set to ON) and the LCD monitor, use the VF DISP 1, VF DISP 2, and VF DISP 3 pages of the OPERATION menu.

(How to select an item in the menu screen: Turn the MENU knob to move → to the desired item.)

## 1 Display the VF DISP 1, VF DISP 2, or VF DISP 3 page of the OPERATION menu, and press the MENU knob.

For details on menu operations, see “Basic menu operations” on page 163.

## 2 Select the desired setting item, and press the MENU knob.

On the VF DISP 1, VF DISP 2, and VF DISP 3 pages, you can select any of the following items to turn its display on or off.

### VF DISP 1 page

Item	Description
VF DISP	Turning on or off the viewfinder display <sup>a)</sup>
VF DISPLAY MODE	Selecting the display mode <sup>b)</sup>
DISP EXTENDER	Extender indicator
DISP FILTER	Types of the ND filter
DISP WHITE	White balance memory indicator
DISP GAIN	Gain indicator
DISP SHUTTER	Shutter speed and ECS mode indicator
DISP AUDIO	Audio level indicator

Item	Description
DISP DISC	Remaining disc capacity indicator
DISP IRIS	Iris opening indicator

- a) The viewfinder display can be also turned on or off by using the DISPLAY of the DISPLAY/ASPECT switch on the viewfinder.
- b) For detailed information on the display mode, see “Change confirmation/adjustment progress messages” (page 172).

### VF DISP 2 page

Item	Description
DISP ZOOM	Zoom position indicator
DISP COLOR TEMP	Displays the color temperature.
DISP BATT REMAIN <sup>a)</sup>	Displays the battery voltage/remaining capacity of an internal battery pack or an external battery connected to the DC IN connector.
DISP DC IN	Displayed when the power is supplied from an external battery connected to the DC IN connector.
DISP 16:9/4:3 ID	Displays the video aspect ratio (16:9 or 4:3). (When the CBKZ-MD01 is installed.)
DISP WRR RF LVL	Displays the reception level of the wireless microphone.
DISP REC FORMAT	Displays the recording format.
DISP CLIP NO(PB)	Displays clip information.
DISP TIMECODE	Displays the timecode.

- a) When an Anton Bauer battery system or a BP-GL65/GL95 battery pack is installed, the remaining battery power is shown as a percentage value (%) according to the setting of this item.

**INT:** When one of the above batteries is installed, the remaining power is shown as a percentage value (%) when there is a change in the value or when the power is low.

**AUTO:** The remaining power is shown as a percentage value (%) when one of the above batteries is installed. Otherwise the voltage (VOLT) is displayed continuously.

**VOLT:** The voltage (VOLT) is displayed continuously.

### VF DISP 3 page

Item	Description
LOW LIGHT	Turns on and off the on-screen warning that the average level of the video has dropped beneath a set level.
LOW LIGHT LEVEL	Sets the LOW LIGHT threshold value.
VF BATT WARNING	Specifies the remaining battery capacity level that starts the flashing warning in the viewfinder.
ABSOLUTE VALUE	Turns on and off the mode that displays numeric menu settings as absolute values. <sup>a)</sup>

- a) This makes it possible to display settings that include reference settings, stored with STORE ALL PRESET or other functions, as absolute values.

**3 Turn the MENU knob to select the desired setting (ON, OFF, or value), and press the MENU knob.**

**4 Repeat steps 2 and 3 until you have set all of the desired items.**

## Change confirmation/adjustment progress messages

You can limit or suppress the messages that give details of setting changes and adjustment progress and results by setting a display mode. The conditions under which messages are displayed and their correspondence with the display mode are as follows:

Y: Message is displayed.

N: Message is not displayed.

Message display condition	Message	Display mode setting		
		1	2	3
When the filter selection has been changed	FILTER: n (where n = 1, 2, 3, 4)	N	N	Y

Message display condition	Message	Display mode setting		
		1	2	3
When the gain setting has been changed	GAIN: n (where n = -6dB, -3dB, 0dB, 3dB, 6dB, 9dB, 12dB, 18dB, 24dB, 30dB, 36dB, 42dB)	N	N	Y
When the setting of the WHITE BAL switch has been changed	WHITE: n (where n = A CH, B CH, PRESET) or ATW: RUN	N	N	Y
When the OUTPUT/DCC switch has been set to DCC ON or OFF	DCC: ON (or OFF)	N	Y	Y
When the shutter speed and mode setting has been changed <sup>a)</sup>	:SHUTTER: 1/100 (or 1/125, 1/250, 1/500, 1/1000, 1/2000, ECS)	N	Y	Y
When the black or white balance has been adjusted	E.g. AWB : OK	N	Y	Y

a) This is also displayed for about 3 seconds when the SHUTTER selector is set to ON.

## Changing the display mode

### 1 Display the VF DISP 1 page of the OPERATION menu, and press the MENU knob.

For details on menu operations, see "Basic menu operations" on page 163.

### 2 Select VF DISP MODE, and press the MENU knob.

### 3 Select the desired display mode, and press the MENU knob.

## Setting the marker display

Switch the display of the center and safety zone markers on or off, and select whether the area indicated by the safety zone marker is 80%, 90%, 92.5%, or 95% of the screen area.

(How to select an item in the menu screen: Turn the MENU knob to move  $\blacktriangleright$  to the desired item.)

### 1 Display the MARKER 1 or MARKER 2 page of the OPERATION menu, and press the MENU knob.

For details on menu operations, see "Basic menu operations" on page 163.

### 2 Select the desired item, and press the MENU knob.

You can set the following items on the MARKER 1 and MARKER 2 pages.

#### MARKER 1 page

Item	Description
MARKER	To hide all markers, set to "OFF".
CENTER	To display the center marker, set to "ON".
CENTER MARK	Selects the position of the center marker.
SAFETY ZONE	To display the safety zone, set to "ON".
SAFETY AREA	Selects the safety zone range (80%, 90%, 92.5% or 95%).
ASPECT	To display the aspect marker, set to "ON".
ASPECT SELECT	Selects the aspect mode (15:9/14:9/13:9/4:3/1.85/2.35).
ASPECT MASK <sup>a)</sup>	To make the areas out of the selected aspect marker dimmer, set to "ON".
ASPECT MASK LVL	To set the mask level, when the ASPECT MASK is set to "ON".
100 % MARKER	To display the effective pixel area, set to "ON".

- a) The ASPECT MASK setting affects the viewfinder and LCD monitor display. In the following cases, it also affects the VBS signal.
- When TEST OUT SELECT on the OUTPUT 1 page is set to VBS.
  - When both TEST OUT SUPER on the OUTPUT 1 page and SUPER(MARKER) on the SUPER IMPOSE page are set to ON. ASPECT MASK is ignored for displays in the viewfinder when the following are true.
  - TEST OUT SELECT on the OUTPUT 1 page is set to HD-Y, and a cable is connected to the TEST OUT connector.
  - TEST OUT SELECT on the OUTPUT 1 page is set to HD-Y, and TEST OUT SAVE on the POWER SAVE page is set to OFF.

**Note**

The four items ASPECT, ASPECT SELECT, ASPECT MASK, and ASPECT MASK LVL are ignored when the recording format is IMX50/40/30 or DVCAM and the aspect ratio is 4:3.

**MARKER 2 page**

Item	Description
USER BOX	Turns the display of the box cursor on and off.
USER BOX WIDTH	Sets the width of the box cursor (distance from center to left or right edge).
USER BOX HEIGHT	Sets the height of the box cursor (distance from center to top or bottom edge).
USER BOX H POS	Sets the horizontal position of the center of the box cursor.
USER BOX V POS	Sets the vertical position of the center of the box cursor.
CENTER H POS	Sets the horizontal position of the center marker.
CENTER V POS	Sets the vertical position of the center marker.
ASPECT SAFE ZONE	Turns the display of the aspect safety zone on and off.
ASPECT SAFE AREA	Selects the range of the aspect safety zone (80%/90%/92.5%/95%).

- 3 Turn the MENU knob to change the setting, and press the MENU knob.
- 4 Repeat steps 2 and 3 until you have set all of the desired items.

**Setting the viewfinder**

You can make settings for viewfinder screen display functions.  
(How to select an item in the menu screen: Turn the MENU knob to move ➔ to the desired item.)

- 1 Display the VF SETTING page of the OPERATION menu, and press the MENU knob.

*For details on menu operations, see "Basic menu operations" on page 163.*

- 2 Select the desired item, and press the MENU knob.

You can set the following items on the VF SETTING page.

Item	Description
ZEBRA	Turns the zebra display on or off. <sup>a)</sup>
ZEBRA SELECT	Selects ZEBRA 1, ZEBRA 2 or BOTH.
ZEBRA 1 DET. LVL	Adjusts the level of the zebra 1 (20% to 70% to 107%) display.
ZEBRA 1 APT. LVL	Adjusts the aperture level of the zebra 1 display. (1% to 10% to 20%)
ZEBRA 2 DET. LVL	Adjusts the level of the zebra 2 (52% to 100% to 109%) display.
VF DETAIL LEVEL	Adjusts the sharpness of the viewfinder (-99 to 99).
VF ASPECT (SD)	Specifies whether to set the viewfinder screen and LCD monitor aspect ratio automatically or to set it to 16:9 when the IMX50/40/30 or DVCAM recording format is selected. When "16:9" is selected, then the screen is always displayed as a 16:9 screen (before being cut out to 4:3), even when ASPECT RATIO (SD) is set to "4:3".

a) When you use the viewfinder which is not equipped with the ZEBRA switch, turns the display on or off using this item. When you use the viewfinder with the ZEBRA switch, the most recent operation of the ZEBRA switch and this menu operation is effective.

- 3 Turn the MENU knob to change the setting, and press the MENU knob.
- 4 Repeat steps 2 and 3 until you have set all of the desired items.

**Recording shot data superimposed on the color bars**

In the SHOT DISP page of the USER menu, you can select which shot data is recorded superimposed on the color bars. You can also select which of the shot IDs (1 to 4) set in the SHOT DATA page is recorded superimposed on the picture.

(How to select an item in the menu screen: Turn the MENU knob to move ➔ to the desired item.)

**1 Display the SHOT DISP page of the OPERATION menu, and press the MENU knob.**

For details on menu operations, see “Basic menu operations” on page 163.

**2 Select the desired item, and press the MENU knob.**

You can set the following items on the SHOT DISP page.

Item	Description
SHOT DATE	Selects whether or not the shot data is superimposed (ON or OFF).
SHOT TIME	Selects whether or not shot time is superimposed (ON or OFF).
SHOT MODEL NAME	Selects whether or not the model name is superimposed (ON or OFF).
SHOT SERIAL NO.	Selects whether or not the serial number is superimposed (ON or OFF).
SHOT ID SEL	Selects whether or not the shot ID set on the SHOT ID page is superimposed. <sup>a)</sup>
SHOT 16:9 CHARA	Turns the following function on and off: When displaying aspect ratio 4:3 video, record superimposed “16:9” in the locations where 16:9 video is cut.
SHOT BLINK CHARA	Selects whether or not the blinking * is superimposed (ON or OFF).

a) To carry out superimposed recording, select the SHOT ID number (1 to 4). Not to carry out superimposed recording, select “OFF”.

**3 Turn the MENU knob to select whether or not to record the selected item superimposed on the color bars or the SHOT ID number, and press the MENU knob.**

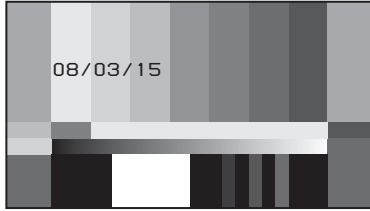
**4 Repeat steps 2 and 3 until you have set all of the desired items.**

**To carry out superimposed recording**

To actually record the items selected for superimposed recording on the SHOT DISP page, set the OUTPUT/DCC switch to BARS, DCC OFF.

The items selected for superimposed recording appear on the screen and are recorded superimposed on the color bars.

Example display: when SHOT DATA is set to ON



**Setting the shot ID**

You can set a shot ID of up to 12 alphanumeric characters, spaces, and symbols. When the OUTPUT/DCC switch is set to BARS, DCC OFF, this shot ID is output with the color bar signal. You can set four shot IDs (ID-1 to ID-4).

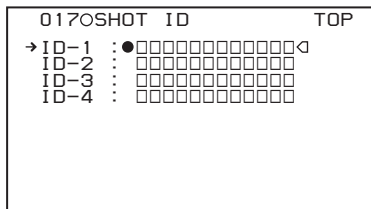
**Note**

When the menu is displayed, the shot ID is not displayed even if the color bar signal is output.

(How to select an item in the menu screen: Turn the MENU knob to move ➔ to the desired item.)

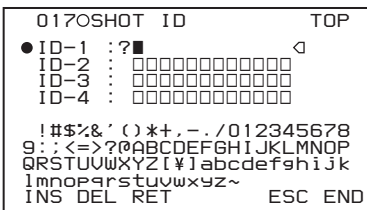
**1 Display the SHOT ID page of the OPERATION menu, and press the MENU knob.**

For details on menu operations, see “Basic menu operations” on page 163.



## 2 Select one of ID-1 to ID-4, and press the MENU knob.

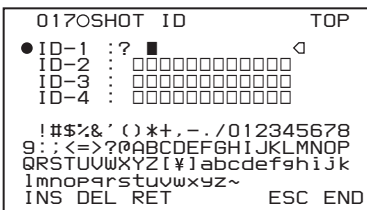
A ■ mark appears over the first character position in the string, and characters can now be input.



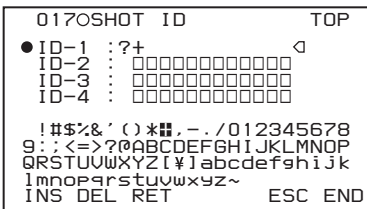
## 3 Enter or change the shot ID.

When you are entering the whole shot ID, go to ②.

- ① Turn the MENU knob to move the ■ mark to the character which you want to change, then press the MENU knob.



- ② Turn the MENU knob until the ■ mark moves to the character position that you want to select, then press the MENU knob.



## 4 Repeat step 3 for each of the remaining characters.

## 5 When the input is complete, turn the MENU knob to move the ■ mark over END, then press the MENU knob.

This ends the input, and returns to the original SHOT ID page.

## To insert a space

In step 3 above, move the ■ mark over INS, and press the MENU knob.

To cancel inserting a space, move the ■ mark over RET, then press the MENU knob.

## To delete a character

In step 3 of "Setting the shot ID" (page 175), move the ■ mark over DEL, and press the MENU knob.

This deletes the character under the ■ mark in the shot ID row.

To cancel deleting the character, move the ■ mark over RET, and press the MENU knob.

## To cancel changing shot ID

Before executing step 5 of "Setting the shot ID" (page 175), move the ➔ mark over ESC, then press the MENU knob or flick the CANCEL/PRST/ESCAPE switch to ESCAPE.

## Displaying the status confirmation screens

You can confirm the settings or status of the camcorder on the LCDs by displaying the following four screen.

### ABNORMAL <!> screen

This window allows you to confirm why the ! (warning) indicator lights in the viewfinder. You can use the '!' LED page of the OPERATION menu to set whether or not the ! (warning) indicator lights.

### SYSTEM screen

This screen displays information such as the system frequency, the recording format, whether output from the TEST OUT connector is on or off, and the type of output signal.

### FUNCTION screen

This screen displays the functions assigned to the ASSIGN switches, the detection level, and other information.

### AUDIO STATUS screen

This screen allows you to confirm the following items related to audio.

- Audio bit rate
- Setting condition of DF/NDF
- Type of front microphone



- Type of input signal to audio channels 1 to 4
- Input level of audio channels 1 to 4

You can use the SET STATUS page of the OPERATION menu to set whether or not the status confirmation screens are displayed.

---

### To display the status confirmation screens

---

You can use the CANCEL/PRST/ESCAPE switch as the STATUS ON/SEL/OFF switch when the MENU ON/OFF switch is set to OFF (when the cover of the menu operating section is closed, OFF is automatically selected).

---

### To disable display of the status confirmation screens

---

(How to select an item in the menu screen: Turn the MENU knob to move ➡ to the desired item.)

#### 1 Display the SET STATUS page of the OPERATION menu, and press the MENU knob.

*For details on menu operations, see “Basic menu operations” on page 163.*

#### 2 Select the desired item, and press the MENU knob.

You can set the following items on the SET STATUS page.

Item	Description
STATUS ABNORMAL	Selects whether or not the ABNORMAL window is displayed (ON or OFF).
STATUS SYSTEM	Displays (ON) or hides (OFF) the SYSTEM menu.
STATUS FUNCTION	Selects whether or not the FUNCTION window is displayed (ON or OFF).
STATUS AUDIO	Selects whether or not the STATUS AUDIO window is displayed (ON or OFF).

#### 3 Turn the MENU knob to change the setting, and press the MENU knob.

#### 4 Repeat steps 2 and 3 until you have set all of the desired items.

## Adjustments and Settings From Menus

### Setting gain values for the GAIN selector positions

You can set the gain values for the L, M, and H positions of the GAIN selector, which switches the gain of the video amplifier.

(How to select an item in the menu screen: Turn the MENU knob to move ➡ to the desired item.)

#### 1 Display the GAIN SW page of the OPERATION menu, and press the MENU knob.

*For details on menu operations, see “Basic menu operations” on page 163.*

#### 2 Select the item for the switch position, then press the MENU knob.

You can set the following items on the GAIN SW page.

Item	Description
GAIN LOW	Sets the gain value corresponding to the L position of the GAIN selector.
GAIN MID	Sets the gain value corresponding to the M position of the GAIN selector.
GAIN HIGH	Sets the gain value corresponding to the H position of the GAIN selector.
GAIN TURBO	Sets the gain value corresponding to TURBO GAIN function.

Item	Description
TURBO SW IND	<p><b>OFF:</b> When you operate the GAIN selector after pressing the button to which the TURBO GAIN function has been assigned once, the video gain is changed according to the GAIN selector operation.</p> <p><b>ON:</b> When the video gain is boosted to the video gain to the value preset by pressing the button to which the TURBO GAIN function has been assigned once, the video gain is not changed even if you operate the GAIN selector, until you press the button once more.</p>
SHOCK-LESS GAIN	Turns shockless gain on or off.

### 3 Turn the MENU knob to select the gain value, and press MENU knob.

Any of -6, -3, 0, 3, 6, 9, 12, 18, 24, 30, 36 or 42 dB can be set for each of the L, M, H, and TURBO positions, in any sequence.

### 4 Repeat steps 2 and 3 until you have set all of the desired items.

## Selecting the output signals

(How to select an item in the menu screen: Turn the MENU knob to move ➡ to the desired item.)

### 1 Display the OUTPUT 1 page of the OPERATION menu, and press the MENU knob.

For details on menu operations, see "Basic menu operations" on page 163.

### 2 Select the desired item, and press the MENU knob.

You can set the following items on the OUTPUT 1 page.

Item	Setting
SDI OUT 1 SELECT	<p>Selects the signal output from the SDI OUT1 connector.</p> <p><b>OFF:</b> Do not output video.</p> <p><b>HD-SDI:</b> Output HD-SDI.</p> <p><b>SD-SDI:</b> Output SD-SDI</p>
SDI OUT 2 SELECT	<p>Selects the signal output from the SDI OUT2 connector.</p> <p><b>OFF:</b> Do not output video.</p> <p><b>HD-SDI:</b> Output HD-SDI.</p> <p><b>SD-SDI:</b> Output SD-SDI</p>
SDI OUT 2 SUPER	<p>Selects whether to superimpose (ON) or not superimpose (OFF) text information on the signal output from the SDI OUT2 connector.</p>
TEST OUT SELECT	<p>Selects the output signal from the TEST OUT connector.</p> <p><b>VBS:</b> Output composite video signal. When you select VBS, connect to the VIDEO IN connector of your monitor.</p> <p><b>Y:</b> Output HD-Y signal.</p> <p><b>R/G/B:</b> Output HD RGB signal.</p> <p><b>LCD:</b> Output a signal like the display in the LCD monitor.</p>
TEST OUT SUPER	<p>Selects whether to superimpose (ON) or not superimpose (OFF) text information on the signal output from the TEST OUT connector.</p>

### 3 Turn the MENU knob to change the setting, and press the MENU knob.

### 4 Repeat steps 2 and 3 until you have set all of the desired items.

## Assigning functions to ASSIGN switches

You can assign the desired function to any of the ASSIGN switches.

(How to select an item in the menu screen: Turn the MENU knob to move ➡ to the desired item.)

### 1 Display the ASSIGNABLE page of the OPERATION menu, and press the MENU knob.

For details on menu operations, see “Basic menu operations” on page 163.

You can assign functions by using the following items.

Item	Description
ASSIGN SW <1>	Assigns the function to ASSIGN 1 (push-type) switch.
ASSIGN SW <2>	Assigns the function to ASSIGN 2 (slide-type) switch.
ASSIGN SW <3>	Assigns the function to ASSIGN 3 (push-type) switch.
ASSIGN SW <4>	Assigns the function to ASSIGN 4 (push-type) switch.
ASSIGN SW <RET>	Assigns the function to RET button on the lens.
COLOR TEMP SW	Assigns the function to COLOR TEMP. button.

## 2 Select the desired switch or button, and press the MENU knob.

A selection screen for the selected switch or button appears. You can use these screens to assign one of the following functions.

### Functions to be assigned to the ASSIGN 1/3/4 (push-type) switch, COLOR TEMP. button, or RET button on the lens

Function	Description
OFF	Assigns no function.
FRONT MIC	Assigns the function that switches between stereo and monaural when a stereo microphone is connected.
PICTURE CACHE	Assigns execution of recording in picture cache mode.
SUPER (VFDISP& MENU)	Assigns a mixing switch function that selects mixing or no mixing of superimposed viewfinder and menu text data into the video signals output from the SDI OUT 2 or TEST OUT connector, when SDI OUT 2 SUPER or TEST OUT SUPER on the OUTPUT 1 page of the OPERATION menu are set to ON.

Function	Description
MARKER	Assigns the function that displays or hides all markers. <sup>a)</sup>
RETAKE <sup>b)</sup>	Assigns the function that deletes the last recorded clip.
ATW	Assigns the function that turns auto tracing white balance ON and OFF.
RETURN VIDEO	Assigns the function that displays in the viewfinder the HD-Y (1080i) signal input to the GENLOCK IN connector. <sup>c)</sup>
LENS RET	Assigns the functions executed by the RET button on the lens (recording review and so on).
REC SWITCH	Assigns the function that starts and stops recording.
TURBO SWITCH	Assigns the turbo gain function.
ZEBRA	Assigns the zebra pattern display function.
FREEZE MIX	Assigns the function that mixes a still picture (monochrome) and camera video (color) (effective for framing shots).
COLOR TEMP SW 3200K	Assigns the function that switches the white balance to 3200K.
COLOR TEMP SW 4300K	Assigns the function that switches the white balance to 4300K.
COLOR TEMP SW 5600K	Assigns the function that switches the white balance to 5600K.
COLOR TEMP SW 6300K	Assigns the function that switches the white balance to 6300K.
ELECTRICAL CC	Assigns the function that switches between electrical CC filters (3200K/4300K/5600K/6300K).
CC 5600K	Assigns the function that applies an electrical 5600 K filter.

Function	Description
ZOOM TELE/ WIDE <sup>d)</sup>	For use with a lens that supports serial communications, assign the ZOOM TELE setting to ASSIGN 3, and the WIDE setting to ASSIGN 4.
ZOOM WIDE/ TELE <sup>d)</sup>	For use with a lens that supports serial communications, assign the ZOOM WIDE setting to ASSIGN 3, and the TELE setting to ASSIGN 4.
SHOT MARK1	Assigns the function that records a SHOT MARK 1 essence mark.
SHOT MARK2	Assigns the function that records a SHOT MARK 2 essence mark.
CLIP FLAG OK	Assign the functions that set or clear OK, NG, and KEEP flags during recording or playback.
CLIP FLAG NG	
CLIP FLAG KEEP	
FOCUS MAG	Assigns the function that magnifies the central part of the viewfinder picture, for easier focus adjustment. (This function does not affect recorded video or other signal output.)
DIGITAL EXTENDER <sup>e)</sup>	Assigns the function that electronically magnifies the central part of the picture. (All video output is magnified, including recorded video.)
UA01 to UA10 <sup>f)</sup>	Assigns the items assigned in the ASSIGN SEL menu.

- a) Even when the MARKER item is set to OFF on the MARKER page of the USER menu, the ASSIGN 1/3/4 switches allow you to display or not to display all markers.
- b) This function cannot be assigned to the RET button on the lens.
- c) Even if the RETURN VIDEO item is set to OFF on the ASSIGNABLE SW page of the OPERATION menu, you can use this switch to display the image of the return video signal on the viewfinder.
- d) Only the Assign 3 SEL and Assign 4 SEL screens appear.

- e) Video momentarily becomes black and audio is momentarily muted when the digital extender is switched on and off.
- f) This does not appear if nothing is assigned in the Assign menu.

### Functions to be assigned to the ASSIGN 2 (slide-type) switch

Function	Content
OFF	Assigns no function.
FRONT MIC	Assigns the function that switches between stereo and monaural when a stereo microphone is connected.
PICTURE CACHE	Assigns execution of recording in picture cache mode.
SUPER (VFDISP&M ENU)	Assigns a mixing switch function that selects mixing or no mixing of superimposed viewfinder and menu text data into the video signals output from the SDI OUT 2 or TEST OUT connector, when SDI OUT 2 SUPER or TEST OUT SUPER on the OUTPUT 1 page of the OPERATION menu are set to ON.
MARKER	Assigns the function that displays or hides all markers. <sup>a)</sup>
REC VIDEO SOURCE	Switches the recording target video between the video shot by the camera and the video input from an external device (VBS or SD-SDI/HD-SDI). <sup>b)</sup>
ZEBRA	Assigns the zebra pattern display function.
FREEZE MIX	Assigns the function that mixes a still picture (monochrome) and camera video (color) (effective for framing shots).
DIGITAL EXTENDER <sup>c)</sup>	Assigns the function that electronically magnifies the central part of the picture. (All video output is magnified, including recorded video.)
UA01 to UA10 <sup>d)</sup>	Assigns the items assigned in the ASSIGN SEL menu.

- a) Even when the MARKER item is set to OFF on the MARKER page of the USER menu, the ASSIGN 2 switch allows you to display or not to display all markers.
- b) The optional CBK-SC02 Analog Composite Input Board is required for VBS signal input. The optional CBK-HD01 HD/SD SDI Input Board is required for SD-SDI/HD-SDI signal input.
- c) Video momentarily becomes black and audio is momentarily muted when the digital extender is switched on and off.
- d) This does not appear if nothing is assigned in the Assign menu.

#### Note

For functions that are assigned to the ASSIGN 2 (slide-type) switch, you cannot change those settings using other menus. The function assigned to the ASSIGN 2 switch takes precedence over the menu setting.

### 3 Select the desired function, and press the MENU knob.

The function is assigned, and the ASSIGNABLE SW page appears again.

#### Operation of the ASSIGN 1/2/3/4 switches when UA01 to UA10 are assigned

When an on/off switchable function (or menu item) is assigned to one of the ASSIGN 1/2/3/4 switches, each time the switch is pressed toggles the function on or off.

When another type of menu item is assigned, pressing the switch displays the item and its setting value on the viewfinder screen.

You can then change the setting by pressing and turning the MENU knob.

The viewfinder screen display disappears approximately three seconds after the last operation.

### Setting power saving functions

You can limit the function of some output connectors to save power consumption.

(How to select an item in the menu screen: Turn the MENU knob to move ➔ to the desired item.)

#### 1 Display the POWER SAVE page of the OPERATION menu, and press the MENU knob.

For details on menu operations, see “Basic menu operations” on page 163.

#### 2 Select the desired item, and press the MENU knob.

You can set the following items on the POWER SAVE page.

Item	Description
ETHERNET/USB	Enables or disables the network connector and USB connector.
i.LINK(FAM) <sup>a)</sup>	Enables or disables the i.LINK connector (FAM function).
REC AUDIO OUT	Puts the AUDIO OUT connectors in EE or SAVE mode.
TEST OUT SAVE	Switches the TEST OUT connector power saving function on and off. <b>ON:</b> No signals are output if a cable is not connected. <b>OFF:</b> Signals are always output, regardless of whether a cable is connected.

- a) The unit must be powered off and on again to enable changes to this setting.

#### 3 Turn the MENU knob to select the desired setting, and press the MENU knob.

#### 4 Repeat steps 2 and 3 until you have set all of the desired items.

### Setting the color temperature manually

You can manually adjust the value of the white balance by setting the color temperature.

(How to select an item in the menu screen: Turn the MENU knob to move ➔ to the desired item.)

#### 1 Display the WHITE page of the PAINT menu, and press the MENU knob.

For details on menu operations, see “Basic menu operations” on page 163.

#### 2 Select the desired item, and press the MENU knob.

You can set the following items on the WHITE page.

Item	Description
COLOR TEMP <A>	Sets the color temperature for the desired value. Adjust the value while looking at the real image because error tends to be bigger for adjustment of high color temperature.
C TEMP BAL <A>	Adjusts the value more precisely when the color temperature adjustment through COLOR TEMP is not satisfactory.
R GAIN <A>	Changes only the value of R GAIN.
B GAIN <A>	Changes only the value of B GAIN.

The above table shows the adjustment of the white balance of channel A. Items followed by <B> are used to adjust the white balance of channel B.

- 3 Turn the MENU knob to change the setting, and press the MENU knob.
- 4 Repeat steps 2 and 3 until you have set all of the desired items.

## Specifying an offset for the auto white balance setting

By setting an offset for the value of auto white balance, you can make the picture warmer or colder.

(How to select an item in the menu screen: Turn the MENU knob to move ➔ to the desired item.)

- 1 Display the OFFSET WHT page of the OPERATION menu, and press the MENU knob.

For details on menu operations, see “Basic menu operations” on page 163.

- 2 Select the desired item, and press the MENU knob.

You can set the following items in the OFFSET WHT page.

Item	Description
OFFSET WHITE <A>	When this item is set to ON, the offset adjusted on this page is added to the white balance for channel A.
WARM-COOL <A>	When OFFSET WHITE <A> is “ON”, sets the offset for the white balance of channel A, using the color temperature. Adjust the value while looking at the real image because error tends to be bigger for adjustment of high color temperature.
WARM-COOL BAL <A>	Adjusts the value more precisely if the adjustment by WARM-COOL <A> is not satisfactory.
OFFSET WHITE <B>	When this item is set to ON, the offset adjusted on this page is added to the white balance for channel B.
WARM-COOL <B>	When OFFSET WHITE <B> is “ON”, sets the offset for the white balance of channel B, using the color temperature. Adjust the value while looking at the real image because error tends to be bigger for adjustment of high color temperature.
WARM-COOL BAL <B>	Adjusts the value more precisely if the adjustment by WARM-COOL <B> is not satisfactory.

- 3 Set the WHITE BAL switch to the channel (A or B) that you want to set.

### Note

If the WHITE BAL switch is not set to A or B, the adjusted value is not reflected in the video output even though you carry out the following operation.

- 4 Turn the MENU knob to change the setting, and press the MENU knob.  
If you want to set the other channel, go back to step 2.

## Selecting the lens file

The LENS FILE page of the USER menu allows you to change the lens file according to the lens in use.

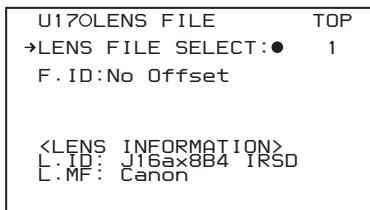
(How to select an item in the menu screen: Turn the MENU knob to move ➔ to the desired item.)

## 1 Display the LENS FILE page of the USER menu, and press the MENU knob.

For details on menu operations, see “Basic menu operations” on page 163.

The LENS FILE page shows the name (F.ID) of the currently selected lens file.

The lens name (L.ID) and manufacturer (L.MF) appear when a lens that supports serial communications is mounted.



## 2 Select LENS FILE SELECT, and press the MENU knob.

## 3 Turn the MENU knob to change the setting, and press the MENU knob.

### Setting the UMID data

#### What is a UMID?

The UMID (Unique Material Identifier) is a unique identifier for audio-visual material defined by the SMPTE330M-2003 standard. The UMID may be used either as the 32-byte Basic UMID or as the Extended UMID, which includes an additional 32 bytes of Source Pack to make a total 64 bytes.

For details, refer to SMPTE 330M.

Globally unique ID is automatically recorded in clip units.

The Extended UMID is metadata that provides additional information such as location, time/date, company and so on.

#### Using the Extended UMID

You have to enter a country code, organization code and user code. Set the country code referring

to the ISO 3166 table, and set the organization code and user code independently.

For details, see “About UMID ownership information” (page 184).

#### Functions of UMID data

The UMID data enables the followings:

- Add a globally unique ID to every clip of audio-visual material. The unique ID is used to detect the material source and to link it with the original source material.
- Distinguishing between original material and copied material. 00 is added to the Instance Number for original material.
- Recording based on the UTC. The UTC is used when recording the UMID. This enables uniform control of source material recorded all over the world based on the universal timecode.
- Calculating the date difference among source materials. The source material is recorded based on the MJD (Modified Julian Date), which enables easy calculation of date difference among source materials.

#### To set UMID ownership information

(How to select an item in the menu screen: Turn the MENU knob to move ➔ to the desired item.)

## 1 Display the UMID SET page of the OPERATION menu, and press the MENU knob.

For details on menu operations, see “Basic menu operations” on page 163.

## 2 Set the following item.

Item	Contents
COUNTRY CODE	Country code
ORGANIZATION	Organization code
USER CODE	User code
TIME ZONE	Time difference from UTC

For details on how to enter characters, see “Setting the shot ID” (page 175).

## 3 Press the MENU knob.

---

## About UMID ownership information

---

### COUNTRY CODE

Enter an abbreviated alphanumeric string (4-byte alphanumeric strings) according to the values defined in ISO 3166-1.

There are about 240 country codes.

Find your own country code on the following home page.

Refer to ISO 3166-1:

[http://www.iso.org/iso/country-codes/iso\\_3166\\_code\\_lists.htm](http://www.iso.org/iso/country-codes/iso_3166_code_lists.htm)

When the country code is less than 4 bytes, the active part of the code will occupy the first part of the 4-bytes and the remainder must be filled with the space character (20h).

Example: In the case of Japan

For Japan, if the country code is JP, it is 2 bytes, if JPN, it is 3 bytes.

Thus, enter the following:

JP \_ \_

or

JPN \_

where \_ represents a space.

### ORGANIZATION (organization code)

Enter an abbreviated 4-byte alphanumeric string for the organization code.

#### Notes

- Organization codes must be acquired by applying to the SMPTE registration office.  
When no organization code has been acquired, it is forbidden to enter an arbitrary string. As a rule, the code "00" must be entered. Freelance operators who do not belong to an origination should enter "~".
- There are no problems in recording or playing back audio-video signals, if ORGANIZATION is not set.

### USER CODE

Enter the 4-byte alphanumeric strings for user identification.

The user code is registered with each organization locally. It is usually not centrally registered.

When the country code is less than 4 bytes, enter the country code from the beginning of the 4 bytes and enter the space character (20h) in the remaining strings.

This user code is determined by the organization.

The methods used depend on the organization.

#### Note

User code cannot be entered when no organization code has been entered.

### TIME ZONE

Set the time difference from UTC.

#### Notes

- The UTC is calculated based on the local time, using the time zone. If the time zone is not set, the UTC is not recorded correctly.
- When you change the time zone, adjust the internal clock to local time and turn the power of the camcorder off and then the power on again.



## Handling the “Memory Stick”

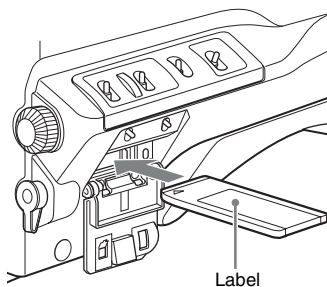
The “Memory Stick” can be inserted to or removed from the camcorder with the power turned on or off.

### “Memory Sticks” usable with this camcorder

With this camcorder, you can use a Sony “Memory Stick”, “Memory Stick Duo”, “Memory Stick PRO” whose capacity does not exceed 4 GB, and “Memory Stick PRO Duo”.

For details, see “About a “Memory Stick”” on page 234.

### Inserting a “Memory Stick”



- 1 **Open the cover of the menu operating section.**
- 2 **Hold the “Memory Stick” with the notch facing downward and the arrow facing away from you, and insert the “Memory Stick” into the “Memory Stick” slot until it clicks into place. Then close the cover.**

### Note

If it does not fit into the slot properly or if there is some resistance when you insert it, the “Memory Stick” may be turned around or upside down. Do not force the “Memory Stick” into the slot. Confirm the direction of the notch and arrow on the “Memory Stick” before inserting the “Memory Stick” and then try inserting it again.

### To remove the “Memory Stick”

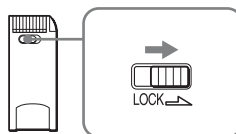
- 1 **Check that the access indicator is not lit, then gently press in the “Memory Stick” once and release.**  
The “Memory Stick” pops out.
- 2 **Pull the “Memory Stick” towards you to withdraw it from the slot.**

### Note

Do not remove the “Memory Stick” while the access indicator is lit. You may lose data, or damage the “Memory Stick”.

### To protect saved data

To prevent accidental erasure of important setup data, slide the LOCK switch on the “Memory Stick” right to the write protect position.



It is now impossible to write or delete data on the “Memory Stick”. If you try to do so, the message “MEMORY STICK LOCKED” appears and the data cannot be overwritten or deleted.

### Note

“Memory Stick Duo” and “Memory Stick PRO Duo” do not have this function.

### To format a “Memory Stick”

### Note

Do not format the “Memory Stick” using a PC.

(How to select an item in the menu screen: Turn the MENU knob to move ➔ to the desired item.)

- 1 Display the MEMORY STICK page of the FILE menu, and press the MENU knob.**

*For details on menu operations, see “Basic menu operations” on page 163.*

- 2 Select M.S. FORMAT, and press the MENU knob.**

A confirmation screen appears.

- 3 Select “YES” and press the MENU knob.**

## Saving and Recalling User Files

The camcorder is equipped with a “Memory Stick” slot, which enables you to save the settings in the USER menu as a user file onto the “Memory Stick”. You can load these files from the “Memory Stick” for immediate recall of a particular setting configuration.

In addition to user files, you can save scene files, reference files, lens files and ALL files in a “Memory Stick”.

When a menu is displayed, inserting a “Memory Stick” displays the appropriate file-related menu page automatically.

### Saving user menu data to the “Memory Stick”

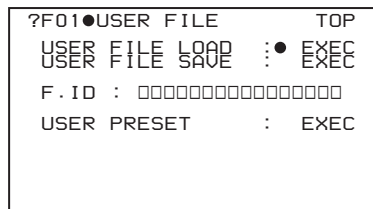
You can save USER menu settings held in the camcorder as user files in the “Memory Stick”. You can save up to 100 user files in the “Memory Stick”.

Insert the “Memory Stick” then proceed as follows.

(How to select an item in the menu screen: Turn the MENU knob to move ➔ to the desired item.)

- 1 Display the USER FILE page of the FILE menu, and press the MENU knob.**

*For details on menu operations, see “Basic menu operations” on page 163.*



**To set a file ID for the data to be saved**  
Set the file ID before going to step 2.

*For details on setting the file ID, see “To set the file ID” on page 187.*

## 2 Select USER FILE SAVE, and press the MENU knob.

The USER SAVE page appears.  
Up to 20 pages, from P00 to P19, can be used to save user files to the “Memory Stick”.  
Each page can hold up to five files.

## 3 Turn the MENU knob until the page which contains the desired file number appears, and press the MENU knob.

## 4 Select the desired file number, and press the MENU knob.

The message “SAVE OK? YES ➔ NO” appears.  
If a file number is followed by “NEW FILE”, this means that the file is empty. If data is stored in the file, the file number is followed by the file name.

## 5 To carry out the save, select YES and press the MENU knob.

To cancel, press the MENU knob leaving ➔ pointing to NO.

The access indicator lights. When the saving is completed, the message “COMPLETE” appears and the access indicator goes off.

### If no “Memory Stick” has been inserted

The message “NO MEMORY STICK” will appear. Insert a “Memory Stick” and carry out the operation once again.

### If you select a file number where data has already been saved

The message “OVERWRITE OK? YES ➔ NO” appears.

- To stop overwriting, press the MENU knob leaving ➔ pointing to NO.
- To overwrite, select YES and press the MENU knob.

You can select the information displayed on each USER SAVE or USER LOAD page.

For details, see “To select the file information items to be displayed” on page 188.

## About the USER menu settings to be saved in the “Memory Stick”

Settings for items on all pages of the USER menu are saved in the “Memory Stick” as a user file.

## If data cannot be saved

If one of the following error messages appears during or after the save operation, then the data was not saved.

Error message	Cause	Action
NO MEMORY STICK (flashing)	No “Memory Stick” is inserted.	Insert or reinsert the “Memory Stick”.
MEMORY STICK LOCKED	The LOCK switch on the “Memory Stick” is set to the write protect position.	Set the LOCK switch to the write enable position.
MEMORY STICK ERROR (flashing)	Circuit or “Memory Stick” fault.	Recheck and consult a Sony service representative.

## To set the file ID

You can set a file ID before you save your data as a user file. This will help you identify the user file quickly. The file ID that has been set is saved together with the data.

### Note

Set the file ID before saving data in the “Memory Stick”. Otherwise, the file ID is not saved with the other data.

(How to select an item in the menu screen: Turn the MENU knob to move ➔ to the desired item.)

## 1 Display the USER FILE page of the FILE menu.

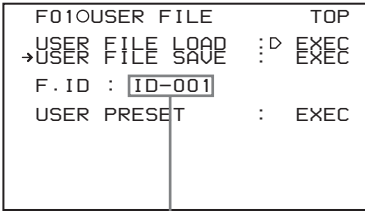
For details on menu operations, see “Basic menu operations” on page 163.

## 2 Select F. ID, and press the MENU knob.

A character table appears.

F010USER FILE	TOP
USER FILE LOAD :	EXEC
● F. ID : ?■	◀
i#%&’()*. -./012345678	
9:;<=>?@ABCDEFGHIJKLMNPQ	
RSTUVWXYZI#Jabcdefghijklmnop	
lmnopqrstuvwxyz~	
INS DEL RET	ESC END

- 3 Follow steps 3 and 4 described in “Setting the shot ID” on page 175 to enter characters.
- 4 When you have finished entering the file ID, turn the MENU knob to move ■ to END, and press the MENU knob. The entered file ID is now displayed.



File ID that has been set appears.

When you carry out a user file save operation (see page 186), the set file ID is saved to the “Memory Stick” together with the data.

### To select the file information items to be displayed

You can select the user file information items to be displayed on the USER FILE SAVE page and USER FILE LOAD page (P00 to P19), that are the pages used to save and call up the data to and from “Memory Stick”.

(How to select an item in the menu screen: Turn the MENU knob to move ➔ to the desired item.)

- 1 Display a USER FILE LOAD page or USER FILE SAVE page of the USER FILE menu, and press the MENU knob.  
*For details on menu operations, see “Basic menu operations” on page 163.*
- 2 Select DISPLAY MODE, and press the MENU knob.
- 3 Select the desired type of file information, and press the MENU knob.

Display type	Description
ALL	File ID (10 characters) and date (year/month/day)
F.ID	File ID (16 characters)
DATE	Date saved (year/month/day/hours/minutes/seconds)
MODEL	Information on the model

## Loading saved data from a “Memory Stick”

### Note

The data loaded from the “Memory Stick” overwrites the data saved in the camcorder.

(How to select an item in the menu screen: Turn the MENU knob to move ➔ to the desired item.)

- 1 Display the USER FILE page of the FILE menu, and press the MENU knob.  
*For details on menu operations, see “Basic menu operations” on page 163.*
- 2 Select USER FILE LOAD, and press the MENU knob.  
The USER LOAD page appears.
- 3 Turn the MENU knob until the page which contains the desired file number appears, then press the MENU knob.
- 4 Select the desired file number, and press the MENU knob.  
The message “LOAD OK? YES ➔ NO” appears.
- 5 To carry out the load, select YES and press the MENU knob.  
To cancel, press the MENU knob leaving ➔ pointing to NO.

The access indicator lights.

When the load is completed, the message “COMPLETE” appears and the access indicator goes off.

### If data cannot be loaded

If one of the following error messages appears during or after the load operation, then the data was not loaded.

Error message	Cause	Action
NO MEMORY STICK (flashing)	No "Memory Stick" is inserted.	Insert or reinsert the "Memory Stick".
MEMORY STICK ERROR (flashing)	Circuit or "Memory Stick" fault.	Recheck, and consult a Sony service representative.
FILE ERROR (flashing)	The "Memory Stick" contains data that cannot be loaded into this camcorder.	Data saved to a "Memory Stick" using a camcorder whose model is not the same as this camcorder cannot be loaded into this camcorder.

## Returning the user file settings to the standard settings

(How to select an item in the menu screen: Turn the MENU knob to move ➔ to the desired item.)

### 1 Display the USER FILE page of the FILE menu, and press the MENU knob.

*For details on menu operations, see "Basic menu operations" on page 163.*

### 2 Select USER PRESET, and press the MENU knob.

## Saving and Loading Scene Files

You can save various settings for shooting a particular scene as a scene file. By loading the scene file, you can quickly recreate setup conditions suitable for the scene. You can save up to five scene files in the camcorder memory and up to 100 scene files in a "Memory Stick". You can also load data from the "Memory Stick" into the camcorder memory.

### Data that can be saved in a scene file

You can save the following data in a scene file:

- Values adjusted using the PAINT menu
- Shutter speed settings made in the standard mode and ECS mode
- The white balance data included in a scene file depends on the SCENE WHITE DATA setting on the REFERENCE page of the FILE menu.

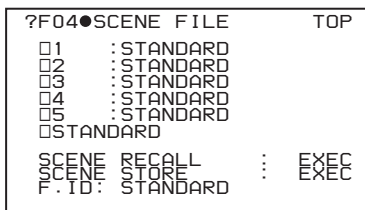
## Saving a scene file

To save a scene file to the "Memory Stick", insert the "Memory Stick" into the "Memory Stick" slot before starting the following operation.

(How to select an item in the menu screen: Turn the MENU knob to move ➔ to the desired item.)

### 1 Display the SCENE FILE page of the FILE menu, and press the MENU knob.

*For details on menu operation, see "Basic menu operations" on page 163.*



### To set a file ID for the data to be saved

Set the file ID before going to step 2.

*For details on setting the file ID, see "To set the file ID" on page 187.*

## 2 Select SCENE STORE, and press the MENU knob.

The SCENE STORE page appears.

## 3 Press the MENU knob, then select the desired file number, and press the MENU knob again.

The file to be saved is selected.

### When no “Memory Stick” is inserted

Select the desired memory number, and press the MENU knob.

When the save is completed, the SCENE FILE page appears again.

### When you select a file number where data has already been saved

The message “OVERWRITE OK? YES ➔ NO” appears.

- To cancel the overwriting, press the MENU knob leaving ➔ pointing to NO.
- To overwrite, select YES and press the MENU knob.

### When a “Memory Stick” is inserted

You can use up to 20 pages, from P01 to P20, to save scene files in the “Memory Stick”.

Each page can hold up to five files.

- ① Turn the MENU knob until the page which contains the desired file number appears, then press the MENU knob.
- ② Select the desired file number, and press the MENU knob.  
The message “STORE OK? YES ➔ NO” appears.
- ③ To carry out the save, select YES and press the MENU knob.  
To cancel, press the MENU knob leaving ➔ pointing to NO.

You can select the file information items to be displayed on each page of SCENE STORE and SCENE RECALL.

*For details, see “To select the file information items to be displayed” on page 188.*

---

## To save scene files stored in the camcorder memory to the “Memory Stick”

---

The five scene files stored in the camcorder memory can be saved to the “Memory Stick” all in a single operation.

(How to select an item in the menu screen: Turn the MENU knob to move ➔ to the desired item.)

## 1 Display the SCENE FILE page of the FILE menu, and press the MENU knob.

*For details on menu operations, see “Basic menu operations” on page 163.*

## 2 Select SCENE STORE, and press the MENU knob.

One of the SCENE STORE pages appears.

## 3 Turn the MENU knob to select the desired SCENE STORE page, and press the MENU knob.

## 4 Select 5FILE SAVE ◀ MEM1-5, and press the MENU knob.

The message “STORE OK? YES ➔ NO” appears.

## 5 To carry out the save, select YES and press the MENU knob.

To cancel, press the MENU knob leaving ➔ pointing to NO.

When the save is completed, the message “COMPLETE” appears.

### Note

If files have been saved in the page selected in step 3, those files are replaced with files loaded from the camcorder memory. For example, files from 001 to 005 are replaced by the above procedure.

---

## To set the file ID

---

You can set an file ID before you save your data as a scene file. This will help you identify the scene file quickly. The file ID that has been set is saved together with the data.

You can carry out a scene file ID setting operation on the SCENE FILE page of the FILE menu.

*For details about this operation, see the description of step 2 and following of “To set the file ID” on page 187.*

## To select the file information items to be displayed

You can select the items of file information to be displayed on the SCENE STORE pages (P01 to P20) or the SCENE RECALL pages (P01 to P20) used for saving data to or loading data from a “Memory Stick”.

You can select the scene file information items to be displayed on the SCENE STORE page and SCENE RECALL page of the SCENE FILE menu.

For details about item selection, see the description of step 2 and following of “To select the file information items to be displayed” on page 188.

## Loading scene files

(How to select an item in the menu screen: Turn the MENU knob to move  $\blacktriangleright$  to the desired item.)

### 1 Display the SCENE FILE page of the FILE menu, and press the MENU knob.

For details on menu operations, see “Basic menu operations” on page 163.

### 2 To load the scene file stored in the camcorder, select the desired file number, and press the MENU knob.

on the left of the file number changes to . The camcorder is set up according to the loaded scene file.

F040SCENE FILE		TOP
<input type="checkbox"/> 1	: SCENE 25	
<input checked="" type="checkbox"/> 2	: SCENE 26	
<input type="checkbox"/> 3	: SCENE 27	
<input type="checkbox"/> 4	: SCENE 28	
<input type="checkbox"/> 5	: NO FILE	
<input type="checkbox"/> STANDARD		
SCENE RECALL	:	EXEC
SCENE STORE	:	EXEC
F. ID	: SCENE21	

#### To cancel the selected scene file

Turn the MENU knob to move  $\blacktriangleright$  to , and press the MENU knob again.  changes to . The camcorder returns to the settings before selecting this scene file.

#### To load a scene file saved in the “Memory Stick”

① Select SCENE RECALL, and press the MENU knob.

The SCENE RECALL page appears.

② Turn the MENU knob until the page which contains the desired file number appears, then press the MENU knob.

③ Select the desired file number, and press the MENU knob.

The message “RECALL OK? YES  $\blacktriangleright$  NO” appears.

### 3 To carry out the recall, select YES and press the MENU knob.

To cancel, press the MENU knob leaving  $\blacktriangleright$  pointing to NO.

When the loading is completed, the message “COMPLETE” appears. The camcorder is set up according to the loaded scene file. If no file is present with a particular file number, this is shown as “NO FILE”.

## To load scene files from the “Memory Stick” into the camcorder memory

You can load up to five scene files stored in the “Memory Stick” into the camcorder memory all in a single operation.

(How to select an item in the menu screen: Turn the MENU knob to move  $\blacktriangleright$  to the desired item.)

### 1 Display the SCENE FILE page of the FILE menu, and press the MENU knob.

For details on menu operations, see “Basic menu operations” on page 163.

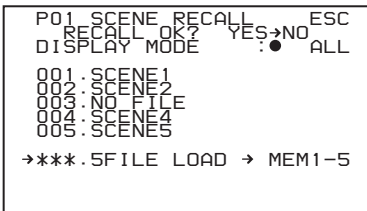
### 2 Select SCENE RECALL, and press the MENU knob.

The SCENE RECALL page appears.

### 3 Turn the MENU knob until the SCENE RECALL page which contains the desired scene files appears, and press the MENU knob.

### 4 Select 5FILE LOAD $\blacktriangleright$ MEM1-5, and press the MENU knob.

The message “RECALL OK? YES  $\blacktriangleright$  NO” appears.



## 5 To carry out the load (recall), select YES and press the MENU knob.

To cancel, press the MENU knob leaving ➔ pointing to NO.

When loading is complete, the message “COMPLETE” appears and the access indicator goes off.

### Notes

- The scene files loaded from the “Memory Stick” overwrite data saved in the camcorder memory.
- To load the scene file saved in the camcorder memory when the “Memory Stick” is inserted, return to the P00 SCENE RECALL page and load the desired scene file in the camcorder memory.
- When there is no file to be loaded (shown as “NO FILE”), an existing file of the same number is unaffected. In the example shown in step 4, MEM3 is not overwritten.

## Returning the scene file settings to the standard settings

(How to select an item in the menu screen: Turn the MENU knob to move ➔ to the desired item.)

### 1 Display the SCENE FILE page of the FILE menu, and press the MENU knob.

For details on menu operations, see “Basic menu operations” on page 163.

### 2 Select STANDARD, and press the MENU knob.

displayed on the left of STANDARD changes to . When  changes to  once again, the settings of the camcorder are reset to the standard settings.

If you press the MENU knob again while  is displayed, the operation is cancelled and the camcorder returns to the settings before STANDARD was selected.

## Jumping to a File-Related Menu Page When Inserting a “Memory Stick”

A “Memory Stick” enables you to save user files, scene files, lens files, reference files and ALL files.

The camcorder menu system allows you to make a setting so that when a “Memory Stick” holding these files is inserted while in menu operating mode, a menu page relating to the desired file is automatically displayed on the screen. Thus you can proceed to file operation quickly. This is very convenient especially when you manage data files using “Memory Stick”s.

(How to select an item in the menu screen: Turn the MENU knob to move ➔ to the desired item.)

### 1 Display the MEMORY STICK page of the FILE menu, and press the MENU knob.

For details on menu operations, see “Basic menu operations” on page 163.

### 2 Select MS IN > JUMP TO, and press the MENU knob.

The MS IN > JUMP TO page allows you to select one of the following settings.

Setting	Description
OFF	Disables this function. Menu pages do not change when a “Memory Stick” is inserted.
USER	Jumps to the USER FILE page.
ALL	Jumps to the ALL FILE page.
SCENE	Jumps to the SCENE FILE page.
LENS	Jumps to the LENS FILE 1 page.
REFER	Jumps to the REFERENCE page.
USER 1	Jumps to the USER 1 FILE page.

### 3 Turn the MENU knob until the name of the desired file page appears, then press the MENU knob.

### Notes

In the following cases, jumping to the target page is impossible.

- When the power is turned on after you insert a “Memory Stick”.
- When OFF is selected on the MS IN > JUMP TO page.



- When any of the following menu pages is already displayed.
  - A file-related page such as the USER FILE page of the FILE menu
  - MEMORY STICK, ALL FILE, SCENE FILE, LENS FILE, REFERENCE or ROM VERSION page

## Overview

A remote computer can be connected to this unit and used to operate on recorded data which has been saved in data files, such as video and audio data files.

There are two ways to connect a remote computer.

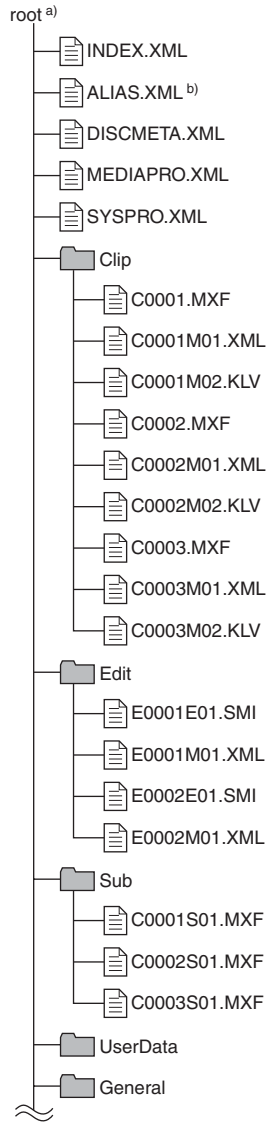
- **FAM connection**  
Connect the **i** (i.LINK) S400 connector on this unit to the i.LINK (IEEE1394) connector on the remote computer, using an i.LINK cable (*see page 199*).
- **FTP connection**  
Connect the network connectors on this unit and the remote computer, using a network cable (*see page 203*).

## Directory structure

The following figure shows the directory structure of discs visible to a remote computer.

**Note**

This structure is not the same as the actual structure recorded on the disc.

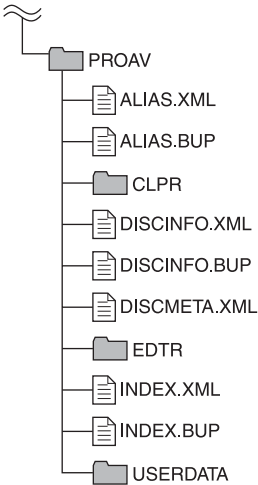


(Continued)

a) Root directory

b) Only when NAMING FORM on the FILE NAMING page of the OPERATION menu is set to FREE

(Continued)



## File operation restrictions

This section explains which operations are possible on files stored in each directory.

When required, the following operation tables distinguish reading and writing from partial reading and writing.

**Read:** Read data sequentially from the start to the end of the file.

**Partial read:** Read only a part of the data in the file.

**Write:** Write data sequentially from the start to the end of the file.

**Partial write:** Write data to a part of the file only.

### Note

Operations other than Read and Partial read are possible only when the Write Inhibit tab of the disc is set to recording enabled.

## Root directory

File name	Content	Operations				
		Read/ Partial read	Write/ Partial write	Rename	Create	Delete
INDEX.XML	Contains data for management of the material on the disc.	Yes	No	No	No	No
ALIAS.XML <sup>a)</sup>	Contains conversion tables for assigning user-defined names to clips and clip lists.	Yes	No	No	No	No
DISCMETA.XML	Contains metadata to indicate the disc properties.	Yes	Yes <sup>b)</sup>	No	No	No
MEDIAPRO.XML	Contains a list of materials on the disc, basic properties, related information, and information about access methods.	Yes	No	No	No	No
SYSPRO.XML	Contains system setting information and menu setting information for the devices.	Yes	No	No	No	No
Other files	Files other than the above	-	No	-	No	-

a) Only when NAMING FORM on the FILE NAMING page of the OPERATION menu is set to FREE.

b) Only files which can be written by XDCAM.

### Notes

- Directories cannot be created in the root directory.
- The directories in the root directory (Clip, Edit, Sub, UserData, General, and PROAV) cannot be deleted or renamed.

## Clip directory

File name	Content	Operations				
		Read/ Partial read	Write/ Partial write	Rename	Create	Delete
C*.MXF <sup>a)</sup>	Clip file created by recording (MXF file) *: 0001 to 9999	Yes	No <sup>b), c)</sup>	Yes	Yes <sup>c)</sup>	Yes <sup>d)</sup>
C*M01.XML <sup>a)</sup>	Metadata file generated automatically when C*.MXF file is created. *: 0001 to 9999	Yes	Yes <sup>e)</sup>	No <sup>f)</sup>	No <sup>g)</sup>	No <sup>h)</sup>
C*M02.KLV <sup>a)</sup>	User metadata file. This type of file is generated automatically during recording via an FTP or FAM connection when the unit recognizes that an MXF file contains metadata that was generated by a non-XDCAM device. *: 0001 to 9999	Yes	Yes <sup>e)</sup>	No <sup>f)</sup>	Yes <sup>e)</sup>	Yes <sup>h)</sup>
Other files	Files other than the above	-	No	-	No	-

a) The "C\*" part can be changed to a user-defined name.

b) Overwriting is not possible.

c) Only files which are 2 seconds or longer in length, in a format matching the format (system frequency (59.94i, 50i, or 25P)) and recording format (MPEG HD422 and number of audio channels) of the recorded sections of the disc, and which can be overwritten by XDCAM.

d) Any clip may be selected and deleted.

e) Only files which can be written by XDCAM.

f) When the "C\*" part of a C\*.MXF file name is changed, a C\*M01.XML file (or a C\*M02.KLV file) with the same name in the "C\*" part is also changed automatically.

g) When a C\*.MXF file is created, a C\*M01.XML file with the same name in the "C\*" part is created automatically.

h) When a C\*.MXF file is deleted, the C\*M01.XML file (or a C\*M02.KLV file) with the same name in the “C\*” part is also deleted automatically.

**Note**

Directories cannot be created in the Clip directory.

**Edit directory**

File name	Content	Operations				
		Read/ Partial read	Write/ Partial write	Rename	Create	Delete
E*E01.SMI <sup>a)</sup>	Clip list file *: 0001 to 0099	Yes	Yes <sup>b)</sup>	Yes	Yes <sup>c)</sup>	Yes
E*M01.XML <sup>a)</sup>	Metadata file generated automatically when E*E01.SMI file is created. *: 0001 to 0099	Yes	Yes <sup>b)</sup>	No <sup>d)</sup>	No <sup>e)</sup>	No <sup>f)</sup>
Other files	Files other than the above	-	No	-	No	-

- a) The “E\*” part can be changed to a user-defined name.
- b) Only files which can be written by XDCAM. Partial writing is not possible.
- c) Only files which can be written by XDCAM.
- d) When the “E\*” part of a E\*E01.SMI is changed, an E\*M01.XML file with the same name in the “E\*” part is also changed automatically.

- e) When an E\*E01.SMI file is created, an E\*M01.XML file with the same name in the “E\*” part is also generated automatically.
- f) When an E\*E01.SMI file is deleted, an E\*M01.XML file with the same name in the “E\*” part is also deleted automatically.

**Note**

Directories cannot be created in the Edit directory.

**Sub directory**

File name	Content	Operations				
		Read/ Partial read	Write/ Partial write	Rename	Create	Delete
C*S01.MXF <sup>a)</sup>	Proxy AV data (MXF file) generated automatically when a C*.MXF file is created. *: 0001 to 9999	Yes	No	No <sup>b)</sup>	No <sup>c)</sup>	No <sup>d)</sup>
Other files	Files other than the above	-	No	-	No	-

- a) The “C\*” part can be changed to a user-defined name.
- b) When the “C\*” part of a C\*.MXF file name is changed, a C\*S01.MXF file with the same name in the “C\*” part is generated automatically.
- c) When a C\*.MXF file is created, a C\*S01.MXF file with the same name in the “C\*” part is generated automatically.
- d) When a C\*.MXF file is deleted, the C\*S01.MXF file with the same name in the “C\*” part is also deleted automatically.

**Note**

Directories cannot be created in the Sub directory.

## UserData directory

File name	Content	Operations				
		Read/ Partial read	Write/ Partial write	Rename	Create	Delete
Any file		Yes	Yes	Yes <sup>a)</sup>	Yes	Yes

a) UTF-8 file names can be up to 63 bytes in length. (Depending on the character type, file names (including extension) may be limited to 21 characters.)

The following directory operations are possible in the UserData directory.

- Directory creation (up to 62 levels, including the UserData directory)
- Deletion and renaming of directories

## General directory

File name	Content	Operations				
		Read/ Partial read	Write/ Partial write	Rename	Create	Delete
Any file		Yes	Yes	Yes <sup>a)</sup>	Yes	Yes

a) UTF-8 file names can be up to 63 bytes in length. (Depending on the character type, file names (including extension) may be limited to 21 characters.)

The following directory operations are possible in the General directory.

- Directory creation (up to 63 levels, including the General directory)
- Deletion and renaming of directories

### Notes

- The maximum number of files that can be created on one disc, including directories, is 5000 for a single-layer disc and 6000 for a dual-layer disc.
- File names and directory names can use letters, numbers, and symbols from the Unicode 2.0 (UTF-8) character set. <sup>1)</sup>  
However, the following control characters and symbols cannot be used.  
- Control characters: U+0000 to U+001F, U+007F  
- Symbols: ", \*, /, :, <, >, ', ?, \, |
- To create a new directory in the General directory, first create a directory on the desktop and rename it using only characters that can be used on this unit. Then drag it from the desktop and drop it in the General directory.

1) The following character codes cannot be used by FAM connections.

U+010000, U+020000, U+030000, U+040000,  
U+050000, U+060000, U+070000, U+080000,  
U+090000, U+0A0000, U+0B0000, U+0C0000,  
U+0D0000, U+0E0000, U+0F0000, U+100000

## PROAV directory

This directory displays individual files on the disc.

To enable display of the PROAV directory, set PROAV DISPLAY on the CAM CONIG 1 page of the MAINTENANCE menu to "ENABL".

# File Operations in File Access Mode (for Windows)

## File access mode operating environment

Operating system requirements for file operations by file access mode (called FAM below) are as follows.

**Computer operating system:** Microsoft Windows XP Professional SP2 or higher, or Microsoft Windows Vista Business/Ultimate (32 bit)

### Note

64-bit editions of Windows Vista are not supported.

## Preparations

Install the FAM driver on the remote computer.

### To install the FAM driver

Insert the supplied CD-ROM (XDCAM Application Software) into the CD-ROM drive of your computer, navigate to the FAM Driver directory, and run the installer in the directory for your operating system, then follow the installation instructions.

*For details, refer to the ReadMe file contained on the CD-ROM disc.*

### Note

Use Version 2.10 or higher of the FAM driver. The FAM driver on the supplied CD-ROM is Version 2.10 or higher.

If a FAM driver is already installed on your computer, check the version (*see the next section*).

### To check the FAM driver version

#### For Windows XP:

Select Control Panel > Add or Remove Programs > ProDisc, and click on "Click here for support information."

#### For Windows Vista:

(1) Select Control Panel > Programs, open the Programs and Features window, right click in the window's header bar (including the Name, Publisher, and other headers), and select Others...

(2) In the Choose Details dialog, check the Version check box and click OK. The Version

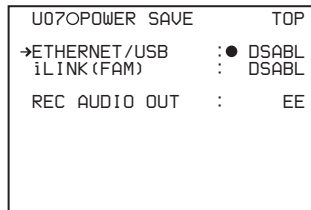
column is displayed, allowing you to check the version of ProDisc.

### To enable FAM connections over the i.LINK connector

(How to select an item in the menu screen: Turn the MENU knob to move  $\blacktriangleright$  to the desired item.)

- 1 Turn the MENU knob to scroll to the **POWER SAVE** page of the **OPERATION** menu, then press the **MENU knob**.

*For details on menu operations, see "Basic menu operations" on page 163.*




- 2 Move  $\blacktriangleright$  to **i.LINK(FAM)** then press the **MENU knob**.
- 3 Turn the MENU knob to select **"ENABL"**, then press the **MENU knob**. The message "Valid after power off." appears.
- 4 Power the camcorder off, and then power it on again. The setting made in step 3 is enabled.



## Making FAM connections

- 1 If there is a disc loaded in this unit, put the unit into the following state.  
**Recording, playback, search and other disc operations:** Stopped  
**THUMBNAIL indicator:** Off  
**Disc access by clip deletion, disc formatting, or other operation:** Stopped  
**Picture Cache function and Interval Rec function:** Off  
**MENU ON/OFF switch:** OFF  
**Unsaved current clip list:** Save or clear

**2 If this unit is connected to a remote computer by FTP, log out from the FTP session (see page 204).**

**3 Connect the  (i.LINK) S400 connector on this unit to the i.LINK (IEEE1394) connector on the remote computer, using an i.LINK cable.**

Windows recognizes this unit as a removable disc, and displays one of the following icons on the remote computer's taskbar:

- **Windows XP:** 
- **Windows Vista:** 

The remote computer is now able to perform file operations when a disc is inserted into this unit.


#### Note

You will not be able to log in if you put the unit into the state described in step 1 after connecting the cable. To log in, disconnect the cable, put the unit into the state described in step 1, and connect it again.

#### When you make your first FAM connection

The Found New Hardware Wizard dialog appears when you connect this unit to your computer. Select "Install the software automatically (Recommended)", and then click the Next button. Click the Finish button when the software installation finishes.

#### Operation limitations during FAM connections

- With the exception of the EJECT button, recording buttons and playback control buttons are disabled.
- VDR of this unit cannot be controlled from devices connected to the REMOTE connector (8-pin) and  (i.LINK) S400 connector.

## Operating on files

**1 Start Explorer.**

Check that a drive letter has been assigned to this unit. (The drive letter will differ depending on the number of other peripherals connected to the remote computer.)

**2 Use Explorer to perform file operations on the disc loaded in this unit.**

You can operate in the same way that you operate on local drives and files on network computers.

#### Notes

- If you power this unit off during a FAM connection, the data transferred thus far is discarded.
- All file operations are not possible for some types of files.

For details, see "File operation restrictions" (page 195).



#### To eject discs from a remote computer

Right click the icon representing this unit in Explorer, and select Eject from the menu which appears.

## Exiting file operations

#### Note

Do not disconnect the cable before performing steps 1 to 3.

**1 Do one of the following on the  or  icon displayed in the remote computer's taskbar.**

- Double click.
- Right click to display the context menu and select "Safely Remove Hardware" from the context menu.

The Safely Remove Hardware dialog appears.

**2 Select "Sony XDCAM PDW-700 IEEE 1394 SBP2 Device" and click "Stop".**

The Stop a Hardware device dialog appears.

**3 Select "Sony XDCAM PDW-700 IEEE 1394 SBP2 Device" and click "OK".**

In Windows XP, "Sony XDCAM PDW-700 IEEE 1394 SBP2 Device" is deleted from the list of hardware devices.

In Windows Vista, the message "This device can be safely removed from your computer." appears.

This unit can now resume normal operations. (The limitations described in "Operation limitations during FAM connections" on page 200 no longer apply.)

**4 Disconnect the i.LINK cable as required.**



---

## To make a reconnection

---

To reconnect after exiting file operations, do one of the following, depending on whether an i.LINK cable is connected.

**i.LINK cable is not connected:** Connect this unit and a remote computer with an i.LINK cable.

**i.LINK cable is connected:** Disconnect the i.LINK cable from either this unit or the remote computer, wait for at least 10 seconds, and then reconnect the disconnected cable.

**The unit is powered off and an i.LINK cable is connected:** Power the unit on.

# File Operations in File Access Mode (for Macintosh)

---

## File access mode operating environment

---

Operating system requirements for file operations by file access mode are as follows.

**Computer operating system:** Mac OS X v10.4.11 or higher

---

## Preparations

---

Do the following on the remote computer and this unit.

- Install the FAM driver on the remote computer (*see the next item*).
- Set i.LINK(FAM) on the POWER SAVE page of the OPERATION menu to ENABL (*see page 181*).

### To install the FAM driver

Insert the supplied CD-ROM (XDCAM Application Software) into the CD-ROM drive of your computer, and execute the FAM Driver >Mac >dmg file of the FAM Driver, then follow the installation instructions.

*For details, refer to the ReadMe file contained on the CD-ROM disc.*

### To check the FAM driver version

Connect this unit to your computer with an i.LINK cable, and then, with a disc loaded, start the system profiler utility of the application. The version appears to the right of “prodisk\_fs” when you select “Advanced Functions” under “Software”.

---

## Making FAM connections

---

- 1 **If there is a disc loaded in this unit, put the unit into the following state.**


**Recording, playback, search and other disc operations:** Stopped

**THUMBNAIL indicator:** Off

**Disc access by clip deletion, disc formatting, or other operation:** Stopped

**Picture Cache function and Interval Rec function:** Off

**MENU ON/OFF switch:** OFF  
**Unsaved current clip list:** Save or clear

- 2 If this unit is connected to a remote computer by FTP, log out from the FTP session (see page 204).**
- 3 Connect the  (i.LINK) S400 connector on this unit to the i.LINK (IEEE1394) connector on the remote computer, using an i.LINK cable.**

When a disc is inserted into this unit, the remote computer recognizes this unit as a removable disc. The following icon appears in the Finder on the remote computer, indicating that the computer is now able to perform file operations.



Untitled

#### Operation limitations during FAM connections

- With the exception of the EJECT button, recording buttons and playback control buttons are disabled.
- Do not use the EJECT button to eject discs. Always eject discs from the computer.
- Do not disconnect the i.LINK cable during a FAM connection. Doing so may result in unstable operation. Always eject any loaded disc before disconnecting the i.LINK cable.

## Operating on files

- 1 Start the Finder.**  
Check to be sure that a drive has been assigned to this unit.
- 2 Operate from the Finder on the files on the disc in this unit.**  
You can operate in the same way that you operate on local drives and files on network computers.

#### Notes

- If you power this unit off during a FAM connection, the data transferred thus far is discarded.
- All file operations are not possible for some types of files.

For details, see “File operation restrictions” (page 195).

#### To eject discs from a remote computer

Click the eject button to the right of the icon for this unit in the Finder, or drag the icon for this unit from the Finder to the Trash.

## Exiting file operations

#### Note

Do not disconnect the cable before performing steps 1 and 2.

- 1 Eject the disc by clicking the eject button to the right of the icon for this unit in the Finder, or by dragging the icon for this unit from the Finder to the Trash.**
- 2 Disconnect the i.LINK cable as required.**

#### To make a reconnection

To reconnect after exiting file operations, do one of the following, depending on whether an i.LINK cable is connected.

**i.LINK cable is not connected:** Connect this unit and a remote computer with an i.LINK cable.

**i.LINK cable is connected:** The unit is mounted automatically, so you do not need to do anything.

**The unit is powered off and an i.LINK cable is connected:** Power the unit on.

# FTP File Operations

File operations between this unit and a remote computer can be carried out by the File Transfer Protocol (called FTP below).

## Preparations

- 1 **Connect the network connectors of this unit and a remote computer with a network cable. Or connect this unit to the network to which the remote computer is connected.**
- 2 **On the NETWORK page of the MAINTENANCE menu, set the IP address and other network setting items for this unit.**<sup>1)</sup>

For details on menu operations, see “Basic menu operations” on page 163.

**If network settings have already been made**

Check the IP address of this unit.

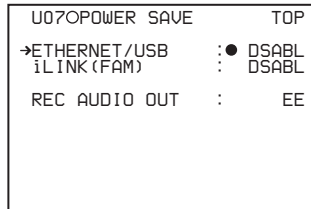
- 1) This unit is able to acquire an IP address automatically from a DHCP server. It also supports an Auto-IP function to assign an IP address automatically when access from this unit to the DHCP server times out. You can check DHCP settings and the assigned IP address on the NETWORK page of the MAINTENANCE menu.

### Note

If this unit is directly connected to a computer running Windows Vista with a network cable, change the setting as follows:

(1) Open “Network and Sharing Center” > “Manage network connections” > “Local Area Connection” in the control panel. (2) In the “Local Area Connection Properties”, uncheck the “Internet Protocol Version 6 (TCP/IPv6)”, and then click the OK button.

- 3 **Turn the MENU knob to scroll to the POWER SAVE page of the OPERATION menu, then press the MENU knob.**



- 4 **Move → to ETHERNET/USB then press the MENU knob.**
- 5 **Turn the MENU knob to select “ENABL”, then press the MENU knob.**

## Making FTP connections

FTP connections between this unit and a remote computer can be made with either of the following.

- The command prompt
- FTP client software

This section explains how to use the command prompt. For more information about using FTP client software, refer to the documentation of the FTP client software on your system.

## To log in

If this unit is connected to a remote computer with a FAM connection, first exit file operations on the FAM connection (see page 200).

- 1 **Load a disc into this unit and put the unit into the following state.**  
**Recording, playback, serch, and other disc operations:** Stopped  
**THUMBNAIL indicator:** Off  
**Disc access by clip deletion, disc formatting, or other operation:** Stopped  
**Picture Cache function and Interval Rec function:** Off  
**MENU ON/OFF switch:** OFF  
**Unsaved current clip list:** Save or clear

### Note

Login is not possible unless the unit is in the state described above.

- 2 **Start the command prompt.**

### 3 Enter “ftp <SP> <IP address>”, and press the Enter key. (<SP> refers to a space.)

For example, if the IP address of this unit is set to 192.168.001.010, enter “ftp 192.168.1.10”.

Refer to the Windows help for more information about the FTP command.

If the connection succeeds, you are prompted to enter a user name.

### 4 Enter the user name “admin” and press the Enter key.

When the user name is verified, your are prompted to enter a password.

### 5 Enter the password and press the Enter key.

The password is set to “pdw-700” when the unit is shipped from the factory.

The login is complete when the password is verified.

See “Command list” (page 204) for the protocol supported by this unit.

#### If the connection times out

This unit terminates FTP connections if no command is received within 90 seconds of the last command. If this occurs, log out (see the next section) and repeat steps 2 to 4.

#### Note

If you power this unit off during an FTP connection, the data transferred thus far is discarded.

## To log out

To log out after finishing file operations, enter “QUIT” at the command prompt and press the Enter key.

## Command list

This unit supports standard protocol (*see the next section*), and extended protocol (*see page 207*).

#### Notes

- To execute FTP commands, you must install application software such as PDZ-1 on your computer.
- The commands supported by application software vary.
- An FTP client that supports UTF-8 is required to use Unicode characters other than ASCII characters.

Command prompt FTP commands do not support UTF-8.

## Standard commands

In the command syntax column, <SP> means a space, entered by pressing the space bar, and <CRLF> means a new line, entered by pressing the Enter key.

### USER

Send this command to begin the login process.

**Syntax:** USER <SP> <username> <CRLF>

**Input example:** USER admin

### PASS

After sending the USER command, send this command to complete the login process.

**Syntax:** PASS <SP> <password> <CRLF>

**Input example:** PASS pdw-700

### QUIT

Terminates the FTP connection. If a file is being transferred, terminates after completion of the transfer.

**Syntax:** QUIT <CRLF>

### PORT

Specifies the IP address and port to which this unit should connect for the next file transfer (for data transfer from this unit).

**Syntax:** PORT <SP> <h1,h2,h3,h4,p1,p2>  
<CRLF>

h1 (most significant byte) to h4 (least significant byte): IP address

p1 (most significant byte), p2 (least significant byte): Port address

**Input example:** PORT 10,0,0,1,242,48

(IP address: 10.0.0.1, Port number: 62000)

### PASV

This command requests this unit to “Listen” on a data port (which is not its default data port). It puts this unit into passive mode, waiting for the remote computer to make a data connection.

**Syntax:** PASV <CRLF>

### TYPE

Specifies the type of data to be transferred.

**Syntax:** TYPE <SP> <type-code (options delimited by <SP>)> <CRLF>

<type-code> can be any of the following. However, for XDCAM, data is always transferred as “I”, regardless of the type-code specification.

- A: ASCII
  - N: Non-print
  - T: Telnet format
  - C: ASA Carriage Control
- E: EBCDIC
  - N: Non-print
  - T: Telnet format
  - C: ASA Carriage Control
- I: IMAGE (Binary) (default)
- L: LOCAL BYTE
  - SIZE: byte size

**Input example:** TYPE I

---

## STRU

Specifies the data structure.

**Syntax:** STRU <SP> <structure-code> <CRLF>

<structure-code> can be any of the following. However, for XDCAM, the structure is always “F”, regardless of the structure-code specification.

- F: File structure (default)
- R: Record structure
- P: Page structure

**Input example:** STRU F

---

## MODE

Specifies the transfer mode.

**Syntax:** MODE <SP> <mode-code> <CRLF>

<mode-code> can be any of the following. However, for XDCAM, the mode is always “S”, regardless of the mode-code specification.

- S: Stream mode (default)
- B: Block mode
- C: Compressed mode

**Input example:** MODE S

---

## LIST

Sends a list of files from this unit to the remote computer.

**Syntax:** LIST <SP> <options> <SP> <path-name> <CRLF>

<options> can be any of the following.

- -a: Also display file names that begin with “.”.
- -F: Append “/” to directory names.

The following data is transferred, depending on whether <path-name> specifies a directory or file.

- Directory specified: A list of the files in the specified directory
- File specified: Information about the specified file

- No specification: A list of the files in the current directory.

The wildcard characters “\*” (any string) and “?” (any character) may be used in <path-name>.

**Input example 1:** LIST -a Clip

**Input example 2:** LIST Clip/\*.MXF

---

## NLST

Sends a list of file names from this unit to the remote computer, with no other information.

**Syntax:** NLST <SP> <options or path-name> <CRLF>

The following options may be specified when no path name is specified.

- -a: Also display file names that begin with “.”
- -I: Display information other than file name (gives the same result as the LIST command).
- -F: Append “/” to directory names.

The following data is transferred, depending on whether <path-name> specifies a directory or file.

- Directory specified: A list of the file names only in the specified directory
- No specification: A list of the file names only in the current directory.

The wildcard characters “\*” (any string) and “?” (any character) may be used in <path-name>.

**Input example 1:** NLST-I

**Input example 2:** NLST Clip/\*.MXF

---

## RETR

Begins transfer of a copy of a file in the specified path on this unit to the current directory on the remote computer.

**Syntax:** RETR <SP> <path-name> <CRLF>

**Input example:** RETR Clip/C0001.MXF

---

## STOR

Begins transfer of a copy of a file in the specified path on the remote computer to the current directory on this unit.

Depending on the type of file transferred, the following items are created.

- C\*.MXF file <sup>1), 3)</sup>
  - C\*M01.XML file (metadata)
  - C\*M02.KLV file (user metadata)
  - C\*S01.MXF file (proxy AV data)
  - For C\*.MXF files, the UMID of the copy source file is not saved. However, it is saved if an immediately preceding SITE UMMD extended command has been issued.
- E\*E01.SMI file <sup>2), 3)</sup>
  - E\*M01.XML file (metadata)

- 1) \*: 0001 to 9999
- 2) \*: 0001 to 0099
- 3) The unit can handle files with user-defined names in the "C\*" and "E\*" parts.

### Notes

- For C\*.MXF files, some data, such as file header metadata, may be missing.
- Depending on the transfer destination directory and the file type, transfer may not be possible.
- For C\*.MXF files, the UMID of the copy source file is not saved. However, it is saved if an immediately preceding SITE UMMID extended command has been issued.

For details, see "File operation restrictions" (page 195).

**Syntax:** STOR <SP> <path-name> <CRLF>

**Input example:** STOR Edit/E0001E01.SMI

### RNFR

### RNTO

Rename a file. Specify the file to be renamed with the RNFR command, and specify the new name with the RNTO command. (Always follow a RNFR command with a RNTO command.)

**Syntax:** RNFR <SP> <path-name (before change)> <CRLF>  
RNTO <SP> <path-name (after change)> <CRLF>

**Input example:** RNFR General/info.txt  
RNTO General/clip\_info.txt

### DELE

Deletes the specified file on this unit.

### Note

Depending on the directory and file type, deletion may not be possible.

For details, see "File operation restrictions" (page 195).

**Syntax:** DELE <SP> <path-name> <CRLF>

**Input example:** DELE Clip/C0099.MXF

### STAT

Sends information about properties of the specified file, or about data transfer status, from this unit to the remote computer.

The following property information is sent, depending on the file type.

- MXF file
  - File name
  - File type
  - CODEC type
  - Frame rate

- Number of audio channels
- Duration
- UMID
- non-MXF file
  - File name

**Syntax:** STAT <SP> <path-name> <CRLF>

The following data is transferred, depending on whether a file is specified with <path-name>.

- File specified: The properties of the specified file
- No specification: The size of the data transferred thus far (unit: bytes)

**Input example:** STAT Clip/C0001.MXF

### ABOR

Requests this unit to abort a file transfer currently in progress.

**Syntax:** ABOR <CRLF>

### SYST

Displays the system name of this unit.

**Syntax:** SYST <CRLF>

### HELP

Displays a list of the commands supported by this unit, or an explanation of the specified command.

**Syntax:** HELP <SP> <command-name> <CRLF>

The following data is transferred, depending on whether a command name is specified with <command-name>.

- Command name specified: Explanation of the specified command.
- No specification: Command list
- **Input example:** HELP RETR

### NOOP

Does nothing except return a response. (Used to check whether this unit is running.)

**Syntax:** NOOP <CRLF>

### PWD

Displays the current directory ("/" if the directory is the root directory).

**Syntax:** PWD <CRLF>

### CWD

Changes the current directory (moves from the current directory to another directory).

**Syntax:** CWD <SP> <path-name> <CRLF>

Moves to a directory as follows, depending on whether a directory is specified with <path-name>.

- Directory specified: To the specified directory
- No specification: To the root directory

**Input example:** CWD General

---

## CDUP

Moves one level up in the directory structure (makes the parent of the current directory be the current directory).

**Syntax:** CDUP <CRLF>

---

## MKD

Creates a new directory.

### Note

Directories can be created only in the General directory.

For details, see “File operation restrictions” (page 195).

**Syntax:** MKD <SP> <path-name> <CRLF>

---

## RMD

Deletes a directory.

### Note

Directories can be deleted only in the General directory.

For details, see “File operation restrictions” (page 195).

**Syntax:** RMD <SP> <path-name> <CRLF>

---

## Extended commands

In the command syntax column, <SP> means a space, entered by pressing the space bar, and <CRLF> means a new line, entered by pressing the Enter key.

---

## SITE REPF

Sends an MXF file from the specified path on this unit to the remote computer. This command allows you to specify a segment in the body of the MXF file (composed of video and audio data), for transfer of the required segment only.

### Notes

- A segment greater than the file size cannot be specified.
- This command cannot be used when the path name contains a space. Use the SITE REPFL command instead.

**Syntax:** SITE REPF <SP> <path-name> <SP>  
<start-frame> <SP> <transfer-size>  
<CRLF>

<start-frame> specifies an offset from the start of the file. Data is transferred from the video frame at the offset (the first frame is 0).

<transfer-size> specifies the number of video frames to transfer (specify 0 to transfer to the end of the file).

**Input example:** SITE REPF Clip/C0001.MXF 5  
150 (Transfer C0001.MXF. Body data is transferred only from frame 6 to frame 150.)

---

## SITE REPFL

Sends an MXF file from the specified path on this unit to the remote computer. This command allows you to specify a segment in the body of the MXF file (composed of video and audio data), for transfer of the required segment only.

### Note

A segment greater than the file size cannot be specified.

**Syntax:** SITE REPFL <SP> “<path-name>” <SP>  
<start-frame> <SP> <transfer-size>  
<CRLF>

<path-name> specifies the path name of the file to transfer. Enclose the path name in double quotation marks.

<start-frame> specifies an offset from the start of the file. Data is transferred from the video frame at the offset (the first frame is 0).

<transfer-size> specifies the number of video frames to transfer (specify 0 to transfer to the end of the file).

**Input example:** SITE REPFL “Clip/sakura  
0001.MXF 5” 150 (Transfer sakura  
0001.MXF. Body data is transferred only  
from frame 6 to frame 150.)

---

## SITE FSTS

Acquires the system status of this unit.

One of the following status codes is sent.

- 0: Initial state, or no disc is loaded.
- 1: File system mount is OK.
- 3: File system mount is not OK.

**Syntax:** SITE FSTS <CRLF>

---

## SITE MEID

Acquires the media ID of the disc loaded in this unit.

**Syntax:** SITE MEID <CRLF>

### SITE FUNC

Acquires the function and version of the expanded commands.

Information is sent in the following format.

<main function> <SP> <branch function> <SP>  
<branch function version>

For XDCAM, sent in a format like “200 MXF DISK 1” (200 is a response code).

**Syntax:** SITE FUNC <CRLF>

### SITE UMMD

When C\*.MXF file is sent with the STOR, the copy source UMID is saved if this command is invoked immediately before the STOR command.

**Syntax:** SITE UMMD <CRLF>

### SITE DF

Acquires the amount of free disc space.

**Syntax:** SITE <SP> DF <CRLF>

### SITE CHMOD

Locks and unlocks clips. Also sets permissions for directories and files in the General directory.

**Syntax:** SITE CHMOD <SP> <flag> <SP> <path-name> <CRLF>

Specify one of the following values in <flag>, according to the specification in <path-name>.

- When a clip is specified in <path-name>:
  - 444: Lock.
  - 666: Unlock.
- When a directory in the General directory is specified in <path-name>:
  - 555: Forbid writing to the directory.
  - 777: Allow writing to the directory.
- When a file in the General directory is specified in <path-name>:
  - 444: Forbid writing to and execution of the file.
  - 555: Forbid writing to the file, but allow execution.
  - 666: Allow writing to the file, but forbid execution.
  - 777: Allow writing to and execution of the file.

**Input example:** SITE CHMOD 444 Clip/  
C0001.MXF (Lock clip C0001.MXF)

## Recording Continuous Timecode With FAM and FTP Connections

When you are connected to the unit by FAM or FTP, you can create new clips with timecode that is continuous with the timecode of the last frame of the last clip on the disc. To record continuous timecode, set PRESET/REGEN/CLOCK switch to “REGEN”, and then proceed as follows.

### FAM connection

Write clip files to the unit from the computer or other device that is connected to this unit.

### FTP connection

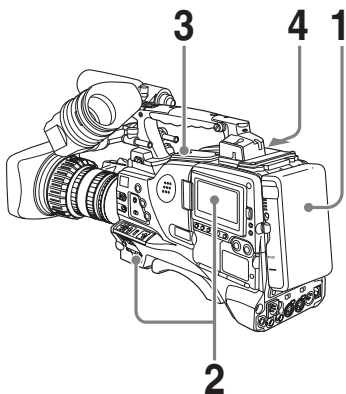
Use the “STOR” command to transfer clip files from the computer that is connected to this unit. If you issue the “SITE UMMD” command immediately before the “STOR” command, the original timecode of the transferred file is recorded, regardless of the setting of PRESET/REGEN/CLOCK switch.



## Testing the Camcorder Before Shooting

Check the functions of the camcorder before setting out for a shooting session, preferably by operating the camcorder together with a color video monitor.

### Preparations for testing

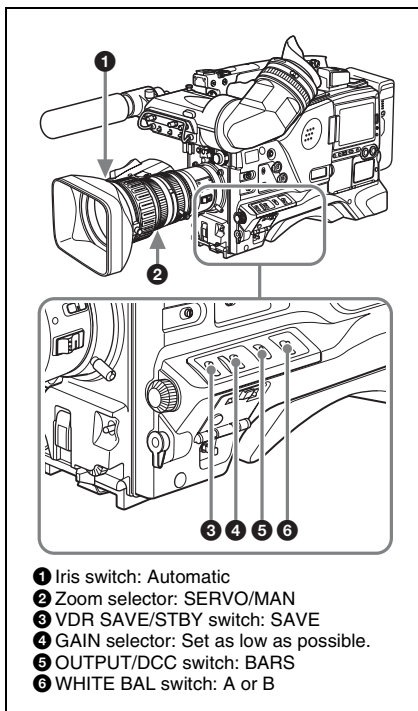


- 1** Attach a fully charged battery pack.
- 2** Set the **POWER** switch to **ON** and check that the **HUMID** indicator does not appear and that the **BATT** indicator shows at least five segments.
  - If the **HUMID** indicator appears, wait until it disappears.
  - If the **BATT** indicator does not show at least five segments, replace the battery pack with a fully charged one.
- 3** Check that there are no obstructions near the disc compartment, and then press the **EJECT** button to open the disc compartment lid.

- 4** After confirming that the disc is not write-protected, load the disc and close the disc compartment lid.

### Testing the camera

Set the switches and selectors as follows.



- 1** Iris switch: Automatic
- 2** Zoom selector: SERVO/MAN
- 3** VDR SAVE/STBY switch: SAVE
- 4** GAIN selector: Set as low as possible.
- 5** OUTPUT/DCC switch: BARS
- 6** WHITE BAL switch: A or B

### Testing the viewfinder

- 1** Adjust the position of the viewfinder.
- 2** Check that the color bars are displayed on the viewfinder screen, and adjust the **BRIGHT**, **CONTRAST**, and **PEAKING** controls to give the best color bar display.

**3 Check each of the following operations.**

- The menu is displayed on the viewfinder screen.
- Turn the MENU knob and check that the menu page changes to the next page.
- Press the MENU knob and check that settings of each item of the selected page are displayed.
- Turn the MENU knob and check that ➔ moves within the page.
- Press the MENU knob and check that ➔ placed before the item changes to ● and ● placed before the setting of the item changes to ?.
- Turn the MENU knob and check that the setting of the selected item changes.

**4 Set the OUTPUT/DCC switch to CAM, and change the FILTER selector position in the sequence of 1, 2, 3 and 4.**

Check that the FILTER indicator on the viewfinder screen displays the correct numbers.

**5 Carry out of the following operations, and check that the ! indicator lights if the corresponding item has been turned on on the '! LED page of the USER menu.**

- Set the gain to anything but 0 dB by using the GAIN selector and the GAIN SW page of the OPERATION menu.
- Set the SHUTTER selector to ON.
- Set the WHITE BAL switch to PRST.
- Use the lens extender.
- Set the reference value of the auto iris to other than the standard value.

**6 Flick the SHUTTER selector from ON to SELECT repeatedly, and check that the shutter setting changes on the viewfinder screen.****7 Pointing the camera at a suitable subject, focus the camera and check the picture on the viewfinder screen.****8 Set both of the AUDIO IN switches to FRONT, and check that when sound is input to a microphone connected to the MIC IN connector on the front of the**

**camcorder, the audio level indicators appear on the viewfinder screen.**

**9 Check that setting the ZEBRA switch to ON and OFF makes the zebra pattern appear and disappear on the viewfinder screen.****Note**

The results of checking in steps **3** to **9** may not be as expected, depending on the settings relating to the viewfinder display function. In this case, set the desired items on the VF DISP 1 and VF DISP 2 pages of the USER menu.

*For details, see "Selecting the display items" on page 171.*

---

**Testing the iris and zoom functions**

---

**1 Set the zoom to automatic zoom mode and check that the power zoom operates correctly.****2 Set the zoom to manual zoom mode and check the zoom functions manually.****3 Set the iris switch on the lens to AUTO and point the camera at objects of different brightness. Check that the automatic iris adjustment operates correctly.****4 Set the iris switch on the lens to MANUAL and check that turning the iris ring manually adjusts the iris correctly.****5 Set the iris switch on the lens back to AUTO and check the following points when the GAIN selector is moved from L to M to H.**

- Even when the brightness of the object does not change, the iris is automatically adjusted in accordance with the change in the gain setting..
- The gain indicator on the viewfinder screen changes to correspond to the change in setting.

- 6 If an extender mechanism is incorporated in your lens, put the extender lever of the lens into the 2× position and check the following points.**
- The indication “EX” appears at the top left on the viewfinder screen.
  - The auto iris functions correctly.

## Testing the VDR

Perform tests (1) to (7) consecutively.

### (1) Testing the recording and playback functions

- 1 Set the VDR SAVE/STBY switch to SAVE and check that the SAVE indicator in the viewfinder goes on.**
- 2 Set the VDR SAVE/STBY switch to STBY and check that the SAVE indicator in the viewfinder goes off.**
- 3 Set the switches located below the color LCD as follows.**  
**BRIGHT button:** H, M or L  
**DISP SEL/EXPAND button:** STATUS  
**DISPLAY switch:** COUNTER
- 4 Set the PRESET/REGEN/CLOCK switch to PRESET, and set the F-RUN/SET/R-RUN to R-RUN.**
- 5 Press the REC START button and check the following points.**
  - The indication in the counter display on each of the LCD monitor and monochrome LCD is changing.
  - The REC indicator in the viewfinder is on.
  - The RF and SERVO indicators on the color LCD are off.
- 6 Press the REC START button again.**  
 Check that recording stops and that the REC indicator in the viewfinder goes off.
- 7 Repeat the checks of steps 5 and 6, this time using the VTR button on the lens.**  
 Press the RESET/RETURN button and check that the indication in the counter display on each of the LCD monitor and monochrome LCD is “00:00:00:00”.

- 8 Press the F REV button, then press the PLAY/PAUSE button.**  
 Check that fast reverse playback and normal playback are performed.
- 9 Press the STOP button, then press the F FWD button.**  
 Check that playback stops and fast forward playback are performed.

- 10 Press the STOP button again, then press the PREV button.**  
 Check that the image of the beginning of the current or previous clip is displayed.
- 11 Press the NEXT button, and check that the image of the beginning of the next clip is displayed.**

### (2) Testing the automatic audio level adjusting functions

- 1 Set the AUDIO IN CH-1/CH-2 switches to FRONT.**
- 2 Set the AUDIO SELECT (CH-1/CH-2) switches to AUTO.**
- 3 Set the AUDIO IN CH-3/CH-4 switches to F (FRONT).**
- 4 Aim the microphone connected to the MIC IN connector at a suitable sound source. Check that the level indications for channels 1 to 4 correspond to the sound level, respectively.**

### (3) Testing the manual audio level adjusting functions

- 1 Set the AUDIO IN CH-1/CH-2 switches to FRONT.**
- 2 Turn the MIC LEVEL control. Check that the channel-1 and -2 audio level meters on the LCD monitor and monochrome LCD show more and more segments as you turn the control counterclockwise as seen from the front of the camcorder.**

---

#### (4) Testing the earphone and speaker

---

- 1** Turn the MONITOR volume control and check that the speaker volume changes accordingly.
- 2** Connect an earphone to the front or rear EARPHONE jack.
- 3** Check that the speaker sound is cut off and that you can hear the sound from the microphone in the earphone.
- 4** Turn the MONITOR volume control and check that the earphone volume changes accordingly.
- 5** Connect the earphone to the other EARPHONE jack. Check the earphone as in step 3.

---

#### (5) Testing external microphones

---

- 1** Connect external microphones to the AUDIO IN CH1/CH2 connectors.
- 2** Set the +48V/OFF switches as follows.
  - If the connected microphone is of the internal power supply type, set the switch to OFF.
  - If the connected microphone is of the external power supply type, set the switch to +48V.
- 3** Set the AUDIO IN switches to REAR.
- 4** Aim the microphones at a sound source.
- 5** Check that the audio level meters on the LCD monitor and monochrome LCD and the audio level indicators in the viewfinder reflect the changing sound level.

---

#### (6) Checking the XLR connection automatic detection function

---

Before starting to check, remove the front microphone connected to the MIC IN connector if it is connected.

- 1** Perform the operations of steps 1 and 2 explained in “(5) Testing external microphones”.

- 2** Set the AUDIO IN CH-1/CH-2 switches to FRONT.

- 3** Perform the operations of steps 4 and 5 explained in “(5) Testing external microphones”.

If the audio level meters on the color and monochrome LCDs and the audio level indicators in the viewfinder reflect the changing sound level, the function of the XLR connection automatic detection is working correctly.

If it does not reflect the changing sound level, the function of the XLR connection automatic detection function is off. Set REAR XLR AUTO to “ON” on the VDR MODE 1 page of the MAINTENANCE menu.

If it does not reflect even after making this setting, the XLR connection automatic detection function does not work correctly.

---

#### (7) Checking the user bit and timecode functions

---

- 1** Set the user bits as required.

*For the operation, see “Setting the user bits” on page 68.*

- 2** Set the timecode.

*For the operation, see “Setting the timecode” on page 68.*

- 3** Set the F-RUN/SET/R-RUN switch to R-RUN.

- 4** Press the REC START button, and check that recording starts and that the timecode indication in the counter display changes.

- 5** Press the REC START button again, and check that recording stops and that the timecode indication stops changing.

- 6 Set the F-RUN/SET/R-RUN switch to F-RUN, and check that the timecode indication starts changing again and continues to change even when you restart recording and stop recording again.
- 7 Set the DISPLAY switch to U-BIT, and check that the user bit data that was set is displayed.

## Maintenance

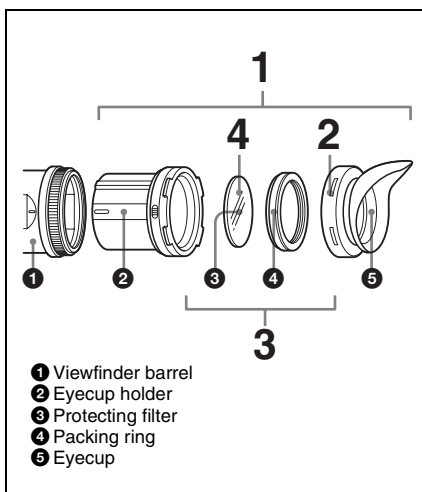
### Cleaning the viewfinder

Use a dust blower to clean the CRT screen and mirror inside the viewfinder barrel. Clean the lens and protecting filter with a commercially available lens cleaner.

#### Caution

Never use organic solvents such as thinners.

### Disassembling the eyepiece for cleaning



- 1 Detach the eyepiece from the viewfinder barrel.  
*For the detaching procedure, see "Detaching the eyepiece" on page 39.*
- 2 Remove the eyecup from the eyecup holder.
- 3 Remove the protecting filter, together with the packing ring, from inside the eyecup holder.
- 4 Detach the protecting filter from the packing ring.

---

## Fog-proof filter

---

Depending on the temperature and humidity, the protecting filter may mist because of vapor or your breath. To ensure that the viewfinder is always clear, replace the protecting filter with a fog-proof filter (option, part No. 1-547-341-11).

---

### Fitting the fog-proof filter

---

Replace the protecting filter on the packing ring with the fog-proof filter.

Be sure to correctly assemble the fog-proof filter, the packing ring, and the eyecup so that the reassembled eyepiece is waterproof.

#### Note

When cleaning the fog-proof filter, wipe it very gently with a soft cloth to avoid damaging the anti-fogging coating.

### Note about the battery terminal

The battery terminal of this unit (the connector for battery packs and AC adaptors) is a consumable part.

The unit may not operate properly if the pins of the battery terminal are bent or deformed by shock or vibrations, or if they become corroded due to prolonged outdoor use.

If you notice bending, deformation, or surface corrosion, contact your dealer or a Sony service representative as soon as possible to have the battery terminal replaced.

Periodic inspections are recommended to keep the unit working properly and to prolong its usable lifetime.

Contact your dealer or a Sony service representative for more information about inspections.

# Operation Warnings

If a problem occurs when the camcorder is powered or is being operated, a warning is issued by various visible and audible indicators. These visible and audible indicators are:


- In the status display on the LCD monitor: a warning message (“A” in the “Layout of the table of warning messages” below) and a warning indication (“B”)
- The WARNING indicator on the side panel of the camcorder (“C”), and a warning sound from the speaker and earphones (“D”)
- In the viewfinder: a warning message (“A”), and an indicator above or below the viewfinder screen (“E”)


The volume of the warning sound can be adjusted with the ALARM knob. Set the ALARM knob to the minimum position to suppress the sound.


## Layout of the table of warning messages

	Warning indication	State	WARNING indicator	Warning sound	REC/TALY	BATT
A	B		C	D	E	E
	Problem		VDR operation		Action to take	


- The operation of the WARNING indicator and the indicators in the viewfinder is represented by graphic symbols as follows.


 : Continuous


 : 1 flash/s

 : 4 flashes/s















- The warning sounds are represented by graphic symbols as follows.

 : Continuous beep









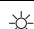



 : 1 beep/s




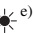








 : 4 beeps/s

## Warning messages

	Warning indication	State	WARNING indicator	Warning sound	REC/TALLY	BATT
Error***a)	—	—				—
	<b>Problem</b>		<b>VDR operation</b>		<b>Action to take</b>	
	Recording error		Recording stops.		Turn off the power and consult a Sony service representative.	
MEM Full!	Warning indication	State	WARNING indicator	Warning sound	REC/TALLY	BATT
	—	—				—
	<b>Problem</b>		<b>VDR operation</b>		<b>Action to take</b>	
Shockproof memory overflow		Recording continues but may be substandard.		Protect the unit from shocks and vibrations.		
ILL REC!	Warning indication	State	WARNING indicator	Warning sound	REC/TALLY	BATT
	—	—				—
	<b>Problem</b>		<b>VDR operation</b>		<b>Action to take</b>	
Input sync error		Recording continues but may be substandard.		Turn off the power and contact a Sony service representative. (This indication may be given momentarily when a GENLOCK signal is connected or disconnected, but this does not indicate a problem.)		
Verify ERR!	Warning indication	State	WARNING indicator	Warning sound	REC/TALLY	BATT
	—	—				—
	<b>Problem</b>		<b>VDR operation</b>		<b>Action to take</b>	
An error was detected in the signals recorded on the disc.		Recording continues but may be substandard.		Exchange the disc.		
Cache Full!	Warning indication	State	WARNING indicator	Warning sound	REC/TALLY	BATT
	—	—		—		—
	<b>Problem</b>		<b>VDR operation</b>		<b>Action to take</b>	
Cache memory became full during a Disc Exchange Change mode operation.		Video and audio recording may be interrupted.		Exchange the disc quickly.		



<b>Disc Error!</b>	<b>Warning indication</b>	<b>State</b>	<b>WARNING indicator</b>	<b>Warning sound</b>	<b>REC/TALLY</b>	<b>BATT</b>
	—	—	 b)	●) ●) ●) ●) b)	 b)	—
	<b>Problem</b>		<b>VDR operation</b>		<b>Action to take</b>	
A disc defect was detected.		Recording continues, avoiding the defect, but may be substandard.		If defects are detected repeatedly, exchange the disc.		
<b>HUMIDI</b>	<b>Warning indication</b>	<b>State</b>	<b>WARNING indicator</b>	<b>Warning sound</b>	<b>REC/TALLY</b>	<b>BATT</b>
	—	—	 b)	●) ●) ●) ●) b) ●)●)●)●)●)●)●) c)	 b)	—
	<b>Problem</b>		<b>VDR operation</b>		<b>Action to take</b>	
Condensation on the optical pickup		Recording/playback continues but stops when an error occurs on the drive.		Stop recording/ playback, turn off the power, then turn it on again, and wait until the HUMIDI indicator disappears.		
<b>Before Full<sup>h)</sup></b>	<b>Warning indication</b>	<b>State</b>	<b>WARNING indicator</b>	<b>Warning sound</b>	<b>REC/TALLY</b>	<b>BATT</b>
	DISC	flash <sup>f)</sup>	 b)	●)●)●)●)●)●)●)	 b)	—
	<b>Problem</b>		<b>VDR operation</b>		<b>Action to take</b>	
Disc almost full.		Operation continues.		Be prepared to exchange the disc.		
<b>Near MAX #</b>	<b>Warning indication</b>	<b>State</b>	<b>WARNING indicator</b>	<b>Warning sound</b>	<b>REC/TALLY</b>	<b>BATT</b>
	—	—	 b)	●)●)●)●)●)●)●)	 (only when recording the 300th clip) <sup>d)</sup>	—
	<b>Problem</b>		<b>VDR operation</b>		<b>Action to take</b>	
Nine or fewer clips remain until the upper limit of 300 is reached.		Operation continues.		Be prepared to exchange the disc.		
<b>DISC FULL<sup>i)</sup></b>	<b>Warning indication</b>	<b>State</b>	<b>WARNING indicator</b>	<b>Warning sound</b>	<b>REC/TALLY</b>	<b>BATT</b>
	DISC and E	flash <sup>g)</sup>	 d)	●)●)●)●)●)●)●)●)●)●) d)	 d)	—
	<b>Problem</b>		<b>VDR operation</b>		<b>Action to take</b>	
Disc full.		Recording stops.		Exchange the disc.		
<b>MAX # Clips</b>	<b>Warning indication</b>	<b>State</b>	<b>WARNING indicator</b>	<b>Warning sound</b>	<b>REC/TALLY</b>	<b>BATT</b>
	—	—	 d)	●)●)●)●)●)●)●)●)●)●) d)	 d)	—
	<b>Problem</b>		<b>VDR operation</b>		<b>Action to take</b>	
The upper limit of 300 recorded clips reached.		Cannot record.		Exchange the disc.		

<b>MAX # Files</b>	<b>Warning indication</b>	<b>State</b>	<b>WARNING indicator</b>	<b>Warning sound</b>	<b>REC/TALLY</b>	<b>BATT</b>
	—	—	 d)	●))))))))))))) d)	 (d)	—
	<b>Problem</b>		<b>VDR operation</b>		<b>Action to take</b>	
The upper limit of files reached.		Cannot record.		Exchange the disc.		
<b>LOW BATT<sup>h)</sup></b>	<b>Warning indication</b>	<b>State</b>	<b>WARNING indicator</b>	<b>Warning sound</b>	<b>REC/TALLY</b>	<b>BATT</b>
	BATT	flash f)		●)))))))))) e)	 e)	
	<b>Problem</b>		<b>VDR operation</b>		<b>Action to take</b>	
Battery almost exhausted.		Operation continues.		Replace the battery.		
<b>BATT EMPTY!</b>	<b>Warning indication</b>	<b>State</b>	<b>WARNING indicator</b>	<b>Warning sound</b>	<b>REC/TALLY</b>	<b>BATT</b>
	BATT and E	flash e)		●)))))))))))))		
	<b>Problem</b>		<b>VDR operation</b>		<b>Action to take</b>	
Battery exhausted.		Operation stops.		Replace the battery.		
<b>High TEMPI!</b>	<b>Warning indication</b>	<b>State</b>	<b>WARNING indicator</b>	<b>Warning sound</b>	<b>REC/TALLY</b>	<b>BATT</b>
	—	—		●))))))))))		—
	<b>Problem</b>		<b>VDR operation</b>		<b>Action to take</b>	
Internal temperature high.		Operation continues.		Power the unit off and move it to a cool place.		
<b>ACC Sensor!/ Skew Sensor</b>	<b>Warning indication</b>	<b>State</b>	<b>WARNING indicator</b>	<b>Warning sound</b>	<b>REC/TALLY</b>	<b>BATT</b>
	—	—		●))))))))))		—
	<b>Problem</b>		<b>VDR operation</b>		<b>Action to take</b>	
Internal drive sensor error		Operation continues.		Protect the unit from shocks and vibrations, turn off the power, and contact a Sony service representative.		

- a) Asterisks (\*) are replaced by digits in the display.  
 b) During recording  
 c) During playback, fast forward, fast reverse, or stop  
 d) During recording pause  
 e) During recording or pause  
 f) 1 flash/s  
 g) 4 flashes/s  
 h) During recording, displayed in the LCD monitor only  
 (When the DISP SEL/EXPAND button is set to STATUS)

For details about the warning displays and alarm messages on the viewfinder, see the next item.

## Operation/alarm messages

Operation and alarm messages are displayed in the operation/alarm message display area (see page 33) of the viewfinder screen.

<b>AUTO INTERVAL **M**S</b>	The unit is operating in Auto Interval Rec mode (**M**S: Indicates the shooting interval in minutes and seconds).
<b>MANU INTERVAL *FRAME</b>	The unit is operating in the single-shot mode of Manual Interval Rec mode (*FRAME: Indicates the number of frames recorded in one shot).
<b>INTERVAL **S (M/H) *FRAME</b>	The unit is operating in the consecutive mode of Manual Interval Rec mode (**S (M/H): Indicates the trigger interval, in seconds (minutes or hours), *FRAME: Indicates the number of frames recorded in one shot).
<b>LOW LIGHT</b>	Depending on the setting, the subject illumination is inadequate.
<b>ON-BOARD BATTERY EMPTY</b>	The backup battery of the internal clock is empty. <sup>a)</sup>
<b>DCP EEPROM DATA NG! DR EEPROM DATA NG! DCP/DR EEPROM DATA NG!</b>	If this message continues to appear even after the unit is powered off and on again several times, then the factory adjustment data is invalid. Contact a Sony service representative.

a) Contact a Sony service representative to replace the battery.

VDR operation messages are displayed in the setting change and adjustment progress message display area of the viewfinder screen (*see page 34*). Take the actions listed in the following table.

<b>ILL. Disc!</b>	A disc that cannot be used by this unit was inserted. Insert another Professional Disc.
<b>ILL. Index! No FS! Unknown FS!</b>	Index file or file system error. Exchange or format the disc.
<b>No Support!</b>	A recorded clip cannot be handled by this unit. Exchange or format the disc.
<b>FORMAT NG!</b>	The disc could not be formatted automatically. Exchange the disc.

<b>Disc Damage</b>	A disc that cannot be recorded was inserted. To record, exchange the disc.
<b>Non AV Full MAX # Files Over DUR!</b>	The disc is full. Exchange or format the disc.
<b>DI read err Read err DRV ADJ err</b>	The disc was not recognized. Try ejecting the disc and inserting it again. Or exchange the disc.
<b>Run Salvage</b>	A disc that requires salvage was inserted. To record on the disc, eject the disc, insert it again, and execute salvage processing.
<b>Salvage NG!</b>	Salvage processing failed. <i>For details, see "Handling of discs when recording does not end normally (salvage function)" on page 74.</i>
<b>Salvage XXXX</b>	The loaded disc cannot be salvaged by this unit. The "XXXX" in the message is a code for XDCAM devices that can salvage the disc. Refer to the list of device codes ( <i>see page 75</i> ) and salvage the disc using one of the indicated devices.
<b>REC INHL!</b>	The Write Inhibit tab of the disc is in the recording disabled position, or salvage processing needs to be done on the loaded disc. Set the tab to the recording enabled position. Or eject the disc, insert it again, and perform salvage processing.
<b>1080/50i 1080/25P 1080/59.94i 1080/29.97P 720/50P 720/59.94P 625/50i 525/59.94i</b>	The loaded disc has a different resolution or a different system frequency. To carry out recording operations, exchange the disc, or change the resolution or system frequency.

<b>HD422 1080 HD422 720 HD420 1080 HD420 720 IMX50 Clip IMX40 Clip IMX30 Clip DVCAM 8CHx16 Clip 4CHx24 Clip 2CHx16 Clip</b>	The loaded disc has a different recording format. To carry out recording operations, exchange the disc, or change the recording format.	<b>Cache REC!</b>	An attempt was made to perform an operation that cannot be performed when the picture cache function is enabled. The operation will be ignored.
<b>Index File!</b>	There is an unsupported index file on the disc to which you are trying to record. Exchange or format the disc.	<b>Disc Exchag!</b>	An attempt was made to perform an operation that cannot be performed when the disc exchange cache function is enabled. The operation will be ignored.
<b>File System</b>	There is an unsupported file system on the disc to which you are trying to record. Exchange or format the disc.	<b>SB CLP mode</b>	An essence mark or clip flag operation was attempted while the SUB CLIP indicator was lit. Press the SUB CLIP/DISC MENU button to turn the indicator off and try again.
<b>ILL. PLAY!</b>	An A/V phase error occurred during playback. Stop the disc.	<b>No SEL List</b>	No clip list is selected. Create a new clip list, or load a clip list from the disc.
<b>Lid Closed!</b>	The lid of the disc compartment does not open. Check the lid.	<b>No List!</b>	There is no clip list. Create a clip list.
<b>Lid Open!</b>	The lid of the disc compartment is not closed. Close it securely.	<b>No SUB Clip</b>	There are no sub clips in the clip list. Register a sub clip, or load another clip list.
<b>No Clip!</b>	There are no clips recorded on the disc. Exchange for a recorded disc.	<b>SUB Clip NG</b>	The In and Out point positions are invalid. Set correct In and Out points.
<b>No Disc!</b>	There is no disc loaded. Insert a disc and try the operation again.	<b>MAX# SB CLP</b>	The total number of sub clips is over the upper limit (300).
<b>STOPONCE! REC mode!</b>	The operation is not possible while the disc is being played or recorded. Stop the disc.	<b>CL OVER DUR</b>	The total duration of sub clips in the current clip list is over the upper limit (24 hours).
<b>Loading! Unloading!</b>	An operation was attempted while a disc was loading or unloading. Wait for the disc to finish loading or unloading and try again.	<b>FAN Stopped DR-FAN Stop</b>	The main unit or drive fan has stopped. Avoid use under high temperatures, turn off the power, and contact a Sony service representative.
<b>Disc Top! Disc End!</b>	The operation is not possible because the disc is at the top or end.	<b>NVRAM NG!</b>	An error was detected while accessing internal memory. Power the unit off and contact a Sony service representative.
<b>Formatting!</b>	The disc is being automatically formatted. Wait until the format ends.	<b>Update Err!</b>	A firmware update failed. Power the unit off and contact a Sony service representative.
<b>Recording</b>	The unit is writing to the file system. Wait until writing finishes.	<b>Unknown USB</b>	An unsupported USB device was connected to this unit.
<b>No EM Space EM Full!</b>	Essence marks cannot be inserted. For details, see "Recording essence marks" on page 80.		

## Alarm messages during thumbnail search, scene selection, and clip list operations

An alarm message may appear in the LCD monitor during thumbnail search, scene selection, and clip list operations. In that case, take the action indicated in the following table.

<b>Cannot Expand Clip any Further.</b>	The clip cannot be expanded into more blocks. This alarm appears when the DISP SEL/EXPAND button is pressed when the number of blocks is maximum, or when the duration of an expanded thumbnail is one frame.
<b>Selected Essence Mark Does not Exist.</b>	The selected essence mark does not exist. This alarm appears in the essence mark selection screen when the specified essence mark does not exist on the disc.
<b>Sub Clip is Invalid. Set Appropriate IN/OUT Points.</b>	The temporal relationship between the specified In and Out points in a TRIM operation ( <i>see page 117</i> ) is not correct. Reset so that the value of the Out point timecode is larger than the value of the In point timecode.
<b>Duration of One Clip List must be Less than 24 Hours.</b>	The total duration of the current clip list exceeds the upper limit of 24 hours as the result of an Add Sub Clips ( <i>see page 115</i> ) or Trim Sub Clip ( <i>see page 117</i> ) operation.
<b>No More Sub Clips can be Added to the Clip List.</b>	The total number of the sub clips of the current clip list exceeds the upper limit of 300 as the result of an Add Sub Clips ( <i>see page 115</i> ) or Trim Sub Clip ( <i>see page 117</i> ) operation.
<b>Sub Clip does not Exist.</b>	An attempt is made to execute a Move Sub Clips ( <i>see page 116</i> ), Trim Sub Clip ( <i>see page 117</i> ), Delete Sub Clips ( <i>see page 117</i> ), or Set Start Time Code ( <i>see page 118</i> ) operation with no sub clips in the current clip list.
<b>Clip List does not Exist.</b>	An attempt is made to execute a Delete Clip List operation ( <i>see page 120</i> ) when there are no clip lists on the disc.

<b>Move is Invalid.</b>	An attempt is made to execute a Move Sub Clips operation ( <i>see page 116</i> ) when there are no sub clip in the current clip list, or when there is only one.
<b>Shot Mark does not Exist.</b>	An attempt is made to execute a Delete Shot Mark ( <i>see page 106</i> ) operation on a clip with no shot marks recorded in.
<b>Chapter does not Exist.</b>	An attempt was made to display a nonexistent chapter.
<b>Rec Start cannot be Deleted.</b>	An attempt is made to delete a Rec Start with a Delete Shot Mark operation. Only Shot Mark1 and Shot Mark2 essence marks can be deleted.
<b>Rec Start cannot be Moved.</b>	An attempt was made to move a Rec Start essence mark with a Move Shot Mark operation. Only Shot Mark1 and Shot Mark2 essence marks can be moved.
<b>Command Disabled.</b>	An attempt was made to execute the Format Disc command with Disable "Format Disc" set to "Disable".
<b>Clip is Locked.</b>	An attempt is made to delete a clip, set the clip thumbnail, or delete a shot mark when the clip is locked.
<b>All Clips are Locked.</b>	An attempt is made to execute a Lock All Clips operation when all clips are already locked.
<b>All Clips are Unlocked.</b>	An attempt is made to execute an Unlock All Clips operation when all clips are already unlocked.
<b>A File with the Name you Specified Already Exists. Specify a Different Name.</b>	A file name that was specified in a Set Clip Name operation already exists.
<b>Set NAMING FORM to "free"</b>	An attempt was made to rename a clip with Set Clip Name when NAMING FORM is not set to "FREE" ( <i>see page 91</i> ).

<b>“No Flash Drive”</b>	In the media selection screen of the Load Planning Metadata/ Select Drive command, “USB Flash Drive” was selected with no USB flash drive connected.
-------------------------	--

# Appendix

## Important Notes on Operation

### Use and storage

#### Do not subject the unit to severe shocks

The internal mechanism may be damaged or the body warped.

#### Do not cover the unit while operating

Putting a cloth, for example, over the unit can cause excessive internal heat build-up.

#### After use

Always turn off the POWER switch.

#### Before storing the camcorder for a long period

Remove the battery pack.

#### Shipping

- Remove the disc before transporting the unit.
- If sending the unit by truck, ship, air or other transportation service, pack it in the shipping carton of the unit.

#### Care of the unit

Remove dust and dirt from the surfaces of the lenses or optical filters using a blower.

If the body of the unit is dirty, clean it with a soft, dry cloth. In extreme cases, use a cloth steeped in a little neutral detergent, then wipe dry. Do not use organic solvents such as alcohol or thinners, as these may cause discoloration or other damage to the finish of the unit.

#### In the event of operating problems

If you should experience problems with the unit, contact a Sony representative.

### Use and storage locations

Store in a level, ventilated place. Avoid using or storing the unit in the following places.

- In excessive heat or cold (operating temperature range: 0°C to 40°C (32°F to 104°F))

- Remember that in summer in warm climates the temperature inside a car with the windows closed can easily exceed 50°C (122°F).
- In damp or dusty locations
- Locations where the unit may be exposed to rain
- Locations subject to violent vibration
- Near strong magnetic fields
- Close to radio or TV transmitters producing strong electromagnetic fields.
- In direct sunlight or close to heaters for extended periods

#### To prevent electromagnetic interference from portable communications devices

The use of portable telephones and other communications devices near this unit can result in malfunctions and interference with audio and video signals.

It is recommended that the portable communications devices near this unit be powered off.

#### Note on laser beams

Laser beams may damage the CCDs.

If you shoot a scene that includes a laser beam, be careful not to let the laser beam be directed into the lens of the camera.

### Condensation

If you move the camcorder from a very cold place to a warm place, or use it in a damp location, condensation may form on the optical pickup. Then, if the camcorder is operated in this state, recording and playback may not be performed properly.

Do the following to prevent this from happening.

- When you move or operate the camcorder in an environment where condensation may form, be sure to load a disc in advance and close the disc compartment lid.
- Whenever you turn on the power, check that the HUMID indicator does not appear on the color LCD. If it appears, wait until it disappears before loading a disc.

*For details, see "Loading and unloading a disc" on page 73 and "Operation Warnings" on page 215.*

---

## Fitting the zoom lens

---

It is important to fit the lens correctly, as otherwise damage may result. Be sure to refer to the section “Mounting the Lens” on page 42.

---

## Viewfinder

---

- Do not leave the unit with the eyepiece pointing directly at the sun.  
The eyepiece lens can concentrate the sun’s rays and melt the interior of the viewfinder.
- Do not use the viewfinder close to strong magnetic fields. This can cause picture distortion.

---

## About the LCD panels

---

LCD panels are manufactured with extremely high-precision technology that yields effective pixel rates of 99.99% or higher. However, very rarely, one or more pixels may be permanently dark or permanently lit in white, red, blue, or green.

This phenomenon is not a malfunction. Such pixels have no effect on the recorded data, and the unit may be used with confidence even if they are present.

---

## Phenomena specific to CCD image sensors

---

The following phenomena that may appear in images are specific to CCD (Charge Coupled Device) image sensors. They do not indicate malfunctions.

### White flecks

Although the CCD image sensors are produced with high-precision technologies, fine white flecks may be generated on the screen in rare cases, caused by cosmic rays, etc. This is related to the principle of CCD image sensors and is not a malfunction.

The white flecks especially tend to be seen in the following cases:

- When operating at a high environmental temperature
- When you have raised the master gain (sensitivity)

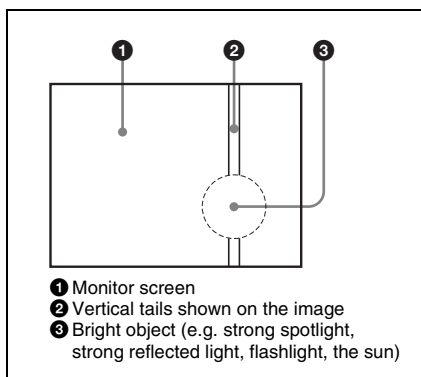
The problem may be alleviated by executing the APR (automatic pixel noise reduction) function on the APR page of the MAINTENANCE menu (*see page 156*). Pixel noise is reduced to some extent by automatic black balance adjustment (*see page 55*), but the detection capabilities of that function are limited. For the most effective correction, execute the APR function.

If “No More White Pixel” appears after the APR function is executed, then there are no more detectable white flecks.

In SLS mode, white flecks are more prominent when you set the shutter speed (number of frames) to higher values. Executing the APR(SLS) function on the APR page (*see page 156*) may alleviate the problem of white flecks in SLS mode.

### Vertical smear

When an extremely bright object, such as a strong spotlight or flashlight, is being shot, vertical tails may be produced on the screen, or the image may be distorted.



### Aliasing

When fine patterns, stripes, or lines are shot, they may appear jagged or flicker.



# Specifications

## General

### Power voltage

12 V DC +5.0/-1.0 V

### Power consumption

Approx. 40 W <sup>1)</sup>

Approx. 44 W <sup>2)</sup>

Approx. 46 W <sup>3)</sup>

### Note

Do not allow the total power consumption of this unit and peripherals to exceed 100 W when peripherals are connected.

However, power consumed by the HDCA-702 MPEG TS Adaptor is not counted in the total power consumption.

- 1) Recording, main unit only, power from battery pack, VDR SAVE/STBY switch set to SAVE, LCD monitor on (backlight: low).
- 2) Recording, options installed (HDVF-20A viewfinder, ECM-680S microphone, lens), power from battery pack, VDR SAVE/STBY switch set to SAVE, LCD monitor on (backlight: low).
- 3) Recording, options installed (HDVF-20A viewfinder, ECM-680S microphone, lens), DC power, VDR SAVE/STBY switch set to STBY, LCD monitor on (backlight: high).

### Operating temperature

-5°C to +40°C (23°F to 104°F)

### Operating humidity

10% to 90% (relative humidity)

### Storage temperature

-20°C to +60°C (-4°F to +140°F)

### Recording format

Video: MPEG HD 422 50 Mbps

Proxy video: MPEG-4

Audio: MPEG HD 422: 4 channels, 24 bits/48 kHz

Proxy audio: A-law, 4 channels, 8 bits/8 kHz

### Continuous operating time

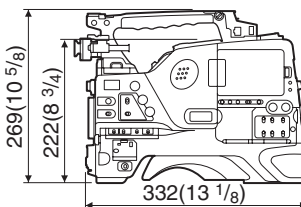
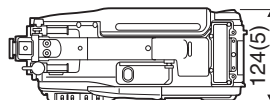
Approx. 120 min. (with BP-GL95)

### Mass

Approx. 4.3 kg (9 lb 7 oz) (main body only)

Approx. 6.0 kg (13 lb 3 oz) (with HDVF-20A viewfinder, ECM-680S microphone, disc and BP-GL95 Battery Pack)

### Dimensions in mm (inches)



## Video camera section

### Imager

<sup>2</sup>/<sub>3</sub>-inch type, 1920 (H) × 1080 (V)

### Imager Configuration

RGB 3 CCDs

### Spectral system

F1.4 prism system (with quartz filter)

### Built-in filters

ND filter (optical)

1: Clear

2: <sup>1</sup>/<sub>4</sub> ND

3: <sup>1</sup>/<sub>16</sub> ND

4: <sup>1</sup>/<sub>64</sub> ND

### Lens mount

<sup>2</sup>/<sub>3</sub>-inch 48 bayonet mount

### Sensitivity

F11 (system frequency: 59.94i)

F12 (system frequency: 50i)

(89.9% reflection chart, 2000 lx)

**Minimum illumination**

0.016 lx (F1.4, +42 dB, with 16-frame accumulation)

**Video S/N ratio**

59 dB (With noise suppression on. Off value is 54 dB.)

**Modulation (at screen center)**

45% or more

**Registration**

0.02% or less for entire screen area (excluding distortion due to lens)

**Geometric distortion**

None identified (excluding distortion due to lens)

**Smear**

-135 dB

**LCD panel**

3.5 inches  
Pixel resolution: 250,880 pixels

**Optical disc drive section****General****Usable disc**

PFD50DLA Professional Disc  
(capacity: 50.0 GB)  
PFD23A Professional Disc (capacity:  
23.3 GB)

**Data transfer rate**

Max. 72 Mbps

**Recording/playback time**

MPEG IMX 50 Mbps  
PFD50DLA: Approx. 95 minutes  
PFD23A: Approx. 43 minutes

**Digital video****Sampling frequency**

Y: 74.176 MHz (59.94i), 74.25 MHz  
(50i/25P)  
Pb/Pr: 37.088 MHz (59.94i), 37.125  
MHz (50i/25P)

**Quantization**

8 bits/sample

**Compression**

MPEG-2 4:2:2P@HL 50 Mbps

**Audio (with standard playback machine)****Frequency response**

20 Hz to 20 kHz, +0.5 dB/-1.0 dB

**Dynamic range**

93 dB min.

**Distortion (THD)**

0.08% max.

**Cross talk**

-70 dB max.

**Wow and flutter**

Below measurable limit

**Input/output connectors****Signal inputs****AUDIO IN CH1/CH2: XLR type, 3-pin, female**

-60 dBu/+4 dBu (0 dBu = 0.775 Vrms)

**MIC IN: XLR type, 5-pin, female**

-60 dBu

**GENLOCK IN: BNC type**

1.0 Vp-p, 75 Ω, unbalanced

**TC IN: BNC type**

0.5 V to 18 Vp-p, 10 kΩ

**Signal outputs****TEST OUT: BNC type**

VBS/Y (component): 1.0 Vp-p, 75 Ω,  
unbalanced

**SDI OUT 1/2: BNC type**

HD-SDI/SD-SDI: 0.8 Vp-p, unbalanced

**AUDIO OUT: XLR type, 5-pin, male**

0 dBm

**TC OUT: BNC type**

1.0 Vp-p, 75 Ω

**EARPHONE (minijack)**

8 Ω, -∞ to -18 dBs variable


**Others****DC IN: XLR type, 4-pin, male**


11 to 17 V DC

**DC OUT: 4-pin**

11 to 17 V DC, maximum rated current  
0.5 A

**LENS: 12-pin****REMOTE: 8-pin****LIGHT: 2-pin**

 (i.LINK) S400: 6-pin, complies with IEEE  
1394

 (network): RJ-45 type

100BASE-TX: Complies with  
IEEE802.3u

10BASE-T: Complies with IEEE802.3

USB 2.0: HOST Type-A, 4-pin (for maintenance)

## Supplied accessories

Shoulder strap (1)

Microphone cable (for converting 3-pin  
connector to two 5-pin connectors) (1)

Operation manuals

English version (1)

Japanese version (1)

CD-ROM manual (1)

XDCAM Application Software CD-ROM (1)

## Recommended additional equipment

### Power supply and related equipment

**BP- GL65/GL95/L60S/L80S Battery Pack**

**BC-M150/L500/L70 Battery Charger**

**AC-DN10/DN2B AC Adaptor**

### Viewfinder and related equipment

**HDVF-20A/200/C35W Viewfinder**

**BKW-401 Viewfinder Rotation Bracket**

#### Note

Contact a Sony service representative for information  
about the viewfinders able to use the BKW-401.

### Equipment for remote control

**RM-B150/B750 Remote Control Unit**

#### “Memory Stick”

“Memory Stick”

“Memory Stick PRO” (4 GB or less)

“Memory Stick Duo”

“Memory Stick PRO Duo”

### Audio equipment

**ECM-680S Stereo/Monaural Microphone**

**ECM-678/674 Monaural Microphone**

**CAC-12 Microphone Holder**

**DWR-S01D Digital Wireless Receiver**

**WRR-855S UHF Synthesized Tuner Unit**

**WRR-860A/861/862 UHF Synthesized Diver-  
sity Tuner**

**WRT-850/860 UHF Synthesized Transmitter**

**DWT-B01 Digital Wireless Transmitter**

**DMX-P02 Portable Digital Mixer**

### Expansion boards and upgrade software

**CBK-HD01 HD/SD SDI Input Board**

**CBK-SC02 Analog Composite Input Board**

**CBKZ-MD01 SD Record and Playback Soft-  
ware**

### Other peripheral devices

**HDCA-702 MPEG TS Adaptor**

### Equipment for maintenance and easier handling

**LC-777 Hard Carrying Case**

**LC-DS300SFT Soft Carrying Case**

**VCT-14 Tripod Adaptor**

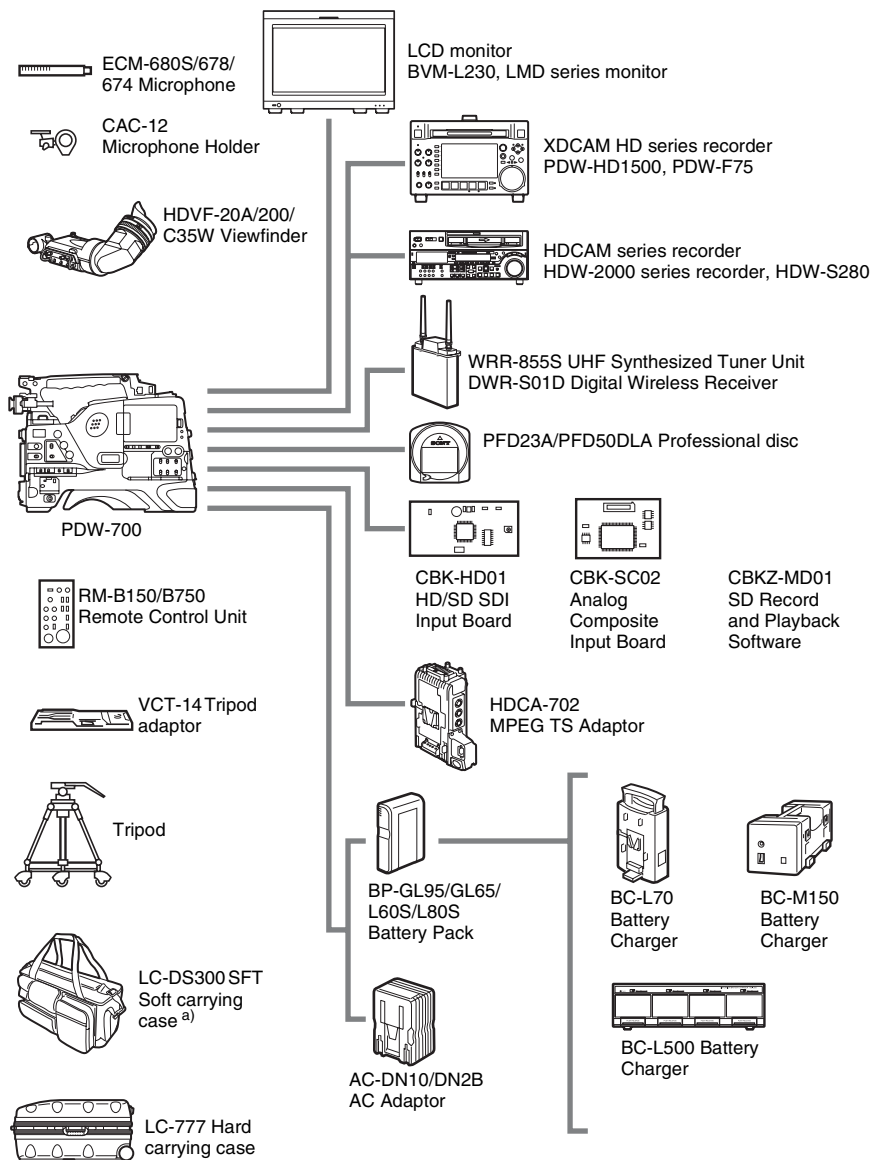
**Maintenance Manual**

Design and specifications are subject to change without notice.

**Notes**

- Always make a test recording, and verify that it was recorded successfully.  
SONY WILL NOT BE LIABLE FOR DAMAGES OF ANY KIND INCLUDING, BUT NOT LIMITED TO, COMPENSATION OR REIMBURSEMENT ON ACCOUNT OF FAILURE OF THIS UNIT OR ITS RECORDING MEDIA, EXTERNAL STORAGE SYSTEMS OR ANY OTHER MEDIA OR STORAGE SYSTEMS TO RECORD CONTENT OF ANY TYPE.
- Always verify that the unit is operating properly before use. SONY WILL NOT BE LIABLE FOR DAMAGES OF ANY KIND INCLUDING, BUT NOT LIMITED TO, COMPENSATION OR REIMBURSEMENT ON ACCOUNT OF THE LOSS OF PRESENT OR PROSPECTIVE PROFITS DUE TO FAILURE OF THIS UNIT, EITHER DURING THE WARRANTY PERIOD OR AFTER EXPIRATION OF THE WARRANTY, OR FOR ANY OTHER REASON WHATSOEVER.

# Chart of Optional Components and Accessories



a) The carrying case is large enough to hold the camcorder with lens and microphone mounted. However, remove them if they protrude more than 25 cm from the front of the main unit.

# Using PDZ-1 Proxy Browsing Software

When a computer with the PDZ-1 Proxy Browsing Software installed is connected to this unit, you can transfer the proxy AV data and metadata files recorded on a disc to the computer. On the computer side, PDZ-1 enables you to browse the proxy AV data, add or modify metadata (titles, comments, essence marks, etc.), or create a clip list.

The modified metadata and the created clip list can then be written back to the disc loaded in this unit.

*For more information about PDZ-1 functions and operations, refer to the PDZ-1 help.*

---

## System requirements

---

The following are required to use PDZ-1.

**Computer:** PC with Intel Pentium M processor, at least 1 GHz (installed memory: at least 512 MB)

**Operating system:** Microsoft Windows XP Professional SP2 or higher, Windows Vista Ultimate/Business (32 bit), or Mac OS X v10.4.11 or higher

**Web browser:** Internet Explorer 6.0 SP1 or higher

**DirectX:** DirectX 8.1b or higher

---

## To install PDZ-1

---

Insert the supplied CD-ROM (XDCAM Application Software) into the CD-ROM drive of your computer, and run the installer in the PDZ-1 directory.

*For details, refer to the ReadMe file contained on the CD-ROM disc.*

### Notes

- Make sure that the hard disk drive on which the work folder to store the material transferred from this unit has adequate free space.
- To transfer files between the computer and this unit requires this unit's IP address and other network-related settings to be made.

# List of Supported USB Keyboards

## When the area of use is set to NTSC AREA or PAL AREA

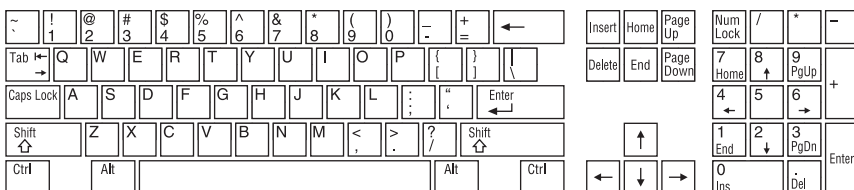
On this unit, you can enter any of the characters and symbols supported by the keyboards listed below.

Select the corresponding language by selecting Settings >Select USB Keyboard Language in the Disc Menu (see page 110).

### English [United Kingdom]



### English [United States]



### French [France]



### German [Germany]



### Italian [Italy]

~	1	2	€ 3	\$ 4	% 5	& 6	/ 7	( 8	) 9	= 0	? ^	←
Tab →	Q	W	E	R	T	Y	U	I	O	P	é { * }	Enter
→	→	→	→	→	→	→	→	→	→	→	è { + }	←
Caps Lock	A	S	D	F	G	H	J	K	L	Ç	à #	Shift
Shift ↑	>	Z	X	C	V	B	N	M	;	:	-	Shift ↓
Ctrl		Alt								Alt Gr		Ctrl

Insert	Home	Page Up	Num Lock	/	*	-
Delete	End	Page Down	7 Home	8 ↑	9 PgUp	+
			4	5	6 →	
			1	2 ↓	3 PgDn	Enter
	↑		End	↓	↓	
←	↓	→	0	Ins	Del	

### Polish (Programmers) [Poland]

~	1	@	# 3	\$ 4	% 5	^ 6	& 7	* 8	( 9	) 0	- +	←
Tab →	Q	W	E	R	T	Y	U	I	O	P	{ [ }	Enter
→	→	→	→	→	→	→	→	→	→	→	{ [ }	←
Caps Lock	A	S	D	F	G	H	J	K	L	:	" ' *	Enter
Shift ↑	>	Z	X	C	V	B	N	M	<	>	? /	Shift ↓
Ctrl		Alt									Alt Gr	Ctrl

Insert	Home	Page Up	Num Lock	/	*	-
Delete	End	Page Down	7 Home	8 ↑	9 PgUp	+
			4	5	6 →	
			1	2 ↓	3 PgDn	Enter
	↑		End	↓	↓	
←	↓	→	0	Ins	Del	

### Russian [Russia]

~	1	@	# 3	\$ 4	% 5	^ 6	& 7	* 8	( 9	) 0	- +	←
Tab →	Q	W	E	R	T	Y	U	I	O	P	{ [ }	Enter
→	→	→	→	→	→	→	→	→	→	→	{ [ }	←
Caps Lock	A	S	D	F	G	H	J	K	L	:	" ' *	Enter
Shift ↑	>	Z	X	C	V	B	N	M	<	>	? /	Shift ↓
Ctrl		Alt									Alt Gr	Ctrl

Insert	Home	Page Up	Num Lock	/	*	-
Delete	End	Page Down	7 Home	8 ↑	9 PgUp	+
			4	5	6 →	
			1	2 ↓	3 PgDn	Enter
	↑		End	↓	↓	
←	↓	→	0	Ins	Del	

### Spanish [Spain]

~	1	@	# 3	\$ 4	% 5	& 6	/ 7	( 8	) 9	= 0	? ^	←
Tab →	Q	W	E	R	T	Y	U	I	O	P	^ [ + ]	Enter
→	→	→	→	→	→	→	→	→	→	→	^ [ + ]	←
Blq Mayus	A	S	D	F	G	H	J	K	L	Ñ	~ { }	Enter
Shift ↑	>	Z	X	C	V	B	N	M	:	;	-	Shift ↓
Control		Alt									Alt Gr	Control

Insert	Inicio	Re Pág	Blq Num	/	*	-
Supr	Fin	AV Pág	7 Inicio	8 ↑	9 Re Pág	+
			4	5	6 →	
			1	2 ↓	3 AV Pág	Intro
	↑		Fin	↓	↓	
←	↓	→	0	Ins	Supr	

## When the area of use is set to NTSC(J) AREA

The keyboard is fixed as the Japanese keyboard.

### Notes

- The keyboard language cannot be changed.
- It is not possible to enter Japanese hiragana, katakana, and kanji.

半角/全角 漢字	1	2	3 あ	4 っ	5 え	6 お	7 や	8 ゆ	9 よ	0	=	^	~	↑	Back Space
Tab →	Q	W	E	R	T	Y	U	I	O	P	~ [ + ]	Enter			
→	→	→	→	→	→	→	→	→	→	→	~ [ + ]	←			
Caps Lock 英数	A	S	D	F	G	H	J	K	L	ろ	れ	け	む	Shift	
Shift ↑	>	Z	X	C	V	B	N	M	:	;	-	? /	め	ろ	Shift ↓
Ctrl		Alt	無変換				変換	カタカナ ひらがな			Alt			Ctrl	

Insert	Home	Page Up	Num Lock	/	*	-
Delete	End	Page Down	7 Home	8 ↑	9 PgUp	+
			4	5	6 →	
			1	2 ↓	3 PgDn	Enter
	↑		End	↓	↓	
←	↓	→	0	Ins	Del	



## Trademarks and Licenses

### MPEG-4 Visual Patent Portfolio License

THIS PRODUCT IS LICENSED UNDER THE MPEG-4 VISUAL PATENT PORTFOLIO LICENSE FOR THE PERSONAL AND NON-COMMERCIAL USE OF A CONSUMER FOR

- (i) ENCODING VIDEO IN COMPLIANCE WITH THE MPEG-4 VISUAL STANDARD (“MPEG-4 VIDEO”) AND/OR
- (ii) DECODING MPEG-4 VIDEO THAT WAS ENCODED BY A CONSUMER ENGAGED IN A PERSONAL AND NON-COMMERCIAL ACTIVITY AND/OR WAS OBTAINED FROM A VIDEO PROVIDER LICENSED BY MPEG LA TO PROVIDE MPEG-4 VIDEO.

NO LICENSE IS GRANTED OR SHALL BE IMPLIED FOR ANY OTHER USE. ADDITIONAL INFORMATION INCLUDING THAT RELATING TO PROMOTIONAL, INTERNAL AND COMMERCIAL USES AND LICENSING MAY BE OBTAINED FROM MPEG LA, LLC. SEE [HTTP://WWW.MPEGLA.COM](http://WWW.MPEGLA.COM)

MPEG LA is offering licenses for (i) manufacturing/sales of any storage media storing MPEG-4 Visual video information (ii) distribution/broadcasting of MPEG-4 Visual video information in any manner (such as online video distribution service, internet broadcasting, TV broadcasting). Other usage of this product may be required to obtain license from MPEGLA. Please contact MPEG LA for any further information. MPEG LA, L.L.C., 250 STEELE STREET, SUITE 300, DENVER, COLORADO 80206, <http://www.mpegla.com>

### MPEG-2 Video Patent Portfolio License

ANY USE OF THIS PRODUCT OTHER THAN CONSUMER PERSONAL USE IN ANY MANNER THAT COMPLIES WITH THE MPEG-2 STANDARD FOR ENCODING

VIDEO INFORMATION FOR PACKAGED MEDIA IS EXPRESSLY PROHIBITED WITHOUT A LICENSE UNDER APPLICABLE PATENTS IN THE MPEG-2 PATENT PORTFOLIO, WHICH LICENSE IS AVAILABLE FROM MPEG LA, L.L.C., 250 STEELE STREET, SUITE 300, DENVER, COLORADO 80206.

“PACKAGED MEDIA” means any storage media storing MPEG-2 video information such as DVD movie which are sold/distributed to general consumers. Disc replicators or sellers of the PACKAGED MEDIA need to obtain licenses for their own business from MPEG LA. Please contact MPEG LA for any further information. MPEG LA, L.L.C., 250 STEELE STREET, SUITE 300, DENVER, COLORADO 80206 <http://www.mpegla.com>

### About IJG (Independent JPEG Group)

This software is based in part on the work of the Independent JPEG.

### Character display software “iType”

This product includes technology from Monotype Imaging Inc., including iType<sup>®</sup> and certain fonts.

## About a “Memory Stick”

### What is “Memory Stick”?

“Memory Stick” is a new compact, portable and versatile IC (Integrated Circuit) recording medium with a data capacity that exceeds a floppy disk. “Memory Stick” is specially designed for exchanging and sharing digital data among “Memory Stick” compatible products. Because it is removable, “Memory Stick” can also be used for external data storage.

“Memory Stick” is available in two sizes: standard size and compact “Memory Stick Duo” size.

### Types of “Memory Stick”

“Memory Stick” is available in the following five types to meet various requirements in functions.

#### “Memory Stick-R”

Stored data are not overwritten. You can write data to “Memory Stick-R” with “Memory Stick-R” compatible products only. Copyright protected data that requires MagicGate copyright protection technology cannot be written to “Memory Stick-R”.

#### “Memory Stick”

Stores any type of data except copyright-protected data that requires the MagicGate copyright protection technology.

#### “MagicGate Memory Stick”

Equipped with the MagicGate copyright protection technology.

#### “Memory Stick-ROM”

Stores pre-recorded, read-only data. You cannot record on “Memory Stick-ROM” or erase the pre-recorded data.

#### “Memory Stick PRO”

Equipped with the MagicGate copyright protection technology, designed for use only with equipment compatible with “Memory Stick PRO”.

### Available types of “Memory Stick”

With this camcorder, you can use a Sony “Memory Stick”, “Memory Stick Duo”, “Memory Stick PRO” whose capacity does not exceed 4 GB, and “Memory Stick PRO Duo”.

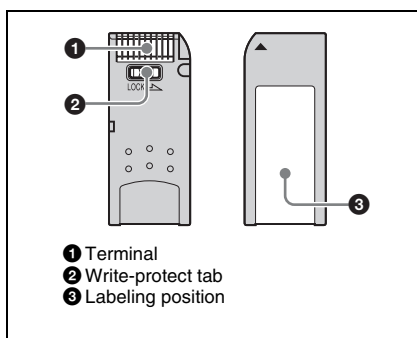
#### Note on data read/write speed

Data read/write speed may vary depending on the combination of the “Memory Stick” and “Memory Stick” compliant product you use.

#### What is MagicGate?

MagicGate is copyright protection technology that uses encryption technology.

### Before using a “Memory Stick”



- When you set the “Memory Stick” write-protect tab to “LOCK”, data cannot be recorded, edited, or erased. (“Memory Stick Duo” and “Memory Stick PRO Duo” do not have this function.)
- Data may be damaged if:
  - You remove the “Memory Stick” or turn off the unit while it is reading or writing data.
  - You use the “Memory Stick” in a location subject to the effects of static electricity or electric noise.
- We recommend that you make a backup copy of important data that you record on the “Memory Stick”.

#### Notes

- Do not attach anything other than the supplied label to the “Memory Stick” labeling position.
- Attach the label so that it does not stick out beyond the labeling position.
- Carry and store the “Memory Stick” in its case.
- Do not touch the connector of the “Memory Stick” with anything, including your finger or metallic objects.
- Do not strike, bend, or drop the “Memory Stick”.

- Do not disassemble or modify the “Memory Stick”.
- Do not allow the “Memory Stick” to get wet.
- Do not use or store the “Memory Stick” in a location that is:
  - Extremely hot, such as in a car parked in the sun
  - Under direct sunlight
  - Very humid or subject to corrosive substances

---

### “Memory Stick” access indicator

---

If the access indicator is turned on or is flashing, data is being read from or written to the “Memory Stick”. At this time, do not shake the computer or product or subject them to shock. Do not turn off the power of the computer and product or remove the “Memory Stick”. This may damage the data.

---

### Precautions

---

- To prevent data loss, make backups of data frequently. In no event will Sony be liable for any loss of data.
- Unauthorized recording may be contrary to the provisions of copyright law. When you use a “Memory Stick” that has been pre-recorded, be sure that the material has been recorded in accordance with copyright and other applicable laws.
- The “Memory Stick” application software of the camcorder may be modified or changed by Sony without prior notice.
- Note that there are certain restrictions on recording stage performances and other entertainment events, even if they are recorded for personal use only.

- “Memory Stick” and  are trademarks of Sony Corporation.
- “Memory Stick Duo” and **MEMORY STICK DUO** are trademarks of Sony Corporation.
- “Memory Stick PRO” and **MEMORY STICK PRO** are trademarks of Sony Corporation.
- “Memory Stick PRO Duo” and **MEMORY STICK PRO DUO** are trademarks of Sony Corporation.
- “Memory Stick-ROM” and **MEMORY STICK-ROM** are trademarks of Sony Corporation.
- “MagicGate Memory Stick” is a trademark of Sony Corporation.
- “MagicGate” and **MAGICGATE** are trademarks of Sony Corporation.

# Index

## Symbols

- ! (warning) indicator 31
- +48V/OFF switches 29

## Numerics

- 10BASE-T/100BASE-TX 28
- 5600K function 179

## A

- AC power 36
- ACCESS indicator 21
- Accessories 229
- Additional equipment 227
- ALARM knob 18
- ALL menu 126
- Area of use, setting 40
- Arrow buttons 26
- ASSIGN switches 18, 27
  - assigning functions 178
- ATW (Auto Tracing White Balance) 19
- Audio control section 26
- Audio format 23
- AUDIO IN CH1/CH2 connectors 29
- AUDIO IN CH-1/CH-2/CH-3/CH-4 switches 27
- Audio input system 44
- Audio level 33
  - adjusting playback level 18
  - adjusting recording level 65
- AUDIO LEVEL CH-1/CH-2 knobs 26
- Audio level indicators 23
- AUDIO OUT connector 29
- AUDIO SELECT CH-1/CH-2 switches 27
- AUTO W/B BAL switch 17

## B

- BATT indicator 31
- Battery attachment shoe 15
- Battery pack 35

- Black balance, adjusting 55
- BRIGHT button 22
- BRIGHT control 30
- Built-in speaker 20

## C

- CA (camera adapter) connector 16
- Camera operator tally indicator 30
- CANCEL/PRST/ESCAPE switch 20
- CC 5600K function 179
- Chapter
  - thumbnail screen 99
- Chapter function 106
- Clip 113
  - assigning user-defined name 90
  - assigning user-defined title 87
  - changing index picture 108
  - deleting 112
  - duration 97
  - finding 105
  - locking 111
  - properties 108
  - thumbnail screen 96
  - unlocking 112
- Clip flag
  - setting 80, 111
- Clip information 32
- Clip list 114
  - assigning user-defined name 90
  - clearing 119
  - creating and editing 114
  - deleting 120
  - loading 119
  - playback 114
  - saving 118
  - sorting 120
  - thumbnail screen 98
- Clip list editing 113
- Color LCD 20
  - status display 22
- COLOR TEMP. button 18
- Color temperature 32
  - changing 58, 59
  - setting manually 181
- Condensation 223
- CONTRAST control 30
- Controlling external device 33
- Cover 20
- Current clip list 114

- Customization
  - assigning functions to ASSIGN switches 178

## D

- Date, setting 41
- DC IN connector 15
- DC OUT 12V connector 15
- DCC (Dynamic Contrast Control) 19
- DIAGNOSIS menu 127, 161
- Digital extender function 180
- Digital hours meter 161
- Diopter adjustment ring 30
- Directory structure 194
- Disc
  - capacity 72
  - formatting 74, 123
  - loading and unloading 73
  - operations 121
  - playback conditions 79
  - playback start position 78
  - properties 121
  - restoring lost data 74
  - salvage function 74
  - unloading manually 73
  - write-protecting 72
- Disc Exchange Cache function 86
- Disc Menu 102
- DISP SEL/EXPAND button 21
- DISPLAY switch 22
- DISPLAY/ASPECT switch 30

## E

- EARPHONE jack 17, 29
- ECS (Extended Clear Scan) mode 62
- E-E (Electric-to-Electric) 17
- EJECT button 21
- Electric color temperature filter 33
- Electrical CC filter
  - switching 58, 59
- Electronic shutter 60
- Essence mark
  - finding scenes 106
  - recording 80
  - thumbnail screen 99
- Ethernet connector 28
- Expand
  - thumbnail screen 98

- Expand function 105
- Extender 32
- External battery 32
- External input status 34
- Eyecup 30

## F

- F FWD button 21
- F REV button 21
- File
  - ALL 127
  - ID 187
  - lens 127
  - reference 127
  - scene 127
  - user 127
- File access mode
  - for Macintosh 201
  - for Windows 199
- FILE menu 127, 157
- File operations 194
  - file access mode 199, 201
  - FTP 203
  - recording continuous timecode 208
  - restrictions 195
- Filter 33
- FILTER selector 17
- Fitting for optional microphone holder 16
- Flange focal length, adjusting 43
- Focus magnification function 180
- Format 54
- Freeze mix function 179
- F-RUN/SET/R-RUN switch 26
- FTP 203
  - command list 204

## G

- GAIN selector 19
- Gain value 33
  - setting 177
- GENLOCK IN connector 27
- Green tally indicator 31
- GUI screen
  - operations 103
  - switching 95
- GUI screen operations section 26

**H**

HOLD/CHAPTER button 22

**I**

i.LINK S400 connector 29

Index picture

changing 108

Indicators and status display 30

Internal clock 41

Interval Rec function 82

Iris setting/auto iris override 34

Iris, automatic adjustment 63

**L**

LCD monitor 20

selecting display items 171

status display 22

Lens cable clamp 16

LENS connector 16

Lens file, selecting 182

Lens locking lever 16

Lens mount 16

Lens mount cap 16

Lens mount securing rubber 16

Lens, mounting 42

Lid of the disc compartment 27

LIGHT connector 16

Light fitting shoe 15

LIGHT switch 14

LINE /AES/EBU / MIC selectors 29

Line input audio equipment, connecting 48

Live & Play function 78

**M**

Maintenance 213

MAINTENANCE menu 127, 145

Marker display

setting 173

“Memory Stick” 234

handling 185

jumping to file-related menu page 192

loading saved data 188

saving user menu data 186

“Memory Stick” compartment 20

Menu

disc menu 102

setting menu list 128

setting menu operations 163

setting menu organization 125

thumbnail menu 100

MENU button 26

MENU knob 17

MENU ON/OFF switch 20

Message

change confirmation/adjustment progress 172

operation/alarm 218

warning 216

MIC IN (+48 V) connector 16

MIC LEVEL control 18

Microphone holder 31

Microphone, connecting 44

MONITOR knob 18

MONITOR switches 18

Monochrome LCD 21

status display 22

**N**

ND filter 17

Network connector 28

NEXT button 21

Noise suppression function 144

**O**

OPERATION menu 126, 128

Operation/alarm message display area 33

Optional components 229

Output signal, selecting 178

OUTPUT/DCC switch 19

Ownership information 184

**P**

PAINT menu 126, 139

PDZ-1 Proxy Browsing Software 230

PEAKING control 30

Picture Cache function 81

Pixel noise reduction function 156

Planning metadata 92, 121

PLAY/PAUSE button 21

Playback

clip list 114

freeze-frame 78

normal 78

- search result 107
- Plug 30
- Power saving function 181
- Power source voltage/battery remaining capacity 32
- Power supply 35
- POWER switch 14
- PRESET/REGEN/CLOCK switch 26
- PREV button 21
- Protection cover of the audio control section 21
- Protection cover of the GUI screen operations section 21

## R

- REC indicator 31
- REC START button 17
- Recording
  - using memory cache 81
- Recording format 54
- Recording review 77
- Red tally indicator 31
- Remaining battery capacity indicator 25
- Remaining clips display 34
- Remaining disc capacity 33
- Remaining disc capacity indicator 25
- REMOTE connector 29
- Remote control unit, connecting 52
- RESET/RETURN button 22
- Resolution 23
- Retake function 87

## S

- Scene
  - editing 113
  - finding 105, 106
  - playback 107
- Scene file
  - loading 191
  - saving 189
- Scene selection 113
- Scrollbar 97
- SDI IN (OPTION) connector 27
- SDI OUT 1 connector 29
- SDI OUT 2 connector 29
- SET/S.SEL button 26
- Setting change and adjustment progress message display area 34

- SHIFT button 26
- Shooting
  - advanced operations 80
  - basic procedure 76
- Shortcut list 124
- Shot data
  - recording 174
- Shot ID
  - setting 175
- Shot mark
  - recording 80
- Shoulder pad 16
  - adjusting position 51
- Shoulder strap fitting 15
- Shoulder strap, using 50
- Shutter mode 60
- SHUTTER selector 17
- Shutter speed 33, 61
- Skip scroll 104
- Slow shutter function 62
- SLS (Slow Speed Shutter) mode 62
- Specifications 225
- Status confirmation screen 176
- Status display 23
- STATUS ON/SEL/OFF switch 19
- STOP button 21
- Stopper 30
- Sub clip 114
  - adding 115
  - changing start timecode 118
  - deleting 117
  - reordering 116
  - trimming 117
- SUB CLIP indicator 26
- SUB CLIP/DISC MENU button 26
- System frequency 23
  - setting 54

## T

- TALLY indicator 28, 31
- Tally indicator 30
- TALLY switch 28, 30
- TC IN connector 28
- TC OUT connector 28
- TEST OUT connector 28
- Testing 209
- Thumbnail
  - display items 97
  - operations 104

- searching 105
- selecting 104
- selecting clip information 107
- selecting multiple thumbnails 105
- Thumbnail image, setting 81
- THUMBNAIL indicator 26
- Thumbnail Menu 100
- THUMBNAIL/ESSENCE MARK button 26
- Time counter display 23
- Time data 68
- Time, setting 41
- Timecode 33
  - setting 68
  - synchronizing 69
- Time-lapse recording 82
- TOP menu 126
- Tripod mount 16
- Tripod, mounting 49

## U

- UHF portable tuner, attaching 46
- UMID data, setting 183
- USB connector 28
- User bits, setting 68
- USER menu 126
  - editing 167
  - resetting 170
- USER MENU CUSTOMIZE menu 126
- User menu data
  - loading 188
  - saving 186

## V

- VDR SAVE/STBY switch 19
- VF connector 16
- Video format 23, 32
  - setting 55
- Video from external devices
  - recording 93
- Video light, connecting 50
- Viewfinder
  - adjusting focus 39
  - adjusting position 37
  - adjusting screen 39
  - attaching 36
  - cleaning 213
  - detaching eyepiece 39
  - HDVF-20A (optional) 30

- moving shoe up 37
- rotation bracket 38
- screen 31
  - selecting display items 171
  - setting 174
  - status display 31
- Viewfinder cable 31
- Viewfinder fitting shoe 15
- Viewfinder front-to-back positioning knob 16
- Viewfinder front-to-back positioning lever 15
- Viewfinder left-to-right positioning ring 15
- VTR SAVE indicator 31

## W

- WARNING indicator 21
- Warning indicator area 24
- Warnings 215
- WHITE BAL switch 19
- White balance
  - adjusting 56
  - specifying offset 182
- White balance memory 33
- Wireless microphone reception level 32

## X

- XLR connection automatic detection function 46

## Z

- ZEBRA switch 30
- Zoom position 32



The material contained in this manual consists of information that is the property of Sony Corporation and is intended solely for use by the purchasers of the equipment described in this manual.

Sony Corporation expressly prohibits the duplication of any portion of this manual or the use thereof for any purpose other than the operation or maintenance of the equipment described in this manual without the express written permission of Sony Corporation.

PDW-700  
(SYL)  
3-297-520-03 (1)

# Sony Corporation

<http://www.sony.net/>

©2008

## Free Manuals Download Website

<http://myh66.com>

<http://usermanuals.us>

<http://www.somanuals.com>

<http://www.4manuals.cc>

<http://www.manual-lib.com>

<http://www.404manual.com>

<http://www.luxmanual.com>

<http://aubethermostatmanual.com>

Golf course search by state

<http://golfingnear.com>

Email search by domain

<http://emailbydomain.com>

Auto manuals search

<http://auto.somanuals.com>

TV manuals search

<http://tv.somanuals.com>