

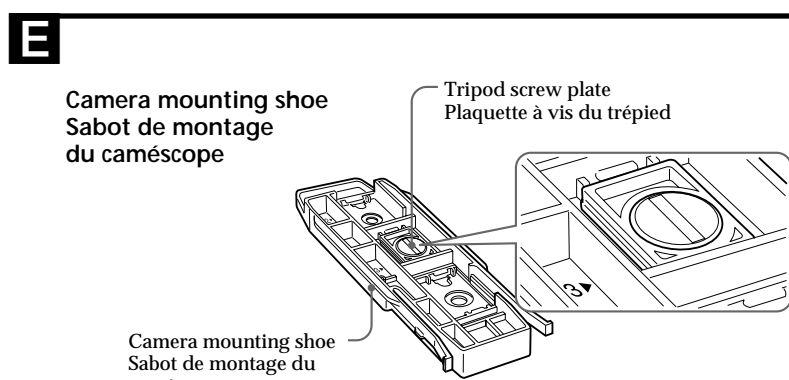
Sports Pack

Operating Instructions
Mode d'emploi
Bedienungsanleitung
Manual de instrucciones

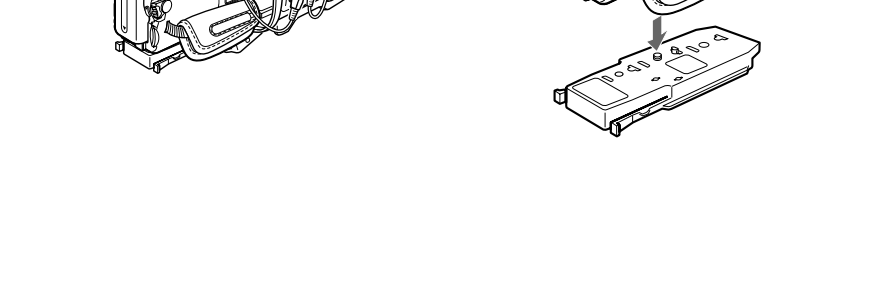
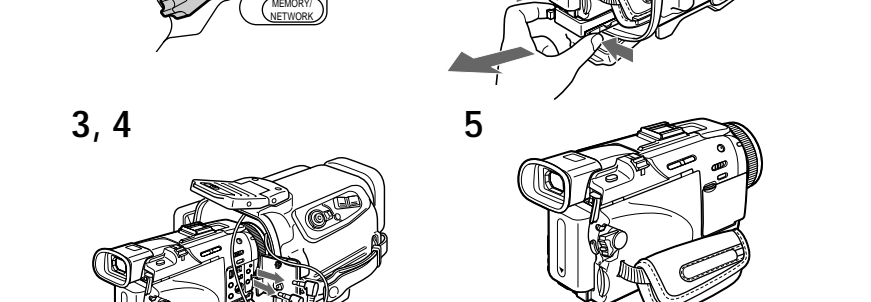
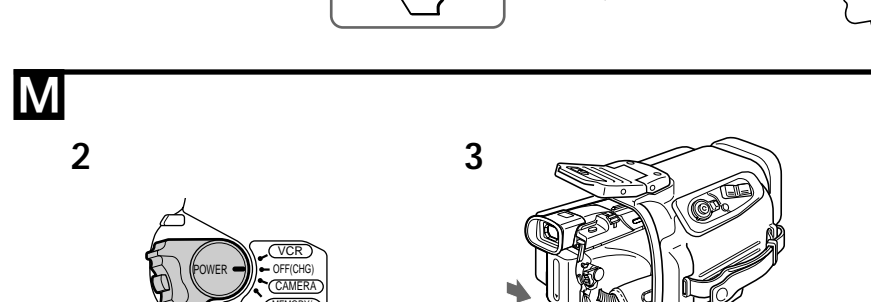
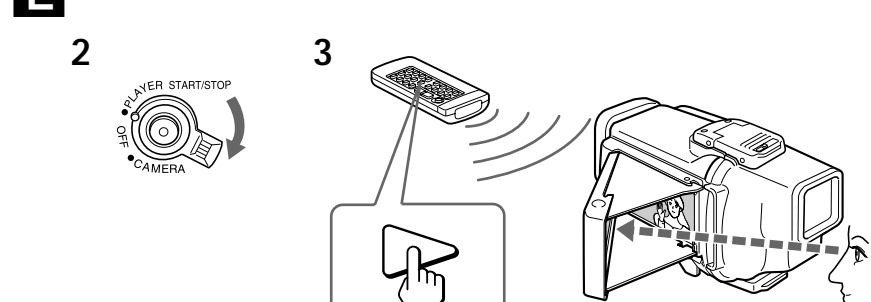
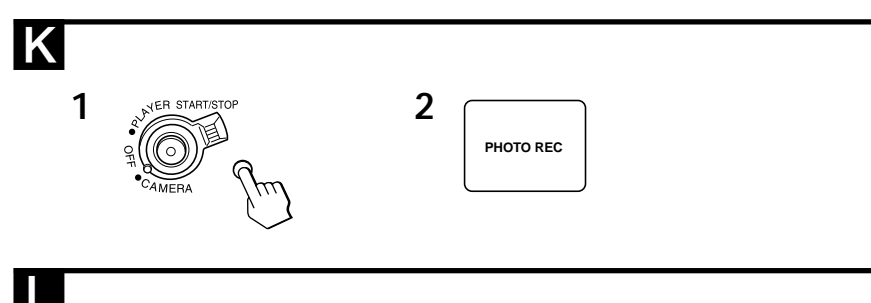
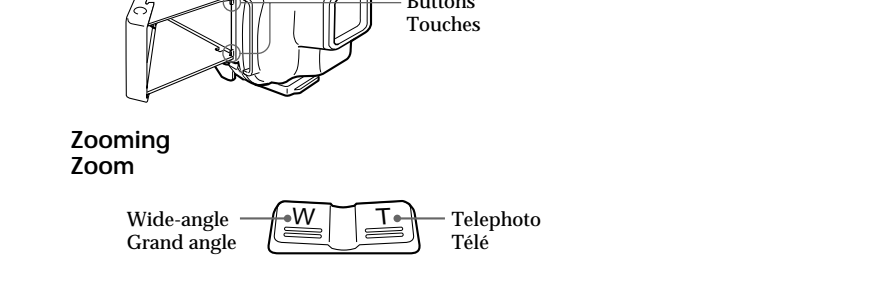
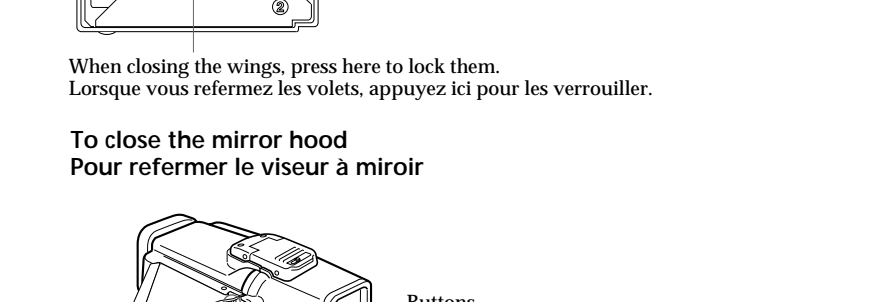
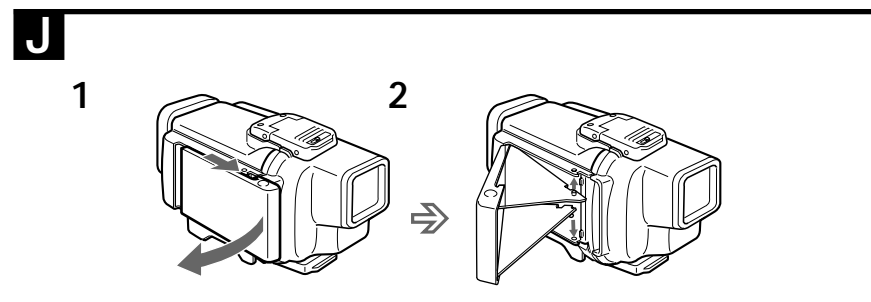
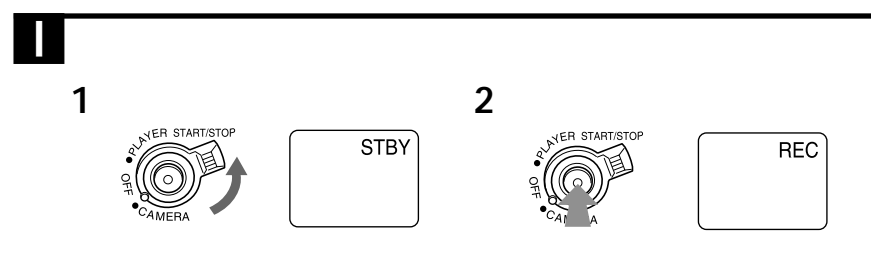
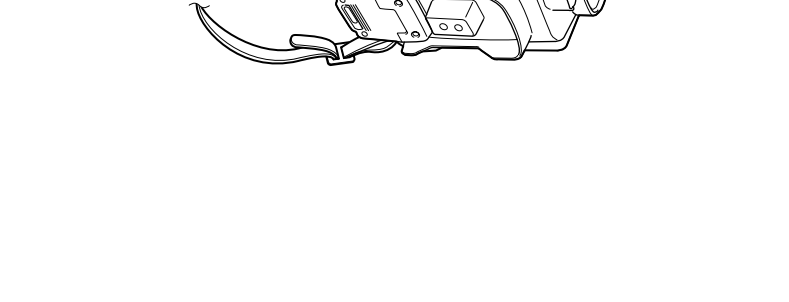
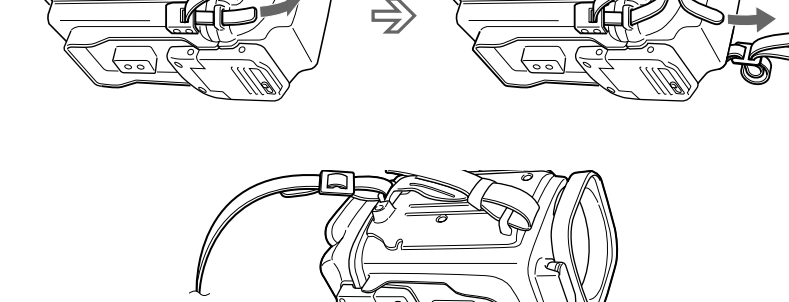
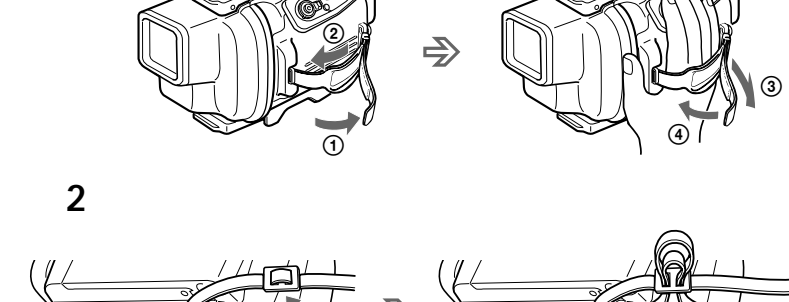
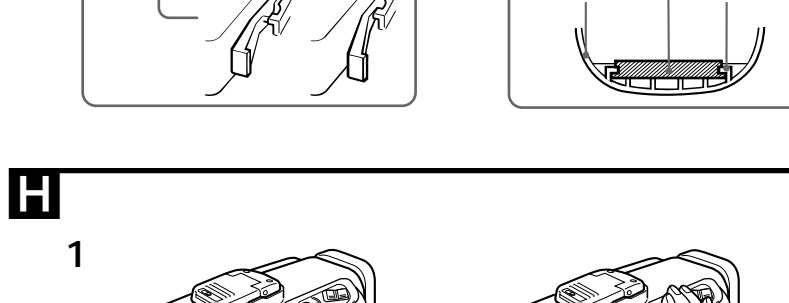
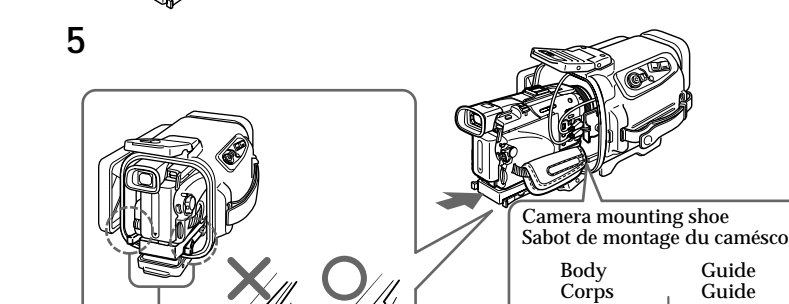
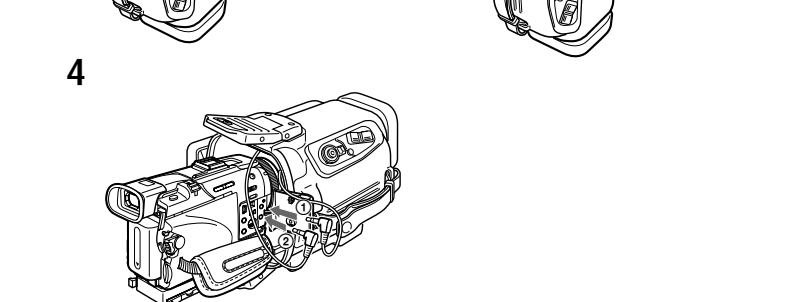
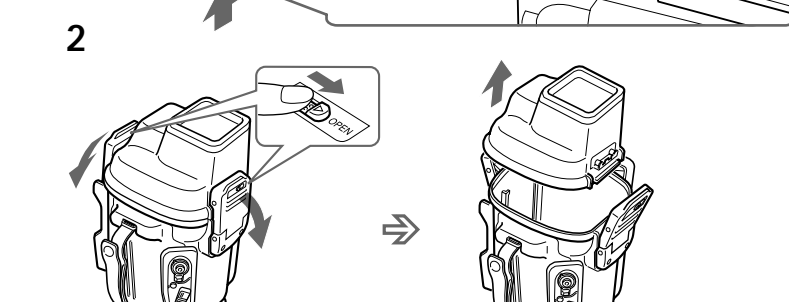
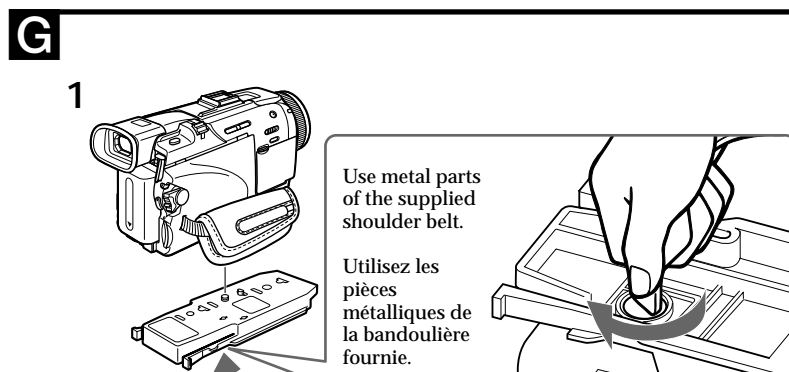
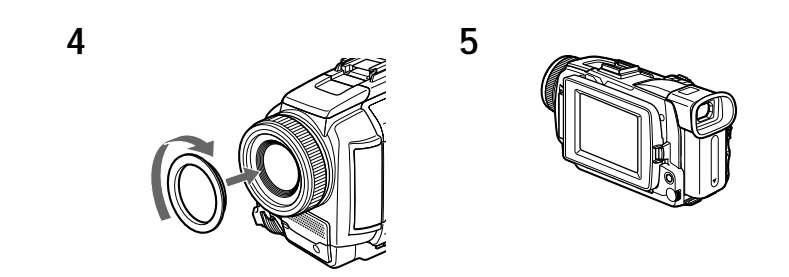
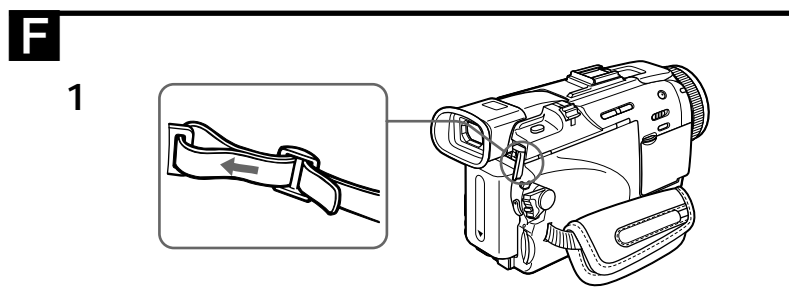
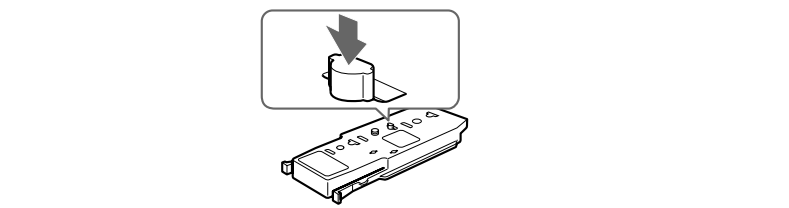
SPK-DVFX

Sony Corporation © 2002 Printed in Japan

http://www.sony.net/
Printed on recycled paper



To disassemble after using
Pour le démontage après utilisation



English

Owner's Record

The model and serial numbers are located inside of the unit. Record the serial number in the space provided below. Refer to them whenever you call upon your Sony dealer regarding this product.

Model No. **SPK-DVFX** Serial No. _____

Usable at a depth as low as 2 meters (6.5 feet) under water.

For using your video camera recorder with this pack, refer to the operating instructions of the recorder.

The splash-proof sports pack SPK-DVFX is water- and moisture-resistant, making it possible to use the Sony Digital Handycam video camera recorder such as DCR-TRV8E, DCR-TRV10E, etc. in the rain or at the beach.

Note
• Before you start recording, make sure that the video camera recorder is working correctly and there is no water leakage.

• Sony does not accept liability for damage to the video camera recorder, battery, etc., when using the sports pack or for the cost of recording if water leakage occurs as a result of incorrect use.

Precautions

- Do not subject the front glass to strong shock, as it may crack.
- Avoid opening the sports pack in the sea or at the beach. Preparation for installing and changing a cassette tape should be done in a place with low humidity and no salty air.
- Do not throw the sports pack into the water.
- Avoid using the sports pack in places with strong waves.
- Avoid using the sports pack under the following situations:
 - In a very hot or humid place.
 - In water hotter than 40°C (104°F).
 - at temperatures lower than 0°C.
- In these situations, condensation or water leakage may occur and damage the equipment.
- Use the sports pack for no longer than one hour at a time in temperatures above 33°C.
- Do not leave the sports pack under direct sunlight for a long period of time. If you cannot avoid leaving the sports pack under direct sunlight, be sure to cover the pack with a towel or other protection.

If sun oil is on the sports pack, be sure to wash it off thoroughly using lukewarm water. If the sports pack is left with sun oil on its body, the surface of the sports pack may become discolored or damaged.

Use metal parts of the supplied shoulder belt.

Utilisez les pièces métalliques de la bandoulière fournie.

Use the remote control plug when the unit is not in use. Remove them and then take out the camera mounting shoe.

Insérez les fiches dans les porte-fiches lorsque vous n'utilisez pas le caisson. Enlevez les fiches et sortez le sabot de montage du caméscope.

Insert the plugs in the plug holder when the unit is not in use. Remove them and then take out the camera mounting shoe.

Insérez les fiches dans les porte-fiches lorsque vous n'utilisez pas le caisson. Enlevez les fiches et sortez le sabot de montage du caméscope.

Insert the plugs in the plug holder when the unit is not in use. Remove them and then take out the camera mounting shoe.

Insérez les fiches dans les porte-fiches lorsque vous n'utilisez pas le caisson. Enlevez les fiches et sortez le sabot de montage du caméscope.

Insert the plugs in the plug holder when the unit is not in use. Remove them and then take out the camera mounting shoe.

Insérez les fiches dans les porte-fiches lorsque vous n'utilisez pas le caisson. Enlevez les fiches et sortez le sabot de montage du caméscope.

Insert the plugs in the plug holder when the unit is not in use. Remove them and then take out the camera mounting shoe.

Insérez les fiches dans les porte-fiches lorsque vous n'utilisez pas le caisson. Enlevez les fiches et sortez le sabot de montage du caméscope.

Insert the plugs in the plug holder when the unit is not in use. Remove them and then take out the camera mounting shoe.

Insérez les fiches dans les porte-fiches lorsque vous n'utilisez pas le caisson. Enlevez les fiches et sortez le sabot de montage du caméscope.

Insert the plugs in the plug holder when the unit is not in use. Remove them and then take out the camera mounting shoe.

Insérez les fiches dans les porte-fiches lorsque vous n'utilisez pas le caisson. Enlevez les fiches et sortez le sabot de montage du caméscope.

Insert the plugs in the plug holder when the unit is not in use. Remove them and then take out the camera mounting shoe.

Insérez les fiches dans les porte-fiches lorsque vous n'utilisez pas le caisson. Enlevez les fiches et sortez le sabot de montage du caméscope.

Insert the plugs in the plug holder when the unit is not in use. Remove them and then take out the camera mounting shoe.

Insérez les fiches dans les porte-fiches lorsque vous n'utilisez pas le caisson. Enlevez les fiches et sortez le sabot de montage du caméscope.

Insert the plugs in the plug holder when the unit is not in use. Remove them and then take out the camera mounting shoe.

Insérez les fiches dans les porte-fiches lorsque vous n'utilisez pas le caisson. Enlevez les fiches et sortez le sabot de montage du caméscope.

Insert the plugs in the plug holder when the unit is not in use. Remove them and then take out the camera mounting shoe.

Insérez les fiches dans les porte-fiches lorsque vous n'utilisez pas le caisson. Enlevez les fiches et sortez le sabot de montage du caméscope.

Insert the plugs in the plug holder when the unit is not in use. Remove them and then take out the camera mounting shoe.

Insérez les fiches dans les porte-fiches lorsque vous n'utilisez pas le caisson. Enlevez les fiches et sortez le sabot de montage du caméscope.

Insert the plugs in the plug holder when the unit is not in use. Remove them and then take out the camera mounting shoe.

Insérez les fiches dans les porte-fiches lorsque vous n'utilisez pas le caisson. Enlevez les fiches et sortez le sabot de montage du caméscope.

Insert the plugs in the plug holder when the unit is not in use. Remove them and then take out the camera mounting shoe.

Insérez les fiches dans les porte-fiches lorsque vous n'utilisez pas le caisson. Enlevez les fiches et sortez le sabot de montage du caméscope.

Insert the plugs in the plug holder when the unit is not in use. Remove them and then take out the camera mounting shoe.

Insérez les fiches dans les porte-fiches lorsque vous n'utilisez pas le caisson. Enlevez les fiches et sortez le sabot de montage du caméscope.

Insert the plugs in the plug holder when the unit is not in use. Remove them and then take out the camera mounting shoe.

Insérez les fiches dans les porte-fiches lorsque vous n'utilisez pas le caisson. Enlevez les fiches et sortez le sabot de montage du caméscope.

Insert the plugs in the plug holder when the unit is not in use. Remove them and then take out the camera mounting shoe.

Insérez les fiches dans les porte-fiches lorsque vous n'utilisez pas le caisson. Enlevez les fiches et sortez le sabot de montage du caméscope.

Insert the plugs in the plug holder when the unit is not in use. Remove them and then take out the camera mounting shoe.

Insérez les fiches dans les porte-fiches lorsque vous n'utilisez pas le caisson. Enlevez les fiches et sortez le sabot de montage du caméscope.

French

Après l'enregistrement

Après l'enregistrement à un endroit sujet à sea breezes, wash the sports pack with fresh water with the buckles fastened thoroughly, then wipe with a soft dry cloth. It is recommended that you submerge the sports pack in fresh water for about 30 minutes. If it is left with salt on it, metal portions may be damaged or rust may form and cause water leakage. If you get sputan lotion or other greasy substances on your sports pack, wash it off with tepid water.

Clean the inside of the pack with a soft dry cloth. Do not wash the inside of the pack. Do not use any type of solvent such as alcohol, benzine or thinner for cleaning, as this might damage the finish.

Anti-fogging lens solution
Coat the surface of the glass with the supplied anti-fogging lens solution. This is effective in preventing from fogging.

How to use the anti-fogging lens solution
Apply 1 or 2 drops of the liquid to the front glass and the glass of the eye cup and wipe evenly to spread the liquid or try using the swabs, a soft cloth or tissue paper.

When storing the sports pack
• Close the pack without fastening the buckles to prevent wear of the waterproof gasket.

• Avoid storing the sports pack in a cold, very dry place. The humidity regulator, made of naphthalene or camphor, at these conditions might damage the unit.

When storing the sports pack
• Close the pack without fastening the buckles to prevent wear of the waterproof gasket.

• Avoid storing the sports pack in a cold, very dry place. The humidity regulator, made of naphthalene or camphor, at these conditions might damage the unit.

When storing the sports pack
• Close the pack without fastening the buckles to prevent wear of the waterproof gasket.

• Avoid storing the sports pack in a cold, very dry place. The humidity regulator, made of naphthalene or camphor, at these conditions might damage the unit.

When storing the sports pack
• Close the pack without fastening the buckles to prevent wear of the waterproof gasket.

• Avoid storing the sports pack in a cold, very dry place. The humidity regulator, made of naphthalene or camphor, at these conditions might damage the unit.

When storing the sports pack
• Close the pack without fastening the buckles to prevent wear of the waterproof gasket.

• Avoid storing the sports pack in a cold, very dry place. The humidity regulator, made of naphthalene or camphor, at these conditions might damage the unit.

When storing the sports pack
• Close the pack without fastening the buckles to prevent wear of the waterproof gasket.

• Avoid storing the sports pack in a cold, very dry place. The humidity regulator, made of naphthalene or camphor, at these conditions might damage the unit.

When storing the sports pack
• Close the pack without fastening the buckles to prevent wear of the waterproof gasket.

• Avoid storing the sports pack in a cold, very dry place. The humidity regulator, made of naphthalene or camphor, at these conditions might damage the unit.

When storing the sports pack
• Close the pack without fastening the buckles to prevent wear of the waterproof gasket.

• Avoid storing the sports pack in a cold, very dry place. The humidity regulator, made of naphthalene or camphor, at these conditions might damage the unit.

When storing the sports pack
• Close the pack without fastening the buckles to prevent wear of the waterproof gasket.

• Avoid storing the sports pack in a cold, very dry place. The humidity regulator, made of naphthalene or camphor, at these conditions might damage the unit.

When storing the sports pack
• Close the pack without fastening the buckles to prevent wear of the waterproof gasket.

• Avoid storing the sports pack in a cold, very dry place. The humidity regulator, made of naphthalene or camphor, at these conditions might damage the unit.

When storing the sports pack
• Close the pack without fastening the buckles to prevent wear of the waterproof gasket.

• Avoid storing the sports pack in a cold, very dry place. The humidity regulator, made of naphthalene or camphor, at these conditions might damage the unit.

When storing the sports pack
• Close the pack without fastening the buckles to prevent wear of the waterproof gasket.

• Avoid storing the sports pack in a cold, very dry place. The humidity regulator, made of naphthalene or camphor, at these conditions might damage the unit.

When storing the sports pack
• Close the pack without fastening the buckles to prevent wear of the waterproof gasket.

• Avoid storing the sports pack in a cold, very dry place. The humidity regulator, made of naphthalene or camphor, at these conditions might damage the unit.

When storing the sports pack
• Close the pack without fastening the buckles to prevent wear of the waterproof gasket.

• Avoid storing the sports pack in a cold, very dry place. The humidity regulator, made of naphthalene or camphor, at these conditions might damage the unit.

When storing the sports pack
• Close the pack without fastening the buckles to prevent wear of the waterproof gasket.

• Avoid storing the sports pack in a cold, very dry place. The humidity regulator, made of naphthalene or camphor, at these conditions might damage the unit.

When storing the sports pack
• Close the pack without fastening the buckles to prevent wear of the waterproof gasket.

• Avoid storing the sports pack in a cold, very dry place. The humidity regulator, made of naphthalene or camphor, at these conditions might damage the unit.

When storing the sports pack
• Close the pack without fastening the buckles to prevent wear of the waterproof gasket.

• Avoid storing the sports pack in a cold, very dry place. The humidity regulator, made of naphthalene or camphor, at these conditions might damage the unit.

When storing the sports pack
• Close the pack without fastening the buckles to prevent wear of the waterproof gasket.

• Avoid storing the sports pack in a cold, very dry place. The humidity regulator, made of naphthalene or camphor, at these conditions might damage the unit.

When storing the sports pack
• Close the pack without fastening the buckles to prevent wear of the waterproof gasket.

• Avoid storing the sports pack in a cold, very dry place. The humidity regulator, made of naphthalene or camphor, at these conditions might damage the unit.

When storing the sports pack
• Close the pack without fastening the buckles to prevent wear of the waterproof gasket.

• Avoid storing the sports pack in a cold, very dry place. The humidity regulator, made of naphthalene or camphor, at these conditions might damage the unit.

When storing the sports pack
• Close the pack without fastening the buckles to prevent wear of the waterproof gasket.

• Avoid storing the sports pack in a cold, very dry place. The humidity regulator, made of naphthalene or camphor, at these conditions might damage the unit.

When storing the sports pack
• Close the pack without fastening the buckles to prevent wear of the waterproof gasket.

• Avoid storing the sports pack in a cold, very dry place. The humidity regulator, made of naphthalene or camphor, at these conditions might damage the unit.

When storing the sports pack
• Close the pack without fastening the buckles to prevent wear of the waterproof gasket.

• Avoid storing the sports pack in a cold, very dry place. The humidity regulator, made of naphthalene or camphor, at these conditions might damage the unit.

When storing the sports pack
• Close the pack without fastening the buckles to prevent wear of the waterproof gasket.

• Avoid storing the sports pack in a cold, very dry place. The humidity regulator, made of naphthalene or camphor, at these conditions might damage the unit.

When storing the sports pack
• Close the pack without fastening the buckles to prevent wear of the waterproof gasket.

Installing the Video Camera Recorder

1 Attach the camera mounting shoe.

Use the metal parts of the supplied shoulder strap as shown in the illustration.

2 Release the buckles.

3 Remove sand or dust.

4 Connect the remote control plug to LANC jack (L), and the microphone plug to MIC (plug in power) jack (M).

5 Turn the POWER switch to CAMERA.

6 Set the PHOTO switch to CAMERA.

7 Close the rear body.

8 Turn the POWER switch to CAMERA.

9 Press the PLAY button to start recording.

10 Turn the POWER switch to CAMERA.

11 Turn the POWER switch to CAMERA.

12 Turn the POWER switch to CAMERA.

13 Turn the POWER switch to CAMERA.

14 Turn the POWER switch to CAMERA.

15 Turn the POWER switch to CAMERA.

16 Turn the POWER switch to CAMERA.

17 Turn the POWER switch to CAMERA.

18 Turn the POWER switch to CAMERA.

19 Turn the POWER switch to CAMERA.

20 Turn the POWER switch to CAMERA.

21 Turn the POWER switch to CAMERA.

22 Turn the POWER switch to CAMERA.

23 Turn the POWER switch to CAMERA.

24 Turn the POWER switch to CAMERA.

25 Turn the POWER switch to CAMERA.

26 Turn the POWER switch to CAMERA.

27 Turn the POWER switch to CAMERA.

28 Turn the POWER switch to CAMERA.

29 Turn the POWER switch to CAMERA.

30 Turn the POWER switch to CAMERA.

31 Turn the POWER switch to CAMERA.

32 Turn the POWER switch to CAMERA.

33 Turn the POWER switch to CAMERA.

34 Turn the POWER switch to CAMERA.

35 Turn the POWER switch to CAMERA.

36 Turn the POWER switch to CAMERA.

37 Turn the POWER switch to CAMERA.

38 Turn the POWER switch to CAMERA.

39 Turn the POWER switch to CAMERA.

40 Turn the POWER switch to CAMERA.

41 Turn the POWER switch to CAMERA.

42 Turn the POWER switch to CAMERA.

43 Turn the POWER switch to CAMERA.

44 Turn the POWER switch to CAMERA.

45 Turn the POWER switch to CAMERA.

46 Turn the POWER switch to CAMERA.

47 Turn the POWER switch to CAMERA.

48 Turn the POWER switch to CAMERA.

49 Turn the POWER switch to CAMERA.

50 Turn the POWER switch to CAMERA.

51 Turn the POWER switch to CAMERA.

52 Turn the POWER switch to CAMERA.

53 Turn the POWER switch to CAMERA.

54 Turn the POWER switch to CAMERA.

55 Turn the POWER switch to CAMERA.

56 Turn the POWER switch to CAMERA.

When Shooting with the LCD Screen

1 Slide the mirror hood while holding the PULL mark and open it.

2 Open the wings and insert the projections into each hole.

3 Turn the POWER switch to CAMERA.

4 Turn the POWER switch to CAMERA.

5 Turn the POWER switch to CAMERA.

6 Turn the POWER switch to CAMERA.

Free Manuals Download Website

<http://myh66.com>

<http://usermanuals.us>

<http://www.somanuals.com>

<http://www.4manuals.cc>

<http://www.manual-lib.com>

<http://www.404manual.com>

<http://www.luxmanual.com>

<http://aubethermostatmanual.com>

Golf course search by state

<http://golfingnear.com>

Email search by domain

<http://emailbydomain.com>

Auto manuals search

<http://auto.somanuals.com>

TV manuals search

<http://tv.somanuals.com>