

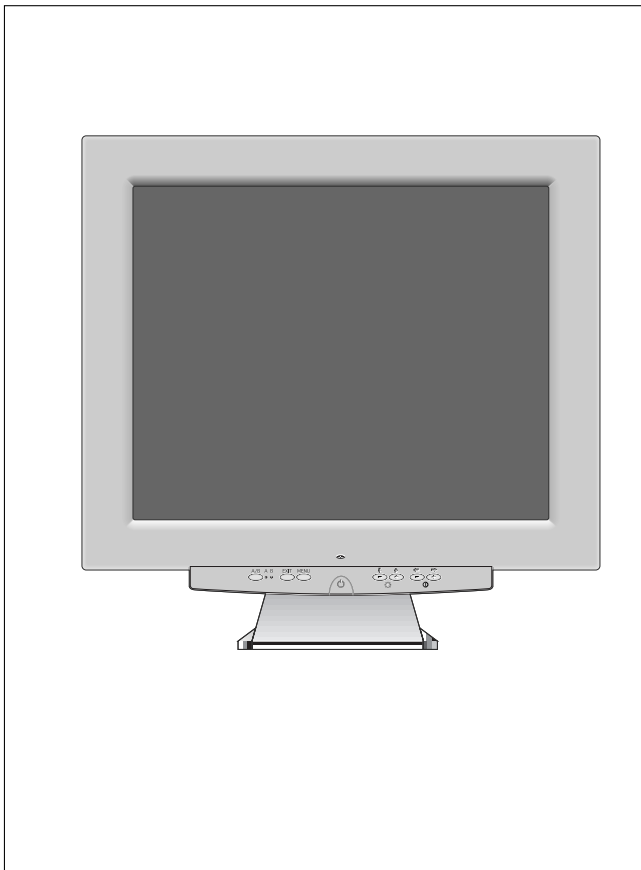


# COLOR MONITOR

SyncMaster 800TFT  
(Toshiba Panel)

# SERVICE *Manual*

## COLOR MONITOR



## CONTENTS

1. Precautions
2. Product Specifications
3. Disassembly & Reassembly
4. Alignments & Adjustments
5. Troubleshooting
6. Exploded View & Parts List
7. Electrical Parts List
8. Block Diagram
9. Wiring Diagram
10. Schematic Diagrams

# 1 Precautions

Follow these safety, servicing and ESD precautions to prevent damage and to protect against potential hazards such as electrical shock.

## 1-1 Safety Precautions

### 1-1-1 Warnings

1. For continued safety, do not attempt to modify the circuit board.
2. Disconnect the AC power and DC power jack before servicing.

### 1-1-2 Servicing the LCD Monitor

1. When servicing the LCD Monitor, Disconnect the AC line cord from the AC outlet.
2. It is essential that service technicians have an accurate voltage meter available at all times. Check the calibration of this meter periodically.

### 1-1-3 Fire and Shock Hazard

Before returning the monitor to the user, perform the following safety checks:

1. Inspect each lead dress to make certain that the leads are not pinched or that hardware is not lodged between the chassis and other metal parts in the monitor.
2. Inspect all protective devices such as nonmetallic control knobs; insulating materials; cabinet backs; adjustment and compartment covers or shields; isolation resistor-capacitor networks; mechanical insulators, etc.
3. Leakage Current Hot Check (Figure 1-1): **WARNING: Do not use an isolation transformer during this test.** Use a leakage current tester or a metering system that complies with American National Standards Institute (*ANSI C101.1, Leakage Current for Appliances*), and Underwriters Laboratories (*UL Publication UL1410, 59.7*).

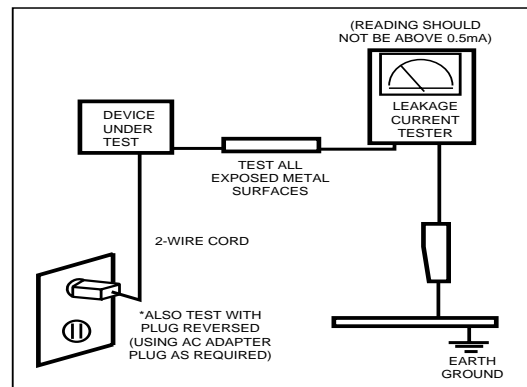


Figure 1-1. Leakage Current Test Circuit

4. With the unit completely reassembled, plug the AC line cord directly into a 120V AC outlet. With the unit's AC switch first in the ON position and then OFF, measure the current between a known earth ground (metal water pipe, conduit, etc.) and all exposed metal parts, including: metal cabinets, screwheads and control shafts. The current measured should not exceed 0.5 milliamp. Reverse the power-plug prongs in the AC outlet and repeat the test.

### 1-1-4 Product Safety Notices

Some electrical and mechanical parts have special safety-related characteristics which are often not evident from visual inspection. The protection they give may not be obtained by replacing them with components rated for higher voltage, wattage, etc. Parts that have special safety characteristics are identified by  $\triangle$  on schematics and parts lists. A substitute replacement that does not have the same safety characteristics as the recommended replacement part may create shock, fire and / or other hazards. Product safety is under review continuously and new instructions are issued whenever appropriate.

## 1-2 Servicing Precautions

---

**WARNING:** An electrolytic capacitor installed with the wrong polarity may explode.

**Caution:** Before servicing units covered by this service manual, read and follow the Safety Precautions section of this manual.

**Note:** If unforeseen circumstances create conflict between the following servicing precautions and any of the safety precautions, always follow the safety precautions.

### 1-2-1 General Servicing Precautions

1. Always unplug the unit's AC power cord from the AC power source and disconnect the DC power jack before attempting to:
  - (a) remove or reinstall any component or assembly.
  - (b) disconnect PCB plugs or connectors.
  - (c) connect a test component in parallel with an electrolytic capacitor.
2. Some components are raised above the printed circuit board for safety. An insulation tube or tape is sometimes used. The internal wiring is sometimes clamped to prevent contact with thermally hot components. Reinstall all such elements to their original position.
3. After servicing, always check that the screws, components and wiring have been correctly reinstalled. Make sure that the area around the serviced part has not been damaged.
4. Check the insulation between the blades of the AC plug and accessible conductive parts (examples: metal panels, input terminals and earphone jacks).
5. Insulation Checking Procedure: Disconnect the power cord from the AC source and turn the power switch ON. Connect an insulation resistance meter (500 V) to the blades of the AC plug.

The insulation resistance between each blade of the AC plug and accessible conductive parts (see above) should be greater than 1 megohm.
6. Always connect a test instrument's ground lead to the instrument chassis ground *before* connecting the positive lead; always remove the instrument's ground lead last.

## 1-3 Electrostatically Sensitive Devices (ESD) Precautions

---

Some semiconductor (solid state) devices can be easily damaged by static electricity. Such components are commonly called Electrostatically Sensitive Devices (ESD). Examples of typical ESD components are integrated circuits and some field-effect transistors. The following techniques will reduce the incidence of component damage caused by static electricity.

1. Immediately before handling any semiconductor components or assemblies, drain the electrostatic charge from your body by touching a known earth ground. Alternatively, wear a discharging wrist-strap device. To avoid a shock hazard, be sure to remove the wrist strap before applying power to the monitor.
2. After removing an ESD-equipped assembly, place it on a conductive surface such as aluminum foil to prevent accumulation of an electrostatic charge.
3. Do not use freon-propelled chemicals. These can generate electrical charges sufficient to damage ESDs.
4. Use only a grounded-tip soldering iron to solder or desolder ESDs.
5. Use only an anti-static solder removal device. Some solder removal devices not classified as "anti-static" can generate electrical charges sufficient to damage ESDs.
6. Do not remove a replacement ESD from its protective package until you are ready to install it. Most replacement ESDs are packaged with leads that are electrically shorted together by conductive foam, aluminum foil or other conductive materials.
7. Immediately before removing the protective material from the leads of a replacement ESD, touch the protective material to the chassis or circuit assembly into which the device will be installed.

**Caution:** Be sure no power is applied to the chassis or circuit and observe all other safety precautions.
8. Minimize body motions when handling unpackaged replacement ESDs. Motions such as brushing clothes together, or lifting your foot from a carpeted floor can generate enough static electricity to damage an ESD.

## 2 Product Specifications

### 2-1 Specifications

Item	Description
LCD Panel	TFT-LCD panel, RGB vertical stripe, normally white transmissive, 18-Inch viewable, 0.28 mm pixel pitch
Scanning Frequency	Horizontal : 30 kHz to 81 kHz (Automatic) Vertical : 56 Hz to 85 Hz (-XGA), 76 Hz (SXGA)
Display Colors	16.7 Million colors
Maximum Resolution	Horizontal : 1280 Pixels @ 81 kHz Vertical : 1024 Pixels @ 76 Hz
Input Video Signal	Analog, 0.714 Vp-p $\pm$ 5% positive at 75 $\Omega$ , internally terminated
Input Sync Signal	Type: Separate H/V sync, Composite H/V, Sync-on-Green Level: TTL level (V high $\geq$ 2.0 V, V low $\leq$ 0.8 V), Sync-on-Green ( $\leq$ -0.25 V)
Maximum Pixel Clock rate	135 MHz
Active Display Horizontal/Vertical	359 $\pm$ 3 mm / 287.2 $\pm$ 3 mm
AC power voltage & Frequency	AC 90 to 264 Volts, 60/50 Hz $\pm$ 3 Hz
Power Consumption	54 W (max.), 48W (nominal)
Dimensions Unit (W x D x H) Carton (W x D x H)	17.7 x 18.2 x 7.2 Inches (449.4 x 461.2 x 182 mm) 22.4 x 11.6 x 22.8 Inches (570 x 295 x 580 mm)
Weight (Net/Gross)	8.3 kg (18.28 lbs) / 11.8 kg ( 20.0 lbs)
Environmental Considerations	Operating Temperature : 50°F to 104°F (10°C to 35°C) Humidity : 10 % to 80 % Storage Temperature : -68°F to 113°F (-20°C to 45°C) Humidity : 5 % to 95 %
<ul style="list-style-type: none"> <li>• SyncMaster 800TFT complies with SWEDAC (MPR II) recommendations for reduced electromagnetic fields.</li> <li>• Designs and specifications are subject to change without prior notice.</li> </ul>	

## 2-2 Pin Assignments

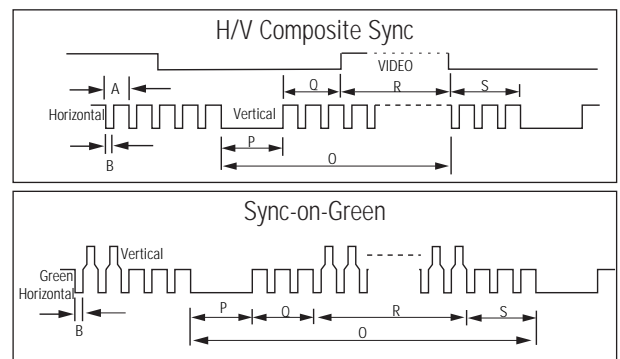
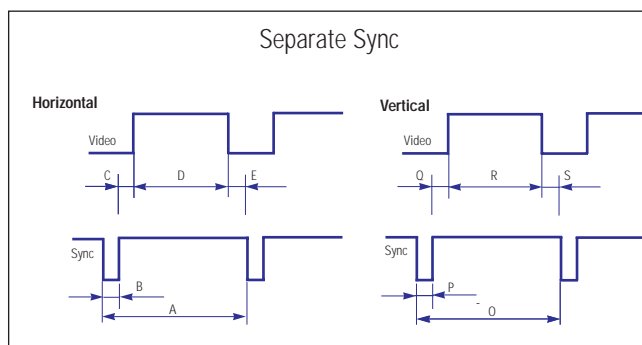
Pin No.	Sync Type	15-Pin D-Sub & 13W3 Signal Cable Connector			
		13W3	Separate	Composite	Sync-on-green
1		A1	Red	Red	Red
2		A2	Green	Green	Green + H/V Sync
3		A3	Blue	Blue	Blue
4		4	GND	GND	GND
5		4	DDC Return (GND)	DDC Return (GND)	DDC Return (GND)
6		A1-GND	GND-R	GND-R	GND-R
7		A2-GND	GND-G	GND-G	GND-G
8		A3-GND	GND-B	GND-B	GND-B
9		3, 8	No Connection	No Connection	No Connection
10		10	Self Raster	Self Raster	Self Raster
11		4	GND	GND	GND
12		6	Bi-Dr Data (SDA)	Bi-Dr Data (SDA)	Bi-Dr Data (SDA)
13		5	H-Sync	H/V-Sync	Not Used
14		7	V-Sync	Not Used	Not Used
15		1, 2	DDC Clock (SCL)	DDC Clock (SCL)	DDC Clock (SCL)

## 2-3 Timing Chart

This section of the service manual describes the timing that the computer industry recognizes as standard for computer-generated video signals.

Table 2-1. Timing Chart

Mode Timing	IBM		VESA								
	VGA2/70 Hz 720 x 400	VGA3/60 Hz 640 x 480	640/75 Hz 640 x 480	640/85 Hz 640 x 480	800/75 Hz 800 x 600	800/85 Hz 800 x 600	1024/60Hz 1024 x 768	1024/75Hz 1024 x 768	1024/85Hz 1024x768	1280/76Hz 1280x1024	1280/75Hz 1280x1024
fH (kHz)	31.469	31.469	37.500	43.269	46.875	53.674	48.363	60.023	68.677	81.129	79.976
A μsec	31.777	31.778	26.667	23.111	21.333	18.631	20.677	16.660	14.561	16.640	12.504
B μsec	3.813	3.813	2.032	1.556	1.616	1.138	2.092	1.219	1.016	6.400	1.067
C μsec	1.589	1.589	3.810	2.222	3.232	2.702	2.462	2.235	2.201	2.880	1.837
D μsec	26.058	26.058	20.317	17.778	16.162	14.222	15.754	13.003	10.836		9.481
E μsec	0.318	0.318	0.508	1.556	0.323	0.569	0.369	0.203	0.508	3.200	0.119
fV (Hz)	70.087	59.940	75.000	85.008	75.000	85.061	60.004	75.029	84.997	76.106	75.025
O msec	14.268	16.683	13.333	11.764	13.333	11.756	16.666	13.328	11.765	10.660	13.329
P msec	0.064	0.064	0.080	0.671	0.064	0.056	0.124	0.050	0.044	0.080	0.038
Q msec	0.858	0.794	0.427	0.578	0.448	0.503	0.600	0.466	0.524	3.200	0.475
R msec	13.155	15.761	12.800	11.093	12.800	11.179	15.880	12.795	11.183		12.804
S msec	0.191	0.064	0.027	0.023	0.021	0.019	0.062	0.017	0.015	0.020	0.013
Clock Freq. (MHz)	28.322	25.175	31.500	49.500	49.500	56.250	75.000	78.750	94.500	135.000	135.000
Polarity H.Sync	Negative	Negative	Negative	Negative	Positive	Positive	Negative	Positive	Positive	Negative	Positive
V.Sync	Positive	Negative	Negative	Negative	Positive	Positive	Negative	Positive	Positive	Negative	Positive
Remark	Separate	Separate	Separate	Separate	Separate	Separate	Separate	Separate	Separate	Com.	Separate



A : Line time total	B : Horizontal sync width	O : Frame time total	P : Vertical sync width
C : Back porch	D : Active time	Q : Back porch	R : Active time
E : Front porch		S : Front porch	

## Memo

---

## 3 Disassembly and Reassembly

---

This section of the service manual describes the disassembly and reassembly procedures for the SyncMaster 800TFT TFT-LCD monitor.

**WARNING:** This monitor contains electrostatically sensitive devices. Use caution when handling these components.

### 3-1 Disassembly

---

**Cautions:** 1. Disconnect the monitor from the power source before disassembly.  
2. Follow these directions carefully; never use metal instruments to pry apart the cabinet.

#### 3-1-1 Removing the Stand

1. Remove 4 screws on the Stand.

#### 3-1-2 Main Body Disassembly

1. Remove 4 screws on the Rear Cover.
2. Pull the Rear Cover up and off the monitor.
3. Remove 4 screws on the BRKT-VESA and Remove the BRKT-VESA.
4. Remove 16 screws on the PCB Shield and remove the Shield.
5. Remove 7 screws on the Main PCB and 2 screws on the Inverter PCB and 2 screws on the 10P Harness.
6. Disconnect the connector (140P) between the Panel and the CN600 connector on the Main PCB.
7. Disconnect the Function PCB wire (10P) between the Function PCB and the CN102 connector on the Main PCB.
8. Disconnect 2 Inverter wires between the Panel and the CN2, CN3 connectors on the Inverter PCB.
9. Disconnect the 12P harness between CN1 connectors on the Inverter PCB and CN103 connector on the Main PCB.
10. Carefully lift the Main PCB Assembly and Inverter PCB and place them on a flat, level surface that is protected from static electricity.
11. Remove 10 screws on the PCB Bracket.
12. Remove the Bracket Assembly from the Front Cover.
13. Remove the 2 screws on the Function PCB from the Front Cover and remove the Function PCB and Function Knob.

### 3-2 Reassembly

---

Reassembly procedures are in the reverse order of Disassembly procedures.



## **Memo**

---

## 4 Alignments and Adjustments

---

This section of the service manual explains how to use the DDC JIG to adjust the black, red, green, and blue levels of the FPD when you replace the AD Board, and how to update the microprocessor when you change the Panel or Lamp(s).

### 4-1 Required Equipment

The following equipment is necessary for adjusting the monitor:

- Oscilloscope with probe tool
- Computer with Windows 95<sup>®</sup>, Windows 98<sup>®</sup>, or Windows NT<sup>®</sup>.
- DV18AS.exe software
- DDC Control JIG

### 4-2 Using the DDC Control JIG

After replacing the LCD Panel, Lamp(s), and / or AD Board, use the DDC Control JIG to complete your service. Attach the DDC Control JIG to the flat panel display (FPD) as shown in the diagrams, below.

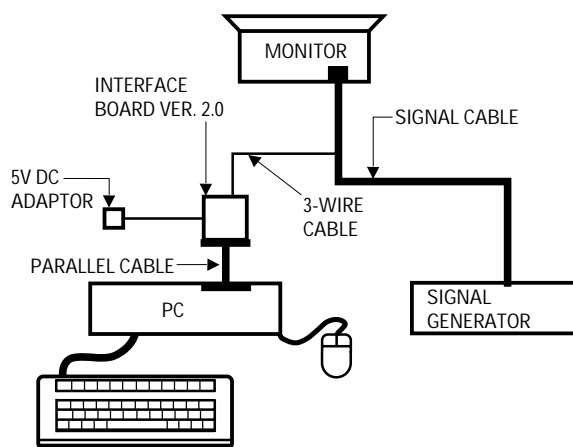


Figure 4-1. Setup 1, With Signal Generator

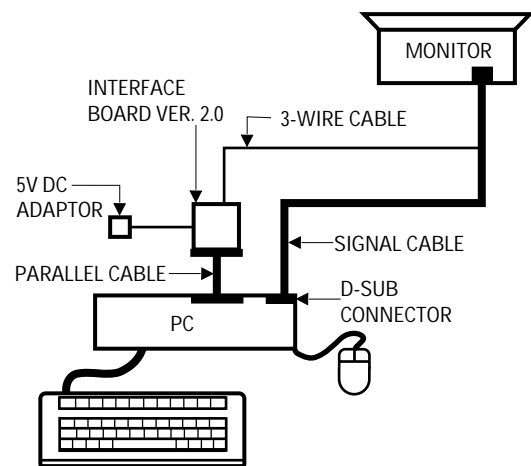


Figure 4-2. Setup 2, Without Signal Generator

### 4-2-1 Main Menu

4-2-1 (a) Service JIG : DV18

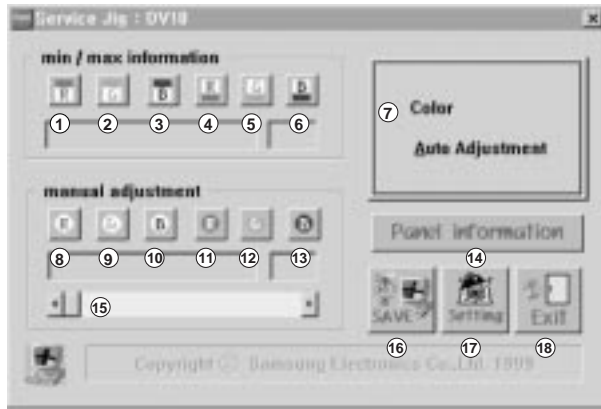


Figure 4-3. Service JIG Menu

No	Label	Definition
①	Red max value	Shows the red video signal max value
②	Green max value	Shows the green video signal max value
③	Blue max value	Shows the blue video signal max value
④	Red min value	Shows the red video signal min value
⑤	Green min value	Shows the green video signal min value
⑥	Blue min value	Shows the blue video signal min value
⑦	Color Auto Adjustment	Automatical screen contrast setting
⑧	Red gain control	Adjusts the red video signal gain control
⑨	Green gain control	Adjusts the green video signal gain control
⑩	Blue gain control	Adjusts the blue video signal gain control
⑪	Red cutoff control	Adjusts the red video signal cutoff control
⑫	Green cutoff control	Adjusts the green video signal cutoff control
⑬	Blue cutoff control	Adjusts the blue video signal cutoff control
⑭	Panel information	Shows the sub menu to panel information (4-2-2 (a))
⑮	Scroll bar	Changes the value or level of the selected item. The window to the right shows the value as it changes.
⑯	SAVE	Saves the current adjustment value of the R,G,B video contrast gain and cutoff level
⑰	Setting	Displays and allows you to adjust the PC and Control JIG communication environment. Use this button to change the Delay parameter and Port Address of your PC system and to test the connection between the Control JIG and your computer
⑱	Exit	Quits the DDC Control JIG

### 4-2-2 Sub Menu

4-2-2 (a) Panel Information

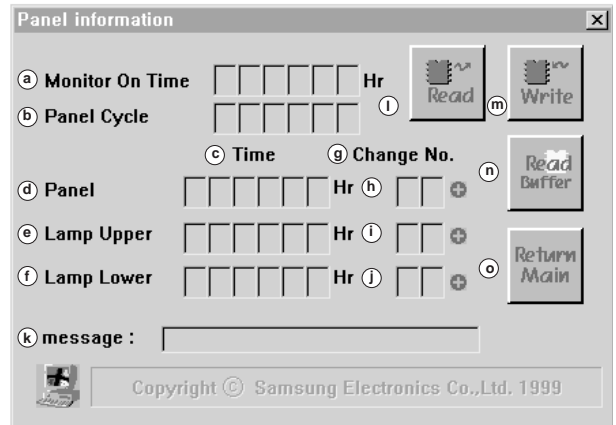


Figure 4-4. Control JIG Menu

No	Label	Definition
Ⓐ	Monitor On Time	Total hours that the monitor has been actively functioning.
Ⓑ	Panel Cycle	The total number of times the Panel has been turned ON.
Ⓒ	Time	Total in Hours that this Panel or Lamp has been ON. Reset this number to 000000 after replacing the part.
Ⓓ	Panel	Total number of hours that this Panel has been ON.
Ⓔ	Lamp, Upper	Total number of hours that this Upper Lamp has been ON.
Ⓕ	Lamp, Lower	Total number of hours that this Lower Lamp has been ON.
Ⓖ	Change No.	The number of times this Panel or Lamp has been replaced. The numbers are 00 if the item is the original factory part installed during manufacture of this monitor.
Ⓗ	Panel	Replacement times. This value is 00 if original equipment.
Ⓘ	Lamp, Upper	Replacement times. This value is 00 if original equipment.
Ⓙ	Lamp, Lower	Replacement times. This value is 00 if original equipment.
Ⓚ	Message	Shows the message.
Ⓛ	Read	Reads all Panel information data from the AD Board
Ⓜ	Write	Writes the Panel Parameter Control values to the AD Board
Ⓝ	Read buffer	Reload the Panel Parameter Control values from the Program buffer
Ⓞ	Return Main	Returns to the Main menu

### 4-2-3 Adjustment Procedures

Use the following procedures whenever you replace the AD Board, Panel, or one or both of the Lamps.

#### 4-2-3 (a) When Replacing the AD Board

1. Before replacing the AD Board, read all Panel information data by using the Read button on the DDC Control JIG.
2. Remove the old AD Board and replace it with a new board.
3. Perform the procedures described in section 4-2-3 (b).
4. Write the Panel information data to the new AD Board by using the Write button.
5. Perform other procedures using the DDC Control JIG, if necessary.
6. When all procedures are complete, select the Exit button (Ⓜ) to quit the DDC Control JIG software.

#### 4-2-3 (b) Color Auto Adjustment

1. After displaying 16-Gray pattern or black and white mixed pattern, click "Color Auto Adjustment" button.
2. During normal execution of Auto Algorithm the screen image may flicker. If Auto Algorithm does not execute properly, check DDC Control JIG.
3. After normal execution of Auto Algorithm, confirm optimal settings by observing the contrast of several different patterns on the display.
4. If you want to check each color value, click the button from ① to ⑥ and from ⑧ to ⑬

#### 4-2-3 (c) When Replacing the Panel

1. Select the Read Buffer button (Ⓜ) to gather the current information about this monitor.
2. Increment the number by clicking on the (+) button on the Panel row in the Change No. column. If they were not already 00, the numbers for the Upper and Lower Lamps will automatically change to 00.
3. Check all values. If there is an error, select Read Buffer again and increment the Change No. column to the correct number. When all values are correct, select the Write button (Ⓜ) to record the data in the firmware.
4. Select the Return Menu button (Ⓜ) to Return Main Menu.

#### 4-2-3 (d) When Replacing the Upper and/or Lower Lamp

1. Select the Read Buffer button (Ⓜ) to gather current information about this monitor.
2. Increment the number by clicking on the (+) button on the Lamp Upper and/or Lamp Lower row in the Change No. column.
3. Check all values. If there is an error, select Read Buffer again and increment the Change No. column to the correct number(s). When all values are correct, select the Write button (Ⓜ) to record the data in the firmware.
4. Select the Return Menu button (Ⓜ) to Return Main Menu.

### 4-3 Using the OSD Service function

---

After replacement of the LCD Panel or Lamp(s), use the 800TFT's OSD Service Function to complete your service.

1. To display the Service Function OSD, push and hold in for 8 seconds the Left and Right arrow buttons on the front panel of the monitor.

Service Function			
Monitor On Time	:	000049Hr	
Panel Cycle	:	000088	
		Time Change	No.
Panel	:	000050Hr	00
Lamp Upper	:	000050Hr	00
Lamp Lower	:	000050Hr	00

Figure 4-5. Service Function Menu Screen

2. If the Panel has been replaced during this servicing, use the Up or Down arrow button on the front panel to highlight the Panel row on the table. Increment the Change No. value by pushing and holding in (for 8 seconds) the Left and Right arrow buttons on the front panel. Incrementing the Panel value automatically changes both the Upper and Lower Lamp Change No. value to 00.

If you have changed the Upper and/or Lower Lamp(s) without changing the Panel, highlight the appropriate row(s) then push and hold in (for 5 seconds) both the Left and Right arrow buttons on the front panel. This action increments the Change No. value(s).

**Note:** Increment the Lamp value(s) only if one or both of them were replaced, but the Lamp was not replaced.

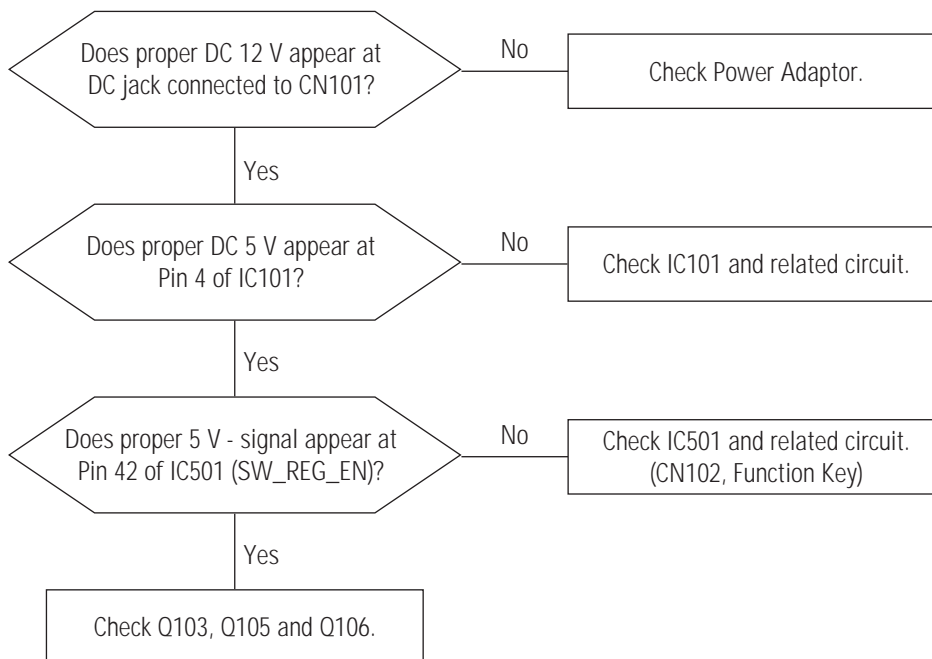
3. After incrementing the appropriate values, power off the monitor.



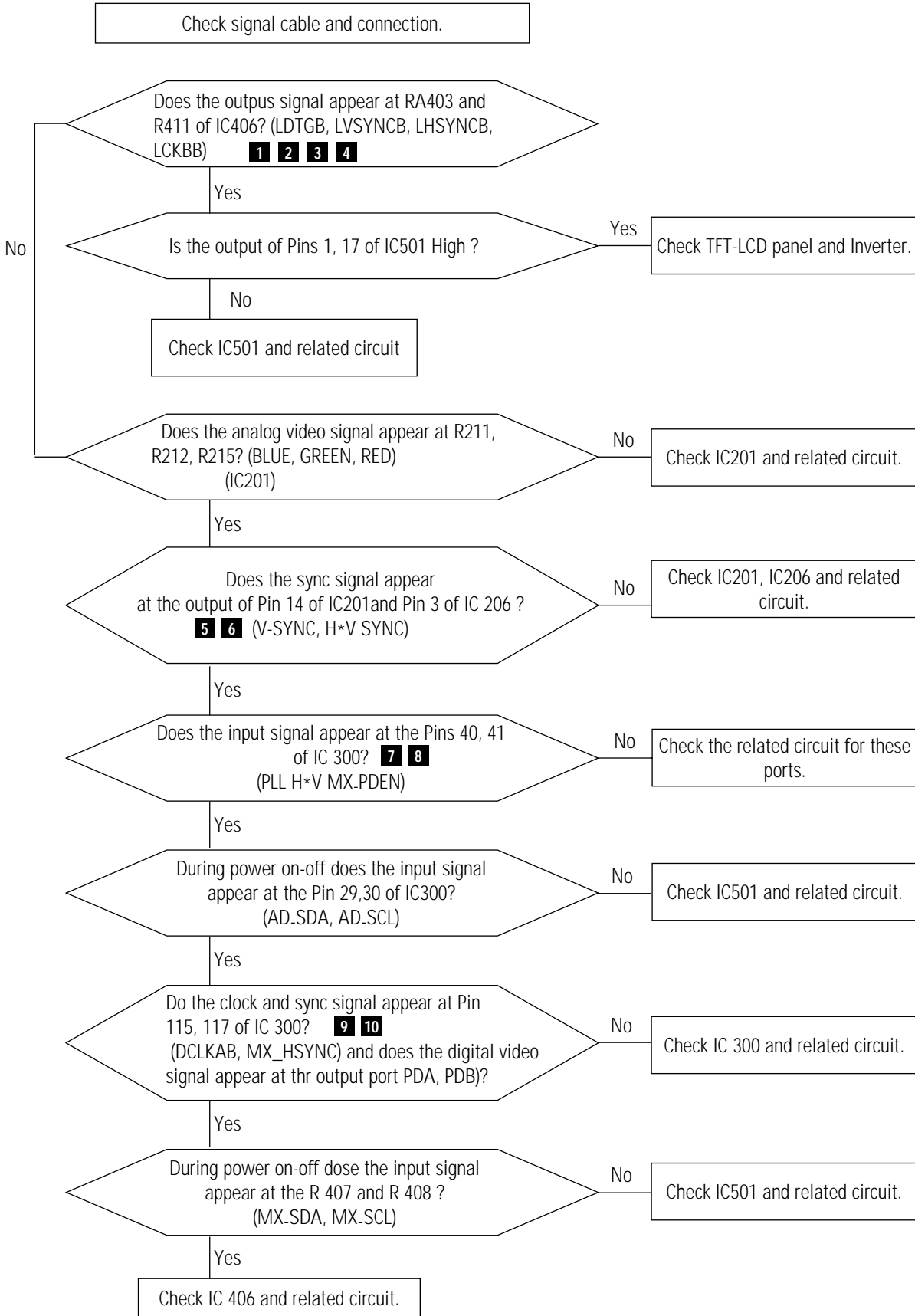
## 5 Troubleshooting

- Notes:**
- Before troubleshooting, set up the PC's display as below.
    - Resolution: 1280 x 1024
    - H-frequency: 64 kHz
    - V-frequency: 60 Hz
  - If no picture appears, confirm the power cord is correctly connected.
  - Check the following circuits.
    - No raster appears: Stand PCB, Main PCB
    - 12V develop but no screen: Main PCB
    - 12V does not develop: Main PCB
  - If you push and hold the EXIT button for more than 5 seconds, the monitor automatically reverts back to the factory preset

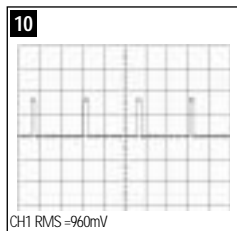
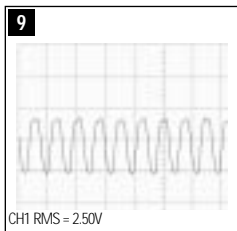
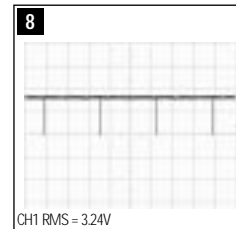
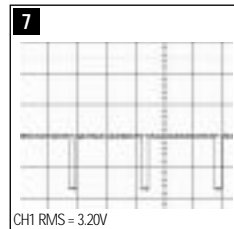
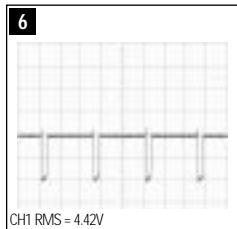
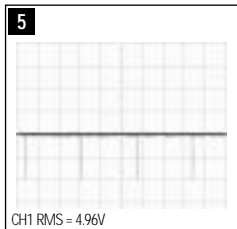
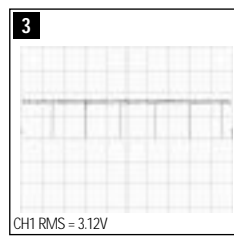
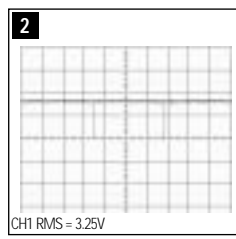
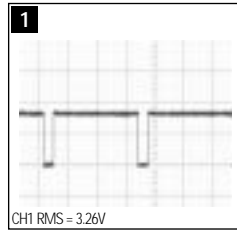
### 5-1 No Power



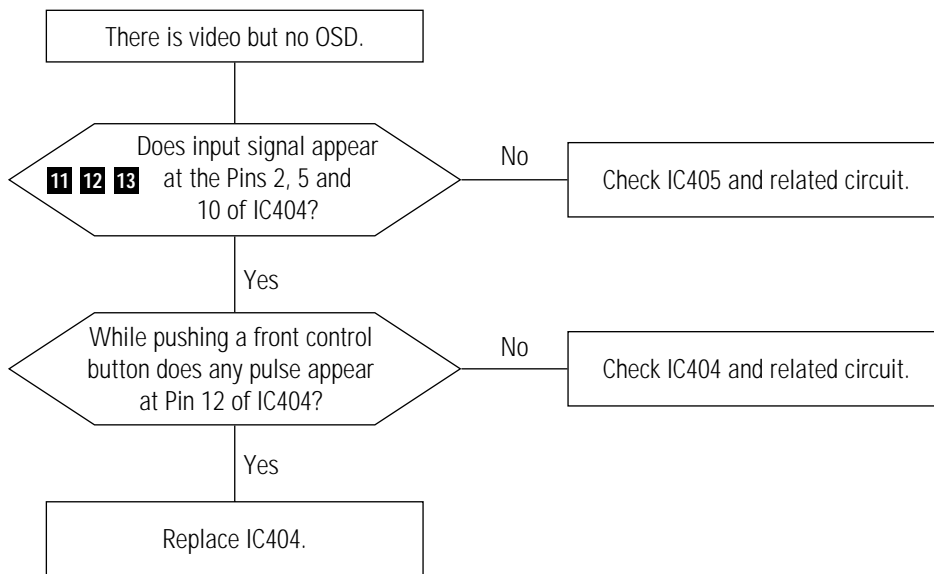
### 5-2 No Video



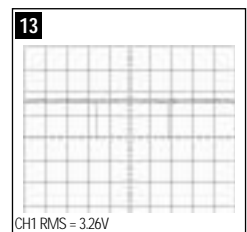
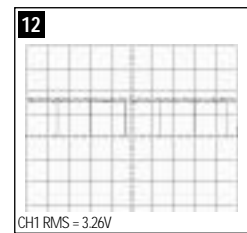
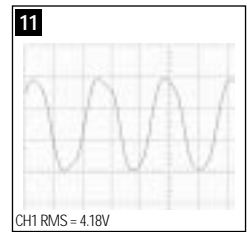


**WAVEFORMS**

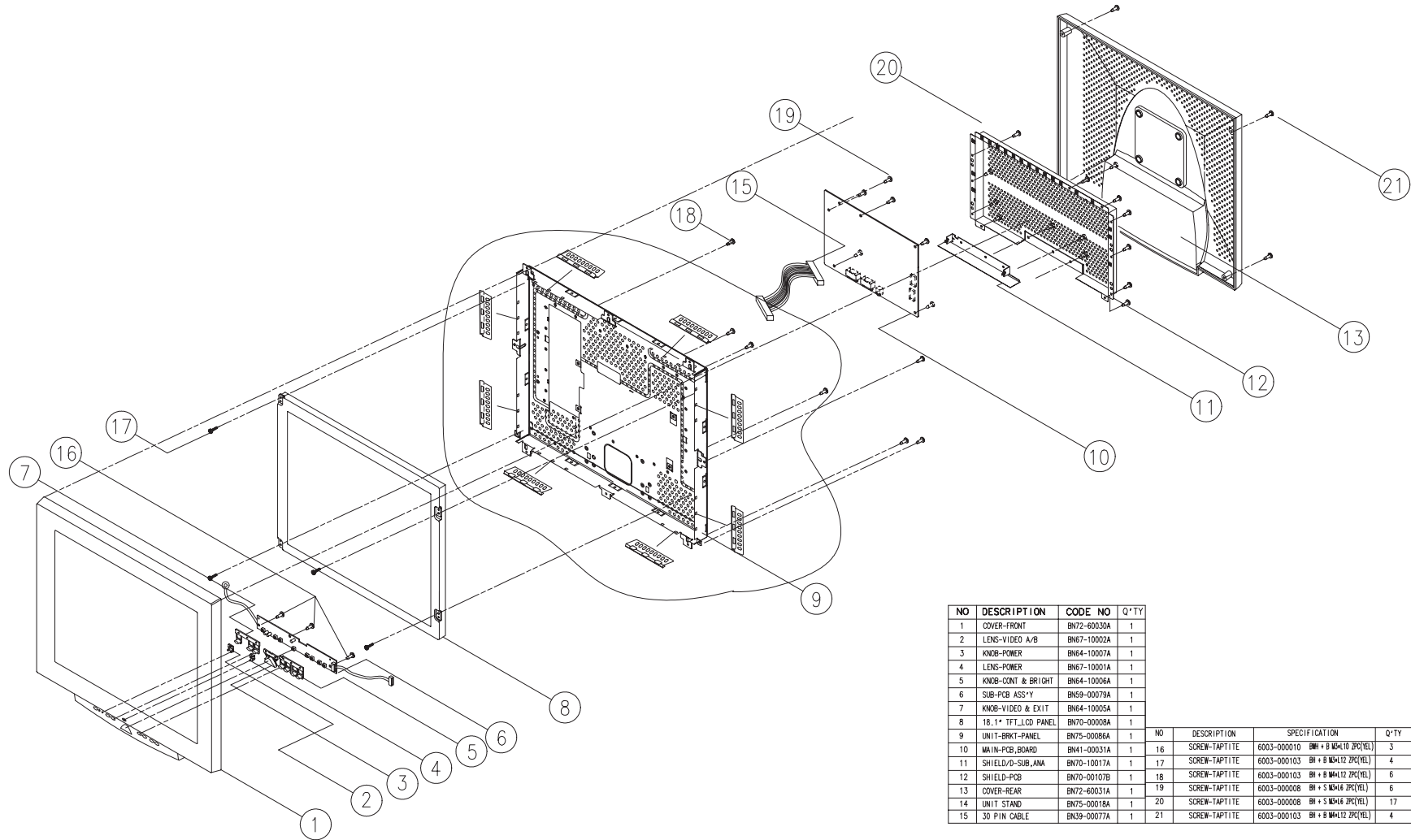
### 5-3 No OSD



#### WAVEFORMS



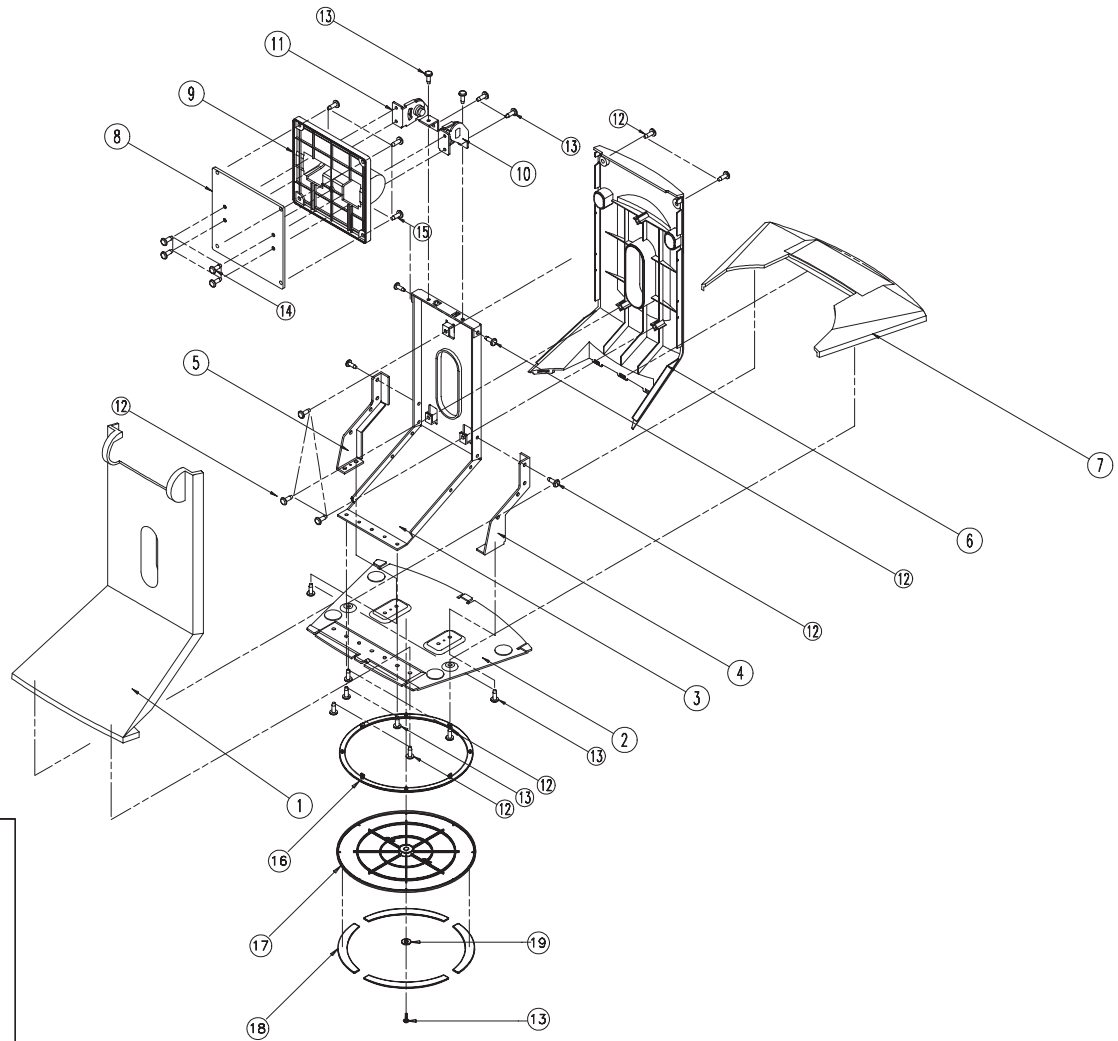
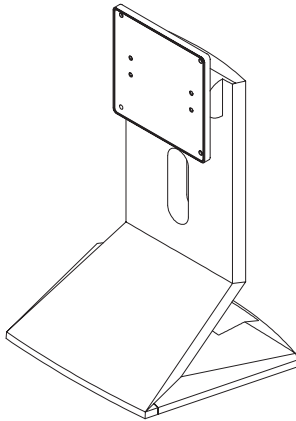
## 6 Exploded View and Parts List



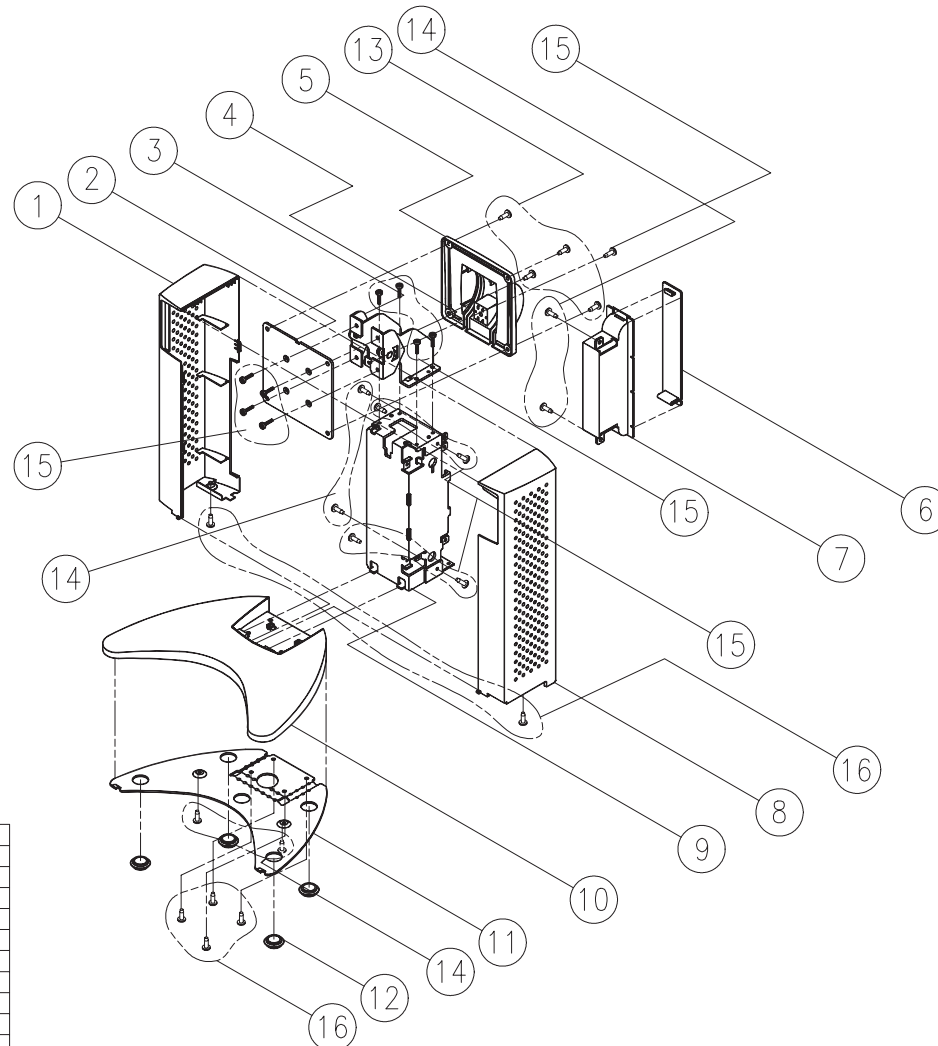
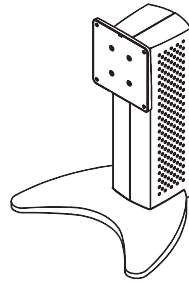
NO	DESCRIPTION	CODE NO	Q'TY
1	COVER-FRONT	BN72-60030A	1
2	LENS-VIDEO A/B	BN67-10002A	1
3	KNOB-POWER	BN64-10007A	1
4	LENS-POWER	BN67-10001A	1
5	KNOB-CONT & BRIGHT	BN64-10006A	1
6	SUB-PCB ASS'Y	BN59-00079A	1
7	KNOB-VIDEO & EXIT	BN64-10005A	1
8	18.1" TFT_LCD PANEL	BN70-00008A	1
9	UNIT-BRKT-PANEL	BN75-00066A	1
10	MAIN-PCB_BOARD	BN41-00031A	1
11	SHIELD/O-SUB_ANA	BN70-10017A	1
12	SHIELD-PCB	BN70-00107B	1
13	COVER-REAR	BN72-60031A	1
14	UNIT STAND	BN75-00018A	1
15	30 PIN CABLE	BN39-00077A	1

NO	DESCRIPTION	SPECIFICATION	Q'TY
16	SCREW-TAPTITE	6003-000010 BH + 8 M4X10 ZPC(VEL)	3
17	SCREW-TAPTITE	6003-000103 BH + 8 M4X12 ZPC(VEL)	4
18	SCREW-TAPTITE	6003-000103 BH + 8 M4X12 ZPC(VEL)	6
19	SCREW-TAPTITE	6003-000008 BH + 5 M4X6 ZPC(VEL)	6
20	SCREW-TAPTITE	6003-000008 BH + 5 M4X6 ZPC(VEL)	17
21	SCREW-TAPTITE	6003-000103 BH + 8 M4X12 ZPC(VEL)	4



BN75-00018A	19	6031-001095	WASHER PLATE		1	
	18	BN73-40003A	RUBBER FOOT		4	
	17	BN72-00066A	STAND_BOTTOM	ABS HB IV16 (NONE, 1.5)	1	
	16	BN72-00065A	SWIVEL RING	ACETAL	1	
	15	BN60-00002A	SCREW-MACHINE	BH,+,-,L10,NL,PLT,SICH18A,M	4	
	14	6001-001157	SCREW-MACHINE	FH,+ ,M4,L10,ZPC(BLK)	4	
	13	6003-000133	SCREW-TAPTITE	BH,+ ,S,M4,L8,ZPC(YEL)	10	
	12	6003-000122	SCREW-TAPTITE	BH,+ ,B,M4,L12,ZPC(YEL)	9	
	11	BN61-00004A	HINGE-LEFT	SPOC-2D T2.5,SUS304 T2.5	1	
	10	BN61-00003A	HINGE-RIGHT	SPOC-2D T2.5,SUS304 T2.5	1	
	9	BN72-00004A	CAP-HINGE	ABS HB IV16 (NONE, 1.5)	1	
	8	BN70-00009A	BRKT-VESA	SPOC-2D T2.5	1	
	7	BN72-00003A	STAND-BASE	ABS HB IV16 (NONE, 1.5)	1	
	6	BN72-00002A	STAND-REAR	ABS HB IV16 (NONE, 1.5)	1	
	5	BN70-00013A	BRKT-GUIDE/LEFT	SECC-1 T2.0	1	
	4	BN70-00014A	BRKT-GUIDE/RIGHT	SECC-1 T2.0	1	
	3	BN70-00007A	BRKT-STAND/BODY	SECC-1 T2.0	1	
	2	BN70-00008A	BRKT-BOTTOM	SECC-1 T2.0	1	
	1	BN72-00001A	STAND-FRONT	ABS HB IV16 (NONE, 1.5)	1	
UNIT-CODE	INO.	CODE NO.	DESCRIPTION	SPECIFICATION	QTY	REMARKS



BN75-00006X	16	SCREW-TAPTITE	6003-000129	BH + S M4x1.0 ZPC(YEL)	6
	15	SCREW-TAPTITE	6003-000133	BH + S M4x1.8 ZPC(YEL)	13
	14	SCREW-TAPTITE	6003-000122	BH + B M4x1.2 ZPC(YEL)	6
	13	SCREW-MACHINE	BN69-0002A	BH + M4x1.0 ZPC(YEL)	4
	12	RUBBER FOOT	BN61-40001A	NEOPRENE 65HB, GRAY	4
	11	BRKT-STAND BASE	BN70-10029A	SPCC-2D T2.0	1
	10	STAND BASE	BN72-60035A	ABS+PC 5V, IV28	1
	9	BRKT-TOWER	BN70-10030A	SECC T2.0	1
	8	COVER TOWER RIGHT	BN72-60034A	ABS+PC 5V, PU03	1
	7	CASE-USB	BN72-60037A	ABS+PC 5V, PU03	1
	6	COVER-USB	BN72-60036A	ABS+PC 5V, PU03	1
	5	CAP HINGE	BN72-60032A	ABS+PC 5V, IV28	1
	4	ASS'Y HINGE RIGHT	BN61-80001A	SPCC-2D T2.0	1
	3	ASS'Y HINGE LEFT	BN61-80002A	SPCC-2D T2.0	1
	2	PLATE-VESA	BN70-10031A	SECC T2.0	1
	1	COVER TOWER LEFT	BN72-60033A	ABS+PC 5V, PU03	1
UNIT CODE-NO. (REMARKS)	NO	DESCRIPTION	PART CODE-NO	SPECIFICATION	Q'TY
<b>UNIT PART LIST</b>					

**Memo**

## 7 Electrical Parts List

### 7-1 Main PCB Parts

Loc. No.	Code No.	Description	Specification	Remarks
-	BN91-00013X	PROCESS-DV18MST(TSB)	"DV18MST,DAVINCH(TSB),-,-"	
C101	2402-000176	"C-AL,SMD"	"10uF,20%,16V,GP,TP,4.3x4.3x5.4"	
C102	2203-000257	"C-CERAMIC,CHIP"	"10nF,10%,50V,X7R,TP,1608"	
C103	2203-000257	"C-CERAMIC,CHIP"	"10nF,10%,50V,X7R,TP,1608"	
C104	2402-001044	"C-AL,SMD"	"100uF,20%,25V,-,TP,8.3x8.3x6.3"	
C105	2402-001042	"C-AL,SMD"	"100uF,20%,16V,GP,TP,6.6x6.6x5."	
C106	2203-005005	"C-CERAMIC,CHIP"	"100nF,10%,16V,X7R,TP,1608"	
C107	2203-005005	"C-CERAMIC,CHIP"	"100nF,10%,16V,X7R,TP,1608"	
C108	2402-001042	"C-AL,SMD"	"100uF,20%,16V,GP,TP,6.6x6.6x5."	
C110	2203-000257	"C-CERAMIC,CHIP"	"10nF,10%,50V,X7R,TP,1608"	
C111	2203-000257	"C-CERAMIC,CHIP"	"10nF,10%,50V,X7R,TP,1608"	
C118	2203-000257	"C-CERAMIC,CHIP"	"10nF,10%,50V,X7R,TP,1608"	
C119	2203-000257	"C-CERAMIC,CHIP"	"10nF,10%,50V,X7R,TP,1608"	
C120	2402-001044	"C-AL,SMD"	"100uF,20%,25V,-,TP,8.3x8.3x6.3"	
C121	2404-001075	"C-TA,CHIP"	"100UF,20%,16V,GP,TP,7343"	
C122	2402-001042	"C-AL,SMD"	"100uF,20%,16V,GP,TP,6.6x6.6x5."	
C123	2203-005005	"C-CERAMIC,CHIP"	"100nF,10%,16V,X7R,TP,1608"	
C124	2402-001042	"C-AL,SMD"	"100uF,20%,16V,GP,TP,6.6x6.6x5."	
C125	2203-005005	"C-CERAMIC,CHIP"	"100nF,10%,16V,X7R,TP,1608"	
C126	2203-005005	"C-CERAMIC,CHIP"	"100nF,10%,16V,X7R,TP,1608"	
C127	2203-005005	"C-CERAMIC,CHIP"	"100nF,10%,16V,X7R,TP,1608"	
C128	2203-005005	"C-CERAMIC,CHIP"	"100nF,10%,16V,X7R,TP,1608"	
C129	2203-005005	"C-CERAMIC,CHIP"	"100nF,10%,16V,X7R,TP,1608"	
C130	2203-005005	"C-CERAMIC,CHIP"	"100nF,10%,16V,X7R,TP,1608"	
C131	2203-005005	"C-CERAMIC,CHIP"	"100nF,10%,16V,X7R,TP,1608"	
C132	2203-005005	"C-CERAMIC,CHIP"	"100nF,10%,16V,X7R,TP,1608"	
C133	2203-005005	"C-CERAMIC,CHIP"	"100nF,10%,16V,X7R,TP,1608"	
C134	2402-000176	"C-AL,SMD"	"10uF,20%,16V,GP,TP,4.3x4.3x5.4"	
C135	2402-001044	"C-AL,SMD"	"100uF,20%,25V,-,TP,8.3x8.3x6.3"	
C136	2203-000257	"C-CERAMIC,CHIP"	"10nF,10%,50V,X7R,TP,1608"	
C137	2203-005005	"C-CERAMIC,CHIP"	"100nF,10%,16V,X7R,TP,1608"	
C138	2203-005005	"C-CERAMIC,CHIP"	"100nF,10%,16V,X7R,TP,1608"	
C201	2203-000257	"C-CERAMIC,CHIP"	"10nF,10%,50V,X7R,TP,1608"	
C202	2402-000176	"C-AL,SMD"	"10uF,20%,16V,GP,TP,4.3x4.3x5.4"	
C203	2203-000257	"C-CERAMIC,CHIP"	"10nF,10%,50V,X7R,TP,1608"	
C204	2402-000176	"C-AL,SMD"	"10uF,20%,16V,GP,TP,4.3x4.3x5.4"	
C205	2203-001656	"C-CERAMIC,CHIP"	"0.47nF,5%,50V,NP0,TP,1608"	
C207	2402-000176	"C-AL,SMD"	"10uF,20%,16V,GP,TP,4.3x4.3x5.4"	
C208	2203-000257	"C-CERAMIC,CHIP"	"10nF,10%,50V,X7R,TP,1608"	
C209	2203-000257	"C-CERAMIC,CHIP"	"10nF,10%,50V,X7R,TP,1608"	
C210	2402-000176	"C-AL,SMD"	"10uF,20%,16V,GP,TP,4.3x4.3x5.4"	
C211	2203-005005	"C-CERAMIC,CHIP"	"100nF,10%,16V,X7R,TP,1608"	
C213	2402-000176	"C-AL,SMD"	"10uF,20%,16V,GP,TP,4.3x4.3x5.4"	
C214	2203-000257	"C-CERAMIC,CHIP"	"10nF,10%,50V,X7R,TP,1608"	
C217	2402-000176	"C-AL,SMD"	"10uF,20%,16V,GP,TP,4.3x4.3x5.4"	

Loc. No.	Code No.	Description	Specification	Remarks
C218	2203-000257	"C-CERAMIC,CHIP"	"10nF,10%,50V,X7R,TP,1608"	
C219	2402-000176	"C-AL,SMD"	"10uF,20%,16V,GP,TP,4.3x4.3x5.4"	
C222	2203-000257	"C-CERAMIC,CHIP"	"10nF,10%,50V,X7R,TP,1608"	
C223	2402-000176	"C-AL,SMD"	"10uF,20%,16V,GP,TP,4.3x4.3x5.4"	
C226	2203-005005	"C-CERAMIC,CHIP"	"100nF,10%,16V,X7R,TP,1608"	
C230	2203-005005	"C-CERAMIC,CHIP"	"100nF,10%,16V,X7R,TP,1608"	
C232	2203-001607	"C-CERAMIC,CHIP"	"0.22nF,5%,50V,NP0,TP,1608"	
C233	2203-000998	"C-CERAMIC,CHIP"	"0.047nF,5%,50V,NP0,TP,1608"	
C234	2203-001607	"C-CERAMIC,CHIP"	"0.22nF,5%,50V,NP0,TP,1608"	
C235	2203-005005	"C-CERAMIC,CHIP"	"100nF,10%,16V,X7R,TP,1608"	
C236	2203-001607	"C-CERAMIC,CHIP"	"0.22nF,5%,50V,NP0,TP,1608"	
C238	2203-001607	"C-CERAMIC,CHIP"	"0.22nF,5%,50V,NP0,TP,1608"	
C239	2203-000998	"C-CERAMIC,CHIP"	"0.047nF,5%,50V,NP0,TP,1608"	
C240	2203-001607	"C-CERAMIC,CHIP"	"0.22nF,5%,50V,NP0,TP,1608"	
C241	2203-001607	"C-CERAMIC,CHIP"	"0.22nF,5%,50V,NP0,TP,1608"	
C242	2203-001607	"C-CERAMIC,CHIP"	"0.22nF,5%,50V,NP0,TP,1608"	
C243	2402-000176	"C-AL,SMD"	"10uF,20%,16V,GP,TP,4.3x4.3x5.4"	
C244	2203-001607	"C-CERAMIC,CHIP"	"0.22nF,5%,50V,NP0,TP,1608"	
C245	2402-000176	"C-AL,SMD"	"10uF,20%,16V,GP,TP,4.3x4.3x5.4"	
C246	2203-000257	"C-CERAMIC,CHIP"	"10nF,10%,50V,X7R,TP,1608"	
C247	2203-000257	"C-CERAMIC,CHIP"	"10nF,10%,50V,X7R,TP,1608"	
C248	2402-000176	"C-AL,SMD"	"10uF,20%,16V,GP,TP,4.3x4.3x5.4"	
C249	2203-005005	"C-CERAMIC,CHIP"	"100nF,10%,16V,X7R,TP,1608"	
C301	2203-005005	"C-CERAMIC,CHIP"	"100nF,10%,16V,X7R,TP,1608"	
C302	2203-005005	"C-CERAMIC,CHIP"	"100nF,10%,16V,X7R,TP,1608"	
C303	2203-005005	"C-CERAMIC,CHIP"	"100nF,10%,16V,X7R,TP,1608"	
C304	2203-005005	"C-CERAMIC,CHIP"	"100nF,10%,16V,X7R,TP,1608"	
C305	2203-005005	"C-CERAMIC,CHIP"	"100nF,10%,16V,X7R,TP,1608"	
C306	2203-005005	"C-CERAMIC,CHIP"	"100nF,10%,16V,X7R,TP,1608"	
C307	2203-005005	"C-CERAMIC,CHIP"	"100nF,10%,16V,X7R,TP,1608"	
C308	2203-005005	"C-CERAMIC,CHIP"	"100nF,10%,16V,X7R,TP,1608"	
C309	2203-005005	"C-CERAMIC,CHIP"	"100nF,10%,16V,X7R,TP,1608"	
C310	2203-005005	"C-CERAMIC,CHIP"	"100nF,10%,16V,X7R,TP,1608"	
C311	2203-005005	"C-CERAMIC,CHIP"	"100nF,10%,16V,X7R,TP,1608"	
C312	2203-005005	"C-CERAMIC,CHIP"	"100nF,10%,16V,X7R,TP,1608"	
C313	2203-005005	"C-CERAMIC,CHIP"	"100nF,10%,16V,X7R,TP,1608"	
C314	2203-005005	"C-CERAMIC,CHIP"	"100nF,10%,16V,X7R,TP,1608"	
C315	2203-005005	"C-CERAMIC,CHIP"	"100nF,10%,16V,X7R,TP,1608"	
C316	2203-005005	"C-CERAMIC,CHIP"	"100nF,10%,16V,X7R,TP,1608"	
C317	2203-005005	"C-CERAMIC,CHIP"	"100nF,10%,16V,X7R,TP,1608"	
C318	2203-005005	"C-CERAMIC,CHIP"	"100nF,10%,16V,X7R,TP,1608"	
C319	2203-005005	"C-CERAMIC,CHIP"	"100nF,10%,16V,X7R,TP,1608"	
C320	2203-005005	"C-CERAMIC,CHIP"	"100nF,10%,16V,X7R,TP,1608"	
C321	2203-005005	"C-CERAMIC,CHIP"	"100nF,10%,16V,X7R,TP,1608"	
C322	2203-005005	"C-CERAMIC,CHIP"	"100nF,10%,16V,X7R,TP,1608"	
C323	2203-005005	"C-CERAMIC,CHIP"	"100nF,10%,16V,X7R,TP,1608"	
C324	2203-005005	"C-CERAMIC,CHIP"	"100nF,10%,16V,X7R,TP,1608"	



Loc. No.	Code No.	Description	Specification	Remarks
C325	2203-005005	"C-CERAMIC,CHIP"	"100nF, 10%, 16V,X7R, TP,1608"	
C326	2203-005005	"C-CERAMIC,CHIP"	"100nF, 10%, 16V,X7R, TP,1608"	
C327	2203-000257	"C-CERAMIC,CHIP"	"10nF,10%,50V,X7R,TP,1608"	
C328	2203-005221	"C-CERAMIC,CHIP"	"15nF,10%,50V,X7R,TP,1608,-"	
C329	2203-005221	"C-CERAMIC,CHIP"	"15nF,10%,50V,X7R,TP,1608,-"	
C330	2203-005221	"C-CERAMIC,CHIP"	"15nF,10%,50V,X7R,TP,1608,-"	
C332	2203-005005	"C-CERAMIC,CHIP"	"100nF, 10%, 16V,X7R, TP,1608"	
C333	2402-000176	"C-AL,SMD"	"10uF,20%,16V,GP,TP,4.3x4.3x5.4"	
C334	2402-000176	"C-AL,SMD"	"10uF,20%,16V,GP,TP,4.3x4.3x5.4"	
C335	2402-000176	"C-AL,SMD"	"10uF,20%,16V,GP,TP,4.3x4.3x5.4"	
C354	2203-000384	"C-CERAMIC,CHIP"	"0.015nF,5%,50V,NP0,TP,1608"	
C355	2203-000384	"C-CERAMIC,CHIP"	"0.015nF,5%,50V,NP0,TP,1608"	
C356	2203-000384	"C-CERAMIC,CHIP"	"0.015nF,5%,50V,NP0,TP,1608"	
C357	2203-000257	"C-CERAMIC,CHIP"	"10nF,10%,50V,X7R,TP,1608"	
C401	2203-005005	"C-CERAMIC,CHIP"	"100nF, 10%, 16V,X7R, TP,1608"	
C402	2203-005005	"C-CERAMIC,CHIP"	"100nF, 10%, 16V,X7R, TP,1608"	
C403	2203-005005	"C-CERAMIC,CHIP"	"100nF, 10%, 16V,X7R, TP,1608"	
C404	2203-005005	"C-CERAMIC,CHIP"	"100nF, 10%, 16V,X7R, TP,1608"	
C405	2203-005005	"C-CERAMIC,CHIP"	"100nF, 10%, 16V,X7R, TP,1608"	
C406	2203-005005	"C-CERAMIC,CHIP"	"100nF, 10%, 16V,X7R, TP,1608"	
C407	2203-005005	"C-CERAMIC,CHIP"	"100nF, 10%, 16V,X7R, TP,1608"	
C408	2203-005005	"C-CERAMIC,CHIP"	"100nF, 10%, 16V,X7R, TP,1608"	
C409	2203-005005	"C-CERAMIC,CHIP"	"100nF, 10%, 16V,X7R, TP,1608"	
C410	2203-005005	"C-CERAMIC,CHIP"	"100nF, 10%, 16V,X7R, TP,1608"	
C411	2203-005005	"C-CERAMIC,CHIP"	"100nF, 10%, 16V,X7R, TP,1608"	
C412	2203-005005	"C-CERAMIC,CHIP"	"100nF, 10%, 16V,X7R, TP,1608"	
C413	2203-005005	"C-CERAMIC,CHIP"	"100nF, 10%, 16V,X7R, TP,1608"	
C414	2203-005005	"C-CERAMIC,CHIP"	"100nF, 10%, 16V,X7R, TP,1608"	
C415	2203-005005	"C-CERAMIC,CHIP"	"100nF, 10%, 16V,X7R, TP,1608"	
C416	2203-005005	"C-CERAMIC,CHIP"	"100nF, 10%, 16V,X7R, TP,1608"	
C417	2203-005005	"C-CERAMIC,CHIP"	"100nF, 10%, 16V,X7R, TP,1608"	
C418	2203-005005	"C-CERAMIC,CHIP"	"100nF, 10%, 16V,X7R, TP,1608"	
C419	2203-005005	"C-CERAMIC,CHIP"	"100nF, 10%, 16V,X7R, TP,1608"	
C420	2402-000176	"C-AL,SMD"	"10uF,20%,16V,GP,TP,4.3x4.3x5.4"	
C421	2203-000384	"C-CERAMIC,CHIP"	"0.015nF,5%,50V,NP0,TP,1608"	
C422	2203-005005	"C-CERAMIC,CHIP"	"100nF, 10%, 16V,X7R, TP,1608"	
C424	2203-005005	"C-CERAMIC,CHIP"	"100nF, 10%, 16V,X7R, TP,1608"	
C425	2203-005005	"C-CERAMIC,CHIP"	"100nF, 10%, 16V,X7R, TP,1608"	
C426	2203-005005	"C-CERAMIC,CHIP"	"100nF, 10%, 16V,X7R, TP,1608"	
C427	2203-005005	"C-CERAMIC,CHIP"	"100nF, 10%, 16V,X7R, TP,1608"	
C428	2402-000176	"C-AL,SMD"	"10uF,20%,16V,GP,TP,4.3x4.3x5.4"	
C429	2203-005005	"C-CERAMIC,CHIP"	"100nF, 10%, 16V,X7R, TP,1608"	
C430	2203-000280	"C-CERAMIC,CHIP"	"0.01nF,0.5pF,50V,NP0,TP,1608"	
C431	2402-000176	"C-AL,SMD"	"10uF,20%,16V,GP,TP,4.3x4.3x5.4"	
C432	2203-005005	"C-CERAMIC,CHIP"	"100nF, 10%, 16V,X7R, TP,1608"	
C433	2203-005005	"C-CERAMIC,CHIP"	"100nF, 10%, 16V,X7R, TP,1608"	
C434	2203-005005	"C-CERAMIC,CHIP"	"100nF, 10%, 16V,X7R, TP,1608"	

Loc. No.	Code No.	Description	Specification	Remarks
C436	2203-000280	"C-CERAMIC,CHIP"	"0.01nF,0.5pF,50V,NP0,TP,1608"	
C437	2203-000280	"C-CERAMIC,CHIP"	"0.01nF,0.5pF,50V,NP0,TP,1608"	
C438	2203-000280	"C-CERAMIC,CHIP"	"0.01nF,0.5pF,50V,NP0,TP,1608"	
C439	2203-000280	"C-CERAMIC,CHIP"	"0.01nF,0.5pF,50V,NP0,TP,1608"	
C440	2203-005005	"C-CERAMIC,CHIP"	"100nF,10%,16V,X7R,TP,1608"	
C441	2402-000176	"C-AL,SMD"	"10uF,20%,16V,GP,TP,4.3x4.3x5.4"	
C442	2203-005005	"C-CERAMIC,CHIP"	"100nF,10%,16V,X7R,TP,1608"	
C443	2203-005005	"C-CERAMIC,CHIP"	"100nF,10%,16V,X7R,TP,1608"	
C444	2203-005005	"C-CERAMIC,CHIP"	"100nF,10%,16V,X7R,TP,1608"	
C445	2203-005005	"C-CERAMIC,CHIP"	"100nF,10%,16V,X7R,TP,1608"	
C446	2203-005005	"C-CERAMIC,CHIP"	"100nF,10%,16V,X7R,TP,1608"	
C448	2203-005005	"C-CERAMIC,CHIP"	"100nF,10%,16V,X7R,TP,1608"	
C449	2203-005005	"C-CERAMIC,CHIP"	"100nF,10%,16V,X7R,TP,1608"	
C450	2203-005005	"C-CERAMIC,CHIP"	"100nF,10%,16V,X7R,TP,1608"	
C451	2203-000626	"C-CERAMIC,CHIP"	"0.022nF,5%,50V,NP0,TP,1608"	
C452	2402-000176	"C-AL,SMD"	"10uF,20%,16V,GP,TP,4.3x4.3x5.4"	
C453	2203-000626	"C-CERAMIC,CHIP"	"0.022nF,5%,50V,NP0,TP,1608"	
C454	2203-005005	"C-CERAMIC,CHIP"	"100nF,10%,16V,X7R,TP,1608"	
C455	2203-005005	"C-CERAMIC,CHIP"	"100nF,10%,16V,X7R,TP,1608"	
C456	2402-000176	"C-AL,SMD"	"10uF,20%,16V,GP,TP,4.3x4.3x5.4"	
C457	2203-005005	"C-CERAMIC,CHIP"	"100nF,10%,16V,X7R,TP,1608"	
C458	2402-001042	"C-AL,SMD"	"100uF,20%,16V,GP,TP,6.6x6.6x5."	
C459	2203-005005	"C-CERAMIC,CHIP"	"100nF,10%,16V,X7R,TP,1608"	
C460	2203-005005	"C-CERAMIC,CHIP"	"100nF,10%,16V,X7R,TP,1608"	
C461	2203-000280	"C-CERAMIC,CHIP"	"0.01nF,0.5pF,50V,NP0,TP,1608"	
C501	2203-000257	"C-CERAMIC,CHIP"	"10nF,10%,50V,X7R,TP,1608"	
C502	2203-000257	"C-CERAMIC,CHIP"	"10nF,10%,50V,X7R,TP,1608"	
C503	2402-000176	"C-AL,SMD"	"10uF,20%,16V,GP,TP,4.3x4.3x5.4"	
C504	2402-000176	"C-AL,SMD"	"10uF,20%,16V,GP,TP,4.3x4.3x5.4"	
C506	2203-000626	"C-CERAMIC,CHIP"	"0.022nF,5%,50V,NP0,TP,1608"	
C507	2203-000626	"C-CERAMIC,CHIP"	"0.022nF,5%,50V,NP0,TP,1608"	
C508	2402-000176	"C-AL,SMD"	"10uF,20%,16V,GP,TP,4.3x4.3x5.4"	
C509	2203-000257	"C-CERAMIC,CHIP"	"10nF,10%,50V,X7R,TP,1608"	
C510	2203-000236	"C-CERAMIC,CHIP"	"0.1nF,5%,50V,NP0,TP,1608"	
C511	2203-000236	"C-CERAMIC,CHIP"	"0.1nF,5%,50V,NP0,TP,1608"	
C512	2203-000257	"C-CERAMIC,CHIP"	"10nF,10%,50V,X7R,TP,1608"	
C513	2402-000176	"C-AL,SMD"	"10uF,20%,16V,GP,TP,4.3x4.3x5.4"	
C514	2203-005005	"C-CERAMIC,CHIP"	"100nF,10%,16V,X7R,TP,1608"	
C515	2402-001042	"C-AL,SMD"	"100uF,20%,16V,GP,TP,6.6x6.6x5."	
C516	2203-000491	"C-CERAMIC,CHIP"	"2.2nF,10%,50V,X7R,TP,1608,-"	
C517	2402-000176	"C-AL,SMD"	"10uF,20%,16V,GP,TP,4.3x4.3x5.4"	
C603	2402-000176	"C-AL,SMD"	"10uF,20%,16V,GP,TP,4.3x4.3x5.4"	
C604	2402-000176	"C-AL,SMD"	"10uF,20%,16V,GP,TP,4.3x4.3x5.4"	
C605	2402-000176	"C-AL,SMD"	"10uF,20%,16V,GP,TP,4.3x4.3x5.4"	
C606	2402-000176	"C-AL,SMD"	"10uF,20%,16V,GP,TP,4.3x4.3x5.4"	
C607	2203-000257	"C-CERAMIC,CHIP"	"10nF,10%,50V,X7R,TP,1608"	
C608	2203-000257	"C-CERAMIC,CHIP"	"10nF,10%,50V,X7R,TP,1608"	

Loc. No.	Code No.	Description	Specification	Remarks
C609	2203-000257	"C-CERAMIC,CHIP"	"10nF,10%,50V,X7R,TP,1608"	
C610	2203-000257	"C-CERAMIC,CHIP"	"10nF,10%,50V,X7R,TP,1608"	
C611	2203-000257	"C-CERAMIC,CHIP"	"10nF,10%,50V,X7R,TP,1608"	
C612	2203-000257	"C-CERAMIC,CHIP"	"10nF,10%,50V,X7R,TP,1608"	
C613	2203-000260	"C-CERAMIC,CHIP"	"10nF,10%,50V,X7R,TP,2012"	
C620	2402-000176	"C-AL,SMD"	"10uF,20%,16V,GP,TP,4.3x4.3x5.4"	
C621	2402-000176	"C-AL,SMD"	"10uF,20%,16V,GP,TP,4.3x4.3x5.4"	
C622	2402-000176	"C-AL,SMD"	"10uF,20%,16V,GP,TP,4.3x4.3x5.4"	
C625	2402-001042	"C-AL,SMD"	"100uF,20%,16V,GP,TP,6.6x6.6x5."	
C626	2203-005005	"C-CERAMIC,CHIP"	"100nF,10%,16V,X7R,TP,1608"	
C631	2203-005005	"C-CERAMIC,CHIP"	"100nF,10%,16V,X7R,TP,1608"	
C632	2203-005005	"C-CERAMIC,CHIP"	"100nF,10%,16V,X7R,TP,1608"	
C633	2203-000455	"C-CERAMIC,CHIP"	"1nF,5%,50V,NPO,TP,2012"	
C634	2203-000455	"C-CERAMIC,CHIP"	"1nF,5%,50V,NPO,TP,2012"	
C635	2203-005005	"C-CERAMIC,CHIP"	"100nF,10%,16V,X7R,TP,1608"	
C636	2203-000455	"C-CERAMIC,CHIP"	"1nF,5%,50V,NPO,TP,2012"	
C637	2203-000455	"C-CERAMIC,CHIP"	"1nF,5%,50V,NPO,TP,2012"	
C638	2203-000455	"C-CERAMIC,CHIP"	"1nF,5%,50V,NPO,TP,2012"	
C639	2203-005005	"C-CERAMIC,CHIP"	"100nF,10%,16V,X7R,TP,1608"	
C640	2203-000455	"C-CERAMIC,CHIP"	"1nF,5%,50V,NPO,TP,2012"	
C641	2203-005005	"C-CERAMIC,CHIP"	"100nF,10%,16V,X7R,TP,1608"	
C642	2203-005005	"C-CERAMIC,CHIP"	"100nF,10%,16V,X7R,TP,1608"	
CA300	2503-001018	C-NETWORK	"15PFX4,10%,50V,-"	
CA301	2503-001018	C-NETWORK	"15PFX4,10%,50V,-"	
CA302	2503-001018	C-NETWORK	"15PFX4,10%,50V,-"	
CA303	2503-001018	C-NETWORK	"15PFX4,10%,50V,-"	
CA304	2503-001018	C-NETWORK	"15PFX4,10%,50V,-"	
CA305	2503-001018	C-NETWORK	"15PFX4,10%,50V,-"	
CA306	2503-001018	C-NETWORK	"15PFX4,10%,50V,-"	
CA307	2503-001018	C-NETWORK	"15PFX4,10%,50V,-"	
CA308	2503-001018	C-NETWORK	"15PFX4,10%,50V,-"	
CA309	2503-001018	C-NETWORK	"15PFX4,10%,50V,-"	
CA310	2503-001018	C-NETWORK	"15PFX4,10%,50V,-"	
CA311	2503-001018	C-NETWORK	"15PFX4,10%,50V,-"	
CA401	2503-001018	C-NETWORK	"15PFX4,10%,50V,-"	
CA402	2503-001018	C-NETWORK	"15PFX4,10%,50V,-"	
CA403	2503-001018	C-NETWORK	"15PFX4,10%,50V,-"	
CA404	2503-001018	C-NETWORK	"15PFX4,10%,50V,-"	
CA405	2503-001018	C-NETWORK	"15PFX4,10%,50V,-"	
CA406	2503-001018	C-NETWORK	"15PFX4,10%,50V,-"	
CA407	2503-001018	C-NETWORK	"15PFX4,10%,50V,-"	
CA408	2503-001018	C-NETWORK	"15PFX4,10%,50V,-"	
CA409	2503-001018	C-NETWORK	"15PFX4,10%,50V,-"	
CA410	2503-001018	C-NETWORK	"15PFX4,10%,50V,-"	
CA411	2503-001018	C-NETWORK	"15PFX4,10%,50V,-"	
CA412	2503-001018	C-NETWORK	"15PFX4,10%,50V,-"	
CIS	BN46-00004Q	"MICOM-S/W,DV18M(TSB)"	"DV18M(TSB),-,-"	

Loc. No.	Code No.	Description	Specification	Remarks
CN102	3711-002050	CONNECTOR-HEADER	"BOX,10P,1R,1.25mm,SMD-A,SN"	
CN301	3711-004070	CONNECTOR-HEADER	"BOX,30P,1R,1.25mm,SMD-A,SN"	
D101	0402-001098	DIODE-RECTIFIER	"SK34,40V,3.0A,SMC,TP"	
D102	0402-001098	DIODE-RECTIFIER	"SK34,40V,3.0A,SMC,TP"	
D103	0401-001056	DIODE-SWITCHING	"MMBD4148SE,75V,600mA,SOT-23,TP"	
D104	0401-001056	DIODE-SWITCHING	"MMBD4148SE,75V,600mA,SOT-23,TP"	
D201	0401-001056	DIODE-SWITCHING	"MMBD4148SE,75V,600mA,SOT-23,TP"	
D202	0401-001056	DIODE-SWITCHING	"MMBD4148SE,75V,600mA,SOT-23,TP"	
D203	0401-001056	DIODE-SWITCHING	"MMBD4148SE,75V,600mA,SOT-23,TP"	
D204	0401-001056	DIODE-SWITCHING	"MMBD4148SE,75V,600mA,SOT-23,TP"	
D205	0401-001056	DIODE-SWITCHING	"MMBD4148SE,75V,600mA,SOT-23,TP"	
D206	0401-001056	DIODE-SWITCHING	"MMBD4148SE,75V,600mA,SOT-23,TP"	
D207	0401-001056	DIODE-SWITCHING	"MMBD4148SE,75V,600mA,SOT-23,TP"	
D208	0401-001056	DIODE-SWITCHING	"MMBD4148SE,75V,600mA,SOT-23,TP"	
D209	0401-001056	DIODE-SWITCHING	"MMBD4148SE,75V,600mA,SOT-23,TP"	
D211	0401-001056	DIODE-SWITCHING	"MMBD4148SE,75V,600mA,SOT-23,TP"	
D212	0401-001056	DIODE-SWITCHING	"MMBD4148SE,75V,600mA,SOT-23,TP"	
D213	0401-001056	DIODE-SWITCHING	"MMBD4148SE,75V,600mA,SOT-23,TP"	
D214	0401-001056	DIODE-SWITCHING	"MMBD4148SE,75V,600mA,SOT-23,TP"	
D215	0401-001056	DIODE-SWITCHING	"MMBD4148SE,75V,600mA,SOT-23,TP"	
D216	0401-001056	DIODE-SWITCHING	"MMBD4148SE,75V,600mA,SOT-23,TP"	
D3	0401-001056	DIODE-SWITCHING	"MMBD4148SE,75V,600mA,SOT-23,TP"	
D501	0403-000579	DIODE-ZENER	"BZX84C5V1,5.1V,5%,200mW,SOT-23"	
FT101	3301-001145	CORE-FERRITE BEAD	"AB,4.5x1.6x1.6mm,-,-"	
FT102	3301-001145	CORE-FERRITE BEAD	"AB,4.5x1.6x1.6mm,-,-"	
FT103	3301-001145	CORE-FERRITE BEAD	"AB,4.5x1.6x1.6mm,-,-"	
FT108	3301-001145	CORE-FERRITE BEAD	"AB,4.5x1.6x1.6mm,-,-"	
FT109	3301-001145	CORE-FERRITE BEAD	"AB,4.5x1.6x1.6mm,-,-"	
FT110	3301-001145	CORE-FERRITE BEAD	"AB,4.5x1.6x1.6mm,-,-"	
FT111	3301-001145	CORE-FERRITE BEAD	"AB,4.5x1.6x1.6mm,-,-"	
FT112	3301-001145	CORE-FERRITE BEAD	"AB,4.5x1.6x1.6mm,-,-"	
FT141	3301-001278	CORE-FERRITE BEAD	"AB,120ohm,1.6x0.8x0.8mm,200mA,TP,-,0.12ohm"	
FT142	3301-001278	CORE-FERRITE BEAD	"AB,120ohm,1.6x0.8x0.8mm,200mA,TP,-,0.12ohm"	
FT143	3301-001278	CORE-FERRITE BEAD	"AB,120ohm,1.6x0.8x0.8mm,200mA,TP,-,0.12ohm"	
FT144	3301-001278	CORE-FERRITE BEAD	"AB,120ohm,1.6x0.8x0.8mm,200mA,TP,-,0.12ohm"	
FT145	3301-001319	CORE-FERRITE BEAD	"AB,300ohm,16x0.8x0.8mm,200mA,TP,-,0.3ohm"	
FT146	3301-001319	CORE-FERRITE BEAD	"AB,300ohm,16x0.8x0.8mm,200mA,TP,-,0.3ohm"	
FT202	2901-001114	FILTER-EMI SMD	"25VDC,2.0ADC,-,100nF,3.2x1.6x1"	
FT203	2901-001114	FILTER-EMI SMD	"25VDC,2.0ADC,-,100nF,3.2x1.6x1"	
FT204	2901-001114	FILTER-EMI SMD	"25VDC,2.0ADC,-,100nF,3.2x1.6x1"	
FT205	2901-001114	FILTER-EMI SMD	"25VDC,2.0ADC,-,100nF,3.2x1.6x1"	
FT206	2901-001114	FILTER-EMI SMD	"25VDC,2.0ADC,-,100nF,3.2x1.6x1"	
FT301	2703-001070	INDUCTOR-SMD	"100uH,10%,4.5x3.2x3.2mm"	
FT302	2703-001070	INDUCTOR-SMD	"100uH,10%,4.5x3.2x3.2mm"	
FT307	2901-001133	FILTER-EMI SMD	"25V,0.15A,-,33pF,2x1.25x0.8mm,TP"	
FT401	2901-001114	FILTER-EMI SMD	"25VDC,2.0ADC,-,100nF,3.2x1.6x1"	
FT402	2901-001114	FILTER-EMI SMD	"25VDC,2.0ADC,-,100nF,3.2x1.6x1"	

Loc. No.	Code No.	Description	Specification	Remarks
FT403	2901-001114	FILTER-EMI SMD	"25VDC,2.0ADC,-,100nF,3.2x1.6x1"	
FT404	2901-001114	FILTER-EMI SMD	"25VDC,2.0ADC,-,100nF,3.2x1.6x1"	
FT406	2901-001114	FILTER-EMI SMD	"25VDC,2.0ADC,-,100nF,3.2x1.6x1"	
FT407	2901-001114	FILTER-EMI SMD	"25VDC,2.0ADC,-,100nF,3.2x1.6x1"	
FT408	2901-001114	FILTER-EMI SMD	"25VDC,2.0ADC,-,100nF,3.2x1.6x1"	
FT410	2901-001114	FILTER-EMI SMD	"25VDC,2.0ADC,-,100nF,3.2x1.6x1"	
FT411	2901-001114	FILTER-EMI SMD	"25VDC,2.0ADC,-,100nF,3.2x1.6x1"	
FT412	2901-001133	FILTER-EMI SMD	"25V,0.15A,-,33pF,2x1.25x0.8mm,TP"	
FT43	2901-001114	FILTER-EMI SMD	"25VDC,2.0ADC,-,100nF,3.2x1.6x1"	
FT501	2901-001114	FILTER-EMI SMD	"25VDC,2.0ADC,-,100nF,3.2x1.6x1"	
FT502	2901-001114	FILTER-EMI SMD	"25VDC,2.0ADC,-,100nF,3.2x1.6x1"	
FT503	2901-001114	FILTER-EMI SMD	"25VDC,2.0ADC,-,100nF,3.2x1.6x1"	
FT601	2901-001114	FILTER-EMI SMD	"25VDC,2.0ADC,-,100nF,3.2x1.6x1"	
FT602	2901-001114	FILTER-EMI SMD	"25VDC,2.0ADC,-,100nF,3.2x1.6x1"	
FT603	2901-001114	FILTER-EMI SMD	"25VDC,2.0ADC,-,100nF,3.2x1.6x1"	
FT604	2901-001114	FILTER-EMI SMD	"25VDC,2.0ADC,-,100nF,3.2x1.6x1"	
FT605	2901-001114	FILTER-EMI SMD	"25VDC,2.0ADC,-,100nF,3.2x1.6x1"	
FT606	2901-001114	FILTER-EMI SMD	"25VDC,2.0ADC,-,100nF,3.2x1.6x1"	
FT627	2901-001114	FILTER-EMI SMD	"25VDC,2.0ADC,-,100nF,3.2x1.6x1"	
IC101	1203-001448	IC-POSI.FIXED REG.	"2596,TO-263,5P,-,PLASTIC,4.750"	
IC102	1203-001447	IC-POSI.FIXED REG.	"2596,TO-263,5P,-,PLASTIC,3.135"	
IC13	1203-001801	IC-POSI.FIXED REG.	"3300,SOT-23,6P,70MIL,PLASTIC,3.3V,-,55TO+125C,50MA,-,TP"	
IC201	1001-001082	IC-VIDEO SWITCH	"BA7657F,-,SOP,24P,300MIL,SINGL"	
IC204	0803-000106	IC-TTL	"74F132,TRIGGER,SOP,14P,150MIL,"	
IC205	0803-000106	IC-TTL	"74F132,TRIGGER,SOP,14P,150MIL,"	
IC206	0803-000122	IC-TTL	"74F125,BUFFER,SOP,14P,150MIL,Q"	
IC207	0801-002171	IC-CMOS LOGIC	"74LCX125,BUS BUFFER,SOP,14P,15"	
IC208	0803-000117	IC-TTL	"74F14,INVERTER,SOP,14P,150MIL,"	
IC209	0801-002404	IC-CMOS LOGIC	"74VHC4066,ANALOG SWITCH,SOP,14"	
IC300	1002-001171	IC-A/D CONVERTER	"AD9884,8BIT,QFP,128P,-,1/2LSB,TR,CMOS,PLASTIC,4V,0TO+85C,730MW,-"	
IC401	1105-001165	IC-DRAM	"416S1020,512Kx16BITx2,TSOP,50P"	
IC402	1105-001165	IC-DRAM	"416S1020,512Kx16BITx2,TSOP,50P"	
IC403	1105-001165	IC-DRAM	"416S1020,512Kx16BITx2,TSOP,50P"	
IC404	BN09-00001A	IC-OSD PROCESSOR	"LCD,MTV121P-31,16P,-"	
IC405	0801-002237	IC-CMOS LOGIC	"74HC04,INVERTER GATE,SOP,5P,49"	
IC406	1003-001243	IC-LCD CONTROLLER	"MX88L282FC,QFP,256P,1102MIL,DUAL,-,TR,PLASTIC,-,0TO+70C,1.5W,-,"	
IC501	0903-001063	IC-MICROCONTROLLER	"72E75,8BIT,DIP,42P,600MIL,24MH"	
IC501_SOCK	3704-001071	SOCKET-IC	"42P,DIP,SN,1.778mm"	
IC502	1103-001164	IC-EEPROM	"24LC21A,128X8BIT,SOP,8P,150MIL,-,5V,10%,PLASTIC,0 TO +70C,100UA,CMOS,TP"	
IC503	1103-001163	IC-EEPROM	"24LC041,512X8BIT,SOP,8P,150MIL,10MS,5V,10%,PLASTIC,-25TO+70C,10UA,CMOS,TP"	
IC504	1203-001109	IC-VOL. DETECTOR	"7045,SOT-89,3P,-,PLASTIC,4.3/4"	
IC600	1205-001686	IC-TRANSMITTER	"DS90CF383A,TSSOP,56P,240MIL,PALSTIC,4V,1.63W,-10TO+70C,ST,FPD LINK-65MHZ(LVDS)"	
IC601	1205-001686	IC-TRANSMITTER	"DS90CF383A,TSSOP,56P,240MIL,PALSTIC,4V,1.63W,-10TO+70C,ST,FPD LINK-65MHZ(LVDS)"	
L101	2703-001778	INDUCTOR-SMD	"3.3UH,20%,3.2X2.5X2.2MM"	
L102	2703-001778	INDUCTOR-SMD	"3.3UH,20%,3.2X2.5X2.2MM"	
L103	2703-001778	INDUCTOR-SMD	"3.3UH,20%,3.2X2.5X2.2MM"	
L104	BN27-20001C	COIL-SMD		

Loc. No.	Code No.	Description	Specification	Remarks
L105	2703-001778	INDUCTOR-SMD	"3.3UH,20%,3.2X2.5X2.2MM"	
L107	BN27-20001A	COIL-CHOKE		
L108	2703-001778	INDUCTOR-SMD	"3.3UH,20%,3.2X2.5X2.2MM"	
L109	2703-001334	INDUCTOR-SMD	"1.5uH,10%,2x1.25x0.85mm"	
L110	2703-001334	INDUCTOR-SMD	"1.5uH,10%,2x1.25x0.85mm"	
L111	2703-001778	INDUCTOR-SMD	"3.3UH,20%,3.2X2.5X2.2MM"	
L112	2703-001334	INDUCTOR-SMD	"1.5uH,10%,2x1.25x0.85mm"	
L113	2703-001334	INDUCTOR-SMD	"1.5uH,10%,2x1.25x0.85mm"	
L114	2703-001334	INDUCTOR-SMD	"1.5uH,10%,2x1.25x0.85mm"	
L115	2703-001334	INDUCTOR-SMD	"1.5uH,10%,2x1.25x0.85mm"	
L116	2703-001334	INDUCTOR-SMD	"1.5uH,10%,2x1.25x0.85mm"	
L117	2703-001334	INDUCTOR-SMD	"1.5uH,10%,2x1.25x0.85mm"	
L119	2703-001334	INDUCTOR-SMD	"1.5uH,10%,2x1.25x0.85mm"	
L120	2703-001334	INDUCTOR-SMD	"1.5uH,10%,2x1.25x0.85mm"	
L121	2703-001778	INDUCTOR-SMD	"3.3UH,20%,3.2X2.5X2.2MM"	
L122	2703-001334	INDUCTOR-SMD	"1.5uH,10%,2x1.25x0.85mm"	
L123	2703-001334	INDUCTOR-SMD	"1.5uH,10%,2x1.25x0.85mm"	
L124	2703-001334	INDUCTOR-SMD	"1.5uH,10%,2x1.25x0.85mm"	
L125	2703-001334	INDUCTOR-SMD	"1.5uH,10%,2x1.25x0.85mm"	
L126	2703-001334	INDUCTOR-SMD	"1.5uH,10%,2x1.25x0.85mm"	
L127	2703-001070	INDUCTOR-SMD	"100uH,10%,4.5x3.2x3.2mm"	
L129	2703-001070	INDUCTOR-SMD	"100uH,10%,4.5x3.2x3.2mm"	
L201	2703-001070	INDUCTOR-SMD	"100uH,10%,4.5x3.2x3.2mm"	
L202	2703-001334	INDUCTOR-SMD	"1.5uH,10%,2x1.25x0.85mm"	
L203	2703-001334	INDUCTOR-SMD	"1.5uH,10%,2x1.25x0.85mm"	
L204	2703-001334	INDUCTOR-SMD	"1.5uH,10%,2x1.25x0.85mm"	
L205	2703-001334	INDUCTOR-SMD	"1.5uH,10%,2x1.25x0.85mm"	
L206	2703-001334	INDUCTOR-SMD	"1.5uH,10%,2x1.25x0.85mm"	
L207	2703-001334	INDUCTOR-SMD	"1.5uH,10%,2x1.25x0.85mm"	
L401	2703-001778	INDUCTOR-SMD	"3.3UH,20%,3.2X2.5X2.2MM"	
L402	2703-001778	INDUCTOR-SMD	"3.3UH,20%,3.2X2.5X2.2MM"	
L603	2703-001778	INDUCTOR-SMD	"3.3UH,20%,3.2X2.5X2.2MM"	
MP1.0	BN41-00031A	PCB-MAIN	"DV18MST,-,-,223*118.9,1.6 T"	
Q101	0505-001170	FET-SILICON	"SI9933ADY-T1,P,-20V,3.4A,0.075OHM,2W,SO-8"	
Q102	0501-002080	TR-SMALL SIGNAL	"2SC2412K,NPN,200mW,SOT-23,TP,1"	
Q103	0501-002080	TR-SMALL SIGNAL	"2SC2412K,NPN,200mW,SOT-23,TP,1"	
Q105	0501-002080	TR-SMALL SIGNAL	"2SC2412K,NPN,200mW,SOT-23,TP,1"	
Q501	0501-002080	TR-SMALL SIGNAL	"2SC2412K,NPN,200mW,SOT-23,TP,1"	
Q502	0501-002080	TR-SMALL SIGNAL	"2SC2412K,NPN,200mW,SOT-23,TP,1"	
Q503	0501-002080	TR-SMALL SIGNAL	"2SC2412K,NPN,200mW,SOT-23,TP,1"	
R101	2007-000084	R-CHIP	"4.7Kohm,5%,1/16W,DA,TP,1608"	
R102	2007-000102	R-CHIP	"100Kohm,5%,1/16W,DA,TP,1608"	
R103	2007-000090	R-CHIP	"10Kohm,5%,1/16W,DA,TP,1608"	
R104	2007-000102	R-CHIP	"100Kohm,5%,1/16W,DA,TP,1608"	
R105	2007-000090	R-CHIP	"10Kohm,5%,1/16W,DA,TP,1608"	
R106	2007-000084	R-CHIP	"4.7Kohm,5%,1/16W,DA,TP,1608"	
R107	2007-000102	R-CHIP	"100Kohm,5%,1/16W,DA,TP,1608"	

Loc. No.	Code No.	Description	Specification	Remarks
R108	2007-000090	R-CHIP	"10Kohm,5%,1/16W,DA,TP,1608"	
R201	2007-000113	R-CHIP	"33ohm,5%,1/16W,DA,TP,1608"	
R202	2007-000113	R-CHIP	"33ohm,5%,1/16W,DA,TP,1608"	
R203	2007-001167	R-CHIP	"75ohm,5%,1/16W,DA,TP,1608"	
R204	2007-000113	R-CHIP	"33ohm,5%,1/16W,DA,TP,1608"	
R205	2007-001167	R-CHIP	"75ohm,5%,1/16W,DA,TP,1608"	
R206	2007-000107	R-CHIP	"470Kohm,5%,1/16W,DA,TP,1608"	
R207	2007-001167	R-CHIP	"75ohm,5%,1/16W,DA,TP,1608"	
R208	2007-000113	R-CHIP	"33ohm,5%,1/16W,DA,TP,1608"	
R209	2007-001167	R-CHIP	"75ohm,5%,1/16W,DA,TP,1608"	
R211	2007-001167	R-CHIP	"75ohm,5%,1/16W,DA,TP,1608"	
R212	2007-001167	R-CHIP	"75ohm,5%,1/16W,DA,TP,1608"	
R214	2007-000074	R-CHIP	"100ohm,5%,1/16W,DA,TP,1608"	
R215	2007-001167	R-CHIP	"75ohm,5%,1/16W,DA,TP,1608"	
R216	2007-000113	R-CHIP	"33ohm,5%,1/16W,DA,TP,1608"	
R217	2007-001167	R-CHIP	"75ohm,5%,1/16W,DA,TP,1608"	
R218	2007-000113	R-CHIP	"33ohm,5%,1/16W,DA,TP,1608"	
R219	2007-001167	R-CHIP	"75ohm,5%,1/16W,DA,TP,1608"	
R227	2007-000116	R-CHIP	"120ohm,5%,1/16W,DA,TP,1608"	
R229	2007-001114	R-CHIP	"680Kohm,5%,1/16W,DA,TP,1608"	
R233	2007-000070	R-CHIP	"0ohm,5%,1/16W,DA,TP,1608"	
R234	2007-000070	R-CHIP	"0ohm,5%,1/16W,DA,TP,1608"	
R237	2007-000074	R-CHIP	"100ohm,5%,1/16W,DA,TP,1608"	
R238	2007-000074	R-CHIP	"100ohm,5%,1/16W,DA,TP,1608"	
R240	2007-000118	R-CHIP	"390ohm,5%,1/16W,DA,TP,1608"	
R241	2007-000070	R-CHIP	"0ohm,5%,1/16W,DA,TP,1608"	
R242	2007-000118	R-CHIP	"390ohm,5%,1/16W,DA,TP,1608"	
R247	2007-000118	R-CHIP	"390ohm,5%,1/16W,DA,TP,1608"	
R249	2007-000118	R-CHIP	"390ohm,5%,1/16W,DA,TP,1608"	
R250	2007-000070	R-CHIP	"0ohm,5%,1/16W,DA,TP,1608"	
R255	2007-000074	R-CHIP	"100ohm,5%,1/16W,DA,TP,1608"	
R256	2007-000080	R-CHIP	"2Kohm,5%,1/16W,DA,TP,1608"	
R257	2007-000080	R-CHIP	"2Kohm,5%,1/16W,DA,TP,1608"	
R258	2007-000090	R-CHIP	"10Kohm,5%,1/16W,DA,TP,1608"	
R259	2007-000090	R-CHIP	"10Kohm,5%,1/16W,DA,TP,1608"	
R260	2007-000074	R-CHIP	"100ohm,5%,1/16W,DA,TP,1608"	
R261	2007-000074	R-CHIP	"100ohm,5%,1/16W,DA,TP,1608"	
R263	2007-000070	R-CHIP	"0ohm,5%,1/16W,DA,TP,1608"	
R265	2007-000113	R-CHIP	"33ohm,5%,1/16W,DA,TP,1608"	
R301	2007-000239	R-CHIP	"1.5Kohm,1%,1/16W,DA,TP,1608"	
R302	2007-000118	R-CHIP	"390ohm,5%,1/16W,DA,TP,1608"	
R303	2007-000118	R-CHIP	"390ohm,5%,1/16W,DA,TP,1608"	
R304	2007-000071	R-CHIP	"22ohm,5%,1/16W,DA,TP,1608"	
R305	2007-000071	R-CHIP	"22ohm,5%,1/16W,DA,TP,1608"	
R306	2007-000071	R-CHIP	"22ohm,5%,1/16W,DA,TP,1608"	
R307	2007-000090	R-CHIP	"10Kohm,5%,1/16W,DA,TP,1608"	
R310	2007-000071	R-CHIP	"22ohm,5%,1/16W,DA,TP,1608"	

Loc. No.	Code No.	Description	Specification	Remarks
R311	2007-000071	R-CHIP	"22ohm,5%,1/16W,DA,TP,1608"	
R312	2007-000080	R-CHIP	"2Kohm,5%,1/16W,DA,TP,1608"	
R313	2007-000080	R-CHIP	"2Kohm,5%,1/16W,DA,TP,1608"	
R316	2007-000090	R-CHIP	"10Kohm,5%,1/16W,DA,TP,1608"	
R317	2007-000090	R-CHIP	"10Kohm,5%,1/16W,DA,TP,1608"	
R343	2007-000090	R-CHIP	"10Kohm,5%,1/16W,DA,TP,1608"	
R401	2007-000074	R-CHIP	"100ohm,5%,1/16W,DA,TP,1608"	
R402	2007-000090	R-CHIP	"10Kohm,5%,1/16W,DA,TP,1608"	
R403	2007-000074	R-CHIP	"100ohm,5%,1/16W,DA,TP,1608"	
R404	2007-000071	R-CHIP	"22ohm,5%,1/16W,DA,TP,1608"	
R405	2007-000084	R-CHIP	"4.7Kohm,5%,1/16W,DA,TP,1608"	
R406	2007-001002	R-CHIP	"510ohm,5%,1/16W,DA,TP,1608"	
R407	2007-001002	R-CHIP	"510ohm,5%,1/16W,DA,TP,1608"	
R408	2007-001002	R-CHIP	"510ohm,5%,1/16W,DA,TP,1608"	
R409	2007-000084	R-CHIP	"4.7Kohm,5%,1/16W,DA,TP,1608"	
R410	2007-000084	R-CHIP	"4.7Kohm,5%,1/16W,DA,TP,1608"	
R411	2007-000071	R-CHIP	"22ohm,5%,1/16W,DA,TP,1608"	
R412	2007-000084	R-CHIP	"4.7Kohm,5%,1/16W,DA,TP,1608"	
R413	2007-000084	R-CHIP	"4.7Kohm,5%,1/16W,DA,TP,1608"	
R414	2007-000084	R-CHIP	"4.7Kohm,5%,1/16W,DA,TP,1608"	
R415	2007-000074	R-CHIP	"100ohm,5%,1/16W,DA,TP,1608"	
R416	2007-000074	R-CHIP	"100ohm,5%,1/16W,DA,TP,1608"	
R417	2007-000074	R-CHIP	"100ohm,5%,1/16W,DA,TP,1608"	
R418	2007-000074	R-CHIP	"100ohm,5%,1/16W,DA,TP,1608"	
R419	2007-000071	R-CHIP	"22ohm,5%,1/16W,DA,TP,1608"	
R421	2007-000109	R-CHIP	"1Mohm,5%,1/16W,DA,TP,1608"	
R422	2007-000074	R-CHIP	"100ohm,5%,1/16W,DA,TP,1608"	
R427	2007-000071	R-CHIP	"22ohm,5%,1/16W,DA,TP,1608"	
R430	2007-000070	R-CHIP	"0ohm,5%,1/16W,DA,TP,1608"	
R501	2007-000090	R-CHIP	"10Kohm,5%,1/16W,DA,TP,1608"	
R502	2007-000074	R-CHIP	"100ohm,5%,1/16W,DA,TP,1608"	
R503	2007-000074	R-CHIP	"100ohm,5%,1/16W,DA,TP,1608"	
R504	2007-000074	R-CHIP	"100ohm,5%,1/16W,DA,TP,1608"	
R505	2007-000074	R-CHIP	"100ohm,5%,1/16W,DA,TP,1608"	
R506	2007-000074	R-CHIP	"100ohm,5%,1/16W,DA,TP,1608"	
R507	2007-000074	R-CHIP	"100ohm,5%,1/16W,DA,TP,1608"	
R508	2007-000074	R-CHIP	"100ohm,5%,1/16W,DA,TP,1608"	
R509	2007-000074	R-CHIP	"100ohm,5%,1/16W,DA,TP,1608"	
R510	2007-000084	R-CHIP	"4.7Kohm,5%,1/16W,DA,TP,1608"	
R511	2007-000084	R-CHIP	"4.7Kohm,5%,1/16W,DA,TP,1608"	
R512	2007-000084	R-CHIP	"4.7Kohm,5%,1/16W,DA,TP,1608"	
R513	2007-000084	R-CHIP	"4.7Kohm,5%,1/16W,DA,TP,1608"	
R514	2007-000078	R-CHIP	"1Kohm,5%,1/16W,DA,TP,1608"	
R515	2007-000074	R-CHIP	"100ohm,5%,1/16W,DA,TP,1608"	
R516	2007-000074	R-CHIP	"100ohm,5%,1/16W,DA,TP,1608"	
R517	2007-000074	R-CHIP	"100ohm,5%,1/16W,DA,TP,1608"	
R518	2007-000084	R-CHIP	"4.7Kohm,5%,1/16W,DA,TP,1608"	

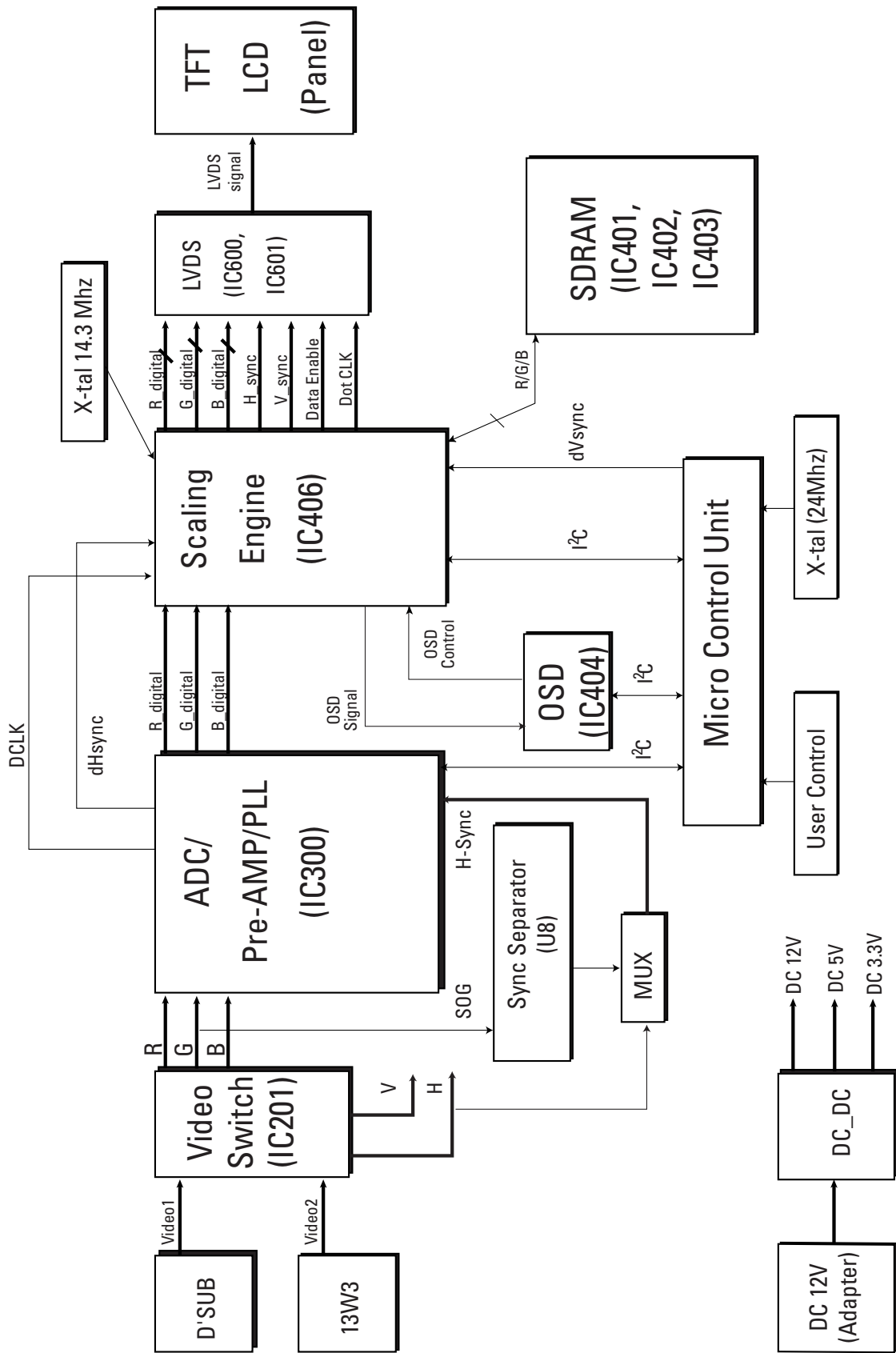


Loc. No.	Code No.	Description	Specification	Remarks
R519	2007-000074	R-CHIP	"100ohm,5%,1/16W,DA,TP,1608"	
R520	2007-000084	R-CHIP	"4.7Kohm,5%,1/16W,DA,TP,1608"	
R521	2007-000084	R-CHIP	"4.7Kohm,5%,1/16W,DA,TP,1608"	
R522	2007-000084	R-CHIP	"4.7Kohm,5%,1/16W,DA,TP,1608"	
R523	2007-000084	R-CHIP	"4.7Kohm,5%,1/16W,DA,TP,1608"	
R524	2007-000074	R-CHIP	"100ohm,5%,1/16W,DA,TP,1608"	
R525	2007-000077	R-CHIP	"470ohm,5%,1/16W,DA,TP,1608"	
R526	2007-000074	R-CHIP	"100ohm,5%,1/16W,DA,TP,1608"	
R527	2007-000076	R-CHIP	"330ohm,5%,1/16W,DA,TP,1608"	
R528	2007-000077	R-CHIP	"470ohm,5%,1/16W,DA,TP,1608"	
R529	2007-000074	R-CHIP	"100ohm,5%,1/16W,DA,TP,1608"	
R530	2007-000076	R-CHIP	"330ohm,5%,1/16W,DA,TP,1608"	
R531	2007-000078	R-CHIP	"1Kohm,5%,1/16W,DA,TP,1608"	
R532	2007-000074	R-CHIP	"100ohm,5%,1/16W,DA,TP,1608"	
R533	2007-000074	R-CHIP	"100ohm,5%,1/16W,DA,TP,1608"	
R534	2007-000077	R-CHIP	"470ohm,5%,1/16W,DA,TP,1608"	
R535	2007-000078	R-CHIP	"1Kohm,5%,1/16W,DA,TP,1608"	
R536	2007-000074	R-CHIP	"100ohm,5%,1/16W,DA,TP,1608"	
R537	2007-000074	R-CHIP	"100ohm,5%,1/16W,DA,TP,1608"	
R538	2007-000074	R-CHIP	"100ohm,5%,1/16W,DA,TP,1608"	
R539	2007-000074	R-CHIP	"100ohm,5%,1/16W,DA,TP,1608"	
R540	2007-000092	R-CHIP	"15Kohm,5%,1/16W,DA,TP,1608"	
R541	2007-000092	R-CHIP	"15Kohm,5%,1/16W,DA,TP,1608"	
R542	2007-000074	R-CHIP	"100ohm,5%,1/16W,DA,TP,1608"	
R543	2007-000074	R-CHIP	"100ohm,5%,1/16W,DA,TP,1608"	
R544	2007-000074	R-CHIP	"100ohm,5%,1/16W,DA,TP,1608"	
R545	2007-000074	R-CHIP	"100ohm,5%,1/16W,DA,TP,1608"	
R546	2007-000074	R-CHIP	"100ohm,5%,1/16W,DA,TP,1608"	
R547	2007-000074	R-CHIP	"100ohm,5%,1/16W,DA,TP,1608"	
R548	2007-000109	R-CHIP	"1Mohm,5%,1/16W,DA,TP,1608"	
R549	2007-000075	R-CHIP	"220ohm,5%,1/16W,DA,TP,1608"	
R550	2007-000078	R-CHIP	"1Kohm,5%,1/16W,DA,TP,1608"	
R551	2007-000077	R-CHIP	"470ohm,5%,1/16W,DA,TP,1608"	
R552	2007-000074	R-CHIP	"100ohm,5%,1/16W,DA,TP,1608"	
R553	2007-000084	R-CHIP	"4.7Kohm,5%,1/16W,DA,TP,1608"	
R554	2007-000084	R-CHIP	"4.7Kohm,5%,1/16W,DA,TP,1608"	
R555	2007-000074	R-CHIP	"100ohm,5%,1/16W,DA,TP,1608"	
R556	2007-000074	R-CHIP	"100ohm,5%,1/16W,DA,TP,1608"	
R557	2007-000071	R-CHIP	"22ohm,5%,1/16W,DA,TP,1608"	
R558	2007-000102	R-CHIP	"100Kohm,5%,1/16W,DA,TP,1608"	
R560	2007-000077	R-CHIP	"470ohm,5%,1/16W,DA,TP,1608"	
R561	2007-000077	R-CHIP	"470ohm,5%,1/16W,DA,TP,1608"	
R601	2007-000070	R-CHIP	"0ohm,5%,1/16W,DA,TP,1608"	
R602	2007-000084	R-CHIP	"4.7Kohm,5%,1/16W,DA,TP,1608"	
R603	2007-000070	R-CHIP	"0ohm,5%,1/16W,DA,TP,1608"	
R604	2007-000084	R-CHIP	"4.7Kohm,5%,1/16W,DA,TP,1608"	
R605	2007-000070	R-CHIP	"0ohm,5%,1/16W,DA,TP,1608"	

Loc. No.	Code No.	Description	Specification	Remarks
R606	2007-000084	R-CHIP	"4.7Kohm,5%,1/16W,DA,TP,1608"	
R607	2007-000074	R-CHIP	"100ohm,5%,1/16W,DA,TP,1608"	
R609	2007-000072	R-CHIP	"47ohm,5%,1/16W,DA,TP,1608"	
R610	2007-000072	R-CHIP	"47ohm,5%,1/16W,DA,TP,1608"	
R611	2007-000072	R-CHIP	"47ohm,5%,1/16W,DA,TP,1608"	
R612	2007-000072	R-CHIP	"47ohm,5%,1/16W,DA,TP,1608"	
R613	2007-000072	R-CHIP	"47ohm,5%,1/16W,DA,TP,1608"	
R614	2007-000072	R-CHIP	"47ohm,5%,1/16W,DA,TP,1608"	
R615	2007-000072	R-CHIP	"47ohm,5%,1/16W,DA,TP,1608"	
R616	2007-000072	R-CHIP	"47ohm,5%,1/16W,DA,TP,1608"	
R617	2007-000072	R-CHIP	"47ohm,5%,1/16W,DA,TP,1608"	
R618	2007-000072	R-CHIP	"47ohm,5%,1/16W,DA,TP,1608"	
R619	2007-000072	R-CHIP	"47ohm,5%,1/16W,DA,TP,1608"	
R620	2007-000072	R-CHIP	"47ohm,5%,1/16W,DA,TP,1608"	
R621	2007-000072	R-CHIP	"47ohm,5%,1/16W,DA,TP,1608"	
R622	2007-000072	R-CHIP	"47ohm,5%,1/16W,DA,TP,1608"	
R623	2007-000072	R-CHIP	"47ohm,5%,1/16W,DA,TP,1608"	
R624	2007-000072	R-CHIP	"47ohm,5%,1/16W,DA,TP,1608"	
R625	2007-000072	R-CHIP	"47ohm,5%,1/16W,DA,TP,1608"	
R626	2007-000072	R-CHIP	"47ohm,5%,1/16W,DA,TP,1608"	
R627	2007-000072	R-CHIP	"47ohm,5%,1/16W,DA,TP,1608"	
R628	2007-000072	R-CHIP	"47ohm,5%,1/16W,DA,TP,1608"	
R630	2007-000458	R-CHIP	"18Kohm,5%,1/16W,DA,TP,1608"	
R631	2007-000092	R-CHIP	"15Kohm,5%,1/16W,DA,TP,1608"	
RA301	2011-000002	R-NETWORK	"22ohm,5%,63mW,L,CHIP,8P,TP"	
RA302	2011-000002	R-NETWORK	"22ohm,5%,63mW,L,CHIP,8P,TP"	
RA303	2011-000002	R-NETWORK	"22ohm,5%,63mW,L,CHIP,8P,TP"	
RA304	2011-000002	R-NETWORK	"22ohm,5%,63mW,L,CHIP,8P,TP"	
RA305	2011-000002	R-NETWORK	"22ohm,5%,63mW,L,CHIP,8P,TP"	
RA306	2011-000002	R-NETWORK	"22ohm,5%,63mW,L,CHIP,8P,TP"	
RA307	2011-000002	R-NETWORK	"22ohm,5%,63mW,L,CHIP,8P,TP"	
RA308	2011-000002	R-NETWORK	"22ohm,5%,63mW,L,CHIP,8P,TP"	
RA309	2011-000002	R-NETWORK	"22ohm,5%,63mW,L,CHIP,8P,TP"	
RA310	2011-000002	R-NETWORK	"22ohm,5%,63mW,L,CHIP,8P,TP"	
RA311	2011-000002	R-NETWORK	"22ohm,5%,63mW,L,CHIP,8P,TP"	
RA312	2011-000002	R-NETWORK	"22ohm,5%,63mW,L,CHIP,8P,TP"	
RA401	2011-000002	R-NETWORK	"22ohm,5%,63mW,L,CHIP,8P,TP"	
RA402	2011-000002	R-NETWORK	"22ohm,5%,63mW,L,CHIP,8P,TP"	
RA403	2011-000002	R-NETWORK	"22ohm,5%,63mW,L,CHIP,8P,TP"	
RA404	2011-000002	R-NETWORK	"22ohm,5%,63mW,L,CHIP,8P,TP"	
RA405	2011-000002	R-NETWORK	"22ohm,5%,63mW,L,CHIP,8P,TP"	
RA406	2011-000002	R-NETWORK	"22ohm,5%,63mW,L,CHIP,8P,TP"	
RA407	2011-000002	R-NETWORK	"22ohm,5%,63mW,L,CHIP,8P,TP"	
RA408	2011-000002	R-NETWORK	"22ohm,5%,63mW,L,CHIP,8P,TP"	
RA409	2011-000002	R-NETWORK	"22ohm,5%,63mW,L,CHIP,8P,TP"	
RA410	2011-000002	R-NETWORK	"22ohm,5%,63mW,L,CHIP,8P,TP"	
RA411	2011-000002	R-NETWORK	"22ohm,5%,63mW,L,CHIP,8P,TP"	

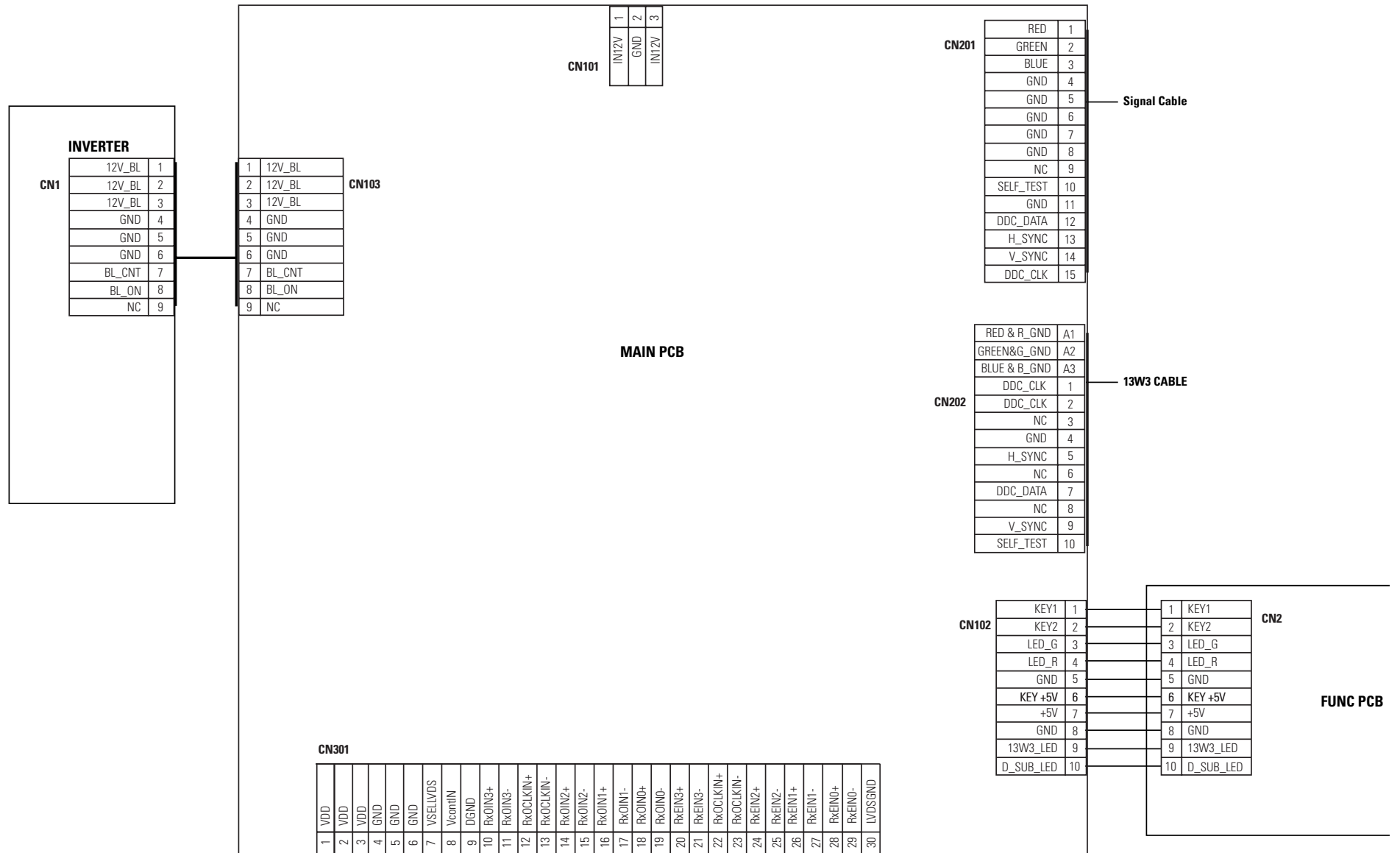
Loc. No.	Code No.	Description	Specification	Remarks
RA412	2011-000002	R-NETWORK	"22ohm,5%,63mW,L,CHIP,8P,TP"	
RA413	2011-000002	R-NETWORK	"22ohm,5%,63mW,L,CHIP,8P,TP"	
RA414	2011-000002	R-NETWORK	"22ohm,5%,63mW,L,CHIP,8P,TP"	
RA415	2011-000002	R-NETWORK	"22ohm,5%,63mW,L,CHIP,8P,TP"	
RA416	2011-000002	R-NETWORK	"22ohm,5%,63mW,L,CHIP,8P,TP"	
RA417	2011-000002	R-NETWORK	"22ohm,5%,63mW,L,CHIP,8P,TP"	
RA418	2011-000002	R-NETWORK	"22ohm,5%,63mW,L,CHIP,8P,TP"	
U5	2703-001778	INDUCTOR-SMD	"3.3UH,20%,3.2X2.5X2.2MM"	
U6	2203-005005	"C-CERAMIC,CHIP"	"100nF,10%,16V,X7R,TP,1608"	
U7	2901-001114	FILTER-EMI SMD	"25VDC,2.0ADC,-,100nF,3.2x1.6x1"	
U8	1204-001551	IC-VIDEO SYSTEM	"GS1881,SOIC,8P,150MIL,PLASTIC,13.2V,-,OTO+70C,TP,VIDEO SYNC SEPARATOR"	
X401	2801-003667	CRYSTAL-SMD	"14.3182MHZ,50PPM,28-AAAN,16,50OHM,TP"	
X501	2801-003326	CRYSTAL-SMD	"24MHz,30ppm,28-ABX,16pF,50ohm,"	

# 8 Block Diagram



## **Memo**

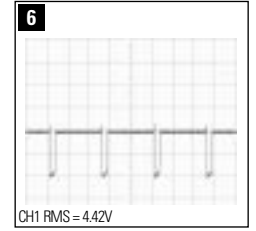
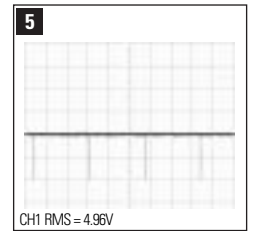
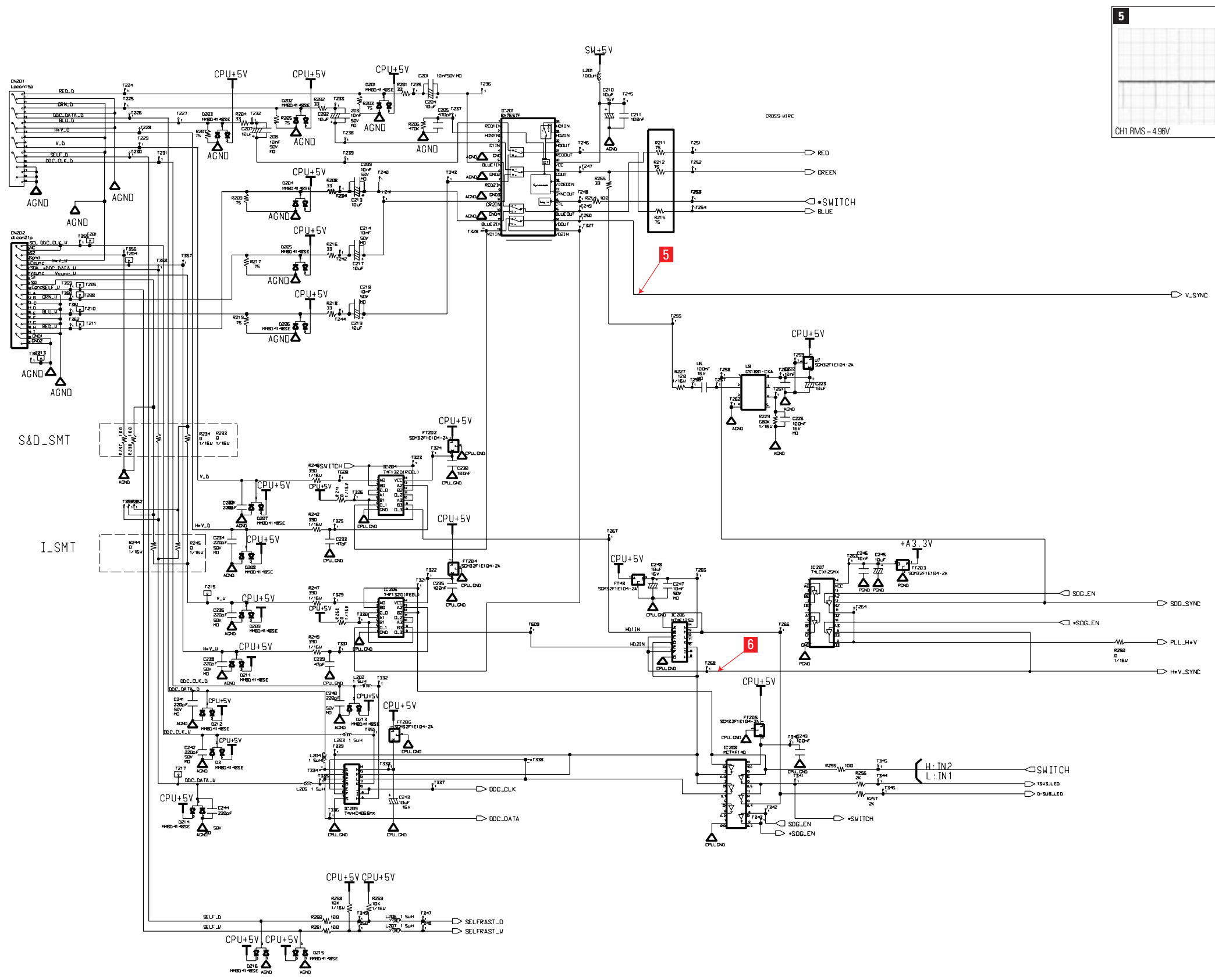
# 9 Wiring Diagram



**Memo**

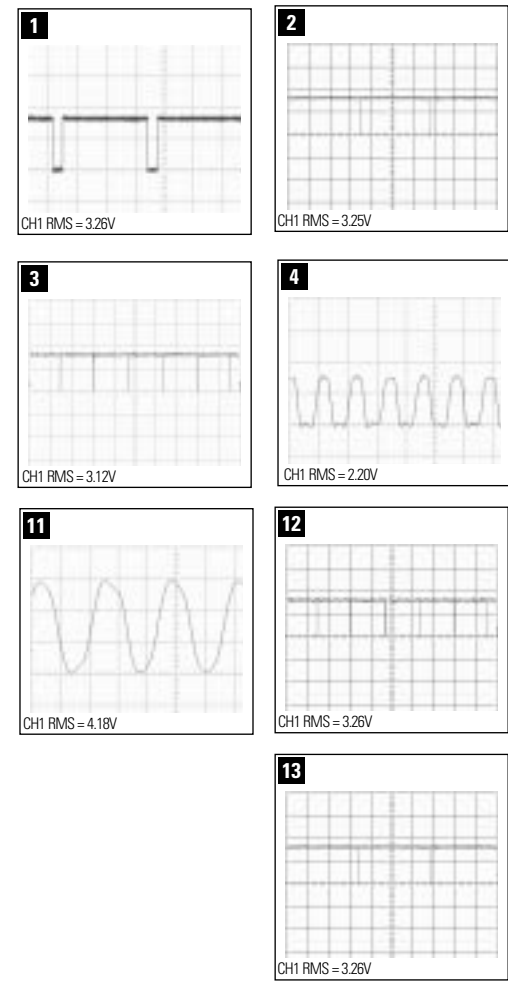
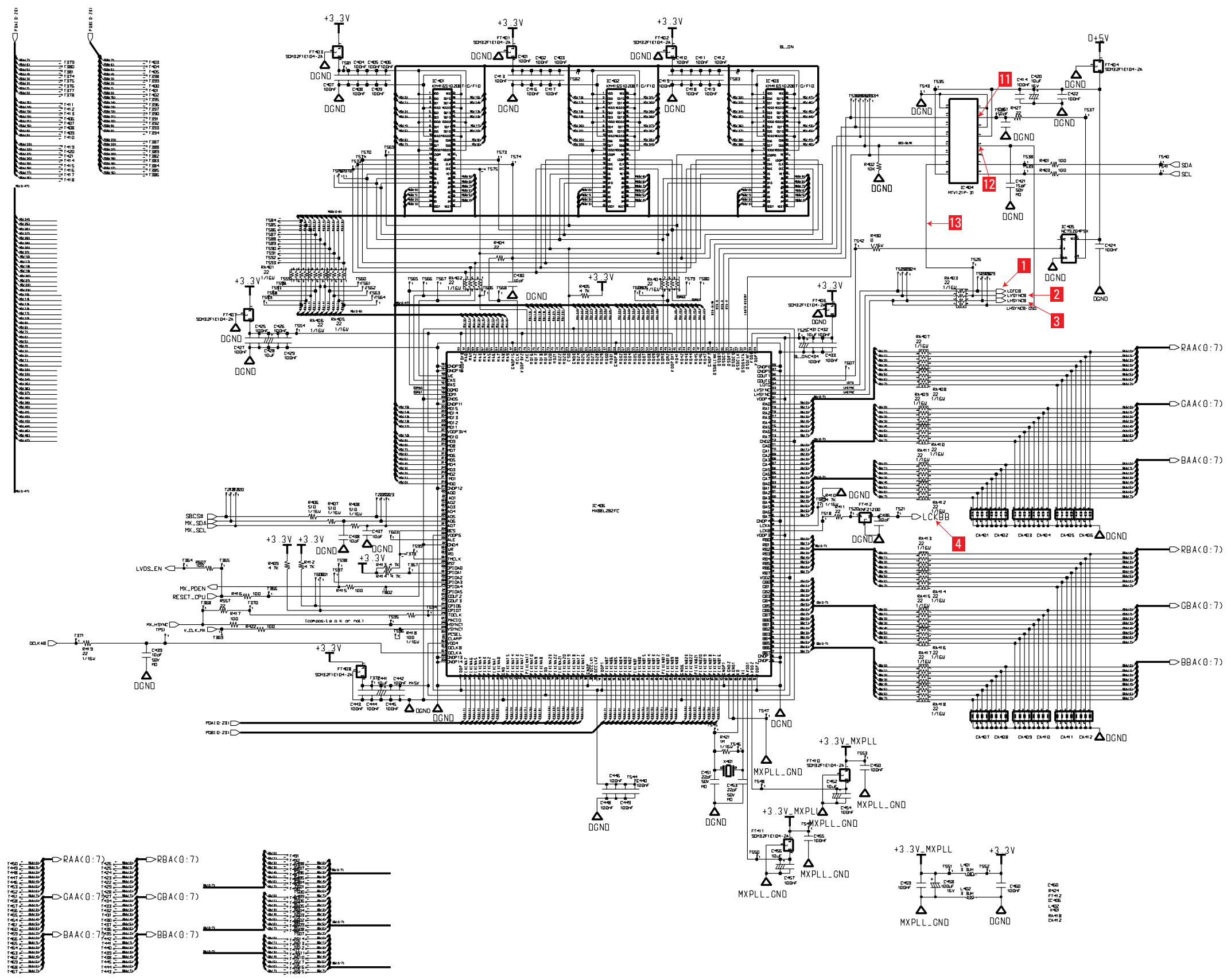
# 10 Schematic Diagrams

## 10-1 Signal input Part Schematic Diagram

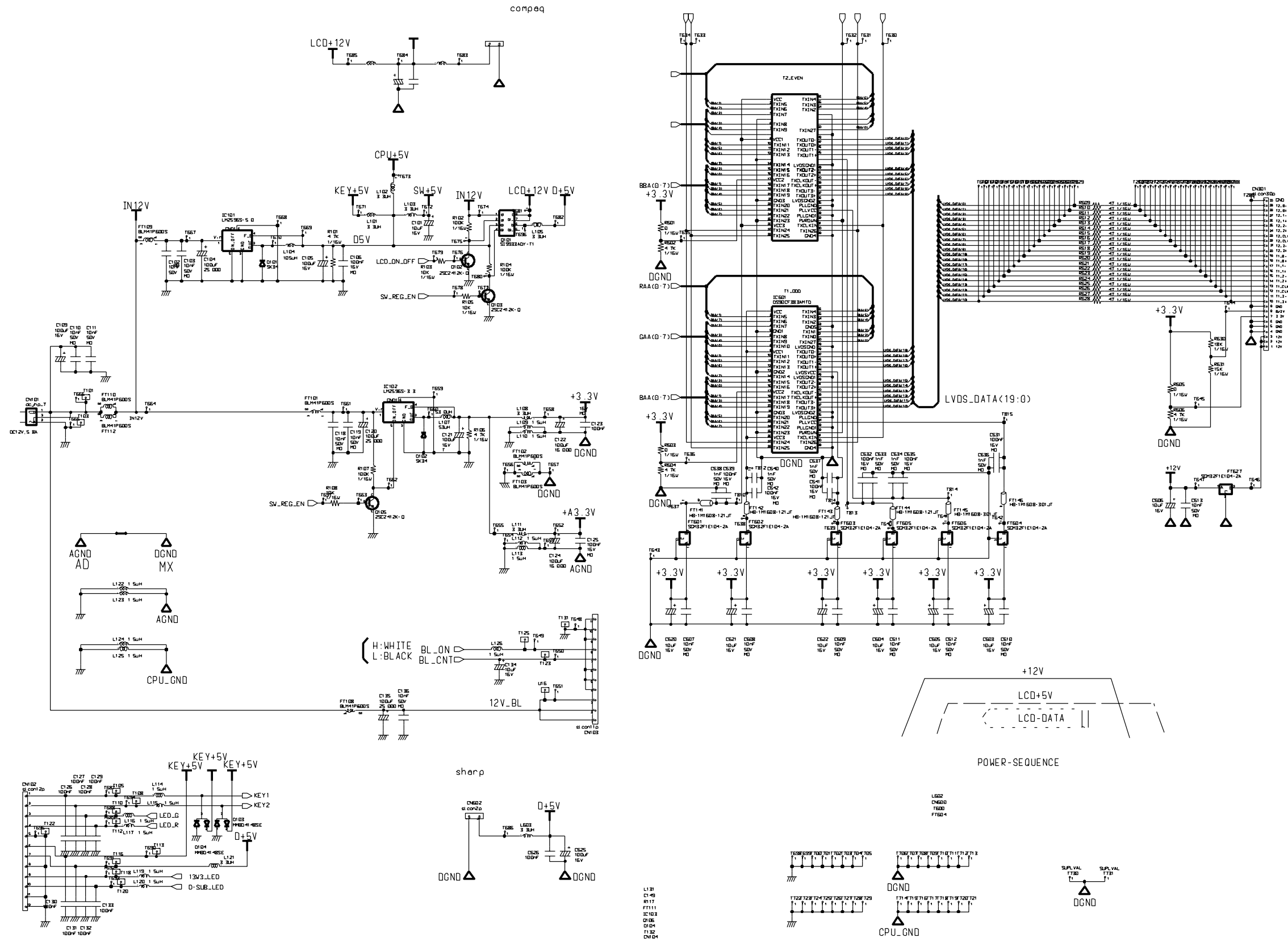




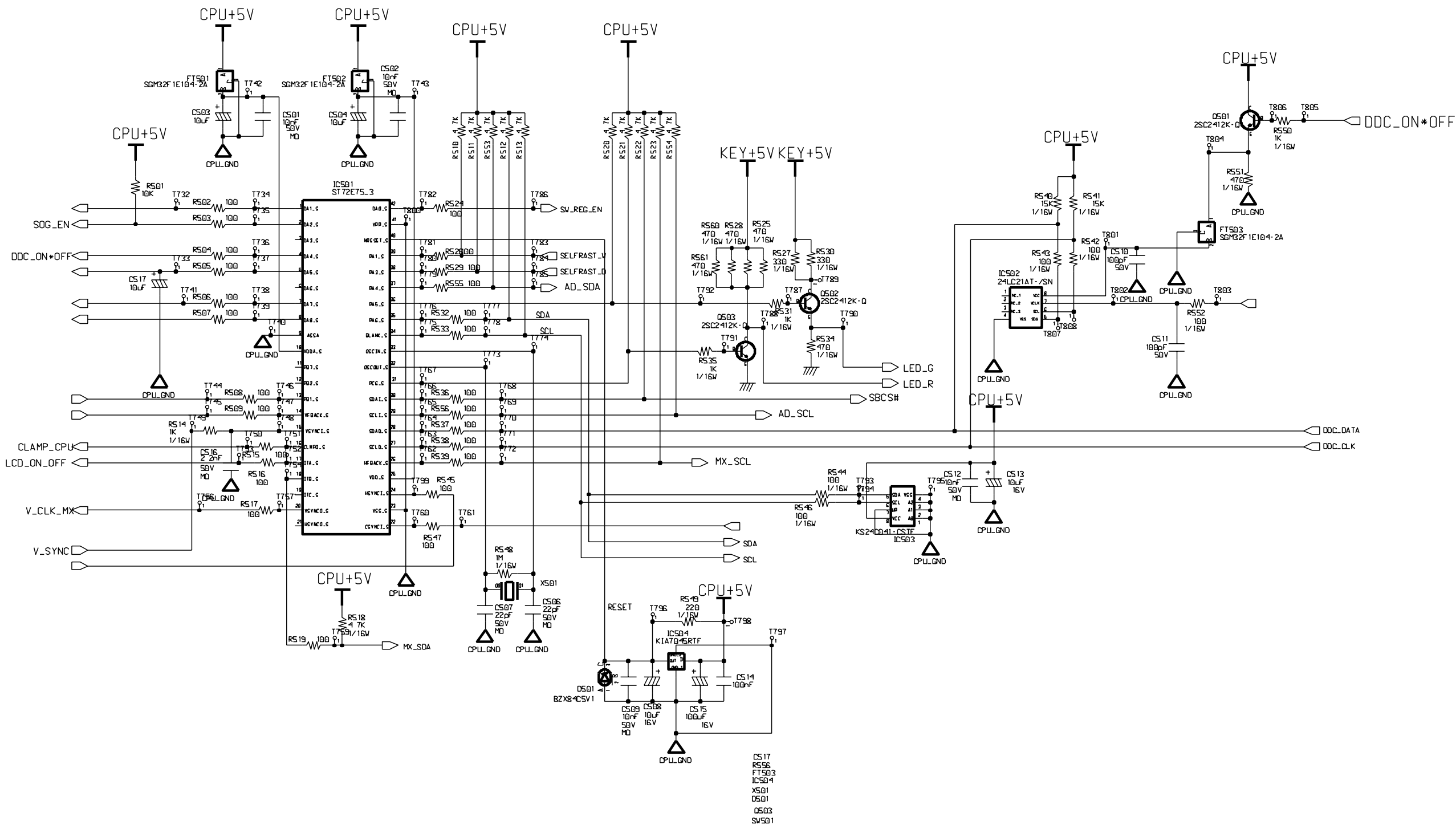
### 10-2 Scaler Chip Part Schematic Diagram



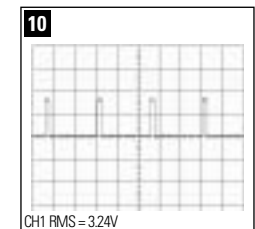
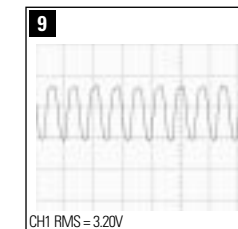
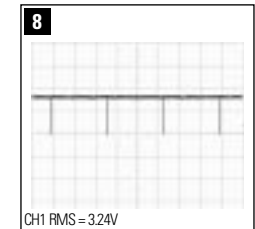
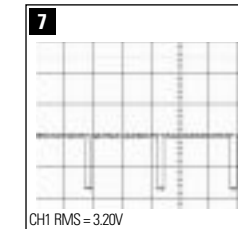
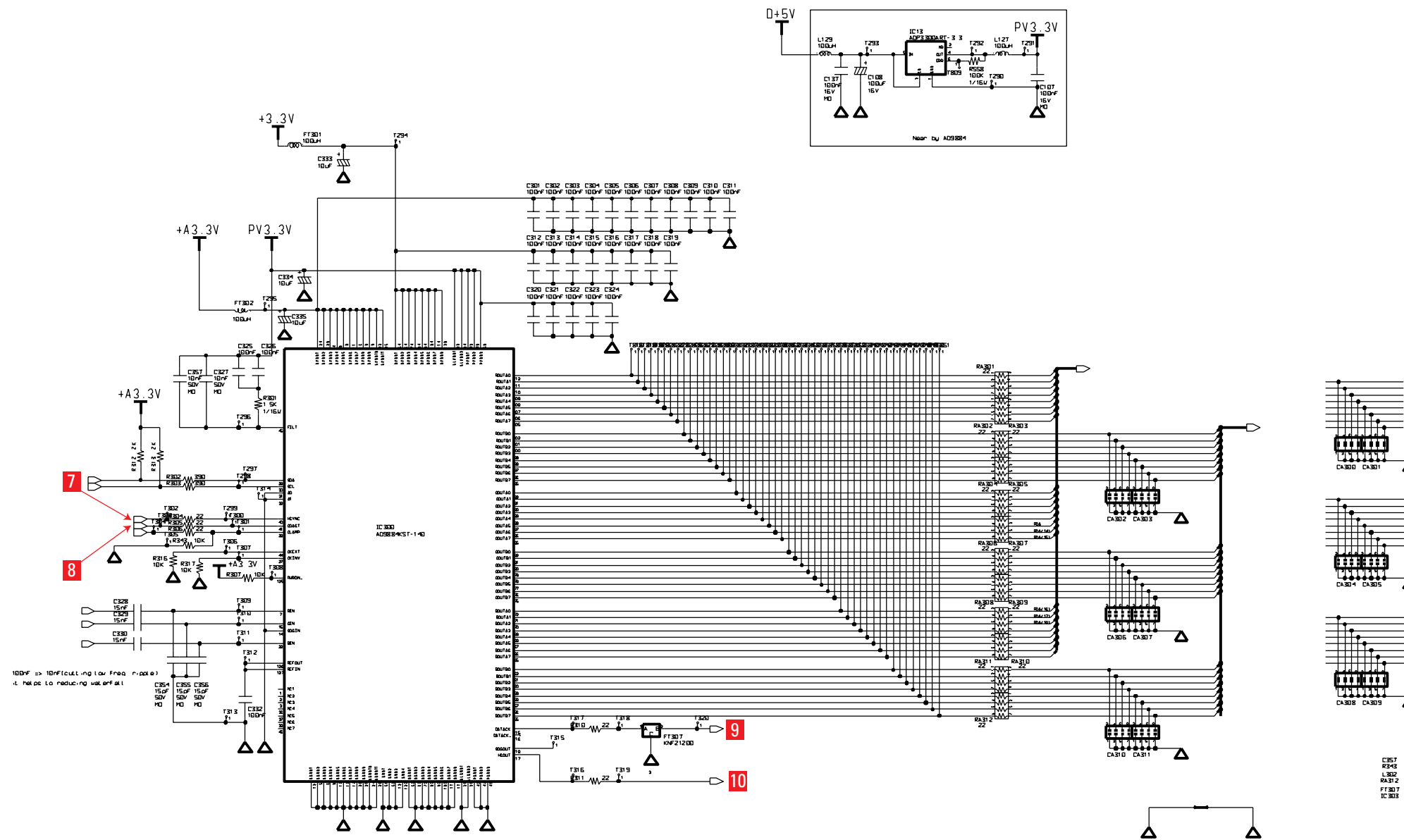
### 10-3 Power input Part & LCD panel interface part Schematic Diagram



10-4 Micom Part Schematic Diagram



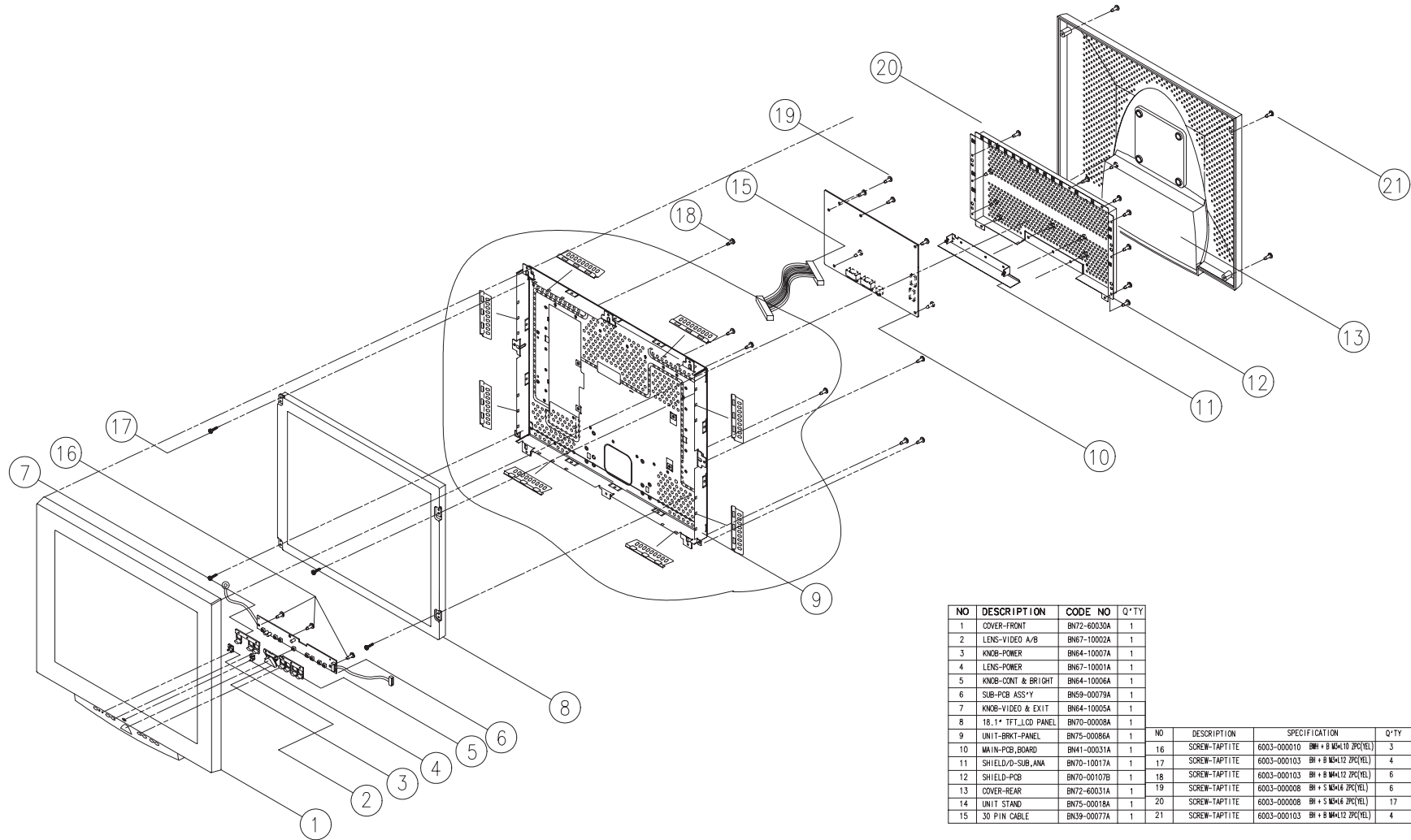
### 10-5 A/D converter Part Schematic Diagram

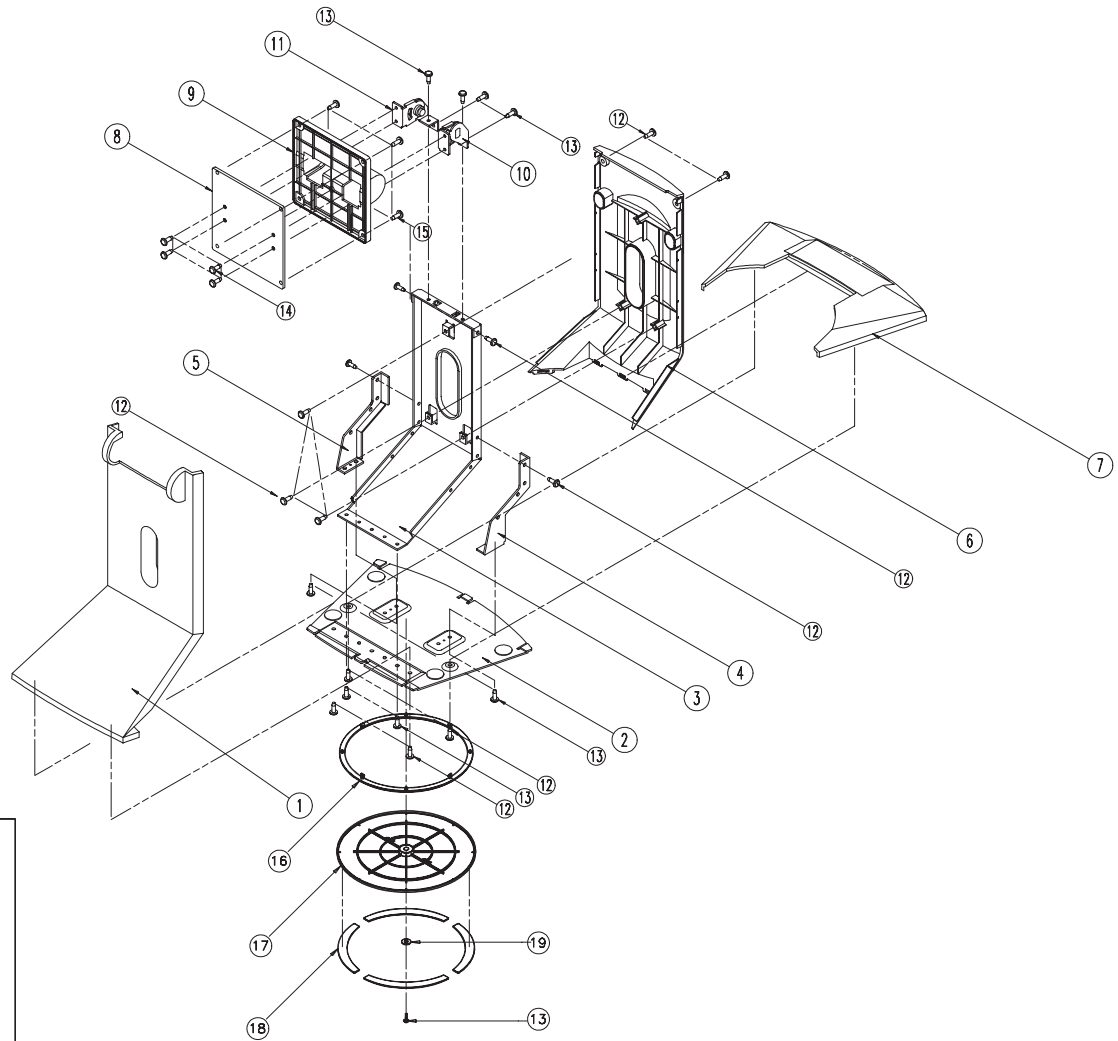
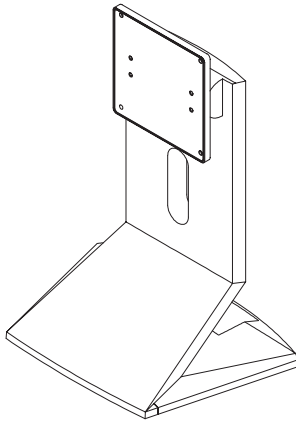




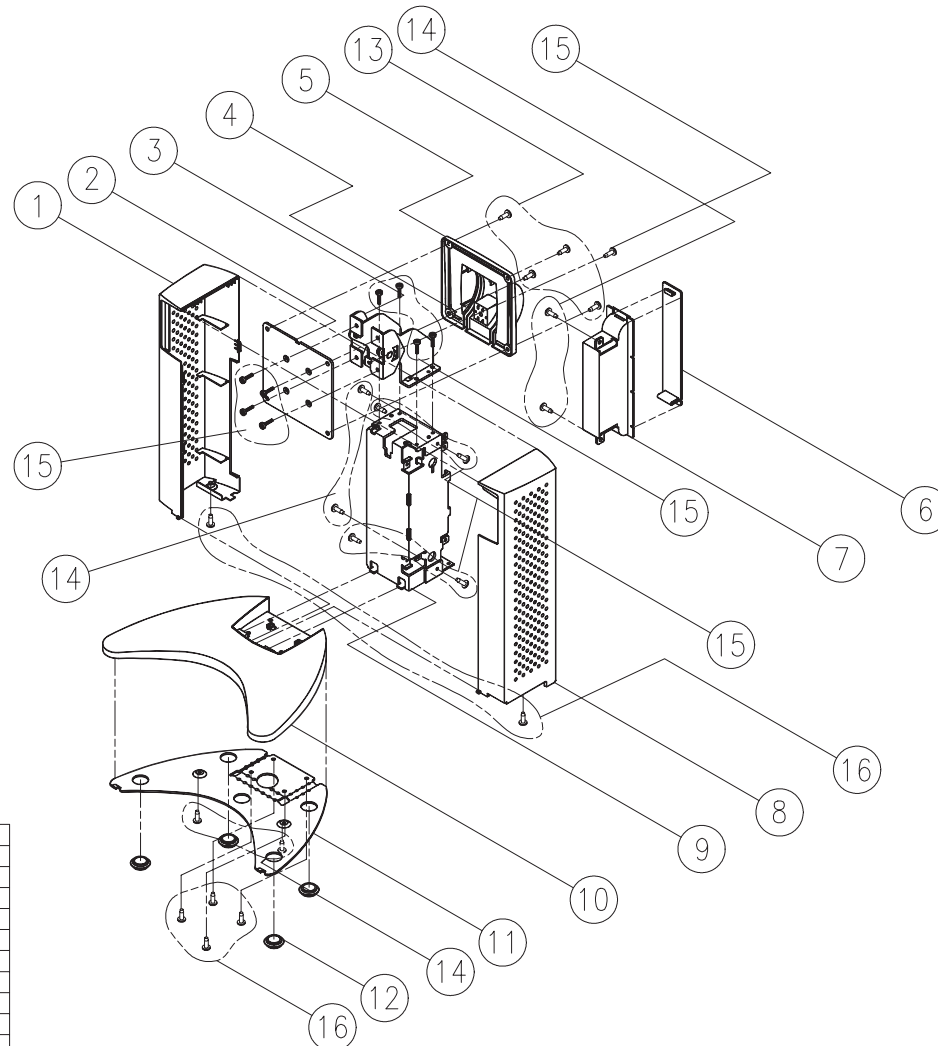
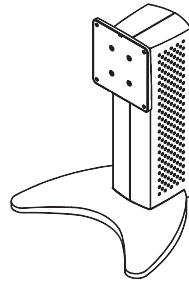
Samsung Electronics Co., Ltd. May 2000  
Printed in Korea  
P/N : BN68-00049R-01

## 6 Exploded View and Parts List





BN75-00018A	19	6031-001095	WASHER PLATE		1	
	18	BN73-40003A	RUBBER FOOT		4	
	17	BN72-00066A	STAND_BOTTOM	ABS HB IV16 (NONE, 1.5)	1	
	16	BN72-00065A	SWIVEL RING	ACETAL	1	
	15	BN60-00002A	SCREW-MACHINE	BH,+,-,L10,NL,PLT,SICH18A,M	4	
	14	6001-001157	SCREW-MACHINE	FH,+ ,M4,L10,ZPC(BLK)	4	
	13	6003-000133	SCREW-TAPTITE	BH,+ ,S,M4,L8,ZPC(YEL)	10	
	12	6003-000122	SCREW-TAPTITE	BH,+ ,B,M4,L12,ZPC(YEL)	9	
	11	BN61-00004A	HINGE-LEFT	SPOC-2D T2.5,SUS304 T2.5	1	
	10	BN61-00003A	HINGE-RIGHT	SPOC-2D T2.5,SUS304 T2.5	1	
	9	BN72-00004A	CAP-HINGE	ABS HB IV16 (NONE, 1.5)	1	
	8	BN70-00009A	BRKT-VESA	SPOC-2D T2.5	1	
	7	BN72-00003A	STAND-BASE	ABS HB IV16 (NONE, 1.5)	1	
	6	BN72-00002A	STAND-REAR	ABS HB IV16 (NONE, 1.5)	1	
	5	BN70-00013A	BRKT-GUIDE/LEFT	SECC-1 T2.0	1	
	4	BN70-00014A	BRKT-GUIDE/RIGHT	SECC-1 T2.0	1	
	3	BN70-00007A	BRKT-STAND/BODY	SECC-1 T2.0	1	
	2	BN70-00008A	BRKT-BOTTOM	SECC-1 T2.0	1	
	1	BN72-00001A	STAND-FRONT	ABS HB IV16 (NONE, 1.5)	1	
UNIT-CODE	INO.	CODE NO.	DESCRIPTION	SPECIFICATION	QTY	REMARKS



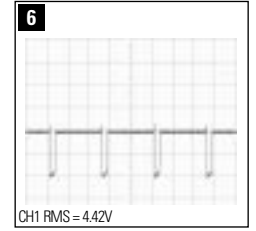
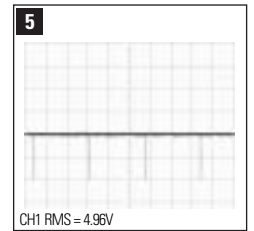
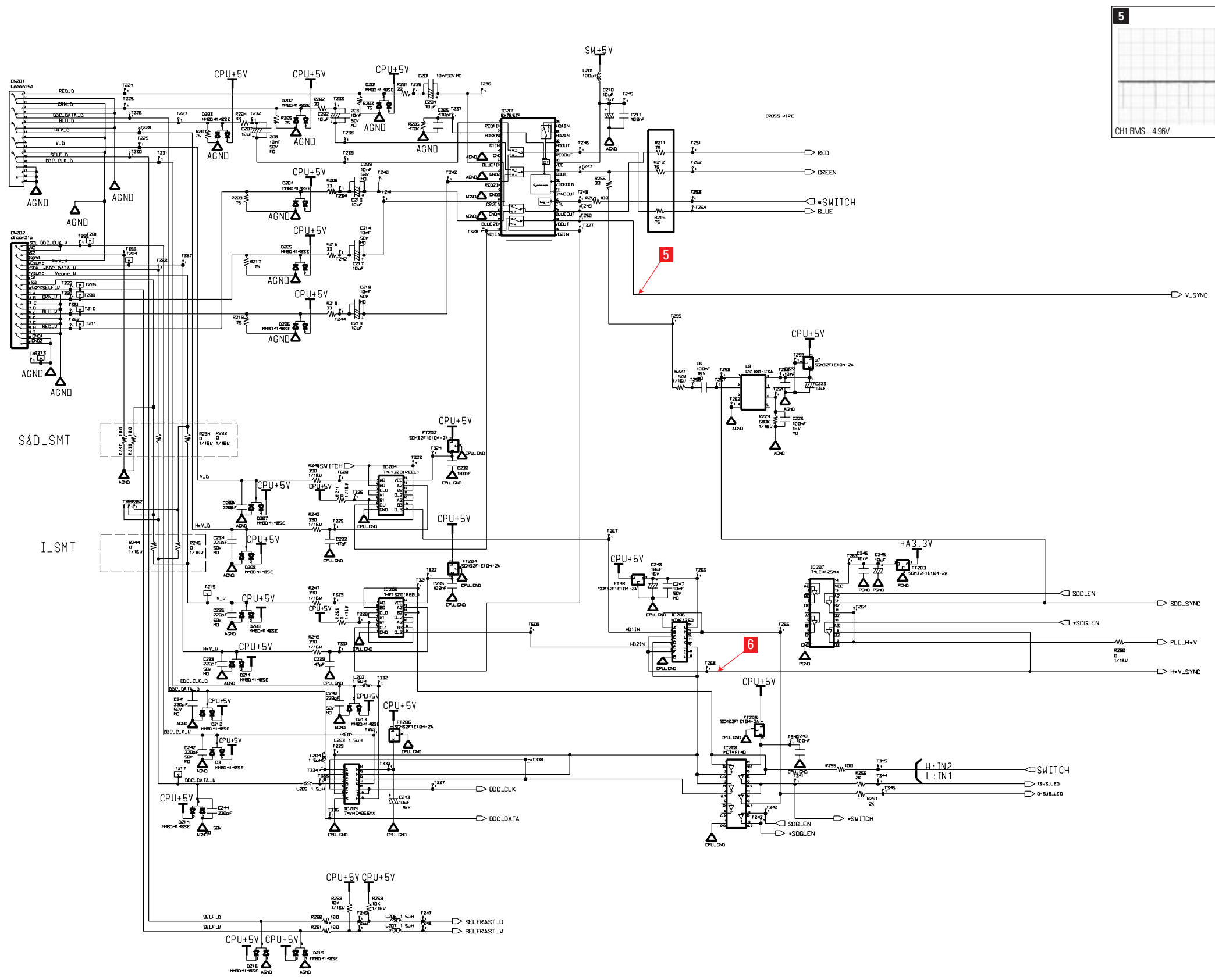
BN75-00006X	16	SCREW-TAPTITE	6003-000129	BH + S M4x1.0 ZPC(YEL)	6
	15	SCREW-TAPTITE	6003-000133	BH + S M4x1.8 ZPC(YEL)	13
	14	SCREW-TAPTITE	6003-000122	BH + B M4x1.2 ZPC(YEL)	6
	13	SCREW-MACHINE	BN69-0002A	BH + M4x1.0 ZPC(YEL)	4
	12	RUBBER FOOT	BN61-40001A	NEOPRENE 65HB, GRAY	4
	11	BRKT-STAND BASE	BN70-10029A	SPCC-2D T2.0	1
	10	STAND BASE	BN72-60035A	ABS+PC 5V, IV28	1
	9	BRKT-TOWER	BN70-10030A	SECC T2.0	1
	8	COVER TOWER RIGHT	BN72-60034A	ABS+PC 5V, PU03	1
	7	CASE-USB	BN72-60037A	ABS+PC 5V, PU03	1
	6	COVER-USB	BN72-60036A	ABS+PC 5V, PU03	1
	5	CAP HINGE	BN72-60032A	ABS+PC 5V, IV28	1
	4	ASS'Y HINGE RIGHT	BN61-80001A	SPCC-2D T2.0	1
	3	ASS'Y HINGE LEFT	BN61-80002A	SPCC-2D T2.0	1
	2	PLATE-VESA	BN70-10031A	SECC T2.0	1
	1	COVER TOWER LEFT	BN72-60033A	ABS+PC 5V, PU03	1
UNIT CODE-NO. (REMARKS)	NO	DESCRIPTION	PART CODE-NO	SPECIFICATION	Q'TY
	<b>UNIT PART LIST</b>				



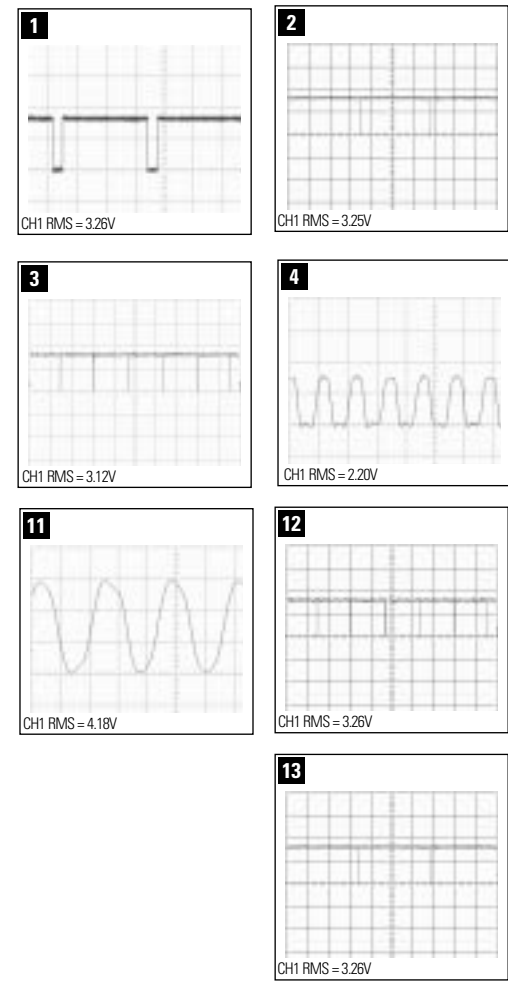
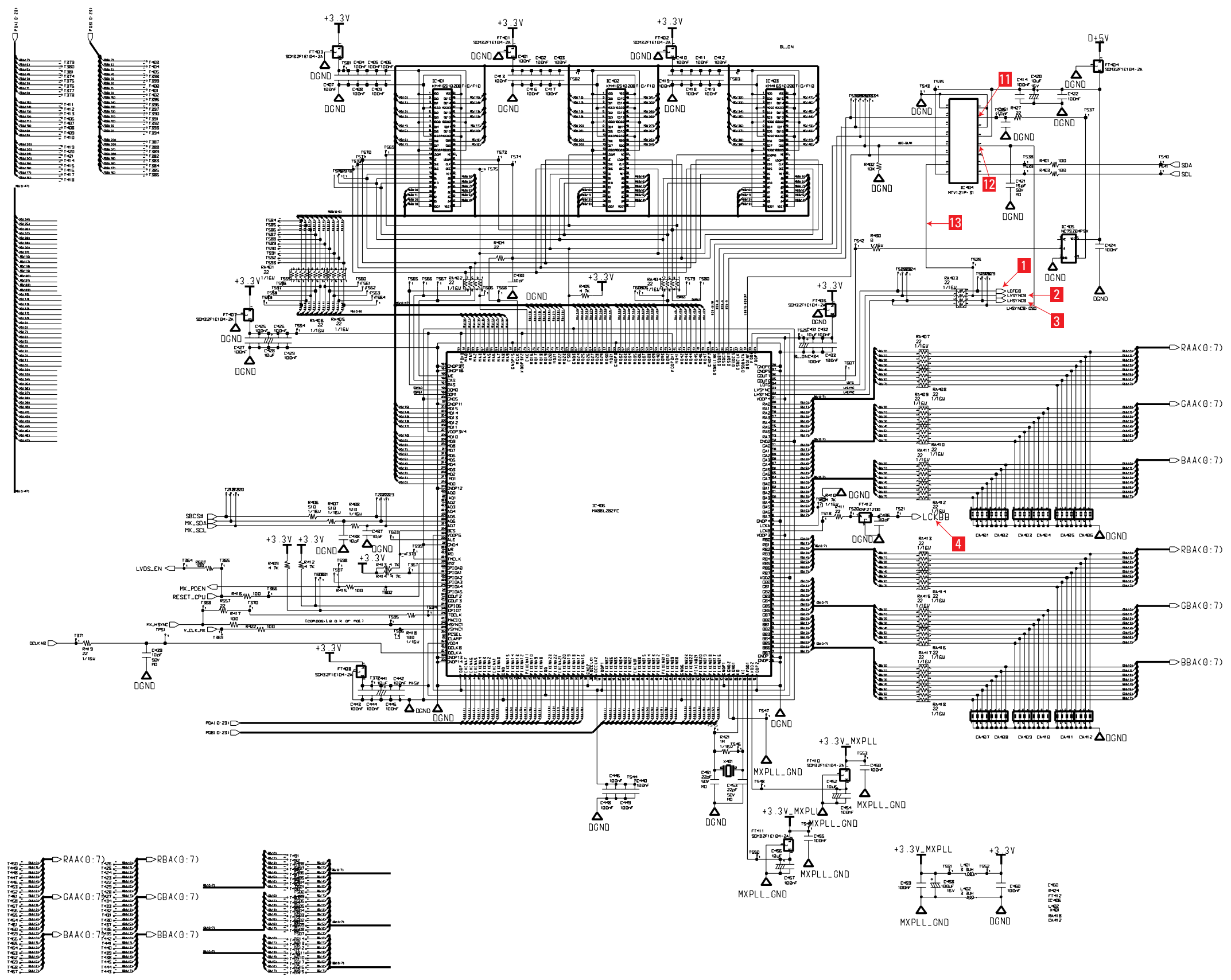
**Memo**

# 10 Schematic Diagrams

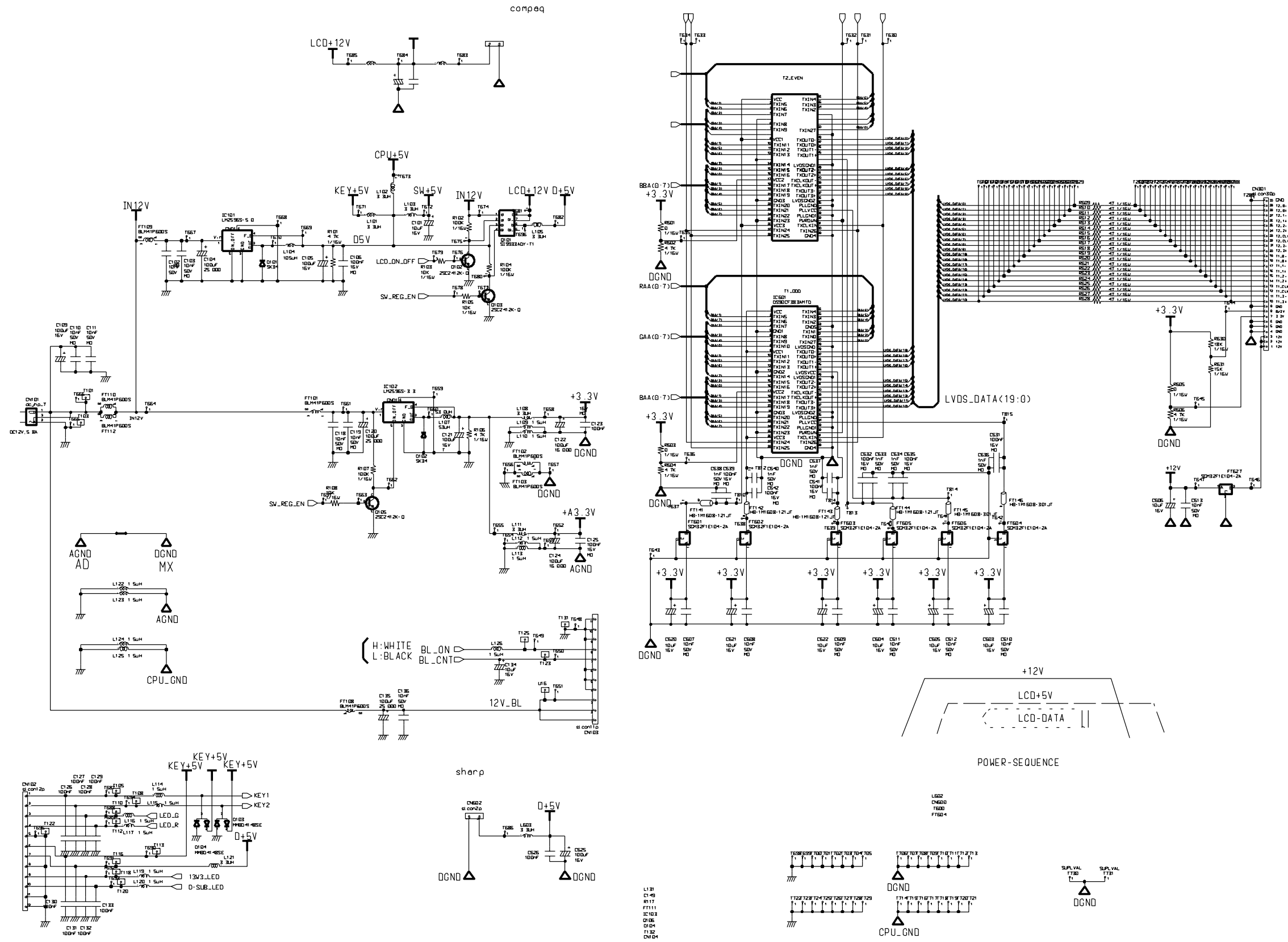
## 10-1 Signal input Part Schematic Diagram



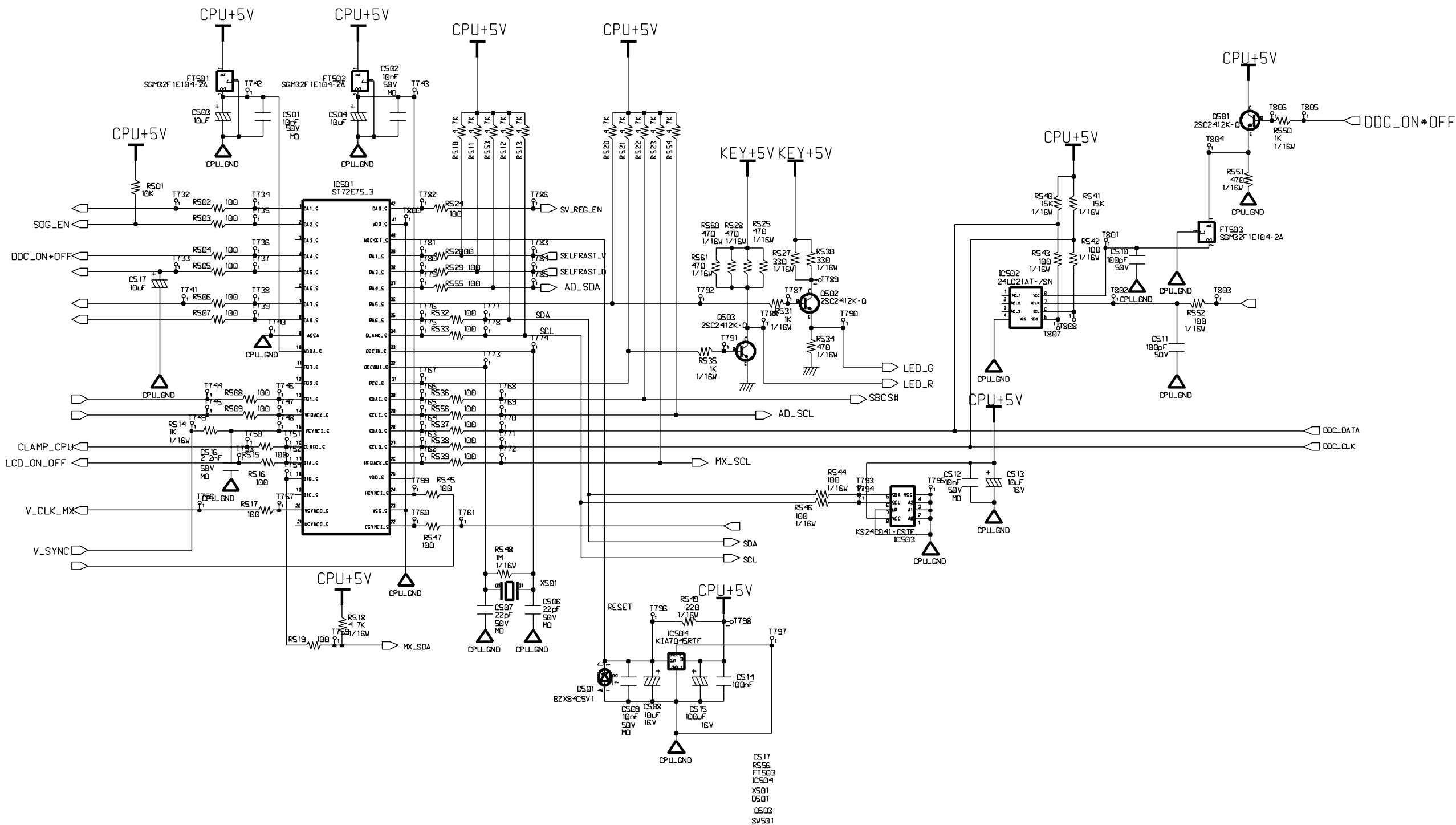
### 10-2 Scaler Chip Part Schematic Diagram



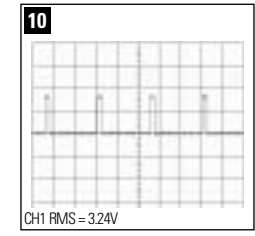
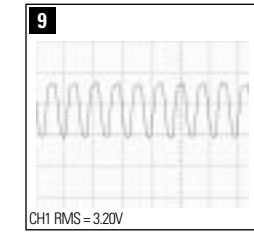
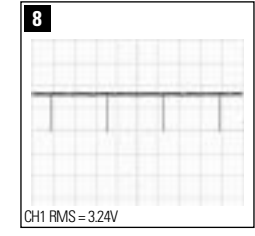
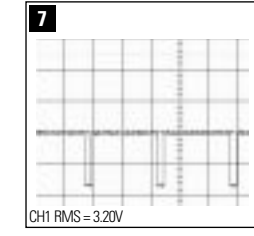
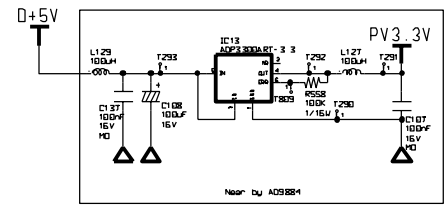
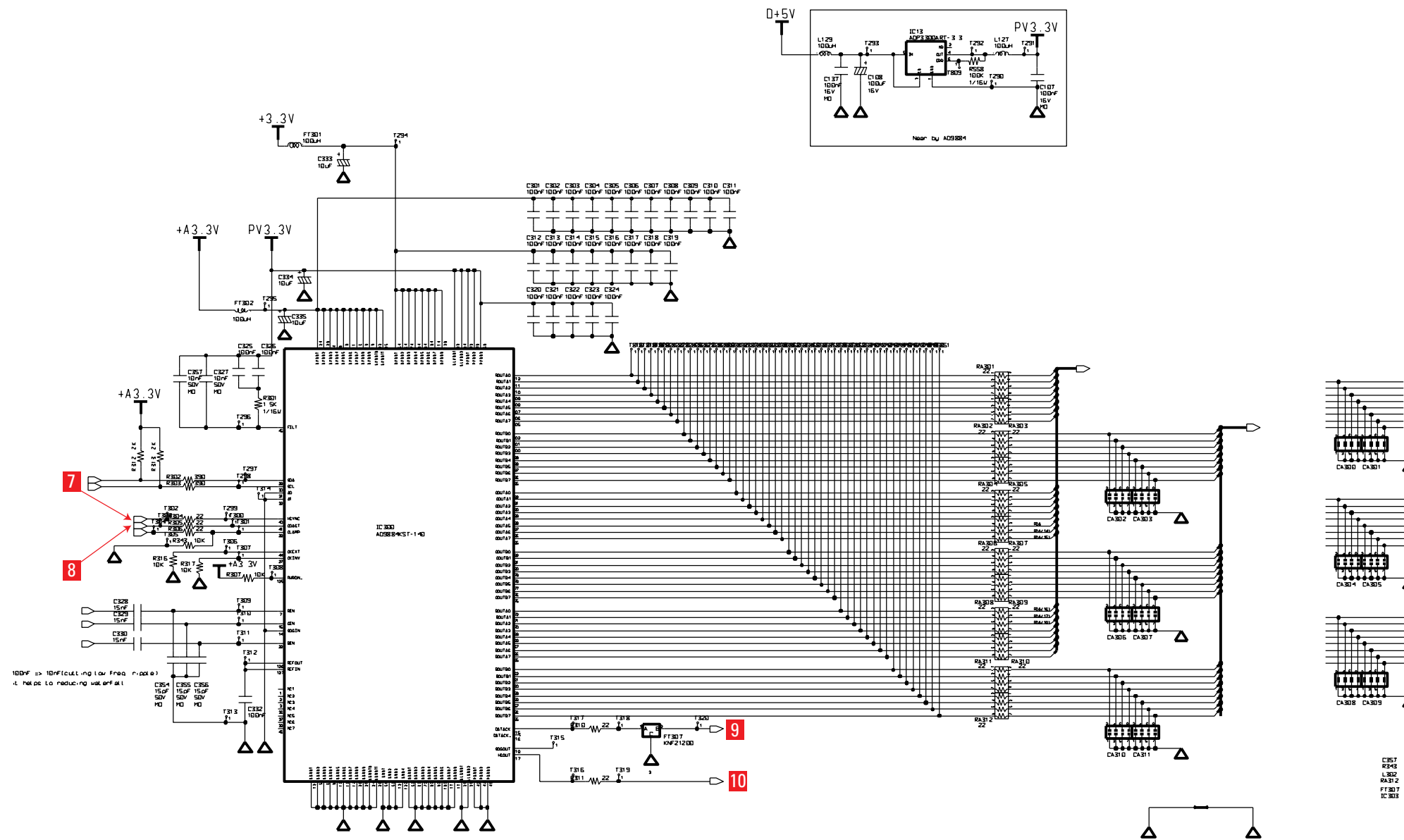
### 10-3 Power input Part & LCD panel interface part Schematic Diagram



10-4 Micom Part Schematic Diagram



### 10-5 A/D converter Part Schematic Diagram



## Free Manuals Download Website

<http://myh66.com>

<http://usermanuals.us>

<http://www.somanuals.com>

<http://www.4manuals.cc>

<http://www.manual-lib.com>

<http://www.404manual.com>

<http://www.luxmanual.com>

<http://aubethermostatmanual.com>

Golf course search by state

<http://golfingnear.com>

Email search by domain

<http://emailbydomain.com>

Auto manuals search

<http://auto.somanuals.com>

TV manuals search

<http://tv.somanuals.com>