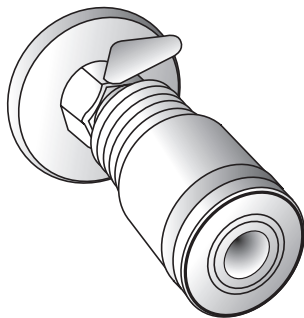


**THE
SHARPER
IMAGE®**

**Oxygenics®
Resort Spa®
Self-Pressurizing
Showerhead**

EL001 Instructions

Read and save these instructions.



Dear Sharper Image Customer,

Thank you for your purchase of a Sharper Image product. We appreciate your business very much.

Our goal is that you will be completely satisfied with this product's quality and performance. We offer generous return privileges and excellent warranties on all our products.

Since 1977, The Sharper Image has shared the fun of discovering innovative products that make life better and more enjoyable. We've been in business a long time because we are an exciting place to shop and — just as importantly — we strive to deliver outstanding customer service that exceeds your expectations.

Enjoy your purchase!

Call 1-800-344-4444 for ordering and customer service, or visit

www.sharperimage.com, *our award-winning Website.*

Download from Www.Somanuals.com. All Manuals Search And Download.

Installation Instructions

1. Remove the old showerhead. Cover the shower arm with a piece of cloth and hold vice-grip pliers securely to the shower arm, approximately one inch above the showerhead attachment nut. Using a crescent wrench, securely grip the showerhead attachment nut. Turn the crescent wrench slowly in a counterclockwise direction, maintaining a firm grip. Remove the showerhead from the shower arm. See Figure 1.
2. Thoroughly clean the threaded area of the existing shower arm using a wire brush or steel wool. See Figure 2.
3. Turn on the water and let it run for 5 to 10 seconds. The water pressure flushes out the remaining residue in the pipe. See Figure 3.

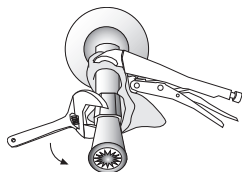


Figure 1



Figure 2



Figure 3

Installation Instructions

4. Wrap Teflon[®] tape 1½ to 3 turns clockwise around the threaded tip of the shower arm. See Figure 4.
5. Screw the new showerhead clockwise onto the taped portion of the shower arm. Place cloth inside the crescent wrench grip area and tighten slightly but securely for a snug fit. See Figure 5.

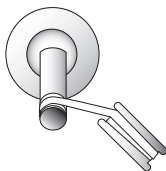


Figure 4

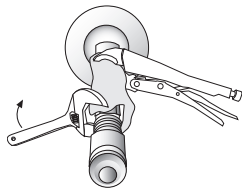
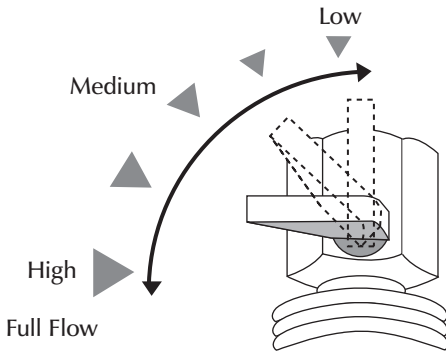


Figure 5

Operation

To adjust and fine-tune showerhead water pressure, rotate the comfort-control lever between its vertical “LOW” position and horizontal “FULL FLOW” position. Ideal water pressure is between 40-80 psi, but will flow in a range from 20 to 120 psi.

Note: The comfort control lever is NOT a shutoff valve. When turned to the lowest position, the showerhead continues to flow at $\frac{1}{2}$ to $1\frac{1}{2}$ GPM. This is a normal safety feature.



Warranty

What Is Covered

This warranty covers any defects in materials or workmanship, with the exceptions stated below.

How Long Coverage Lasts

This warranty runs for 90 days from the date of original purchase.

What Is Not Covered

This warranty does not cover damage caused by misuse or use other than as intended and described in the product instruction manual, or loss or damage to batteries or removable parts.

What The Sharper Image Will Do

The Sharper Image warrants this product against defects in materials and workmanship. When repair is not practical, The Sharper Image will have the option to replace the defective product with one that is the same or has similar functionality.

How to Obtain Service

Return the product and receipt, along with a brief explanation of the problem, to:

T.S.I. - Returns Department
2901-A West 60th Street
Little Rock, AR 72209

If you have questions please feel free to contact our customer service representatives at 1-800-344-5555 or by email at care@web.sharperimage.com.

This warranty gives you specific legal rights, and you may have other legal rights that vary from state to state.

© 2003, 2004, 2005, 2006, 2007 Sharper Image Corporation

Sharper Image Corporation
350 The Embarcadero, Sixth Floor
San Francisco, CA 94105-1218

Shop online: **www.sharperimage.com**

Actual product may differ slightly from the product described herein.

V3 02/07

Free Manuals Download Website

<http://myh66.com>

<http://usermanuals.us>

<http://www.somanuals.com>

<http://www.4manuals.cc>

<http://www.manual-lib.com>

<http://www.404manual.com>

<http://www.luxmanual.com>

<http://aubethermostatmanual.com>

Golf course search by state

<http://golfingnear.com>

Email search by domain

<http://emailbydomain.com>

Auto manuals search

<http://auto.somanuals.com>

TV manuals search

<http://tv.somanuals.com>