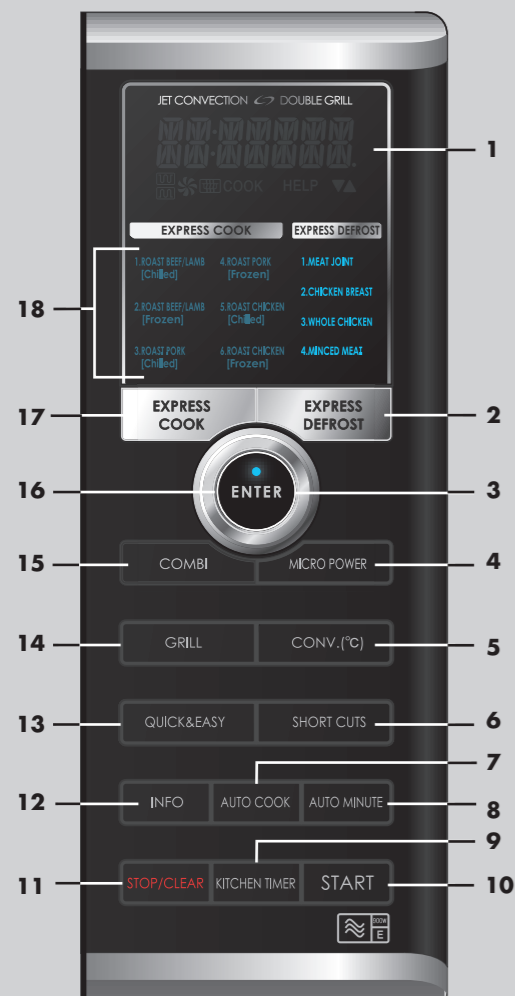


R-890SLM QUICK START GUIDE

⚠ WARNING:

Before starting, read carefully all the warnings given in the full operation manual for the safe use of your oven.



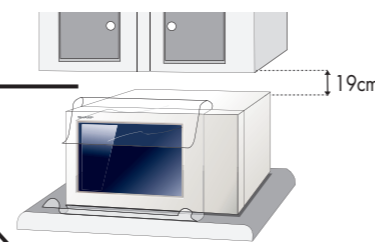
- | | |
|--|--|
| <p>1 DIGITAL DISPLAY</p> <p>2 EXPRESS DEFROST key
Press to select from 4 defrosting menus.</p> <p>3 ENTER BUTTON
Press to confirm selected menu and weight.</p> <p>4 MICROWAVE POWER key
Press to change the microwave power setting.</p> <p>5 CONVEC. (°C) key
Press to change the convection setting.</p> <p>6 SHORT CUTS key
Press to select from 5 shortcut menus.</p> <p>7 AUTO COOK key
Press to select from 10 popular menus.</p> <p>8 AUTO MINUTE key</p> <p>9 KITCHEN TIMER key</p> <p>10 START key</p> <p>11 STOP/CLEAR key</p> <p>12 INFO key</p> | <p>13 QUICK&EASY key</p> <p>14 GRILL MODE key:
1 PRESS = TOP GRILL
2 PRESSES = BOTTOM GRILL
3 PRESSES = TOP & BOTTOM GRILL</p> <p>15 COMBI MODE key:
1 PRESS = MICROWAVE & CONVECTION
2 PRESSES = MICROWAVE & TOP GRILL
3 PRESSES = MICROWAVE & BOTTOM GRILL</p> <p>16 ENTER KNOB
Rotate to enter the cooking time, kitchen timer, weight and select menu.</p> <p>17 EXPRESS COOK key
Press to select from 6 popular menus.</p> <p>18 MENUS LIST
Highlights Express Cook and Express Defrost menu options.</p> |
|--|--|

SHARP
TINS-A773WRRZ-K91

1

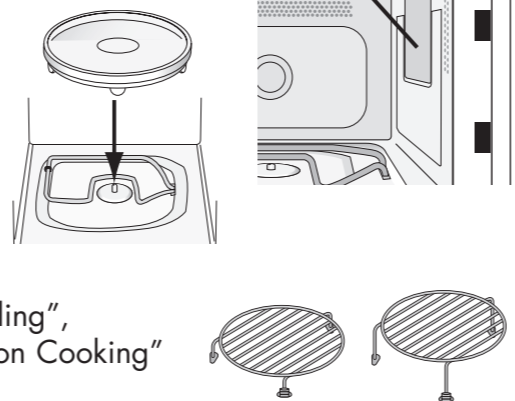
INSTALLATION

- Remove all packaging and accessories from the oven, including the feature sticker fixed to the outside of the door and the wrapping shown in the diagram. **DO NOT REMOVE THE WAVEGUIDE COVER**, this can be found on the right hand side wall inside your microwave. Please see page 4 in the operation manual.



- Ensure there is at least 19cm of free space above the oven.

- Ensure the turntable parts are assembled as shown in the diagram opposite.



Other Accessories

The racks can be used for "Grilling", "Combi Cooking" or "Convection Cooking" of food.

GETTING STARTED

2

Plug in the oven. Nothing will appear in the display at this time.

Open the door, the display will flash the message shown opposite (1).

Close the door. The display will show (2).

The oven is now ready for use.



IMPORTANT

The oven has an Energy Save mode, for details refer to page 7 of your Operation Manual.

- The oven will default to Energy Save Mode after 3 minutes if not used. Whilst in Energy Save Mode the display is blank and the oven cannot be used.
- To remove Energy Save Mode, open and then close the door, ".0" will be displayed and the oven is ready for use.

IF YOU REQUIRE ASSISTANCE

If you require any advice or assistance regarding your Sharp product, please visit our Website or call our Help Line.

Website:
www.sharp.co.uk/customersupport

Help Line:
08705 274277 (U.K.)
(01) 676 0648 (Ireland)
(office hours)

MICROWAVING

To cook for 2 minutes 30 seconds on 70% microwave power.

- Enter the cooking time by rotating the **KNOB** to 2.30 shown on the display.



- Select the power by pressing the **MICRO POWER** key twice.



- Press the **START** key once to start cooking.



- The display will count down through cooking time.

NOTE FOR REHEATING READY MEALS:

Place the ready meal in a heat-resistant flan dish on the low rack.

3

Free Manuals Download Website

<http://myh66.com>

<http://usermanuals.us>

<http://www.somanuals.com>

<http://www.4manuals.cc>

<http://www.manual-lib.com>

<http://www.404manual.com>

<http://www.luxmanual.com>

<http://aubethermostatmanual.com>

Golf course search by state

<http://golfingnear.com>

Email search by domain

<http://emailbydomain.com>

Auto manuals search

<http://auto.somanuals.com>

TV manuals search

<http://tv.somanuals.com>