

SHARP

WARRANTY

Consumer Electronic Products

Congratulations on Your Purchase!

This Sharp product is warranted against faults in materials and manufacture for a period of twelve (12) months from the date of original purchase.

If service is required during the warranty period, please contact your nearest Sharp Approved Service Centre. These repairs would be carried out at no charge to the owner, subject to the conditions specified herein.

The owner is responsible for any transportation and insurance costs if the product has to be returned for repair.

This warranty does not extend to accessories or defects or injuries caused by or resulting from causes not attributable to faulty parts or the manufacture of the product, including but not limited to, defect or injury caused by or resulting from misuse, abuse, neglect, accidental damage, improper voltage, liquid spillage, vermin infestation, software, or any alterations made to the product which are not authorised by Sharp.

Please retain your sales documentation, as this should be produced to validate a warranty claim.

This warranty is in addition to and in no way limits, varies or excludes any express and implied rights and remedies under any relevant legislation in the country of sale.

IMPORTANT

DO NOT RETURN THIS DOCUMENT TO SHARP

For your reference, please enter the particulars of your purchase below and retain, with your purchase documentation.

Model No. _____

Serial No. _____

Date of Purchase _____

Retailer _____

FOR LOCATION ENQUIRIES WITHIN

AUSTRALIA

REGARDING YOUR
LOCAL

SHARP APPROVED SERVICE CENTRE

CALL THE

SHARP SERVICE REFERRAL CENTRE

LOCAL CALL 1 300 135 022

or visit our website

www.sharp.net.au

SHARP CORPORATION OF AUSTRALIA PTY. LIMITED
ABN 40 003 039 405
1 Huntingwood Drive Blacktown NSW 2148

FOR PRODUCTS PURCHASED IN

NEW ZEALAND

CONTACT YOUR SELLING DEALER/RETAILER
OR CALL

SHARP CUSTOMER SERVICES

TELEPHONE: 09 573 0111

FACSIMILE: 09 573 0113

or contact our web site

www.sharp.net.nz

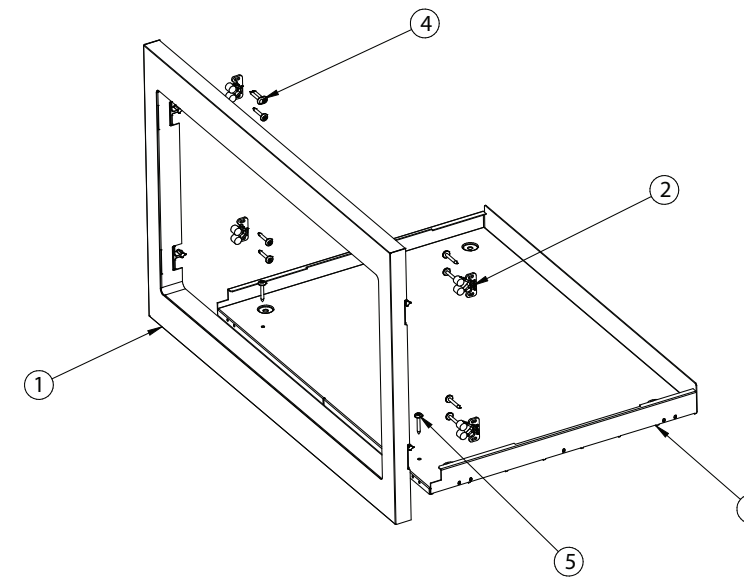
SHARP CORPORATION OF NEW ZEALAND LIMITED
59 Hugo Johnston Drive
Penrose, Auckland

IMPORTANT NOTICE: This warranty applies only to products sold in Australia & New Zealand.

SHARP MICROWAVE TRIM KIT

MODEL NO. RKJ39S

PART IDENTIFICATION SHEET



1. FASCIA ASSEMBLY
2. 4 off PLASTIC FEMALE CLIPS
3. BASE ASSEMBLY
4. 8 off 6 GAUGE SCREWS
5. 2 off BUTTON HEAD SCREWS

“The RKJ39S is designed for the R395YW and R395NS. Should you wish to use it for the R395FS please contact Sharp Customer Care Australia on 1300 135 022 (for Sharp Customer Care New Zealand contact 09 920 4147) for an alternate base”

CAUTION

1. Read and follow all of the instructions completely.
2. The Sharp Built-in Trim Kit must be installed in accordance with the full set of instructions listed and meet the regulations laid down by electrical authorities, building regulations and the requirements of state and local government authorities.
3. The microwave oven must be unplugged before installation of the Sharp Built-in Kit.
4. For safe use of the microwave oven, DO NOT modify or alter any part of this kit.
5. The kitchen cabinetry that houses the microwave oven must be constructed to allow the microwave oven to operate to Australian Standards 3350.1-2002, 60335.1, 3350.2.25-2001 and 60335.2.25.

CARE AND CLEANING

Use a mild stainless steel cleaner applied with a soft damp cloth. Wipe in the stainless steel grain direction. DO NOT USE CAUSTIC CLEANERS, ABRASIVE OR HARSH CLEANERS OR SCOURING PADS.

TRIM KIT SPECIFICATIONS

Cavity Dimensions

Internal Width	600mm
External Front Height	381mm
Depth	500mm (minimum)

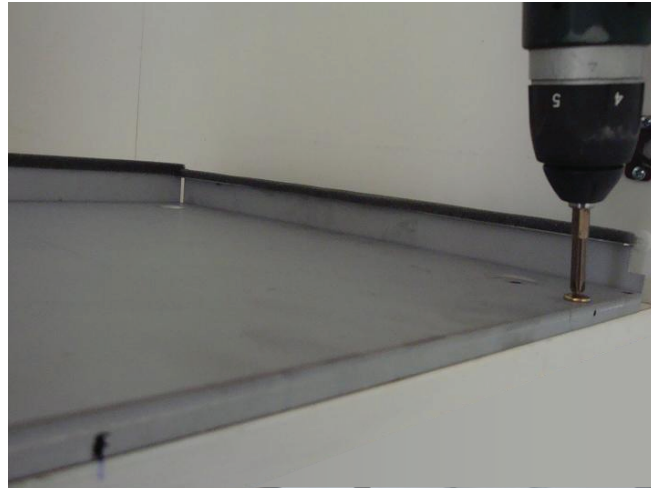
Overall Kit Dimensions;

Width	596mm
Height	380mm
Depth	22mm (Fascia)

Cabinetry Ventilation

An opening on the upper cavity panel must be cut for air circulation. This opening should be placed at the rear— minimum 600mm x 100mm.

Sharp Microwave Oven & Built in Trim Kit Installation Procedure



1. The cavity must be made to the specifications set out in Sharp's kitchen cabinetry requirements for built in microwave ovens. Mark the centre of the cabinet base panel. Sit the Base Assembly into the kitchen cabinet and align the base centre alignment cut with the centre mark you have just marked on the cabinet base. Ensure the front edge of the trim kit base is flush with the front edge of the cabinet base front edge. Use the 2 button head screws provided and screw into position.



2. Position the Fascia Assembly into position with the female clips attached correctly. Once it is in its correct position (see Cabinet Specifications in this manual), screw the female clips into position using the 6 gauge screws provided.



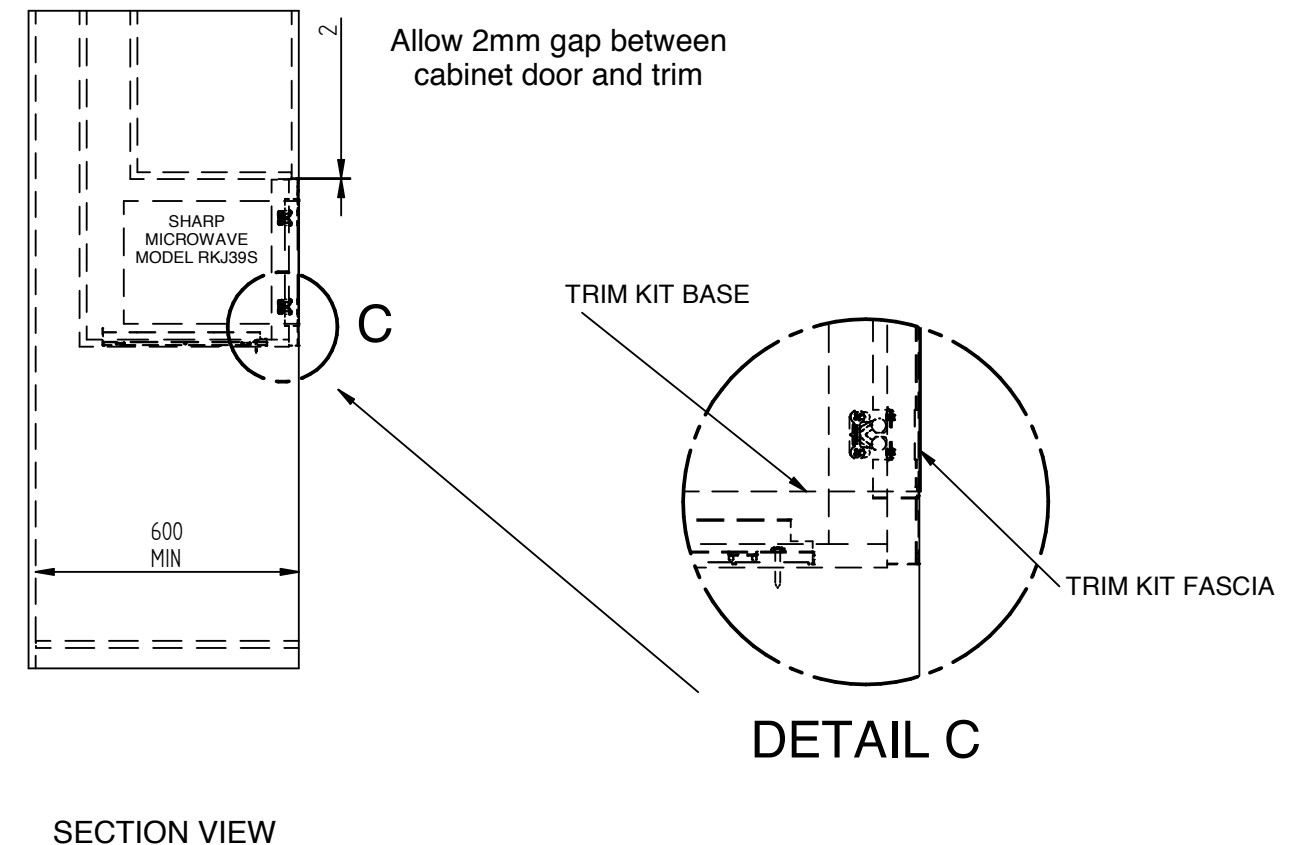
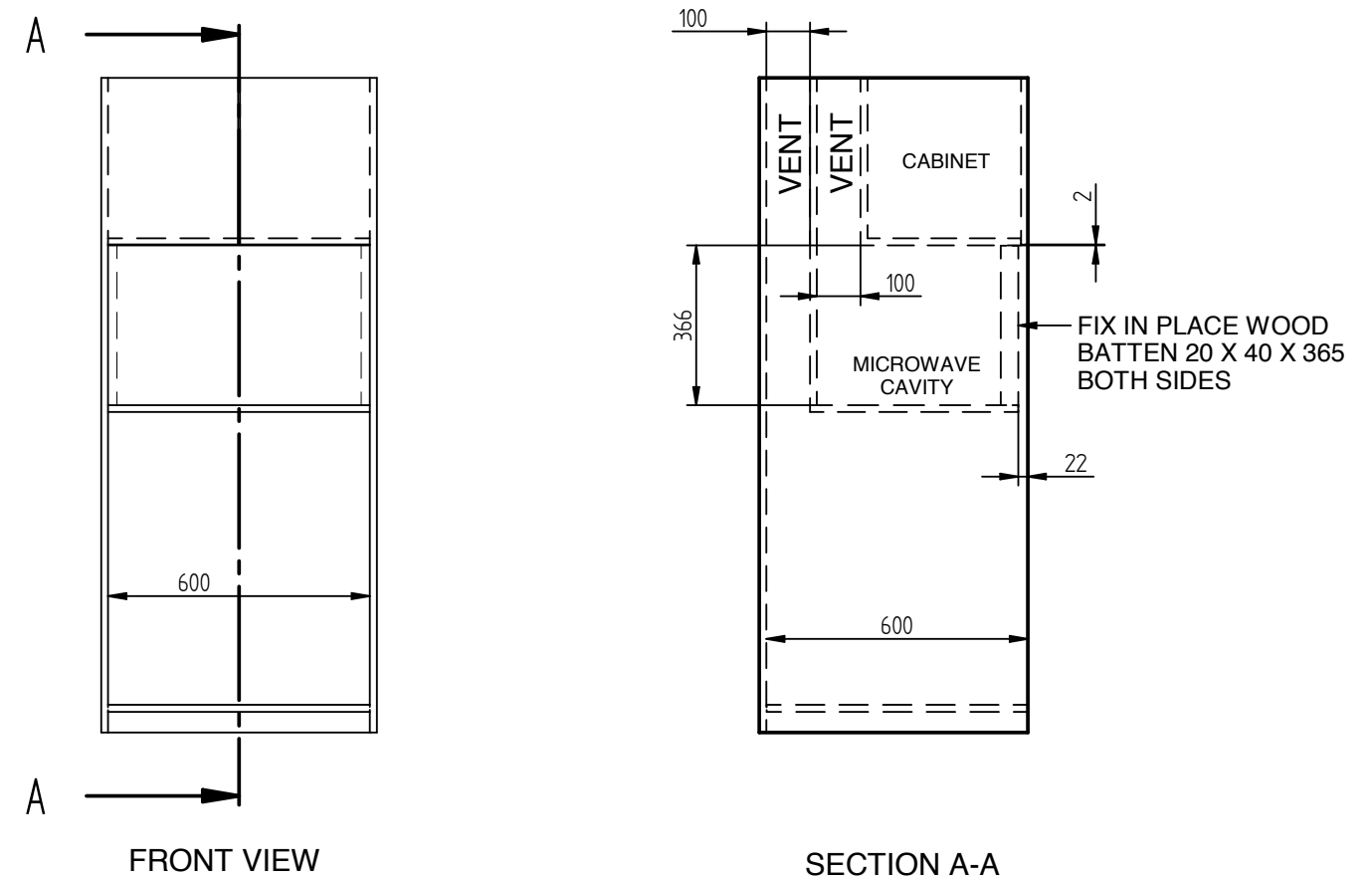
3. Insert the microwave oven power cord through the power cord hole. Do not plug the cord into the powerpoint in the adjacent cabinet until the installation process is complete. Sit the microwave oven onto the base assembly and the feet locate into the feet indents. Ensure the cord is not sitting between the microwave and the base assembly.



4. Remove the plastic protective coating from the Sharp Trim Kit Fascia. Fit the Fascia Assembly into position by pushing it so the male clips engage with the female clips while it is in a vertical position. Plug the microwave into an approved 240 volt 10 amp powerpoint and turn on. Clean with a mild stainless steel cleaner.

SHARP MICROWAVE TRIM KIT

MODEL NO. RKJ39S
CABINET SPECIFICATIONS



Free Manuals Download Website

<http://myh66.com>

<http://usermanuals.us>

<http://www.somanuals.com>

<http://www.4manuals.cc>

<http://www.manual-lib.com>

<http://www.404manual.com>

<http://www.luxmanual.com>

<http://aubethermostatmanual.com>

Golf course search by state

<http://golfingnear.com>

Email search by domain

<http://emailbydomain.com>

Auto manuals search

<http://auto.somanuals.com>

TV manuals search

<http://tv.somanuals.com>