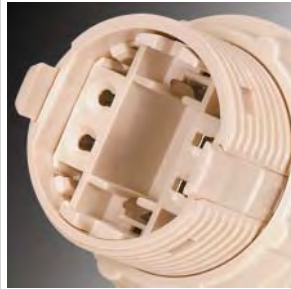


Fluorescent Ballasts





PHILIPS
ELECTRONIC BALLAST
18W
Thermal Protection.
Type I Outdoor
Type 18W G24q-2

120V 60Hz
INPUT 0.77A (60W LAMPS)
CURRENT 1.00A (75W LAMPS)
ENERGY SAVER
Instant Start High Power Factor
For Lamps:
75W / T12 80 65W / T12 72 65W / T12
80 48W / T12 430mA SL LAMPS
60W / T12 440mA SL LAMPS



IS-260E-TP

CONFORMANCE WITH
ELECTRICAL CODE

ES-240G-TP



Electronic Ballasts

T2 Subminiature, Programmed Start, < 15% THD, Universal Voltage Ballasts

Primary Lamp Type	No of Lamps	Input Voltage	Satco Product Number	Ballast Code	Pkg Qty	Wiring Method
FM13	1 / 2	120/277	S5246 ▲	QT-FM	50	Wiretap Connectors
Listed for 1 or 2 FM6, FM8, FM11, FM13 Lamp(s)						

T5 Programmed Start, < 10% THD, Universal Voltage Ballasts

Primary Lamp Type	No of Lamps	Input Voltage	Satco Product Number	Ballast Code	Pkg Qty	Wiring Method
FP28T5	1	120/277	S5221 ▲	QTP1X28T5/UNIV/PSN/NL	20	Wiretap Connectors
	2	120/277	S5222 ▲	QTP2X28T5/UNIV/PSN/NL	20	Wiretap Connectors
Listed for FP14, FP21, FP28, FP35						

T5HO Programmed Start, < 10% THD, Universal Voltage Ballasts

Primary Lamp TypePrp	No of Lamps	Input Voltage	Satco Product Number	Ballast Code	Pkg Qty	Wiring Method
FP24T5	1	120/277	S5214 ▲	QTP1X39/24T5HO/UNV/PSN/NL	20	Wiretap Connectors
	2	120/277	S5215 ▲	QTP2X39/24T5HO/UNV/PSN/NL	20	Wiretap Connectors
Listed for FPC22T5, FP24T5HO, FT24DL, CF24DF, FT36DL, CF36DL, FP39T5HO, FPC40T5						
FP54T5	1	120/277	S5218 ▲	QTP1X54T5HO/UNV/PSN/NL	20	Wiretap Connectors
	2	120/277	S5219 ▲	QTP2X54T5HO/UNV/PSN/NL	20	Wiretap Connectors
Listed for FP54T5/HO, FT55DL, FPC55						
FP80T5	1	120/277	S5220 ▲	QTP1X80T5HO/UNV/PSN/NL	20	Wiretap Connectors
Listed for FP80T5/HO, FT80DL						

ballasts

Ballasts

Electronic Ballasts

T8 Instant Start, Standard <20% THD, Dedicated Voltage Ballasts

Primary Lamp Type	No of Lamps	Input Voltage	Satco Product Number	Ballast Code	Pkg Qty	Wiring Method
F32T8	1	120v	S6623 ▲	QT1X32T8/120/ISN/SC	10	Leads
		277v	S6633 ▲	QT1X32T8/277/ISN/SC	10	Leads
	2	120v	S6624 ▲	QT2X32T8/120/ISN/SC	10	Leads
		277v	S6634 ▲	QT2X32T8/277/ISN/SC	10	Leads
	3	120v	S6625 ▲	QT3X32T8/120/ISN/SC	10	Leads
		277v	S6635 ▲	QT3X32T8/277/ISN/SC	10	Leads
	4	120v	S6626 ▲	QT4X32T8/120/ISN/SC	10	Leads
		277v	S6636 ▲	QT4X32T8/277/ISN/SC	10	Leads
Listed for FBO16, FO17, FBO24, FO25, FBO31, FO32, FBO32, FO40 & SS Equivalents						
Can operate 1 lamp on 2 lamp ballast, 2 lamps on 3 lamp ballast, 3 lamps on 4 lamp ballast						
For F40T8 operation use 1 lamp on a 2 lamp ballast, 2 lamps on a 3 lamp ballast, or 3 lamps on a 4 lamp ballast						

T8 Instant Start, Professional <10% THD, Universal Voltage Ballasts

Primary Lamp Type	No of Lamps	Input Voltage	Satco Product Number	Ballast Code	Pkg Qty	Wiring Method
F32T8	1	120/277	S5207 ▲	QTP1X32T8/UNIV/ISN/SC	10	Leads
	2	120/277	S5208 ▲	QTP2X32T8/UNIV/ISN/SC	10	Leads
	3	120/277	S5209 ▲	QTP3X32T8/UNIV/ISN/SC	10	Leads
	4	120/277	S5210 ▲	QTP4X32T8/UNIV/ISN/SC	10	Leads
Listed for FBO16, FO17, FBO24, FO25, FBO31, FO32, FBO32, FO40 & SS Equivalents						
Can operate 1 lamp on 2 lamp ballast, 2 lamps on 3 lamp ballast, 3 lamps on 4 lamp ballast						
For F40T8 operation use 1 lamp on a 2 lamp ballast, 2 lamps on a 3 lamp ballast, or 3 lamps on a 4 lamp ballast						

T8 Programmed (Rapid) Start, Professional <10% THD, Universal Voltage Ballasts

Primary Lamp Type	No of Lamps	Input Voltage	Satco Product Number	Ballast Code	Pkg Qty	Wiring Method
F32T8	1	120/277	S5286 ▲	QTP1X32T8/UNIV/PSN/TC	10	Leads
	2	120/277	S5287 ▲	QTP2X32T8/UNIV/PSN/TC	10	Leads
	3	120/277	S5288 ▲	QTP3X32T8/UNIV/PSN/SC	10	Leads
	4	120/277	S5289 ▲	QTP4X32T8/UNIV/PSN/SC	10	Leads
Listed for FBO16, FO17, FBO24, FO25, FBO31, FO32, FBO32 & SS Equivalents						
Can operate 1 lamp on 2 lamp ballast, 2 lamps on 3 lamp ballast, 3 lamps on 4 lamp ballast						

Customer Service 1-800-43-SATCO



Electronic Ballasts

T8 Instant Start, Standard <20% THD, Dedicated Voltage Ballasts

Primary Lamp Type	No of Lamps	Input Voltage	Satco Product Number	Ballast Code	Pkg Qty	Wiring Method
F96T8	2	120v	S5211 ▲	QT2X59/120/IS	10	Leads
	2	277v	S5212 ▲	QT2X59/277/IS	10	Leads
Listed for FO96T8 and SS equivalents						
Can operate 1 lamp on 2 lamp ballast						

T8 Instant Start, Professional <10% THD, Universal Voltage Ballasts

Primary Lamp Type	No of Lamps	Input Voltage	Satco Product Number	Ballast Code	Pkg Qty	Wiring Method
F96T8	2	120/277	S5213 ▲	QT2X59T8/UNIV/ISN/SC	10	Leads
Listed for FO96T8 and SS equivalents						
Can operate 1 lamp on 2 lamp ballast						

T12 Rapid Start, <10% THD, Dedicated Voltage Ballasts

Primary Lamp Type	No of Lamps	Input Voltage	Satco Product Number	Ballast Code	Pkg Qty	Wiring Method
F40T12	1	120	S5258 ▲	QTP1X40T12/120/RSN B	20	Leads
		277	S5259 ▲	QTP1X40T12/277/RSN B	20	Leads
	2	120	S5260 ▲	QTP2X40T12/120/RSN B	20	Leads
		277	S5261 ▲	QTP2X40T12/277/RSN B	20	Leads
	3	120	S5262 ▲	QTP3X40T12/120/RSN B	20	Leads
		277	S5263 ▲	QTP3X40T12/277/RSN B	20	Leads
Listed for F34T12, FB34T12, F40T12, FB40T12, F40T10						

FT40DL Instant Start, <20%THD, Dedicated Voltage Ballasts

	No of Lamps	Input Voltage	Satco Product Number	Ballast Code	Pkg Qty	Wiring Method
FT40DL	1	120	S5240 ▲	QT1X40/120/DL	10	Leads
	2	277	S5241 ▲	QT1X40/277/DL	10	Leads
	1	120	S5242 ▲	QT2X40/120/DL	10	Leads
	2	277	S5243 ▲	QT2X40/277/DL	10	Leads
	1	120	S5244 ▲	QT3X40/120/DL	10	Leads
	2	277	S5245 ▲	QT3X40/277/DL	10	Leads

Have a special requirement? Visit our website at www.satco.com

Ballasts

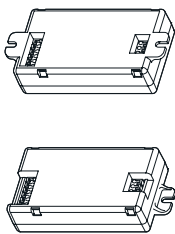


Electronic Ballasts

Compact Fluorescent Programmed Start, < 10%THD, Universal Voltage Ballasts

Primary Lamp Type	No of Lamps	Input Voltage	Satco Product Number	Ballast Code	Pkg Qty	Wiring Method
CF13	1 / 2	120/277	S5223 ▲	QTP1/2X13CF/UNV/BS	20	Wiretap Connectors
			S5225 ▲	QTP1/2X13CF/UNV/TS	20	Wiretap Connectors
			Listed for 1 or 2 CF13DD/E or CF13DT/E lamp(s)			
CF18	1 / 2	120/277	S5226 ▲	QTP1/2X18CF/UNV/BS	20	Wiretap Connectors
			S5228 ▲	QTP1/2X18CF/UNV/TS	20	Wiretap Connectors
			Listed for 1 or 2 CF18DD/E or CF18DT/E Lamp(s)			
CF26	1 / 2	120/277	S5229 ▲	QTP1/2X26CF/UNV/BS	20	Wiretap Connectors
			S5231 ▲	QTP1/2X26CF/UNV/TS	20	Wiretap Connectors
			Listed for 1 or 2 CF26DD/E, CF26DT/E, FPC22T5, FT24DL, CF24DF Lamp(s) Also Listed for 1 ea CF32DT/E, CF42DT/E, F28/2D, F38/2D, FPC40T5, FT40DL Lamp Also Listed for 2 ea CF13DS/E, FT18DL/RS, CF18DF, F21/2D Lamps			
CF26	1 / 2	120/277	S5232 ▲	QTP1/2CF/UNV/BM	20	Wiretap Connectors
			S5233 ▲	QTP1/2CF/UNV/PM	18	Wiretap Connectors
			S5234 ▲	QTP1/2CF/UNV/TM	18	Wiretap Connectors
			Listed for 1 or 2 CF26DD/E or CF26DT/E Lamp(s) Also Listed for 1 ea CF32DT/E or CF42DT/E			
CF26	2	120/277	S5235 ▲	QTP2X26/32/42CF/UNV/BM	20	Wiretap Connectors
			S5236 ▲	QTP2X26/32/42CF/UNV/PM	18	Wiretap Connectors
			S5237 ▲	QTP2X26/32/42CF/UNV/TM	18	Wiretap Connectors
			Listed for 2 ea CF26DT/E, CF32DT/E, CF42DT/E, FT36DL, FT40DL, FPC40T5 Lamps Also Listed for 1 ea FPC22T5 plus FPC40T5 Lamps (must use both lamps together)			
CF57	1	120/277	S5238 ▲	QTP1X57CF/UNV/BM	20	Wiretap Connectors
			S5239 ▲	QTP1X57CF/UNV/PM	18	Wiretap Connectors
			Listed for 1 ea CF57DT/E or CF70DT/E Lamp			

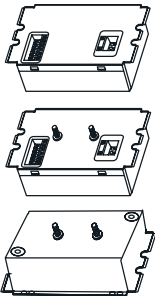
Plastic Enclosure Styles (S)



BS = Bottom Mount for recessed downlight fixtures

TS = Top Mount for ceiling and wall sconce installation

Metal Enclosure Styles (S)



BM = Bottom Mount for recessed downlight fixtures

PM = Bottom Mount with PEM studs for recessed downlight fixtures

TM = Top Mount with PEM studs for ceiling and wall sconce installation



Electronic Ballasts

T4 4-Pin CF-L Socket and Electronic Ballast Combination

Featuring New TwistLock Protection

Lamp Wattage(s)	Satco Product Number		MOL	MOD	Finish	Master / Inner Pack	Mounting Method	Wire Spec	Lead Length
13	80/1384	Short 13 Watt Socket	2.12"	2.00" x 2.37"	Ivory	200/25	1/8" IPS Hickey	UL1015	24"
	80/1325	Standard 13 Watt Socket	3.00"	1.75"	Ivory	200/25	1/8" IPS Hickey	UL1015	24"
	80/1405	Standard 13 Watt Socket	2.37"	1.75"	Ivory	200/25	Rt Angle Snap In	UL1015	24"
	80/1335	13 Watt Socket With Uno Ring	1.88"	1.75"	Ivory	200/25	1/8" IPS Hickey	UL1015	24"
C-UL Listed for Indoor/Outdoor applications			Minimum Starting Temp -20 C / -4 F						
18	80/1385	Short 18 Watt Socket	2.12"	2.00" x 2.37"	Ivory	200/25	1/8" IPS Hickey	UL1015	24"
	80/1324	Standard 18 Watt Socket	3.00"	1.75"	Ivory	200/25	1/8" IPS Hickey	UL1015	24"
	80/1406	Standard 18 Watt Socket	2.37"	1.75"	Ivory	200/25	Rt Angle Snap In	UL1015	24"
	80/1336	18 Watt Socket With Uno Ring	1.88"	1.75"	Ivory	200/25	1/8" IPS Hickey	UL1015	24"
C-UL Listed for Indoor/Outdoor applications			Minimum Starting Temp -20 C / -4 F						
26	80/1386	Short 26 Watt Socket	2.12"	2.00" x 2.37"	Ivory	200/25	1/8" IPS Hickey	UL1015	24"
	80/1383	Standard 26 Watt Socket	3.00"	1.75"	Ivory	200/25	1/8" IPS Hickey	UL1015	24"
	80/1382	26 Watt Socket With Uno Ring	1.88"	1.75"	Ivory	200/25	1/8" IPS Hickey	UL1015	24"
C-UL Listed for Indoor/Outdoor applications			Minimum Starting Temp -20 C / -4 F						
26-32-42	80/1323	26/32/42 Watt Socket	3.12"	2.50"	Ivory	200/25	1/8" IPS Hickey	UL1015	24"
C-UL Listed for Indoor/Outdoor applications			Minimum Starting Temp -20 C / -4 F						
26 - 32	80/1331	26W/32W Dimmer Socket	3.25"	3.75"	Ivory	50/25	1/8" IPS Hickey	UL1015	36"
	C-UL Listed for indoor applicatons								
	Dimmer sockets are for Table and Floor Lamp Applications Only								
Dimmer Control, and Harp Saddle are integral to the socket									



120v 60Hz operation
3 Year Warranty
(Replacement only)

ballasts

Ballasts



Magnetic Ballasts

T8 and T12 Preheat / Trigger Start Ballasts

Primary Lamp Type	No of Lamps	Input Voltage	Satco Product Number	Ballast Code	Pkg Qty	Starting Method	Potted
F15T12	1	120	S5268 ▲	MB1X15/120PH/TP	16	Trigger Start	Yes
F20T12	1	120	S5269 ▲	MB1X20/120PH/TP	40	Preheat	Yes
			S5270 ▲	MB1X20/120PH/TP	40	Preheat	No
	2	120	S5271 ▲	MB2X20/120PH/TP	16	Trigger Start	Yes
Listed for F14T8, F14T12, F15T8, F15T12, F20T12 Lamps							
Preheat ballasts require the use of a starter Trigger start ballasts eliminate the need for a starter							

T9 Circline Rapid Start Ballasts

Primary Lamp Type	No of Lamps	Input Voltage	Satco Product Number	Ballast Code	Pkg Qty	Sound Rating	Power Factor
FC8T9	1	120	S5273 ▲	MB1X22/120CIRC	16	Class A	NPF
FC12T9	1	120	S5272 ▲	MB1X32/120CIRC	16	Class A	NPF
Listed for FC12T9 and FC16T9 Lamps							

T12 Rapid Start Ballasts

Primary Lamp Type	No of Lamps	Input Voltage	Satco Product Number	Ballast Code	Pkg Qty	Sound Rating	Power Factor
F30T12	2	120	need # ▲	MB2X30/120RS/SRNC	10	Class A	HPF
		277	need # ▲	MB2X30/277RS/SRNC	10	Class A	HPF
Listed for F25T12/SS and F30T12 Lamps							



Magnetic Ballasts

T12 Rapid Start Ballasts *(cont.)*

Primary Lamp Type	No of Lamps	Input Voltage	Satco Product Number	Ballast Code	Pkg Qty	Sound Rating	Power Factor
F34T12	1	120	S5274 ▲	MB1X40/120RS/SRNK	10	Class A	HPF
		277	S5275 ▲	MB1X40/277RS/SRNK	10	Class A	HPF
	Listed for F25T12/SS, F30T12, F34T12, FB34T12, F40T10, F40T12, FB40T12 Lamps						
F34T12	2	120	S6620 ▲	MB2X40/120RS/SRNK	10	Class A	HPF
		277	S6622 ▲	MB2X40/277RS/SRNK	10	Class A	HPF
	Listed for F34T12, FB34T12, F40T10, F40T12, FB40T12 Lamps						
F40T12	1	120	S5276 ▲	MB1X40/120RES/SRNK	16	Class A	NPF
		Listed for F40T12 FULL WATTAGE ONLY - Residential Application					

T12 Instant Start Slimline Ballasts

Primary Lamp Type	No of Lamps	Input Voltage	Satco Product Number	Ballast Code	Pkg Qty	Sound Rating	Power Factor
F48T12	2	120	S5277 ▲	MB2X48/120IS-SRNK	6	Class B	HPF
		277	S5278 ▲	MB2X48/277IS-SRNK	6	Class B	HPF
	Listed for F48T12/SS and F48T12 Lamps						
F96T12	1	120	S5279 ▲	MB1X96/120IS-SRNK	6	Class B	HPF
		277	S5280 ▲	MB1X96/277IR-SRNK	6	Class B	HPF
	2	120	S6621 ▲	MB2X96/120IS-SRNK	6	Class B	HPF
		277	S5281 ▲	MB2X96/277IS-SRNK	6	Class B	HPF
Listed for F60T12, F64T12, F72T12, F84T12, F96T12/SS, and F96T12 Lamps							

Ballasts

Magnetic Ballasts

T12 HO (800mA) Rapid Start Ballasts

Primary Lamp Type	No of Lamps	Input Voltage	Satco Product Number	Ballast Code	Pkg Qty	Sound Rating	Power Factor
F96T12/HO	1	120	S5282 ▲	MB1X96HO/120RS-SRNK	4	Class C	HPF
			S5283 ▲	MB1X96HO/277RS-SRNK	4	Class C	HPF
	2	120	S5284 ▲	MB2X96HO/120RS-SRNK	4	Class C	HPF
			S5285 ▲	MB2X96HO/277RS-SRNK	4	Class C	HPF
Listed for all T12 HO Lamps 18" through 96"							
F18T12, F24T12, F30T12, F42T12, F48T12/SS, F48T12, F60T12, F64T12, F72T12, F84T12, F96T12/SS, F96T12/CT, F96T12							

T12 HO (800mA) Rapid Start Sign Ballasts

Primary Lamp Type	No of Lamps	Input Voltage	Satco Product Number	Ballast Code	Pkg Qty	Total Lamp Length
T12/RS/HO	1-2	120	S5290 ▲	MSB-12-0412-TP	1	4ft to 12ft
			S5291 ▲	MSB-24-0620-TP	1	6ft to 20ft
	2-4	120	S5292 ▲	MSB-24-1224-TP	1	12ft to 24ft
			S5293 ▲	MSB-24-2040-TP	1	20ft to 40ft
			S5294 ▲	MSB-46-1240-TP	1	12ft to 40ft
	4-6	120	S5295 ▲	MSB-46-2448-TP	1	24ft to 48ft
Listed for all T12 HO Lamps 18" through 120", as long as they fall within the quantity of lamps and lamp length requirements listed						

T12 VHO (1500mA) Rapid Start Ballasts

Primary Lamp Type	No of Lamps	Input Voltage	Satco Product Number	Ballast Code	Pkg Qty	Sound Rating	Power Factor
F96T12/VHO	1	120V	S5264 ▲	MB1X96VHO/120RS-SRNK	4	Class D	HPF
		277V	S5265 ▲	MB1X96VHO/277RS-SRNK	4	Class D	HPF
	2	120V	S5266 ▲	MB2X96VHO/120RS-SRNK	4	Class D	HPF
		277V	S5267 ▲	MB2X96VHO/277RS-SRNK	4	Class D	HPF
Listed for F48T12/VHO, F60T12/VHO, F72T12/VHO, F96T12/VHO/SS, F96T12/VHO							

Free Manuals Download Website

<http://myh66.com>

<http://usermanuals.us>

<http://www.somanuals.com>

<http://www.4manuals.cc>

<http://www.manual-lib.com>

<http://www.404manual.com>

<http://www.luxmanual.com>

<http://aubethermostatmanual.com>

Golf course search by state

<http://golfingnear.com>

Email search by domain

<http://emailbydomain.com>

Auto manuals search

<http://auto.somanuals.com>

TV manuals search

<http://tv.somanuals.com>