

A NEW GENERATION OF FARBERWARE  
**FARBERWARE**<sup>®</sup>  
FOR A NEW GENERATION OF COOKS

## ACCENTS



# USE & CARE INSTRUCTIONS

## 4 SLICE TOASTER OVEN-BROILER

### FAC800TO / FAC800TOB

# IMPORTANT SAFEGUARDS

When using electrical appliances, basic safety precautions should always be followed including the following:

1. Read all instructions.
2. Do not touch hot surfaces. Use handles or knobs.
3. To protect against electrical shock do not immerse cord, plugs, or appliance in water or other liquid.
4. Close supervision is necessary when any appliance is used by or near children.
5. Unplug from outlet when not in use and before cleaning. Allow to cool before putting on or taking off parts.
6. Do not operate any appliance with a damaged cord or plug or after the appliance malfunctions or has been damaged in any manner. Contact Consumer Service for examination, repair or adjustment.
7. The use of accessory attachments not recommended by the appliance manufacturer may cause injuries.
8. Do not use outdoors.
9. Do not let cord hang over edge of table or counter, or touch hot surfaces.
10. Do not place on or near a hot gas or electric burner, or in a heated oven.
11. Extreme caution must be used when moving an appliance containing hot oil or other hot liquids.
12. To disconnect, turn the Timer Control to OFF; then remove plug from wall outlet.
13. Do not use appliance for other than intended use.
14. Oversize foods or metal utensils must not be inserted in a Toaster Oven as they may create a fire or risk of electric shock.
15. A fire may occur if the Toaster Oven is covered or touching flammable material, including curtains, draperies, walls and the like, when in operation. Do not store any item on top of the appliance when in operation.
16. Do not clean with metal scouring pads. Pieces can break off the pad and touch electrical parts, involving a risk of electric shock.
17. Extreme caution should be exercised when using containers constructed of materials other than metal or glass.

18. Do not store any materials, other than manufacturer's recommended accessories, in this Oven when not in use.
19. Do not place any of the following materials in the Oven: paper, cardboard, plastic and the like.
20. Do not cover Crumb Tray or any part of the Oven with metal foil. This will cause overheating of the Oven.
21. The Toaster Oven is OFF when the Timer Control is in the OFF position.
22. Use extreme caution when removing Bake/Broil Pan or disposing of hot grease.

**SAVE THESE INSTRUCTIONS**  
**THIS PRODUCT IS FOR HOUSEHOLD USE ONLY**

# ADDITIONAL IMPORTANT SAFEGUARDS

**CAUTION HOT SURFACES: This appliance generates heat and escaping steam during use. Proper precautions must be taken to prevent the risk of burns, fires, or other injury to persons or damage to property.**

1. A person who has not read and understood all operating and safety instructions is not qualified to operate this appliance. All users of this appliance must read and understand this Owner's Manual before operating or cleaning this appliance.
2. If this appliance falls or accidentally becomes immersed in water, unplug it from the wall outlet immediately. Do not reach into the water!
3. When using this appliance, provide adequate air space above and on all sides for air circulation. Do not operate this appliance while it is touching or near curtains, wall coverings, clothing, dishtowels or other flammable materials.
4. To reduce the risk of fire, do not leave this appliance unattended during use.
5. If this appliance begins to malfunction during use, immediately turn the Timer Control to OFF; then remove plug from wall outlet and unplug the cord. Do not use or attempt to repair a malfunctioning appliance!
6. The cord to this appliance should only be plugged into a 120V AC electrical wall outlet.
7. Do not use this appliance in an unstable position.

## POLARIZED PLUG

This appliance has a polarized plug (one blade is wider than the other). To reduce the risk of electric shock, this plug is intended to fit into a polarized outlet only one way. If the plug does not fit fully in the outlet, reverse the plug. If it still does not fit, contact a qualified electrician. Do not attempt to modify the plug in any way.

## SHORT CORD INSTRUCTIONS

A short power-supply cord is provided to reduce the risk resulting from becoming entangled in or tripping over a longer cord.

Do not use an extension cord with this product.

## ELECTRIC POWER

If the electrical circuit is overloaded with other appliances, your appliance may not operate properly. It should be operated on a separate electrical circuit from other appliances.

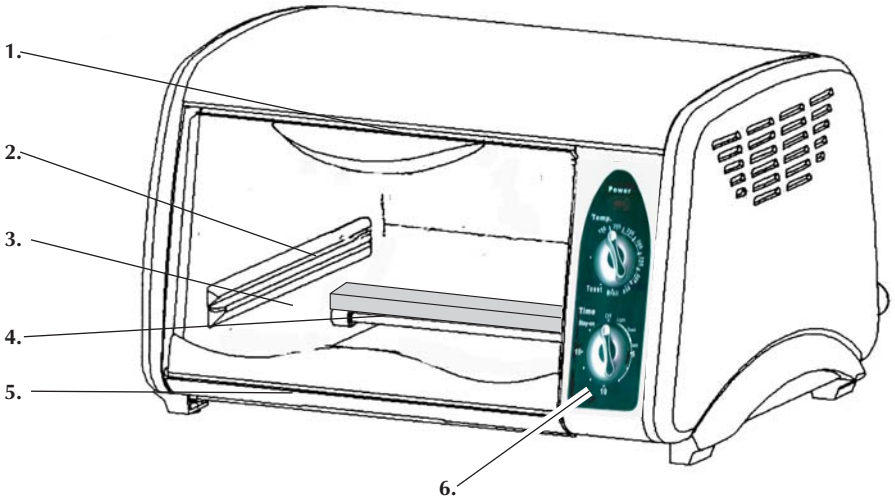
## PLASTICIZER WARNING

**CAUTION:** To prevent Plasticizers from migrating from the finish of the counter top or table top or other furniture, place NON-PLASTIC coasters or place mats between the appliance and the finish of the counter top or table top.

**Failure to do so may cause the finish to darken, permanent blemishes may occur or stains can appear.**

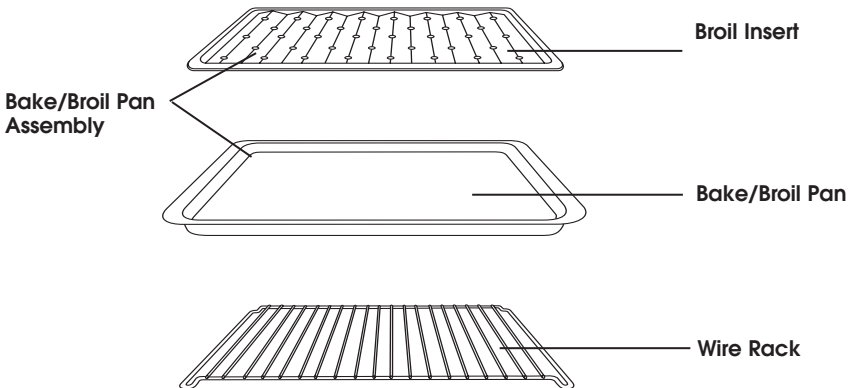
# GETTING TO KNOW YOUR **FARBERWARE**<sup>®</sup> 4 SLICE TOASTER OVEN-BROILER

PRODUCT MAY VARY SLIGHTLY FROM ILLUSTRATIONS

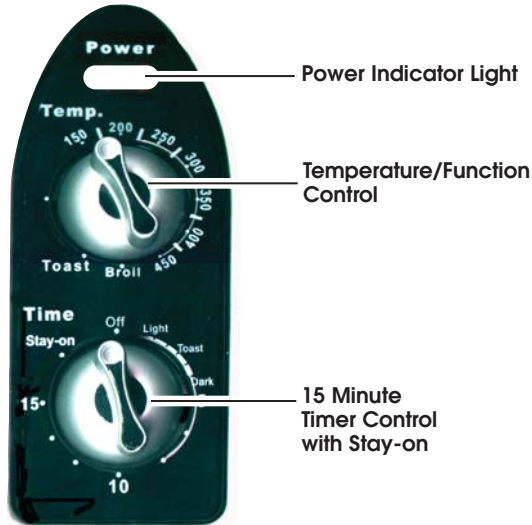


- 1. Upper Heating Element
- 2. Rack Support Guide
- 3. Glass Door
- 4. Lower Heating Element

- 5. Crumb Tray
- 6. Control Panel
- 7. Cord Wrap  
(on back, not shown)



# CONTROL PANEL



## BEFORE USING YOUR TOASTER OVEN-BROILER FOR THE FIRST TIME

1. Read all instructions in this Owner's Manual carefully.
2. Carefully unpack your Toaster Oven-Broiler and remove all packaging materials.
3. Place your Toaster Oven-Broiler on a level surface such as a countertop or table. Be sure the sides, back, and top of the Toaster Oven-Broiler are at least four inches away from any walls, cabinets, or objects on the counter or table.
4. Remove all stickers from the Toaster Oven-Broiler except the rating label located on the back.
5. Remove Broil Insert, Bake/Broil Pan, Wire Rack and Crumb Tray and wash in warm, soapy water. Rinse and dry thoroughly before placing in the Toaster Oven-Broiler.
6. To remove any dust that may have accumulated during packaging, simply wipe the Toaster Oven-Broiler exterior with a clean, damp cloth.
7. Do not use abrasive cleansers.
8. Do not put the Toaster Oven-Broiler, cord or plug in water.

## BEFORE USING THE FIRST TIME (Continued)

9. When you are ready to use the Toaster Oven-Broiler, plug the cord into a 120V AC outlet.
10. To eliminate any protective substance or oil that may have been used for packing and shipping, turn the Temperature/Function Control to TOAST and set the Timer Control for 15 minutes. As soon as the Timer Control is engaged, both the Upper and Lower Heating Element will turn ON. A small amount of smoke and odor may be detected. This is normal.
11. To avoid scratching, marring, or discoloration, do not store anything on top of the Toaster Oven-Broiler during operation.

**CAUTION: Appliance surfaces are hot during and after use.**

**CAUTION: Always wear protective, insulated oven mitts on hands when touching hot Toaster Oven-Broiler or hot dishes and food or when inserting or removing Wire Rack, baking dish and food.**

**NOTE: The Toaster Oven-Broiler will not operate unless the Timer Control has been set.**

**NOTE: After using the Toaster Oven-Broiler, turn the Timer Control to OFF; then remove plug from wall outlet.**

## HINTS FOR BEST RESULTS

- To prevent heat loss, avoid opening the door excessively.
- To speed up browning, brush lean cuts of meat, chicken and fish with oil, margarine or melted butter.

## COOKING CONTAINERS

- The Bake/Broil Pan included with the Toaster Oven-Broiler is suitable for items such as cookies, rolls, biscuits, nachos and pork chops.
- Choose bakeware made of metal, or glass/ceramic without lids.
- Dark or dull pans absorb heat faster; foods will bake more rapidly and crust will brown more easily than in shiny bake pans.
- Check package directions and/or with the ovenware manufacturer to determine if the container is suitable for use in a Toaster Oven-Broiler.
- Do not use oven roasting bags in this Toaster Oven-Broiler, as they may come in contact with the Heating Elements.



## HINTS FOR BEST RESULTS (Continued)

**CAUTION:** Allow at least 1" air space between the top of the container and the Upper Heating Element. Never use glass lids on glass or metal bakeware. If a lid is necessary, cover tightly with heavy-duty aluminum foil.

## INSTRUCTIONS FOR TOASTING

1. Plug into 120V AC 60 Hz outlet. Make sure the Glass Door is closed.
2. Make sure the Crumb Tray is firmly in place in the bottom of the Toaster Oven-Broiler.
3. Open the Glass Door and center bread on the Wire Rack. Close the Glass Door.
4. Turn the Temperature/Function Control to TOAST.
5. Turn the Timer Control to the desired toast color. The Power Indicator Light will illuminate.

**NOTE:** To set the Timer Control for less than 10 minutes, turn to 10 and then turn back to the appropriate amount of time.

**NOTE:** DO NOT set the Timer Control to the Stay-on position when using the TOAST Function.

**CAUTION:** As soon as the Timer Control is engaged, the Toaster Oven-Broiler will turn ON. Both the Upper and Lower Heating Element will cycle ON and OFF to maintain temperature for the entire cooking time.

**CAUTION:** As soon as the Timer Control is engaged both Heating Elements will immediately become hot. Use care not to place anything on top of the Toaster Oven-Broiler. Do not touch the Toaster Oven-Broiler or any part of the Toaster Oven-Broiler without wearing oven mitts.

6. With the Timer Control set, the Toaster Oven-Broiler will shut OFF automatically when the signal sounds; the Power Indicator Light will turn off.

Watch toast until desired color is achieved. If toasting is completed before the Timer Control shuts the Toaster Oven-Broiler OFF, you may shut the Toaster Oven-Broiler OFF manually by turning the Timer Control to the OFF position. The Power Indicator Light will turn off.

## INSTRUCTIONS FOR TOASTING (Continued)

7. Open the Glass Door. Wear protective oven mitts to remove toast from Toaster Oven-Broiler. Be careful when removing toast from the Wire Rack. The inside of the Toaster Oven-Broiler is very hot. Close Glass Door.
8. Unplug unit and allow to cool before cleaning.

**CAUTION: DO NOT LEAVE TOASTER OVEN-BROILER UNATTENDED DURING TOASTING.**

See User Maintenance Instructions. Unplug when not in use.

## HINTS FOR TOASTING

- Remove all protective wrappings from food before placing in Toaster Oven-Broiler. Follow toaster food directions.
- Frozen and heavy bread require a longer time setting (e.g. bagels and English muffins).

**NOTE: Use extra caution when using this Toaster Oven-Broiler for toasting pastry items with runny-type frosting or open fillings.**

- When toasting more than one slice of bread, use slices of similar size, thickness and freshness.
- Toasting one slice of bread requires a lighter setting than several slices of bread at the same time.
- Stale bread, thin bread or sweet bread products, such as tea cakes and fruit loaves, brown much more quickly than ordinary bread, so they should be toasted for less time.
- Different breads require different toasting times. When toasting is completed, turn Timer Control to the OFF position and open the Glass Door to check toast color. Close Glass Door and reset Timer Control if more toasting time is needed.
- For best results, clean Crumb Tray frequently.

# INSTRUCTIONS FOR BAKING

1. Plug into 120V AC 60 Hz outlet. Close the Glass Door.
2. Make sure the Crumb Tray is firmly in place in the bottom of the Toaster Oven-Broiler.
3. Set the Temperature/Function Control to the desired temperature.
4. Turn the Timer Control to approximately 5 minutes to preheat the Toaster Oven-Broiler. After that time, a signal will sound and the Toaster Oven-Broiler will automatically shut OFF. The Power Indicator Light will turn off.

**NOTE: To set the Timer Control for less than 10 minutes, turn to 10 and then turn back to the appropriate amount of time.**

5. Remove all protective wrappings from food before placing in Toaster Oven-Broiler.
6. Wearing protective oven mitts, open the Glass Door. Carefully place the Wire Rack in the Oven. Use the Bake/Broil Pan or an appropriate baking container. If you would like your food browned top and bottom, place food directly on Rack and close Glass Door. Bake according to package or recipe time.
7. Turn the Timer Control to the desired time or to the Stay-on position. The Power Indicator Light will illuminate.

**NOTE: To set the Timer Control for less than 10 minutes, turn to 10 and then turn back to the appropriate amount of time.**

**CAUTION: As soon as the Timer Control is engaged, the Toaster Oven-Broiler will turn ON. Both the Upper and the Lower Heating Element will cycle ON and OFF to maintain temperature for the entire cooking time.**

**CAUTION: As soon as the Timer Control is engaged both Heating Elements will become hot immediately. Use care not to place anything on top of the Toaster Oven-Broiler. Do not touch the Toaster Oven-Broiler or any part of the Toaster Oven-Broiler without wearing oven mitts.**

**CAUTION: DO NOT LEAVE TOASTER OVEN-BROILER UNATTENDED DURING BAKING.**

8. With the Timer Control set, the Toaster Oven-Broiler will shut OFF automatically when the signal sounds; the Power Indicator Light will turn off.

If baking is completed before the Timer Control shuts the Toaster Oven-Broiler OFF, you may shut the Toaster Oven-Broiler OFF manually by turning the Timer Control to the OFF position. The Power Indicator Light will turn off.

## INSTRUCTIONS FOR BAKING (Continued)

If the Stay-on position has been selected, the Toaster Oven-Broiler must be shut OFF manually by turning the Timer Control to the OFF position. The Power Indicator Light will turn off.

9. Open the Glass Door. Wear protective oven mitts to remove food from Toaster Oven-Broiler. The inside of the Toaster Oven is very hot. Close the Glass Door.
10. Unplug the unit and allow to cool completely before cleaning.

**NOTE: Do not use glass covers on baking pans. If using a glass or glass-ceramic baking container, make sure it is at least 1-1/2 inches away from the Upper Heating Element.**

See User Maintenance Instructions. Unplug when not in use.

## HINTS FOR BAKE

- Heavy-duty aluminum foil may be used to cover top of baking container to reduce over-browning. Tuck ends of foil closely against edge of pan.
- Place food toward the back of the Toaster Oven-Broiler for better browning.
- Food may cook faster than recipe or package time. Check for doneness prior to end of cook time.
- Rotate and turn food over for more even browning halfway through the cooking process.
- To prevent heat loss, avoid opening the Glass Door excessively.

# INSTRUCTIONS FOR BROILING

Only the Upper Heating Element will heat while broiling.

1. Plug into 120 V AC 60 Hz outlet. Close the Glass Door.
2. Make sure the Crumb Tray is firmly in place in the bottom of the Toaster Oven-Broiler.
3. Place the Broil Insert on top of the Bake/Broil Pan. Place food directly onto the Broil Pan Assembly. When broiling, both the Bake/Broil Pan and the Broil Insert must be used.
4. Open the Glass Door. Place the Wire Rack in the Oven, leaving approximately 1 to 2 inches between the food and the Upper Heating Element.

**NOTE: When broiling, both the Bake/Broil Pan and the Broil Insert must be used.**

5. Place the food on the Broil Pan Assembly. Brush food with sauces or oil as desired. Place the Broil Pan Assembly with food into the Toaster Oven Broiler and close the Glass Door. The Bake/Broil Pan will catch any juices that drip during broiling. Never cover the Broil Insert with aluminum foil as this prevents juices and fat from dripping into the Bake/Broil Pan.
6. Turn the Temperature/Function Control to BROIL.
7. Turn the Timer Control to the desired time. The Power Indicator Light will illuminate.

**NOTE: To set the Timer Control for less than 10 minutes, turn to 10 and then turn back to the appropriate amount of time.**

**NOTE: DO NOT set the Timer Control to the Stay-on position when using the BROIL Function.**

**CAUTION: As soon as the Timer Control is engaged, the Toaster Oven-Broiler will turn ON. The Upper Heating Element will remain ON for the entire cooking time.**

**CAUTION: As soon as the Timer Control is engaged the Upper Heating Element will become hot immediately. Use care not to place anything on top of the Toaster Oven-Broiler. Do not touch the Toaster Oven-Broiler or any part of the Toaster Oven-Broiler without wearing oven mitts.**

8. Broil according to package or recipe time. When broiling food that needs to be cooked on both sides, set the Timer Control for the time necessary for one side.

## INSTRUCTIONS FOR BROILING (Continued)

9. With the Timer Control set, the Toaster Oven-Broiler will shut OFF automatically when the signal sounds; the Power Indicator Light will turn off.

If broiling is completed before the Timer Control shuts the Toaster Oven-Broiler OFF, you may shut the Toaster Oven-Broiler OFF manually by turning the Timer Control to the OFF position. The Power Indicator Light will turn off.

10. Open the Glass Door. Wear protective oven mitts to carefully pull the Wire Rack and Assembled Broil Pan about halfway out of the Toaster Oven-Broiler. Turn the food, slide the Wire Rack and Assembled Broil Pan into the Toaster Oven-Broiler and close the Toaster Oven-Broiler Glass Door. Turn the Timer Control to the desired time.

**NOTE: To set the Timer Control for less than 10 minutes, turn to 10 and then turn back to the appropriate amount of time.**

11. When the Broiling time is complete, a signal will sound, and the Timer Control will finish in the OFF position. The Power Indicator Light will turn off.
12. Open the Glass Door. Wear protective oven mitts to remove food from Toaster Oven-Broiler. Be careful when removing food. The inside of the Toaster Oven-Broiler is very hot. Close the Glass Door.
13. Unplug unit and allow to cool completely before cleaning. See User Maintenance Instructions. Unplug when not in use.

**CAUTION: DO NOT LEAVE TOASTER OVEN-BROILER UNATTENDED DURING BROILING.**

## HINTS FOR BROILING

- Watch food to avoid over-browning or burning.
- Do not place aluminum foil on top of Broiling Insert. Doing this traps grease and can cause a fire.
- When broiling, trim excess fats from meat and score edges to reduce curling, splattering and smoking.
- Always thaw meat before broiling.

## SPECIAL FEATURES

### 15 MINUTE TIMER CONTROL WITH STAY-ON

Turn the 15 Minute Timer Control with Stay-on clockwise to select the appropriate cooking time.

When the cooking is completed, a signal will sound and the unit will turn OFF automatically. If you wish to turn the Toaster Oven-Broiler OFF at any time, manually turn the Timer Control to the OFF position.

If you need to cook for longer than 15 minutes, you may use the Stay-on Setting. To use the Stay-on Setting, turn the Timer Control counter-clockwise to the Stay-on marking. The Power Indicator Light will illuminate. While at this setting, the unit will remain ON until the Timer Control is manually turned to the OFF position. Unplug Toaster Oven-Broiler when not in use.

### REMOVABLE WIRE RACK

The Wire Rack must be used for all cooking Functions. The Rack is removable for easy cleaning and must be properly re-inserted before use.

### INDICATOR LIGHT

When you turn the 15 Minute Timer Control with Stay-on to the desired time, the Power Indicator Light will illuminate.

The unit will shut OFF automatically when using the 15 Minute Timer Function and the time is reached. The Power Indicator Light will turn off.

### BAKE/BROIL PAN, BROIL INSERT

For best results use the Bake/Broil Pan to BAKE or to TOP BROWN, to keep foods warm and to minimize clean-up due to spills.

**NOTE: When broiling, both the Bake/Broil Pan and the Broil Insert must be used.**

# USER MAINTENANCE INSTRUCTIONS

This appliance requires little maintenance. It contains no user serviceable parts. Do not try to repair it yourself. Any servicing requiring disassembly other than cleaning must be performed by a qualified appliance repair technician.

## CARE AND CLEANING

1. Make sure the Temperature/Function Control is turned as far counter-clockwise as possible. Make sure that the Timer Control is in the OFF position and unplug the Toaster Oven-Broiler before cleaning.
2. Allow Toaster Oven-Broiler and accessories to cool completely before cleaning.
3. Clean the outside of the Toaster Oven-Broiler with a damp cloth and dry thoroughly. A non-abrasive liquid cleaner may be used for stubborn stains. Rinse and dry thoroughly. Do not use metal scouring pads or abrasive cleaners that will scratch the surface.
4. Clean the Glass Door with a cloth or sponge dampened with warm, sudsy water. Dry thoroughly.
5. Remove Broil Insert, Bake/Broil Pan, Wire Rack and Crumb Tray. Wash in soapy water and dry thoroughly.
6. If crumbs and spills have accumulated on the Crumb Tray, wipe with a damp cloth. Always dry the Crumb Tray thoroughly before replacing.
7. DO NOT use abrasive cleaners or metal scouring pads to clean Broil Insert, Bake/Broil Pan or Wire Rack. For stubborn stains, clean with a nylon or polyester mesh pad and a mild, non-abrasive cleaner. Rinse and dry thoroughly.

**CAUTION: DO NOT use spray-on or other oven cleaners. Using these types of cleaners may cause electrical damage.**



## **INTERIOR CLEANING**

1. Always unplug unit and allow to cool completely before cleaning or moving.
2. Remove Broil Insert, Bake/Broil Pan, Wire Rack and Crumb Tray.
3. Clean interior with a mild or non-abrasive cleaner and plastic scouring pad after each use to avoid build-up. Do not rub too hard as surface can be scratched.
4. To remove baked on food, pour a small amount of cooking oil onto the food and allow to stand for 5 to 10 minutes. Remove the softened food with a soft cloth. Do not use steel wool, scouring pads or abrasive cleaners.
5. Rinse and dry thoroughly before closing the Glass Door.

## **EXTERIOR CLEANING**

Wipe surfaces with a clean, damp cloth. Do not use abrasive cleaners, as they may scratch the surface.

## **TO STORE**

Unplug unit, allow to cool, and clean before storing. Store in its box in a clean, dry place. Never store appliance while appliance is hot or still plugged in. Use the Cord Wrap at the back of the unit to store the power cord when not in use. Never wrap cord tightly around the appliance. Do not put any stress on the cord where it enters the unit, as it could cause the cord to fray and break.

# RECIPES

## PIZZA BURGERS

1 pound ground turkey or lean beef  
1/4 cup grated Parmesan cheese  
1/4 cup chopped onions  
1 teaspoon garlic salt  
1/8 teaspoon pepper  
1 teaspoon oregano  
1/2 cup catsup

4 Mozzarella cheese slices

4 hamburger buns

Combine all ingredients except cheese and hamburger buns and shape into 4 patties. Place on the bake/broil pan assembly and BROIL 20-30 minutes, turning halfway through cooking. Place mozzarella cheese on top of burgers towards end of cooking time. Cook until done and cheese is melted.

Yield 4 servings

## TUNA MELTS

1/3 cup chopped celery  
1/3 cup chopped onions  
1/2 cup chopped Velveeta® cheese  
1/2 cup mayonnaise  
1 6-ounce can tuna, drained

4 slices rye bread\*

Coat bake/broil pan with non-stick cooking spray. Combine ingredients and spread mixture evenly over piece of bread. Place on the bake pan and BROIL 5-10 minutes or until hot.

Yield 4 servings

\*substitute rye bread with toasted English muffins

## **BROILED SHRIMP SKEWERS**

24 large shrimp, peeled and deveined  
4 tablespoons olive oil  
3 tablespoons chopped fresh parsley  
3 medium cloves garlic minced  
salt and freshly ground black pepper

lemon wedges to serve

Rinse the shrimp in cold water and pat dry with paper towels. In a bowl, combine the olive oil, parsley, garlic, salt and pepper to season. Toss the shrimp in the mixture to coat thoroughly. Cover and marinate for 1 hour in the refrigerator. Thread 6 of the shrimp onto each of the four wood or metal skewers, through the shrimp tails front to back, so that the tails are curled and firmly held in place. Place the skewers on the bake/broil pan assembly. BROIL for 3 minutes on each side or until the shrimp become pink. Serve with lemon wedges.

Yield 4 servings

## **TORTILLA CRISPS**

2 tablespoons hot water  
1 teaspoon vanilla  
3 tablespoons sugar  
2 teaspoons ground cinnamon  
8 6-inch diameter flour tortillas  
vegetable cooking spray

Combine water and vanilla. In a separate bowl, combine sugar and cinnamon. Spray one side of tortilla with vegetable oil. Place on the bake/broil pan and broil 2-5 minutes, or until brown. Turn and spray tortilla with vegetable oil, brush with vanilla mixture, sprinkle with cinnamon and sugar. BROIL 2-5 minutes or until brown and crisp.

Turn this into a Buñuelo: Top with vanilla ice cream and lace with honey. Olé!

Yield 4 servings

# FARBERWARE®

## ONE-YEAR LIMITED WARRANTY

**Warranty:** This Farberware® product is warranted by Salton, Inc. to be free from defects in materials or workmanship for a period of (1) year from the original purchase date. This product warranty covers only the original consumer purchaser of the product.

**Warranty Coverage:** This warranty is void if the product has been damaged by accident in shipment, unreasonable use, misuse, neglect, improper service, commercial use, repairs by unauthorized personnel, normal wear and tear, improper assembly, installation or maintenance abuse or other causes not arising out of defects in materials or workmanship. This warranty is effective only if the product is purchased and operated in the USA, and does not extend to any units which have been used in violation of written instructions furnished with the product or to units which have been altered or modified or to damage to products or parts thereof which have had the serial number removed, altered, defaced or rendered illegible.

**Implied Warranties:** ANY IMPLIED WARRANTIES WHICH THE PURCHASER MAY HAVE ARE LIMITED IN DURATION TO ONE (1) YEAR FROM THE DATE OF PURCHASE. Some states do not allow limitations on how long an implied warranty lasts, so the above limitation may not apply to you.

**Warranty Performance:** During the above one-year warranty period, a product with a defect will be either repaired or replaced with a reconditioned comparable model (at our option) when the product is returned to the Repair Center, or the purchase price refunded. The repaired or replacement product will be in warranty for the balance of the one-year warranty period and an additional one-month period. No charge will be made for such repair or replacement.

**Service and Repair:** Should the appliance malfunction, you should first call toll-free 1 (888) 881-8101 between the hours of 9:00 am and 5:00 pm Central Standard Time and ask for CONSUMER SERVICE stating that you are a consumer with a problem. Please refer to model number FAC800TO/FAC800TOB when you call.

**In-Warranty Service (USA):** For an appliance covered under the warranty period, no charge is made for service or postage. Call for return authorization 1 (888) 881-8101.

**Out-of Warranty Service:** A flat rate charge by model is made for out-of-warranty service. Include \$10.00 (U.S.) for return shipping and handling. We will notify you by mail of the amount of the charge for service and require you to pay in advance for the repair or replacement.

**For Products Purchased in the USA, but Used in Canada:** You may return the product insured, packaged with sufficient protection, and postage and insurance prepaid to the USA address listed below. Please note that all customs duty / brokerage fees, if any, must be paid by you and we will require you to pay the cost of customs duty / brokerage fees to us in advance of our performing any service.

**Risk During Shipment:** We cannot assume responsibility for loss or damage during incoming shipment. For your protection, carefully package the product for shipment and insure it with the carrier. Be sure to enclose the following items with your appliance: any accessories related to your problem, your full return address and daytime phone number, a note describing the problem you experienced, a copy of your sales receipt or other proof of purchase to determine warranty status. C.O.D. shipments cannot be accepted.

**To return the appliance, ship to:**

ATTN: Repair Center  
Salton, Inc.  
708 South Missouri Street  
Macon, MO 63552

**To contact us, please write to, call, or email:**

Salton, Inc.  
P.O. Box 7366  
Columbia, MO 65205-7366  
1-888-881-8101  
E-mail: Farberware-electric@Saltonusa.com

**Limitation of Remedies:** No representative or person is authorized to assume for Salton, Inc. any other liability in connection with the sale of our products. There shall be no claims for defects or failure of performance or product failure under any theory of tort, contract or commercial law including, but not limited to negligence, gross negligence, strict liability, breach of warranty and breach of contract. Repair, replacement or refund shall be the sole remedy of the purchaser under this warranty, and **in no event shall Salton be liable for any incidental or consequential damages, losses or expenses.** Some states do not allow the exclusion or limitation of incidental or consequential damages, so the above limitation or exclusion may not apply to you.

**Legal Rights:** This warranty gives you specific legal rights, and you may also have other rights which vary from state to state.

For more information on Salton products, visit our website: [www.eSalton.com](http://www.eSalton.com)

©2004 Salton, Inc. All rights reserved.

FARBERWARE® is a registered trademark of Farberware Inc.®

Manufactured and sold pursuant to a license from Farberware Inc.®

## Free Manuals Download Website

<http://myh66.com>

<http://usermanuals.us>

<http://www.somanuals.com>

<http://www.4manuals.cc>

<http://www.manual-lib.com>

<http://www.404manual.com>

<http://www.luxmanual.com>

<http://aubethermostatmanual.com>

Golf course search by state

<http://golfingnear.com>

Email search by domain

<http://emailbydomain.com>

Auto manuals search

<http://auto.somanuals.com>

TV manuals search

<http://tv.somanuals.com>