

READ AND SAVE THESE INSTRUCTIONS

WARNING: A risk of fire and electrical shock exists in all electrical appliances and may cause personal injury or death. Please follow all safety instructions.

AUTOMATIC MILL & BREW™

**USE AND CARE GUIDE FOR
MODELS MEMB1W, MEMB1B
AND MEMB1CAN**



IMPORTANT SAFEGUARDS

When using electrical appliances, basic safety precautions should always be followed to reduce the risk of fire, electric shock and injury to persons, including the following:

- Read all instructions before using appliance.
- Do not touch hot surfaces. Use handle.
- Do not immerse cord, plug or coffeemaker base in water or other liquid. See instructions for cleaning.
- This appliance is not for use by children.
- Close supervision is necessary when any appliance is used near children.
- Unplug from outlet when not in use. Unplug and allow to cool before attaching or removing parts and before cleaning the appliance.
- Do not let cord hang over edge of table or counter or touch hot surfaces.
- Do not place on or near a hot gas or electric burner or in a heated oven.
- Do not use appliance except as indicated in these instructions.
- Decanter must never be used on a range top. Use only the designated decanter for your coffeemaker.
- Do not set a hot decanter on a wet or cold surface.
- Do not use a cracked decanter or a decanter having a loose or weakened handle.
- Do not clean decanter with abrasive cleaners, steel wool pads or other abrasive material.
- Do not remove lid or covers during brewing cycle, scalding may occur.
- Allow mill/brew basket to cool before removing it from appliance.
- To disconnect, press stop button, then remove plug from wall outlet.
- Do not move entire unit when decanter contains hot liquid.
- Do not operate any damaged appliance. Do not operate with a damaged cord or plug, or after the appliance malfunctions or has been dropped or damaged in any manner. Return appliance to the nearest authorized service center for examination, repair, electrical or mechanical adjustment.
- Use accessory attachments only if recommended by manufacturer.
- Be certain lids and covers are securely in place before operating appliance.
- Do not use outdoors or while standing in a damp area.
- **WARNING:** Do not remove bottom cover. No user serviceable

Safeguards (*Continued*)

parts inside. Repair must be done by authorized service personnel only.

- The mill is intended for processing small quantities of coffee beans only for immediate consumption. This appliance is not intended to prepare large quantities of ground coffee at one time.
- **WARNING:** To prevent injury from hot overflow, replace decanter within 20 seconds, if removed during brewing. Pour slowly when full.
- Check mill/brew chamber for presence of foreign objects before using.
- Blades are sharp. Handle carefully.
- Do not attempt to defeat the cover interlock mechanism.
- Avoid contacting moving parts.
- Do not open Mill/Brew assembly lid until blades stop and brewing is complete.

SAVE THESE INSTRUCTIONS

THIS APPLIANCE IS FOR HOUSEHOLD USE ONLY

CAUTION: A short power supply cord is provided to reduce the risk of personal injury resulting from becoming entangled in or tripping over a longer cord. Extension cords are available from local hardware stores and may be used if care is exercised in their use. If an extension cord is required, special care and caution is necessary. Also the cord must be: (1) marked with an electrical rating of 125 V, and at least 13 A, 1625 W, and (2) the cord must be arranged so that it will not drape over the countertop or tabletop where it can be pulled on by children or tripped over accidentally.

POLARIZED PLUG: This appliance has a polarized plug, (one blade is wider than the other). As a safety feature to reduce the risk of electrical shock, this plug is intended to fit in a polarized outlet only one way. If the plug does not fit fully in the outlet, reverse the plug. If it still does not fit, contact a qualified electrician. Do not attempt to defeat this safety feature.

ELECTRIC POWER: If the electric circuit is overloaded with other appliances, your appliance may not operate properly. It should be operated on a separate electric circuit from other operating appliances.

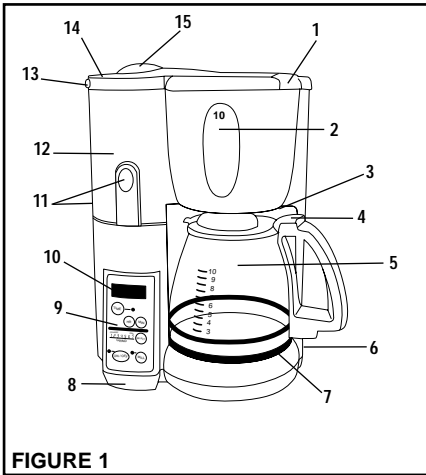


FIGURE 1

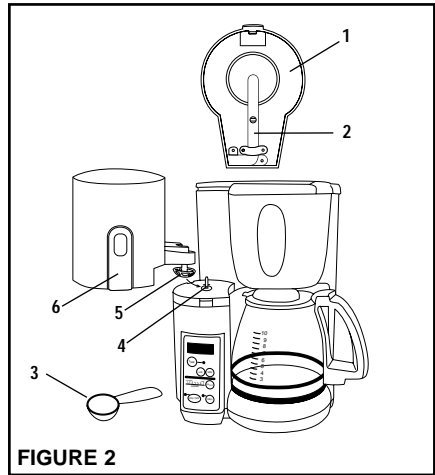


FIGURE 2

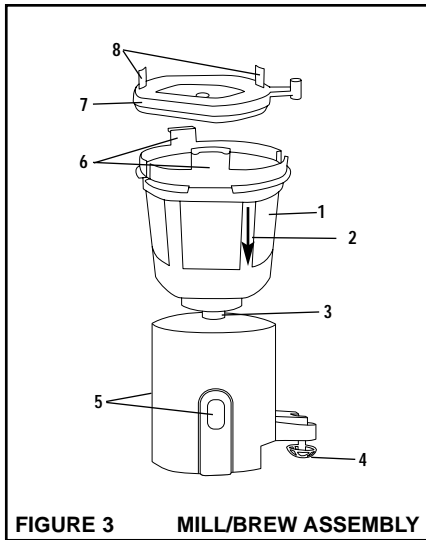


FIGURE 3 MILL/BREW ASSEMBLY

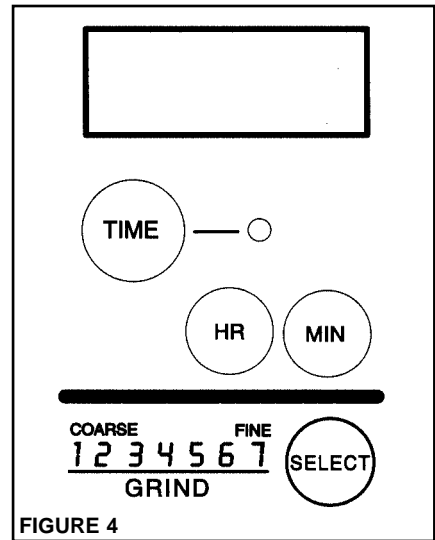


FIGURE 4

FIGURE 1

1. Reservoir Cover
2. Water Window
3. Pause and Pour
4. Decanter Lid
5. Decanter
6. Cord Storage
7. Warming Plate
8. Coffeemaker Base
9. Control Panel
10. LED Display
11. Lock Buttons
12. Mill and Brew Assembly
13. Mill/Brew Assembly Lock
14. Mill/Brew Assembly Lid
15. View Window

FIGURE 2

1. Mill/Brew Assembly Lid
2. Spreader Tube
3. Measuring Spoon
4. Motor Grinder Pin
5. Pause and Pour
6. Locking Buttons

FIGURE 3

1. Mill/Brew Basket
2. Maximum Fill Level
3. Blades
4. Pause and Pour
5. Lock Buttons
6. Basket Tabs
7. Mill/Brew Basket Lid
8. Mill/Brew Basket Tabs

Before Using Your Mill & Brew Coffeemaker

CAUTION: UNPLUG FROM OUTLET

COFFEEMAKER: Clean the decanter and its lid, mill/brew basket and its lid, and mill/brew assembly. See Care and Cleaning. Fill the coffeemaker with the maximum amount of water and no coffee and turn the unit ON. See Brewing. Unplug coffeemaker and discard the water. Wait 10 minutes to allow heating elements to cool. Repeat this process one more time.

CAUTION: DO NOT IMMERSE CORD, PLUG OR COFFEEMAKER BASE IN WATER OR OTHER LIQUID.

CAUTION: BLADES ARE SHARP. DO NOT ATTEMPT TO DISASSEMBLE MILL & BREW ASSEMBLY.

Setting the Clock

1. Set the clock for actual time of day. Press and hold "HR" button for 2 seconds. The LED display will flash and unit will enter into the clock-setting mode. Press "HR" and "MIN" buttons to set correct time. Small dot in upper left corner of display signifies A.M. No dot indicates P.M. The clock display will flash 5 times, then stop. The time is now set.

Brewing Instructions

CAUTION: DO NOT FILL MILL/BREW BASKET WITH MORE THAN 8 SPOONS OR 2½ OUNCES OF COFFEE BEANS. ARROW ON BASKET INDICATES MAXIMUM CAPACITY. **DO NOT FILL MILL/BREW BASKET WITH MORE THAN 8 SPOONS OR 2¾ OUNCES OF GROUND COFFEE.**

1. Plug into 120V-60 Hz outlet. You do not have to set clock or timer to brew.
2. Fill decanter with cold water and pour desired number of cups into water reservoir. Use markings on water window to gauge level of water required to brew desired number of 5-ounce cups. The number 10 at the top indicates maximum 10-cup yield. Replace decanter on warming plate.
3. Open mill/brew assembly lid and grasp mill/brew basket tabs to remove basket lid. Place 1 measuring spoon roasted whole bean

Brewing Instructions (*Continued*)

coffee in mill/brew basket per every two cups of coffee desired. Replace lid. Make sure basket is firmly seated in assembly, lid on basket is secured and lid to assembly is closed before attempting to operate unit.

NOTE: You may substitute ground coffee for coffee beans by turning off the mill. To do so, push the Mill button. The light will come on. Place ground coffee into mill/brew basket. Use approximately 1 tablespoon of grounds per cup of coffee.

4. You are now ready to initiate the automatic mill and brew process. (If you wish to use the delay timer so you can program the coffeemaker to mill and brew later, please read section entitled “Programming the Timer” to make coffee later.

Programming the Mill

CAUTION: DO NOT OPEN UNTIL BLADES STOP AND BREWING IS COMPLETE. CLEAN AND DRY ALL PARTS AFTER EACH USE.

If you desire a medium grind, your machine is automatically preset to “4” or medium grind; refer to step 2 below. If you wish to program a finer or coarser grind, start with step 1.

1. To set the mill to grind your beans to the desired level of coarseness, press SELECT button to select different coarseness levels, 1-7. Seven levels of coarseness are available. Coarseness is determined by length of time milled—the longer the time, the finer the grind. Setting 1 will mill the beans for 15 seconds. Setting 7 will mill the beans for 40 seconds. For medium grind, try setting 4 (if you do not select a setting, the unit will automatically default to setting 4). Make sure mill light is off.
2. Press ON button to initiate the mill/brew process; the red ON light will come on. Mill will start. After mill stops, unit will automatically switch to brewing operation. To interrupt milling or brewing, press OFF button. Red ON light will then turn off. Do not attempt to lift mill/brew lid until operation has come to a complete stop.
3. After brewing is complete, remove decanter from warming plate and serve. Coffeemaker warming plate will cycle on and off to maintain proper coffee temperature for one hour before it automatically shuts off and the red ON light turns off.
4. Unplug and allow unit to cool for 10 minutes between cycles. Allow to cool completely before attempting to clean.

Programming the Mill (*Continued*)

NOTE: After unit is turned off or automatically shuts off after one hour, mill coarseness setting will default to level 4 or medium grind. Coarseness setting will also default to level 4 in the event of power interruption.

Programming the Timer to Make Coffee Later

You can program the timer to automatically mill and brew coffee up to 24 hours in advance.

1. Press and hold the TIME button for 2 seconds. The green TIME light will come on and display will read 12:00. The unit is now in the timer programming mode.
2. Press “HR” and “MIN” buttons to program start time. Small dot in upper left corner signifies clock is programmed for A.M. No dot in upper left corner means clock is programmed for P.M.
3. The timer display and LED light will flash 5 times to indicate that timer is now set. Press and release the TIME button. The green TIME light will come on.

NOTE: If unit is operated before programmed time, timer will need to be reset. To do this, simply depress TIME button. LED light will come on to indicate timer has been reset.

IMPORTANT: If programming timer to future start time, make sure water tank has been filled and mill/brew basket contains the correct amount of beans.

Care and Cleaning

CAUTION: ALWAYS UNPLUG UNIT BEFORE CLEANING AND ALLOW TO COOL FOR 15 MINUTES BEFORE ATTEMPTING TO CLEAN. NEVER USE SCOURING AGENTS. NEVER IMMERSE MACHINE IN LIQUIDS. NEVER CLEAN MACHINE UNDER RUNNING WATER.

Decalcification of Your Mill & Brew Coffeemaker

For best tasting coffee, and to promote longer use of your Mill & Brew, follow the procedure for decalcification every month, or after 30 uses. If you have hard water, you may notice a slowing of the brewing process—an indication that you should decalcify more frequently.

Care and Cleaning (*Continued*)

1. Press OFF button.
2. Unplug and allow to cool completely before cleaning.
3. Wash and dry all removable parts.

CAUTION: DO NOT IMMERSE CORD, PLUG OR COFFEEMAKER UNIT IN WATER OR OTHER LIQUID.

CAUTION: BLADES ARE SHARP. HANDLE CAREFULLY.

4. Special cleaning of the coffeemaker is recommended at least once a month, depending on frequency of use and quality of water. Mineral deposits can form a coating in the coffeemaker. This may cause an off flavor in the water and may lengthen brewing time.
5. Fill the decanter with 1 cup of vinegar and add 3 cups cold water. Pour into water reservoir.
6. Make sure mill/brew basket and assembly are securely in place and lid is closed.
7. Place decanter on warming plate.
8. Press ON button.
9. Halfway through brewing, press the OFF button. Carefully remove the decanter and place on a heat resistant surface. Wait 15 minutes and pour solution back into water reservoir.
10. Press ON button. Allow all solution to empty into decanter. After dripping stops, press OFF button and discard solution.
11. Allow coffeemaker to cool 10 minutes. Rinse it out by brewing a decanter full of cold water. Discard water.
12. Wash, rinse and dry decanter and lid.
13. You may also use a commercial cleaner made for automatic coffeemakers.
14. When coffeemaker has cooled, wipe exterior housing with a damp cloth.

Any servicing requiring disassembly other than the above cleaning must be performed by an authorized service center.

Mill & Brew Assembly

Never attempt to disassemble the grinder. If you wish to empty the mill/brew basket to refill with different beans, pour beans out, then fill with new beans. There will always be some ground coffee remaining in the basket.

Troubleshooting Guide

- If mill/brew lid is opened during brewing cycle, ON/OFF LED will flash. To restart brewing process, reclose mill/brew lid.
- To position or remove the mill/brew assembly, press inward on the indentations on top of the lock buttons. Open mill/brew lid and lift up if removing, or place into position and then release lock buttons. If basket is properly seated and locked onto the base unit, the mill/brew and assembly will not move.

NOTES

IMPORTANT NOTICE

*If any parts are missing or defective,
DO NOT return this product.*

Please call our Customer Service Department for assistance.

800-233-9054 Monday - Friday 9:00 am - 5:00 pm CST

Thank You

ONE-YEAR LIMITED WARRANTY

This Salton, Inc. product warranty extends to the original consumer purchaser of the product.

Warranty Duration: This product is warranted to the original consumer purchaser for a period of one (1) year from the original purchase date.

Warranty Coverage: This product is warranted against defective materials or workmanship. This warranty is void if the product has been damaged by accident, in shipment, unreasonable use, misuse, neglect, improper service, commercial use, repairs by unauthorized personnel or other causes not arising out of defects in materials or workmanship. This warranty is effective only if the product is purchased and operated in the USA, and does not extend to any units which have been used in violation of written instructions furnished by Salton, Inc., or to units which have been altered or modified or to damage to products or parts thereof which have had the serial number removed, altered, defaced or rendered illegible.

Warranty Disclaimers: This warranty is in lieu of all warranties expressed or implied and no representative or person is authorized to assume for Salton, Inc. any other liability in connection with the sale of our products. There shall be no claims for defects or failure of performance or product failure under any theory of tort, contract or commercial law including, but not limited to, negligence, gross negligence, strict liability, breach of warranty and breach of contract.

Warranty Performance: During the above one-year warranty period, a product with a defect will be either repaired or replaced with a reconditioned comparable model (at Salton, Inc. option) when the product is returned to the Salton, Inc. facility within the warranty period and an additional one-month period. No charge will be made for such repair or replacement.

Service and Repair

Should the appliance malfunction, you should first call toll-free 1-800-233-9054 between the hours of 9:00 am and 5:00 pm Central Standard Time and ask for CUSTOMER SERVICE stating that you are a consumer with a problem.

In-Warranty Service (USA) for an appliance covered under the warranty period, no charge is made for service or postage.

In-Warranty Service (Canada) for an appliance covered under the warranty period, no charge is made for service or postage. Please return the product insured, packaged with sufficient protection, and postage and insurance prepaid to the address listed below. Customs duty/brokerage fee, if any, must be paid by the consumer.

Out-of-Warranty Service: A flat rate charge by model is made for out-of-warranty service.

Include \$15.00 (U.S.) for return shipping and handling.

Salton, Inc. cannot assume responsibility for loss or damage during incoming shipment. For your protection, carefully package the product for shipment and insure it with the carrier. Be sure to enclose the following items with your appliance: any accessories related to your problem; your full return address and daytime phone number; a note describing the problem you experienced; a copy of your sales receipt or other proof of purchase to determine warranty status. C.O.D. shipments cannot be accepted.

Return the appliance to:

ATTN: Repair Department, Salton, Inc.
550 Business Center Drive
Mt. Prospect, IL 60056
Consumer Service: 1-800-233-9054
Consumer Parts: 1-800-947-3745
Hours: 9:00 a.m. - 5:00 p.m. CST

For more information on Salton, Inc. products:

visit our website: URL <http://www.salton-maxim.com> or
E-mail us at SALTON550@aol.com

This Melitta product is distributed and serviced by Salton, Inc.

Printed in China

© 2000 Salton, Inc.

Part No. 60485

Free Manuals Download Website

<http://myh66.com>

<http://usermanuals.us>

<http://www.somanuals.com>

<http://www.4manuals.cc>

<http://www.manual-lib.com>

<http://www.404manual.com>

<http://www.luxmanual.com>

<http://aubethermostatmanual.com>

Golf course search by state

<http://golfingnear.com>

Email search by domain

<http://emailbydomain.com>

Auto manuals search

<http://auto.somanuals.com>

TV manuals search

<http://tv.somanuals.com>