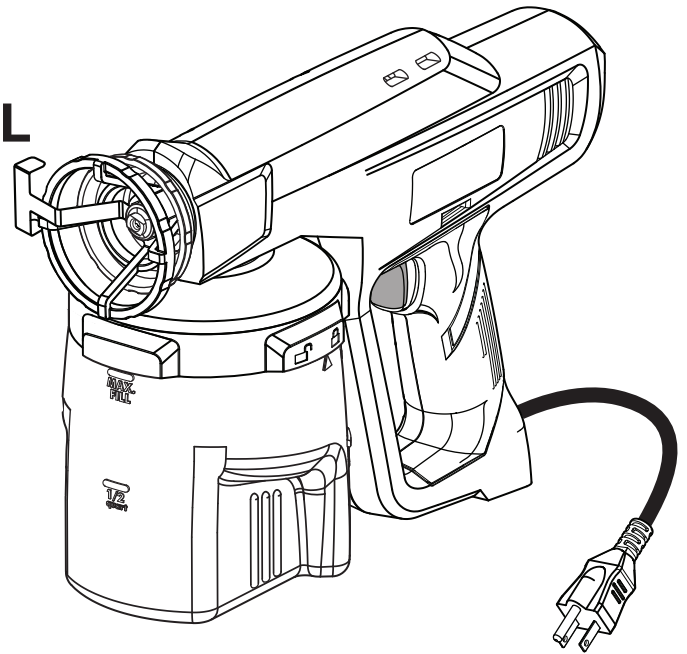




OPERATOR'S MANUAL
MANUEL D'UTILISATION
MANUAL DEL OPERADOR
POWER PAINT SPRAYER TOOL
PISTOLET À PEINDRE ÉLECTRIQUE
ROCIADOR ELÉCTRICO DE PINTURA
SSP0501



Your power paint sprayer tool has been engineered and manufactured to our high standard for dependability, ease of operation, and operator safety. When properly cared for, it will give you years of rugged, trouble-free performance.

! WARNING: To reduce the risk of injury, the user must read and understand the operator's manual before using this product.

Thank you for your purchase.

SAVE THIS MANUAL FOR FUTURE REFERENCE

Cette pistolet à peindre électrique a été conçue et fabriquée conformément à nos strictes normes de fiabilité, simplicité d'emploi et sécurité d'utilisation. Correctement entretenue, elle vous donnera des années de fonctionnement robuste et sans problème.

! AVERTISSEMENT : Pour réduire les risques de blessures, l'utilisateur doit lire et veiller à bien comprendre le manuel d'utilisation avant d'employer ce produit.

Merci de votre achat.

**CONSERVER CE MANUEL POUR
FUTURE RÉFÉRENCE**

Su herramienta para rociador eléctrico de pintura ha sido diseñado y fabricado de conformidad con nuestras estrictas normas para brindar fiabilidad, facilidad de uso y seguridad para el operador. Con el debido cuidado, le brindará muchos años de sólido y eficiente funcionamiento.

! ADVERTENCIA: Para reducir el riesgo de lesiones, el usuario debe leer y comprender el manual del operador antes de usar este producto.

Le agradecemos su compra.

**GUARDE ESTE MANUAL PARA
FUTURAS CONSULTAS**

TABLE OF CONTENTS

■ Introduction	2
■ Warranty	2
■ Important Safety Instructions	3
■ Specific Safety Rules.....	4
■ Symbols.....	5
■ Electrical	6
■ Features.....	7
■ Assembly.....	7
■ Operation.....	8-9
■ Maintenance.....	10
■ Troubleshooting.....	11
■ Figure Numbers (Illustrations).....	12-13
■ Parts Ordering / Service	Back page

INTRODUCTION

This product has many features for making its use more pleasant and enjoyable. Safety, performance, and dependability have been given top priority in the design of this product making it easy to maintain and operate.

WARRANTY

RYOBI® POWER TOOL - LIMITED TWO YEAR WARRANTY AND 90 DAY EXCHANGE POLICY

One World Technologies, Inc., warrants its RYOBI® power tools with the following conditions:

90-DAY EXCHANGE POLICY: During the first 90 days after date of purchase, you may either request service under this warranty or you may exchange any RYOBI® power tool which does not work properly due to defective workmanship or materials by returning the power tool to the dealer from which it was purchased. To receive a replacement power tool or requested warranty service, you must present proof of purchase and return all original equipment packaged with the original product. The replacement power tool will be covered by the limited warranty for the balance of the two year period from the date of the original purchase.

WHAT THIS WARRANTY COVERS: This warranty covers all defects in workmanship or materials in your RYOBI® power tool for a period of two years from the date of purchase. With the exception of batteries, power tool accessories are warranted for ninety (90) days. Batteries are warranted for two years.

HOW TO GET SERVICE: Just return the power tool, properly packaged and postage prepaid, to an Authorized Service Center. You can obtain the location of the Service Center nearest you by contacting a service representative at One World Technologies, Inc., P.O. Box 1207, Anderson, SC 29622-1207, by calling 1-800-525-2579 or by logging on to www.ryobitools.com. When you request warranty service, you must also present proof of purchase documentation, which includes the date of purchase (for example, a bill of sale). We will repair any faulty workmanship, and either repair or replace any defective part, at our option. We will do so without any charge to you. We will complete the work in a reasonable time, but, in any case, within ninety (90) days or less.

WHAT'S NOT COVERED: This warranty applies only to the original purchaser at retail and may not be transferred. This warranty only covers defects arising under normal usage and does not cover any malfunction, failure or defects resulting from misuse, abuse, neglect, alteration, modification or repairs by other than Authorized Service Centers. One World Technologies, Inc. makes no warranties, representations or promises as to the quality or performance of its power tools other than those specifically stated in this warranty.

ADDITIONAL LIMITATIONS: Any implied warranties granted under state law, including warranties of merchantability or fitness for a particular purpose, are limited to two years from the date of purchase. One World Technologies, Inc. is not responsible for direct, indirect, or incidental damages, so the above limitations and exclusions may not apply to you. This warranty gives you specific legal rights, and you may also have other rights which vary from state to state.

IMPORTANT SAFETY INSTRUCTIONS



WARNING:

SAVE THESE INSTRUCTIONS. To reduce the risks of fire or explosion, electric shock, and the injury to persons, read and understand all instructions included in this manual. Be familiar with the controls and the proper usage of the equipment.

READ ALL INSTRUCTIONS

- **KNOW YOUR POWER TOOL.** Read the operator's manual carefully. Learn the machine's applications and limitations as well as the specific potential hazards related to this tool.

WARNING: To reduce the risk of fire or explosion:

- Do not spray flammable or combustible materials near an open flame or sources of ignition such as cigarettes, motors, and electrical equipment.
- For units intended for use with only water-based or mineral spirit-type materials with a minimum flash point of 60°C (140°F), do not spray or clean with liquids having a flash point less than 60°C (140°F).
- Paint or solvent flowing through the equipment is able to result in static electricity. Static electricity creates a risk of fire or explosion in the presence of paint or solvent fumes. All parts of the spray system, including the pump, spray gun, and objects in and around the spray area shall be properly grounded to protect against static discharge and sparks.
- Verify that all containers and collection systems are grounded to prevent static discharge.
- Connect to a grounded outlet and use grounded extension cords. Do not use a 3-to-2 adapter.
- Do not use a paint or a solvent containing halogenated hydrocarbons.
- Keep spray area well ventilated. Keep a good supply of fresh air moving through the area. Keep pump assembly in a well-ventilated area.
- Do not smoke in the spray area.
- Do not operate light switches, engines, or similar spark-producing products in the spray area.
- Keep area clean and free of paint or solvent containers, rags, and other flammable materials.

- Know the contents of the paints and solvents being sprayed. Read all Material Safety Data Sheets (MSDS) and container labels provided with the paints and solvents. Follow the paint and solvent manufacturer's safety instructions.

- Fire extinguisher equipment shall be present and working.

WARNING: To reduce the risk of skin injection:

- Do not aim the nozzle at, or spray any person or animal.
- Keep hands and other body parts away from the discharge. For example, do not try to stop leaks with any part of the body.
- Always use the spray tip. Do not spray without spray tip in place.
- Only use a spray tip specified by the manufacturer.
- Use caution when cleaning and changing spray tips. In the case where the spray tip clogs while spraying, follow the manufacturer's instructions for turning off the unit before removing the spray tip to clean.
- Do not leave the unit energized while unattended. When the unit is not in use, turn off the unit in accordance with the manufacturer's instructions.
- High pressure spray is able to inject toxins into the body and cause serious bodily injury. In the event that injection occurs, seek medical attention immediately.
- Check parts for signs of damage. Replace any damaged parts.
- This system is capable of producing 2500 psi. Only use replacement parts or accessories that are specified by the manufacturer and that are rated a minimum of 2500 psi.
- Know how to stop the unit quickly. Be thoroughly familiar with the controls.
- Verify that all connections are secure before operating this unit.
- For household use only.

WARNING: To reduce the risk of injury:




- Do not operate or spray near children. Keep children away from equipment at all times.
- Do not overreach or stand on an unstable support. Keep effective footing and balance at all times.
- Stay alert and watch what you are doing.
- Do not operate the unit when fatigued or under the influence of drugs or alcohol.

SPECIFIC SAFETY RULES




- **Keep guards in place** and in working order. Never operate the tool with any guard or cover removed. Make sure all guards are operating properly before each use.
- **To reduce the risk of injury**, keep children and visitors away. All visitors should wear safety glasses and be kept a safe distance from work area.
- **Keep the area of operation clear of all persons**, particularly small children, and pets.
- **Use right tool.** Don't force tool or attachment to do a job it was not designed for. Don't use it for a purpose not intended.
- **Do not operate the equipment while barefoot or when wearing sandals or similar lightweight footwear.** Wear protective footwear that will protect your feet and improve your footing on slippery surfaces.
- **Exercise caution to avoid slipping or falling.**
- **Always wear eye protection with side shields marked to comply with ANSI Z87.1.** Following this rule will reduce the risk of serious personal injury.
- **Use only recommended accessories.** The use of improper accessories may cause risk of injury.
- **Follow the maintenance instructions specified in this manual.**
- **Check damaged parts.** Before further use of the tool, a guard or other part that is damaged should be carefully checked to determine that it will operate properly and perform its intended function. Check for alignment of moving parts, binding of moving parts, breakage of parts, mounting, and any other conditions that may affect its operation. A guard or other part that is damaged must be properly repaired or replaced by an authorized service center to avoid risk of personal injury.
- **Never leave tool running unattended. Turn power off.** Don't leave tool until it comes to a complete stop.
- **Be thoroughly familiar with controls.** Know how to stop the product quickly.
- **Keep tool dry, clean, and free from oil and grease.** Always use a clean cloth when cleaning. Never use brake fluids, gasoline, petroleum-based products, or any solvents to clean tool.
- **Do not use tool if switch does not turn it off.** Have defective switches replaced by an authorized service center.
- **Before cleaning, repairing, or inspecting**, shut off the motor and make certain all moving parts have stopped.
- **Avoid dangerous environment.** Don't use in damp or wet locations or expose to rain. Keep work area well lit.
- **Never direct a paint stream toward people or pets, or any electrical device.**
- **Never start the machine** if ice has formed in any part of the equipment.
- **WARNING: High pressure spray can be dangerous if subject to misuse.** The spray must not be directed at persons, animals, electrical devices, or the machine itself.
- **Keep away from hot parts.**
- **Check bolts and nuts** for looseness before each use. A loose bolt or nut may cause serious motor problems.
- **Before storing, allow the product to cool.**
- **Store in a cool, well-ventilated area**, safely away from spark and/or flame-producing equipment.
- **When servicing use only identical replacement parts.** Use of any other parts may create a hazard or cause product damage.
- **Never use the sprayer without a spray tip installed.**
- **An injection injury can lead to possible amputation.** See a physician immediately.
- **Never put your hand in front of the spray tip when in use.** Gloves will not always provide protection against an injection injury.
- **Wear clothing to keep paint off skin and hair, along with a mask or respirator during use.** Paints, solvents, and other materials can be harmful if inhaled or if they come into contact with the body.
- **Always unplug the sprayer and shut the unit off before servicing, cleaning the tip or guard, changing the tip, or leaving unattended.**
- **Plastic can cause sparks. Never hang plastic to enclose a spray area.** Do not use plastic drop cloths when spraying flammable materials.
- **Do not spray outdoors on windy days.**
- **Do not attempt to clean or unclog the spray tip with your finger.**
- **Save these instructions.** Refer to them frequently and use them to instruct other users. If you loan someone this tool, loan them these instructions also.

SYMBOLS

The following signal words and meanings are intended to explain the levels of risk associated with this product.

SYMBOL	SIGNAL	MEANING
	DANGER:	Indicates an imminently hazardous situation, which, if not avoided, will result in death or serious injury.
	WARNING:	Indicates a potentially hazardous situation, which, if not avoided, could result in death or serious injury.
	CAUTION:	Indicates a potentially hazardous situation, which, if not avoided, may result in minor or moderate injury.
	CAUTION:	(Without Safety Alert Symbol) Indicates a situation that may result in property damage.

Some of the following symbols may be used on this product. Please study them and learn their meaning. Proper interpretation of these symbols will allow you to operate the product better and safer.

SYMBOL	NAME	DESIGNATION/EXPLANATION
	Safety Alert	Indicates a potential personal injury hazard.
	Read The Operator's Manual	To reduce the risk of injury, user must read and understand operator's manual before using this product.
	Eye Protection	Always wear eye protection with side shields marked to comply with ANSI Z87.1.
V	Volts	Voltage
A	Amperes	Current
Hz	Hertz	Frequency (cycles per second)
~	Alternating Current	Type of current
PSI	Pressure	Pressure is measured in pounds per square inch
GPH	Flow Rate	Flow rate is measured in maximum gallons of paint sprayed per hour

CALIFORNIA PROPOSITION 65

WARNING:

This product, and the paints designed to be applied with this product, may contain chemicals, including lead, known to the State of California to cause cancer, birth defects, or other reproductive harm. **Wash hands after handling.**

ELECTRICAL

EXTENSION CORDS

Be sure to use an extension cord that has the capacity to handle the current the product will draw. An undersized cord will cause a drop in line voltage, resulting in overheating and loss of power. Use the chart to determine the minimum wire size required in an extension cord. Only round jacketed cords listed by Underwriter's Laboratories (UL) should be used.

When working outdoors with a product, use an extension cord that is designed for outside use. This type of cord is designated with "W-A" or "W" on the cord's jacket.

Before using any extension cord, inspect it for loose or exposed wires and cut or worn insulation.

A proper extension cord is available at an authorized service center.

If two extension cords are needed, knot them together to prevent them from becoming disconnected during use. Make the knot as shown in figure 1, then connect the plug end of one extension cord into the receptacle end of the other.

**Ampere rating (on product data plate)

Cord Length	Wire Size (A.W.G.)					
	0-2.0	2.1-3.4	3.5-5.0	5.1-7.0	7.1-12.0	12.1-16.0
25'	16	16	16	16	14	14
50'	16	16	16	14	14	12
100'	16	16	14	12	10	—

**Used on 12 gauge - 20 amp circuit.

NOTE: AWG = American Wire Gauge

WARNING:

Keep the extension cord clear of the working area. Position the cord so that it will not get caught on lumber, tools, or other obstructions while you are working with a power tool. Failure to do so can result in serious personal injury.

WARNING:

Check extension cords before each use. If damaged replace immediately. Never use the product with a damaged cord since touching the damaged area could cause electrical shock resulting in serious injury.

ELECTRICAL CONNECTION

This product is powered by a precision-built electric motor. It should be connected to a power supply that is **120 V, AC only (normal household current), 60 Hz**. Do not operate this product on direct current (DC). A substantial voltage drop will cause a loss of power and the motor will overheat. If the product does not operate when plugged into an outlet, double check the power supply.

GROUNDING INSTRUCTIONS

See Figure 1, page 12.

This product must be grounded. In the event of a malfunction or breakdown, grounding provides a path of least resistance for electric current to reduce the risk of electric shock. This product is equipped with an electric cord having an equipment-grounding conductor and a grounding plug. The plug must be plugged into a matching outlet that is properly installed and grounded in accordance with all local codes and ordinances.

Do not modify the plug provided. If it will not fit the outlet, have the proper outlet installed by a qualified electrician.

WARNING:

Improper installation of a grounded plug increase the risk of electric shock. When repair or replacement of the cord or plug is required, take the tool to an authorized service center.

Check with a qualified electrician or service personnel if the grounding instructions are not completely understood, or if in doubt as to whether the product is properly grounded.

Repair or replace a damaged or worn cord immediately.

This product is for use on a nominal 120 V circuit and has a grounding plug similar to the plug illustrated in figure 1. Only connect the product to an outlet having the same configuration as the plug. Do not use an adapter with this product.

FEATURES

PRODUCT SPECIFICATIONS

Flow Rate	5.0 GPH
Container Size	1.0 qt.
Input	120 V, 60 Hz, AC only, 1.4 Amp

KNOW YOUR POWER PAINT SPRAYER

See Figure 2, page 12.

The safe use of this product requires an understanding of the information on the product and in this operator's manual as well as a knowledge of the project you are attempting. Before use of this product, familiarize yourself with all operating features and safety rules.

INNOVATIVE MOTOR DESIGN

The innovative motor design means less vibration and noise when using your sprayer.

QUICK-LOCK PAINT CONTAINER

The quick-lock paint container is easy to install and remove.

SPRAY TIP

The spray tip provided allows you to choose between two different spray patterns – vertical and horizontal.

ASSEMBLY

UNPACKING

This product has been shipped completely assembled.

- Carefully remove the product and any accessories from the box. Make sure that all items listed in the packing list are included.

WARNING:

Do not use this product if it is not completely assembled or if any parts appear to be missing or damaged. Use of a product that is not properly and completely assembled could result in serious personal injury.

- Inspect the product carefully to make sure no breakage or damage occurred during shipping.
- Do not discard the packing material until you have carefully inspected and satisfactorily operated the product.
- If any parts are damaged or missing, please call 1-800-525-2579 for assistance.

PACKING LIST

Power Paint Sprayer with Quick-Lock Container
Replacement Atomizer Valve Assembly
Cleaning Brush
Lubricant
Operator's Manual

WARNING:

If any parts are damaged or missing do not operate this product until the parts are replaced. Use of this product with damaged or missing parts could result in serious personal injury.

WARNING:

Do not attempt to modify this product or create accessories not recommended for use with this product. Any such alteration or modification is misuse and could result in a hazardous condition leading to possible serious personal injury.

WARNING:

Do not connect to power supply until assembly is complete. Failure to comply could result in accidental starting and possible serious personal injury.

OPERATION

WARNING:

Do not allow familiarity with this product to make you careless. Remember that a careless fraction of a second is sufficient to inflict serious injury.

WARNING:

Always wear eye protection with side shields marked to comply with ANSI Z87.1. Failure to do so could result in fluids entering your eyes resulting in possible serious injury.

WARNING:

Do not use any attachments or accessories not recommended by the manufacturer of this product. The use of attachments or accessories not recommended can result in serious personal injury.

APPLICATIONS

You may use this product for the purpose listed below:

- Interior and exterior painting and staining of decks, outdoor furniture, fences, and walls

WARNING:

Risk of fire or explosion. Spray area must be well-ventilated and away from sparks or flames.

FILLING SPRAYER WITH PAINT/STAIN

See Figures 3 - 4, page 12.

Remove and discard any skin that has formed on top of the paint or stain, then thoroughly mix the material in its original container before beginning.

NOTE: Older containers of stain and paint may need to be strained before use.

- Unplug the sprayer.
- Remove the quick-lock container by twisting counter-clockwise so that the arrow on the container lines up with the “unlock” symbol on the lid.
- Fill the container with paint or stain as desired. Do not fill above the max fill mark on the container.
- Reinstall the container on the sprayer and twist clockwise so that the arrow on the container lines up with the “lock” symbol on the lid.

WARNING:

To reduce the risk of injection, do not point sprayer at any part of the body or person. In case of skin injection, seek medical attention immediately. Do not use without spray tip in place.

OPERATING THE SPRAYER

See Figures 5 - 7, page 13.

- Ensure surface to be painted is free of dust, dirt, and grease.
- Mask or cover any areas not intended to be painted or stained. Be aware of wind that may cause your paint or stain to spray into areas not desired. Always use drop cloths or other cover to protect areas that are not intended to be painted or stained.
- Place a line of lubricant on the piston. To gain access to the piston, follow the instructions in **Cleaning the Sprayer for Storage** in the *Maintenance* section of this manual.
- Re-assemble the spray tip assembly.
- The tip guard may be set to spray paint in either a horizontal or vertical pattern.
- To change direction of the spray, slightly loosen the wide fan tip by rotating counter-clockwise 1/4 turn. Rotate the adjusting arm 1/4 turn in the direction needed to switch the direction of the tip spray. While holding the adjusting arm in position, rotate the wide fan tip clockwise until securely tightened.
- Fill the quick-lock paint container with no more than 1.0 quart of desired paint or stain.
- Plug in the sprayer.
- Pull the switch trigger to spray paint. Release the switch trigger to stop paint spray.
- Practice spraying on a piece of scrap material to test your spray pattern and to prime the pump before beginning. If you cannot get a good spray pattern with an even amount of paint or stain throughout, refer to the *Troubleshooting* section later in this manual.

NOTE: The pump must be primed after every paint change and at first use after storing. Spray paint at a scrap surface for at least 20 seconds to prime.

OPERATION

- To create an even coating over the entire surface:
 - Move your arm at a steady rate of speed and make sure to move your entire arm, not just your wrist.
 - Keep the sprayer an even distance from the area being sprayed, which should be between 8 to 10 inches from the tip of the sprayer to the surface being sprayed.
 - Depress the trigger to begin the spray off the material you want to paint. Operate the sprayer in straight horizontal or vertical strokes across the surface being painted, then release the trigger off the material to end the stroke.

NOTE: For spray quality consistency when using thinner paints, it may be necessary to keep the trigger depressed between strokes.

- When finished, unplug the sprayer, return any unused paint or stain to its original container, and thoroughly clean the sprayer.

CAUTION:

It is important to thoroughly clean the sprayer after each use or when changing colors. Allowing paint or stain to remain in an idle tool for an extended period can cause its moving pieces to seize up.

WARNING:

Do not clean with any flammable liquids such as paint stripper, paint remover, brush cleaner, mineral spirits, lacquer thinner, turpentine, acetone, gasoline, kerosene, etc.

CLEANING THE SPRAYER AFTER USE

The solution used to clean the sprayer is determined by the type of material that has been sprayed. For anything other than latex material, follow the material manufacturer's directions for appropriate clean-up.

To clean the sprayer for short term storage:

- Unplug the sprayer.
- If you haven't already done so, remove the paint container and return any unused paint or stain to its original container.
- Fill the paint container with lukewarm water (for water based paints) or non-flammable solvent (for oil-based paints or varnish, or any other non-flammable paint thinner (following the use of oil-based products).
- Reinstall the paint container.
- Plug in the sprayer.
- Spray the solution onto a piece of cardboard or other scrap material. Continue spraying until all the solution is used.
- Unplug the sprayer.
- Place a line of lubricant on the piston. To gain access to the piston, follow the instructions in **Cleaning the Sprayer for Storage** in the *Maintenance* section of this manual.
- Use a damp cloth to wipe the exterior of the sprayer. The unit is now ready to put away.

MAINTENANCE

WARNING:

When servicing, use only identical replacement parts. Use of any other parts can create a hazard or cause product damage.

WARNING:

Always wear eye protection with side shields marked to comply with ANSI Z87.1. Failure to do so could result in fluids entering your eyes resulting in possible serious injury.

GENERAL MAINTENANCE

NOTE: Always unplug the unit before attempting a service operation.

Avoid using solvents when cleaning plastic parts. Most plastics are susceptible to damage from various types of commercial solvents and may be damaged by their use. Use clean cloths to remove dirt, dust, oil, grease, etc.

WARNING:

Do not at any time let brake fluids, gasoline, penetrating oils, etc., come in contact with plastic parts. Chemicals can damage, weaken, or destroy plastic which could result in serious personal injury.

CLEANING THE SPRAYER FOR STORAGE

See Figures 8 - 9, page 13.

When you've finished your project and are ready to store the sprayer, a thorough cleaning and lubrication is recommended.

- Unplug the sprayer.
- Remove the paint container.
- If you haven't already done so, return any unused paint or stain to its original container.
- Fill the paint container with lukewarm water (for water based paints) or non-flammable solvent (for oil-based paints or varnish), or any other non-flammable paint thinner (following the use of oil-based products).
- Reinstall the paint container.
- Plug in the sprayer.
- Spray the solution onto a piece of cardboard or other scrap material. Continue spraying until all the solution is used.
- Unplug the sprayer.
- Remove the paint container.
- Remove the suction tube and filter.

- Remove the installed spray tip by turning it counterclockwise.
- Remove the atomizer valve assembly.
- Remove the locking nut by turning it counterclockwise.
- Slide the pump housing assembly/container lid forward off the sprayer.
- Pull the piston and spring off the pump housing.
- Using the provided cleaning brush and a solution determined by the last type of paint or stain sprayed, clean all of the above parts thoroughly.
NOTE: Make sure to scrub thoroughly inside the pump housing opening so that no paint or stain material is left behind.
- Clean the vent hole in the pump housing using a straightened paper clip or toothpick.

To reassemble:

- Place a line of lubricant on the piston.
NOTE: Once the provided lubricant has been used, vegetable oil or a similar type of oil may be substituted.
- Slide the spring back onto the piston.
- Insert the piston and spring assembly inside the back of the pump housing.
- Replace the pump housing assembly/container lid into the sprayer.
- Replace the locking nut on the motor housing by pushing in while rotating clockwise to secure.
- Insert the atomizer valve assembly into the pump housing front opening.
- Replace the spray tip and rotate clockwise to secure.
- Reinstall the suction tube and filter.
- Reinstall the paint container.
- The sprayer is now ready to be stored.

REPLACING THE ATOMIZER VALVE ASSEMBLY

See Figure 10, page 13.

The atomizer valve causes the paint or stain material to spin as it comes out of the sprayer. After 7 to 10 gallons of paint or stain, the atomizer valve may no longer produce a good spray pattern and may need to be replaced.

To replace:

- Unplug the sprayer.
- Rotate the spray tip counterclockwise and remove.
- Remove the atomizer valve assembly and discard.
- Install the new atomizer valve assembly.
- Replace the spray tip and rotate clockwise to secure.

TROUBLESHOOTING

PROBLEM	CAUSE	POSSIBLE SOLUTION
Motor does not run.	Sprayer is not plugged in. Breaker is tripped.	Make sure unit is plugged in. Reset breaker.
Motor overheats.	Piston has seized up. Extension cord is too long. Continuous spray operation.	Thoroughly clean the sprayer using long-term storage cleaning instructions in the <i>Maintenance</i> section of this manual. Use only the size extension cord recommended previously in this manual. Release trigger at the end of each pass to allow the motor to cool.
Motor has a low hum but does not spray.	Piston has seized up.	Thoroughly clean the sprayer using long-term storage cleaning instructions in the <i>Maintenance</i> section of this manual.
Motor seems to be running properly but doesn't spray.	Suction tube and filter are loose or damaged. Atomizer valve is clogged or worn out. Material being sprayed is too thick. Plugged spray tip or intake filter; worn piston.	Reinstall or replace suction tube and filter as needed. Clean or replace atomizer valve. Follow material manufacturer's directions and thin material as needed. Thoroughly clean the sprayer and, if necessary, replace piston*, using storage cleaning instructions in the <i>Maintenance</i> section of this manual.
Sprayed material is spitting or globbing up.	Paint container volume is getting low. Material being sprayed is too thick. Suction tube is loose. Atomizer valve is clogged or worn out. Worn spray tip or piston. Material being sprayed has been shaken and has air pockets	Refill paint container. Follow material manufacturer's directions to thin material as needed. Reinstall suction tube securely. Clean or replace atomizer valve. Clean or replace spray tip or piston*. Allow paint to sit for approximately 1 hour.
Paint/stain spray overspray is excessive.	Spray tip is too far from the surface being sprayed.	Hold sprayer closer to the surface being sprayed.
Paint/stain runs or sags on the work surface.	Proper paint methods not being observed.	Refer to Operating the Sprayer earlier in this manual.
Paint/stain is leaking behind the spray tip.	Spray tip is loose. Atomizer valve is worn or not positioned properly.	Tighten spray tip. Replace or reposition atomizer valve as needed.
Unit will not prime	Atomizer valve is worn	Replace the atomizer valve
Small bead in spray pattern	Moving the sprayer too fast	Slow arm speed down

* Although unlikely, a worn piston is possible. A replacement piston can be purchased by calling customer service at 1-800-525-2579. Follow the instructions in **Cleaning the Sprayer for Storage** to access the piston for replacement.

NOTE: FIGURES (ILLUSTRATIONS) START ON PAGE 12 AFTER FRENCH AND SPANISH LANGUAGE SECTIONS.

TABLE DES MATIÈRES

■ Introduction	2
■ Garantie	2
■ Instructions importantes concernant la sécurité	3
■ Règles de sécurité particulières	4
■ Symboles	5
■ Caractéristiques électriques	6
■ Caractéristiques	7
■ Assemblage	7
■ Utilisation	8-9
■ Entretien	9-10
■ Dépannage	11
■ Figure numéros (illustrations).....	12-13
■ Commande de pièces / réparation.....	Page arrière

INTRODUCTION

Ce produit offre de nombreuses fonctions destinées à rendre son utilisation plus plaisante et satisfaisante. Lors de la conception de ce produit, l'accent a été mis sur la sécurité, les performances et la fiabilité, afin d'en faire un outil facile à utiliser et à entretenir.

GARANTIE

OUTILS ÉLECTRIQUES RYOBI® – GARANTIE LIMITÉE DE DEUX ANS ET POLITIQUE D'ÉCHANGE DE 90 JOURS

One World Technologies, Inc., garantit ses outils électriques dans les conditions suivantes :

POLITIQUE D'ÉCHANGE DE 90 JOURS : En cas de défaillance due à des vices de matériaux ou de fabrication au cours des 90 jours suivant la date d'achat, l'acheteur pourra faire réparer tout outil électrique RYOBI® au titre de cette garantie ou le retourner l'établissement où il a été acheté. Pour obtenir un outil en échange ou demander la réparation en garantie, l'équipement complet devra être retourné, dans son emballage d'origine, accompagné d'une preuve d'achat. L'outil fourni en échange sera couvert par la garantie limitée pour le restant de la période de validité de deux ans à compter de la date d'achat.

CE QUI EST COUVERT PAR LA GARANTIE : Cette garantie couvre tous les vices de matériaux et de fabrication de cet outil électrique RYOBI®, pour une période de deux ans, à compter de la date d'achat. À l'exception des batteries, les accessoires sont garantis pour une période de quatre-vingt-dix (90) jours. Les piles sont garanties deux ans.

RÉPARATIONS SOUS GARANTIE : Il suffit de retourner l'outil, correctement emballé, en port payé, à un centre de réparations agréé. L'adresse du centre de réparations agréé le plus proche peut être obtenue en contactant un représentant du service après-vente par courrier, à l'adresse One World Technologies, Inc., P.O. Box 1207, Anderson, SC 29622-1207, par téléphone au 1-800-525-2579 ou par courriel, à l'adresse Internet www.ryobitools.com. Lors de toute demande de réparation sous garantie, une preuve d'achat datée (par exemple un reçu de vente) doit être fournie. Nous nous engageons à réparer tous les défauts de fabrication et à réparer ou remplacer, à notre choix, toutes les pièces défectueuses. Les réparations et remplacements seront gratuits. Les réparations sous garantie seront effectuées dans un délai raisonnable, ne dépassant en aucun cas quatre-vingt-dix (90) jours.

CE QUI N'EST PAS COUVERT : La garantie ne couvre que l'acheteur au détail original et n'est pas transférable. Cette garantie ne couvre que les défauts résultant d'une utilisation normale. Elle ne couvre pas les problèmes de fonctionnement, défaillances ou autres défauts résultant d'un usage incorrect ou abusif, de la négligence, de la modification, de l'altération ou de réparations effectuées par quiconque autre qu'un centre de réparations agréé. One World Technologies, Inc. ne fait aucune autre garantie, représentation ou promesse concernant la qualité et les performances de cet outil électrique, autres que celles expressément indiquées dans le présent document.

AUTRES LIMITATIONS : Toutes les garanties implicites accordées par les lois en vigueur, y compris les garanties de valeur marchande ou d'adéquation à un usage particulier, sont limitées à une durée de deux ans, à compter de la date d'achat. One World Technologies, Inc. déclinant toute responsabilité pour les dommages directs ou indirects, les limitations et exclusions peuvent ne pas s'appliquer à chaque acheteur. Cette garantie donne au consommateur des droits spécifiques, et celui-ci peut bénéficier d'autres droits, qui varient selon les états ou provinces.

INSTRUCTIONS IMPORTANTES CONCERNANT LA SÉCURITÉ



AVERTISSEMENT :

CONSERVER CES INSTRUCTIONS. Pour réduire les risques d'incendie ou d'explosion, choc électrique, et la blessure aux personnes lire et veiller à bien comprendre toutes instructions incluses le manuel. Familiarisez-vous avec toutes les commandes et l'utilisation correcte de l'équipement.

LIRE TOUTES LES INSTRUCTIONS

- **APPRENDRE À CONNAÎTRE L'OUTIL.** Lire attentivement le manuel d'utilisation. Apprendre les applications et les limites de l'outil, ainsi que les risques spécifiques relatifs à son utilisation.

AVERTISSEMENT : Pour réduire les risques d'incendie ou d'explosion :

- Ne pas pulvériser de substances inflammables ou combustibles à proximité des flammes vives ou des sources d'inflammation comme les cigarettes, les moteurs et l'équipement électrique.
- Dans le cas des unités uniquement compatibles avec des substances à base d'eau ou avec des essences minérale ayant un point d'éclair de 60 °C (140 °F), ne pulvériser aucun liquide ayant un point d'éclair inférieur à 60 °C (140 °F) et n'effectuer aucune opération de nettoyage avec ce type de liquide.
- La peinture ou le solvant qui circule dans l'équipement peut créer de l'électricité statique. L'électricité statique crée un risque d'incendie ou d'explosion en présence de vapeurs de peinture ou de solvant. Toutes les pièces du système de pulvérisation, y compris la pompe, le pulvérisateur ainsi que les objets se trouvant dans la zone de pulvérisation ou autour de celle-ci, doivent être correctement mises à la terre afin d'assurer une protection contre les décharges statiques et les étincelles.
- S'assurer que tous les contenants et les systèmes de dépoussiérage sont mis à la terre afin d'empêcher une décharge statique.
- Brancher l'outil dans une prise de courant mise à la terre et utiliser des cordons prolongateurs avec mise à la terre. Ne pas utiliser un adaptateur 3 voies vers 2 voies.
- Ne pas utiliser une peinture ou un solvant qui contient des hydrocarbures halogénés.
- L'aire de pulvérisation doit être bien ventilée. S'assurer que le lieu de travail comprend une bonne alimentation en air frais. Garder l'ensemble de pompe dans un endroit bien ventilé.
- Ne pas fumer à proximité du l'aire de pulvérisation.
- Ne pas faire fonctionner les interrupteurs d'éclairage, les moteurs ou d'autres dispositifs produisant des étincelles à proximité du l'aire de pulvérisation.
- Garder le lieu de travail propre et exempt de contenants de peinture ou de solvant, de chiffons et d'autres matériaux inflammables.

- Bien connaître le contenu des peintures et des solvants qui sont pulvérisés. Lire toutes les fiches signalétiques et les étiquettes du contenant fournies avec les peintures et les solvants. Suivre les instructions de sécurité du fabricant concernant les peintures et les solvants.
- On doit retrouver un extincteur sur le lieu de travail et celui-ci doit fonctionner.

AVERTISSEMENT : Pour réduire les risques d'injection:

- Ne pas orienter la buse ou pulvériser en direction des personnes ou des animaux.
- Garder les mains et les autres parties du corps à l'écart de la décharge. Par exemple, ne pas tenter de bloquer une fuite avec une partie du corps.
- Toujours utiliser l'embout de pulvérisation. Ne pas utiliser l'outil si l'embout de pulvérisation n'est pas en place.
- Utiliser seulement un embout de pulvérisation recommandé par le fabricant.
- Faire preuve de prudence au moment de nettoyer et de changer les embouts de pulvérisation. Si l'embout de pulvérisation s'encrasse pendant l'opération, suivre les instructions du fabricant pour éteindre l'unité et relâcher la pression avant de retirer l'embout pour le nettoyer.
- Ne pas laisser l'unité sans surveillance lorsque celle-ci est en marche. Éteindre l'unité lorsqu'elle n'est pas utilisée, conformément aux instructions du fabricant.
- Le pulvérisateur haute pression peut injecter des substances toxiques dans le corps et entraîner des blessures graves. Au cas où ce genre d'injection surviendrait, consulter immédiatement un médecin.
- Vérifier les tuyaux flexibles et les pièces afin de s'assurer qu'ils ne sont pas endommagés. Remplacer tout tuyau flexible endommagé ou toute pièce endommagée.
- Ce système peut produire une pression de 2 500 psi. Utiliser uniquement des pièces de remplacement ou des accessoires recommandés par le fabricant et qui tolèrent une pression nominale de 2 500 psi.
- Savoir comment arrêter rapidement l'unité. Se familiariser avec toutes les commandes.
- S'assurer que tous les raccords sont solides avant d'utiliser cette unité.
- Pour l'usage de ménage seulement.

AVERTISSEMENT : Pour réduire les risques de blessure :




- Ne pas utiliser ou pulvériser le produit à proximité des enfants. Garder les enfants à l'écart de l'équipement en tout temps.
- Ne pas travailler hors de portée ou se tenir sur un support instable. Se tenir bien campé et en équilibre en tout temps.
- Rester attentif et prêter attention au travail.
- Ne pas utiliser cet appareil en cas de fatigue ou sous l'influence de l'alcool ou de drogues.

RÈGLES DE SÉCURITÉ PARTICULIÈRES




- **Maintenir tous les dispositifs de protection en place** et en bon état de fonctionnement. Ne jamais utiliser l'outil avec des couvercles ou dispositifs de protection retirés. S'assurer que tous les dispositifs de protection fonctionnent correctement avant chaque utilisation.
- **Pour réduire les risques de blessures**, garder les enfants et visiteurs à l'écart. Tous les visiteurs doivent porter des lunettes de sécurité et se tenir à bonne distance de la zone de travail.
- **Ne laisser personne approcher la zone de travail**, particulièrement les petits enfants et les animaux domestiques.
- **Utiliser l'outil approprié.** Ne pas utiliser l'outil ou un accessoire pour effectuer un travail pour lequel il n'est pas conçu. Ne pas utiliser l'outil pour une application non prévue.
- **Ne pas faire fonctionner l'équipement pied-nu ou en portant des sandales ou des chaussures légères similaires.** Porter des chaussures de sécurité protégeant les pieds et améliorant l'équilibre sur des surfaces glissantes.
- **Faire preuve de prudence pour éviter de glisser ou tomber.**
- **Toujours porter des lunettes de sécurité avec écrans latéraux.** Les lunettes de vue ordinaires sont munies seulement de verres résistants aux impacts ; ce ne sont **PAS** des lunettes de sécurité.
- **N'utiliser que les accessoires recommandés.** L'emploi de tout accessoire inadapté peut présenter un risque de blessure.
- **Suivre les instructions d'entretien spécifiées dans ce manuel.**
- **Vérifier l'état des pièces.** Avant d'utiliser l'outil de nouveau examiner soigneusement les pièces et dispositifs de protection qui semblent endommagés afin de déterminer s'ils fonctionnent correctement et s'ils remplissent les fonctions prévues. Vérifier l'alignement des pièces mobiles, s'assurer qu'aucune pièce n'est bloquée ou cassée, vérifier la fixation de chaque pièce et s'assurer qu'aucun autre problème ne risque d'affecter le bon fonctionnement de l'outil. Pour éviter les risques de blessures, toute protection ou pièce endommagée doit être correctement réparée ou remplacée dans un centre de réparations agréé.
- **Ne jamais laisser un outil en fonctionnement sans surveillance.** Ne pas s'éloigner de l'outil avant qu'il soit parvenu à un arrêt complet.
- **Se familiariser complètement avec les commandes.** Veiller à savoir arrêter la machine rapidement.
- **Garder l'outil sec, propre et exempt d'huile ou de graisse.** Toujours utiliser un chiffon propre pour le nettoyage. Ne jamais utiliser de liquide de freins, d'essence ou de produits à base de pétrole pour nettoyer l'outil.
- **Ne pas utiliser l'outil si le commutateur ne permet pas de l'arrêter.** Faire remplacer les commutateurs défectueux dans un centre de réparations agréé.
- **Avant de nettoyer, réparer ou inspecter**, couper le moteur et vérifier que toutes les pièces en mouvement sont arrêtées.
- **Éviter les environnements dangereux.** Ne pas utiliser dans des endroits mouillés ou humides, ne pas exposer à la pluie. Garder le lieu de travail bien éclairé.
- **Ne jamais diriger un jet de peinture vers des personnes, des animaux et des appareils électriques.**
- **Ne jamais mettre la machine en marche** si de la glace s'est formée sur quelque partie que ce soit.
- **AVERTISSEMENT : Les pulvérisateurs à haute pression peuvent être dangereux s'ils sont utilisés incorrectement.** Le pulvérisateur ne doit pas être dirigé vers des personnes, animaux, dispositifs électriques ou l'équipement lui-même.
- **Rester à l'écart des pièces brûlantes.**
- **Vérifier le serrage de la boulonnerie** avant chaque utilisation. Un boulon ou écrou desserré peut causer de sérieux problèmes de moteur.
- **Laisser le produit refroidir avant de remiser l'outil.**
- **Remiser dans un endroit frais, bien aéré, à l'écart d'étincelle et/ou d'appareils produisant des flammes.**
- **Utiliser exclusivement des pièces identiques à celles d'origine pour les réparations.** L'usage de toute autre pièce pourrait créer une situation dangereuse ou endommager l'outil.
- **Ne pas utiliser l'outil si l'embout de pulvérisation n'est pas en place.**
- **Les conséquences d'une blessure par injection peuvent aller jusqu'à l'amputation.** Consulter immédiatement un médecin.
- **Ne jamais mettre les mains devant l'embout de pulvérisation pendant l'utilisation.** Le fait de porter des gants ne protège pas toujours l'utilisateur des blessures par injection.
- **Porter des vêtements afin de protéger la peau et les cheveux de la peinture, ainsi qu'un masque ou un respirateur pendant l'utilisation.** Les peintures, les solvants et les autres substances peuvent être dangereux s'ils sont inhalés ou s'ils entrent en contact avec le corps.
- **Toujours débrancher le pulvérisateur, éteindre l'unité avant de procéder à l'entretien ou au nettoyage de l'embout ou du dispositif de protection de l'embout, de changer d'embout, ou de laisser l'unité sans surveillance.**
- **Le plastique peut provoquer des étincelles. Ne jamais suspendre du plastique pour clôturer une aire de pulvérisation.** Ne pas utiliser de toiles de peintre en plastique au moment de pulvériser des substances inflammables.
- **Ne pas pulvériser à l'extérieur lors de journées venteuses.**
- **Ne pas tenter de nettoyer ou de dégraisser l'embout de pulvérisation avec son doigt.**
- **Conserver ces instructions.** Les consulter fréquemment et les utiliser pour instruire d'autres utilisateurs. Si cet outil est prêté, il doit être accompagné de ces instructions.

SYMBOLES

Les termes de mise en garde suivants et leur signification ont pour but d'expliquer le degré de risques associé à l'utilisation de ce produit.

SYMBOLE	SIGNAL	SIGNIFICATION
	DANGER :	Indique une situation extrêmement dangereuse qui, si elle n'est pas évitée, aura pour conséquences des blessures graves ou mortelles.
	AVERTISSEMENT :	Indique une situation potentiellement dangereuse qui, si elle n'est pas évitée, pourrait entraîner des blessures graves ou mortelles.
	ATTENTION :	Indique une situation potentiellement dangereuse qui, si elle n'est pas évitée, pourrait entraîner des blessures légères ou de gravité modérée.
	ATTENTION :	(Sans symbole d'alerte de sécurité) Indique une situation pouvant entraîner des dommages matériels.

Certains des symboles ci-dessous peuvent être présents sur le produit. Veiller à les étudier et à apprendre leur signification. Une interprétation correcte de ces symboles permettra d'utiliser le produit plus efficacement et de réduire les risques.

SYMBOLE	NOM	DÉSIGNATION / EXPLICATION
	Symbole d'alerte de sécurité	Indique un risque de blessure potentiel.
	Lire le manuel d'utilisation	Pour réduire les risques de blessures, l'utilisateur doit lire et veiller à bien comprendre le manuel d'utilisation avant d'utiliser ce produit.
	Protection oculaire	Toujours porter une protection oculaire avec écrans latéraux certifiée conforme à la norme ANSI Z87.1.
V	Volts	Tension
A	Ampères	Intensité
Hz	Hertz	Fréquence (cycles par seconde)
~	Courant alternatif	Type de courant
PSI	Pression	La pression est mesurée en livres par pouce carré
GPH	Débit	Le débit est mesuré selon le nombre de gallons de peinture pulvérisés par heure

PROPOSITION 65 DE LA CALIFORNIE

AVERTISSEMENT :

Ce produit, et les peintures peut contenir des produits chimiques, notamment du plomb, identifiés par l'état de Californie comme causes de cancer, de malformations congénitales et d'autres troubles de l'appareil reproducteur. **Bien se laver les mains après toute manipulation.**

CARACTÉRISTIQUES ÉLECTRIQUES

CORDONS PROLONGATEURS

Assurez-vous d'utiliser un cordon prolongateur de capacité suffisante pour rapporter le courant que le produit soutiendra. Un cordon prolongateur de calibre insuffisant causera une perte de tension et provoquera ainsi une surchauffe et une perte de puissance. Utilisez le tableau pour déterminer le calibre minimum de fil requis pour un cordon prolongateur. Utilisez exclusivement des cordons à gaine cylindrique homologués par Underwriter's Laboratories (UL).

Pour les travaux à l'extérieur, utilisez un cordon prolongateur spécialement conçu à cet effet. La gaine des cordons de ce type porte l'inscription « W-A » ou « W ».

Avant d'utiliser un cordon prolongateur, vérifiez que ses fils ne sont ni détachés ni exposés et que son isolation n'est ni coupée, ni usée.

Il est possible de se procurer une rallonge électrique approuvée dans un centre de service autorisé.

S'il est nécessaire d'utiliser deux cordons prolongateurs, les nouer ensemble pour éviter qu'ils se détachent pendant l'utilisation. Faire le nœud tel qu'illustré à la figure 1 et brancher la fiche d'un des cordons dans la prise de l'autre.

**Intensité nominale (sur la plaquette signalétique de l'outil)

Longueur du cordon	Calibre de fil (A.W.G.)					
	0-2,0	2,1-3,4	3,5-5,0	5,1-7,0	7,1-12,0	12,1-16,0
25'	16	16	16	16	14	14
50'	16	16	16	14	14	12
100'	16	16	14	12	10	—

**Utilisé sur circuit de calibre 12 – 20 A.

NOTE : AWG = American Wire Gauge

AVERTISSEMENT :

Maintenir le cordon prolongateur à l'écart de la zone de travail. Lors du travail avec un cordon électrique, placer le cordon de manière à ce qu'il ne risque pas de se prendre dans les pièces de bois, outils et autres obstacles. Ne pas prendre cette précaution peut entraîner des blessures graves.

AVERTISSEMENT :

Vérifier l'état des cordons prolongateurs avant chaque utilisation. Remplacer immédiatement tout cordon endommagé. Ne jamais utiliser un outil dont le cordon d'alimentation est endommagé car tout contact avec la partie endommagée pourrait causer un choc électrique et des blessures graves.

CONNEXION ÉLECTRIQUE

Cet outil est équipé d'un moteur électrique de précision. Elle doit être branchée uniquement sur une **alimentation 120 V, 60 Hz, c.a. (courant résidentiel standard)**. Ne pas utiliser cet outil sur une source de courant continu (c.c.). Une chute de tension importante causerait une perte de puissance et une surchauffe du moteur. Si l'outil ne fonctionne pas une fois branché, vérifier l'alimentation électrique.

INSTRUCTIONS DE MISE À LA TERRE

Voir figure 1, page 12.

En cas de problème de fonctionnement ou de panne, la mise à la terre fournit un chemin de résistance au courant électrique, pour réduire le risque de choc électrique. Cet outil est équipé d'un cordon électrique avec conducteur et fiche de mise à la terre. Le cordon doit être branché sur une prise correctement installée et mise à la terre conformément à tous les codes et réglementations locaux en vigueur.

Ne pas modifier la fiche fournie. Si elle ne peut pas être insérée dans la prise secteur, faire installer une prise adéquate par un électricien qualifié.

AVERTISSEMENT :

L'usage d'un cordon prolongateur incorrect peut présenter des risques de choc électrique. Si le cordon doit être réparé ou remplacé, ne pas connecter le fil de terre de l'outil sur une borne sous tension. Le fil à gaine verte, avec ou sans traceur jaune est le fil de terre.

Consulter un électricien qualifié ou le personnel de service si les instructions de mise à la terre ne sont pas bien comprises, ou en cas de doute au sujet de la mise à la terre.

Tout cordon endommagé doit être réparé ou remplacé immédiatement.

Ce produit est pour l'usage sur un nominal 120 circuit de volt et a un fonder bouche similaire au bouchon illustré dans la figure 1. Seulement connecter le produit à une sortie ayant la même configuration comme le bouchon. Ne pas utiliser un adaptateur avec ce produit.

CARACTÉRISTIQUES

FICHE TECHNIQUE

Débit.....	18,9 l/h (5,0 gal/h)
Dimensions du réservoir.....	0,95 l (1,0 qt)
Alimentation.....	120 V, 60 Hz, c.a. seulement, 1,4A

VEILLEZ À BIEN CONNAÎTRE LE PISTOLET À PEINDRE ÉLECTRIQUE

Voir la figure 2, page 12.

L'utilisation sûre de ce produit exige une compréhension des renseignements figurant sur l'outil et contenus dans le manuel d'utilisation, ainsi qu'une bonne connaissance du projet entrepris. Avant d'utiliser ce produit, se familiariser avec toutes ses caractéristiques et règles de sécurité.

MOTEUR DE CONCEPTION NOVATRICE

La conception novatrice du moteur permet de réduire les vibrations et le bruit pendant l'utilisation.

RÉSERVOIR DE PEINTURE À VERROUILLAGE RAPIDE

La fonction de verrouillage rapide permet d'installer et de retirer facilement le réservoir de peinture.

CONSEILS SUR LA PULVÉRISATION

Le embout de pulvérisation fournis permettent à l'utilisateur de choisir entre deux formes de jet différentes : horizontale ou verticale.

ASSEMBLAGE

DÉBALLAGE

Ce produit a été expédié complètement assemblé.

- Avec précaution, sortir le produit et les accessoires de la boîte. S'assurer que toutes les pièces figurant sur la liste de contrôle sont incluses.

AVERTISSEMENT :

Ne pas utiliser le produit s'il n'est pas complètement assemblé ou si des pièces semblent manquantes ou endommagées. Le fait d'utiliser un produit assemblé de façon inadéquate ou incomplète peut entraîner des blessures graves.

- Examiner soigneusement le produit pour s'assurer que rien n'a été brisé ou endommagé en cours de transport.
- Ne pas jeter les matériaux d'emballage avant d'avoir soigneusement examiné le produit et avoir vérifié qu'il fonctionne correctement.
- Si des pièces sont manquantes ou endommagées, appeler le 1-800-525-2579.

LISTE DE CONTRÔLE D'EXPÉDITION

Pistolet à peindre électrique avec
réservoir de peinture à verrouillage rapide
Ensemble valve de pulvérisateur de remplacement
Lubrifiant
Brosse de nettoyage
Manuel d'utilisation

AVERTISSEMENT :

Si des pièces manquent ou sont endommagées, ne pas utiliser ce produit avant qu'elles aient été remplacées. Le fait d'utiliser ce produit même s'il contient des pièces endommagées ou s'il lui manque des pièces peut entraîner des blessures graves.

AVERTISSEMENT :

Ne pas essayer de modifier ce produit ou de créer des accessoires non recommandés pour le produit. De telles altérations ou modifications sont considérées comme un usage abusif et peuvent créer des conditions dangereuses, risquant d'entraîner des blessures graves.

AVERTISSEMENT :

Ne pas brancher sur le secteur avant d'avoir terminé l'assemblage. Le non respect de cet avertissement peut causer un démarrage accidentel, entraînant des blessures graves.

UTILISATION

AVERTISSEMENT :

Ne pas laisser la familiarité avec le produit faire oublier la prudence. Ne pas oublier qu'une fraction de seconde d'inattention peut entraîner des blessures graves.

AVERTISSEMENT :

Toujours porter une protection oculaire avec écrans latéraux certifiée conforme à la norme ANSI Z87.1. Le non respect de cette règle peut faire en sorte que des liquides soient projetés dans vos yeux, ce qui peut entraîner des blessures graves.

AVERTISSEMENT :

Ne pas utiliser d'outils ou accessoires non recommandés par le fabricant pour cet outil. L'utilisation de pièces et accessoires non recommandés peut entraîner des blessures graves.

APPLICATIONS

Ce produit peut être utilisé pour l'application ci-dessous :

- Pour peinture ou teinture d'intérieur ou d'extérieur sur patios, meubles d'extérieur, clôtures et murs

AVERTISSEMENT :

Risque d'incendie ou d'explosion. L'aire de pulvérisation doit être ventilée et située à l'écart des étincelles et des flammes.

REEMPLIR LE PISTOLET DE PEINTURE OU DE TEINTURE

Voir les figures 3 et 4, page 12.

Retirer et jeter la pellicule qui s'est formée sur le dessus de la peinture ou de la teinture, puis bien mélanger la substance dans son contenant original avant de débiter l'opération.

NOTE : Il peut être nécessaire de filtrer le contenu des vieux récipients de peinture et de teinture avant de l'utiliser.

- Débrancher le pistolet.
- Retirer le réservoir de peinture à verrouillage rapide en le tournant dans le sens contraire de façon à ce que la flèche du réservoir soit alignée avec le symbole de « déverrouillage » situé sur le couvercle.
- Remplir le réservoir de peinture ou de teinture, au choix. Ne pas dépasser la ligne de remplissage maximal du réservoir.
- Réinstaller le réservoir sur le pistolet et le tourner dans le sens horaire de façon à ce que la flèche du réservoir soit alignée avec le symbole de « verrouillage » situé sur le couvercle.

AVERTISSEMENT :

Pour réduire le risque d'injection, ne pas diriger le pulvérisateur vers soi ou vers quiconque. En cas d'injection cutanée, consulter immédiatement un médecin. Ne pas utiliser l'outil si l'embout de pulvérisation n'est pas en place.

UTILISATION DU PISTOLET

Voir les figures 5 à 7, page 13.

- S'assurer que la surface à peindre est exempte de poussière, de saleté et de graisse.
 - Masquer ou recouvrir les surfaces sur lesquelles on ne prévoit pas appliquer de peinture ou de teinture. Attention au vent; il pourrait entraîner la peinture ou la teinture vers des endroits non désirés. Toujours utiliser une toile de peinture ou un autre recouvrement pour protéger les zones sur lesquelles on ne prévoit pas appliquer de peinture ou de teinture.
 - Placer une pellicule de lubrifiant sur le piston. Pour accéder au piston, suivre les instructions décrites sous **Nettoyage du pulvérisateur aux fins d'entreposage**, à la section *Entretien* du présent manuel.
 - Remonter l'ensemble de l'embout de pulvérisation.
 - Le protecteur d'embout de pulvérisation peut être ajusté pour peindre à l'horizontale ou à la verticale.
 - Pour modifier la trajectoire de l'embout, Desserrer légèrement l'embout en éventail en le tournant 1/4 de tour dans le sens antihoraire. Tourner le bras de réglage d'un quart de tour dans la direction requise pour changer le profil de pulvérisation. Tout en maintenant en place le bras de réglage, tourner l'embout en éventail dans le sens horaire jusqu'à ce qu'il soit serré solidement.
 - Remplir le réservoir à verrouillage rapide avec au maximum 0,95 l (1,0 qt) de la peinture ou de la teinture désirée.
 - Brancher le pistolet.
 - Appuyer sur la gâchette pour pulvériser la peinture. Relâcher la gâchette pour cesser l'opération.
 - S'exercer à pulvériser sur des matériaux de rebut afin de tester le pistolet. S'il est impossible d'obtenir une bonne forme de jet avec une quantité égale de peinture ou de teinture, consulter la section *Dépannage* présentée ultérieurement dans le présent manuel.
- NOTE :** Il est nécessaire d'amorcer la pompe chaque fois que la peinture est changée, ainsi que lors de la première utilisation suivant l'entreposage. Pulvériser la peinture sur une surface de rebut pendant au moins 20 secondes pour amorcer la pompe.

UTILISATION

- Pour créer un revêtement égal sur toute la surface :
 - Déplacer son bras à une vitesse constante et s'assurer de bouger tout le bras, pas seulement le poignet.
 - Garder le pistolet à une distance égale de la zone de pulvérisation, soit de 203,2 mm (8 po) à 254 mm (10 po) entre l'embout du pistolet et la surface à pulvériser.
 - Appuyer sur la gâchette pour commencer à pulvériser l'enduit à appliquer. Utiliser le pistolet en lui faisant effectuer des mouvements horizontaux ou verticaux devant la surface à peindre, puis relâcher la gâchette pour cesser la pulvérisation.

NOTE : Pour assurer une pulvérisation de qualité uniforme avec des peintures plus fluides, il peut être nécessaire de tenir la gâchette enfoncée entre les mouvements.

- Une fois l'opération terminée, débrancher le pistolet, remettre la peinture ou la teinture non utilisée dans son contenant d'origine, et bien nettoyer le pistolet.

ATTENTION :

Il est important de bien nettoyer le pistolet après chaque utilisation ou au moment de changer de couleur. Le fait de laisser de la peinture ou de la teinture dans un outil au repos pendant une longue période peut entraîner le grippage des pièces mobiles de l'appareil.



AVERTISSEMENT :

Ne pas nettoyer l'appareil avec des liquides inflammables comme du décapant pour peinture, du décapeur, du nettoyant pour pinceaux, de l'essence minérale, du diluant à peinture-laque, de la térébenthine, de l'acétone, de l'essence, du kérosène, etc.



AVERTISSEMENT :

Utiliser exclusivement des pièces d'origine pour les réparations. L'usage de toute autre pièce pourrait créer une situation dangereuse ou endommager le produit.



AVERTISSEMENT :

Toujours porter une protection oculaire avec écrans latéraux certifiée conforme à la norme ANSI Z87.1. Le non respect de cette règle peut faire en sorte que des liquides soient projetés dans vos yeux, ce qui peut entraîner des blessures graves.

NETTOYAGE DU PISTOLET APRÈS UTILISATION

La solution utilisée pour nettoyer le pistolet est déterminée en fonction du type de substance pulvérisée. Pour toute autre substance qu'un enduit au latex, suivre les directives du fabricant pour effectuer un nettoyage approprié.

Pour nettoyer le pistolet en vue d'un entreposage à court terme :

- Débrancher le pistolet.
- Si ce n'est déjà fait, retirer le réservoir de peinture et verser toute peinture ou teinture non utilisée dans son contenant d'origine.
- Remplir le réservoir de peinture avec de l'eau tiède (pour les peintures à base d'eau) ou un solvant ininflammable (pour les peintures ou vernis à base d'huile, ou tout autre solvant ininflammable [selon l'utilisation des produits à base d'huile]).
- Réinstaller le réservoir de peinture.
- Brancher le pistolet.
- Pulvériser la solution sur un morceau de carton ou sur un autre matériau de rebut. Continuer de pulvériser jusqu'à ce que toute la solution ait été utilisée.
- Débrancher le pistolet.
- Placer une pellicule de lubrifiant sur le piston. Pour accéder au piston, suivre les instructions décrites sous **Nettoyage du pulvérisateur aux fins d'entreposage**, à la section *Entretien* du présent manuel.
- Utiliser un linge humide pour essuyer l'extérieur du pistolet. L'unité peut maintenant être entreposée.

ENTRETIEN



AVERTISSEMENT :

Utiliser exclusivement des pièces d'origine pour les réparations. L'usage de toute autre pièce pourrait créer une situation dangereuse ou endommager le produit.



AVERTISSEMENT :

Toujours porter une protection oculaire avec écrans latéraux certifiée conforme à la norme ANSI Z87.1. Le non respect de cette règle peut faire en sorte que des liquides soient projetés dans vos yeux, ce qui peut entraîner des blessures graves.

ENTRETIEN GÉNÉRAL

NOTE: Toujours débrancher l'unité avant de tenter d'effectuer un entretien.

Éviter d'utiliser des solvants pour le nettoyage des pièces en plastique. La plupart des matières plastiques peuvent être endommagées par divers types de solvants du commerce. Utiliser un chiffon propre pour éliminer la saleté, la poussière, l'huile, la graisse, etc.

AVERTISSEMENT :

Ne jamais laisser de liquides tels que le fluide de freins, l'essence, les huiles pénétrantes, etc., entrer en contact avec les pièces en plastique. Les produits chimiques peuvent endommager, affaiblir ou détruire le plastique, ce qui peut entraîner des blessures graves.

NETTOYAGE DU PISTOLET AUX FINS D'ENTREPOSAGE

Voir les figures 8 - 9, page 13.

Lorsque le projet est terminé et qu'il temps d'entreposer le pistolet, il est recommandé de bien nettoyer et lubrifier l'outil.

- Débrancher le pistolet.
 - Retirer le réservoir de peinture.
 - Si ce n'est déjà fait, verser toute peinture ou teinture non utilisée dans son contenant d'origine.
 - Remplir le réservoir de peinture avec de l'eau tiède (pour les peintures à base d'eau) ou un solvant ininflammable (pour les peintures ou vernis à base d'huile, ou tout autre solvant ininflammable [selon l'utilisation des produits à base d'huile]).
 - Réinstaller le réservoir de peinture.
 - Brancher le pistolet.
 - Pulvériser la solution sur un morceau de carton ou sur un autre matériau de rebut. Continuer de pulvériser jusqu'à ce que toute la solution ait été utilisée.
 - Débrancher le pistolet.
 - Retirer le réservoir de peinture.
 - Retirer le tube et le filtre de succion et les mettre à l'écart.
 - Retirer l'embout de pulvérisation qui a été installé en le tournant dans le sens antihoraire et le mettre à l'écart.
 - Retirer l'ensemble valve de pulvérisateur et la sellette.
 - Retirer l'écrou de verrouillage en le tournant dans le sens antihoraire.
 - Glisser vers l'avant le couvercle du réservoir/ensemble logement de la pompe et le détacher du pistolet.
 - Tirer le piston et le ressort hors du logement de la pompe.
 - Utiliser la brosse de nettoyage fournie ainsi qu'une solution choisie en fonction du dernier type de peinture ou de teinture pulvérisée; bien nettoyer toutes les pièces mentionnées plus haut.
- NOTE :** S'assurer de bien nettoyer l'intérieur de l'ouverture du logement de la pompe de façon à ce qu'il ne reste aucune trace de peinture ou de teinture.
- Nettoyer l'évent du logement de la pompe à l'aide d'un trombone redressé ou d'un cure-dent.

Pour réassembler l'unité :

- Placer une pellicule de lubrifiant sur le piston.
NOTE : Une fois que le lubrifiant fourni a été utilisé, il est possible d'utiliser de l'huile végétale ou un autre type d'huile.
- Replacer le ressort sur le piston.
- Insérer l'ensemble piston et ressort dans la partie arrière du logement de la pompe.
- Replacer l'ensemble logement de la pompe/couvercle du réservoir sur le pistolet.
- Replacer l'écrou de verrouillage sur le logement du pistolet en le poussant et en le tournant dans le sens horaire afin de le fixer solidement.
- Insérer l'ensemble de valve de pulvérisateur et la sellette dans l'ouverture frontale du logement de la pompe.
NOTE: L'ensemble de valve de pulvérisateur peut être utilisé pour guider la sellette sur le protecteur d'embout de pulvérisation.
- Replacer l'embout de pulvérisation et le tourner dans le protecteur d'embout de pulvérisation afin de le fixer solidement.
- Réinstaller le tube et le filtre de succion.
- Réinstaller le réservoir de peinture.
- Le pistolet est maintenant prêt à être entreposé.

REMPACEMENT DE L'ENSEMBLE VALVE DE PULVÉRISATEUR

Voir la figure 10, page 13.

La valve de pulvérisateur fait en sorte que la peinture ou la teinture subit un mouvement de rotation au moment d'être expulsé du pistolet. Après avoir admis 26,5 l (7 gal) à 37,85 l (10 gal) de peinture ou de teinture, la valve de pulvérisateur peut ne plus produire une bonne forme de jet et doit être remplacée.

Pour procéder au remplacement :

- Débrancher le pistolet.
- Tourner le protecteur d'embout dans le sens contraire aux aiguilles d'une montre puis le retirer.
- Retirer l'ensemble valve de pulvérisateur et le mettre à l'écart.
- Installer le nouvel ensemble valve de pulvérisateur.
- Réinstaller l'embout de pulvérisation et son protecteur et tourner dans le sens des aiguilles d'une montre pour le fixer.

DÉPANNAGE

PROBLÈME	CAUSE	SOLUTION POSSIBLE
Le moteur ne tourne pas.	Le pistolet n'est pas branché. Le disjoncteur est déclenché.	S'assurer que l'unité est branchée. Réenclencher disjoncteur.
Le moteur surchauffe.	Le piston est grippé. Le cordon prolongateur est trop long. Pulvérisation prolongée.	Bien nettoyer le pistolet en suivant les instructions de nettoyage en vue d'un entreposage à long terme présentées à la section Entretien du présent manuel. Utiliser uniquement un cordon prolongateur de la taille recommandée dans le présent manuel. Relâcher la gâchette à la fin de chaque passage afin de permettre au moteur de refroidir.
Le moteur émet un léger bourdonnement mais n'actionne pas la pulvérisation.	Le piston est grippé.	Bien nettoyer le pistolet en suivant les instructions de nettoyage en vue d'un entreposage à long terme présentées à la section Entretien du présent manuel.
Le moteur semble fonctionner correctement mais n'actionne pas la pulvérisation.	Le tube et le filtre de succion sont desserrés ou endommagés. La valve de pulvérisateur est encrassée ou usée. L'enduit pulvérisé est trop épais. L'embout de pulvérisation ou le filtre d'aspiration est bouché; le piston est usé.	Réinstaller ou remplacer le tube et le filtre de succion, au besoin. Nettoyer ou remplacer ensemble la valve de pulvérisateur. Suivre les directives du fabricant pour diluer l'enduit, au besoin. Bien nettoyer le pistolet. Au besoin, remplacer le piston* en suivant les instructions de nettoyage en vue d'un entreposage présentées à la section Entretien du présent manuel.
Le pulvérisateur crachote ou produit des bulles.	Le niveau de peinture dans le réservoir est bas. Le matériau pulvérisé est trop épais. Le tube de succion est desserré. La valve de pulvérisateur est encrassée ou usée. L'embout de pulvérisation ou le piston est usé. Matériel d'être pulvérisé a été ébranlée et a les poches d'air.	Remplir le réservoir de peinture. Suivre les directives du fabricant pour diluer l'enduit, au besoin. Réinstaller solidement le tube de succion. Nettoyer ou remplacer ensemble la valve de pulvérisateur. Nettoyer ou remplacer l'embout de pulvérisation ou le piston*. Laisser la peinture à siéger pendant environ 1 heure.
La perte de peinture ou de teinture à la pulvérisation est excessive.	L'embout de pulvérisation est trop éloigné de la zone de pulvérisation.	Tenir le pistolet près de la zone de pulvérisation.
La peinture ou la teinture coule ou dégouline sur la surface de travail.	Les méthodes de peinture appropriées ne sont pas observées.	Consulter la section intitulée Utilisation du pistolet présentée précédemment dans le présent manuel.
La peinture ou la teinture fuit à l'arrière de l'embout de pulvérisation.	L'embout de pulvérisation est desserré. La valve de pulvérisateur est usée ou n'est pas disposée adéquatement.	Serrer l'embout de pulvérisation. Remplacer la valve de pulvérisateur, au besoin.
L'appareil ne s'amorcera pas	La valve de pulvérisateur est usée	Remplacer la valve de pulvérisateur
Petites billes dans la peinture vaporisée	Mouvement trop rapide du pistolet à peindre	Réduire la vitesse en abaissant le levier

* Bien que cela soit improbable, il est possible que le piston s'use. Pour se procurer un piston de remplacement, communiquer avec le service à la clientèle au numéro suivant : 1-800-525-2579. Suivre les instructions décrites à la section intitulée **Nettoyage du pistolet aux fins d'entreposage** afin d'accéder au piston en vue de procéder au remplacement.

**FIGURES (ILLUSTRATIONS) COMMENÇANT
SUR 12 DE PAGE APRÈS LA SECTION ESPAGNOL.**

ÍNDICE DE CONTENIDO

■ Introducción.....	2
■ Garantía	2
■ Instrucciones de seguridad importantes.....	3
■ Reglas de seguridad específicas.....	4
■ Símbolos.....	5
■ Aspectos eléctricos	6
■ Características.....	7
■ Armado	7
■ Funcionamiento	8-9
■ Mantenimiento.....	9-10
■ Corrección de problemas	11
■ Figura numeras (ilustraciones).....	12-13
■ Pedidos de piezas / Servicio	Pág. posterior

INTRODUCCIÓN

Este producto ofrece numerosas características para hacer más agradable y placentero su uso. En el diseño de este producto se ha conferido prioridad a la seguridad, el desempeño y la fiabilidad, por lo cual se facilita su manejo y mantenimiento.

GARANTÍA

HERRAMIENTAS ELÉCTRICAS RYOBI® – GARANTÍA LIMITADA DE DOS AÑOS Y POLÍTICA DE INTERCAMBIO A LOS 90 DÍAS

One World Technologies, Inc., garantiza sus herramientas eléctricas con las siguientes condiciones:

POLÍTICA DE INTERCAMBIO A LOS 90 DÍAS: Durante los primeros 90 días a partir de la fecha de compra, usted puede solicitar servicio al amparo de esta garantía o puede intercambiar cualquier herramienta eléctrica RYOBI® que no funcione correctamente debido a defectos en los materiales o en la mano de obra, devolviéndola en el establecimiento donde la adquirió. Para recibir la herramienta eléctrica de reemplazo o el servicio de garantía solicitado, debe presentar documentación de prueba de la compra, y devolver el equipo original empaquetado con el producto original. La herramienta eléctrica de reemplazo queda cubierta por la garantía limitada por el resto del período de garantía de dos años a partir de la fecha de la compra original.

LO QUE CUBRE ESTA GARANTÍA: Esta garantía cubre todos los defectos en material y en mano de obra empleados en la herramienta eléctrica RYOBI® por un período de dos años a partir de la fecha de compra. Con excepción de las baterías, los accesorios de las herramientas eléctricas están garantizados por noventa (90) días. Las baterías están garantizadas por dos años.

FORMA DE OBTENER SERVICIO: Simplemente envíe la herramienta eléctrica debidamente empaquetada y con el flete pagado por anticipado a un centro de servicio autorizado. Puede obtener información sobre la ubicación del centro de servicio autorizado más cercano escribiendo a One World Technologies, Inc., P.O. Box 1207, Anderson, SC 29622-1207, USA, llamando al 1-800-525-2579 o dirigiéndose al sitio en Internet, www.ryobitools.com. Al solicitar servicio al amparo de la garantía, debe presentar documentación de prueba de la compra que incluya la fecha de ésta (por ejemplo un recibo de venta). Reparamos toda mano de obra deficiente del producto, y reparamos o reemplazamos cualquier pieza defectuosa, a nuestra sola discreción. Lo hacemos sin cargarle ningún costo al consumidor. Efectuamos el trabajo en un período de tiempo razonable, pero en todo caso en menos de noventa (90) días.

LO QUE NO ESTÁ CUBIERTO: Esta garantía se ofrece exclusivamente al comprador original al menudeo y no puede transferirse. Esta garantía sólo cubre defectos que aparezcan en el uso normal de la herramienta y no cubre ningún malfuncionamiento, falla o defecto producido por el uso indebido, maltrato, negligencia, alteración, modificación o reparación efectuada por terceros diferentes de los centros de servicio autorizados. One World Technologies, Inc. no ofrece ninguna garantía, declaración o promesa en relación con la calidad o el desempeño de sus herramientas eléctricas más que las señaladas específicamente en esta garantía.

LIMITACIONES ADICIONALES: Toda garantía otorgada de conformidad con las leyes estatales, incluidas las garantías de comerciabilidad o idoneidad para un uso en particular, está limitada a dos años a partir de la fecha de compra. One World Technologies, Inc. no es reponsable de daños directos, indirectos o incidentales, por lo tanto es posible que las limitaciones y exclusiones descritas arriba no se apliquen en el caso de usted. Esta garantía le confiere derechos legales específicos, y es posible que usted goce de otros derechos, los cuales pueden variar de estado a estado.

INSTRUCCIONES DE SEGURIDAD IMPORTANTES



ADVERTENCIA:

GUARDE ESTAS INSTRUCCIONES. Para reducir el riesgo de incendio o explosión, descarga eléctrica, y la lesiones a personas, lea y comprenda todas instrucciones incluidas en este manual. Familiarícese con todos los controles y la forma correcta de utilizar la equipo.

LEA TODAS LAS INSTRUCCIONES.

■ FAMILIARÍCESE CON SU HERRAMIENTA ELÉCTRICA.

Lea cuidadosamente el manual del operador. Aprenda sus usos y limitaciones, así como los posibles peligros específicos de esta herramienta.

ADVERTENCIA: Para reducir el riesgo de estallido o explosión:

- No rocíe materiales inflamables ni combustibles cerca de llamas abiertas o fuentes de ignición, como cigarrillos, motores y equipos eléctricos.
- No rocíe ni limpie con líquidos que tengan un punto de inflamación menor a 60 °C (140 °F) las unidades diseñadas para ser utilizadas sólo con materiales a base de agua o de un tipo de alcohol mineral con un punto de inflamación mínimo de 60 °C (140°F).
- La pintura o el solvente que fluyen a través del equipo pueden generar electricidad estática. La electricidad estática produce un riesgo de incendio o explosión en presencia de emanaciones de pintura o de solvente. Todas las partes del sistema rociador, incluida la bomba, el rociador y los objetos situados dentro y alrededor del área de rociado, deberán tener una descarga a tierra adecuada para protegerlas contra descargas de estática y chispas.
- Verifique que todos los contenedores y sistemas para la captación tengan la descarga a tierra adecuada a fin de evitar la descarga de estática.
- Conéctela a una toma de corriente con conexión a tierra y utilice cordones de extensión con conexión a tierra. No utilice un adaptador de 3 a 2.
- No use una pintura o un solvente que contenga hidrocarburos halogenados.
- Mantenga el área de rociado bien ventilada. Mantenga una buena circulación de aire fresco en el área. Mantenga el conjunto de la bomba en un área bien ventilada.
- No fume en el área donde se área de rociado.
- No utilice interruptores de luz, motores o productos similares que produzcan chispas en el área donde se área de rociado.
- Mantenga el área limpia y sin contenedores de pintura o solvente, trapos y otros materiales inflamables.
- Conozca el contenido de las pinturas y los solventes que se rocían. Lea todas las hojas de datos sobre la seguridad de materiales (MSDS) y las etiquetas de los contendores

que se proveen con las pinturas y los solventes. Siga las instrucciones de seguridad del fabricante de la pintura y el solvente.

- Tenga a mano un extinguidor de incendios que funcione.

ADVERTENCIA: Para reducir el riesgo de inyección:




- No apunte la boquilla ni rocíe en dirección a personas ni animales.
 - Mantenga las manos y demás partes del cuerpo lejos de la descarga. Por ejemplo, no intente detener fugas con ninguna parte del cuerpo.
 - Utilice siempre la punta de rociado. No rocíe sin la punta de rociado en su lugar.
 - Utilice únicamente una punta de rociado especificada por el fabricante.
 - Tenga precaución al limpiar y cambiar las puntas de rociado. En el caso en que la punta de rociado se obstruya durante el rociado, siga las instrucciones del fabricante para apagar la unidad y aliviar la presión antes de retirar la punta de rociado para limpiarla.
 - No deje la unidad sin supervisión cuando está activada. Cuando la unidad no está en funcionamiento, apáguela según las instrucciones del fabricante.
 - El rociado a alta presión puede inyectar toxinas en el cuerpo y provocar lesiones corporales graves. En el caso en que se produzca la inyección, busque atención médica de inmediato.
 - Inspeccione que las mangueras y las piezas no muestren señales de daño. Reemplace cualquier manguera o pieza dañada.
 - Este sistema es capaz de producir 2 500 psi. Utilice solamente piezas o accesorios de repuesto especificados por el fabricante y que tengan una capacidad nominal de 2 500 psi, como mínimo.
 - Sepa cómo detener la unidad rápidamente. Familiarícese completamente con los controles.
 - Antes de hacer funcionar la unidad, verifique que todas las conexiones sean seguras.
 - Para uso doméstico únicamente.
- ADVERTENCIA:** Para reducir el riesgo de lesiones:
- No utilice la unidad ni rocíe cerca de los niños. Mantenga alejados a los niños del equipo en todo momento.
 - No se estire demasiado ni se pare sobre un soporte inestable. Mantenga los pies bien asentados y el equilibrio en todo momento.
 - Permanezca alerta y preste atención a lo que esté haciendo.
 - No use la unidad si está cansado o se encuentra bajo los efectos de alguna droga o del alcohol.

REGLAS DE SEGURIDAD ESPECÍFICAS




- **Mantenga las protecciones en su lugar** y en buenas condiciones de trabajo. Nunca utilice la herramienta con ninguna de las protecciones o cubiertas quitadas. Asegúrese de que todas las protecciones estén funcionando de forma correcta antes de utilizar la unidad.
- **Para reducir el riesgo de lesiones**, mantenga a alejados a niños y demás circunstantes. Todos los presentes deben llevar puestos anteojos de seguridad y permanecer a una distancia segura del área de trabajo.
- **Mantenga alejadas del área de trabajo a todas las personas**, particularmente a los niños de corta edad, y también a las mascotas.
- **Use la herramienta adecuada a la tarea.** No fuerce la herramienta ni ningún accesorio a efectuar tareas para las que no están hechos. No la use para propósitos no indicados en las instrucciones.
- **No accione el equipo cuando esté descalzo o al llevar puestas sandalias o calzado liviano similar.** Use calzado de seguridad que le proteja sus pies y mejore su postura en superficies resbaladizas.
- **Tenga suma precaución para evitar resbalarse o caer.**
- **Siempre use gafas de seguridad con protección lateral.** Los anteojos de uso diario tienen lentes resistentes a golpes únicamente; **NO** son anteojos de seguridad.
- **Utilice sólo accesorios recomendados.** El empleo de accesorios inadecuados puede presentar riesgos de lesiones.
- **Siga las instrucciones de la mantenimiento especificadas en este manual.**
- **Inspeccione las piezas dañadas.** Antes de seguir utilizando la herramienta, es necesario inspeccionar cuidadosamente toda protección o pieza dañada para determinar si funcionará correctamente y desempeñará la función a la que está destinada. Verifique la alineación de las partes móviles, que no haya atoramiento de las mismas, que no haya piezas rotas, el montaje de las piezas y cualquier otra condición que pudiera afectar su funcionamiento. Toda protección o pieza que esté dañada debe repararse apropiadamente o reemplazarse en un centro de servicio autorizado.
- **Nunca deje desatendida ninguna herramienta en funcionamiento. Apague la herramienta.** No se aleje de la herramienta hasta no verla completamente detenida.
- **Familiarícese completamente con los controles.** Aprenda a detener la máquina rápidamente.
- **Mantenga la herramienta seca, limpia y libre de aceite y grasa.** Siempre utilice un paño limpio para la limpieza de la unidad. Nunca utilice fluidos para frenos, gasolina, productos a base de petróleo ni solventes para limpiar la herramienta.
- **No utilice la herramienta si el interruptor no apaga.** Lleve todo interruptor defectuoso a un centro de servicio autorizado para que lo reparen.
- **Antes de limpiar, reparar o inspeccionar la máquina,** apague el motor y cerciórese de que se hayan detenido todas las partes en movimiento.
- **Evite tener un entorno de trabajo peligroso.** No utilice herramientas eléctricas en lugares húmedos o mojados ni las exponga a la lluvia. Mantenga bien iluminada el área de trabajo.
- **Nunca dirija un chorro de agua en dirección de personas o animales, ni hacia dispositivos eléctricos.**
- **Nunca ponga en marcha la máquina** si se ha formado hielo en cualquier parte del equipo.
- **ADVERTENCIA: Los chorros de alta presión pueden ser peligrosos si se utilizan indebidamente.** Nunca dirija el chorro a personas, animales, dispositivos eléctricos ni a la máquina misma.
- **Evite el contacto con las partes calientes de la unidad.**
- **Antes de cada uso, inspeccione los pernos y las tuercas** para verificar que están apretados. Una tuerca o perno sueltos pueden causar problemas graves en el motor.
- **Antes de guardar deje que se enfríe el producto.**
- **Guarde la unidad en un lugar frío y bien ventilado,** a una distancia segura de todo equipo generador de chispas o llamas.
- **Al dar servicio a la unidad, sólo utilice piezas de repuesto idénticas.** El empleo de piezas diferentes puede causar un peligro o dañar el producto.
- **Nunca utilice el rociador sin la punta de rociado instalada.**
- **Una lesión por inyección puede ocasionar una posible amputación.** Consulte a un médico de inmediato.
- **Nunca coloque la mano delante de la punta de rociado cuando use la unidad.** Los guantes no siempre brindan protección contra lesiones por inyección.
- **Cuando utilice la unidad, use ropa que no permita que la pintura entre en contacto con la piel ni el cabello, junto con una máscara o un respirador.** Las pinturas, los solventes y otros materiales pueden ser dañinos si se inhalan o si entran en contacto con el cuerpo.
- **Siempre desenchufe el rociador, apague la unidad antes de dar servicio a la unidad, limpiar la punta o la protección, cambiar la punta o dejar desatendida la unidad.**
- **El plástico puede provocar chispas. Nunca utilice plástico para cercar un área de rociado.** No use protecciones de plástico al rociar materiales inflamables.
- **No rocíe en exteriores en días ventosos.**
- **No intente limpiar ni destapar la punta de rociado con el dedo.**
- **Guarde estas instrucciones.** Consúltelas frecuentemente y utilícelas para instruir a otros usuarios. Si presta a alguien esta herramienta, facilítele también las instrucciones.

SÍMBOLOS

Las siguientes palabras de señalización y sus significados tienen el objeto de explicar los niveles de riesgo relacionados con este producto.

SÍMBOLO	SEÑAL	SIGNIFICADO
	PELIGRO:	Indica una situación peligrosa inminente, la cual, si no se evita, causará la muerte o lesiones serias.
	ADVERTENCIA:	Indica una situación peligrosa posible, la cual, si no se evita, podría causar la muerte o lesiones serias.
	PRECAUCIÓN:	Indica una situación potencialmente peligrosa la cual, si no se evita, puede causar lesiones leves o moderadas.
	PRECAUCIÓN:	(Sin el símbolo de alerta de seguridad) Indica una situación que puede producir daños materiales.

Es posible que se empleen en este producto algunos de los siguientes símbolos. Le suplicamos estudiarlos y aprender su significado. Una correcta interpretación de estos símbolos le permitirá utilizar mejor y de manera más segura el producto.

SYMBOL	NAME	DESIGNATION/EXPLANATION
	Alerta de seguridad	Indica un peligro posible de lesiones personales.
	Lea el manual del operador	Para reducir el riesgo de lesiones, el usuario debe leer y comprender el manual del operador antes de usar este producto.
	Protección ocular	Siempre póngase protección ocular con protección lateral con la marca de cumplimiento de la norma ANSI Z87.1.
V	Voltios	Voltaje
A	Amperios	Corriente
Hz	Hertz	Frecuencia (ciclos por segundo)
~	Corriente alterna	Tipo de corriente
PSI	Presión	La presión se mide en libras por pulgada cuadrada
GPH	Caudal	El caudal se mide según la cantidad máxima de galones de pintura que se rocía por hora

CALIFORNIA - PROPUESTA DE LEY NÚM. 65

ADVERTENCIA:

Este producto, y las pinturas diseñaron ser aplicados con este producto, pueden contener los productos químicos, incluyendo el plomo, reconocidas por el estado de California como causantes de cáncer, defectos congénitos y otras afecciones del aparato reproductor. **Lávase las manos después de utilizar el aparato.**

ASPECTOS ELÉCTRICOS

CORDONES DE EXTENSIÓN

Asegúrese de utilizar un cordón de extensión con la suficiente capacidad para soportar la corriente de consumo del producto. Un cordón de un calibre insuficiente causa una caída en el voltaje de línea, la cual a su vez produce recalentamiento y pérdida de potencia. Básese en la tabla suministrada para determinar el grueso mínimo requerido del cordón de extensión. Solamente deben utilizarse cordones con forro redondo registrados en Underwriter's Laboratories (UL).

Al trabajar a la intemperie con un producto, utilice un cordón de extensión fabricado para uso en el exterior. Este tipo de cordón lleva las letras "W-A" o "W" en el forro.

Antes de utilizar un cordón de extensión, inspecciónelo para ver si tiene conductores flojos o expuestos y aislamiento cortado o gastado.

Hay un cordón de extensión adecuado disponible en un centro de servicio autorizado.

Si se necesitan dos cordones de extensión, únalos con un nudo para evitar que se desconecten durante el uso. Haga el nudo como se muestra en la figura 1, luego conecte el extremo de la clavija de uno de los cordones de extensión en el extremo del receptáculo del otro.

**Amperaje (aparece en la placa frontal)

Longitud del cordón	Calibre conductores (A.W.G.)					
	0-2,0	2,1-3,4	3,5-5,0	5,1-7,0	7,1-12,0	12,1-16,0
25'	16	16	16	16	14	14
50'	16	16	16	14	14	12
100'	16	16	14	12	10	—

**Se usa en los circuitos de calibre 12, 20 amp.

NOTA: AWG = Calibre conductores norma americana

ADVERTENCIA:

Mantenga el cordón de extensión fuera del área de trabajo. Al trabajar con una herramienta eléctrica, coloque el cordón de tal manera que no pueda enredarse en la madera, herramientas ni en otras obstrucciones. La inobservancia de esta advertencia puede causar lesiones serias.

ADVERTENCIA:

Inspeccione los cordones de extensión cada vez antes de usarlos. Si están dañados reemplácelos de inmediato. Nunca utilice la herramienta con un cordón dañado, ya que si toca la parte dañada puede producirse una descarga eléctrica, y las consecuentes lesiones serias.

CONEXIÓN ELÉCTRICA

Esta herramienta está impulsada por un motor eléctrico fabricado con precisión. Debe conectarse únicamente a **una línea de voltaje de 120 voltios, 60 Hz, de corriente alterna solamente (corriente normal para uso doméstico)**. No utilice esta herramienta con corriente continua (c.c.). Una caída considerable de voltaje causa la pérdida de potencia y el recalentamiento del motor. Si la sierra no funciona al conectarla en una toma de corriente, vuelva a revisar el suministro de corriente.

INSTRUCCIONES DE CONEXIÓN A TIERRA

Vea la figura 1, página 12.

En caso de un mal funcionamiento o desperfecto, la conexión a tierra brinda a la corriente eléctrica una trayectoria de mínima resistencia para disminuir el riesgo de una descarga eléctrica. Esta herramienta está equipada de un cordón eléctrico con un conductor y una clavija de conexión a tierra para equipo. La clavija debe conectarse en una toma de corriente igual que esté instalada y conectada a tierra correctamente, de conformidad con los códigos y reglamentos de la localidad.

No modifique la clavija suministrada. Si no entra en la toma de corriente, llame a un electricista calificado para que instale una toma de corriente adecuada. Si se conecta de forma incorrecta el conductor de conexión a tierra del equipo puede presentarse un riesgo de descarga eléctrica.

ADVERTENCIA :

Si se conecta de forma incorrecta el conductor de conexión a tierra del equipo puede presentarse un riesgo de descarga eléctrica. Si es necesaria la reparación o reemplazo del cordón eléctrico o de la clavija, no conecte el conductor de conexión a tierra a una terminal portadora de corriente. El conductor con aislamiento que tiene una superficie exterior verde con o sin tiras amarillas es el conductor de conexión a tierra del equipo.

Consulte a un electricista calificado o técnico de servicio si no ha comprendido completamente las instrucciones de conexión a tierra o si no está seguro si la herramienta está bien conectada a tierra.

Repare o reemplace de inmediato todo cordón dañado o gastado.

Este producto se debe usar con un circuito de 120V nominales y tiene una clavija de conexión a tierra similar a la clavija que se muestra en la figura 1. Conecte el producto únicamente a una toma de corriente que tenga la misma configuración que la clavija. No use un adaptador con este producto.

CARACTERÍSTICAS

ESPECIFICACIONES DEL PRODUCTO

Caudal 18,9 lph (5,0 GPH)

Tamaño del contenedor 0,95 l (1,0 cto.)

Corriente de entrada 120 V, 60 Hz, sólo corriente alterna (C.A.), 1,4 A

CONOZCA SU ROCIADOR ELÉCTRICO DE PINTURA

Vea la figura 2, página 12.

Para usar este producto con la debida seguridad se debe comprender la información indicada en la herramienta misma y en este manual, y se debe comprender también el trabajo que intenta realizar. Antes de usar este producto, familiarícese con todas las características de funcionamiento y normas de seguridad del mismo.

NOVEDOSO DISEÑO DEL MOTOR

El novedoso diseño del motor implica menos vibración y ruido al usar su rociador.

CONTENEDOR DE ASEGURAMIENTO RÁPIDO

La característica de aseguramiento rápido permite instalar y eliminar fácilmente el contenedor de pintura.

PUNTAS DE ROCIADO

La punta de rociado suministradas le permiten elegir entre dos patrones de rociado diferentes: vertical y horizontal.

ARMADO

DESEMPAQUETADO

Embarcamos este producto completamente armado.

- Extraiga cuidadosamente de la caja la producto y los accesorios. Asegúrese de que estén presentes todos los artículos enumerados en la lista de empaquetado.

ADVERTENCIA:

No use este producto si no está totalmente ensamblado o si alguna pieza falta o está dañada. Si utiliza un producto que no se encuentra ensamblado de forma correcta y completa, puede sufrir lesiones graves.

- Inspeccione cuidadosamente la producto para asegurarse de que no haya sufrido ninguna rotura o daño durante el transporte.
- No deseche el material de empaquetado hasta que haya inspeccionado cuidadosamente la producto y la haya utilizado satisfactoriamente.
- Si hay piezas dañadas o faltantes, le suplicamos llamar al 1-800-525-2579, donde le brindaremos asistencia.

LISTA DE EMPAQUETADO

Rociador eléctrico de pintura con contenedor de aseguramiento rápido

Conjunto de la válvula atomizadora de repuesto

Lubricante

Cepillo para limpiar

Manual del operador

ADVERTENCIA:

Si falta o está dañada alguna pieza, no utilice este producto sin haber reemplazado la pieza. Usar este producto con partes dañadas o faltantes puede causar lesiones serias al operador.

ADVERTENCIA:

No intente modificar este producto ni hacer accesorios no recomendados para la misma. Cualquier alteración o modificación constituye maltrato el cual puede causar una condición peligrosa, y como consecuencia posibles lesiones corporales serias.

ADVERTENCIA:

No conecte la unidad al suministro de corriente sin haber terminado de armarla. De lo contrario la unidad puede ponerse en marcha accidentalmente, con el consiguiente riesgo de lesiones corporales serias.

FUNCIONAMIENTO

ADVERTENCIA:

No permita que su familiarización con este producto le vuelva descuidado. Tenga presente que un descuido de un instante es suficiente para causar una lesión grave.

ADVERTENCIA:

Siempre póngase protección ocular con protección lateral con la marca de cumplimiento de la norma ANSI Z87.1. La inobservancia de esta advertencia podría ocasionar la entrada de fluidos en sus ojos y provocar lesiones graves.

ADVERTENCIA:

No utilice ningún aditamento o accesorio no recomendado por el fabricante de esta herramienta. El empleo de aditamentos o accesorios no recomendados podría causar lesiones serias.

USOS

Este producto puede emplearse para el fines enumerado abajo:

- Pinturas y barnices para interiores y exteriores para terrazas, muebles de exteriores, cercas y paredes

ADVERTENCIA:

Riesgo de incendio o explosión. El área de rociado debe estar bien ventilada y lejos de chispas o llamas.

LLENADO DEL ROCIADOR CON PINTURA/TINTE

Veá las figuras 3 y 4, página 12.

Retire y deseche cualquier capa que se haya formado en la superficie de la pintura o del tinte, luego mezcle bien el material en su contenedor original antes de comenzar a pintar.

NOTA: Es posible que se deba filtrar los contenedores de tinte y pintura más antiguos antes de usar el rociador.

- Desenchufe el rociador.
- Retire el contenedor de aseguramiento rápido girándolo hacia la izquierda de tal manera que la flecha del contenedor se alinee con el símbolo “desasegurar” de la tapa.
- Llène el contenedor con pintura o tinte según se desee. No llene por encima de la marca de llenado máximo del contenedor.
- Vuelva a instalar el contenedor en el rociador y gírela a la derecha de tal manera que la flecha del contenedor se alinee con el símbolo “asegurar” en la tapa.

ADVERTENCIA:

Para reducir el riesgo de inyección, no apunte el rociador a ninguna parte del cuerpo ni a otra persona. En el caso de inyección en la piel, busque atención médica de inmediato. No utilice la unidad sin la punta de rociado en su lugar.

FUNCIONAMIENTO DEL ROCIADOR

Veá las figuras 5 a 7, página 13.

- Asegúrese de que la superficie que se pintará no tenga polvo, suciedad ni grasa.
 - Tape o cubra cualquier área que no deba ser pintada o teñida. Esté atento al viento que pueda provocar que la pintura o el tinte se rocíen en áreas no deseadas. Utilice siempre protecciones u otras cubiertas para proteger las áreas que no deban pintarse o teñirse.
 - Coloque una línea de lubricante en el pistón. Para tener acceso al pistón, siga las instrucciones en **Cómo limpiar el rociador para almacenamiento** de la sección *Mantenimiento* de este manual.
 - Vuelva a unir el conjunto de la punta de rociado.
 - Puede seleccionar la seguridad de la punta para rociar pintura en el estilo vertical u horizontal.
 - Para cambiar la dirección de rociado, afloje ligeramente la punta ancha en abanico girándola a la izquierda 1/4 de vuelta. Gire el brazo de ajuste 1/4 de vuelta hacia la dirección necesaria para cambiar la dirección del rociado de la punta. Al sostener el brazo de ajuste en su posición, gire la punta ancha en abanico a la derecha hasta que quede firmemente apretada.
 - Llène el contenedor de aseguramiento rápido con no más de 0,95 l (1,0 cto.) de la pintura o el tinte deseados.
 - Enchufe el rociador.
 - Tire del gatillo del interruptor para rociar pintura. Suelte el gatillo del interruptor para detener el rociado de pintura.
 - Practique rociando sobre un pedazo de material de desecho para probar su patrón de rociado y para cebar la bomba antes de comenzar. Si no puede lograr un buen patrón de rociado con una cantidad de pintura o tinte pareja durante toda la aplicación, consulte la sección *Corrección de problemas* que aparece más adelante, en este manual.
- NOTA:** La bomba debe cebarse después de cada cambio de pintura y la primera vez que la utilice después de haber estado guardada. Rocíe pintura en una superficie de desecho durante, al menos, 20 segundos para cebar la bomba.

FUNCIONAMIENTO

- Para producir una capa pareja sobre toda la superficie:
 - Mueva el brazo a una velocidad constante y asegúrese de mover todo el brazo, no solo la muñeca.
 - Mantenga el rociador a una misma distancia del área que se está rociando, que debe ser de entre 203,2 mm (8 pulg.) y 254 mm (10 pulg.) desde la punta del rociador hasta la superficie que se está rociando.
 - Oprima el gatillo para comenzar a rociar el material que desea pintar. Utilice el rociador en recorridos rectos horizontales o verticales sobre la superficie que se está pintando, luego, suelte el gatillo para detener la pulverización.

NOTA: Para obtener una calidad consistente de pulverización cuando se trabaja con pinturas decapantes, puede ser necesario mantener el gatillo oprimido entre cada recorrido.

- Cuando termine, desenchufe el rociador, vuelva a colocar la pintura o el tinte que no haya utilizado en su contenedor original, y limpie bien el rociador.

PRECAUCIÓN:

Es importante limpiar bien el rociador después de cada uso o al cambiar de color. Dejar que la pintura o el tinte permanezcan en una herramienta sin uso durante un período prolongado puede provocar que sus piezas móviles se agarroten.



ADVERTENCIA:

No limpie con líquidos inflamables como decapante para pinturas, quitapinturas, limpiador para brochas, destilados de petróleo, diluyente de laca, trementina, acetona, gasolina, querosene, etc.

LIMPIEZA DEL ROCIADOR DESPUÉS DE UTILIZARLO

La solución que se utiliza para limpiar el rociador se determina según el tipo de material que se ha rociado. Para cualquier otro material que no sea látex, siga las instrucciones del fabricante del material para una limpieza adecuada.

Para limpiar el rociador a fin de guardarlo durante un breve período:

- Desenchufe el rociador.
- Si aún no lo ha hecho, retire el contenedor de pintura y vuelva a colocar toda la pintura o el tinte que no haya utilizado en su contenedor original.
- Llene el envase de pintura con agua tibia (para pinturas a base de agua) o solventes no inflamables (para pinturas o barnices a base de aceite u otro solvente de pintura no inflamable según el uso de productos a base de aceite).
- Vuelva a colocar el contenedor de pintura.
- Enchufe el rociador.
- Rocíe la solución sobre un pedazo de cartón u otro material de desecho. Siga rociando hasta que se haya utilizado toda la solución.
- Desenchufe el rociador.
- Coloque una línea de lubricante en el pistón. Para tener acceso al pistón, siga las instrucciones en **Cómo limpiar el rociador para almacenamiento** de la sección *Mantenimiento* de este manual.
- Utilice un paño húmedo para limpiar la parte exterior del rociador. Ahora, la unidad está lista para guardar.

MANTENIMIENTO



ADVERTENCIA:

Al dar servicio a la unidad, sólo utilice piezas de repuesto idénticas. El empleo de piezas diferentes puede causar un peligro o dañar el producto.



ADVERTENCIA:

Siempre póngase protección ocular con protección lateral con la marca de cumplimiento de la norma ANSI Z87.1. La inobservancia de esta advertencia podría ocasionar la entrada de fluidos en sus ojos y provocar lesiones graves.

MANTENIMIENTO GENERAL

NOTA: Desenchufe siempre la unidad antes de intentar darle servicio.

Evite el empleo de solventes al limpiar piezas de plástico. La mayoría de los plásticos son susceptibles a diferentes tipos de solventes comerciales y pueden resultar dañados. Utilice paños limpios para eliminar la suciedad, el polvo, el aceite, la grasa, etc.



ADVERTENCIA:

No permita en ningún momento que fluidos para frenos, gasolina, aceites penetrantes, etc., lleguen a tocar las piezas de plástico. Las sustancias químicas pueden dañar, debilitar o destruir el plástico, lo cual a su vez puede producir lesiones corporales serias.

LIMPIEZA DEL ROCIADOR PARA GUARDARLO

Vea las figuras 8 - 9, página 13.

Una vez que haya terminado su proyecto y esté listo para guardar el rociador, se recomienda realizarle una buena limpieza y lubricación.

- Desenchufe el rociador.
- Retire el contenedor de pintura.
- Si aún no lo ha hecho, vuelva a colocar toda la pintura o el tinte que no haya utilizado en su contenedor original.
- Llene el envase de pintura con agua tibia (para pinturas a base de agua) o solventes no inflamables (para pinturas o barnices a base de aceite u otro solvente de pintura no inflamable según el uso de productos a base de aceite).
- Vuelva a colocar el contenedor de pintura.
- Enchufe el rociador.
- Rocíe la solución sobre un pedazo de cartón u otro material de desecho. Siga rociando hasta que se haya utilizado toda la solución.
- Desenchufe el rociador.
- Retire el contenedor de pintura.
- Retire el tubo de succión y el filtro y deposítelos a un lado.
- Retire la punta de rociado instalada girándola a la izquierda y deposítela a un lado.
- Retire el conjunto de la válvula atomizadora y la abrazadera de la punta.
- Retire la tuerca de seguridad girándola a la izquierda.
- Deslice el conjunto de alojamiento de la bomba/la tapa del contenedor fuera del rociador.
- Tire del pistón y desprenda el alojamiento de la bomba.
- Con el cepillo para limpiar suministrado y una solución acorde con el último tipo de pintura o tinte que roció, limpie profundamente todas las piezas mencionadas arriba.
NOTA: Asegúrese de restregar bien dentro de la abertura del alojamiento de la bomba de tal manera que no queden restos de materiales de pintura o tinte.
- Limpie el orificio de ventilación del alojamiento de la bomba con un clip para papel enderezado o un mondadientes.

Para volver a armar la unidad:

- Coloque una línea de lubricante en el pistón.
NOTA: Una vez que agotado el lubricante suministrado, se lo puede sustituir con aceite vegetal o otro tipo de aceite.
- Deslice el resorte hacia atrás sobre el pistón.
- Introduzca el pistón y el conjunto del resorte en la parte posterior del alojamiento de la bomba.
- Vuelva a colocar el conjunto del alojamiento de la bomba/la tapa del contenedor dentro del rociador.
- Vuelva a colocar la tuerca de seguridad en el alojamiento del rociador empujándola hacia adentro mientras la gira a la derecha para asegurarla.
- Inserte el conjunto de la válvula atomizadora y la abrazadera de la punta en la apertura frontal del conjunto de alojamiento de la bomba.
NOTA: El conjunto de la válvula atomizadora puede utilizarse para colocar la abrazadera de la punta en la seguridad.
- Reemplace la punta de rociado y la seguridad de la punta y gire en el sentido de las agujas del reloj para asegurarla.
- Vuelva a colocar el tubo de succión y el filtro.
- Vuelva a colocar el contenedor de pintura.
- Ahora, el rociador está listo para guardar.

REEMPLAZO DEL CONJUNTO DE VÁLVULA ATOMIZADORA

Vea la figura 10, página 13.

La válvula atomizadora provoca que el material de pintura o tinte gire cuando sale del rociador. Después de entre 26,5 (7 gal.) y 37,85 l (10 gal.) de pintura o tinte, es posible que la válvula atomizadora deje de realizar un buen patrón de rociado y sea necesario reemplazarla.

Para reemplazar el conjunto:

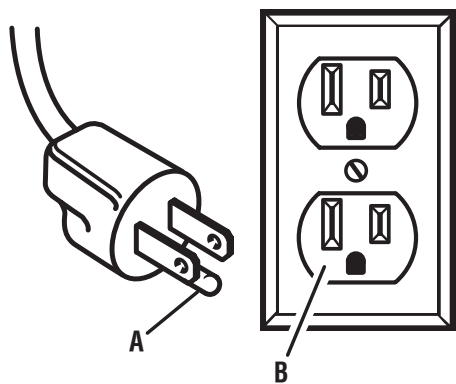
- Desenchufe el rociador.
- Gire la seguridad de la punta en el sentido contrario a las agujas del reloj y luego retírela.
- Retire el conjunto de válvula atomizadora y deséchelo.
- Instale el conjunto de válvula atomizadora nuevo.
- Reemplace la punta de rociado y la seguridad de la punta y gire en el sentido de las agujas del reloj para asegurarla.

CORRECCIÓN DE PROBLEMAS

PROBLEMA	CAUSA	POSIBLE SOLUCIÓN
El motor no funciona.	El rociador no está enchufado. El disyuntor se disparó.	Asegúrese de que la unidad esté enchufada. Reinicie el disyuntor.
El motor se recalienta.	El pistón está agarrotado. El cordón de extensión es demasiado largo. Operación de rociado continua.	Limpie bien el rociador según las instrucciones de limpieza para guardarlo durante un largo período que figuran en la sección <i>Mantenimiento</i> de este manual. Use solo el cordón de extensión del tamaño recomendado anteriormente en este manual. Suelte el gatillo al terminar cada pasada para dejar que el motor se enfríe.
El motor tiene un zumbido bajo, pero no rocía.	El pistón está agarrotado.	Limpie bien el rociador según las instrucciones de limpieza para guardarlo durante un largo período que figuran en la sección <i>Mantenimiento</i> de este manual.
El motor parece estar funcionando adecuadamente pero no rocía.	El tubo de succión y el filtro están flojos o dañados. La válvula atomizadora está obstruida o desgastada. El material que se está rociando es demasiado espeso. La punta de rociado o el filtro de entrada están tapados; pistón desgastado.	Vuelva a instalar o reemplace el tubo de succión y el filtro, según sea necesario. Limpie o reemplace la válvula atomizadora. Siga las instrucciones del fabricante del material para diluir el material, según sea necesario. Limpie bien el rociador y, de ser necesario, reemplace el pistón*, siguiendo las instrucciones de limpieza para guardar la unidad que figuran en la sección <i>Mantenimiento</i> de este manual.
El material rociado salpica o forma globos	El volumen del contenedor de pintura está bajando. El material que se está rociando es demasiado espeso. El tubo de succión está flojo. La válvula atomizadora está obstruida o desgastada. La punta de rociado o el pistón están desgastados. Material de ser rociado ha sido sacudida y tiene bolsas de aire.	Vuelva a llenar el contenedor de pintura. Siga las instrucciones del fabricante del material para diluir el material, según sea necesario. Vuelva a instalar el tubo de succión firmemente. Limpie o reemplace la válvula atomizadora. Limpie o reemplace la punta de rociado o el pistón*. Permitir que la pintura se sentarse durante aproximadamente 1 hora.
El sobrerociado de pintura/tinte es excesivo.	La punta de rociado está demasiado lejos de la superficie que se está rociando.	Sostenga el rociador más cerca de la superficie que está rociando.
La pintura/el tinte se corre o se desprende de la superficie de trabajo.	No se están siguiendo los métodos de pintura adecuados.	Consulte la sección Funcionamiento del rociador que figura anteriormente en este manual.
Hay fugas de pintura/tinte detrás de la punta de rociado.	La punta de rociado está floja. La válvula atomizadora está desgastada o no está colocada adecuadamente.	Apriete la punta de rociado. Vuelva a colocar o a ubicar la válvula atomizadora, según sea necesario.
La unidad no se carga	La válvula atomizadora está gastada	Reemplace la válvula atomizadora
Pequeño cordón en el estilo de rociado	El rociador se está moviendo muy rápido	Brazo lento y velocidad en disminución

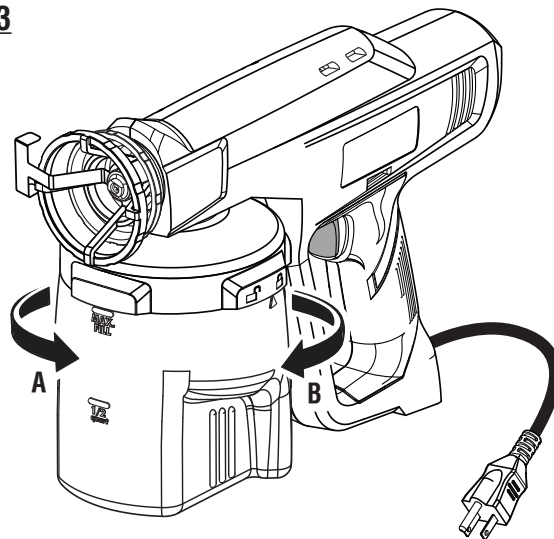
* Aunque sea poco probable, puede tratarse de un pistón desgastado. Se puede comprar un pistón de repuesto llamando al servicio al cliente al 1-800-525-2579. Siga las instrucciones de la sección **Limpieza del rociador para guardarlo para tener acceso al pistón y reemplazarlo.**

Fig. 1



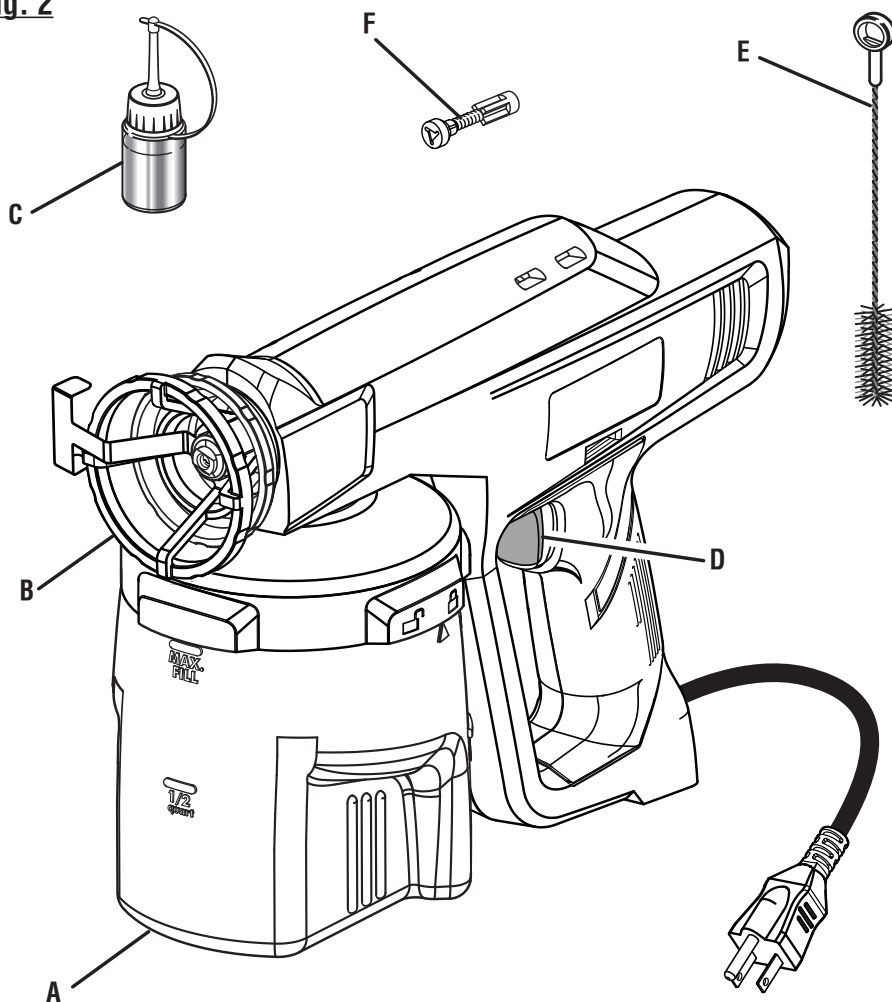
A - Grounding pin (broche de terre, patilla de conexión a tierra)
 B - 120 V grounded outlet (couvercle du boîtier de raccordement, cubierta de la caja de la toma de corriente con conexión a tierra)

Fig. 3



A - Lock (verrouillage, asegurar)
 B - Unlock (déverrouillage, desasegurar)

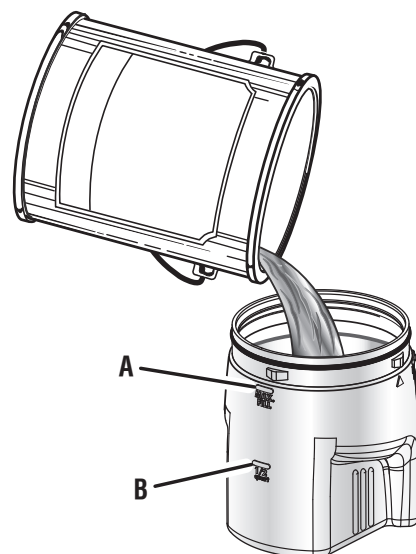
Fig. 2



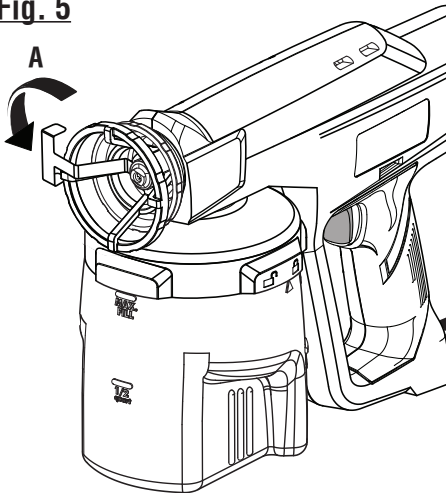
A - 1 quart quick-lock container [réservoir à verrouillage rapide de 1,4 l (1 qt), contenedor de aseguramiento rápido de 1,4 l (1 cto.)]
 B - 12 in. wide fan tip [embout de pulvérisation en éventail de 304,8 mm (12 po), punta ancha en abanico de 304,8 mm (12 pulg.)]
 C - Lubricant bottle (bouteille d'huile, botella de lubricante)

D - Switch trigger (gâchette, gatillo del interruptor)
 E - Cleaning brush (brosse de nettoyage, cepillo para limpiar)
 F - Replacement atomizer valve assembly (ensemble valve de pulvérisateur de remplacement, reemplazo del conjunto de la válvula atomizadora)

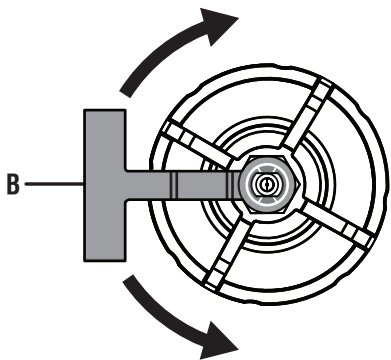
Fig. 4



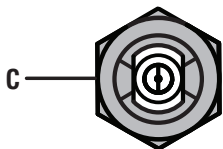
A - Max fill line (ligne de remplissage maximal, línea de llenado máximo)
 B - 1/2 quart fill line (ligne de remplissage 1/2 qt., línea de llenado de 1/2 cuarto)

Fig. 5

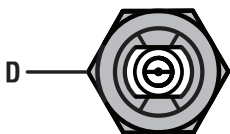
A - Rotate spray tip 1/4 turn counterclockwise to loosen (Tourner l'embout de pulvérisation ¼ de tour dans le sens antihoraire pour le desserrer, Gire la punta de rociado 1/4 de vuelta a la izquierda para aflojarla)



B - Rotate adjusting arm 1/4 turn to change direction of paint spray from horizontal to vertical (tourner le bras de réglage ¼ de tour afin de passer de la pulvérisation horizontale à la pulvérisation verticale, gire el brazo de ajuste 1/4 de vuelta para cambiar la dirección de rociado de la pintura de horizontal a vertical)



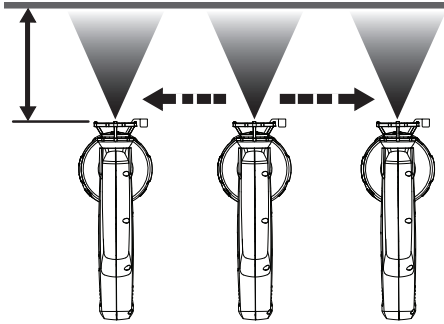
C - Vertical spray pattern (spraying left to right) [pulvérisation vertical (pulvérisation de gauche à droite), patron de rociado vertical (rociado de izquierda a derecha)]



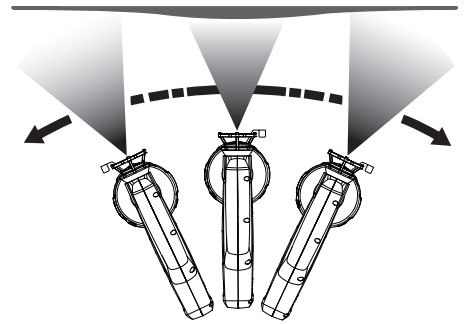
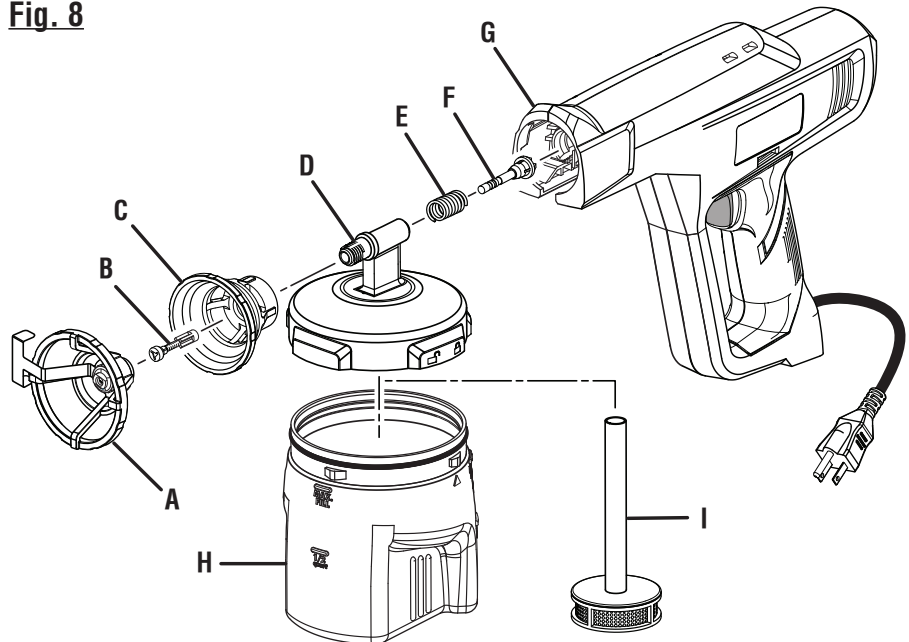
D - Horizontal spray pattern (spraying top to bottom) [pulvérisation horizontale (pulvérisation de haut en bas), rociado horizontal (rociado de arriba a abajo)]

Fig. 6

CORRECT SPRAY TECHNIQUE
(BONNE TECHNIQUE DE PULVÉRISATION,
TÉCNICA DE ROCIADO CORRECTA)

**Fig. 7**

INCORRECT SPRAY TECHNIQUE
(MAUVAISE TECHNIQUE DE PULVÉRISATION,
TÉCNICA DE ROCIADO INCORRECTA)

**Fig. 8**

A - 12 in. wide fan tip [embout de pulvérisation en éventail de 304,8 mm (12 po), punta ancha en abanico de 304,8 mm (12 pulg.)]

B - Atomizer valve assembly (ensemble valve de pulvérisateur, conjunto de válvula atomizadora)

C - Locking nut (écrou de verrouillage, tuerca de seguridad)

D - Pump housing assembly/container lid (couvercle du réservoir/ensemble logement

de la pompe, conjunto de alojamiento de la bomba/tapa del contenedor)

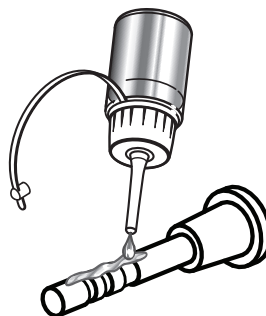
E - Spring (ressort, resorte)

F - Piston (piston, pistón)

G - Sprayer housing (logement du pistolet, alojamiento del rociador)

H - Quick-lock container (réservoir à verrouillage rapide, contenedor de aseguramiento rápido)

I - Suction tube and filter (tube et filtre de succion, tubo de succión y filtro)

Fig. 9

PLACE LINE OF LUBRICANT ON PISTON SHAFT
(PLACER UNE PELLICULE DE LUBRIFIANT SUR L'ARBRE DE PISTON,
PLACER UNA PELLICULA DE LUBRIFIANT SUR L'ARBRE DE PISTON)

Fig. 10

A - Atomizer valve is good (La valve de pulvérisateur est en bon état, La válvula atomizadora está en buen estado)

B - Atomizer valve is bad and needs to be replaced (La valve de pulvérisateur est en mauvais état et doit être remplacée, La válvula atomizadora está en mal estado y necesita ser reemplazada)



OPERATOR'S MANUAL / POWER PAINT SPRAYER TOOL
MANUEL D'UTILISATION / PISTOLET À PEINDRE ÉLECTRIQUE
MANUAL DEL OPERADOR / ROCIADOR ELÉCTRICO DE PINTURA

• **PARTS AND SERVICE**

Prior to requesting service or purchasing replacement parts, please obtain your model and serial number from the product data plate.

- MODEL NUMBER SSP0501
- SERIAL NUMBER _____

• **HOW TO OBTAIN REPLACEMENT PARTS:**

Replacement parts can be purchased online at www.ryobitools.com or by calling 1-800-525-2579. Replacement parts can also be obtained at one of our Authorized Service Centers.

• **HOW TO LOCATE AN AUTHORIZED SERVICE CENTER:**

Authorized Service Centers can be located online at www.ryobitools.com or by calling 1-800-525-2579.

• **HOW TO OBTAIN CUSTOMER OR TECHNICAL SUPPORT:**

To obtain Customer or Technical Support please contact us at 1-800-525-2579.

• **PIÈCES ET SERVICE**

Avant de faire la demande de service ou l'achat de pièces de remplacement, veuillez obtenir le numéro de série du modèle à partir de la plaque de données du produit.

- NUMÉRO DE MODÈLE SSP0501
- NUMÉRO DE SÉRIE _____

• **COMMENT OBTENIR LES PIÈCES DE REMPLACEMENT :**

Les pièces de remplacement peuvent être achetées en ligne sur le site www.ryobitools.com ou par téléphone au 1-800-525-2579. Les pièces de remplacement peuvent être obtenues à un de nos centres de service autorisés.

• **COMMENT TROUVER UN CENTRE DE SERVICE AUTORISÉ :**

Les centres de service autorisés peuvent être localisés en ligne au www.ryobitools.com ou en téléphonant au 1-800-525-2579.

• **COMMENT OBTENIR DE L'AIDE EN CONTACTANT LE SERVICE À LA CLIENTÈLE :**

Pour contacter le service à la clientèle pour une question technique ou pour tout autre renseignement, veuillez nous téléphoner au 1-800-525-2579.

• **PIEZAS DE REPUESTO Y SERVICIO**

Antes de solicitar servicio técnico o comprar piezas de repuesto, obtenga su modelo y número de serie de la placa de datos del producto.

- NÚMERO DE MODELO SSP0501
- NÚMERO DE SERIE _____

• **CÓMO OBTENER PIEZAS DE REPUESTO:**

Las piezas de repuesto se pueden comprar en nuestro sitio en la red mundial, en la dirección www.ryobitools.com o llamando al 1-800-525-2579. Las piezas de repuesto también se pueden obtener en uno de nuestros Centros de Servicio Autorizados.

• **CÓMO LOCALIZAR UN CENTRO DE SERVICIO AUTORIZADO:**

Puede encontrar los Centros de Servicio Autorizados visitando nuestro sitio en la red mundial, en la dirección www.ryobitools.com o llamando al 1-800-525-2579.

• **CÓMO OBTENER SERVICIO O ASISTENCIA TÉCNICA AL CONSUMIDOR:**

Para obtener Servicio o Asistencia Técnica al Consumidor, sírvase comunicarse con nosotros llamando al 1-800-525-2579.

ONE WORLD TECHNOLOGIES, INC.

1428 Pearman Dairy Road, Anderson, SC 29625 • Phone 1-800-525-2579
États-Unis, Téléphone 1-800-525-2579 • USA, Teléfono 1-800-525-2579

988000-803
1-5-12 (REV:01)

www.ryobitools.com

Free Manuals Download Website

<http://myh66.com>

<http://usermanuals.us>

<http://www.somanuals.com>

<http://www.4manuals.cc>

<http://www.manual-lib.com>

<http://www.404manual.com>

<http://www.luxmanual.com>

<http://aubethermostatmanual.com>

Golf course search by state

<http://golfingnear.com>

Email search by domain

<http://emailbydomain.com>

Auto manuals search

<http://auto.somanuals.com>

TV manuals search

<http://tv.somanuals.com>