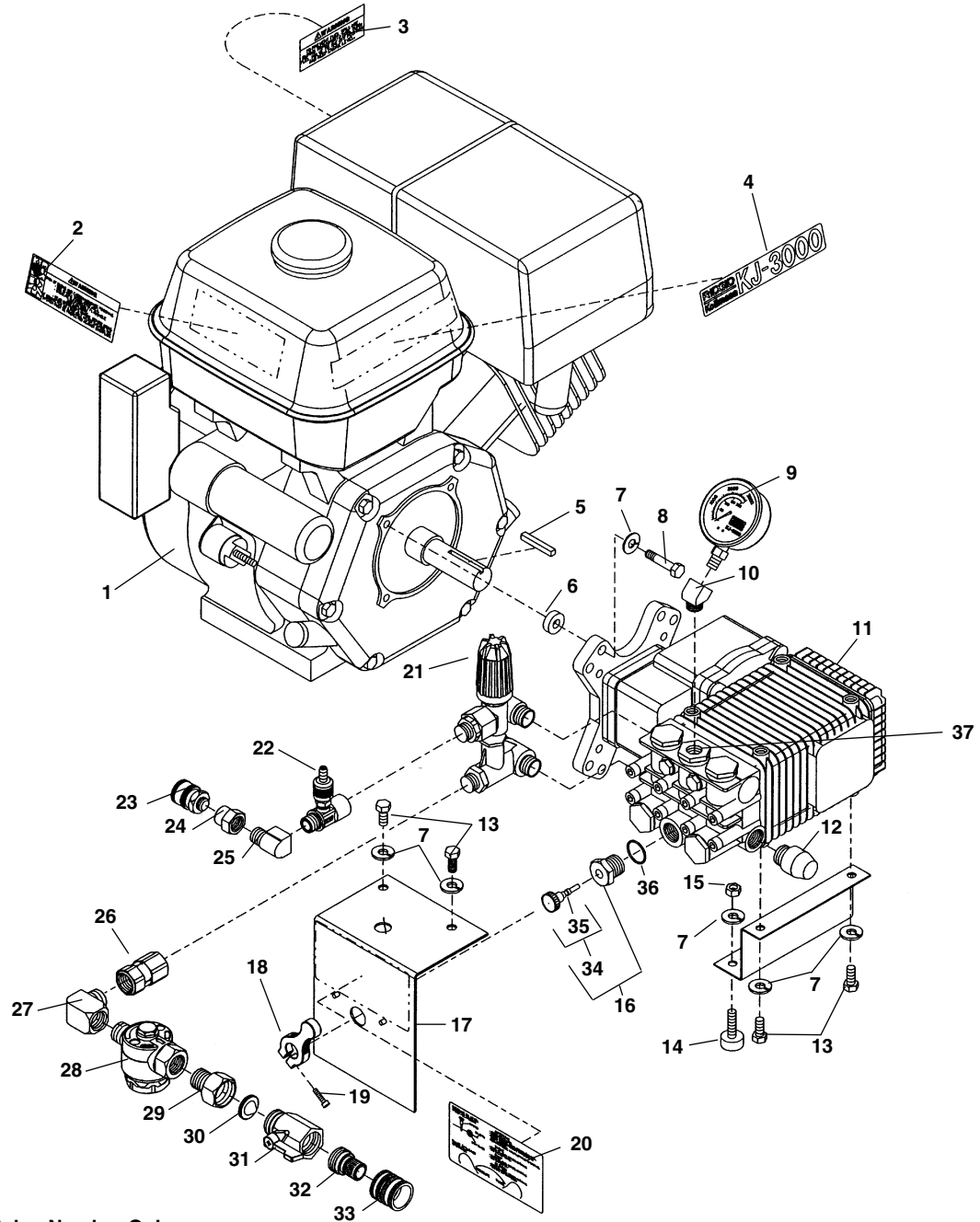


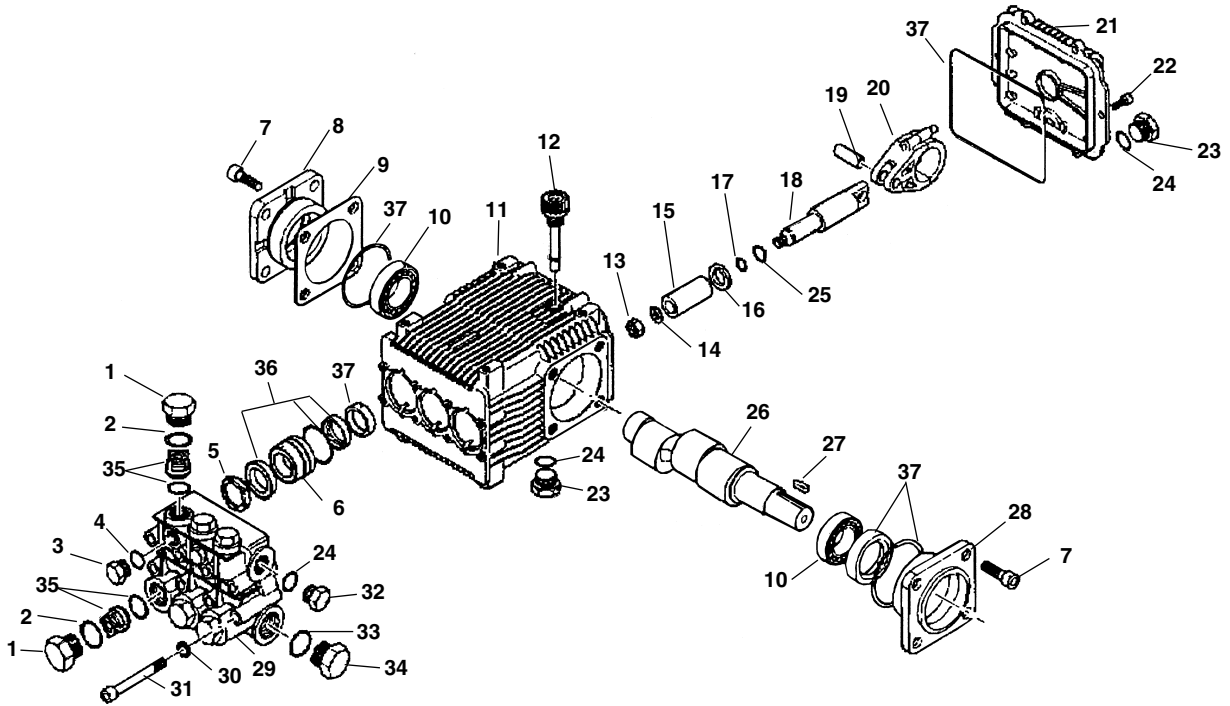
**Motor/Pump Assembly**



**NOTE: Order parts by Catalog Number Only.  
DO NOT order by Reference Number.**

Ref. No.	Catalog No.	Description	Ref. No.	Catalog No.	Description	Ref. No.	Catalog No.	Description
1	66092	Gasoline Engine, 13 Hp Manual Start	13	66132	Hex Hd. Cap Scr., Metric M8-10 (4)	26	66867	Coupling, 1/2" NPT
	66097	Gasoline Engine, 13 Hp Electric Start	14	48187	Rubber Foot (4)	27	48147	Street EL, 90 Degree, 1/2" NPT
2	49562	Decal, Warning	15	60230	Nut (4)	28	66167	Inlet Filter
3	60102	Decal, Fuel Warning	16	85867	Pulse Actuator Assembly	29	49587	Hose Adapter w/Washer
4	66102	Decal, Model No.. KJ-3000	17	66137	Panel	30	48287	Filter Washer
5	66107	Key, 1/4" x 1/4" x 1"	18	63907	Pulse Actuator Handle	31	49582	Water Shut-Off
6	66112	Spacer, Gearbox Mount	19	46375	Soc. Hd. Cap Screw, #6 - 32 x 5/8"	32	48202	Hose Coupler Nipple
7	60080	Lock Washer (8)	20	66142	Decal, Instruction	33	48197	Hose Coupler
8	75350	Hex Screw, 3/8" - 16 x 1 1/4" (4)	21	65202	Unloader Valve	34	85877	Adjusting Screw w/Seals
9	66117	Pressure Gauge, KJ-3000	22	66147	Chemical Injector	35	85882	Seals for Adjusting Screw
10	48107	Street EL, 45 Degree	23	48117	Quick Connect - Female	36	65392	O-Ring
11	66122	Pump Complete, 3000 PSI	24	66157	Reducer Adapter	37	95787	Pressure Gauge Blushing
12	65412	Thermal Relief Valve	25	66162	Street EL, 90 Degree	—	65127	Wash Wand Nozzle (Not Shown)

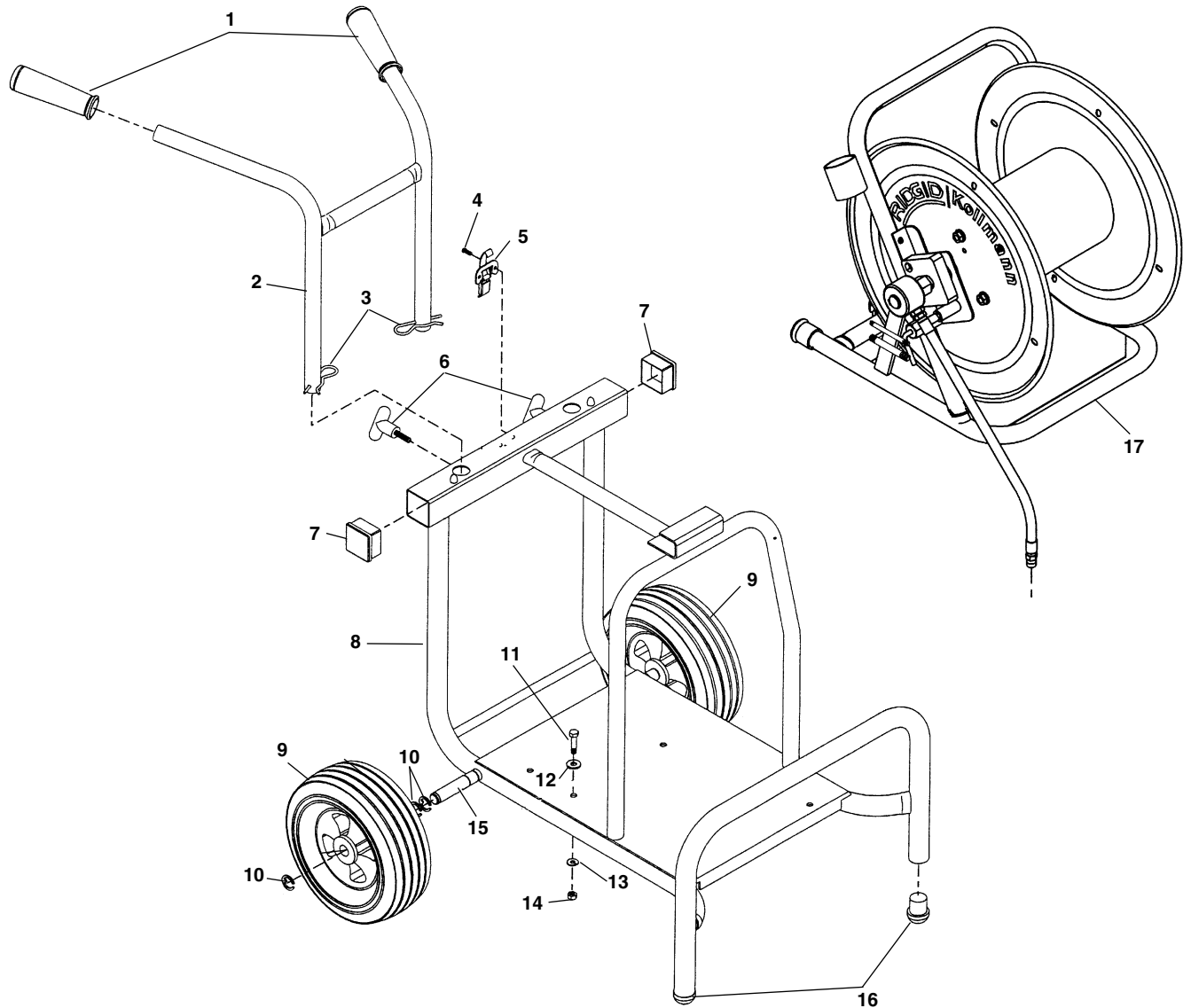
**Pump Assembly New Style**



**NOTE: Order parts by Catalog Number Only.  
DO NOT order by Reference Number.**

Ref. No.	Catalog No.	Description	Ref. No.	Catalog No.	Description	Ref. No.	Catalog No.	Description
1	96722	Valve Cap (6)	14	66247	Plunger Washer	27	66297	Key
2	96642	O-Ring (6)	15	96747	Plunger	28	66302	Cover
3	96727	Plug	16	96752	Slinger (3)	29	96802	Pump Head
4	96732	O-Ring	17	96757	O-Ring (3)	30	96807	Washers (8)
5	66202	Cup Spreader	18	96762	Plunger Guide	31	66317	Bolt (8)
6	66307	Cup Retainer	19	66272	Wrist Pin (3)	32	96792	Port Plug,
7	66217	Bolt (8)	20	66277	Connecting Rod (3)	33	96677	O-Ring
8	66222	Cover	21	96767	Crankcase Cover	34	96797	Port Plug
9	96787	Shim Set	22	96777	Bolt (6)	35	96707	Valve Kits – 6 Valves, 6 O-Rings
10	96737	Ball Bearing	23	96667	Drain Plug (2)	36	96717	Water Seal Kit – 3 each, U-Cup, O-Ring, Cup
11	96742	Crankcase	24	65357	O-Ring (3)	37	96712	Oil Seal Kit – 4 Seals, 3 O-rings
12	65262	Dipstick	25	96812	Washers (3)			
13	66242	Plunger Nut	26	96782	Crankshaft			

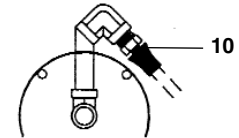
**Cart with Hose Reel**



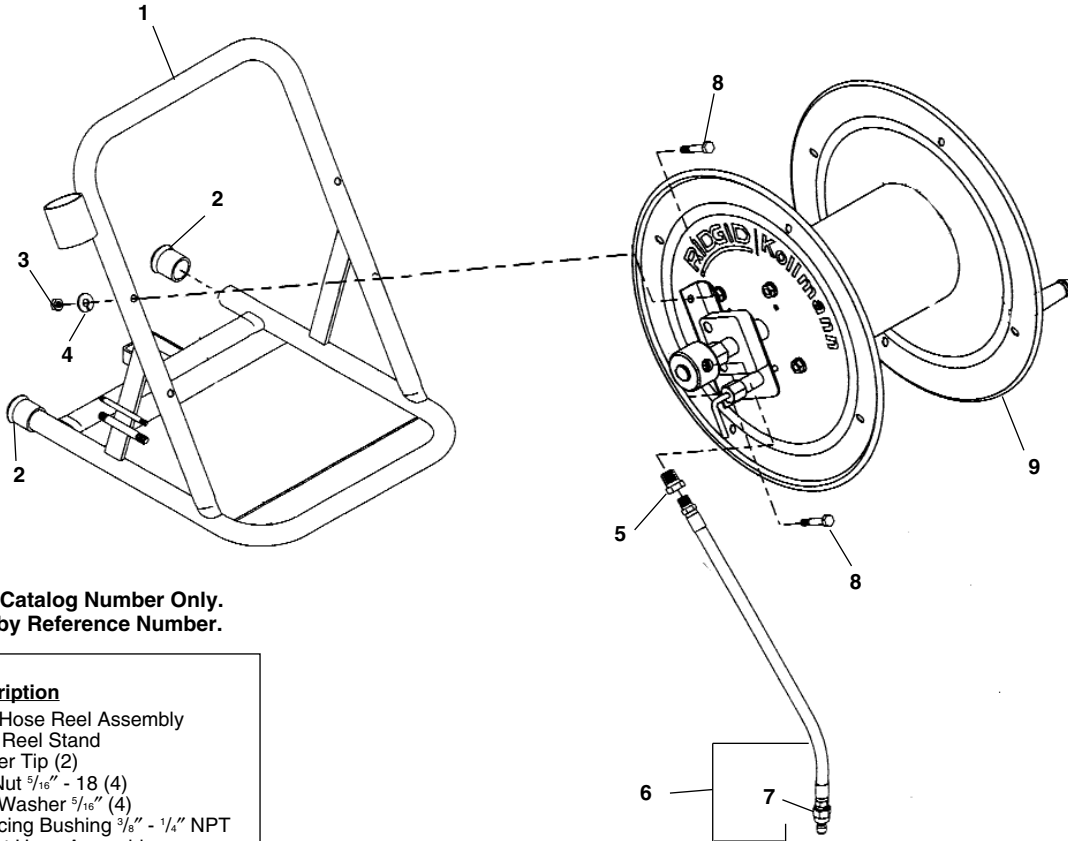
**NOTE: Order parts by Catalog Number Only.  
DO NOT order by Reference Number.**

Ref. No.	Catalog No.	Description
1	60827	Hand Grip (2)
2	66017	Handle Assembly
3	60677	Hairpin (2)
4	27017	Screw, Self Tapping #12-24 x 3/4" (2)
5	47972	Latch
6	60622	Mounting Knob (2)
7	66027	Square Plug (2)
8	66032	Frame
9	23597	Wheel (2)
10	60050	Retaining Ring (6)
11	43992	Hex Screw 3/8"-16 x 2" (4)
12	59970	Flat Washer 3/8" (4)
13	40930	Lock Washer 3/8" (4)
14	60395	Hex Nut 3/8" (4)
15	66037	Axle
16	61470	Rubber Plug (2)
17	64862	H-38 Hose Reel Assembly

**H-38 Reel Assembly**



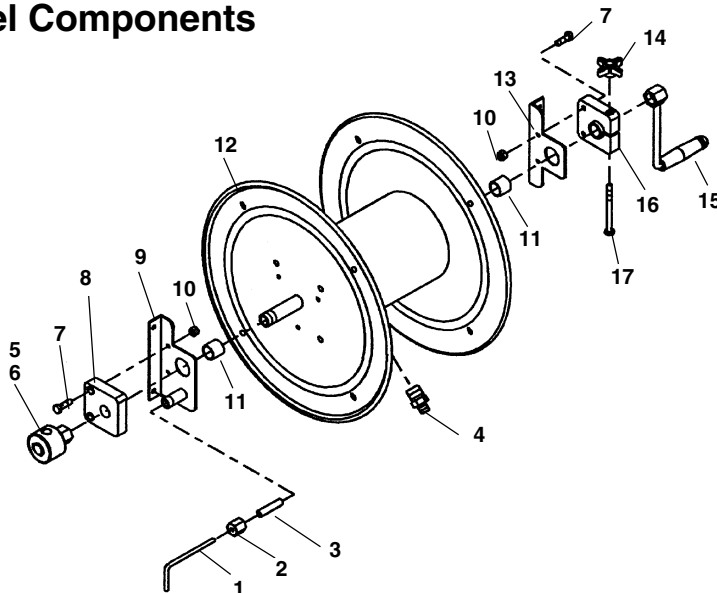
Inside View



**NOTE: Order parts by Catalog Number Only.  
DO NOT order by Reference Number.**

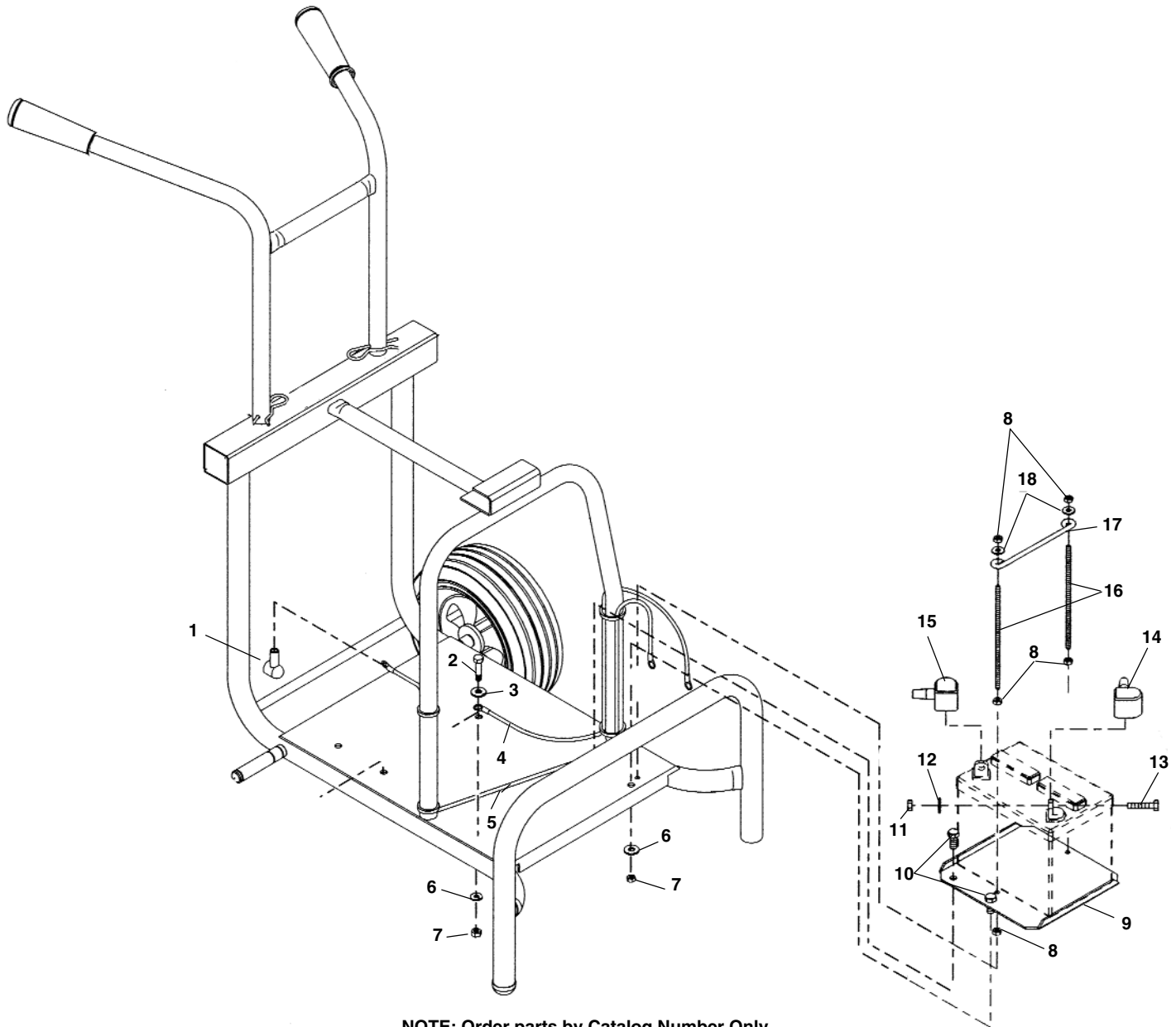
Ref. No.	Catalog No.	Description
—	64862	H-38 Hose Reel Assembly
1	66022	Hose Reel Stand
2	37962	Rubber Tip (2)
3	60230	Hex Nut $\frac{5}{16}$ " - 18 (4)
4	60080	Lock Washer $\frac{5}{16}$ " (4)
5	48152	Reducing Bushing $\frac{3}{8}$ " - $\frac{1}{4}$ " NPT
6	66047	Output Hose Assembly
7	48002	Quick Connect - Male
8	43847	Hex Screw $\frac{5}{16}$ " - 18 x $1\frac{1}{2}$ " (4)
9	48022	Hose Reel
10	35275	Spring

**Reel Components**



Ref. No.	Catalog No.	Description
—	48022	Hose Reel COMPLETE
1	67677	Reel Lock
2	67682	Lock Nut
3	67687	Sleeve
4	67692	Reducer Bushing, $\frac{1}{2}$ " - $\frac{1}{4}$ " NPT M
5	67697	Swivel Connector
6	67702	Service Kit, Swivel
7	85910	Hex Screw, $\frac{5}{16}$ " - 18 x 1" (2)
8	67707	Bearing Block, Plain
9	67712	Bracket, Lock Side
10	75110	Hex Nut, $\frac{5}{16}$ " - 18 (2)
11	67717	Spacer (2)
12	67722	Spool
13	67727	Bracket, Plain
14	67732	Knob, Drag Brake
15	67737	Crank
16	67742	Bearing Block, Drag
17	67747	Hex Screw, $\frac{5}{16}$ " - 18 x $3\frac{1}{2}$ "

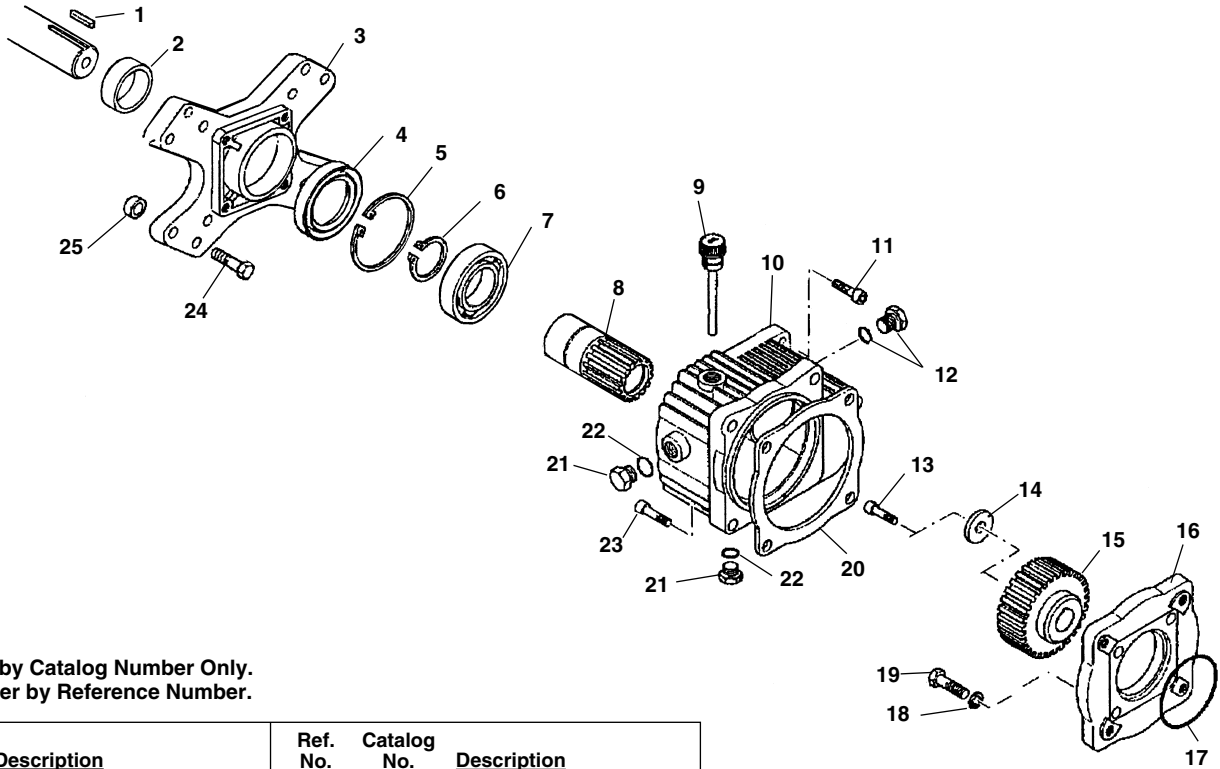
**Electric Start Components**



**NOTE: Order parts by Catalog Number Only.  
DO NOT order by Reference Number.**

<b>Ref. No.</b>	<b>Catalog No.</b>	<b>Description</b>
1	66042	Insulator Cap
2	43992	Hex Screw $\frac{3}{8}$ " 16 x 2" (2)
3	59970	Flat Washer $\frac{3}{8}$ " (2)
4	66082	Battery Cable, Negative
5	66087	Battery Cable, Positive
6	40930	Lock Washer $\frac{3}{8}$ " (2)
7	44225	Hex Nut $\frac{3}{8}$ " - 16 (2)
8	80370	Hex Nut $\frac{1}{4}$ " - 20 (6)
9	66072	Battery Tray
10	45470	Hex Screw $\frac{3}{8}$ " - 16 x 1" (2)
11	96730	Hex Nut $\frac{5}{16}$ " - 18 (2)
12	60080	Lock Washer $\frac{5}{16}$ " (2)
13	88045	Hex Screw $\frac{3}{16}$ " - 18 x $\frac{7}{8}$ " (2)
14	66067	Terminal Insulator - Black
15	66077	Terminal Insulator - Red
16	66062	Tie Down Rod $\frac{1}{4}$ " - 20 (2)
17	66057	Battery Strap
18	84720	Flat Washer $\frac{1}{4}$ " (2)

**Gearbox  
New Style**

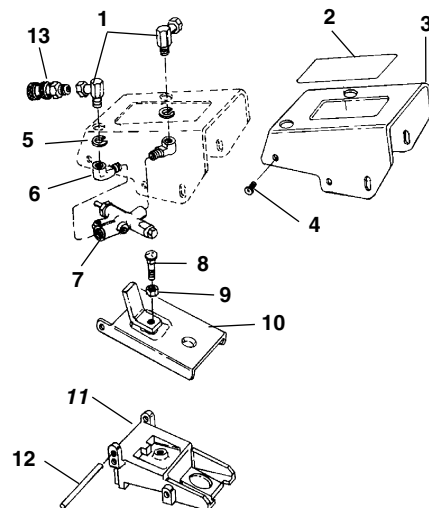


**NOTE: Order parts by Catalog Number Only.  
DO NOT order by Reference Number.**

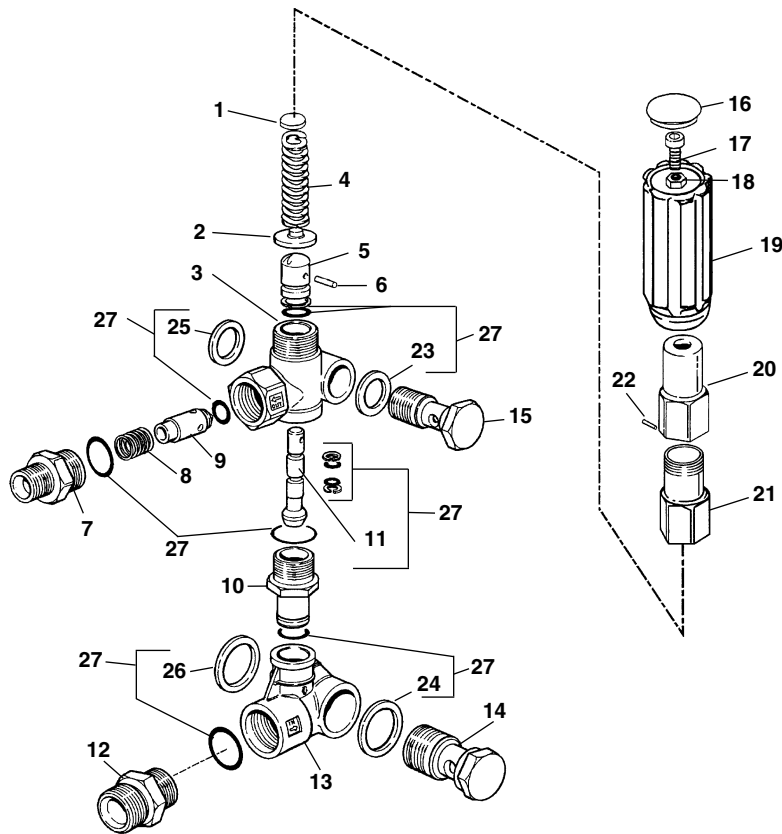
Ref. No.	Catalog No.	Description	Ref. No.	Catalog No.	Description
1	96822	Key	14	66367	Washer
2	96872	Spacer	15	66377	Gear
3	66322	Motor Flange	16	66387	Flange
4	66327	Seal	17	66382	O-Ring
5	66332	Retaining Ring	18	96867	Washer
6	66337	Retaining Ring	19	66392	Hex Bolt (4)
7	96827	Ball Bearing	20	96862	Gasket
8	96832	Drive Gear	21	96852	Oil Plug (2)
9	96837	Dipstick	22	65357	O-Ring (2)
10	66407	Housing	23	96857	Soc. Hd. Cap Screw (4)
11	96842	Soc. Hd. Cap Screw (4)	24	75350	Hex Bolt (4)
12	96847	Hex Plug	25	66112	Spacer (4)
13	66362	Soc. Hd. Cap Screw			

**FV-1 Foot Valve**

Ref. No.	Catalog No.	Description
—	48157	Foot Valve Complete, FV-1
1	49787	Elbow w/Swivel, 1/4" NPT
2	49777	Decal, Model No.
3	49772	Cover
4	36787	Screw, Self Tapping, #10 (4)
5	49792	Lock Washer 9/16" (2)
6	49797	Street EL, 1/4" NPT(2)
7	49782	Valve Assembly
8	49802	Carriage Bolt, 1/4" NPT
9	47297	Lock Nut, 1/4" - 20
10	49767	Foot Pedal
11	36737	Base
12	36747	Pivot Pin
13	48117	Quick Connect - Female



**Unloader Valve - (Black Knob)**



**NOTE: Order parts by Catalog Number Only.  
DO NOT order by Reference Number.**

Ref. No.	Catalog No.	Description
—	65202	Unloader Valve Complete
1	85902	Plate
2	64302	Spring Button
3	64317	Body
4	85897	Spring
5	64307	Poppet
6	64312	Pin
7	64332	Outlet Poppet Retainer
8	64337	Spring
9	64342	Poppet
10	64352	By-Pass Seat
11	64347	Plunger
12	64362	Inlet Adapter
13	64367	Manifold
14	64372	Inlet Port Adapter
15	64327	Outlet Port Adapter
16	85892	Plug Cap
17	32270	Soc. Hd. Cap Screw 5/16" - 18 - 3/4"
18	61115	Hex Nut 5/16" x 18
19	85887	Control Knob (Black)
20	85907	Cap
21	85917	Spring Guide
22	85912	Pin
23	64322	Seal Washer
24	64357	Seal Washer
25	85922	Seal Washer
26	85927	Seal Washer
27	85932	Seal Kit





## Free Manuals Download Website

<http://myh66.com>

<http://usermanuals.us>

<http://www.somanuals.com>

<http://www.4manuals.cc>

<http://www.manual-lib.com>

<http://www.404manual.com>

<http://www.luxmanual.com>

<http://aubethermostatmanual.com>

Golf course search by state

<http://golfingnear.com>

Email search by domain

<http://emailbydomain.com>

Auto manuals search

<http://auto.somanuals.com>

TV manuals search

<http://tv.somanuals.com>