

GLX390 Hood

Instructions Manual

www.rangemaster.co.uk

Instructions Manual

INDEX

RECOMMENDATIONS AND SUGGESTIONS	3
CHARACTERISTICS	4
INSTALLATION	6
USE	9
MAINTENANCE	10

RECOMMENDATIONS AND SUGGESTIONS

⚠ The Instructions for Use apply to several versions of this appliance. Accordingly, you may find descriptions of individual features that do not apply to your specific appliance.

INSTALLATION


- The manufacturer will not be held liable for any damages resulting from incorrect or improper installation.
- Check that the mains voltage corresponds to that indicated on the rating plate fixed to the inside of the hood.
- For Class I appliances, check that the domestic power supply guarantees adequate earthing.
- Connect the extractor to the exhaust flue through a pipe of minimum diameter 120 mm. The route of the flue must be as short as possible.
- Do not connect the extractor hood to exhaust ducts carrying combustion fumes (boilers, fireplaces, etc.).
- If the extractor is used in conjunction with non-electrical appliances (e.g. gas burning appliances), a sufficient degree of aeration must be guaranteed in the room in order to prevent the backflow of exhaust gas. The kitchen must have an opening communicating directly with the open air in order to guarantee the entry of clean air.

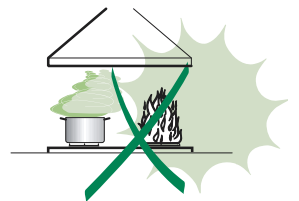
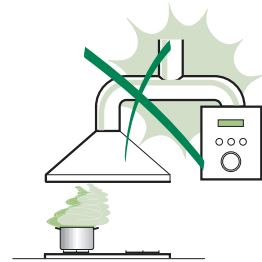
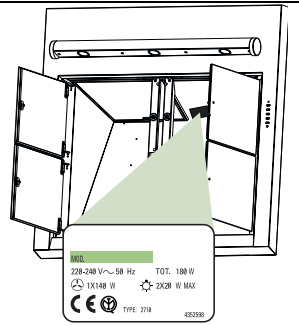
USE

- The extractor hood has been designed exclusively for domestic use to eliminate kitchen smells.
- Never use the hood for purposes other than for which it has been designed.
- Never leave high naked flames under the hood when it is in operation.
- Adjust the flame intensity to direct it onto the bottom of the pan only, making sure that it does not engulf the sides.
- Deep fat fryers must be continuously monitored during use: overheated oil can burst into flames.
- Do not flambé under the range hood; risk of fire
- This appliance is not intended for use by persons (including children) with reduced physical, sensory or mental capabilities, or lack of experience and knowledge, unless they have been given supervision or instruction concerning use of the appliance by a person responsible for their safety.
- Children should be supervised to ensure that they do not play with the appliance.

MAINTENANCE

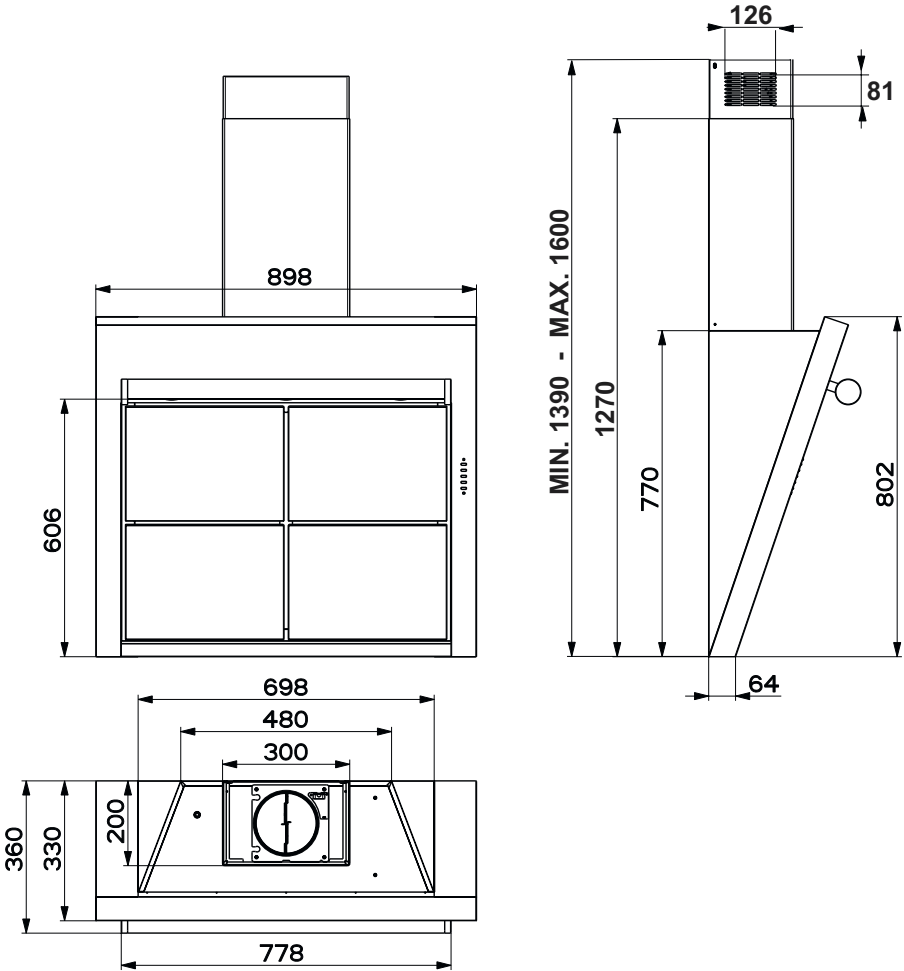
- Switch off or unplug the appliance from the mains supply before carrying out any maintenance work.
- Clean and/or replace the Filters after the specified time period.
- Clean the hood using a damp cloth and a neutral liquid detergent.

The symbol  on the product or on its packaging indicates that this product may not be treated as household waste. Instead it shall be handed over to the applicable collection point for the recycling of electrical and electronic equipment. By ensuring this product is disposed of correctly, you will help prevent potential negative consequences for the environment and human health, which could otherwise be caused by inappropriate waste handling of this product. For more detailed information about recycling of this product, please contact your local city office, your household waste disposal service or the shop where you purchased the product.



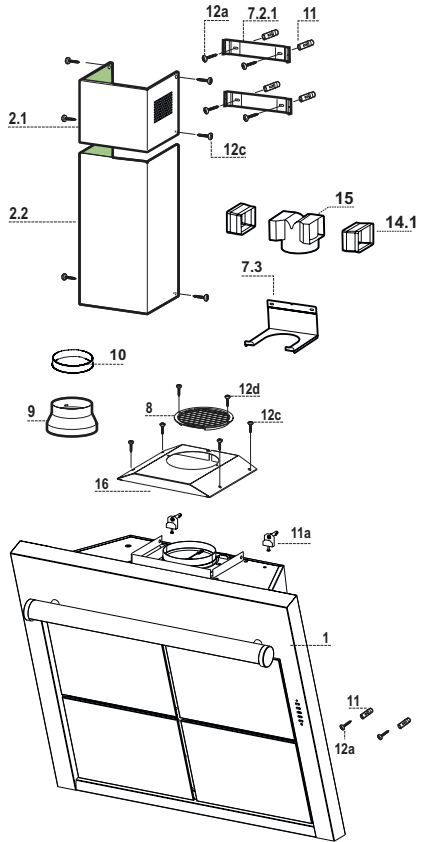
CHARACTERISTICS

Dimensions



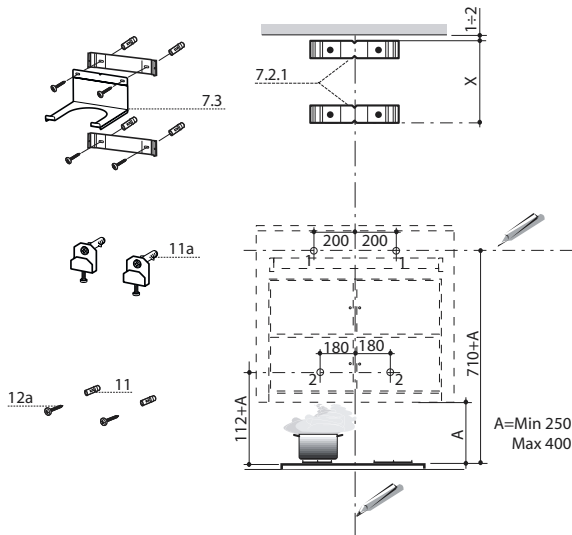
Components

Ref.	Q.ty	Product Components
1	1	Hood Body, complete with: Controls, Light, Blower, Filters
2.1	1	Upper Section
2.2	1	Lower Section
8	1	Directional Air Outlet grille
9	1	Flange
10	1	Adapting ring \varnothing 120-125 mm
14.1	2	Air Outlet Connection Extension
15	1	Air Outlet Connection
16	1	Filter cover
Ref.	Q.ty	Installation Components
7.2.1	2	Upper Chimney Section Fixing Brackets
7.3	1	Air Outlet Connection Support
11	6	Wall Plugs
11a	2	Wall Plugs SB 12/10
12a	6	Screws 4,2 x 44,4
12c	10	Screws 2,9 x 6,5
12d	2	Screws 2,9 x 9,5
Q.ty	Documentation	
1	Instruction Manual	



INSTALLATION

Wall drilling and bracket fixing



On the wall, draw

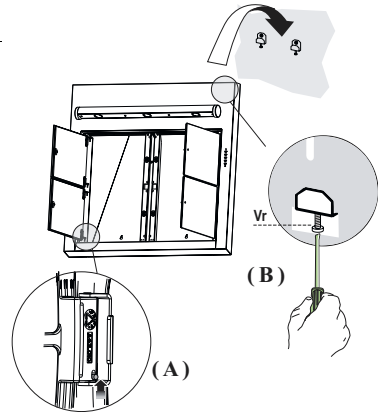
- a Vertical line up to the ceiling or upper limit, at the centre of the area in which the Hood is to be fitted;
- a Horizontal line at a minimum of (710 mm + A) above the Cooker Top.
- Mark a point **(1)** on the horizontal line, 200 mm to the right of the vertical reference line.
- Repeat this operation on the other side, checking that the two marks are level.
- Mark a reference point **(2)** as indicated at 180 mm from the vertical reference line and (112 mm + A) above the Cooker Top.
- Repeat this operation on the other side, checking that the two marks are level.
- Drill at the points **(1)** marked, using a \varnothing 12 mm drill bit.
- Drill at the points **(2)** marked, using a \varnothing 8 mm drill bit.
- Insert the bracket plugs **11a** into the holes **1** and screw into place.
- Insert plug **11** into hole **2**.

To install a decorative chimney (optional)

- Place bracket **7.2.1** on the wall as shown about 1-2 mm from the ceiling or upper limit aligning the centre (notch) with the vertical reference line.
- Mark the wall at the centres of the holes in the bracket.
- Place bracket **7.2.1** on the wall as shown at X mm below the first bracket (X = height of the upper chimney section supplied), aligning the centre (notch) with the vertical line.
- Mark the wall at the centres of the holes in the bracket.
- Drill \varnothing 8 mm holes at all the centre points marked.
- Insert the wall plugs **11** in the holes.
- Fix the lower bracket **7.2.1** using the **12a** screws (4,2 x 44,4) supplied.
- Fix the upper bracket **7.2.1** and the air outlet connection support **7.3** together using the 2 screws **12a** (4,2 x 44,4) supplied.

Mounting the hood body

- Open the ducting panels.
- Disconnect the panel from the hood canopy by sliding the fixing pin lever. **(A)**
- Remove the metal grease filters by turning the handles provided.
- Adjust the two screws **Vr**, on brackets **11a**, to a minimum. **(B)**
- Hook the hood canopy onto the two brackets **11a**.
- From inside the hood canopy, adjust the screws **Vr** to set the Hood Canopy level.
- Tighten the safety screw **11**.

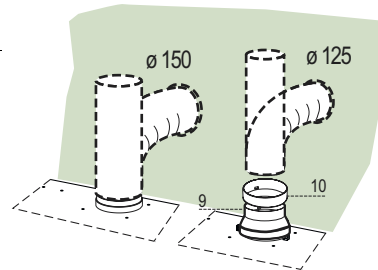


Connections

DUCTED VERSION AIR EXHAUST SYSTEM

When installing the ducted version, connect the hood to the chimney using either a flexible or rigid pipe \varnothing 150 or 125 mm, the choice of which is left to the installer.

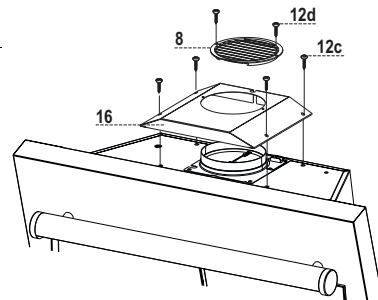
- To install a \varnothing 125 mm air exhaust connection, insert the reducer flange **9** on the hood body air outlet and the adapting ring \varnothing 120-125 **10** on the reducer flange.
- Fix the pipe in position using sufficient pipe clamps (not supplied).
- Remove any activated charcoal filters.



RECYCLING VERSION AIR OUTLET

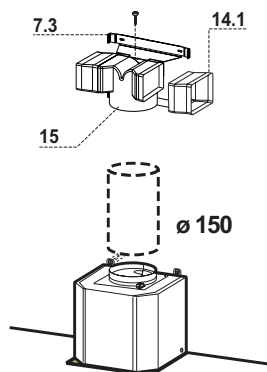
To install the hood in recycling version, the optional charcoal filter kit must be purchased.

- Remove the chimney angle bracket.
- Screw the filter cover onto the air outlet, using four screws **12c** (2.9 x 12.5).
- Fix the air outlet grid **8** on the recirculation air outlet using the 2 screws **12d** (2,9 x 9,5) provided.



RECIRCULATION VERSION AIR OUTLET

- Insert the connection extension pieces laterally **14.1** in connection **15**.
- Insert the Connector **15** into the Support bracket **7.3** and fix it with a screw.
- Make sure that the outlet of the extension pieces **14.1** is horizontally and vertically aligned with the chimney outlets.
- Connect the air outlet connection **15** to the hood body outlet using either a flexible or rigid pipe \varnothing 150 mm, the choice of which is left to the installer.
- Ensure that the activated charcoal filters have been inserted.



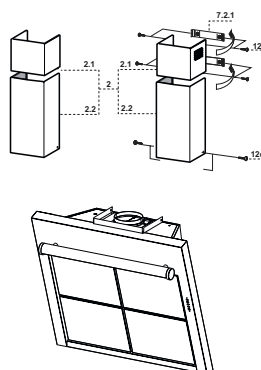
Chimney assembly

Upper exhaust Chimney

- Slightly widen the two sides of the upper chimney and hook them behind the brackets **7.2.1**, making sure that they are well seated.
- Secure the sides to the brackets using the 4 screws **12c** (2,9 x 9,5) supplied.

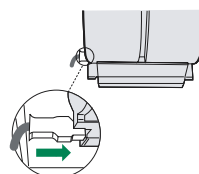
Lower exhaust Chimney

- Slightly widen the two sides of the chimney and hook them between the upper chimney and the wall, making sure that they are well seated.
- Fix the lower part laterally to the hood body using the 2 screws **12c** (2,9 x 9,5) supplied.



ELECTRICAL CONNECTION

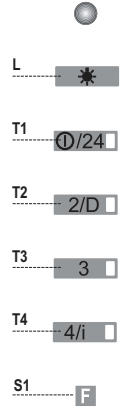
- Connect the hood to the mains through a two-pole switch having a contact gap of at least 3 mm.
- Remove the grease filters (see paragraph Maintenance) being sure that the connector of the feeding cable is correctly inserted in the socket placed on the side of the fan.



Control Panel

The hood can be switched on pushing directly onto the requested speed without firstly having to select 0/1 button.

KEY	LED	FUNCTIONS
L	0/1 Light	Turns lighting on and off.
T1	0/1 Motor on	First speed. When pressed for about 1 seconds the motor is switched off.
	Flashing	24h Changeover This is enabled by pressing and holding the button for approximately 5".It allows a suction level of 100 m3/h with a noise level of just 28dB(A).Can be enabled at any speed, even with the hood turned off.To disable, press and hold the button for approximately 5".
T2	Speed on Flashing	Second speed. Delay (30') Press the button for approximately 2" to enable automatic shutdown with a 30' delay. Suitable to complete elimination of any residual smells. Can be enabled at any speed and is disabled by pressing the button T1 briefly.
T3	Speed on	Third speed.
T4	Speed Fixed Flashing	Max. speed Intensive speed. Suitable for the strongest cooking vapours and odours. The function becomes active when the button is pushed for about 2 seconds. After 10 minutes of functioning it turns off automatically. This function can be interrupted by means of pressing any of the buttons.
S1	Led Fixed Flashing	Indicates that the Metal grease filters saturation alarm has been triggered, and the filters need to be washed. The alarm is triggered after 100 working hours. (<i>Reset; check the Maintenance-paragraph</i>) indicates that the activated charcoal odour filter saturation alarm has been triggered, and the filter has to be replaced; the metal grease filters must also be washed. The activated charcoal odour filter is triggered after 200 working hours. (<i>Activation and Reset; check the Maintenance-paragraph</i>)

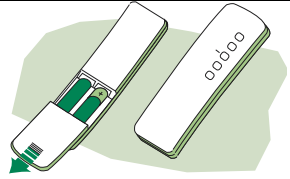


MAINTENANCE

REMOTE CONTROL (OPTIONAL)

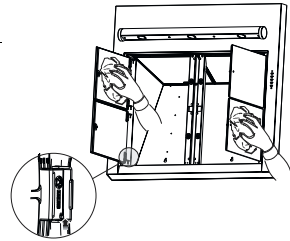
The appliance can be controlled using a remote control powered by a 1.5 V carbon-zinc alkaline batteries of the standard LR03-AAA type.

- Do not place the remote control near to heat sources.
- Used batteries must be disposed of in the proper manner.



Ducting panels

- Open the ducting panels.
- Disconnect the panel from the hood canopy by sliding the fixing pin lever.
- Clean the outside using a damp cloth and neutral liquid detergent.
- Clean the inside using a damp cloth and neutral detergent; do not use wet cloths or sponges, or jets of water; do not use abrasive substances.



Grease filters

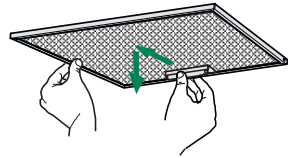
CLEANING METAL SELF- SUPPORTING GREASE FILTERS

Alarm signal reset

- Switch off the lights and extractor motor.
- Press button **T3** for at least 3 seconds, until the leds start to flash.

Cleaning the filters

- The filters are washable and must be cleaned when the LED **S1** lights up or at least every 2 months of operation, or more frequently for particularly heavy usage.
- Remove the filters one at a time holding them up with one hand and pulling the handle downwards with the other hand at the same time.
- Wash the filters, taking care not to bend them. Allow them to dry before refitting.
- When refitting the filters, make sure that the handle is visible on the outside.



Activated charcoal filter (Recirculation version)

The filter is not washable and cannot be regenerated. It must be replaced when led **S1** flashes or at least every 4 months. The alarm signal will only light up when the extractor motor is switched on.

Alarm signal activation

- In Recirculation version Hoods, the Filter saturation alarm can be enabled on installation or at a later date. Turn the Lights and the suction Motor off.
- Disconnect the Hood using the Main switch or the double-pole switch on the mains power supply.
- Restore the connection by pressing and holding **T1**.
- Release the button. All five LEDs are turned on.
- **Within 3 seconds** press **T1** until LEDs **T1** and **T4** flash in confirmation:
 - LED flashes twice - Activated charcoal filter saturation alarm **ENABLED**.
 - LED flashes once - Activated charcoal filter saturation alarm **DISABLED**.

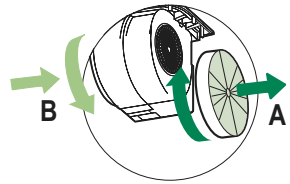
REPLACING THE ACTIVATED CHARCOAL FILTER

Alarm signal reset

- Switch off the lights and extractor motor.
- Press button **T3** for at least 3 seconds, until the leds start to flash.

Replacing the Filter

- Remove the metal grease filters
- Remove the saturated activated carbon filters as shown (**A**).
- Fit the new filters (**B**).
- Replace the metal grease filters.

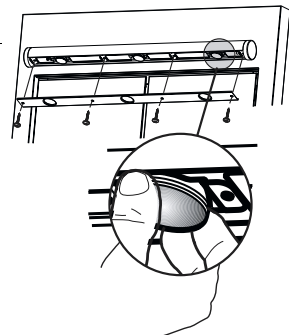


Lighting

LIGHT REPLACEMENT

20 W halogen light.

- Remove the light cover by unfastening the screws that hold it.
- Extract the lamp from the Support.
- Replace with another of the same type, making sure that the two pins are properly inserted in the lamp holder socket holes.
- Replace the light cover.





RANGEmaster

Clarence Street, Royal Leamington Spa,
Warwickshire, CV31 2AD, England.

Tel: +44 (0) 1926 457400 Fax: +44 (0) 1926 450526

E-mail: consumers@rangemaster.co.uk

www.rangemaster.co.uk

AGA RANGEMASTER LTD.

Free Manuals Download Website

<http://myh66.com>

<http://usermanuals.us>

<http://www.somanuals.com>

<http://www.4manuals.cc>

<http://www.manual-lib.com>

<http://www.404manual.com>

<http://www.luxmanual.com>

<http://aubethermostatmanual.com>

Golf course search by state

<http://golfingnear.com>

Email search by domain

<http://emailbydomain.com>

Auto manuals search

<http://auto.somanuals.com>

TV manuals search

<http://tv.somanuals.com>