



ELTSHDC110SG/

**Users Guide
&
Installation Instructions**

w w w . r a n g e m a s t e r . c o . u k

Download from Www.Somanuals.com. All Manuals Search And Download.

CONTENTS

IMPORTANT SAFETY INFORMATION	Installation	Page	2
	Child Safety		2
	Maintenance and service		3
YOUR APPLIANCE			
OPERATING INSTRUCTIONS	Cooker Hood Controls To Operate		4 5
	Recirculation		5
	Extraction		5
MAINTENANCE AND CLEANING	Metal Grease Filters		6
	Charcoal Filter		6
	Lighting		7
	Cleaning		7
INSTALLATION INSTRUCTIONS	Technical Information		8
ELECTRICAL CONNECTION	Electrical Requirements		9
	Electrical Connection		9
INSTALLING THE CHIMNEY HOOD	Components		10
	Installation Requirements		10
	Clearance Heights		11
	Fitting the Wall Brackets		11
	Drilling the Holes 1		12
	Fixing the Canopy		12
	Ducting		13
	Recirculation		13
	Fitting the Recirculation Ducting		13
	Fitting the Telescopic Chimney		14

IMPORTANT SAFETY INFORMATION

These warnings are provided in the interests of safety. Ensure that you understand them all before installing or using this appliance. Your safety is of paramount importance. If you are unsure about the meaning of any of these warnings contact the Helpline.

• **INSTALLATION**

- Any installation work must be undertaken by a qualified electrician or a competent person.
- This hood must be installed in accordance with the installation instructions and all measurements must be adhered to.
- If the cooker hood is installed for use above a gas appliance then the provision for ventilation must be in accordance with the latest edition of the Gas Safety Codes of Practice and the Gas Safety (Installation & Use) Regulations, the Building Regulations issued by the Department of the Environment, the Building Standards (Scotland) (Consolidated) Regulations issued by the Scottish Development Department.
- The fan motor of this cooker hood incorporates a cut-out device which will operate if the cooker hood is installed below the minimum height recommended under the section 'Clearance Height', or if the motor becomes overheated. If the cut-out device is activated, switch off the fan motor and allow the cooker hood to cool. The cut-out device will reset itself when the fan motor has cooled significantly.
- It is dangerous to alter the specifications or modify this product in any way.
- When installed between adjoining wall cabinets the wall cabinets must not overhang the hob.

- If the room where the cooker hood is to be used contains a fuel burning appliance such as a central heating boiler then its flue must be of the room sealed or balanced flue type.
- If other types of flue or appliances are fitted ensure that there is an adequate supply of air to the room.
- The ducting system for this appliance must not be connected to any existing ventilation system that is being used for any other purpose.
- Do not install above a cooker with a high-level grill.

• **CHILD SAFETY**

- This appliance is designed to be operated by adults. Children should not be allowed to tamper with the appliance.

• **DURING USE**

- This product is for domestic use only.
- Never leave frying pans unattended during use as overheated fats and oils might catch fire.
- Never do flambé cooking under this cooker hood.
- Do not leave naked flames under the cooker hood.

IMPORTANT SAFETY INFORMATION

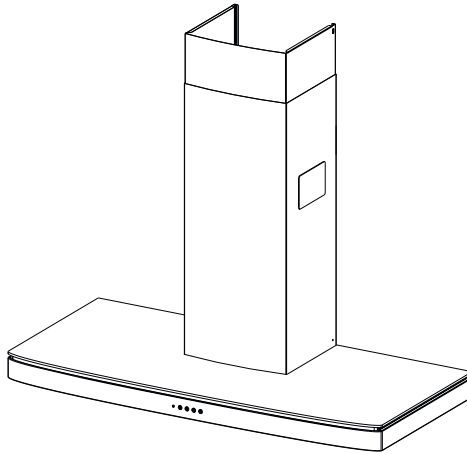
- **MAINTENANCE AND SERVICE**

- This appliance can be a hazard if the grease filters and charcoal filters are not cleaned and replaced as recommended.
- Always insist on genuine RANGEmaster spare parts.
- The halogen light and cover lamp might hot.
- Under no circumstances should you attempt to repair the appliance yourself. Repairs carried out by inexperienced persons may cause injury or more serious malfunction. In the event of your chimney hood requiring service contact:

RANGEmaster Helpline: 0845 603 5312, or

Consumer Services: 0870 789 5107

YOUR APPLIANCE

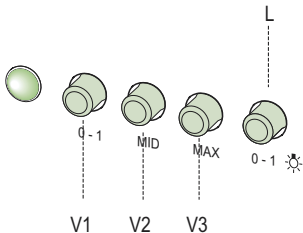


OPERATING INSTRUCTIONS

The chimney hood is designed to extract unpleasant odours from the kitchen, it will not extract steam. The appliance can be installed to recirculate or extract contaminated air.

COOKER HOOD CONTROLS

The chimney hood functions are controlled by four push buttons located centrally on the front of the canopy.



BUTTON V1 - Turns the fan **On** and **Off** at the low speed setting. This is an ideal speed when cooking for long periods as the continuous flow of air is particularly quiet.

BUTTON V2 - Second speed, suitable for most normal operating conditions. This speed gives an excellent ratio between treated air when the hood is recirculated and the level of noise.

BUTTON V3 - Third speed, suitable for removing strong odours when frying or simmering for long periods.

BUTTON L - Turns the worktop lighting **On** and **Off**.

OPERATING INSTRUCTIONS

TO OPERATE

Select the required fan speed and light if required.

To obtain the best performance when cooking it is advisable to switch the chimney hood on for a few minutes before you start cooking and leave it running for about 15 minutes after finishing.

RECIRCULATION

In the recirculation mode contaminated air enters the chimney hood through the grease filter cassettes. The air is cleaned as it passes through the (optional) charcoal filter and is passed out through grilles in either side of the chimney stack into the kitchen.

EXTRACTION

In the extraction mode contaminated air enters the chimney hood through the grease filter cassettes and is passed out through ducting into the atmosphere.



When used in the ducting mode the charcoal filter is not required.


Never do flambé cooking under this chimney hood.

When using a gas hob under this chimney hood never leave the burners uncovered while the hood is in use or when the pans have been removed.

The grease filters and the charcoal filter should be cleaned and replaced as recommended or more frequently if the hood is used consistently over 4 hours per day.


MAINTENANCE AND CLEANING

Regular maintenance and cleaning will ensure good performance and reliability, while extending the working life of the hood. Special attention should be paid to the grease filter cassettes and the charcoal filter when the hood is used in the recirculation mode.

 Before carrying out any maintenance or cleaning isolate the cooker hood from the mains supply.

METAL GREASE FILTERS

The grease filters absorb grease and dust during cooking to help keep the chimney hood clean inside, and should be cleaned every month with normal usage or more frequently if the hood is used consistently over 4 hours per day.


 Remove the metal grease filter cassettes one at a time, by pressing the release catch towards the rear of the hood as illustrated opposite. When replacing the filters ensure that the handle faces forwards.

The metal grease filters can be washed in a dishwasher or by hand using a mild detergent or liquid soap.


CHARCOAL FILTER

In the recirculation mode the activated charcoal filter absorbs smells and unwanted odours.

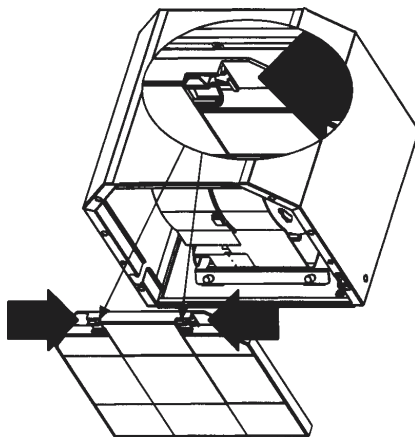
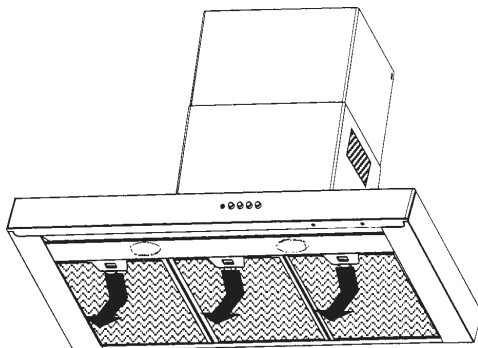
The charcoal filter cannot be cleaned or regenerated and must be replaced every four months, or more frequently if the hood is used consistently over 4 hours per day.

 To replace the charcoal filter, first remove the metal grease filters and press against the plastic retaining clips to remove the charcoal filter as illustrated opposite.

We recommend that you wear rubber gloves when removing the charcoal filter as the filter will be saturated in grease. Put the filter into a polythene bag or container so that the grease and dirt cannot spill onto clothing of furnishing.

 **THIS APPLIANCE CAN BE A POSSIBLE FIRE HAZARD IF THE GREASE FILTERS ARE NOT CLEANED AND THE CHARCOAL FILTERS REPLACED AS RECOMMENDED.**

Replacement charcoal filters may be purchased by returning the enclosed order form, or by telephoning 01803 296155 if you wish to pay by credit card.



MAINTENANCE AND CLEANING


LIGHTING

The canopy is fitted with three 20W halogen spotlamps.

WARNING!

The halogen light and cover lamp might hot.

If one of the spotlamps fails to function check that the two pins are correctly inserted into the lamp holder.


 To replace a spotlamp remove the two screws, which secure the lens retaining ring and glass lens as illustrated. Take care to ensure the lens and retaining ring are supported while removing the screws. Extract the spotlamp from the lamp holder by pulling gently.

Replacement spotlamps are specified 12V 20W.

When replacing the spotlamps, make sure that the two pins are correctly inserted in the lamp holder, and then replace the glass lens and retaining ring.

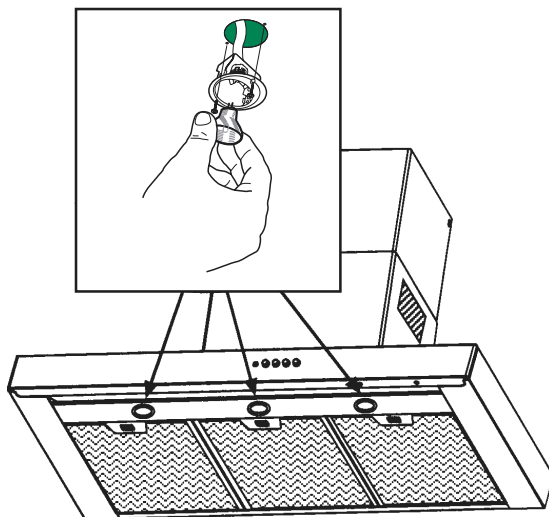
CLEANING

We recommend the chimney hood is cleaned using a damp cloth wrung out in warm soapy water using a mild liquid household cleaner.

 **Never use excessive amounts of water when cleaning, in particular around the control buttons.**

Never use thinners or products containing alcohol, as they will damage the painted or bright metal finish.

Never use abrasive cleaning materials, or scouring pads in particular when cleaning painted or bright metal finish.



INSTALLATION INSTRUCTIONS



It is dangerous to alter the specifications or attempt to modify this chimney hood in any way.

TECHNICAL INFORMATION

DIMENSIONS

CANOPY: Height	70mm
Width	1098mm
Depth	500mm

CHIMNEY: Height - Upper Chimney	215mm
Lower Chimney	740mm
Width	300mm
Depth	260mm

ELECTRICAL SUPPLY

VOLTAGE: ~50Hz	230V
POWER CONSUMPTION:	265W
FAN:	205W
SPOTLAMPS: 3x20W	60W

PERFORMANCE

SPEEDS	3
CAPACITY m ³ /h*	550
CAPACITY m ³ /h**	660
PRESSURE PA	320
INPUT W	205
NOISE LEVEL dBA***	68

*IEC 61591 method for cooker hoods in evacuation mode - ** IEC 61591 method with free delivery - ***IEC 60704-2-13 method



Note: CE Marking certifies that this appliance complies with the requirements laid down in EEC directive 89:336 (Electromagnetic compatibility) and subsequent modifications and Low Voltage directive 72/23/E.

ELECTRICAL CONNECTION

 **THIS APPLIANCE MUST BE EARTHED**

ELECTRICAL REQUIREMENTS

Any permanent electrical installation must comply with the latest I.E.E. Regulations and local Electricity Board regulations. For your own safety this should be undertaken by a qualified electrician e.g. your local Electricity Board, or a contractor who is on the roll of the National Inspection Council for Electrical Installation Contracting (NICEIC).

ELECTRICAL CONNECTION

Before connecting to the mains supply ensure that the mains voltage corresponds to the voltage on the rating plate inside the cooker hood.

This appliance is fitted with a 3 core mains cable and must be permanently connected to the electricity supply via a double-pole switch having 3mm minimum contact gap on each pole. A Switched Fuse Connection Unit to BS.1363 Part 4, fitted with a 3 Amp fuse, is a recommended mains supply connection accessory to ensure compliance with the Safety Requirements applicable to fixed wiring instructions.

This appliance conforms to BS.800:1988 and EEC Directive No. 78 308 regarding suppression of radio and television interference.

INSTALLING THE CHIMNEY HOOD

COMPONENTS

The chimney hood comprises of the following: -

- No 1 150x120mm ducting spigot (A)
- No 1 125x120mm ducting spigot (D)
- No 1 Splashback (B) optional
- No 1 Canopy (C)
- No 2 Recirculation grilles (G)
- No 1 Lower chimney stack (I)
- No 1 Recirculation ducting (P)
- No 2 Recirculation extension ducts (P1)
- No 1 Recirculation spigot (R)
- No 1 Upper chimney stack (S)
- No 2 Chimney fixing brackets (2)

Please ensure when the appliance is fitted it is easily accessible to an engineer in the event of a breakdown.



All installations must comply with local authorities requirements for the discharge of exhaust air.

Incorrect installation may affect the safety of this chimney hood.

INSTALLATION REQUIREMENTS

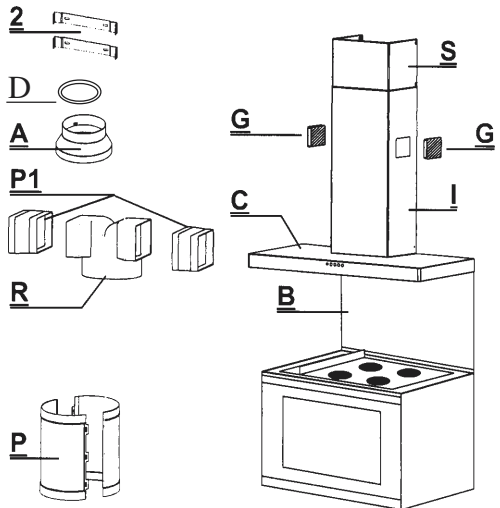


Before installation check the wall to which the hood is to be fitted for electric cables, gas and water pipes.

This chimney hood is designed to be fixed to any vertical surface over a cooking area, and can be used in the extraction (ducted to the outside) or recirculation mode.

The installation work must be undertaken by a qualified and competent person.

RANGEMASTER Consumer Products disclaims any responsibility for damage due to incorrect installation of the chimney hood or if the hood is not installed in compliance with relevant regulations controlling this type of installation.



INSTALLING THE CHIMNEY HOOD

CLEARANCE HEIGHTS

The chimney hood is designed to be fitted over a cooking appliance. A minimum clearance height of 650mm (25 1/2ins) is required when installed above a built-in electric hob, or 685mm (27ins) when installed above a built-in gas hob.

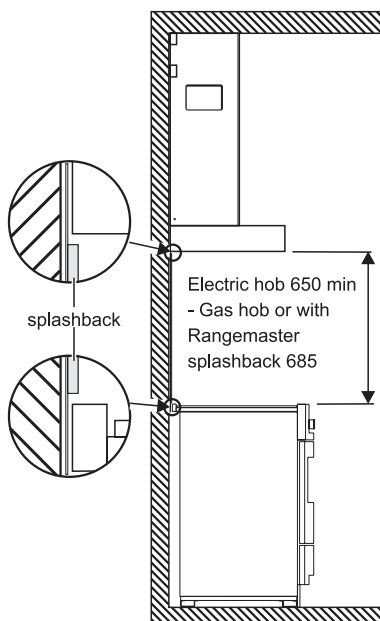
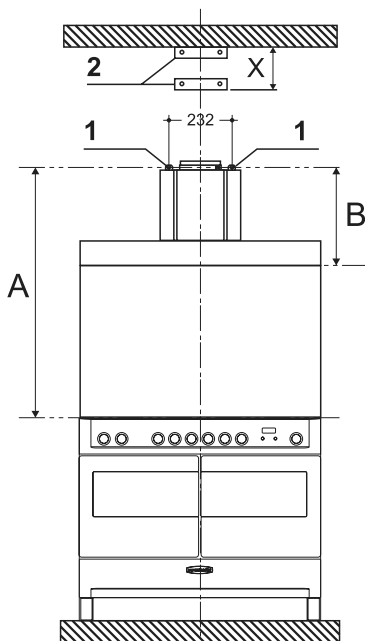
If fitting a Rangemaster splashback, fit the splash back after the cooker is installed but before the cooker hood. Measure 328 up from the top of the thick part of the splash (dimension 'B') for the hood fixing holes. If not fitting a splashback measure 1000 (dimension 'A') from the top of the cooker flue trim.

When installed between adjoining wall cabinets, the wall cabinets must not overhang the hob and the distance between the underside of the cabinet and worktop must be 450mm (17 1/2ins), and a gap of 50mm (2ins) must be maintained either side of the hob.

⚠ This chimney hood must not be installed above a cooking appliance with a high level grill.

FITTING THE WALL BRACKETS

1. Draw a vertical line on the wall as illustrated, from the centre of the cooking appliance up to the ceiling using a spirit level and marker pen. This is to ensure the correct vertical alignment of the various components during installation.
2. Place one of the brackets (2) against the wall, centrally over the vertical line approximately 2mm from the ceiling or from the upper most fixing point. Align the bracket using a spirit level and mark the two keyhole centre positions for the upper bracket fixing screws on the wall.
3. Place the second bracket (2) against the wall, centrally over the vertical line at distance X. (X being determined by the measurement of the upper chimney). Align the bracket using a spirit level and mark the two keyhole centre positions for the middle bracket fixing screws on the wall.



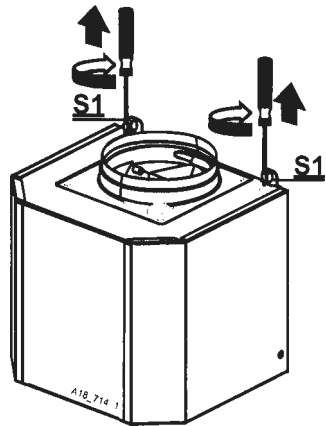
INSTALLING THE CHIMNEY HOOD

4. Drill the holes for the fixing screws using an 8mm masonry drill bit. Insert the rawl plugs and fix the brackets (2) using the 4.2 x 44.4mm screws provided.



DRILLING THE HOLES 1

1. Draw a horizontal line through the vertical 970mm up the wall from the top of the cooking appliance, ensuring it is level with a spirit level.
2. Mark the centres for the holes 1, 116mm either side of the vertical line.
3. Drill the two holes 1 for the fixing screws using an 8mm masonry drill bit. Insert the rawl plugs and the 4.2 x 44.4mm screws provided. Tighten the screws, leaving a space of 5-6mm between the head and the wall.

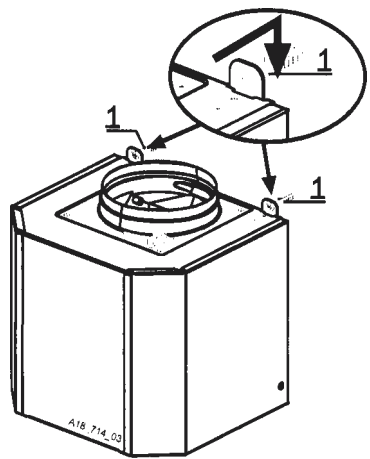


Note: If the chimney hood is to be installed onto a hollow construction plaster or partition board wall then special fixing screws will be required (not supplied).



FIXING THE CANOPY

1. Before starting to fix the canopy to the wall, it is necessary to adjust the support brackets **S1** by rotating the adjustment screws clockwise about half way through their length as illustrated opposite.
2. Hook the canopy **C** onto the two screws 1.
3. To level the canopy on the wall rotate the adjustment screws **S1** until the canopy is level and then tighten up the wall fixing screws to secure the canopy to the wall.
4. Before fitting the chimney to the canopy make the electrical connection as described in the section titled 'ELECTRICAL CONNECTION'.
5. When the electrical connection has been made, test the three speed fan and the spotlamps




INSTALLING THE CHIMNEY HOOD

DUCTING

The hood is more effective when used in the extraction mode (ducted to the outside).

When used in the extraction mode ensure the ducting spigot has been correctly fitted as illustrated.

 **The ducting used must be $\varnothing 125$ (5ins) or $\varnothing 150$ mm (6ins), flexible or rigid and must be manufactured from fire retardant material, produced to BS.476 or DIN.4102-B1. The choice should be made by the installer. However, we recommend flexible ducting should only be used as an accessory as rigid ducting will provide better performance while reducing noise levels.**

The ducting flange **D** should be sleeved over the spigot **A** when using 125mm (5ins) ducting as the European ducting spigot is $\varnothing 120$ mm.

Ducting kits can be obtained from Kitchen Specialist Distriutors, Builders Merchants and DIY stores.

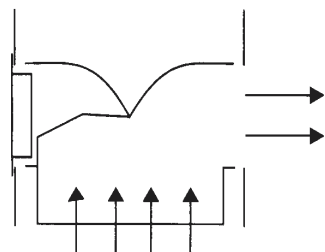
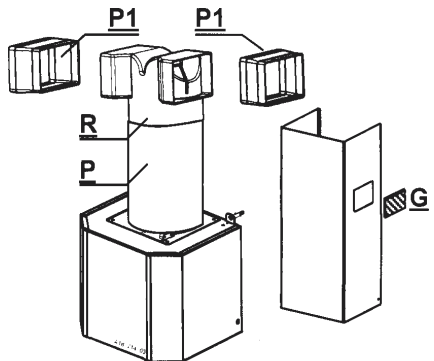
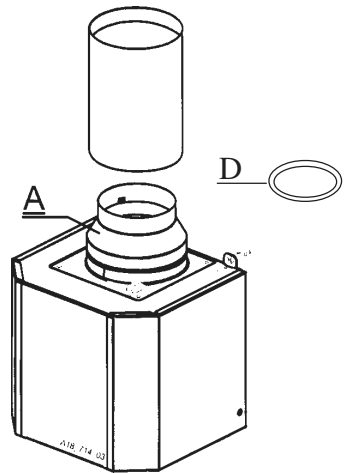
When the chimney hood is ducted to the outside the charcoal filter must be removed.

RECIRCULATION

If you are using the hood in the recirculation mode, ensure the charcoal filter is in position.

FITTING THE RECIRCULATION DUCTING

1. Connect the duct **P** to the round outlet on top of the fan housing, which push fits into position, by pressing it downwards until it meets the fan casing.
2. Connect the spigot **R** on to the top of the duct **P**, which push fit into position,



INSTALLING THE CHIMNEY HOOD

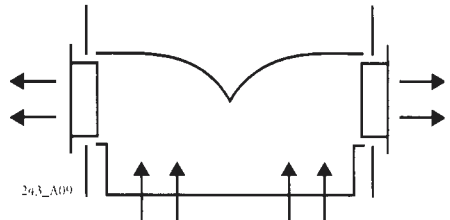
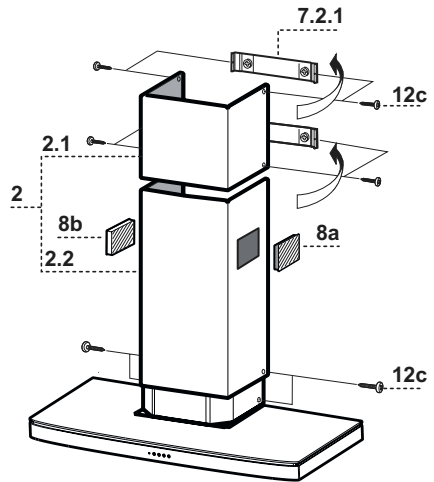
by pressing it downwards until the two pieces meet.

3. Connect the two recirculation extension ducting pipes **P1** on to the outlets on either side of the spigot **R**, which push fit into position, by pressing them horizontally until the two pieces meet.
4. Do not fit the recirculation grilles until after the chimney has been installed.

FITTING THE TELESCOPIC CHIMNEY


The chimney stack consists of two sections.

1. To fit the upper chimney section **S**, first apply pressure to expand the two side panels slightly to allow the chimney to be fitted around the two brackets **2** as illustrated opposite. Fix the chimney to the two brackets **2** using four of the screws provided with the fixing kit.
2. To fit the lower chimney section **I**, first apply pressure to expand the two side panels slightly to allow the chimney to be fitted around the upper chimney **S** and the canopy **C** as illustrated opposite. Fix the chimney to the canopy **C** using two of the screws provided with the fixing kit.
3. To fit the two push-fit recirculation grilles **G**, insert them one at a time into the holes on either side of the chimney and apply slight pressure until they snap into position. Ensure the grilles are fitted correctly with one arrow pointing upwards ▲ and one ► forwards.
4. When the hood is installed in the recirculation mode, ensure the recirculation grilles **G**, are properly secured to the inside of the recirculation ducting as illustrated opposite.





Dir. 89/336/CEE
73/23/CEE
93/68/CEE

The symbol  on the product or on its packaging indicates that this product may not be treated as household waste. Instead it shall be handed over to the applicable collection point for the recycling of electrical and electronic equipment. By ensuring this product is disposed of correctly, you will help prevent potential negative consequences for the environment and human health, which could otherwise be caused by inappropriate waste handling of this product. For more detailed information about recycling of this product, please contact your local city office, your household waste disposal service or the shop where you purchased the product.

RANGEmaster

Clarence Street, Royal Leamington Spa,
Warwickshire, CV31 2AD, England.

Tel: +44 (0) 1926 457400 Fax: +44 (0) 1926 450526

E-mail: consumers@rangemaster.co.uk

www.rangemaster.co.uk

AGA FOODSERVICE GROUP

Free Manuals Download Website

<http://myh66.com>

<http://usermanuals.us>

<http://www.somanuals.com>

<http://www.4manuals.cc>

<http://www.manual-lib.com>

<http://www.404manual.com>

<http://www.luxmanual.com>

<http://aubethermostatmanual.com>

Golf course search by state

<http://golfingnear.com>

Email search by domain

<http://emailbydomain.com>

Auto manuals search

<http://auto.somanuals.com>

TV manuals search

<http://tv.somanuals.com>