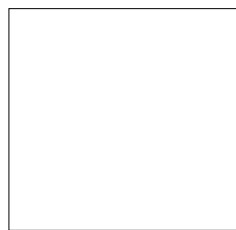


# *Elan*

## 110 Dual Fuel

with Glide-out™ grill



## Users Guide

Installation & Service Instructions

U109600-02



[www.rangemaster.co.uk](http://www.rangemaster.co.uk)

## Be safe

### Warning

**Accessible parts will become hot in use. To avoid burns and scalds children should be kept away.**

You need clean fresh air - so does your cooker. Burner flames produce exhaust gases, heat and moisture. Make sure that the kitchen is well ventilated: keep natural ventilation holes open or install a powered cooker hood that vents outside. If you have several burners on or use the cooker for a long time, open a window or turn on an extractor fan. For more detail see the Installation Instructions.

We recommend you read the 'General Safety Instructions' section if you have not used a gas cooker before. We describe some basic guidelines on how to use a gas cooker safely

## Gas and Electricity on

Make sure that the gas supply is turned on and that the cooker is wired in and switched on. The cooker needs electricity.

## Peculiar smells

When you first use your cooker it may give off a slight odour. This should stop after a little use.

**Before using for the first time, make sure that all packing materials have been removed and then to dispel manufacturing odours, turn the ovens to 230°C and run for an hour.**

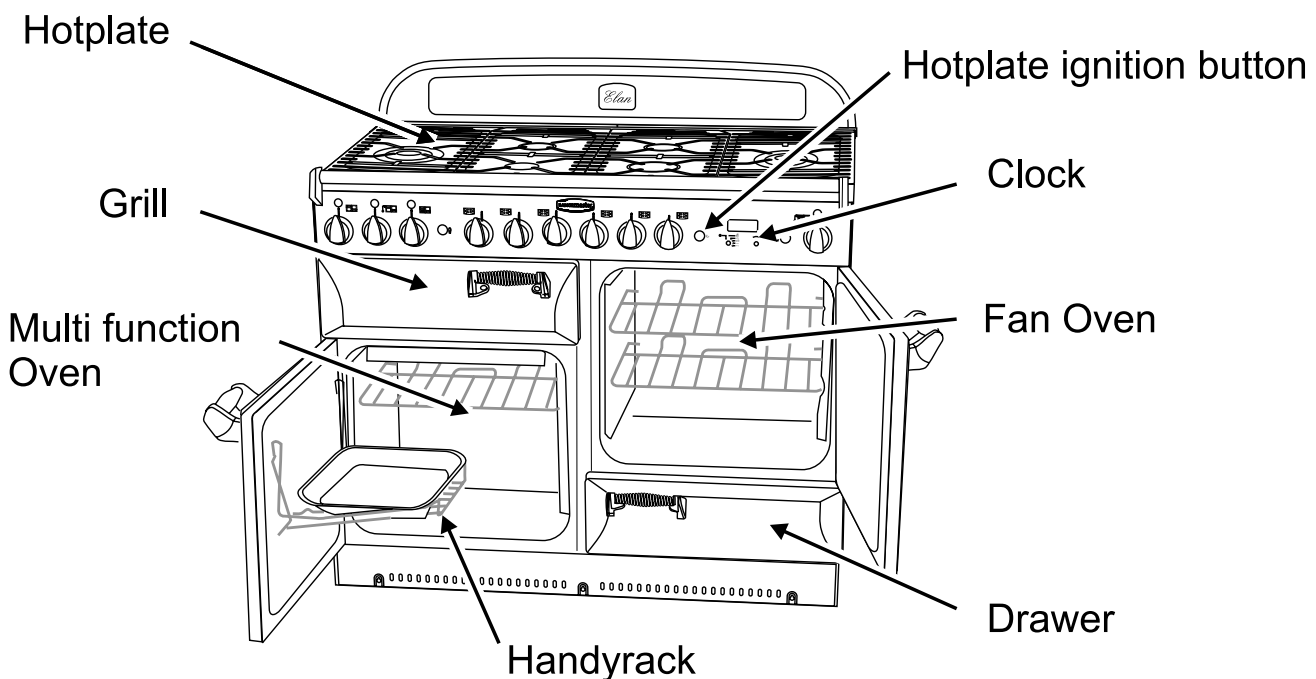
**Before using the grill for the first time you should also turn on the grill and run for 30 minutes with the grill pan in position, pushed fully back, and the grill door open.**

**Make sure the room is well ventilated to the outside air, by opening windows or turning on a cooker hood for example. We recommend that people with respiratory or allergy problems should vacate the area for this brief period.**

## Installation

In the UK the cooker must be installed by a CORGI registered engineer. Failure to install the appliance correctly could invalidate any warranty or liability claims and lead to prosecution. This appliance shall be installed in accordance with the regulations in force and only in a well ventilated space. Read the instructions before installing or using this appliance.

**This appliance should not be installed in a boat or caravan.**



# Contents

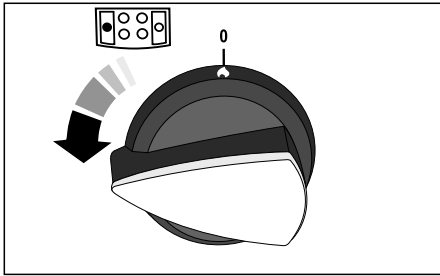
---

Hotplate Burners	Page 4
The Griddle	Page 5
The Wok cradle	Page 6
The Glide-out™ Grill	Page 7
The Ovens	Page 8
The Clock	Page 9
Both Ovens	Page 11
Multi-function oven	Page 12
Handyrack	Page 13
Oven shelves	Page 14
Storage	Page 15
Multi-function Oven cooking guide	Page 16
Oven Cooking chart - Conventional and full Fan oven functions	Page 17
Cleaning your cooker	Page 18
Moving your cooker	Page 22
Troubleshooting	Page 23
General Safety Instructions	Page 25
Installation	Page 27
Conversion to LP gas	Page 33
Servicing Notes	Page 34
Circuit Diagram	Page 38
Technical Data	Page 39

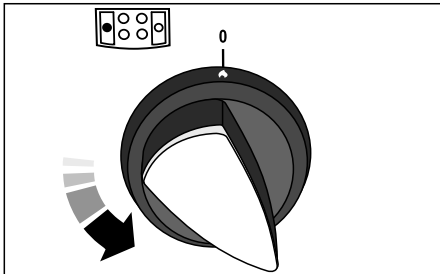
# Hotplate Burners

The drawing by each knob indicates which burner that knob controls.

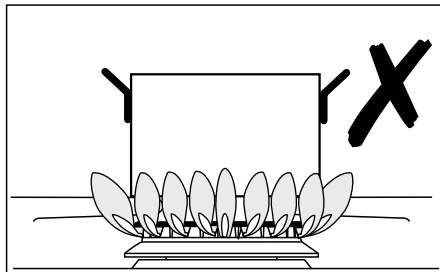
Press the igniter button and push in and turn a knob to the large flame symbol (🔥).



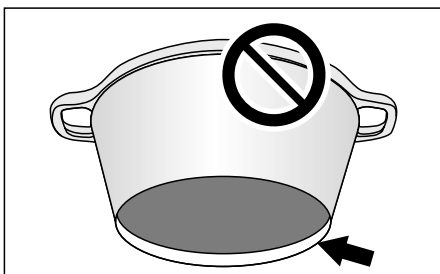
Adjust the flame height to suit by turning the knob. On this cooker the low position is beyond high, **not** between high and off. The small flame marks the 'low position'. Turn the knob towards it after the contents of a pan have boiled.



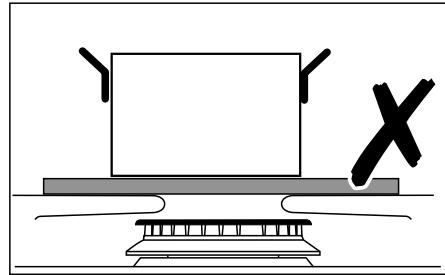
Make sure flames are under the pans. Using a lid will help the contents boil more quickly.



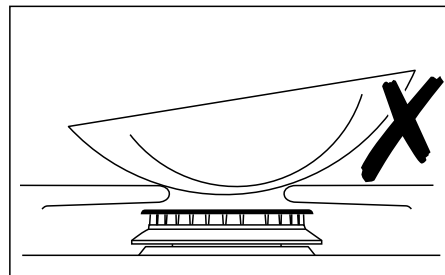
Pans and kettles with concave bases or down turned base rims should not be used.



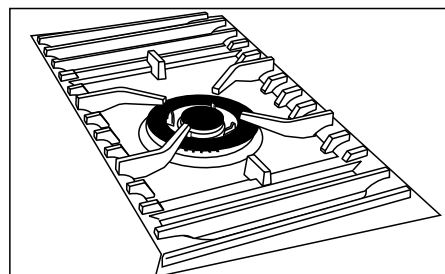
Simmering aids, such as asbestos or mesh mats, are NOT recommended. They will reduce burner performance and could damage the pan supports.



Avoid using unstable and misshapen pans that may tilt easily and pans with a very small base diameter e.g. milk pans, single egg poachers. The minimum pan diameter recommended is 120mm (about 4<sup>3</sup>/<sub>4</sub>").



The Wok burners are designed to provide even heat over a large area. They are ideal for large pans and stir frying. For heating smaller pans the smaller burners may be more efficient.



**When ignition button knob is pressed in, sparks will be made at every burner, this is normal.**

If after lighting, a hotplate burner's flame goes out, turn it off and leave it for one minute before relighting it.

**You can remove the burner cap and trim rings for cleaning, see pages 18/19.**

You should wipe the enamel top surface of the cooker around the hotplate burners as soon as possible after spills occur. Try to wipe them off while the enamel is still warm.

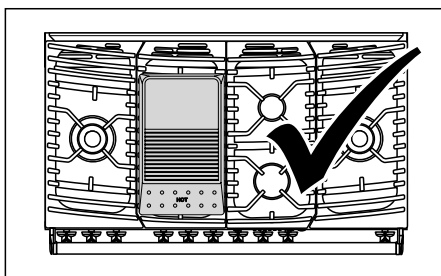
## Note:

Use of aluminium pans may cause metallic marking of the pan supports. This does not affect the

durability of the enamel and may be cleaned off with a metal cleaner such as 'Brasso'.

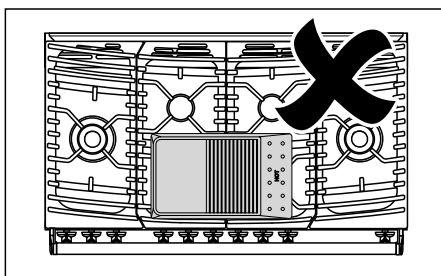
## The Griddle

The griddle fits the centre left pan support, front to back. It is designed for cooking food on directly. Don't use pans of any kind on it. The griddle surface is non-stick and metal cooking utensils (e.g. spatulas) will damage the surface. Use heat resistant plastic or wooden utensils.



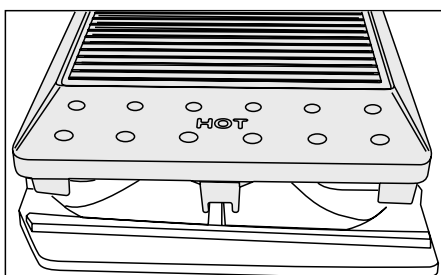
Don't put it crossways - it will not fit properly and will be unstable.

Don't put it on the Wok burners - it is not designed to fit the Wok burner pan supports.

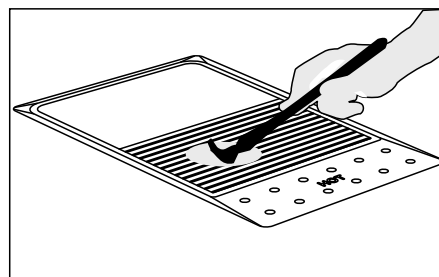


Position the griddle over the hotplate burners resting on the pan support.

Check that it is securely located.



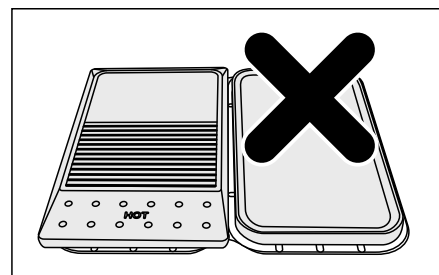
The griddle can be lightly brushed with cooking oil before use. Light the hotplate burners. Adjust the flame heights to suit.



Preheat the griddle for a maximum of 5 minutes before adding food. Leaving it longer may cause damage. The controls can be turned to a lower position simply by turning the control knobs towards the lower position marked with the small flame symbol.



Always leave space around the griddle for the gases to escape. **Never** fit two griddles side by side. Large pans should also be spaced well apart.



Use the following heat settings as a guide for griddle cooking.

### High/medium:

Drop scones, Bacon, Chops, Steak, Burgers.

### Medium/low:

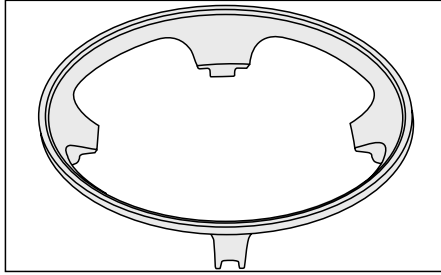
Potato cakes, Eggs, Fish cakes.

Experience will soon familiarise you with the correct setting to use for cooking.

After cooking allow the griddle to cool before cleaning.

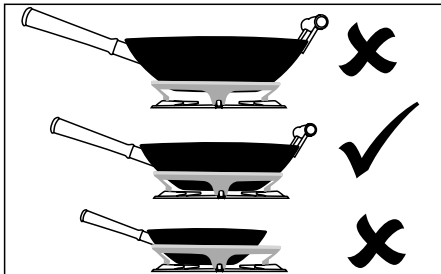
Don't put it on a Wok burner - it is not designed to fit the Wok burner pan supports.

# The Wok cradle

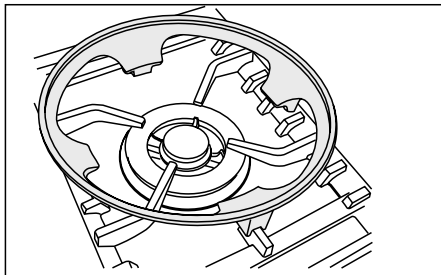


The Rangemaster Wok cradle is designed to fit a Typhoon™ Professional 14" Wok.

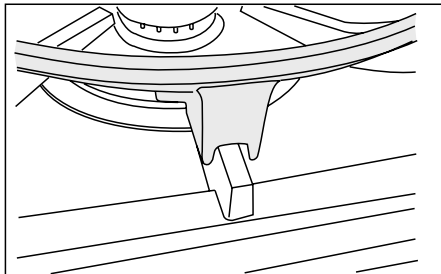
If you use a different Wok make sure that it fits the cradle. Woks vary very widely in size and shape. It's important that the Wok sits down on the pan support - but if the Wok is too small the cradle will not support it properly.



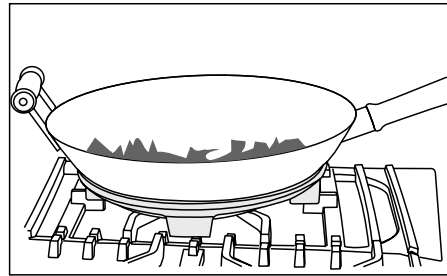
The cradle should be used on the triple ring Wok burner only.



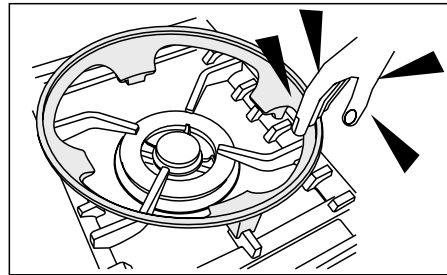
When you fit the cradle check that the Wok is properly located on the front and rear fingers and that it is supported properly on a pan support.



Make sure the cradle is stable and that the Wok is sitting level in the ring.



**The cradle will get very hot in use - allow plenty of time for it to cool before you pick it up.**



## Care and Cleaning

### Essential information

Never use paint solvents, washing soda, caustic cleaners, biological powders, bleach, chlorine based bleach cleaners, coarse abrasives or salt.

Recommended cleaning materials are hot soapy water, a moistened soap pad, cream cleaner or a nylon scourer.

# The Glide-out™ Grill

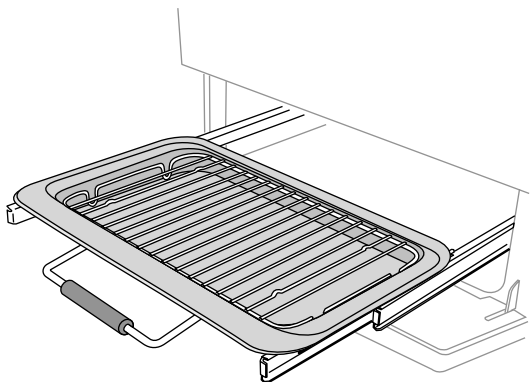
**Caution: Accessible parts may be hot when the grill is in use. Young children should be kept away.**

Before using the grill for the first time, make sure that all packing materials have been removed and then to dispel manufacturing odours, turn on the grill and run for 30 minutes with the grill pan in position, pushed fully back, and the grill door open.

Make sure the room is well ventilated to the outside air, by opening windows or turning on a cooker hood for example. We recommend that people with respiratory or allergy problems should vacate the area for this brief period.

## Using the grill

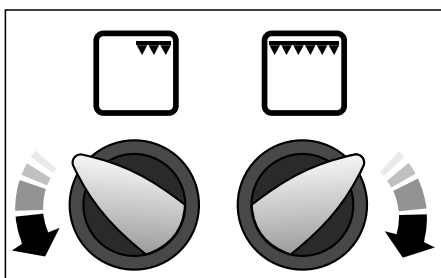
Open the grill door and pull the grill pan carriage forward using the handle.



**The grill pan gets very hot when the grill is on. Don't touch the pan or trivet unless you are sure it is cool.**

After placing your food on the grill grid, slide the grill carriage into the grill chamber. Make sure it is pushed right in.

The grill has two elements that allow either the whole area of the pan to be heated or just the right hand half. To heat the whole grill, turn the knob clockwise.



To heat the right hand half turn it anticlockwise.

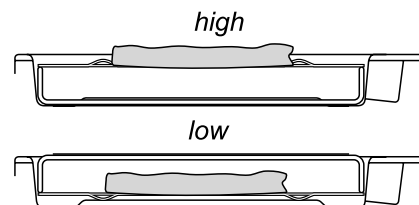
The neon indicator light by the grill control will come on.

For best results preheat for 2 minutes with the grill pan in position. After placing your food on the grill pan grid, slide in the grill carriage. Adjust the heat to suit by turning the knob.

Make sure the grill carriage is pushed right in.

**Never close the grill door when the grill is on.**

The grill pan grid can be turned over to give two grilling positions.



Don't leave the grill on for more than a few moments, without the grill pan underneath it.

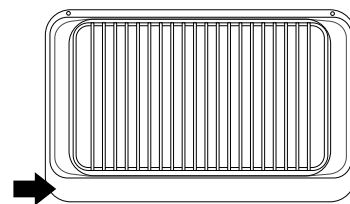
*For best results, especially with toast, preheat the grill with the grill pan in the cooking position for two minutes before use.*

**Before you remove any of the grill parts for cleaning make sure that they are cool or use oven gloves.**

The grill trivet can be removed and the food placed on it while you are waiting for the grill to preheat.

The grill pan and grill pan carriage can be easily removed for cleaning. See the '**Cleaning your cooker**' section of these instructions.

When you pull the grill pan forward is the wide rim at the front? It's important that the wider part is at the front.



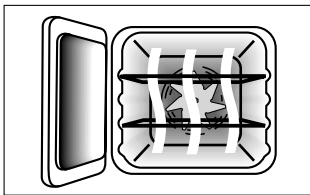
# The Ovens

During use the appliance becomes hot. Care should be taken to avoid the touching heating elements inside the oven.

Before using for the first time, to dispel manufacturing odours turn the ovens to 230°C and run for an hour. To clear the smell, make sure the room is well ventilated to the outside air, by opening windows or turning on a cooker hood for example. We recommend that people with respiratory or allergy problems should vacate the area for this brief period.

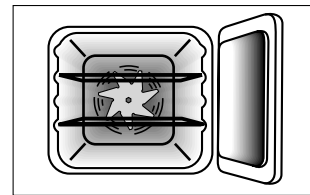
The clock must be set to the time of day before the ovens will work. See 'The Clock' section for instructions on setting the time of day.

## The Left Hand Oven

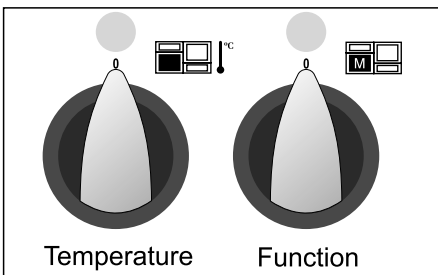


The left hand oven is a Multi-function oven. As well as the oven fan and fan element, it is fitted with two extra heating elements, one visible in the top of the oven and the second under the oven base. Take care to avoid touching the top element and element deflector when placing or removing items from the oven. For more detail on this oven see the section 'Multi-function oven'.

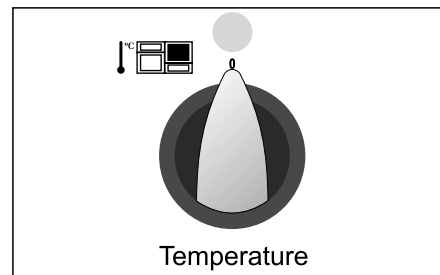
## The Right Hand Fan Oven



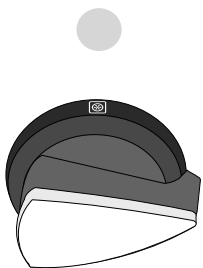
The fan in the right hand oven circulates hot air continuously, which means faster more even cooking. The recommended cooking temperatures for a fanned oven are generally lower than a non-fanned oven.



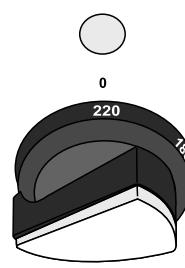
The Multi-function oven has two controls, a function selector and a temperature setting knob.



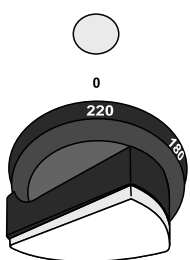
The right hand fan oven control is at the right hand end of the control panel.



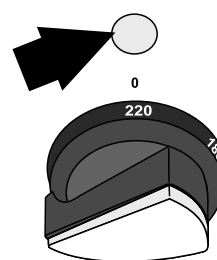
Turn the function selector control to a cooking function. This is the fan oven setting.



Turn the oven temperature knob to the temperature you need.



Turn the oven temperature knob to the temperature you need. The oven heating light will glow until the oven has reached the temperature you selected. It will then cycle on and off during cooking.



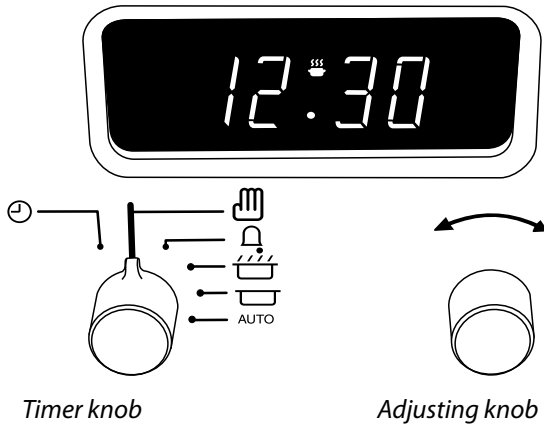
The oven indicator light will glow until the oven has reached the temperature you selected. It will then cycle on and off during cooking.



# The Clock

You can use the timer to turn the ovens on and off. The clock must be set to the time of day before the ovens will work.

## Setting the time of day



When the clock is first connected the display will flash ( 0 . 0 0 ) and ( 0 0 ) alternately.

<p>To set the clock to read the time of day turn and hold the Timer knob to the clock symbol (⌚).</p>	
---	--

<p>At the same time turn the Adjusting knob left or right until the clock shows the time of day.</p>	
--	--

Let go of the Timer knob and it will spring back to the vertical (⌚) oven manual setting.

If the key symbol (⌨) appears on the left of the display you have accidentally turned on the key lock feature. See the section 'Clock Special Features'.

## To time something that's cooking (minute minder)

<p>Turn the Timer knob to the right to the (⌚) minute minder setting - it should click into position.</p>	
---	--

<p>Use the Adjusting knob to set the time you need.</p>	
---	--

You can turn the knob back to the (⌚) manual setting to keep an eye on the time of day or leave it in the (⌚) minute minder position as the time ticks down.

## To stop the beeper when it sounds

Turn the Adjusting knob anticlockwise

## To stop automatically

Use when you have started the oven manually.

<p>Turn the Timer knob to the (⌚) position. Use the Adjusting knob to set the time you need.</p>	
--	--

<p>'Stop Time' shows. AUTO will show in the display.</p>	
--	--

Turn the Timer knob to the (AUTO) setting.

When your cooking is finished the beeper sounds. Turn the Timer knob to the vertical (⌚) to return to manual cooking.

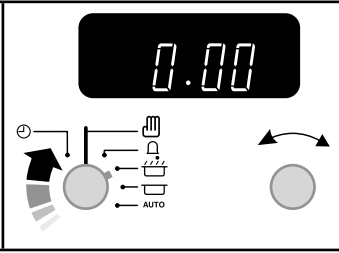
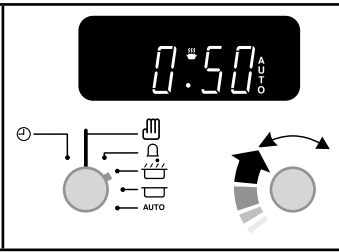
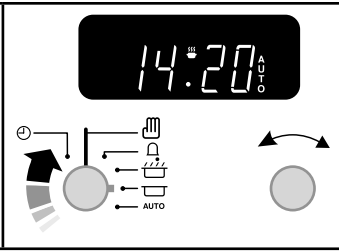
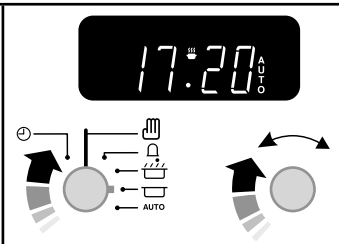
## To start & stop the oven automatically

Before you set the clock, you must have two numbers clearly in mind.

The **'cook time'**, which is the period of time you want the oven to cook.

The **'stop time'**, which is the time of day you want the oven to stop cooking.

You cannot set a start time directly - this is set automatically by setting the cooking period and stop time.

<p>Turn the Timer knob to the (🕒) position.</p>	
<p>Use the Adjusting knob to set the 'cooking time' you need.</p>	
<p>Turn the Timer knob to the (🕒) position. The display will show the current time of day plus the 'cook period' you just set.</p>	
<p>Use the Adjusting knob to set the 'Stop time' you need. 'Stop Time' shows. AUTO will show in the display.</p>	

Set the oven(s) to the cooking temperature you need (don't forget to set a function if using the Multi-function oven).

Turn the Timer knob to the (AUTO) setting.

When your cooking is finished the beeper sounds. Turn the Timer knob to the vertical (🕒) to return to manual cooking.

If you are out, don't worry about the beeper going off, it stops after a while. When you return, turn the Timer knob to the vertical (🕒) position to return to manual cooking. Turn the thermostat to the off position.

## AUTO is showing, you want to reset to manual cooking.

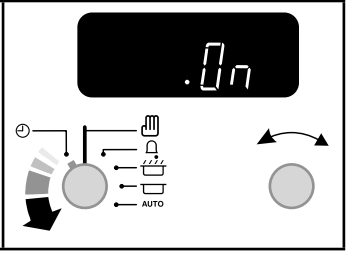
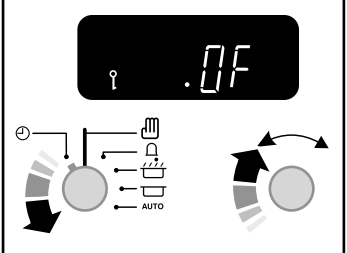
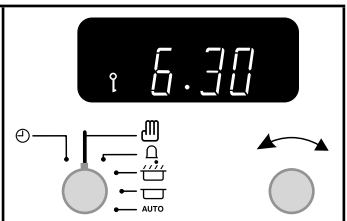
You can cancel any automatic settings by turning the Timer knob to the vertical manual symbol (🕒).

## Clock Special Features - Key Lock

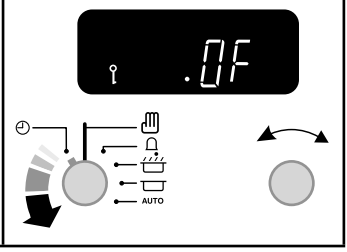
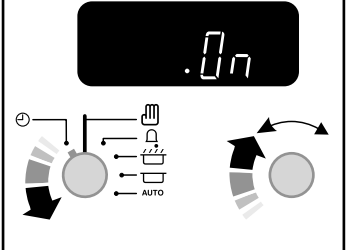
When the key lock is activated, the clock can be operated as usual but the ovens are locked and will not come on. This means that your child could select a cook program but the program will not be activated and ovens will not switch on.

### To activate the key lock

Make sure that the clock is in manual mode and cancel any active programs.

<p>Turn and hold the Timer knob to the clock symbol (🕒) for about 8 seconds. 'On' will appear on the display.</p>	
<p>Keep holding the Timer knob turned to the clock symbol (🕒) and turn the Adjusting knob clockwise until the key symbol (🔑) and 'Of' shows on the display. Let go of the knobs</p>	
<p>The ovens are now locked. After a few seconds the display will revert to show the time of day and the key symbol.</p>	

### To turn off the key lock

<p>Turn and hold the Timer knob to the clock symbol (🕒) for about 8 seconds. 'Of' will appear on the display.</p>	
<p>Keep holding the Timer knob turned to the clock symbol (🕒) and turn the Adjusting knob clockwise until the key symbol (🔑) goes out on the display and 'On' shows. Let go of the knobs.</p>	

## Both Ovens

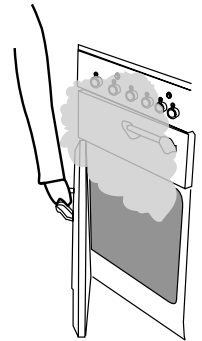
The wire shelves should always be pushed firmly to the back of the oven.

*Baking trays, meat tins et cetera should be placed level and centrally on the oven's wire shelves. Keep all trays and containers away from the sides of the oven, as overbrowning of the food may occur.*

For even browning, the maximum recommended size for a baking tray is 340mm by 340mm.

*Cooking high moisture content foods can create a 'steam burst', when the oven door is opened. When opening the oven stand well back and allow any steam to disperse.*

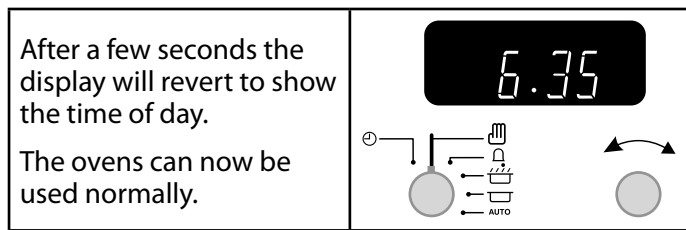
When the oven is on, don't leave the door open for longer than necessary, otherwise the knobs may get very hot.



- Always leave a 'fingers width' between dishes on the same shelf. This allows the heat to circulate freely around them.
- The Cook & Clean oven liners (see *Cleaning your cooker*) work better when fat splashes are avoided. Cover meat when cooking.



- To reduce fat splashing when you add vegetables to hot fat around a roast, dry them thoroughly or brush lightly with cooking oil.
- Sufficient heat rises out of the oven while cooking to warm plates in the grill compartment.
- If you want to brown the base of a pastry dish, preheat a baking tray for 15 minutes before placing the dish in the centre of the tray.
- Where dishes may boil and spill over during cooking, place them on a baking tray.



After a few seconds the display will revert to show the time of day.

The ovens can now be used normally.

### Cooking using the timer

The timer can be used to turn just one oven or both on and off automatically. The start and stop time must be the same for both ovens but different cooking temperatures can be set.

*If you want to turn one of the ovens on at the same time as the timer is set for automatic cooking, you must wait until the timer has turned on the oven/ ovens first. Then you can adjust either of them manually in the normal way.*

You can set the oven to turn on any time over the following 24 hour period.

*If you want to cook more than one dish, choose dishes that require approximately the same time. However, dishes can be 'slowed down' slightly by using small containers and covering them with aluminium foil, or 'speeded up' slightly by cooking smaller quantities or placing in larger containers.*

Very perishable foods such as pork or fish should be avoided if a long delay period is planned, especially in hot weather.

*Don't place warm food in the oven.*

*Don't use an oven already warm.*

*Don't use if an adjoining oven is warm.*

Avoid using wine or beer if there is a delay period, as fermentation may take place.

*To avoid curdling, cream should be added to dishes just before serving.*

Fresh vegetables, which may discolour during a delay period, should be coated in melted fat or immersed in a water and lemon juice solution.

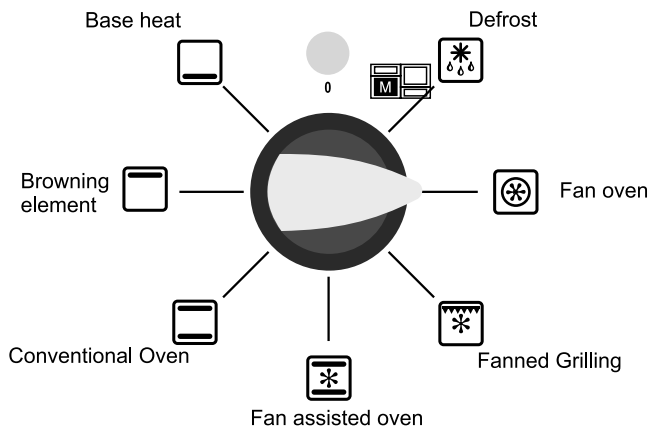
Fruit pies, custard tarts or similar wet mixtures on top of uncooked pastry are only satisfactory if there is a short delay period. Dishes containing leftover cooked meat or poultry should not be cooked automatically if there is a delay period.

*Whole poultry must be thoroughly defrosted before placing in the oven.*

*Check that meat and poultry are fully cooked before serving.*

# Multi-function oven

The Multi-function oven is on the left hand side. It has many varied uses. We suggest you keep a careful eye on your cooking until you are familiar with each function. Remember - not all functions will be suitable for all food types.



Please remember that all cookers vary - temperatures in your new Elan ovens may differ to those in your previous cooker.

## Multi-function oven functions



### Defrost

This function operates the fan to circulate cold air only. No heat is applied. This enables small items such as desserts, cream cakes and pieces of meat, fish and poultry to be defrosted.

Defrosting in this way speeds up the process and protects the food from flies. Pieces of meat, fish and poultry should be placed on a rack, over a tray to catch any drips. Be sure to wash the rack and tray after defrosting.

Defrost with the oven door closed.

Large items, such as whole chickens and joints should not be defrosted in this way. We recommend this be carried out in a refrigerator.

Defrosting should not be carried out in a warm oven or when an adjoining oven is in use or still warm.

Ensure that dairy foods, meat and poultry are completely defrosted before cooking.



### Fan oven

This function operates the fan and the heating element around it. An even heat is produced throughout the oven, allowing you to cook large amounts quickly.

Fan oven cooking is particularly suitable for baking on several shelves at one time and is a good 'all-round' function. It may be necessary to reduce the temperature by approximately 10°C for recipes previously cooked in a conventional oven.

If you wish to pre-heat the oven, wait until the indicator light has gone out before inserting the food.



### Fanned grilling

This function operates the fan whilst the top element is on. It produces a more even, less fierce heat than a conventional grill. For best results, place the food to be grilled, on a grid over a roasting tin, which should be smaller than a conventional grill pan. This allows greater air circulation. Thick pieces of meat or fish are ideal for grilling in this way, as the circulated air reduces the fierceness of the heat from the grill. The oven door should be kept closed whilst grilling is in progress, so saving energy. You will also find that the food needs to be watched and turned less than for normal grilling. Pre-heat this function before cooking.



### Fan assisted oven

This function operates the fan, circulating air heated by the elements at the top and the base of the oven. The combination of fan and conventional cooking (top and base heat) makes this function ideal for cooking large items that need thorough cooking, such as a large meat roast. It is also possible to bake on two shelves at one time, although they will need to be swapped over during the cooking time, as the heat at the top of the oven is greater than at the base, when using this function.

This is a fast intensive form of cooking; keep an eye on the food cooking until you have become accustomed to this function.

## Handyrack



### Conventional oven (top and base heat)

This function combines the heat from the top and base elements. It is particularly suitable for roasting and baking pastry, cakes and biscuits. Food cooked on the top shelf will brown and crisp faster than on the lower shelf, because the heat is greater at the top of the oven than at the base, as in 'Fan assisted oven' function. Similar items being cooked will need to be swapped around for even cooking. This means that foods requiring different temperatures can be cooked together, using the cooler zone in the lower half of the oven and hotter area to the top.



### Browning element

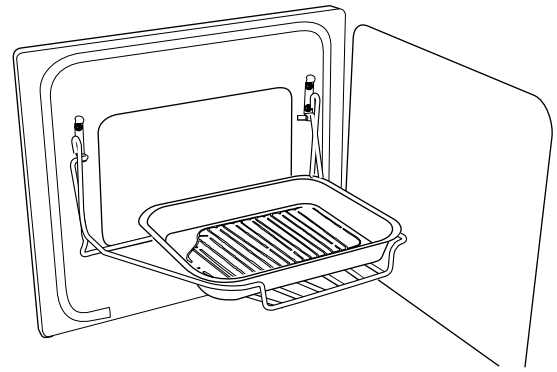
This function uses the element in the top of the oven only. It is a useful function for the browning or finishing of pasta dishes, vegetables in sauce, shepherds pie and lasagne, the item to be browned being already hot before switching to the top element.



### Base heat

This function uses the base element only. It will crisp up your pizza or quiche base or finish off cooking the base of a pastry case on a lower shelf. It is also a gentle heat, good for slow cooking of casseroles in the middle of the oven or for plate warming.

The Browning and Base heat functions are useful additions to your oven, giving you flexibility to finish off items to perfection. With use, you will soon realise how these functions can combine to extend your cooking skills.



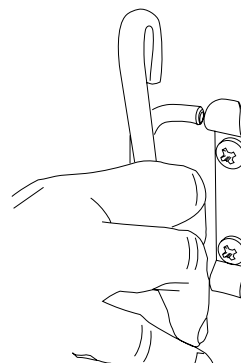
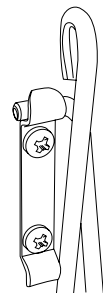
*The maximum weight than can be held by the Handyrack is 5.5kg (12lb). It should only be used with the supplied meat tin, which is designed to fit the Handyrack. Any other vessel could be unstable.*

The Handyrack fits on the oven door. Food cooking on it is easy to attend to, because it's accessible when the door is open. It can be fitted at two different heights. One of the oven shelves must be removed and the other positioned to suit.

When the Handyrack is used in its highest position, other dishes can be cooked on the bottom shelf position of the oven.

When the Handyrack is used in its lowest position, other dishes can be cooked on the second shelf position of the oven.

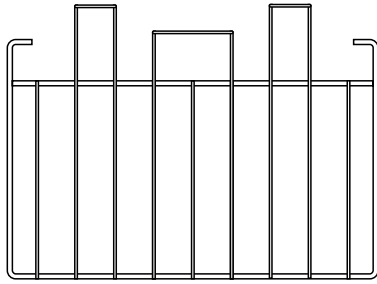
To fit the Handyrack, locate one side of it on the door bracket.



Then spring the other side out to clip it onto the other bracket.

# Oven shelves

Top view



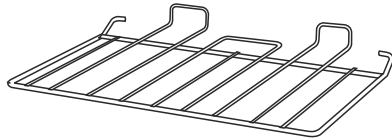
Side view



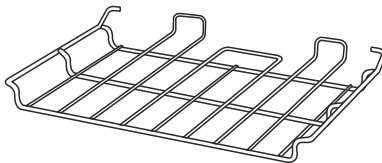
*the shelf guard should be at the back pointing upwards*

As well as the flat shelves some models are supplied with drop shelves. The drop shelves increases the possibilities for oven shelf spacing.

Flat shelf

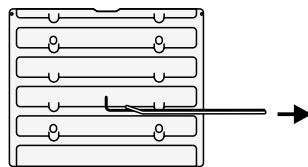


Drop shelf

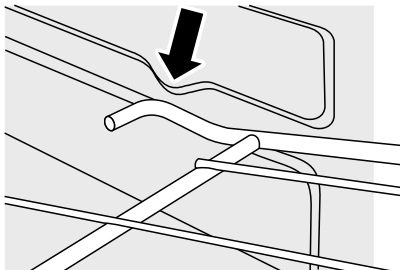
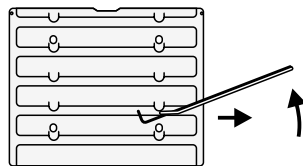


The oven shelves can be easily removed and refitted.

Pull the shelf forward until the back of the shelf is stopped by the shelf stop bumps in the oven sides.

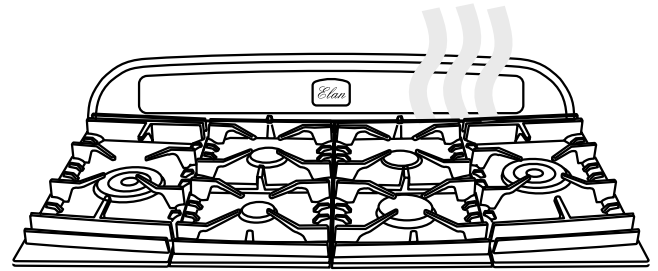


Lift up the front of the shelf so the back of the shelf will pass under the shelf stop and then pull the shelf forward.



To refit the shelf, line up the shelf with a groove in the oven side and push the shelf back until the ends hit the shelf stop. Lift up the front so the shelf ends clear the shelf stops, and then lower the front so that the shelf is level and push it fully back.

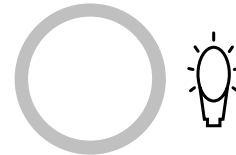
# Steam



During cooking, food naturally produces steam, particularly when cooking foods with high water content (e.g. oven chips). There may be some steam visible at the grille at the rear of the hotplate. This is perfectly normal.

As this steam can condense to water droplets on the cool outer trim of the oven, it may be necessary during cooking to wipe away any moisture with a soft cloth. This will also help to prevent soiling and discolouration of the oven exterior by cooking vapours.

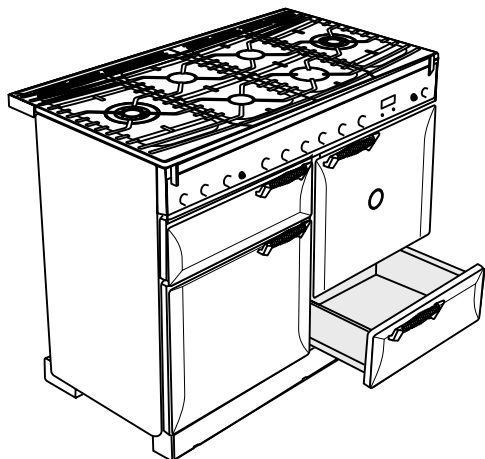
# Oven light



Press the appropriate button to turn on one of the oven lights.

If one of the oven lights fail, **turn off the power supply** before you change the bulb. See the 'Troubleshooting' section for details on how to change an oven light bulb.

# Storage

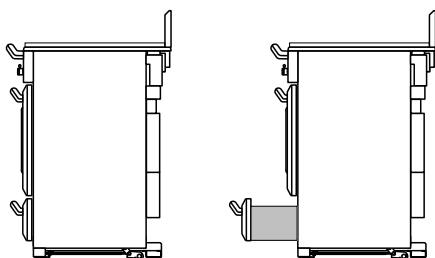


The bottom drawer is for storing oven trays and other cooking utensils.

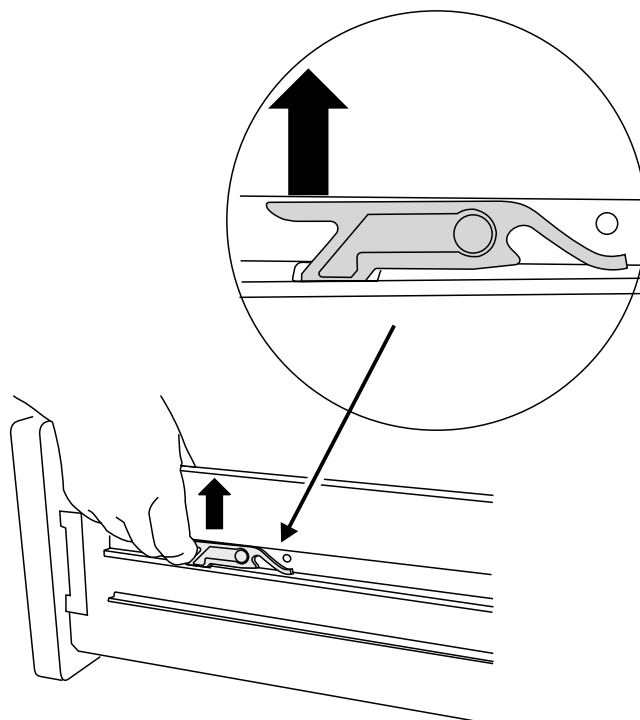
It can get very warm, don't store anything in it that may melt or catch fire.

The drawer can be removed completely for cleaning etc.

- 1** To remove the drawer, pull it fully forward



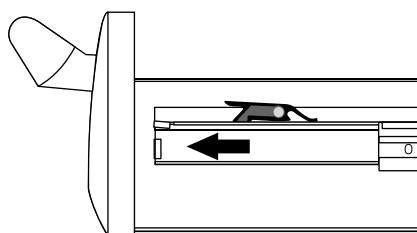
- 2** Lift up the ends of the plastic clips (one each side) to release the catches holding the drawer to the side runners and at the same time pull the drawer forward and away from the side runners.



For safety's sake push the drawer runners back out of the way.

- 3** To refit the draw

Pull the side rails fully out. Carefully move the drawer back between the rails and rest it on the side rails.



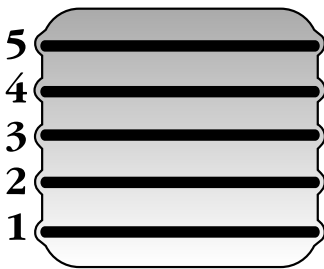
At each side hold the front of the drawer and pull the side rail forward so that the clips click into position holding the drawer to the side rails.

# Multi-function Oven cooking guide

Remember - not all functions will be suitable for all food types. The oven control settings and cooking times given are intended to be used only as a guide. Individual tastes may require the temperature to be altered to provide a preferred result.

Food is cooked at lower temperature in a fan oven than in a conventional oven. When using recipes, reduce the temperature by 10°C and the cooking time by 5-10 minutes. The temperature in the fanned oven does not vary with height in the oven - so you can use any shelf.

The shelves should not be fitted directly one above the other. When cooking on more than one shelf always leave at least one runner space between them. Place baking trays, individual cake tins or baking dishes centrally on the oven shelf. For best results pre-heat the oven until the oven indicator light goes out.



## Cooking chart - Fan assisted oven function

Food	Temp	Oven Shelf Position	Approximate Cooking Time
Fairy cake	170°C	2-4	20 min
Scone	180°C	2-4	15 min
Deep apple pie	160°C	2-4	45 min interchange after 25 minutes
Plate tart	190°C	2-4	45 min interchange After 25 minutes
Rich fruit cake 197mm x 92mm	145°C	3	1 hr 45 min - 2 hr
Victoria sandwich 180mm	170°C	2-4	20 - 25 min
Milk pudding	150°C	3	2 hrs
Puff pastry	220°C	3 - 5	15-40 mins according to size. Interchange 2/3rds through cooking time

For roast meats and poultry refer to the Fan oven guide - reduce cooking time slightly.

500g is approximately 1lb (1lb 2oz)

**Ensure meat and poultry is fully cooked before serving**



# Oven Cooking chart - Conventional and full Fan oven functions



Convection Oven

Fan Oven

Food	Convection Oven		Fan Oven	
	Temperature	Shelf Position	Temperature	Approximate Cooking Time
<b>FISH</b>				
	190°C	3	180°C	Fillets 15-20mins.
	190°C	3	180°C	Whole 10mins.per 500g + 10mins.
	190°C	3	180°C	Steaks according to thickness.
<b>ROAST MEATS</b>				
Beef with bone	160°C	2-3	150°C	20-25mins. per 500g + 20-25mins.
	200°C	2-3	190°C	15-20mins. per 500g + 15-20mins.
Beef without bone	160°C	2-3	150°C	30-35mins. per 500g + 30-35mins.
	200°C	2-3	190°C	20-25mins. per 500g + 20-25mins.
Lamb	160°C	2-3	170°C	30-35mins. per 500g + 30-35mins.
	200°C	2-3	190°C	25-35mins. per 500g + 25-30mins.
Pork	160°C	2-3	150°C	35-40mins. per 500g + 35-40mins.
	200°C	2-3	190°C	25-30mins. per 500g + 25-30mins.
Stuffed and rolled - Add approx. 10 mins. per 500g to above cooking times or cook at 200°C for 20mins. then 160°C for remainder.				
<b>THOROUGHLY THAW FROZEN JOINTS AND POULTRY BEFORE COOKING.</b>				
<b>POULTRY</b>				
Chicken	160°C	2-3	150°C	20-25mins. per 500g + 20-25mins.
	200°C	2-3	190°C	15-20mins. per 500g + 15-20mins.
Turkey	160°C	2	150°C	20-25mins. per 500g + 20-25mins.
	200°C	2	190°C	15-20mins. per 500g + 15-20mins.
Stuffed Poultry - Cook at 200°C or at 200°C for 20mins. then 160°C for remainder. Prepacked (fresh or frozen) follow packers cooking times				
<b>CASSEROLE</b>	140-150°C	2-3	140°C	2-4hrs according to recipe
<b>YORKSHIRE PUDDING</b>	220°C	4	200°C	Large tin 30-35mins. Individual 10-20mins.
<b>CAKES</b>				
Very Rich Fruit	140°C	2	140°C	45-50mins. per 500g mixture
Rich fruit (180mm)	150°C	2	145°C	2½-3hrs.
Madeira (180mm)	160°C	2	150°C	80-90mins.
Queen Cakes	180°C	2 & 4 or 3	170°C	15-25mins.
Scones	200°C	2 & 4 or 3	190°C	10-15mins.
Victoria Sandwich	180°C	2 & 4 or 3	170°C	20-30mins.
<b>PASTRIES</b>				
Plate Tart	200°C	2 & 4	190°C	45-50mins. Interchange after 25mins.
Fruit Pie	200°C	2 & 4	190°C	35-40mins.
Tartlets	200°C	4	190°C	15-20mins. according to size.
Puff Pastry	220°C	2, 3 or 4	200°C	20-40mins. according to size.
<b>BREAD</b>	220°C	2 & 4	200°C	20-30mins.
<b>MERINGUES</b>	110°C	3	100°C	2-2½hrs
<b>PUDDINGS</b>				
Baked Egg Custard	160°C	3	150°C	45mins.-1hr.
Baked sponge pudding	190°C	3	180°C	40-45mins.

# Cleaning your cooker

## Essential information

Before thorough cleaning isolate the electricity supply. Remember to switch on the electricity supply before use.

**Never use paint solvents, washing soda, caustic cleaners, biological powders, bleach, chlorine based bleach cleaners, coarse abrasives or salt. Don't mix different cleaning products - they may react together with hazardous results. Do not use a steam cleaner on your cooker.**

If you want to move your cooker for cleaning, see the section called 'Moving your cooker'.

All parts of the cooker can be cleaned with hot soapy water - **but take care that no surplus water seeps into the appliance.**

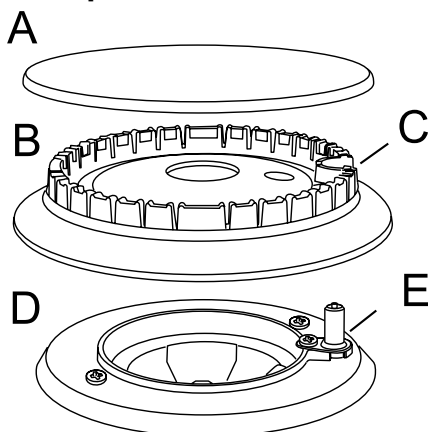
For cleaning materials see the 'Cleaning Table' at the end of this section.

## Hotplate burners

Some models have a separate trim ring, which fits on the burner head.

The burner heads and caps can be removed for cleaning. Make sure they are absolutely dry before replacing.

## The central hotplate

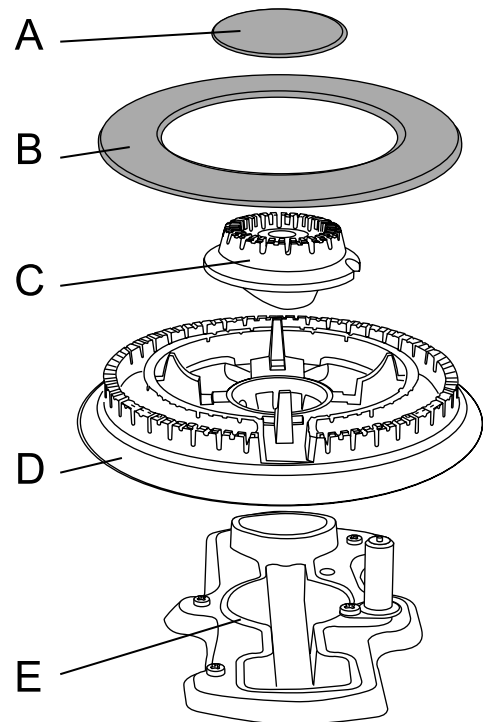


A - cap, B - head, C - notch, D - electrode, E - base

When refitting the burner head, make sure that the notch lines up with the electrode or hole in the base. Check that the burner head is level and that the cap is fitted centrally on the burner head.

## The Wok burners

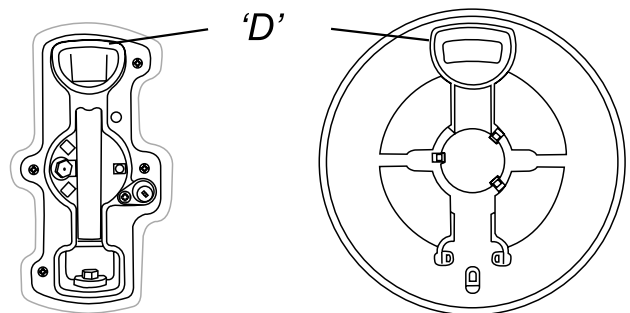
The Wok burners are a little more complicated but it also can be taken apart for cleaning.



Wok burner

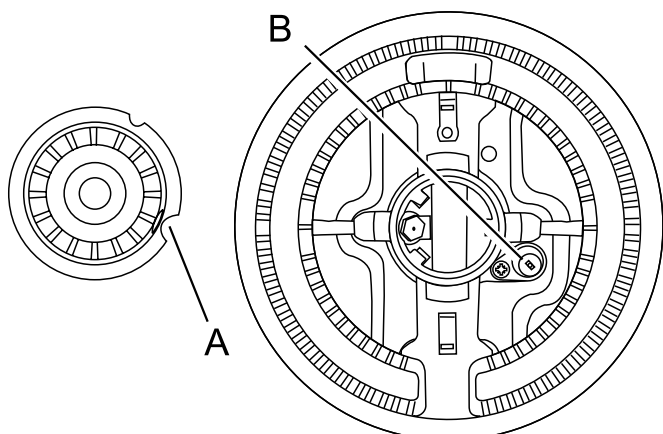
A - Inner burner cap, B - Outer burner cap, C - Inner burner head, D - Outer burner head, E - Wok burner base

When reassembling a Wok burner, turn over the large base ring and find the 'D' shaped area.



Turn the head until the 'D' matches the one on the burner base. Turn the head over and place it on the burner base.

To fit the small inner burner, find the larger electrode notch in the burner rim. Line this up with the white ignition electrode and place the inner burner on the large base ring.



A - Electrode notch, B - Ignition electrode

Now fit the two trim rings, making sure that they are sitting down properly.

## Griddle

Always clean the griddle after use. Allow to cool completely before removing. Immerse the griddle plate in hot soapy water. Use a soft cloth or, for stubborn stains, a nylon washing up brush.

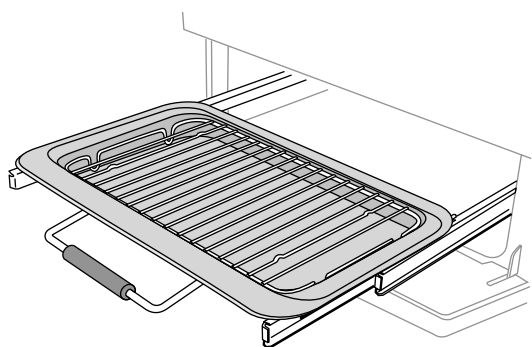
NEVER USE CAUSTIC OR ABRASIVE CLEANERS AS THESE WILL DAMAGE THE SURFACE.

## Glide-out™ Grill

**Before you remove any of the grill parts for cleaning make sure that they are cool.**

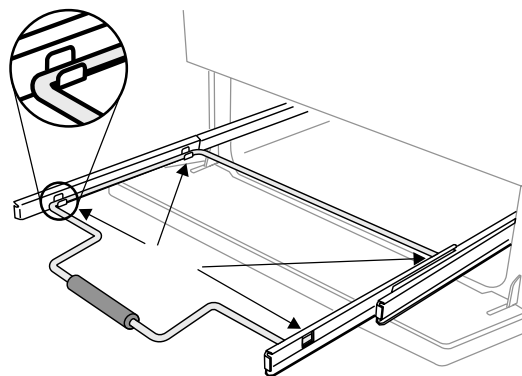
The grill pan and grid should be washed in hot soapy water. After grilling meats or any foods that soil, leave to soak for a few minutes in the sink immediately after use. Stubborn particles may be removed from the grid by using a nylon brush. Alternatively the grill pan can be washed in a dish washer.

To remove the grill pan support frame, pull the grill pan forward.

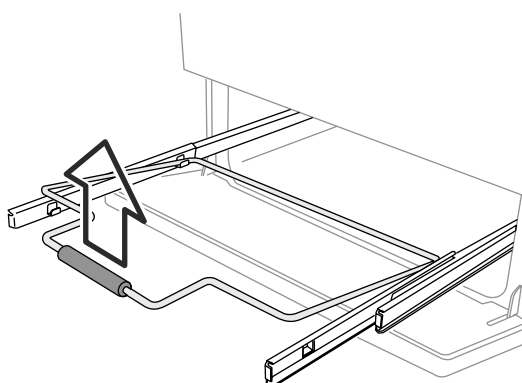


Lift the grill pan clear of the support frame.

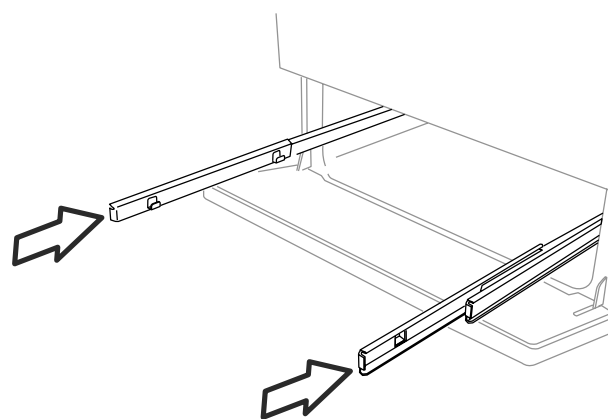
The support frame is held to the side rails by two clips on each side.



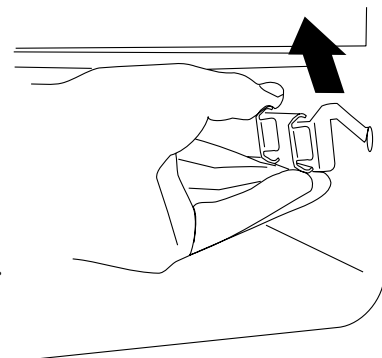
For each side, support the side rail with one hand and with the other hand lift the frame up and out of the side clips.



For safety, push the side rails back into the grill chamber.



The side rails can be removed to make cleaning the grill chamber easier by unhooking them from the grill chamber sides.



Slides can be wiped clean with soft cloth and mild detergent.

## Cleaning Table

### Hotplate

Part	Finish	Recommended Cleaning Method
Hotplate Top	Enamel or Stainless Steel	Hot soapy water, soft cloth. Any stubborn stains remove gently with a nylon scourer.
Pan Supports, Wok Cradle (some models only)	Enamel coated Cast Iron or Stainless Steel	Cif Cream Cleaner- <i>Faberge Lever</i> and a nylon scourer. Dishwasher.
Warming Zone (some models only)	Toughened Glass	Hot soapy water, cream cleaner/scourer if necessary.
Burner Caps	Enamel	Cream cleaner, nylon scourer. Dishwasher
Burner Trim Rings (some models only) and Burner Head	Aluminium	Cif or other cream cleaner with a soft cloth. Be careful not to be over vigorous.
Griddle Plate (some models only)	Non-Stick Surface	Allow to cool. Wash in hot soapy water. Do not use abrasive cleaners/scourers. Dishwasher.

### Outside of cooker

Part	Finish	Recommended Cleaning Method
Door, Door surround and Storage Drawer exterior.	Enamel or paint	Hot soapy water, soft cloth. Any stubborn stains, remove gently with a liquid detergent.
	Stainless Steel	E Cloth (Comet) or Vileda Microfibre Plus All Purpose Cloth <i>Freudenberg Household Products LP</i> (supermarket)
Sides and Plinth	Painted surface	Hot soapy water, soft cloth
Splashback/Rear Grille	Enamel or Stainless Steel	Hot soapy water, soft cloth. Cream cleaner, with care, if necessary.
Control panel	Paint, Enamel or Stainless Steel	Warm soapy water. Do not use abrasive cleaners on lettering.
Control Knobs/Handles	Plastic/ Chrome	Warm soapy water, soft cloth.
Oven Door Glass	Toughened glass	Hot soapy water, cream cleaner if necessary.

### Oven and Grill

Part	Finish	Recommended Cleaning Method
Sides, floor & roof of oven - <b>NOT COOK &amp; CLEAN OVEN PANELS</b> (see below)	Enamel	Any proprietary oven cleaner that is suitable for enamel. CAUTION: CORROSIVE/CAUSTIC OVEN CLEANERS - FOLLOW MANUFACTURERS INSTRUCTIONS. Do not allow contact with the oven elements. Protect the burner in gas ovens with foil whilst cleaning the oven interior.
Cook & Clean Oven Panels (some models only)	Special enamel that partly cleans itself	This surface cleans itself at 200°C and above, or the panels can be removed and washed with hot soapy water and a nylon brush. (see 'The Ovens' in 'Cleaning your cooker')
Oven Shelves, Handyrack, Grill Trivet, Handygrill rack	Chrome	An oven interior cleaner that is suitable for chrome. Soap filled pad. Dishwasher.
Grill Pan/Meat Tin, (some models only)	Enamel	Hot soapy water. Soap filled pad (Brillo). Dishwasher.

Cleaners listed are available from Supermarkets or electrical retailers as stated. Cleaner manufacturer in Italics

For enamelled surfaces use a cleaner that is approved for use on vitreous enamel. The vitreous enamel association has a list of approved cleaners. Contact them via their website [www.ive.org.uk](http://www.ive.org.uk) or telephone: 01527 893031.

Regular cleaning is recommended. For easier cleaning, wipe up any spillages immediately.

To help keep your oven clean, cover meat when roasting, with foil or use a roasting bag. Brush vegetables with fat before placing around the meat.

**Do not** use any abrasive substance.

**DO NOT put the side runners in a dishwasher**

When you have finished, hook the side rails back onto the sides of the chamber. To refit the frame pull the side rails forward and for each side in turn support the side rail and press the frame down into the side rails. Replace the grill pan.

## Control Panel and Doors

Avoid using any abrasive cleaners including cream cleaners, e.g. Cif, on brushed Stainless Steel surfaces. For best results use a liquid detergent e.g. Domestos Multi Surface Cleaner.

The control panel and control knobs should only be cleaned with a soft cloth wrung out in clean hot soapy water. Wipe with a clean dampened cloth then polish with a dry cloth. The oven doors should only be cleaned with a soft cloth wrung out in clean hot soapy water.

## Ovens

The ovens have removable panels that have been coated with a special enamel that partly cleans itself. This does not stop all marks on the lining, but helps to reduce the amount of manual cleaning needed.

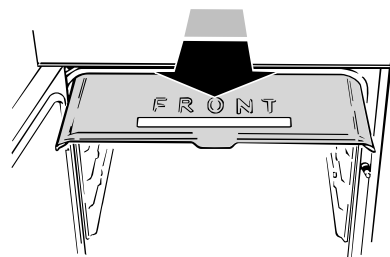
*The Cook & Clean panels work better above 200°C. If you do most of your cooking below this temperature, occasionally remove the panels and wipe with a lint free cloth and hot soapy water. The panels should then be dried and replaced and the oven heated at 200°C for about one hour. This will ensure the Cook & Clean panels are working effectively.*

Don't use steel wool (Brillo) or any other materials that will scratch the surface. Don't use oven cleaning pads.

## Removing the Oven Linings

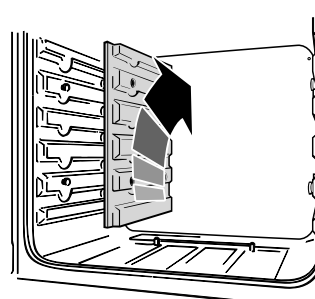
Some of the lining panels can be removed for cleaning and for cleaning behind. Remove the shelves first.

On some models the right hand fanned oven has a removable oven roof - if fitted slide the roof liner forward and remove.



The side panels of either oven can be removed.

Each side of the oven is fixed with four fixing screws. You don't have to remove the screws to remove the oven linings. Lift each side panel upwards and they will slide off the screws. Then pull them forwards.



Once the linings are removed, the oven enamel interior can be cleaned.

When replacing the linings fit the side linings first.

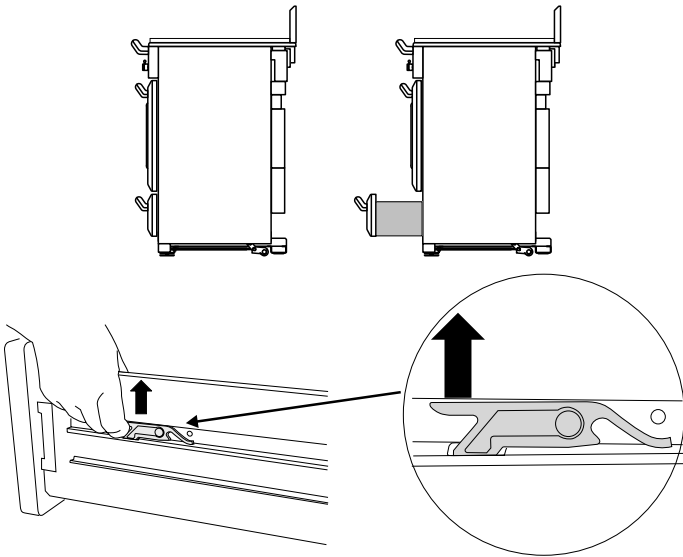
Make sure you fit the oven roof with the slot at the front.

# Moving your cooker

Switch off the electricity supply.

*The cooker is heavy; two people may be required to move it.*

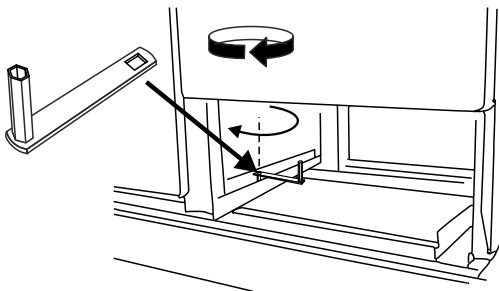
First remove the drawer. Pull it right out and lift up the ends of the plastic clips (one each side) to release the catches holding the drawer to the side runners and at the same time pull the drawer forward and away from the side runners.



For safety's sake push the drawer runners back out of the way.

There are also two screw down levelling feet at the front of the cooker. The cooker is also fitted with one roller at the front and two at the back. In normal use the front roller, designed for moving the cooker, is raised so that the front feet support the cooker. The levelling tool that controls this roller should be in the storage drawer. If you cannot find the levelling tool, contact your installer (see the start of the 'Installation' section of these instructions).

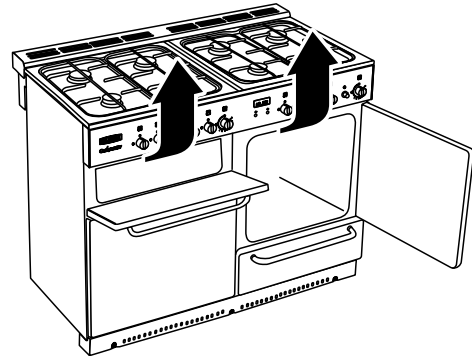
Locate levelling tool as shown.



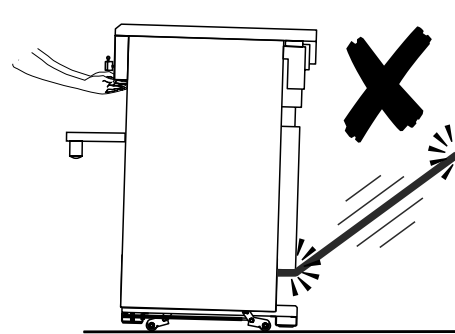
*Turn the levelling tool clockwise, two full (180°) turns. It will be stiff. The front of the oven will rise slightly as the roller drops down.*

Open the grill door and right hand oven door so that you can get a good grip on the bottom of the control panel as you move the oven.

*Do not move the oven by pulling the hand rail, door handles or knobs.*



Move the oven a bit at a time, checking behind it to make sure the gas hose is not caught. Make sure both electricity and gas cables have sufficient slack to move the cooker forward as you go along.

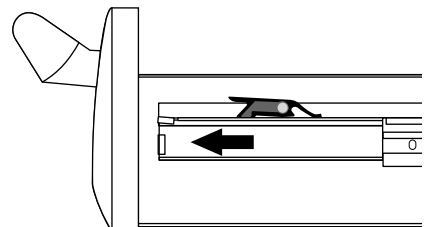


*If a stability chain is fitted, release it as you ease the cooker out.*

When you replace the cooker, wind it down off the front roller by turning the levelling tool anti-clockwise. This is important. It will stop the cooker moving accidentally, while in use.

## To refit the draw

To replace the drawer in the cooker, pull the side rails fully out. Carefully move the drawer back between the rails and rest it on the side rails.



At each side hold the front of the drawer and pull the side rail forward so that the clips click into position holding the drawer to the side rails.

# Troubleshooting

---

## Steam is coming from the oven

During cooking, food naturally produces steam, particularly when cooking foods with high water content (e.g. oven chips). There may be some steam visible at the grille at the rear of the hotplate. This is perfectly normal. Steam can condense to water droplets on the cool outer trim or the oven door. It may be necessary during cooking to wipe away any moisture with a soft cloth. This will also help to prevent soiling and discolouration of the oven exterior by cooking vapours.

Take care when opening the oven door, as there may be a momentary puff of steam when the oven door is opened. Stand well back and allow any steam to disperse.

## The oven fan is noisy

The note of the oven fan may change as the oven heats up - this is perfectly normal.

## What cleaning materials are recommended for the cooker?

See the 'Cleaning your cooker' section of these instructions for a full list of recommended cleaning materials. We do not recommend Mr. Muscle, as it contains chemicals which may damage the surfaces of your cooker.

## The knobs get hot when I use the oven or the grill, can I avoid this?

Yes, this is caused by heat rising from the oven or the grill, and heating them up.

Don't leave the oven door open.

When grilling make sure that the grill door is open with the grill pan pushed right back to the 'backstop'.

## If there is an installation problem and I don't get my original installer to come back to fix it who pays?

You do. Service organisations will charge for their call outs if they are correcting work carried out by your original installer. It's in your interest to track down your original installer.

## Current Operated Earth Leakage Breakers

Where the cooker installation is protected by a 30 milliamp sensitivity residual current device (RCD), the combined use of your cooker and other domestic appliances may occasionally cause nuisance tripping. In these instances the cooker circuit may need to be protected by fitting 100mA device. This work should be carried out by a qualified electrician.

## Food is cooking too slowly, too quickly, or burning

Cooking times may differ from your previous oven. Check that you are using the recommended temperatures and shelf positions. See the 'Oven cooking guide' section of these instructions. The oven control settings and cooking times are intended to be used only as a guide. Individual tastes may require the temperature to be altered either way, to get the results you want. Try cooking at different temperature setting.

## The oven is not cooking evenly

Do not use a tin or tray larger than 340mm x 340mm.

If you are cooking a large item, be prepared to turn it round during cooking.

If two shelves are used, check that space has been left for the heat to circulate. When a baking tray is put into the oven, make sure it is placed centrally on the shelf.

Check that the door seal is not damaged and that the door catch is adjusted so that the door is held firmly against the seal.

A dish of water when placed on the shelf should be the same depth all over. (For example, if it is deeper at the back, then the back of the cooker should be raised up or the front lowered). If the cooker is not level arrange for your supplier to level it for you.

## Oven not coming on when turned on manually

Is the power on? Is the clock illuminated?

Is the key symbol (Ⓚ) showing in the display? See the Clock section of the instructions for more information on the key lock feature of the clock.

If using the Multi-function oven have you set a cooking function?

If not there may be something wrong with the power supply. Is the cooker supply on at the isolator switch?

## Oven not coming on when automatic cooking

Timer set correctly but oven knob left OFF by mistake?

Is the key symbol (Ⓚ) showing in the display? See the Clock section of the instructions for more information on the key lock feature of the clock.

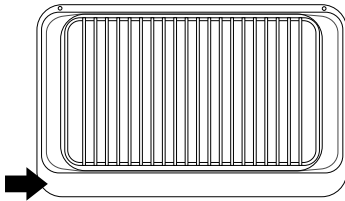
If using the Multi-function oven have you set a cooking function?

### Oven temperature getting hotter as the cooker gets older

If turning the knob down has not worked or only worked for a short time then you may need a new thermostat. This should be fitted by a service person.

### Grill not cooking properly

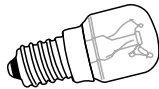
Are you using the pan and trivet supplied with the cooker? Is the pan being used on the runners, not the floor of the compartment? Is the grill pan pushed fully back to stop?



When you pull the grill pan forward is the wide rim at the front? It's important that the wider part is at the front.

### The oven light is not working

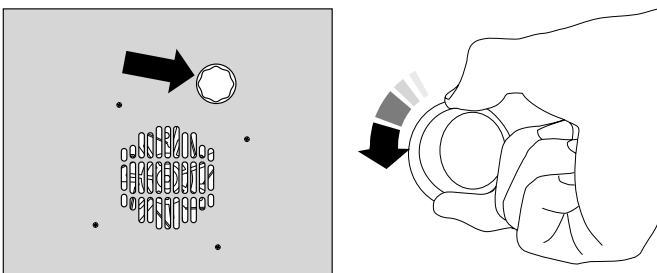
The bulb has probably blown. You can buy a replacement bulb (which is not covered under the guarantee) from a good electrical shop. Ask for an Edison screw fitting 15W 240V lamp, FOR OVENS. It must be a special bulb, heat resistant to 300°C. See the HELP leaflet for spares by mail order.



Turn off the power supply.

Make sure the oven is cool. Open the oven door and remove the oven shelves.

Unscrew the bulb cover by turning anticlockwise. It may be very stiff.



Taking care to protect your fingers in case the bulb should shatter, unscrew the old bulb.

Screw in the new bulb, screw back the bulb cover. Turn on the electricity supply and check that the bulb now lights.

### Hotplate ignition or hotplate burners faulty

Is the power on? Is the clock illuminated? If not there maybe something wrong with the power supply.

Are the sparker (ignition electrode) or burner slots blocked by debris?

Is the burner trim correctly located? Are the burner caps correctly located? See the section entitled 'Cleaning your cooker'.

### Hotplate burners will not light

If only one or all the hotplate burners will not light, make sure that the parts have been replaced correctly after wiping or removing for cleaning. Check that there is not a problem with your gas supply. You can do this by making sure that other gas appliances you may have are working. Do the burners spark when you push the button? If not check the power is on - is the clock illuminated?



# General Safety Instructions

In the UK the cooker must be installed by a CORGI registered engineer.

The installation must be in accordance with the installation instructions and comply with the relevant regulations and also the local gas and electricity supply companies' requirements.

## **If you smell gas**

**Don't turn electric switches on or off.**

**Don't smoke**

**Don't use naked flames**

**Do turn off the gas at the meter or cylinder**

**Do open doors and windows to get rid of the gas**

**Call your gas supplier.**

If you are using natural gas in the UK ring British Gas - Trans Co on

**0800 111 999**

*This appliance is designed for domestic cooking only. Use for any other purpose could invalidate any warranty or liability claim.*

The use of a gas cooking appliance results in the production of heat and moisture in the room in which it is installed. Ensure that the kitchen is well ventilated: keep natural ventilation holes open or install a mechanical ventilation device, (mechanical extractor hood).

Prolonged intensive use of the appliance may call for additional ventilation, for example opening a window, or more effective ventilation, for example increasing the level of mechanical ventilation where present.

The cooker should be serviced by a qualified service engineer and only approved spare parts used. Have the installer show you the location of the cooker control switch. Mark it for easy reference. Always allow the cooker to cool and then switch off at the mains and before cleaning or carrying out any maintenance work, unless specified otherwise in this guide.

*All parts of the cooker become hot with use and will retain heat even after you have stopped cooking.*

Take care when touching cooker, to minimize the possibility of burns, always be certain that the controls are in the OFF position and that it is cool before attempting to clean the cooker.

*Use dry oven gloves when applicable - using damp gloves might result in steam burns when you touch a hot surface. Never operate the cooker with wet hands.*

Do not use a towel or other bulky cloth in place of a glove. They might catch fire if they touch a hot surface.

*Clean with caution. If a wet sponge or cloth is used to wipe spills on a hot surface, be careful to avoid steam burns. Some cleansers can produce noxious fumes if applied to a hot surface.*

Do not use unstable saucepans and position the handles away from the edge of the hotplate.

*Babies, toddlers and young children should not be allowed near the cooker at any time. They should never be allowed to sit or stand on any part of the appliance. Teach them not to play with controls or any other part of the cooker.*

Never store anything of interest to children in cabinets above a cooker - children climbing on the cooker to reach them could be seriously injured.

*Clean only parts listed in this guide.*

In the interests of hygiene and safety the cooker should be kept clean at all times as a build up in fats and other food stuff could result in a fire.

Always keep combustible wall coverings or curtains etc. a safe distance away from your cooker.

Do not spray aerosols in the vicinity of the cooker while it is in on.

*Do not store or use combustible materials, or flammable liquids in the vicinity of this appliance.*

Do not use water on grease fires. Never pick up a flaming pan. Turn the controls off. Smother a flaming pan on a surface unit by covering the pan completely with a well fitting lid or baking tray. If available use a multipurpose dry chemical or foam-type fire extinguisher.

*Never leave the hotplate unattended at high heat settings. Pans boiling over can cause smoking and greasy spills may catch on fire.*

Never wear loose-fitting or hanging clothes while using the appliance. Be careful when reaching for items stored in cabinets over the hotplate. Flammable material could be ignited if brought in contact with a hot surface unit and may cause severe burns.

*Take great care when heating fats and oils, as they will ignite if they get too hot.*

Use a deep fat thermometer whenever possible to prevent overheating fat beyond the smoking point.

*Never leave a chip pan unattended. Always heat fat slowly, and watch as it heats. Deep fry pans should be only one third full of fat. Filling the pan too full of fat can cause spill over when food is added. If you use a combination of oils or fats in frying, stir them together before heating, or as the fats melt.*

Foods for frying should be as dry as possible. Frost on frozen foods or moisture on fresh foods can cause hot fat to bubble up and over the sides of the pan. Carefully watch for spills or overheating of foods when frying at high or medium high temperatures. Never try to move a pan of hot fat, especially a deep fat fryer. Wait until the fat is cool.

*When the grill is on, do not use the top of the flue (the slot along the back of the cooker) for warming plates, dishes, drying tea towels or softening butter.*

When using an electrical appliance near the hotplate, be sure that the cord of the appliance does not come into contact with the hotplate.

Take care that no water seeps into the appliance

*Only certain types of glass, glass-ceramic, earthenware or other glazed containers are suitable for hotplate cooking; others may break because of the sudden change in temperature.*

*Do not allow anyone to climb, stand or hang on any part of the cooker.*

Do not use aluminium foil to cover shelves, linings or the oven roof.

*Make sure that your kitchen is well ventilated at all times. Use extractor fans or hoods when fitted.*

Never heat unopened food containers. Pressure build up may make container burst and cause injury.

*The cooker is designed for cooking foods only and must not be used for any other purpose.*

The oven should NOT be used for heating the kitchen, not only does this waste fuel but the control knobs may become overheated.

*When the oven is on DO NOT leave the oven door open for longer than necessary.*

The specification of this cooker should not be altered.

*This appliance is heavy, take care when moving it.*

When the cooker is not in use ensure that the control knobs are in the off position.

# Installation

---

## Dear Installer

Before you start your installation, please complete the details BELOW.

If your customer has a problem relating to your installation they will be able to contact you easily.

## Thank you

---

*Installer's Name*

---

*Installer's Company*

---

*Installer's Telephone number*

## You must be aware of the following safety requirements & regulations

Prior to installation, ensure that the local distribution conditions (nature of the gas and gas pressure) and the adjustment of the appliance are compatible.

This appliance shall be installed in accordance with the regulations in force and only in a well ventilated space. Read the instructions before installing or using this appliance.

**In the UK** the regulations and standards are as follows:-

In your own interest and that of safety, it is law that all gas appliances be installed by competent persons. CORGI registered installers undertake to work to safe and satisfactory standards. Failure to install the appliance correctly could invalidate any warranty or liability claims and lead to prosecution.

**This appliance should not be installed in a boat or caravan.**

The cooker must be installed in accordance with:-

- ▶ All relevant British Standards / Codes of Practice, in particular BS 5440 Part 2 2000,
- ▶ or Natural Gas - BS 6172 : 1990 and BS 6891 : 1998

- ▶ For LP Gas - BS 5482-1:1994 (when the installation is in a permanent dwelling). This appliance should not be installed in a boat or caravan.
- ▶ The Gas Safety (Installation and Use) regulations 1998.
- ▶ The relevant Building / IEE regulations.

## Provision of Ventilation

This appliance is not connected to a combustion products evacuation device. Particular attention shall be given to the relevant requirements regarding ventilation.

### In the UK

The room containing the cooker should have an air supply in accordance with BS 5440 Part 2 : 2000. All rooms require an openable window or equivalent, while some rooms require a permanent vent in addition to the openable window. The cooker should not be installed in a bedsitting room with volume less than 20m<sup>3</sup>. If it is installed in a room of volume less than 5m<sup>3</sup> an air vent of effective area 100cm<sup>2</sup> is required; if it is installed in a room of volume between 5m<sup>3</sup> and 10m<sup>3</sup>, an air vent of effective area 50cm<sup>2</sup> is required; while if the volume exceeds 11m<sup>3</sup>, no air vent is required.

If there are other fuel burning appliances in the same room, BS 5440 Part 2 : 2000 should be consulted to determine the requisite air vent requirements.

## Location of Cooker

The cooker may be installed in a kitchen/kitchen diner but NOT in a room containing a bath or shower.

### NOTE:

**An appliance for use on LPG shall not be installed in a room or internal space below ground level. e.g. in a basement**

## Conversion

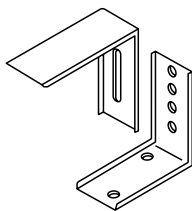
All models are supplied set for use on group H natural gas. A conversion kit for LP gas is included with the appliance. See the instructions that are supplied with the conversion kit. After converting the appliance please attach the Gas Conversion sticker over the appropriate area of the data badge, this will identify the gas type the appliance is now set for.

**This appliance is designed for domestic cooking only. Use for any other purpose could invalidate any warranty or liability claim.**

**You will need the following equipment to complete the cooker installation satisfactorily**

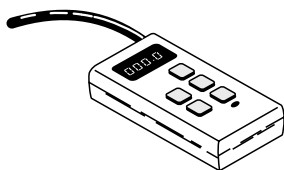
### STABILITY BRACKET

If the cooker is to be supplied with gas through a flexible hose, a stability bracket or chain must be fitted.



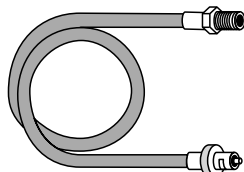
**These are not supplied by with the cooker but are available at most builders' merchants.**

### GAS PRESSURE TESTER



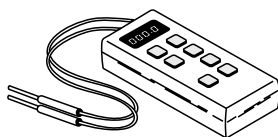
### FLEXIBLE GAS HOSE

Must be in accordance with the relevant standards.



### MULTIMETER

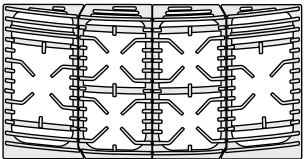
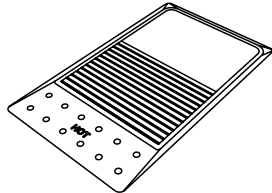
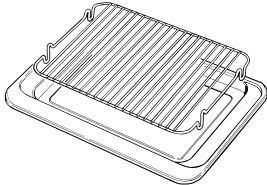
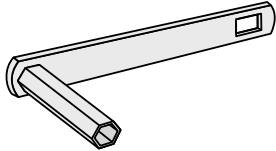
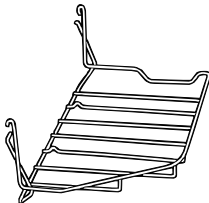
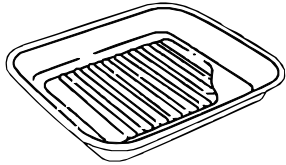
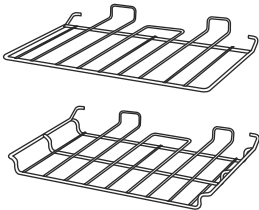
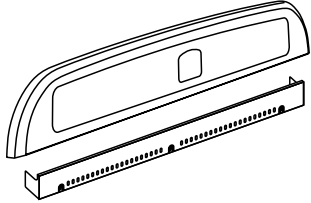
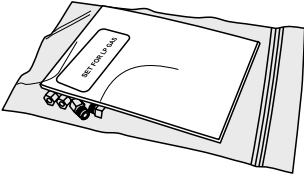
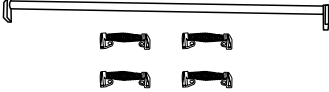
(for electrical checks)



**You will also need the following tools:**

1. Electric drill
2. Masonry drill bit  
(only required if fitting the cooker on a stone or concrete floor)
3. Rawlplugs  
(only required if fitting the cooker on a stone or concrete floor)
4. Screws for fitting stability bracket
5. Pencil
6. Steel tape measure
7. Cross head screwdriver
8. Flat head screwdriver
9. 4mm & 3mm Allen keys
10. Spirit level
11. Adjustable spanner

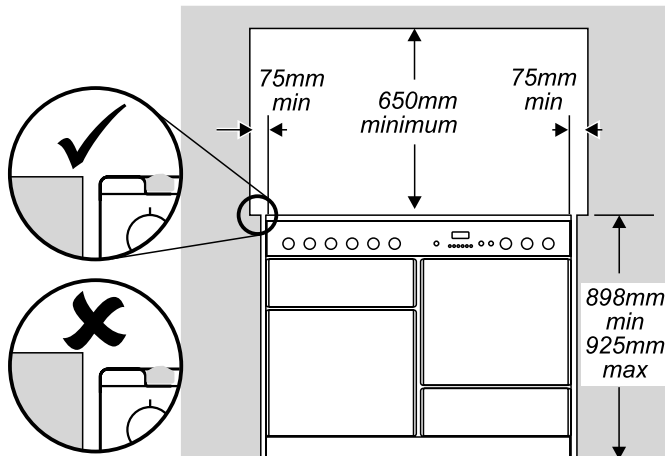
### Checking the parts

	
<i>4 pan supports</i>	<i>Griddle plate</i>
	
<i>Grill pan and trivet</i>	<i>Levelling tool</i>
	
<i>Handyrack</i>	<i>Meat tin</i>
	
<i>2 flat oven shelves and 2 drop shelves.</i>	<i>Splashback &amp; Plinth</i>
	
<i>Conversion kit from Natural gas to LP gas</i>	<i>Hand rail and door handles</i>

## Positioning the Cooker

The diagrams below show the minimum recommended distance from the cooker to nearby surfaces.

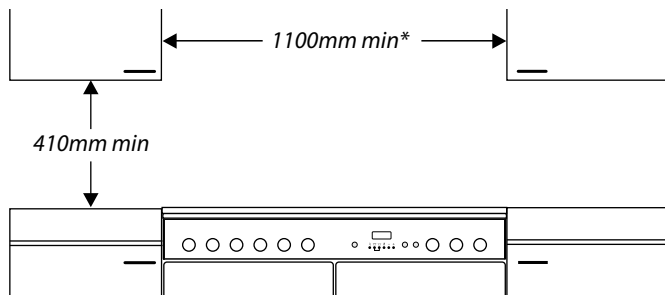
The cooker should not be placed on a base.



The hotplate surround should be level with, or above, any adjacent work surface. Above hotplate level a gap of 75mm should be left between each side of the cooker and any adjacent vertical surface.

For non-combustible surfaces (such as unpainted metal or ceramic tiles) this can be reduced to 25mm.

A minimum space of 650mm is required between the top of the hotplate and a horizontal combustible surface.



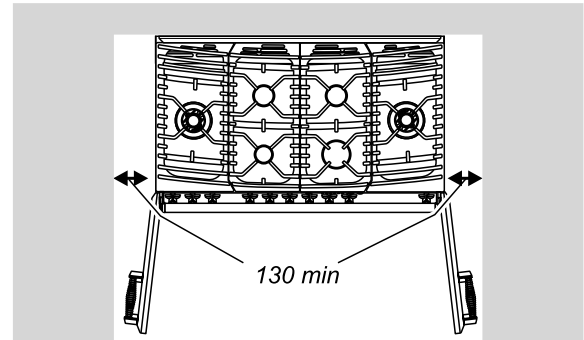
\*Any cooker hood should be installed in accordance with the hood manufacturer's instructions.

Surfaces of furniture and walls at the sides and rear of the appliance should be heat, splash and steam resistant. Certain types of vinyl or laminate kitchen furniture are particularly prone to heat damage and discolouration. We cannot accept responsibility for damage caused by normal use of the cooker to any material that de-laminates or discolours at temperatures less than 65°C above room temperature.

For safety reasons curtains must not be fitted immediately behind the cooker.

We recommend a gap of 1110mm between units to allow for moving the cooker. If a flush fit is required, fit the cooker up to the unit at one side then fit the unit the other side. Do not box the cooker in; it must still be possible to move the cooker in and out for cleaning and servicing. The cooker should not be placed on a base.

A clearance of 130mm is required if the cooker is near a corner of the kitchen to allow the oven doors to open.



## Unpacking the Cooker

Do not take any packaging off the cooker until it is directly in front of the place it is to be installed (unless it will not fit through a door in its outer packaging).

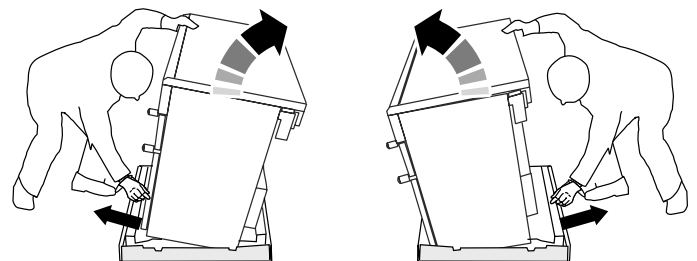
Cut the banding straps and lift the cardboard box off the cooker, leaving the cooker standing on the base packaging. See the loose unpacking sheet.

## Moving the Cooker

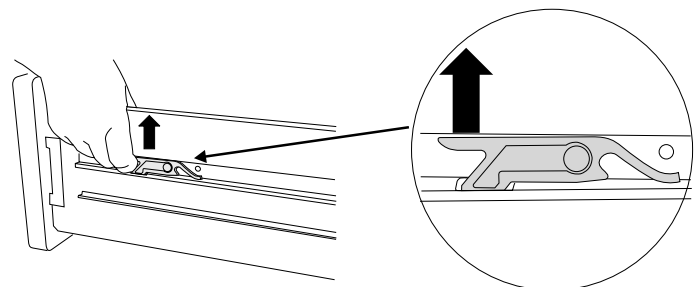
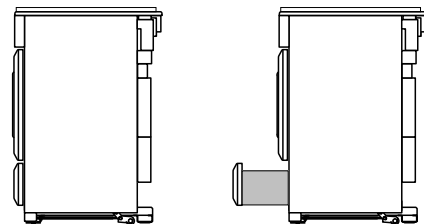
The cooker is very heavy. Take great care.

We recommend two people manoeuvre the cooker. Ensure that the floor covering is firmly fixed, or removed to prevent it being disturbed when moving the cooker around. You will need the levelling tool.

From the back tilt the cooker forward and remove the rear half of the polystyrene base pack.



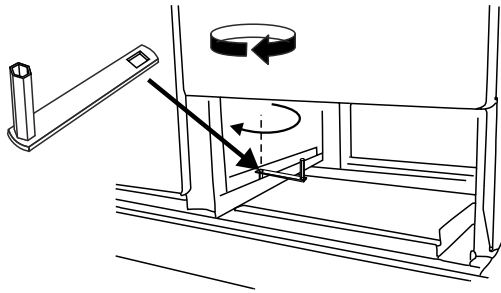
Repeat from the front and remove the front half of the poly base. Pull the drawer out to its furthest point.



Lift up the ends of the plastic clips (one each side) to release the catches holding the drawer to the side runners and at the same time pull the drawer forward and away from the

side runners. For safety's sake push the drawer runners back out of the way. Put the drawer somewhere it will be safe until you have finished the installation.

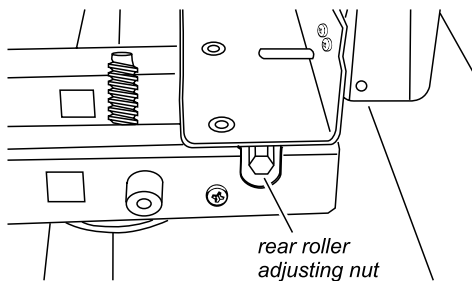
Fit the levelling tool on the rectangular adjuster as shown below.



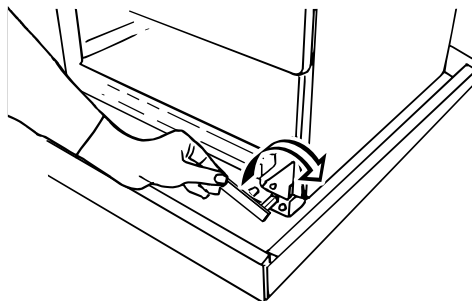
LOWER THE FRONT ROLLER by doing 14 complete (360°) turns clockwise. (This means turning and removing the levelling tool 56 times).

Now LOWER THE TWO REAR ROLLERS.

First fit the levelling tool on the hexagonal adjusting nut as shown below.

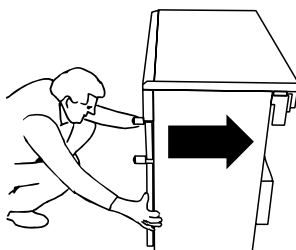


Make 10 complete (360°) turns clockwise. (This means turning and removing the levelling tool 20 times).



Make sure you lower BOTH REAR ROLLERS. There are two adjusting nuts, one for each roller, at both the front bottom corners of the cooker.

Unfold the rear edge of pack base tray. Carefully push the cooker backwards out of the base pack and into position. Take care not to damage the power cable. Push the cooker close to its final position, leaving just enough space to get behind it.



## Levelling

You are recommended to use a spirit level on a shelf in one of the ovens to check for level.

Place the cooker in its intended position taking care not to twist it within the gap between the kitchen units as damage may occur to the cooker or the units.

The rollers can be adjusted to level the cooker. To adjust the height of the rear of the cooker use the levelling tool supplied to turn the adjusting nuts at the front bottom corners of the cooker.

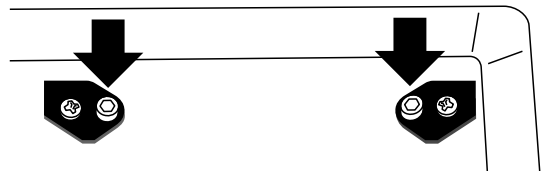
Adjust the height of the front roller to level the cooker. Turn clockwise to raise the cooker and anticlockwise to lower.

When you are satisfied with the height and level raise the front of the cooker by one turn of the front roller adjuster. Screw down the front feet to meet the floor. Screw the front roller adjuster anticlockwise to raise the front roller so that the front of the cooker is supported on the feet, not the front roller, to prevent accidental movement of the cooker.

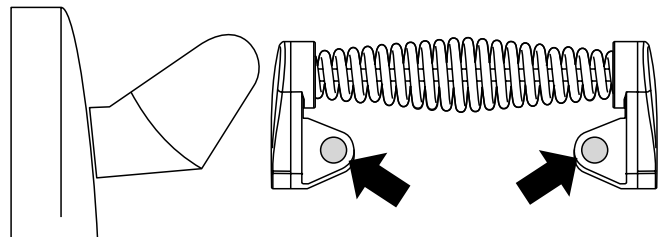
Leave the levelling tool in the storage drawer, so that the customer can use it if they wish to move the cooker.

## Fit the Handles

Remove the 4mm Allen screws from the doors with the hexagon key tool. Use the screws to fit the door handles.

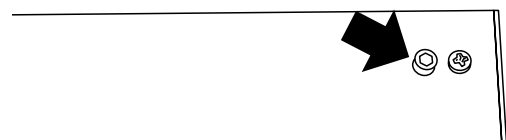


**The handles should be above the fixings.**



Fit the plastic blanking plugs to the fixing holes.

Remove the 4mm Allen screws from the top corners of the fascia and fix the front handrail in position.



## Fitting the splash back

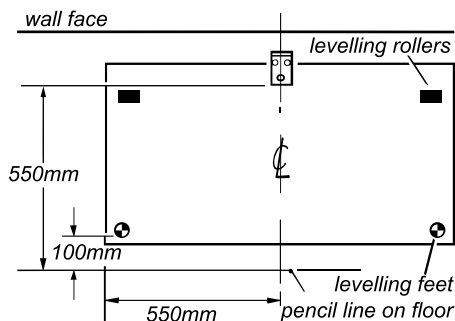
The cooker can be installed with or without the supplied splashback. To fit splash remove the two fixing screws (3mm hexagonal socket head) and nuts that pass through the top of the rear flue grille. Hold the splash back in position. From the rear refit the 2 fixing screws and nuts.

## Fitting a stability bracket

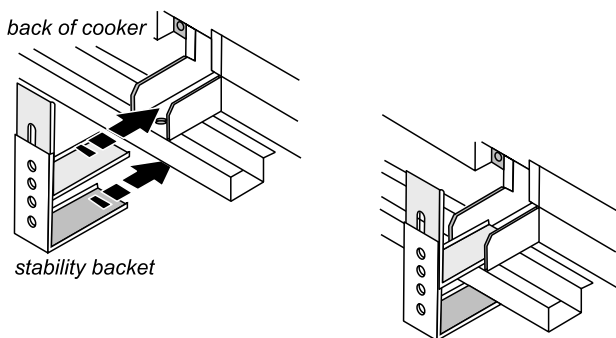
A stability bracket or chain (not supplied by with the cooker) should be fitted when the cooker is connected to a flexible gas supply.

When fitting a stability bracket read these instructions together with the leaflet supplied with the bracket.

1. Place the cooker in its intended position and level the cooker.
2. Draw a pencil line 100mm from the front edge of the levelling feet.
3. Mark the centre line for the bracket by measuring 550mm from the left hand side of the cooker.

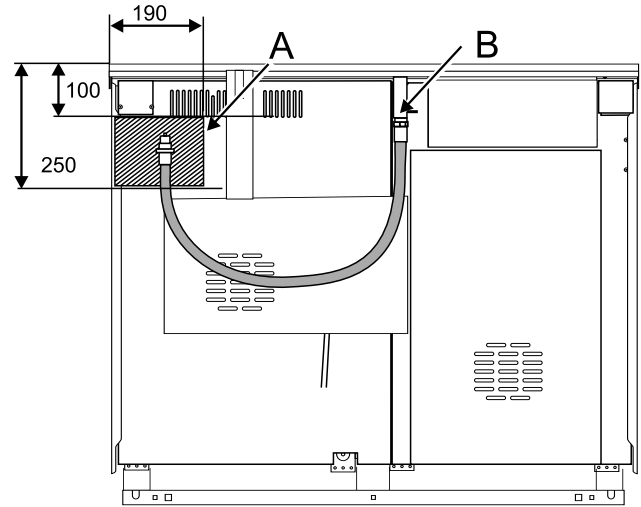


4. Lower the front roller and move the cooker forward.
5. Measure back from the pencil line 550mm to locate the front edge of the bracket. Fix the bracket to the floor.
6. Measure the height from floor level to engagement edge in back of cooker. Add 3mm to this dimension and assemble the stability bracket to this height. (i.e. from floor level to underside of the top member) and ensure the bracket does not foul the oven burner assembly.



## Gas Connection

The Gas supply needs to terminate with a down facing bayonet. The rear cover boxes limit the position of the supply point.



view from the rear

A - position for gas supply connector, B - appliance gas inlet

Because the height of the cooker can be adjusted and each connection is different it is difficult to give precise dimensions. Ideally the house supply bayonet should be in the shaded area shown in the diagram. Although a 900mm hose can be used, a 1250mm hose will allow slightly more flexibility in the positioning of the bayonet and make moving the cooker easier. The hose should be fitted so that both inlet and outlet connections are vertical so that the hose hangs downwards.

The connector is located just below the hotplate level at the rear of the cooker.

For Natural Gas the flexible hose must be in accordance with B.S.669.

For LP Gas it should be capable of 50mbar pressure, 70°C temperature rise and carry a red stripe, band or label.

If in doubt contact your supplier.

Screw connect the threaded end of the hose into the gas inlet in the underside of the connector block on the back of the cooker.

After completing the gas connection, check the cooker is gas sound with a pressure test.

## Pressure testing

The gas pressure can be measured at one of the centre hotplate burner injectors (not the Wok burners). Lift off a burner head. Fit the pressure gauge to the injector. Turn on the hotplate burner and turn on and light one of the other hotplate burners.

For Natural Gas cookers the pressure should be 20mbar.

For LP Gas cookers the pressure should be 29mbar for Butane

37mbar for Propane.

Reassemble burner top, making sure it is reassembled in the correct way on the burner body.

## Electrical Connection

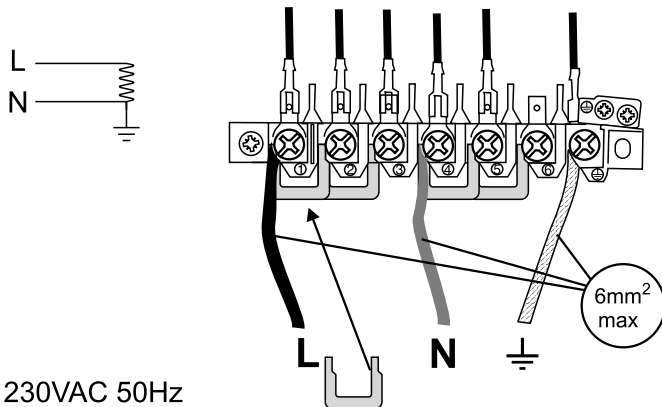
This appliance must be installed by a qualified electrician to comply with the relevant Institute of Electrical Engineers (I.E.E.) regulations and also the local electricity supply company requirements.

**WARNING: THIS APPLIANCE MUST BE EARTHED**

### Note

The cooker must be connected to the correct electrical supply as stated on the voltage label on the cooker, through a suitable cooker control unit incorporating a double pole switch having a contact separation of at least 3mm in all poles. This cooker must not be connected to an ordinary domestic power point.

The total electrical load of the appliance is approximately 7.5 kW. The cable size used should be suitable for this load and comply with all local requirements.



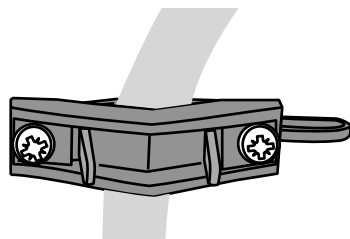
230VAC 50Hz

The cable size used should be 6mm<sup>2</sup> maximum twin and earth.

Access to the mains terminal is gained by removing the electrical terminal cover box on the back panel. Connect the mains cable to the correct terminals for your electrical supply type (see fig.).

**Check that the links are correctly fitted and that the terminal screws are tight.**

Secure the mains cable using the cable clamp.



## Current Operated Earth Leakage Breakers

Where the installation is protected by a 30 milliamp sensitivity residual current device (RCD), the combined use of your cooker and other domestic appliances may occasionally cause nuisance tripping. In these instances the cooker circuit may need to be protected by fitting 100mA device. This work should be carried out by a qualified electrician.

## Oven Light

Press the oven light switch and check that the light is working.

NB. The oven light bulb is not included in the guarantee.

## Hotplate

Check each burner in turn. Push in tap and turn to the large flame symbol. Press ignition switch on fascia panel.

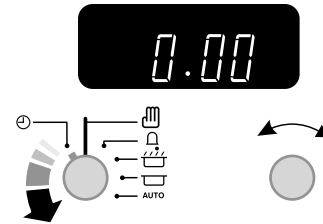
## Grill

Open the grill compartment door. Turn on the grill control and check that the grill heats up.

## Oven check

Set the clock to the time of day

When the clock is first connected the display will flash ( ) and ( ) alternately.



To set the clock to read the time of day turn and hold the Timer knob to the clock symbol and at the same time turn the Adjusting knob left or right until the clock shows the time of day. Remember this is a 24 hour clock. Let go of the Timer knob and it will spring back to the vertical oven manual setting.

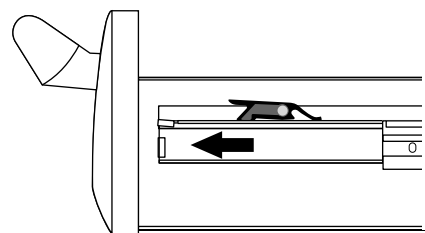
Turn on the oven and check that the oven fan starts to turn and that the oven starts to heat up. Turn off the oven.

## Fitting the plinth

Loosen the 3 screws along the front bottom edge of the cooker. Hook the central keyhole over the central screw. Twist and fit each end keyhole over their respective screws. Tighten the fixing screws.

## Refit the draw

To replace the drawer in the cooker, pull the side rails fully out. Carefully move the drawer back between the rails and rest it on the side rails.



At each side hold the front of the drawer and pull the side rail forward so that the clips click into position holding the drawer to the side rails.

## Customer care

Please complete your details in this Guide, inform the user how to operate the cooker and hand over the Instructions.

**Thank you.**



## SERVICING - WARNING

Disconnect from electricity and gas before servicing. Check appliance is safe when you have finished.

# Conversion to LP gas

Check in the Technical Data section at the back of the book that the cooker is convertible to the gas you want to use.

This conversion must be performed by a competent person. After conversion the installation must comply with the relevant regulations and also the local electricity supply company requirements. Read the instructions before converting this appliance.

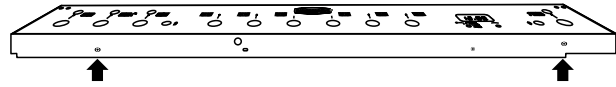
Failure to convert the appliance correctly could invalidate any warranty or liability claims and lead to prosecution.

This instruction must be used in conjunction with the rest of the appliance instruction, in particular for information on Standards, cooker positioning, connection hose suitability etc.

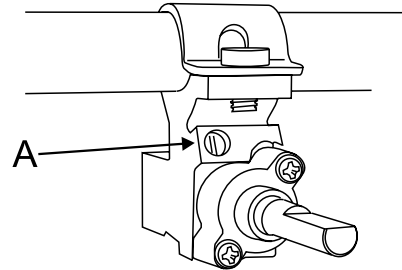
When servicing or replacing gas-carrying components disconnect from gas before commencing operation and check appliance is gas sound after completion.

Do not use re-conditioned or unauthorised gas controls.

Open the oven door & or grill door and remove the fixing screws underneath the control panel. NB some models have a plate under the fascia held in place by the bottom fixing screws.



Lower fascia panel clear of top retaining tags.



A tap bypass screw

Turn the bypass screw on each gas control clockwise to the stop.

## Stick on label

Stick the appropriate label on to the data badge to indicate the gas the appliance is now set for.

## Pressure Testing

Connect the appliance to the gas supply. Check the appliance is gas sound.

The gas pressure can be measured at one of the left hand hotplate burner jets. Lift off a burner head. Fit the pressure gauge to the jet. Turn on the hotplate burner and turn on and light one of the other burners.

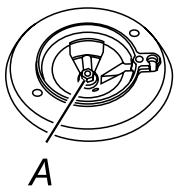
Reassemble burner top, making sure it is reassembled in the correct way on the burner body.

## Check the appliance is gas sound.

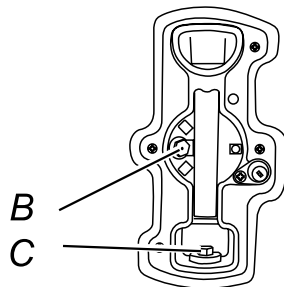
## Check operation of all the burners.

## Jets

Standard burner



Wok burner

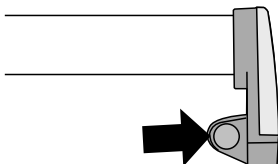


A jet, B internal injector, C external injector

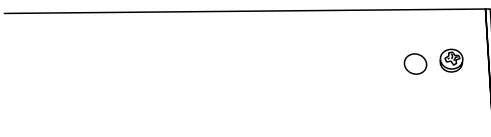
Remove burner caps and heads. Remove old jets. Fit new jets (see Technical Data section at the back of the book for correct jets). Reassemble in reverse order.

## Tap adjustment

Pull off all the control knobs. If the hand rail has been fitted remove it - remove the plastic blanking plugs and remove the 2 end bracket fixing screws.



Remove the 2 cross headed screws that were hidden by the hand rail end brackets.



## Servicing Notes

When servicing or replacing gas carrying components disconnect from gas before commencing operation and check appliance is gas sound after completion. When checking for gas leaks use a liquid leak detector at all joints and connections to check for leaks in the system.

When checking for gas leaks do not use washing up liquid - this can corrode. Use a product specifically manufactured for leak detection. In GB refer to BS 6891.

After completing the gas connection, check the cooker is gas sound with a pressure test.

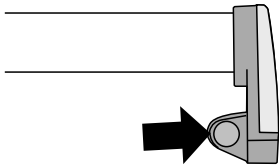
Leak testing of the appliance shall be conducted in accordance to the manufacturer's instructions.

### CAUTION: DO NOT USE A FLAME TO CHECK FOR GAS LEAKS.

Do not use re-conditioned or unauthorised gas controls.

Disconnect from electricity supply before commencing servicing, particularly before removing any of the following: control panel, side panels, cooktop tray, or any of the electrical components or cover boxes. Before electrical reconnection check that the appliance is electrically safe.

#### 1. To Remove the Hand Rail

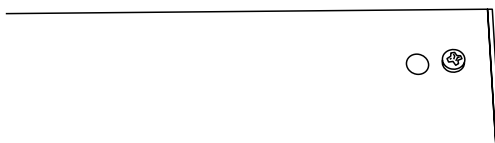


Remove the handrail plastic blanking plugs and remove the 2 end bracket fixing screws.

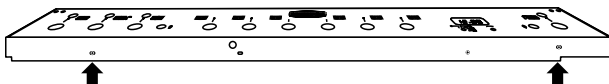
#### 2. To Remove Control Panel

Disconnect from electricity supply.

Pull off all the control knobs. Remove the hand rail (see 2) Remove the 2 cross headed screws that were hidden by the hand rail end brackets.



Open the grill door and right hand oven door and remove the 2 screws underneath the control panel.



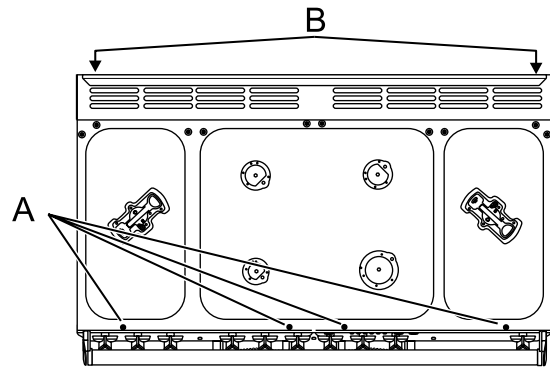
Pull the control panel forward and support so that the wires are not strained.

Reassemble in reverse order. When replacing leads refer to the wiring diagram. Check operation of timer, ignition, and oven light switches.

#### 3. To Remove the Hotplate top

Disconnect from electricity supply.

Remove the pan supports, cooktop burner caps and tops. If there are screws holding the cooktop burners to the cooktop, remove them (not the spark electrode fixing screws).



A - Cooktop front fixing screws,  
 B - Cooktop rear fixing screws (on cooker back)

Remove the 2 rear cooktop fixing screws (B) on cooker back under the flue grille and the 4 front cooktop fixing screws (A).

Remove the screws holding the flue grille stays.

Lift the cooktop clear of the appliance. Replace in reverse order.

Reassemble in reverse order ensuring that the leads are reconnected.

Check for correct burner operation.

#### 4. To Remove a Side Panel

Disconnect from electricity supply.

Remove control panel (see 2). Pull the cooker forward. Remove the 4 retaining screws for each panel (2 at the front and 2 at the rear). The lower front retaining screws (one each side) are situated beneath the lower edge at the front corners of the side panels

Reassemble in reverse order.

#### 5. To Remove Oven Light Switch

Remove control panel (see 2).

NB The old switch may be destroyed during removal.

Remove switch button and old switch from its bezel by gripping the switch body behind the control panel and twisting sharply.

The switch bezel can then be removed by folding back its locking wings and pushing forward. Fit the new bezel to the control panel by first lining up the raised key on its body with the cutout in the control panel and pushing it in from the front. Assemble the new switch to the bezel by lining up the key sections and pushing home. Fit the new button by pushing in from the front.

Replace control panel in reverse order and test for correct operation.

#### 6. To Remove Electronic Timer

Disconnect from electricity supply.

Pull off the timer control buttons and remove the control panel (See 2). Remove the timer/mounting bracket assembly from the control panel by removing the two fixing screws. Remove the timer from its mounting bracket by depressing the plastic lugs on the timer case, at the same time pulling the unit forward.

Reassemble in reverse order. When replacing leads refer to the wiring diagram. Check operation of timer.

**SERVICING - WARNING**  
**Disconnect from electricity and gas before servicing. Check appliance is safe when you have finished.**

**7. To Remove A Thermostat**

Remove control panel (see 2) and cooktop (see 3). Open the appropriate oven door and remove the oven shelves.

**Right hand oven**

Remove oven roof. Remove the two fixings that secure the thermostat phial cover. Unclip the thermostat phial from the clips in the oven back panel & remove from the top rear of the oven.

**Left hand oven**

Remove the two screws holding the thermostat phial to the oven fan cover at the rear of the oven. Pull the unit forward to access the rear of the cooker. Remove both rear cover boxes by removing the fixing screws and lifting clear. Feed the thermostat capillary clear of the oven. Disconnect the wires from the thermostat and undo the two fixings that secure the control to the mounting plate. Fit the replacement and re-assemble in reverse order. Ensure that the phial is clipped to the oven rear, positioned centrally between the clips. Check that the thermostat functions correctly.

**8. To Change Grill Controller**

Remove the control panel (see 2) and cooktop (see 3). Disconnect wiring from controller. Remove 2 screws holding switch/controller to mounting panel. Fit new controller and reassemble in reverse order. Check for correct operation.

**BEFORE SERVICING ANY GAS CARRYING COMPONENTS TURN OFF GAS SUPPLY.**

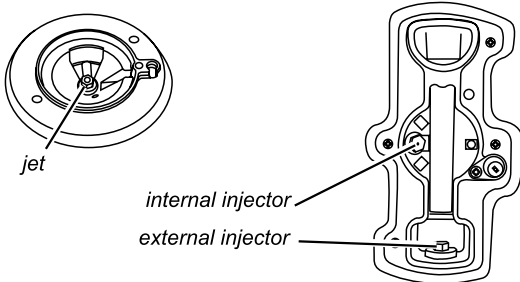
**9. To Change a Hotplate Tap**

Remove the cooktop top, see 3. Undo the nut at rear of the valve and remove the screw(s) securing valve to gas rail. Remove old valve, discard old gasket/seal. Fit new gasket/seal to new valve.

Reassemble in reverse order. Check valve is adjusted for correct gas. Check cooker is gas sound.

**10. To Change a Hotplate burner jet**

*Standard burner*                      *Wok burner (some models only)*



Remove burner cap and head. Remove old jet. Fit new orifice. **Note** the Wok burner has 2 orifices. Reassemble in reverse order. Check appliance is gas sound.

**11. To Change Hotplate Burner Electrode**

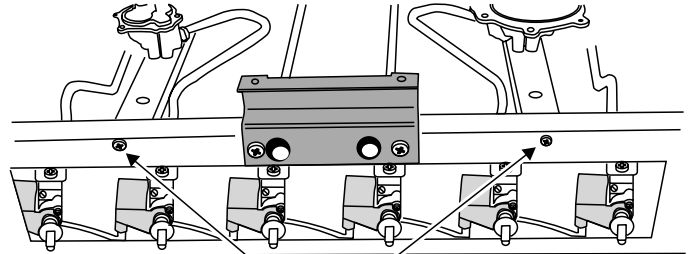
Lift off cooktop pan supports, remove burner cap. Remove the screw holding the electrode. Pull electrode vertically up sufficiently to grip the lead between thumb and forefinger. Pull off the electrode, but keep hold of the lead. Fit new electrode to the lead. Fix electrode in burner with screw. Replace burner cap. Check the burner ignition. Replace pan supports.

**12. To Remove or Change a Hotplate Burner.**

Remove the cooktop tray (see 3).

**Centre Hotplate burners**

Remove the control panel (see 2). The burners are mounted in 2's on cross supports. Disconnect the burner feed pipes at the burners. Remove the screw at the front holding the cross support. Slide the support to the right to release it from the rear location.



Cross support fixing screws

Lift the cross support and burners clear. The burners are fixed to the cross supports with screws underneath. Remove the appropriate burner and fit the new one. Reassemble in reverse order. Check burner operation is satisfactory.

**Wok burners**

Disconnect the burner feed pipes at the burner. Fit the new one and reassemble in reverse order. Check burner operation is satisfactory.

**13. To Remove Grill Outer Door Panel**

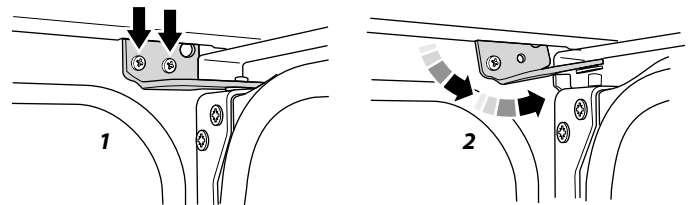
Open left hand oven door and remove 2 screws from bottom edge of grill door. Open grill door, support grill door outer panel and remove two screws from top inner face of grill door.

Reassemble in reverse order.

**14. To Remove an Oven Door**

Open oven door and remove Handyrack (where fitted) by springing one side out of the bracket on the door and sliding the other side free.

Door is heavy - take care. Open the oven door. Loosen the two top hinge screws.



Support the weight of the door and remove the screw nearest the hinge pin. Swing the hinge up and away from the hinge pin on the door.

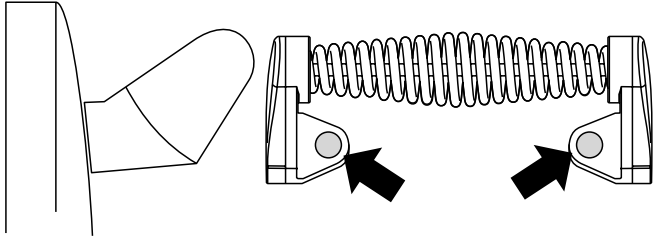
Lift the door away from the bottom hinge.

Re-assemble in reverse order.

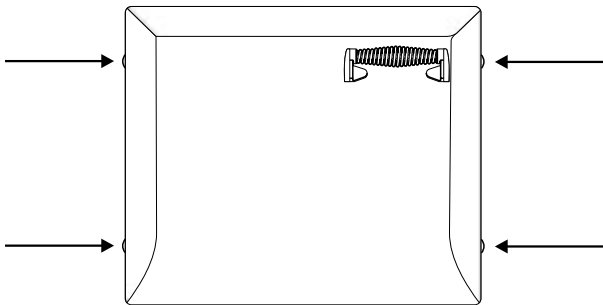
When replacing the door ensure that the nylon hinge bush is in position between the hinge pin and the hinge bracket at the both the bottom and top.

**SERVICING - WARNING**  
**Disconnect from electricity and gas before servicing. Check appliance is safe when you have finished.**

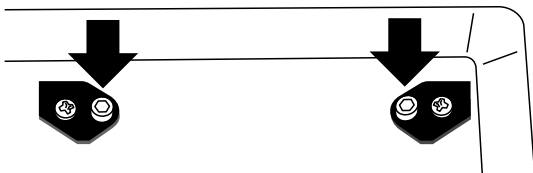
**15. To Change Oven Door Outer Panel**



Remove the two plastic blanking plugs from the door handles. Remove the 4mm Hex headed screws holding the handle to the door with the hexagon key tool. Remove two screws from top edge and two from bottom edge of the door.

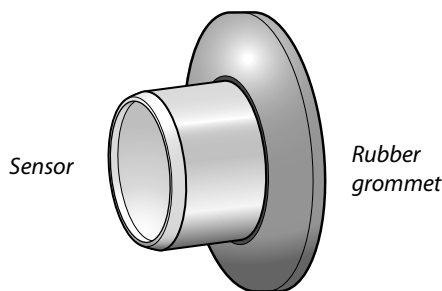


Remove outer door panel. Fit door handle to new panel. Fit the plastic blanking plugs to the fixing holes.



**The handles should be above the fixings.**

Fit panel to door. If replacing the outer panel on the right hand door (with the Thermodial) take care to make sure the sensor of the Thermodial is sealed to the door by the rubber grommet.

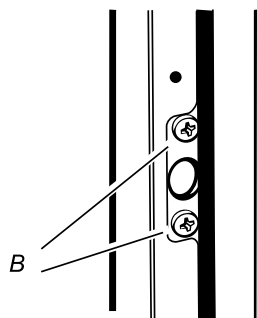


Reassemble in reverse order.

**16. To Change Oven Door Catch**

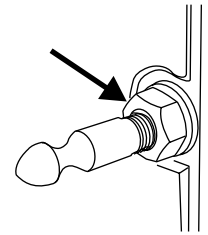
Remove outer door panel (see 15). Remove screws 'B' holding catch assembly to inner door panel. Fit new catch and reassemble in reverse order.

Check correct door operation.



**17. To Adjust Oven Door Catch Keep**

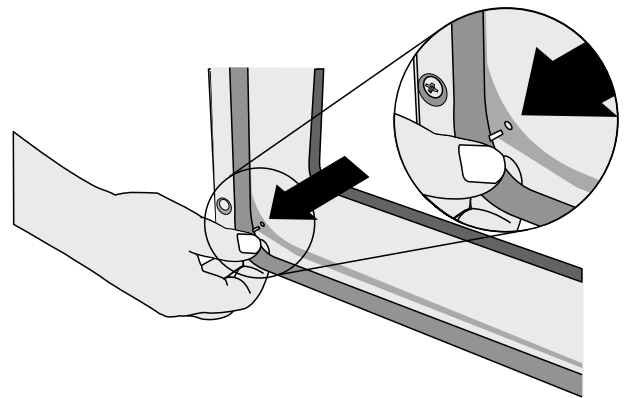
Open oven door, slacken off locknut at base of keep, and screw in or out as required until required fit is obtained.



Retighten locking nut.

**18. To Change Oven Door Seal**

Open oven door. The seal is held in place by small hooks on the rear face. At the corner pull seal diagonally away from the door centre until that hook is released. Proceed to the next hook and release it in a similar way, and so on.



When fitting new seal, position the seal join at the bottom. Hook the new seal in one of the corner holes of the door, and proceed round the door snapping in each hook in turn.

**19. To Change Ignition Generator**

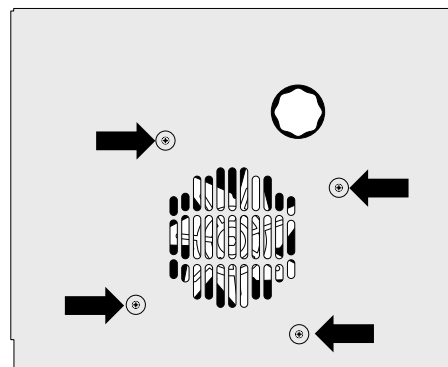
Disconnect from electricity supply.

Pull cooker forward to gain access to the cover box at the rear of the left hand cooker. Remove the screws securing the cover and lift clear. Pull off all the leads to the generator noting their positions. Slacken the two screws holding generator to cooker and remove generator.

Fit new generator to cooker and replace leads. Reassemble in reverse order. Refer to wiring diagram. Check ignition performance.

**20. To Remove Oven Inner Back.**

Open the oven door. Remove oven furniture. For the left hand oven unscrew the 2 thermostat phial fixing screws.



## SERVICING - WARNING

**Disconnect from electricity and gas before servicing. Check appliance is safe when you have finished.**

Remove the fixings that secure the inner back to the oven rear.

Lift the removable panel away. Re-assemble in reverse order. Ensure that the retaining fixings are fully tightened. For the left hand oven unscrew the 2 thermostat phial fixing screws. Remove the screws that secure the inner back to the oven rear. Lift the removable panel away. Re-assemble in reverse order. Ensure that the retaining fixings are fully tightened.

### 22. To Replace an Oven Fan

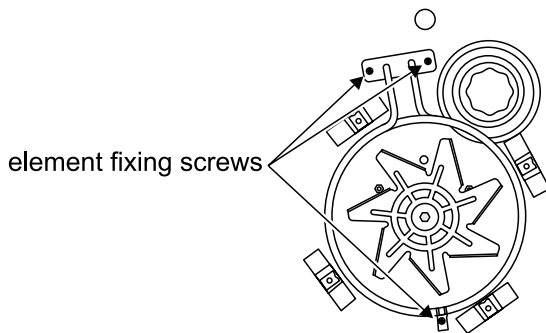
Disconnect from electricity supply.

Pull the unit forward to access the cover boxes at the rear of the appliance. Remove the fixings that secure the cover and lift it clear. Remove the fan wiring, noting the connection positions. Remove the inner back as detailed in Section 20. Hold the fan blades and undo the centre nut (left hand thread), brass washers, fan blade and Circlip. Undo the fixings that retain the fan and remove it from the cavity rear. Fit the replacement and re-assemble parts in reverse order. Check that the oven operates satisfactorily.

### 23. To Remove an Oven fan Element

Disconnect from electricity supply.

Remove the inner back as detailed in Section 20. Remove the fixings that secure the element within the oven and lift the element away carefully.



Disconnect the leads and connect to the replacement element and re-assemble parts in reverse order. Check that the oven operates correctly.

### 24. To Remove Grill Element.

Disconnect from electricity supply.

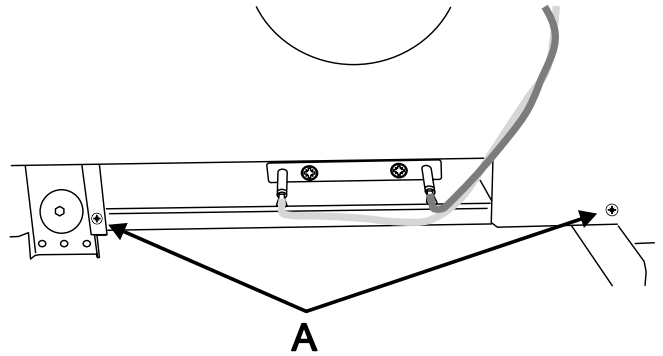
Remove grill pan from grill chamber. From inside grill compartment remove enamelled front shield from grill roof, 2 screws and washers. Remove 2 screws and washers securing the grill element front support. Remove 1 screw from each of the grill elements and withdraw grill elements from grill chamber. Disconnect the leads and connect to the replacement elements and re-assemble parts in reverse order. Check operation of grill.

### 25. To Remove the left hand Oven Bottom and Top Elements

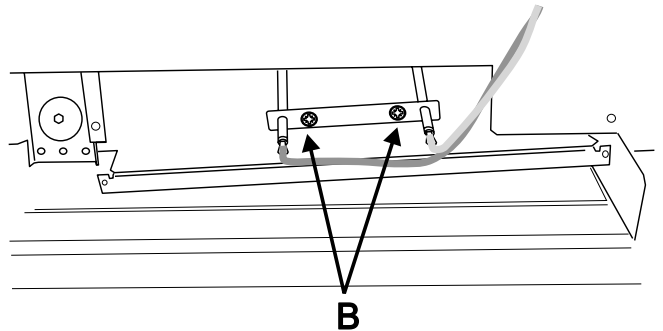
Disconnect from the electricity supply.

#### Bottom Element

Pull the cooker forward to access the cover boxes at the rear of the unit. Remove the fixings that secure the cover and lift it clear.



Remove the 2 screws 'A' and allow the plate to drop down.



Remove the 2 screws B, holding the element to the bottom sheet.

Disconnect the leads, noting their positions.

Withdraw bottom element. Fit the new element and re-assemble parts in reverse order.

#### Top Element

Open the left hand oven door and undo the fixings that secure the heat shield. Remove the top element bracket fixings and withdraw element. Replace the element and re-assemble parts in reverse order. Check that the oven operates satisfactorily.

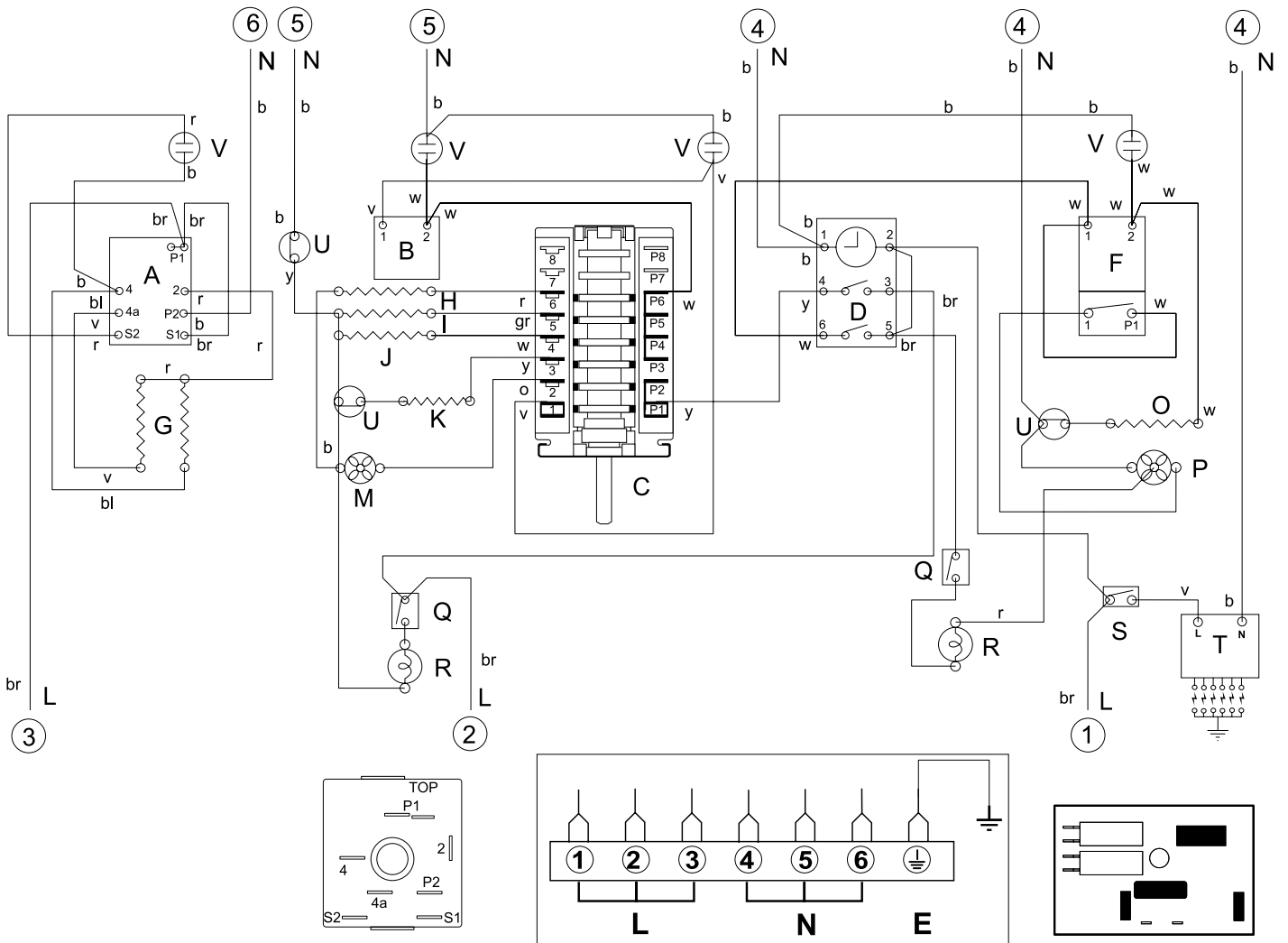
### 26. To change oven light bulb.

Disconnect from the electricity supply.

Remove the oven furniture. Unscrew the bulb.

Fit an Edison screw fitting 15W 125-130V lamp, FOR OVENS. It must be a special bulb, heat resistant to 300 °C.

# Circuit Diagram



- A Grill energy regulator
- B Left hand Multi function oven thermostat
- C Multi function oven function control
- D Clock
- F Right hand oven thermostat
- G Grill elements
- H Multi function oven base element
- I Multi function oven top element (outer pair)
- J Multi function oven browning element (inner pair)
- K Multi function oven fan element
- M Multi function oven fan
- O Right hand fan oven element
- P Right hand oven fan
- Q Oven light switch
- R Oven light
- S Ignition switch
- T Ignition generator
- U Cut-out
- V Neon

## Colour Code

- b Blue
- br Brown
- or Orange
- r Red
- v Violet
- w White
- y Yellow

# Technical Data

**This cooker is category II2H3+**

**It is supplied set for group H natural gas. A conversion kit from NG to LP gas is packed with the cooker.**

INSTALLER: Please leave these instructions with the User.

DATA BADGE LOCATION : Cooker back, serial number repeater badge below oven door opening.

Country of Destination: GB

Gas		Electric
Natural Gas	20mbar	220 - 240V 50Hz
Butane	29mbar	
Propane	37mbar	

(See appliance data badge for test pressures)

Dimensions	Overall height	minimum 893mm	maximum 920mm
	Overall width	1100mm See 'Positioning of Cooker'	
	Overall depth	648mm	
	Space for fixing	See 'Positioning of Cooker'	
	Minimum space above hotplate	650mm	

Connections	Gas:	Electric
	Rp 1/2 at rear right-hand side	220 - 240V 50Hz

Ratings	Natural Gas		L.P. Gas	
	Hotplate	Injector	Injector	Injector
Right hand Wok burner	3.65kW	internal 80 external 129	3.5kW (246g/h)	internal 54 external 77
Large Burner	3.0kW	134	3.0kW (210g/h)	87
Medium Burners	1.7kW	109	1.7kW (119g/h)	68
Small Burner	1.0kW	75	1.0kW (70g/h)	51

Gas burner inputs based on Gross Calorific Value

Ovens	Left hand Multifunction Oven	Right hand Fan Oven
Fan element	2.5kW	2.5kW
Top element	1.2kW	
Browning Element	1.15kW	
Bottom element	1.0kW	

Grill	2.3kW
-------	-------

**Maximum total electrical load at 230V** 7.5kW (approximate total including oven lights, oven fan etc.)

Ovens	Multifunction	Forced air convection
Energy efficiency class : on a scale of A (more efficient) to G (less efficient)	B	A
Energy consumption based on standard load	0.90kWh	0.85kWh
Usable volume (litres)	62	67
Size	Medium	Large
Time to cook standard load	41 minutes	38 minutes
Baking area	1400cm <sup>2</sup>	1400cm <sup>2</sup>

# RANGEmaster

Clarence Street, Royal Leamington Spa,  
Warwickshire, CV31 2AD, England.

Tel: +44 (0) 1926 457400 Fax: +44 (0) 1926 450526

E-mail: [consumers@rangemaster.co.uk](mailto:consumers@rangemaster.co.uk)

[www.rangemaster.co.uk](http://www.rangemaster.co.uk)





## Free Manuals Download Website

<http://myh66.com>

<http://usermanuals.us>

<http://www.somanuals.com>

<http://www.4manuals.cc>

<http://www.manual-lib.com>

<http://www.404manual.com>

<http://www.luxmanual.com>

<http://aubethermostatmanual.com>

Golf course search by state

<http://golfingnear.com>

Email search by domain

<http://emailbydomain.com>

Auto manuals search

<http://auto.somanuals.com>

TV manuals search

<http://tv.somanuals.com>