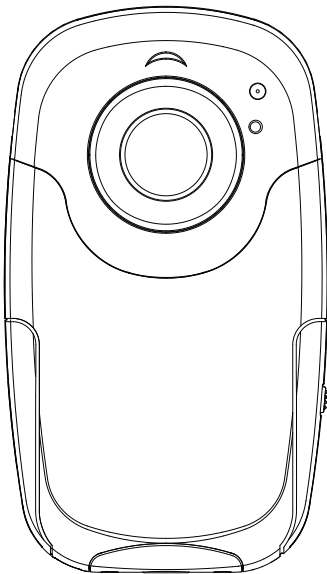


EZ4000
EZ4000R
EZ4000RD
EZ4000RDR
EZ4000BL
EZ4000BLR
EZ4000PL
EZ4000PLR
EZ4000BK
EZ4000BKR

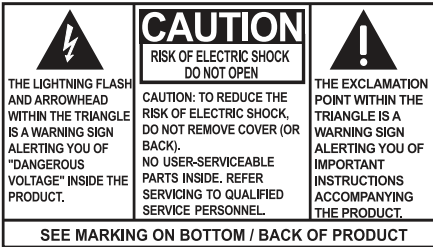


It is important to read this user manual prior to using your new product for the first time.

Important safety instructions

IMPORTANT SAFETY INSTRUCTIONS

PLEASE READ AND SAVE FOR FUTURE REFERENCE



WARNING: TO PREVENT FIRE OR ELECTRICAL SHOCK HAZARD, DO NOT EXPOSE THIS PRODUCT TO RAIN OR MOISTURE.

Some of the following information may not apply to your particular product; however, as with any electronic product, precautions should be observed during handling and use.

- Read these instructions.
- Keep these instructions.
- Heed all warnings.
- Follow all instructions.
- Clean only with dry cloth.
- Do not install near any heat sources such as radiators, heat registers, stoves, or other apparatus (including amplifiers) that produce heat.
- Only use attachments/accessories specified by the manufacturer.
- Refer all servicing to qualified service personnel. Servicing is required when the apparatus has been damaged in any way, such as power-supply cord or plug is damaged, does not operate normally, or has been dropped.

ADDITIONAL SAFETY INFORMATION

- Do not use unauthorized chargers or power adapters. Use only chargers that came with your product or that is listed in the user's guide.
- Do not attempt to disassemble the cabinet. This product does not contain customer serviceable components.
- The marking information is located at the bottom of apparatus.

Important battery information

Warning: Your product contains a battery and charging system which is designed to work in temperatures that do not exceed 50°C (122°F). Leaving this product in a closed automobile or the trunk of an automobile where temperatures may exceed 50°C may result in permanent battery damage, fire, or explosion. Please remove your product from the automobile when you exit, do not place your product in the trunk of your automobile, and do not leave your product in any location where temperatures may exceed 50°C.

Ecology

Help protect the environment - we recommend that you dispose of used batteries by putting them into specially designed receptacles.

Precautions for the unit

- Do not use the unit immediately after transportation from a cold place to a warm place; condensation problems may result.
- Do not store the unit near fire, places with high temperature or in direct sunlight. Exposure to direct sunlight or extreme heat (such as inside a parked car) may cause damage or malfunction.
- Clean the unit with a soft cloth or a damp chamois leather. Never use solvents.
- The unit must only be opened by qualified personnel.

FCC Information

This device complies with Part 15 of the FCC Rules. Operation is subject to the following two conditions: (1) this device may not cause harmful interference, and (2) this device must accept any interference received, including interference that may cause undesired operation.

Note: This equipment has been tested and found to comply with the limits for a Class B digital device, pursuant to Part 15 of FCC Rules. These limits are designed to provide reasonable protection against harmful interference in a residential installation. This equipment generates, uses, and can radiate radio frequency energy and, if not installed and used in accordance with the instructions, may cause harmful interference to radio communications.

However, there is no guarantee that interference will not occur in a particular installation. If this equipment does cause harmful interference to radio or television reception, which can be determined by turning the equipment off and on, the user is encouraged to try to correct the interference by one or more of the following measures:

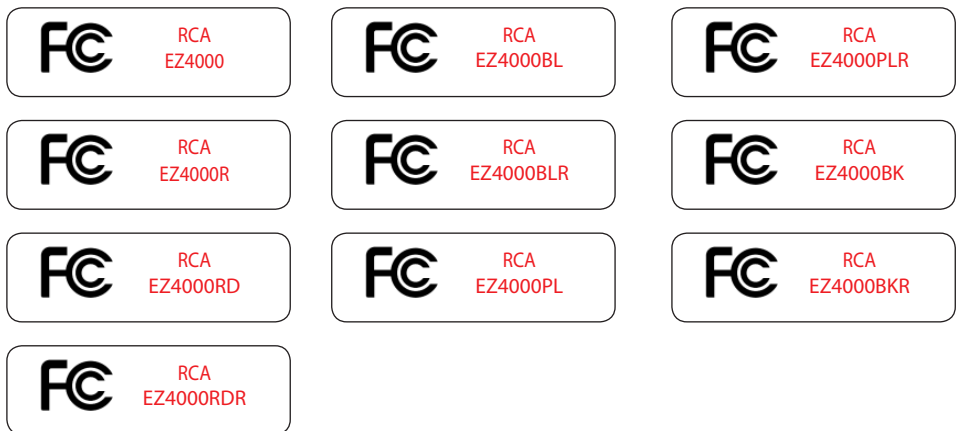
- Reorient or relocate the receiving antenna.
- Increase the separation between the equipment and receiver.
- Connect the equipment into an outlet on a circuit different from that to which the receiver is connected.
- Consult the dealer or an experienced radio/TV technician for help.

Changes or modifications not expressly approved by Audiovox could void the user's authority to operate the equipment.

Manufacturer/Responsible Party
Audiovox Accessories Corporation
111 Congressional Blvd., Suite 350
Carmel, IN 46032

1-317-810-4880 (No technical /product support is available via this number. This phone number is for regulatory matters only.)

Visit www.mysmallwonder.com for technical support



This Class B digital apparatus complies with Canadian ICES-003.
Cet appareil numérique de la classe B est conforme à la norme NMB-003 du Canada.

Contents

Important safety instructions

IMPORTANT SAFETY INSTRUCTIONS	1
Important battery information	1
Ecology.....	2
Precautions for the unit	2

FCC Information..... 3

Contents 4

End user license agreement

End user license agreement.....	6
---------------------------------	---

Getting started

1. Content of the box.....	8
2. Charging the battery.....	8
3. Inserting microSD memory card.....	9
4. Turning on the camcorder	10
5. Resetting the camcorder	10
6. Setting date and time	10

Waterproof precautions

Before using for outdoor activity	11
Using camcorder outdoor.....	11
After using camcorder.....	11

General controls

General controls	12
Operation modes	14

Recording videos

Recording quality.....	15
Quality settings.....	15
Recording videos.....	16

Taking photos

To take photos.....	17
---------------------	----

Playback mode

Playing back recordings.....	18
------------------------------	----

Deleting

Deleting recordings.....	20
--------------------------	----

Menu settings

Using the camcorder menu..... 21
Menu options and settings 21

Connecting to external devices

Viewing videos on TV 22

Managing videos on your computer

Computer system requirements..... 24
About RCA Memory Manager 25
Viewing videos on PC..... 25

Additional information

Tips and troubleshooting..... 26
Product registration 27
For your records 27
Service Information 27
Copyright warning..... 27
Back up your data 27
Visiting RCA website 27
Technical specifications 28

Warranty information

Limited warranty 29

End user license agreement

This is a copy of the EULA that you need to agree to in order to use this product.



End user license agreement

THIS END USER LICENSE AGREEMENT (THIS "EULA") IS A LEGAL AGREEMENT BETWEEN YOU AND AUDIOVOX CORPORATION AND, AS APPLICABLE, ANY AUDIOVOX SUBSIDIARY, AS DEFINED BELOW (COLLECTIVELY "AUDIOVOX"), FOR THE RCA BRANDED PORTABLE DIGITAL AUDIO/VIDEO DEVICE APPLICATION/DRIVER SOFTWARE PROGRAM WHICH MAY INCLUDE ASSOCIATED SOFTWARE COMPONENTS, SOFTWARE LICENSED BY AUDIOVOX FROM THIRD PARTIES ("LICENSORS") AND ASSOCIATED DOCUMENTATION, IF ANY (COLLECTIVELY, THE "PROGRAM"). THIS EULA CONTAINS IMPORTANT LEGAL LIMITATIONS, RESTRICTIONS AND DISCLAIMERS, AND ALSO SPECIFIES THE DURATION OF YOUR LICENSE.

BY INSTALLING THE PROGRAM OR CLICKING ON THE ACCEPTANCE BUTTON OF THE PROGRAM, COPYING OR OTHERWISE USING THE PROGRAM, YOU ACKNOWLEDGE AND AGREE THAT YOU HAVE READ THIS EULA, UNDERSTAND IT, AND AGREE TO BE BOUND BY ITS TERMS AND CONDITIONS. THIS PROGRAM IS PROTECTED BY COPYRIGHT LAWS AND INTERNATIONAL COPYRIGHT TREATIES, AS WELL AS OTHER INTELLECTUAL PROPERTY LAWS AND TREATIES. YOU MAY USE THE PROGRAM ONLY IN ACCORDANCE WITH THIS EULA, AND ANY SUCH USE IS HEREBY UNDERSTOOD TO BE CONDITIONAL UPON YOUR SPECIFIC AGREEMENT TO THE UNMODIFIED TERMS SET FORTH HEREIN. IF YOU DO NOT AGREE WITH ALL OF THE TERMS OF THIS EULA, CLICK ON THE REJECTION BUTTON AND/OR DO NOT INSTALL THE PROGRAM AND/OR DO NOT USE THE PROGRAM.

1. LICENSE

- (a) Under this EULA, you are granted a non-exclusive, non-sublicenseable, non-assignable and non-transferable (except as expressly set forth below) license (i) to use and install the Program on a single workstation, and (ii) to make one (1) copy of the Program into any machine-readable form for backup of the Program, provided the copy contains all of the original Program's proprietary notices.
- (b) You may transfer the Program and license to another party only as a part of the RCA branded Portable Digital Audio/Video Device ("A/V Device"), and only if the other party agrees to accept the terms and conditions of this EULA. If you transfer the Program, you must at the same time either transfer all copies to the same party or destroy any copies not transferred.
- (c) The terms of this EULA will govern any software upgrades or updates provided by AUDIOVOX that replace and/or supplement the original Program, unless such upgrade or update is accompanied by separate license terms and conditions in which case the terms of that separate license will govern. You acknowledge and agree that AUDIOVOX may automatically download upgrades or updates to the Program software to your computer in order to update, enhance, and/or further develop the Program.

2. LICENSE RESTRICTIONS

- (a) Except for the licenses expressly granted to you in this EULA, no other licenses or rights are granted or implied.
- (b) You may not (i) make the Program available over a network where it could be used by multiple computers at the same time; (ii) modify, translate, reverse engineer, decompile, disassemble (except to the extent that this restriction is expressly prohibited by law), or create derivative works based upon the Program; (iii) copy the Program, except as expressly permitted herein; (iv) remove or alter any copyright notices on all copies of the Program; or (v) rent, lease or lend the Program. You agree that you shall only use the Program in a manner that complies with all applicable laws in the jurisdictions in which you use the Program, including, but not limited to, applicable restrictions concerning copyright and other intellectual property rights.
- (c) The Program may contain pre-release code that does not perform at the level of a final code release. In such case, the Program may not operate properly. Updated versions of the Program may be downloaded from www.rcaaudiovideo.com/downloads
- (d) AUDIOVOX is not obligated to provide support services for the Program.
- (e) The Program is provided with "RESTRICTED RIGHTS". Use, duplication, or disclosure by the U.S. Government is subject to restrictions as set forth in subparagraph (c)(1)(ii) of DFARS 252.227-7013, or FAR 52.227-19, or in FAR 52.227-14 Alt. III, as applicable.

3. TERM AND TERMINATION

- (a) Your license is effective on the date you accept this EULA and remains in effect until this EULA is terminated by either party.
- (b) You may terminate this EULA and the associated license, without any notice or delay, by destroying or permanently erasing the Program and all copies thereof.
- (c) If you fail to comply with any of the terms of this EULA, in whole or part, your license will automatically terminate

without notice from AUDIOVOX.

- (d) Upon termination of this EULA and your associated license, you shall cease all use of the Program and destroy or permanently erase the Program and all full or partial copies thereof.

4. WARRANTY DISCLAIMER

THE PROGRAM IS PROVIDED "AS IS" WITHOUT WARRANTY OF ANY KIND, EITHER EXPRESSED OR IMPLIED, INCLUDING, BUT NOT LIMITED TO THE IMPLIED WARRANTIES OF MERCHANTABILITY, FITNESS FOR A PARTICULAR PURPOSE, TITLE OR NON-INFRINGEMENT. THE ENTIRE RISK AS TO THE QUALITY AND PERFORMANCE OF THE PROGRAM IS WITH YOU. SHOULD THE PROGRAM PROVE DEFECTIVE, YOU (AND NOT AUDIOVOX, ITS SUPPLIERS, OR ITS DEALERS) ASSUME THE ENTIRE COST FOR ALL NECESSARY REPAIR OR CORRECTION.

This exclusion of warranty may not be allowed under some applicable laws. As a result, the above exclusion may not apply to you, and you may have other rights depending on the law that applies to you.

5. OWNERSHIP RIGHTS

All title and intellectual property rights, including but not limited to copyrights, in and to the Program and any copies thereof are owned by AUDIOVOX, its Licensors or its suppliers. All title and intellectual property rights in and to the content which may be accessed through use of the Program is the property of the respective content owner and may be protected by applicable copyright or other intellectual property laws and treaties. This license grants you no rights to use such content. All rights not expressly granted are reserved by AUDIOVOX or its Licensors.

6. LIMITATION OF LIABILITY

(a) TO THE MAXIMUM EXTENT PERMITTED BY APPLICABLE LAW, IN NO EVENT SHALL AUDIOVOX, OR ITS DEALERS BE LIABLE FOR ANY SPECIAL, INCIDENTAL, INDIRECT, OR CONSEQUENTIAL DAMAGES WHATSOEVER (INCLUDING, WITHOUT LIMITATION, DAMAGES FOR LOSS OF PROFITS, BUSINESS INTERRUPTION, CORRUPTION OF FILES, LOSS OF BUSINESS INFORMATION, OR ANY OTHER PECUNIARY LOSS) REGARDLESS OF CAUSE OR FORM OF ACTION, INCLUDING CONTRACT, TORT, OR NEGLIGENCE, ARISING OUT OF YOUR USE OF OR INABILITY TO USE THE PROGRAM, EVEN IF AUDIOVOX HAS BEEN ADVISED OF THE POSSIBILITY OF SUCH DAMAGES. BECAUSE SOME STATES AND JURISDICTIONS DO NOT ALLOW THE EXCLUSION OR LIMITATION OF LIABILITY OF CONSEQUENTIAL OR INCIDENTAL DAMAGES, THE ABOVE LIMITATION MAY NOT APPLY TO YOU.

(b) YOU ASSUME RESPONSIBILITY FOR THE SELECTION OF THE APPROPRIATE PROGRAM TO ACHIEVE YOUR INTENDED RESULTS, AND FOR THE INSTALLATION, USE, AND RESULTS OBTAINED.

7. THIRD PARTY SOFTWARE

ANY THIRD PARTY SOFTWARE THAT MAY BE PROVIDED WITH THE PROGRAM IS INCLUDED FOR USE AT YOUR OPTION. IF YOU CHOOSE TO USE SUCH THIRD PARTY SOFTWARE, THEN SUCH USE SHALL BE GOVERNED BY SUCH THIRD PARTY'S LICENSE AGREEMENT, AN ELECTRONIC COPY OF WHICH WILL BE INSTALLED IN THE APPROPRIATE FOLDER ON YOUR COMPUTER UPON INSTALLATION OF THE SOFTWARE. AUDIOVOX IS NOT RESPONSIBLE FOR ANY THIRD PARTY'S SOFTWARE AND SHALL HAVE NO LIABILITY FOR YOUR USE OF THIRD PARTY SOFTWARE.

8. GOVERNING LAW

If you acquired this A/V Device in the United States, this EULA shall be governed and construed in accordance with the laws of the State of Indiana, U.S.A. without regard to its conflict of laws principles. If you acquired this A/V Device outside the United States or the European Union, then local law may apply.

9. GENERAL TERMS

This EULA can only be modified by a written agreement signed by you and AUDIOVOX, and changes from the terms and conditions of this EULA made in any other manner will be of no effect. If any portion of this EULA shall be held invalid, illegal, or unenforceable, the validity, legality, and enforceability of the remainder of the Agreement shall not in any way be affected or impaired thereby. This EULA is the complete and exclusive statement of the agreement between you and AUDIOVOX, which supersedes all proposals or prior agreements, oral or written, and all other communications between you and AUDIOVOX, relating to the subject matter of this hereof. AUDIOVOX'S Licensors shall be considered third party beneficiaries of this Agreement and shall have the right to enforce the terms herein.

"AUDIOVOX SUBSIDIARY" shall mean any person, corporation, or other organization, domestic or foreign, including but not limited to subsidiaries, that is directly or indirectly controlled by Audiovox Corporation including, but not limited to, Audiovox Consumer Electronics, Inc. and Audiovox Electronics Corporation. For purposes of this definition only, the term "control" means the possession of the power to direct or cause the direction of the management and policies of an entity, whether by ownership of voting stock or partnership interest, by contract, or otherwise, including direct or indirect ownership of at least fifty percent (50%) of the voting interest in the entity in question.

Getting started

Dear RCA customer,

Thank you for purchasing the RCA Small Wonder Camcorder. This product will let you record videos with high definition quality. You can also manage your recordings on your computer with the RCA Memory Manager included with this product.

To start using your camcorder, please follow the setup instructions in the following pages.

1. Content of the box

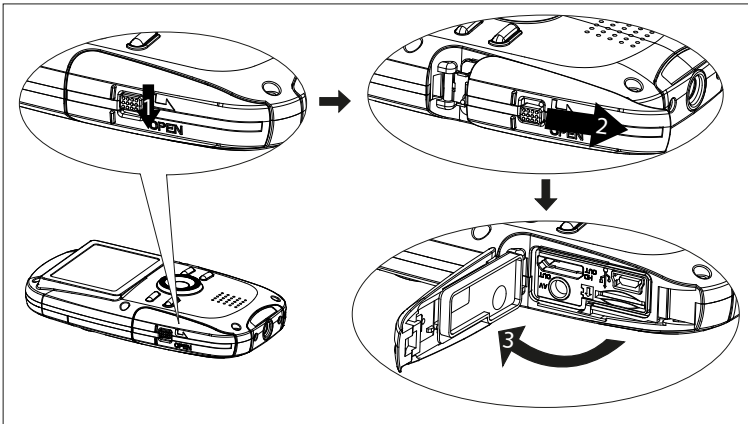
- Small Wonder Camcorder
- AC/DC adapter
- USB cable
- AV cable
- Carrying case
- Wrist strap
- Quick Start Guide
- Owner Registration card
- Warranty leaflet

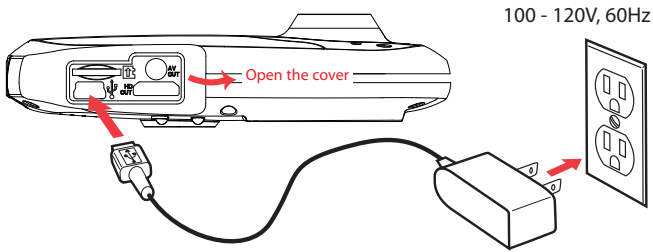
*The camcorder is waterproof. The supplied accessories are not waterproof.

2. Charging the battery

- Please charge the battery for at least 3 hours before first use.
- Charging is faster when the camcorder is switched off.
- The battery can also be charged by connecting to a PC with a USB cable. Refer to page 21 for more information.

Follow below steps to lift up the cover:



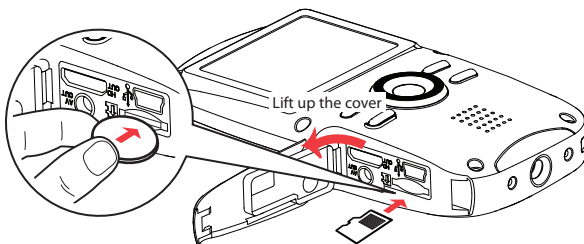
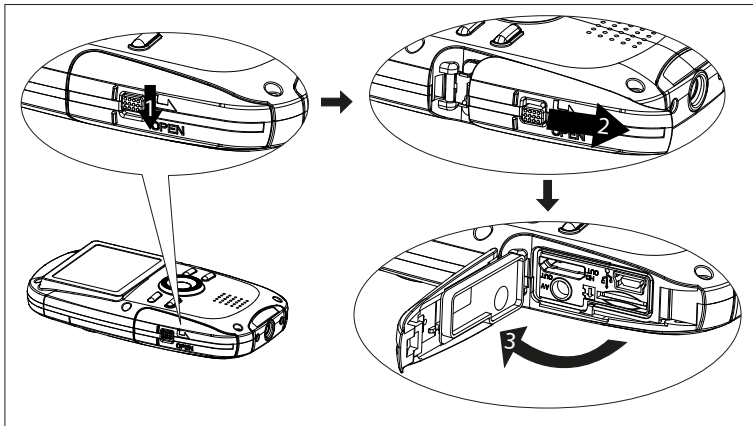


- Use only the provided AC/DC charger
- Image is for reference only, the AC/DC adapter shown in the image may vary from the actual product.

3. Inserting microSD memory card


- A microSD memory card (not included) is recommended for recording as the camcorder internal memory will only permit minutes of recording time.

Follow below steps to lift up the cover:



As the memory card is small in size, it is recommended to use a **small coin** to help insert or remove it.

Push the card in until a click is heard

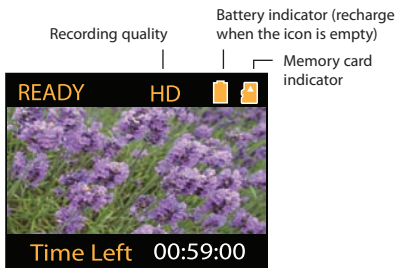
- The card icon () appears on the screen with memory card inserted.
- To remove card, push card in until a click is heard, then slowly release the card. As card is under minimal tension when locked in memory slot, please use care when removing.

- The camcorder has internal memory which only permits minutes of recording time. A microSD memory card is recommended for recording.
- Recordings are saved in the internal memory when microSD memory card is not installed.
- Once microSD memory card is inserted, new recordings will be saved on the memory card.
- In playback mode, the camcorder will playback recordings stored in the microSD memory card. To playback recordings in the internal memory, remove the microSD card.



4. Turning on the camcorder

- Press and hold **MENU/⏻** until the camcorder turns on.
- "Ready" shows on the LCD screen when the camcorder is ready for recording.



- Press and hold **MENU/⏻** to turn off the camcorder.
- The camcorder will automatically turn off after 2 minutes if not in use.
- Refer to the following pages for more information on recording and other operations.

5. Resetting the camcorder

- To reset the camcorder (if it is not functioning properly), press and hold **MENU/⏻** for 10 seconds to reset the camcorder.

6. Setting date and time

- It is recommended to set the date and time before using the camcorder. Refer to "Menu settings" on page 19 for more information.

Waterproof precautions

Before using for outdoor activity

- Make sure to close the card door securely without water, dust, hair or etc. between door and cabinet.
- It may result in malfunction if water, dirt or sand gets inside the camcorder.
- Closing the card door: make sure to close the card door properly and ensure no space between tvthe cover and the cabinet before using.



Using camcorder outdoor

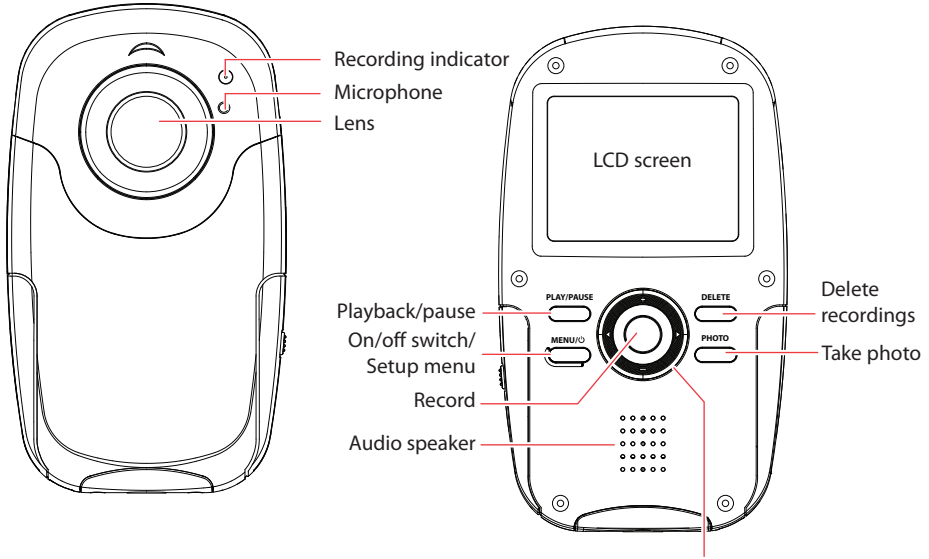
- Do not open or close the card door near the sea, a lake or similar locations.
- Do not open or close the card door with wet hands or in wet environment.
- Before changing your memory card, make sure that the camcorder and your hands are completely dry.
- Do not use the camcorder in water more than 3 meters (9.8 feet) or in water for more than 1 hour consecutively or water temperature exit 0 – 40 degree C.
- Do not open or close the card door in water.
- Do not use the camera in hot water, hot spring bath or etc.
- Do not apply excessive force to the camcorder. The camcorder may be damaged if you dive into water with it.
- Do not leave the camera on sand, excess heat under sunlight may damaged the camcorder.

After using camcorder

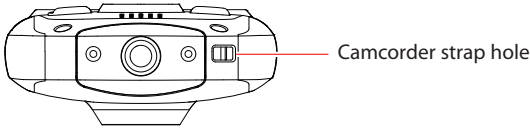
- Wash the camcorder immediately after used in sea or other outdoor activity, and then use cloth to clean it and leave it dry.
- To wash sand, dirt or dust off the camera, rinse it under running tap water or wash it in a bowl of fresh water for 2 to 3 minutes.
- Make sure to wipe any dirt or sand off the waterproof sealing material or its contacting surface. Dirt or sand may scratch the material or the surface, making the camcorder less resistant to water.
- Do not use any soapy water, mild detergents, alcohol or similar liquids to clean the camcorder. They may make the camcorder less resistant to water.
- The waterproof sealing material is replaceable at cost. The material should be replaced once a year to maintain the camera's water resistance.

General controls

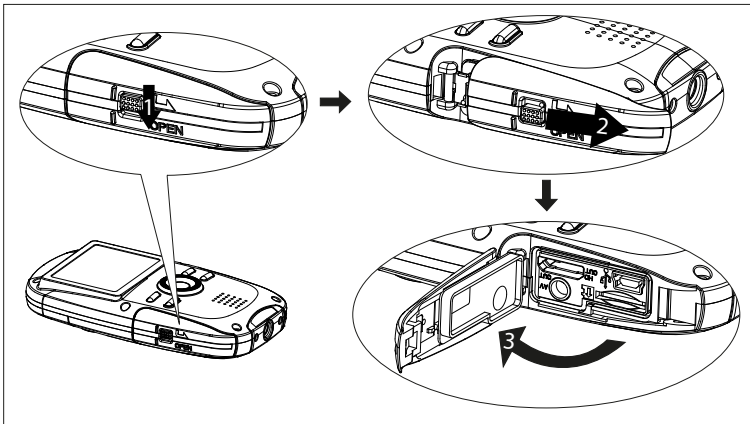
General controls

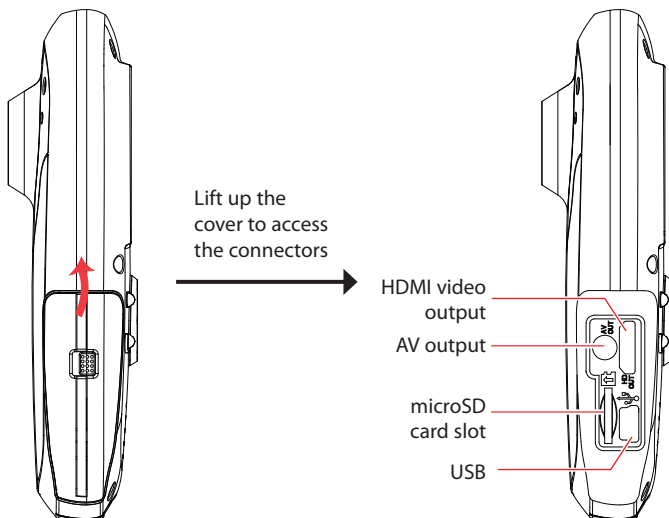


+/- -- Adjust volume during playback/zoom during record and preview
◀/▶ -- Skip to previous or next recording; fast rewind or forward



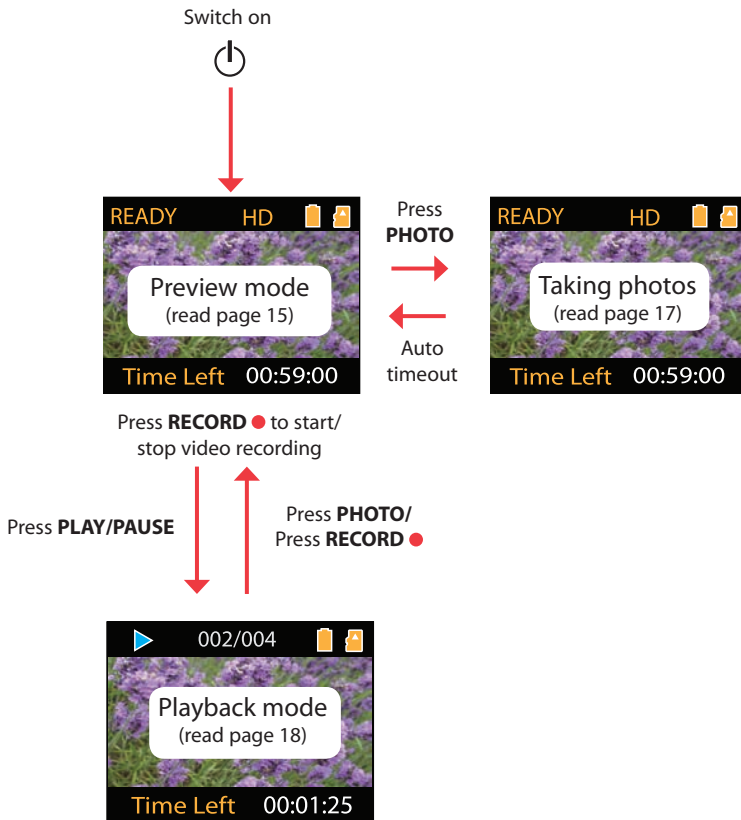
Follow below steps to lift up the cover:





Operation modes

There are two basic modes for operating the camcorder: Preview and Playback. The camcorder will always enter into Preview mode after switched on. Refer to the diagram below for switching between modes and read relevant sections in the user manual for detailed operations.



Recording videos

Recording quality

1. Press **MENU/⏏** to show the camcorder menu.
2. Press + or - to select Video Quality.
3. Press ▶ to enter and press + or - to select from HD, Sports and WebQ.
4. Press ◀ to exit the current menu option.
5. Press **MENU/⏏** to save settings and exit the camcorder menu. The selected setting (HD, Sports or WebQ) appears on the display screen during recording.

Quality settings

Settings	Recommended for:	Resolutions (pixel) and Frame Rate (FPS)	Approx. recording durations on a 16GB memory card*
HD (High Definition mode)	Viewing on TV & Best video quality	1440 x 1080 @ 30fps	5 hours
Sports mode	Viewing on TV & Capturing fast movements	848 x 480 @ 60fps	8 hours
WebQ (Web Quality mode)	Uploading to and viewing on the web	320 x 240 @ 30fps	40 hours

* Actual recording time and capacity will vary depending on type of video content being recorded, system requirements, and other factors.

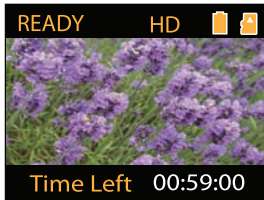
Light conditions can greatly affect the quality of your videos. You can set to optimize the performance of the camcorder under different light sources. Refer to "Menu settings" for more information.



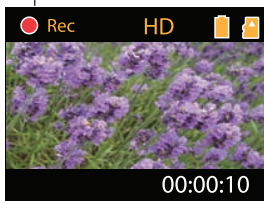
QuickTime and the QuickTime logo are trademarks or registered trademarks of Apple Computer, Inc., used under license therefrom.

Recording videos

1. In Preview mode, press the red **RECORD** ● button to begin recording.



Video recording indicator



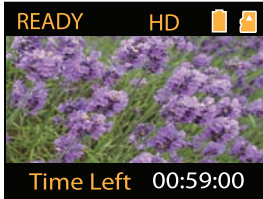
Elapsed time

- While recording, the red recording light on the camcorder front turns on.
2. Press **PLAY/PAUSE** to pause a recording.
 - A pause indicator **||** replaces the red ● at the top left corner of the screen.
 - To resume recording, press **PLAY/PAUSE**.
 3. Press + or – to zoom in or out before or during recording.
 4. Press the red **RECORD** ● button to stop recording.

Taking photos

To take photos

1. In Preview mode, press **PHOTO** to take photos.



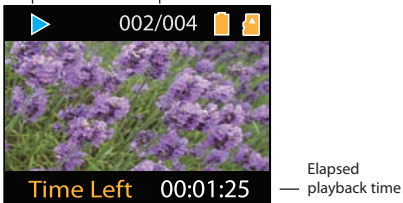
- The resolution of the photos is 12.0 mega pixel which is interpolated from 5 mega pixel sensor.
2. After taking photos, wait for few seconds timeout to return to Preview mode.

Playback mode

Playing back recordings

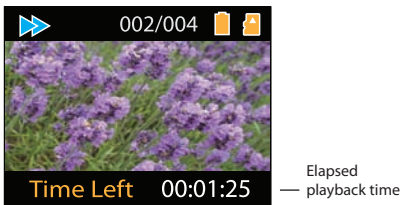
1. Press **PLAY/PAUSE** to enter Playback mode and start playback of the most recent recording (video/photo).

Playback indicator Current file number/Total number of files



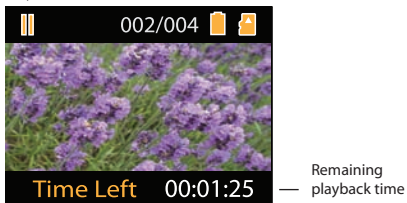
2. Press + or – during playback to adjust volume (video only).
3. Hold down ◀ or ▶ to fast rewind or forward the selected video during playback.

Fast forward indicator



4. Press **PLAY/PAUSE** to pause playback.
- Press **PLAY/PAUSE** again to resume playback.

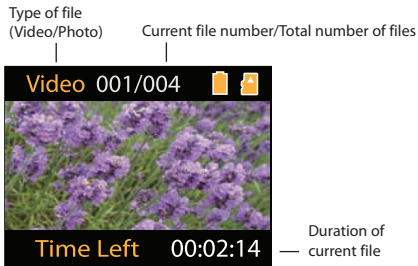
Pause indicator



Press and hold **PLAY/PAUSE** for three seconds to play all recordings.



5. To select another video, press ◀ or ▶ to cue the previous or next video.



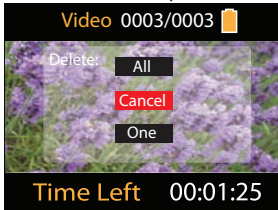
6. If no video is selected after playback has finished, Preview mode will resume after 8 seconds.
- You may also press **PHOTO** to go to Preview mode after playback, or press the red **RECORD** ● button to return to Preview mode

Deleting

Deleting recordings

To delete the last recording:

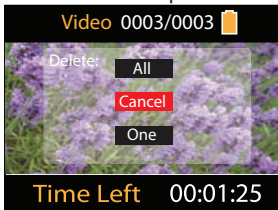
1. Press **DELETE** and press + or - to select **One**.



2. Press the red **RECORD** ● button to confirm delete.

To delete all recordings:

1. Press **DELETE** and press + or - to select **All**.

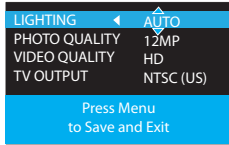


2. Press the red **RECORD** ● button.
3. Press + or - to select **Confirm** and press the red **RECORD** ● button to confirm delete all recordings.

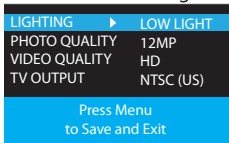
Menu settings

Using the camcorder menu

1. Press **MENU/⏏** to show the camcorder menu on the screen.
2. Press + or – to highlight a menu option.



3. Press ► to enter the highlighted menu option.
4. Press + or – to change the setting.



5. Press ◀ to exit the current menu option.
6. Press **MENU/⏏** to save settings and exit the camcorder menu.

Menu options and settings

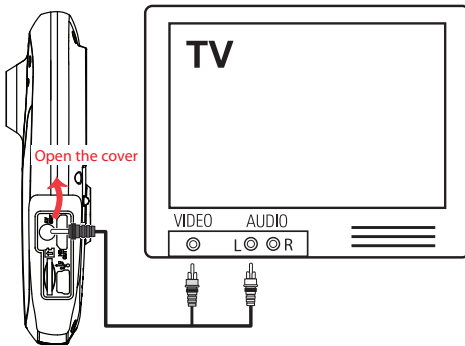
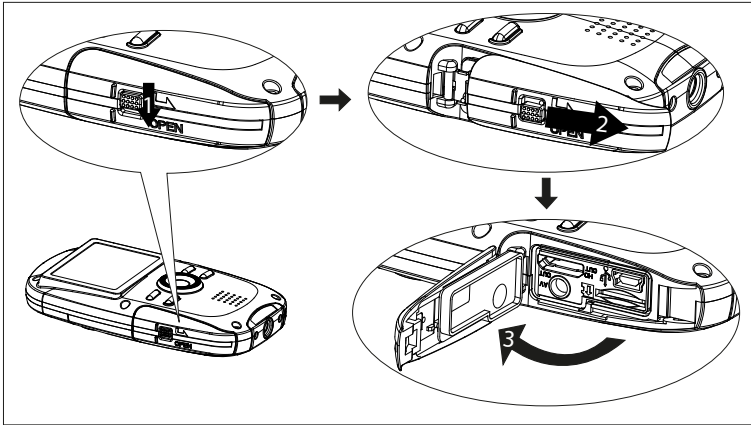
Menu options	Available settings
Lighting	Auto, Low Light, Indoor, Outdoor
Water Mode	On, Off
Photo Quality	3MP, 5MP, 8MP, 12MP
Video Quality	HD, WebQ, Sports
TV Output	NTSC (US), PAL
Date	YYYY - MM - DD
Time	HR : MM AM/PM
Language	English, French, Spanish
Key tone	On, Off
Restore Defaults	No, Yes
System Info	Show the current firmware version

Connecting to external devices

Viewing videos on TV

1. Plug in the AV cable (provided) – Insert the single connector end into the camcorder (AV jack) and connect the double connector ends to the corresponding video (yellow) and audio (white) input jacks on the TV.

Follow below steps to lift up the cover:



2. Turn on the TV and the camcorder.
3. Switch the TV to the selected video input.
 - Refer to your TV manual for instructions.
4. You may play and delete videos viewed on the TV by using the camcorder buttons.

The default TV output standard is NTSC. You can switch it to PAL standard by going to the camcorder menu. Refer to "Menu settings" for more information.



Recording videos to VHS tape or DVD

1. Plug in the AV cable (provided) – Insert the single connector end into the camcorder and connect the double connector ends to corresponding video (yellow) and audio (white) inputs of the recording device (VHS or DVD recorder).
2. Turn on the camcorder and the recording device.
3. Switch recording device to the video input connected to the camcorder.
 - Refer to your user manual of the recording device for instructions.
4. Start recording of your recording device and press and hold **PLAY/PAUSE** on the camcorder for 3 seconds to play all videos on the camcorder.

For best viewing or recording quality, use the HDMI connector on the right panel of the camcorder with an HDMI cable (not included).



Managing videos on your computer

Computer system requirements

Windows: Windows® XP (SP2 or higher) or Windows Vista™ or Windows® 7

- Intel® Core™ 2 Duo CPU E6300 processor (or above), AMD Athlon 64 X2 3800+ (or above) recommended
- 1GB RAM (2GB recommended for editing HD videos)
- 300 MB available hard disk space
- 256 MB Graphics Card or above is recommended
- 1024 x 768 pixels, 32-bit color monitor or higher
- Internet Access (broadband recommended)

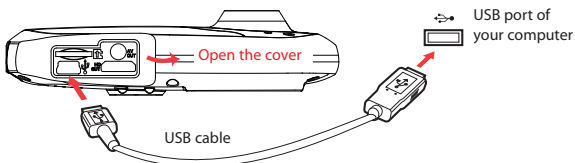
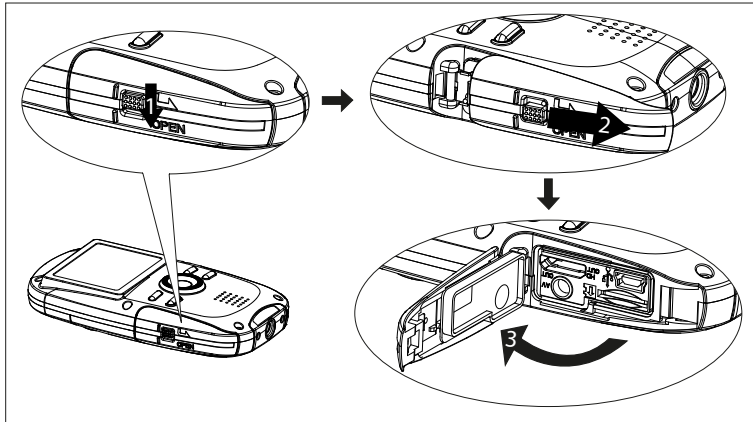
Macintosh: OS X 10.5,10.6

- Intel Core Duo processor (or higher)
- 768 MB RAM (1GB recommended)
- 300 MB free hard drive space for program installation
- 1024 x 768 pixels or higher recommended
- Internet Access (broadband recommended)

Connecting to a PC

1. Connect the supplied USB cable to the connection jack. USB connector standard: mini-B
2. Connect the other end of the cable to the computer.

Follow below steps to lift up the cover:



3. **Windows:** The first time you connect the camcorder to the PC, the Small Wonder will mount as a drive letter. To access the Memory Manager 3 installer, open My Computer and double-click the drive letter associated with the SMALLWONDER label. Double-click **MemoryMgr3_Windows_Installer.exe** to start the installation.
- The RCA Detective application is installed with Memory Manager 3 and will automatically run the Memory Manager 3 application when your camcorder is connected to the PC.

Mac: The first time you connect the camcorder to the Mac, the Small Wonder will mount as a volume labeled **SMALLWONDER** on the desktop. To access the Memory Manager 3 installer, double-click the SMALLWONDER volume. Double-click the **RCAMacInstallers.dmg** disk image in the **SMALLWONDER** volume. Locate the **RCAMacInstallers** volume on the desktop and Double-click on it. Double-click the **MemoryMgr3 Mac Installer** file in the **RCAMacInstallers** volume to start the installation. After the Memory Manager 3 installation has completed, double-click the **RCA Detective Installer** file in the RCAMacInstallers volume to install the RCA Detective application, which will automatically run the Memory Manager 3 application when your camcorder is connected to the Mac.



- Camcorder cannot record while connected to the PC.
- Memory Manager is proprietary software licensed by Audiovox Corporation.

About RCA Memory Manager

The included RCA Memory Manager application lets you:

- Browse and play videos
- Delete videos
- Save videos to your computer
- Edit videos by simply drag-and-drop

For more detailed instructions on using RCA Memory Manager, please refer to the help section in the software.



Viewing videos on PC

To ensure that videos can be managed and played on your PC:

- Make sure to install the included Memory Manager application.

* The application is also available for free download at www.mysmallwonder.com

Windows is a registered trademark of Microsoft Corporation in the United States and other countries.

Additional information

Tips and troubleshooting

Cannot turn on the camcorder.

- Make sure the battery is not empty. Refer to the user manual to properly charge the camcorder before use.

MicroSD card cannot be detected by camcorder.

- Make sure the microSD card is inserted properly. Remove and insert the card from the card slot again when the camcorder is powered off.

Camcorder not turned on after connected to PC or AC/DC adapter.

- The camcorder battery may be very low. Press and hold **MENU/⏻** to turn on the camcorder after connected to PC or AC/DC adapter.

Cannot record videos.

- Make sure the memory space is not full for recording.

Available time for recording has significantly reduced.

- Make sure you have properly selected the video recording quality before recording.

The recording time and date are incorrect.

- Make sure you have properly set the date and time in the setting menu. Refer to "Menu settings" for more information.

The keytone is annoying. Can it be switched off?

- Yes. Refer to "Menu settings" for more information.

No sound when playing back recordings.

- Adjust the volume by pressing + or – during playback.

Pictures are distorted when videos are played back via connected TV set.

- Make sure you have correctly selected the TV output system (PAL or NTSC) from the setting menu. Refer to "Menu settings" for more information.

Can I retrieve deleted videos and photos?

- Unfortunately, deleted videos cannot be retrieved.

The camcorder is not functioning properly.

- Press and hold **MENU/⏻** for 10 seconds to reset the camcorder.

Cannot view recorded videos on PC.

- Install the included Memory Manager software and use it to view videos on your PC. Visit www.mysmallwonder.com and download the latest version of Memory Manager software, install it for viewing videos on your PC.
- Use software Quicktime to playback video file.

My friends cannot view the videos I have sent them.

- Use the SHARE functions of the Memory Manager for sharing videos with friends and family. The native files from the camcorder may not play in other computers.

Product registration

Please go to www.mysmallwonder.com for online registration.

For your records

Keep your sales receipt for proof of purchase to obtain warranty parts and service.

In the event that service should be required, you may need both the model number and the serial number.

In the space below, record the date and place of purchase, and the serial number:

Model No.

Date of Purchase

Place of Purchase

Serial No.

Service Information

This product should be serviced only by those specially trained in appropriate servicing techniques. For instructions on how to obtain service, refer to the warranty included in this Guide.

Copyright warning

This player is for your personal use only. Unauthorized recording or duplication of copyrighted material may infringe upon the rights of third parties and may be contrary to copyright laws.

Back up your data

As with any portable player, you must back up the drive regularly. The manufacturer is not responsible for lost data.

Visiting RCA website

Please visit www.mysmallwonder.com for:

- Latest software and firmware
- RCA Memory Manager Software
- User manual
- Frequently asked questions (FAQ)
- Customer service and technical support information

Technical specifications

Product:

- Digital Camera Recorder

Brand:

- RCA

Model:

- EZ4000, EZ4000R, EZ4000RD, EZ4000RDR, EZ4000BL, EZ4000BLR, EZ4000PL, EZ4000PLR, EZ4000BK and EZ4000BKR

Battery:

- Built-in rechargeable lithium polymer battery, 3.7 V DC

Power Adapter (Battery Charger):

- Rated input: 100 – 120 V AC, 60Hz, 0.3 A
- Rated output: 5 V DC, 0.5A

Size and frame rate of video recordings:

- HD mode: 1440 x 1080 pixels @ 30 fps (H.264 video compression, MOV file format)
- Sports mode: 848 x 480 pixels @ 60 fps (H.264 video compression, MOV file format)
- webQ mode: 320 x 240 pixels @ 30 fps (H.264 video compression, MOV file format)

Size of still images:

- 4000 X 3000 pixels (JPG)

Recording media:

- Internal memory
- MicroSD card (not included)

Maximum recording time (approximate figures):

Video Recording Modes	Maximum recording time with 16 GB microSD card
HD (High Definition mode)	5 hours
Sports mode	8 hours
Web Q (Web Quality mode)	40 hours
Maximum no. of photos can be taken	2000

LCD screen:

- 2 inches

Microphone:

- Mono microphone

Charging Time:

- 3 hours

Warranty information

Limited warranty

12 Month Limited Warranty Applies to RCA Audio/Video Products

AUDIOVOX ELECTRONICS CORP. (the Company) warrants to the original retail purchaser of this product that should this product or any part thereof, under normal use and conditions, be proven defective in material or workmanship within 12 months from the date of original purchase, such defect(s) will be repaired or replaced with reconditioned product (at the Company's option) without charge for parts and repair labor.

To obtain repair or replacement within the terms of this Warranty, the product is to be delivered with proof of warranty coverage (e.g. dated bill of sale), specification of defect(s), transportation prepaid, to the Company at the address shown below.

This Warranty does not extend to the elimination of externally generated static or noise, to correction of antenna problems, loss/interruptions of broadcast or internet service, to costs incurred for installation, removal or reinstallation of product, to corruptions caused by computer viruses, spyware or other malware, to loss of media, files, data or content, or to damage to tapes, discs, removable memory devices or cards, speakers, accessories, computers, computer peripherals, other media players, home networks or vehicle electrical systems.

This Warranty does not apply to any product or part thereof which, in the opinion of the Company, has suffered or been damaged through alteration, improper installation, mishandling, misuse, neglect, accident, or by removal or defacement of the factory serial number/bar code label(s). THE EXTENT OF THE COMPANY'S LIABILITY UNDER THIS WARRANTY IS LIMITED TO THE REPAIR OR REPLACEMENT PROVIDED ABOVE AND, IN NO EVENT, SHALL THE COMPANY'S LIABILITY EXCEED THE PURCHASE PRICE PAID BY PURCHASER FOR THE PRODUCT.

This Warranty is in lieu of all other express warranties or liabilities. ANY IMPLIED WARRANTIES, INCLUDING ANY IMPLIED WARRANTY OF MERCHANTABILITY, SHALL BE LIMITED TO THE DURATION OF THIS WRITTEN WARRANTY. ANY ACTION FOR BREACH OF ANY WARRANTY HEREUNDER INCLUDING ANY IMPLIED WARRANTY OF MERCHANTABILITY MUST BE BROUGHT WITHIN A PERIOD OF 24 MONTHS FROM DATE OF ORIGINAL PURCHASE. IN NO CASE SHALL THE COMPANY BE LIABLE FOR ANY CONSEQUENTIAL OR INCIDENTAL DAMAGES FOR BREACH OF THIS OR ANY OTHER WARRANTY. No person or representative is authorized to assume for the Company any liability other than expressed herein in connection with the sale of this product.

Some states do not allow limitations on how long an implied warranty lasts or the exclusion or limitation of incidental or consequential damage so the above limitations or exclusions may not apply to you. This Warranty gives you specific legal rights and you may also have other rights which vary from state to state.

How to make a warranty claim:

- If your product is capable of storing content (such as an mp3 player, digital voice recorder, etc), it is recommended to make periodic backup copies of content stored on the product. If applicable, before shipping a product, make a back up copy of content or data stored on the device. Also, it is advisable to remove any personal content which you would not want exposed to others. IT IS LIKELY THAT CONTENTS AND DATA ON THE DEVICE WILL BE LOST DURING SERVICE AND REFORMATTING. AUDIOVOX ACCEPTS NO LIABILITY FOR LOST CONTENT OR DATA, OR FOR THE SECURITY OF ANY PERSONAL CONTENT OR DATA ON THE RETURNED DEVICE. Product will be returned with factory default settings, and without any pre-loaded content which may have been installed in the originally purchased products. Consumer will be responsible for reloading data and content. Consumer will be responsible to restore any personal preference settings.
- Properly pack your unit. Include any remotes, memory cards, cables, etc. which were originally provided

with the product. However DO NOT return any removable batteries, even if batteries were included with the original purchase. We recommend using the original carton and packing materials.

- Include evidence of purchase date such as the bill of sale. Also print your name and address and a description of the defect. Send via standard UPS or its equivalent to:

Audiovox Electronics Corp.

Attn: Service Department.

150 Marcus Blvd.

Hauppauge N.Y. 11788

1-877-833-3491

- Insure your shipment for loss or damage. Audiovox accepts no liability in case of damage or loss en route to Audiovox.
- Pay any charges billed to you by the Exchange Center for service not covered by the warranty.
- A new or refurbished unit will be shipped to you freight prepaid.

What we will do:

Provide you with a new, or at our option, a refurbished unit. The exchange unit is under warranty for the remainder of the original product's warranty period.

For Canada Customers, please ship to:

Audiovox Return Centre

c/o Genco

6685 Kennedy Road,

Unit#3, Door 16,

Mississauga, Ontario

L5T 3A5

Illustrations contained within this publication are for representation only and subject to change.

The descriptions and characteristics given in this document are given as a general indication and not as a guarantee. In order to provide the highest quality product possible, we reserve the right to make any improvement or modification without prior notice.

Visit <http://store.audiovox.com> to find the best accessories for your products.



For Customer Service
Visit Our Website At

www.mysmallwonder.com

Product Information, Photos,
FAQ's, User Manual

(C) 2010 Audiovox Accessories Corporation
111 Congressional Blvd., Suite 350
Carmel, IN 46032
Trademark(s) ® Registered

v1.0 (1.0.1.0)

Free Manuals Download Website

<http://myh66.com>

<http://usermanuals.us>

<http://www.somanuals.com>

<http://www.4manuals.cc>

<http://www.manual-lib.com>

<http://www.404manual.com>

<http://www.luxmanual.com>

<http://aubethermostatmanual.com>

Golf course search by state

<http://golfingnear.com>

Email search by domain

<http://emailbydomain.com>

Auto manuals search

<http://auto.somanuals.com>

TV manuals search

<http://tv.somanuals.com>