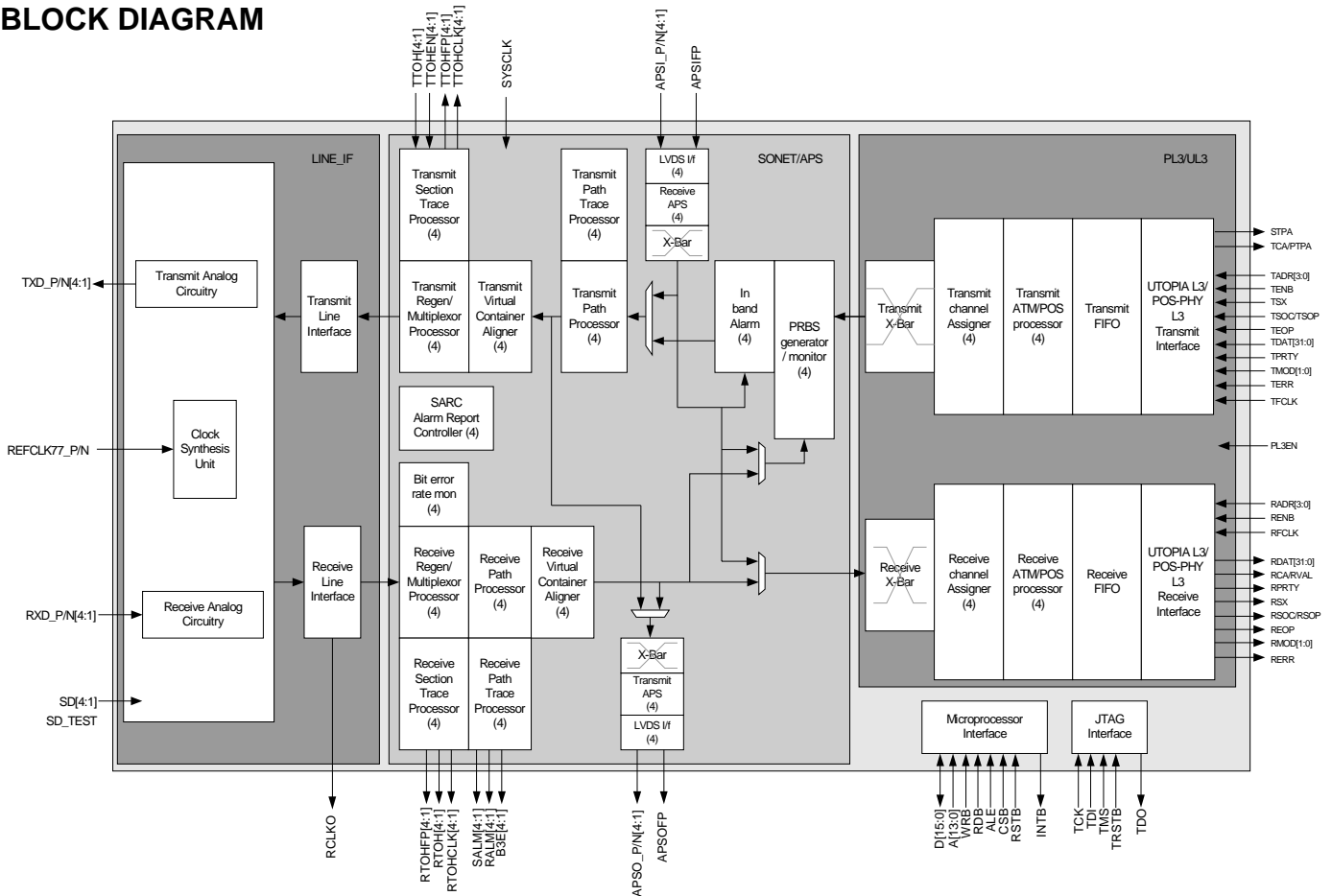


Multi-rate SATURN User Network Interface for 2x622 and 4x155

FEATURES

- Single chip ATM and POS User Network Interface that supports up to 2x622.08 Mbit/s, 4x155.52 Mbit/s, 1x622.08 + 3x155.52 Mbit/s, or 2x622.08 Mbit/s + 2x155.52 Mbit/s.
- Implements the ATM Forum User Network Interface Specification and the ATM physical layer for Broadband ISDN according to CCITT Recommendation I.432.
- Implements the Point-to-Point Protocol (PPP) over SONET/SDH specification according to RFC 2615(1619)/1662 of the PPP Working Group of the Internet Engineering Task Force (IETF).
- Processes up to two duplex bit-serial 622.08 Mbit/s STS-12 (STM-4) data streams with on-chip clock and data recovery and clock synthesis. Each STS-12 (STM-4) may contain a single STS-12c (AU-4-4c) or up to four STS-3c (AU-4).
- Processes up to four duplex bit-serial 155.52 Mbit/s STS-3 (STM-1) data streams with on-chip clock and data recovery and clock synthesis. Each STS-3 (STM-1) may contain a single STS-3c (AU-4).
- Permits mixed OC-12 and OC-3 data streams.
- Complies with Telcordia GR-253-CORE jitter tolerance, jitter transfer, and intrinsic jitter criteria.
- Provides termination for SONET Section, Line, and Path overhead or SDH Regenerator Section, Multiplexer Section, and High Order Path overhead.
- Provides cross bar functionality to swap STS-12 and STS-3 clients to/from different line-side interfaces.
- Provides support for automatic protection switching via a 4-bit LVDS 777.6 MHz port.
- Provides cross bar functionality to swap STS-12 and STS-3 lines and/or clients to/from different APS interfaces.
- Provides UTOPIA Level 3 32-bit wide System Interface (clocked up to 104 MHz) with parity support for ATM applications.
- Provides SATURN® POS-PHY™ Level 3 (32-bit System Interface (clocked up to 104 MHz) for Packet over SONET (POS) or ATM applications.
- Supports independent loop-timed operation for each transmit serial stream.

BLOCK DIAGRAM



Multi-rate SATURN User Network Interface for 2x622 and 4x155

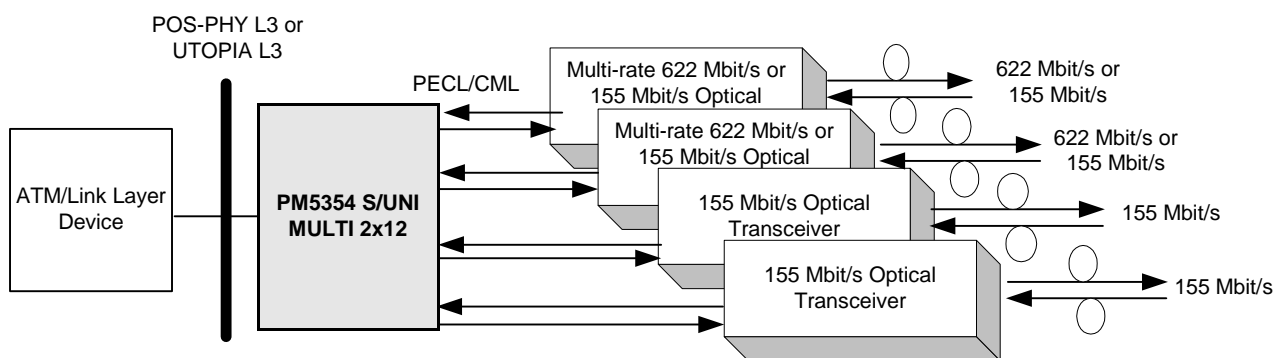
- Supports independent line loop back from each line side receive stream to the corresponding transmit stream and independent diagnostic loop back from the line side transmit stream to the corresponding line side receive stream interface.
- Provides PRBS-23 generator/monitor for off-line link verification
- Provides a standard 5 signal IEEE 1149.1 JTAG test port for boundary scan board test purposes.
- Provides a generic 16-bit microprocessor bus interface for configuration, control, and status monitoring.
- Low power 1.8V CMOS core logic with 3.3V CMOS/TTL compatible digital inputs and digital outputs. PECL inputs and outputs are 3.3V compatible.
- Industrial temperature range (-40°C to +85° C).
- 500-ball UBGA package.

APPLICATIONS

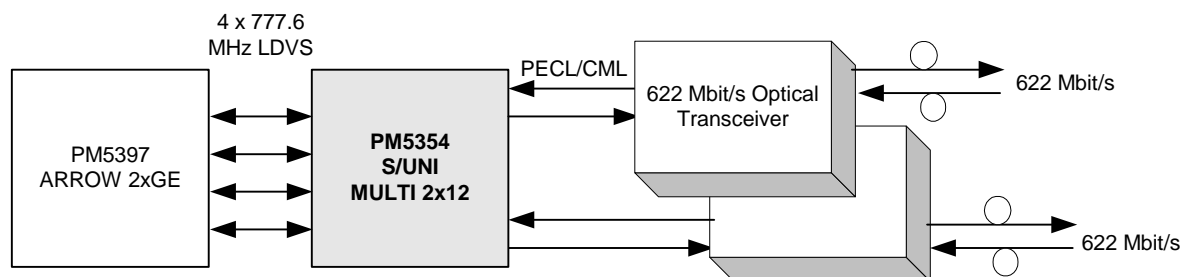
- ATM and Multi-service switches, routers, and switch/routers.
- SONET/SDH Add/Drop Multiplexers with data processing capabilities.
- Uplink cards.
- SONET/SDH ATM/POS Test Equipment.

TYPICAL APPLICATIONS

2XOC-12 OR 4XOC-3 PORT CARD FOR MULTI-SERVICE SWITCHES OR ROUTERS



2XGE TO 2XOC-12 ETHERNET OVER SONET/SDH APPLICATION



Head Office:
 PMC-Sierra, Inc.
 8555 Baxter Place
 Burnaby, B.C. V5A 4V7
 Canada
 Tel: +1.604.415.6000
 Fax: +1.604.415.6200

To order documentation,
 send email to:
document@pmc-sierra.com
 or contact the head office,
 Attn: Document Coordinator

All product documentation is
 available on our web site at:
<http://www.pmc-sierra.com>
 For corporate information,
 send email to:
info@pmc-sierra.com

PMC-2021540 (R3)
 © Copyright PMC-Sierra, Inc. 2003. All
 rights reserved.

For a complete list of PMC-Sierra's
 trademarks and registered trademarks,
 visit: <http://www.pmc-sierra.com/legal>

Free Manuals Download Website

<http://myh66.com>

<http://usermanuals.us>

<http://www.somanuals.com>

<http://www.4manuals.cc>

<http://www.manual-lib.com>

<http://www.404manual.com>

<http://www.luxmanual.com>

<http://aubethermostatmanual.com>

Golf course search by state

<http://golfingnear.com>

Email search by domain

<http://emailbydomain.com>

Auto manuals search

<http://auto.somanuals.com>

TV manuals search

<http://tv.somanuals.com>