

Panasonic Broadcast Mechanical Parts List

MODEL: AJ-SD965P/AJ-SD965E/D965MC/SD945E/YAC965E


Note:

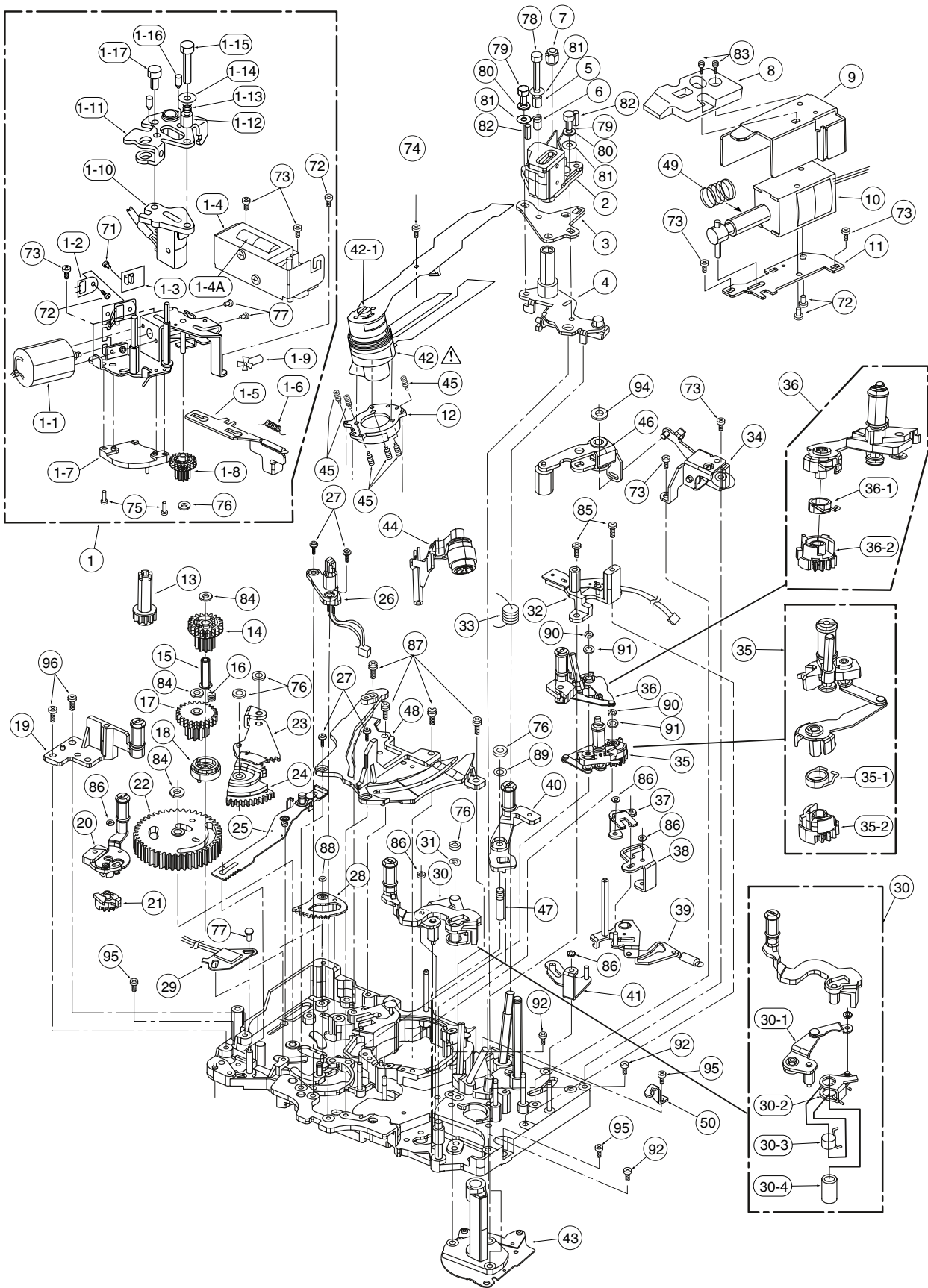
1. *Be sure to make your orders of replacement parts according to this list.
2. Unless otherwise specified, all resistors are in OHMS, K=1,000 OHMS, all capacitors are in MICROFARADS (μ F), P= μ μ F.
3. The P.C. Board unit marked with "■" shown below the main assembled parts.
4. The parts marked with ⊕ on the exploded view show the electric parts.
5. IMPORTANT SAFETY NOTICE
Components identified with the mark \triangle have the special characteristics for safety. When replacing any of these components, use only the same type.
6. The marking (RTL) indicates the retention time is limited for this item.
After the discontinuation of this assembly in production, it will no longer be available.
7. "M" in Remark column indicates needed in the periodical maintenance.

CONTENTS

MECHANICAL CHASSIS ASSEMBLY (1)	MPL-1
MECHANICAL CHASSIS ASSEMBLY (2)	MPL-3
SUB CHASSIS ASSEMBLY	MPL-5
FRONT LOADING ASSEMBLY	MPL-7
CASING ASSEMBLY	MPL-9
FRONT PARTS ASSEMBLY	MPL-11
REAR PANEL ASSEMBLY	MPL-13
CHASSIS FRAME ASSEMBLY	MPL-15
PACKING PARTS ASSEMBLY	MPL-17

MECHANICAL CHASSIS ASSEMBLY (1)

Components identified with the mark  have the special characteristics for safety. When replacing any of these components, use only the same type.



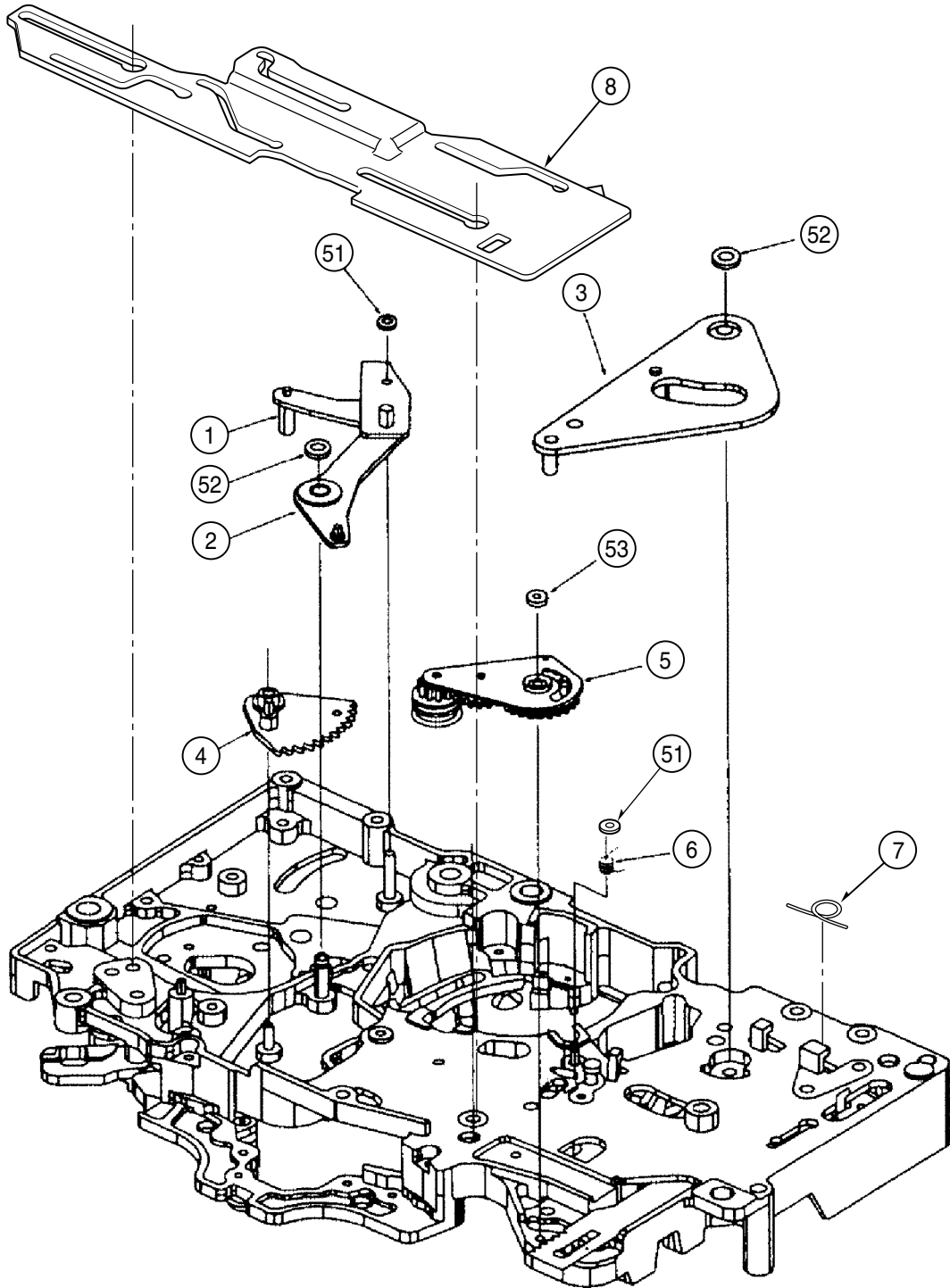
MPL-1

MECHANICAL CHASSIS ASSEMBLY (1)

Components identified with the mark Δ have the special characteristics for safety. When replacing any of these components, use only the same type.

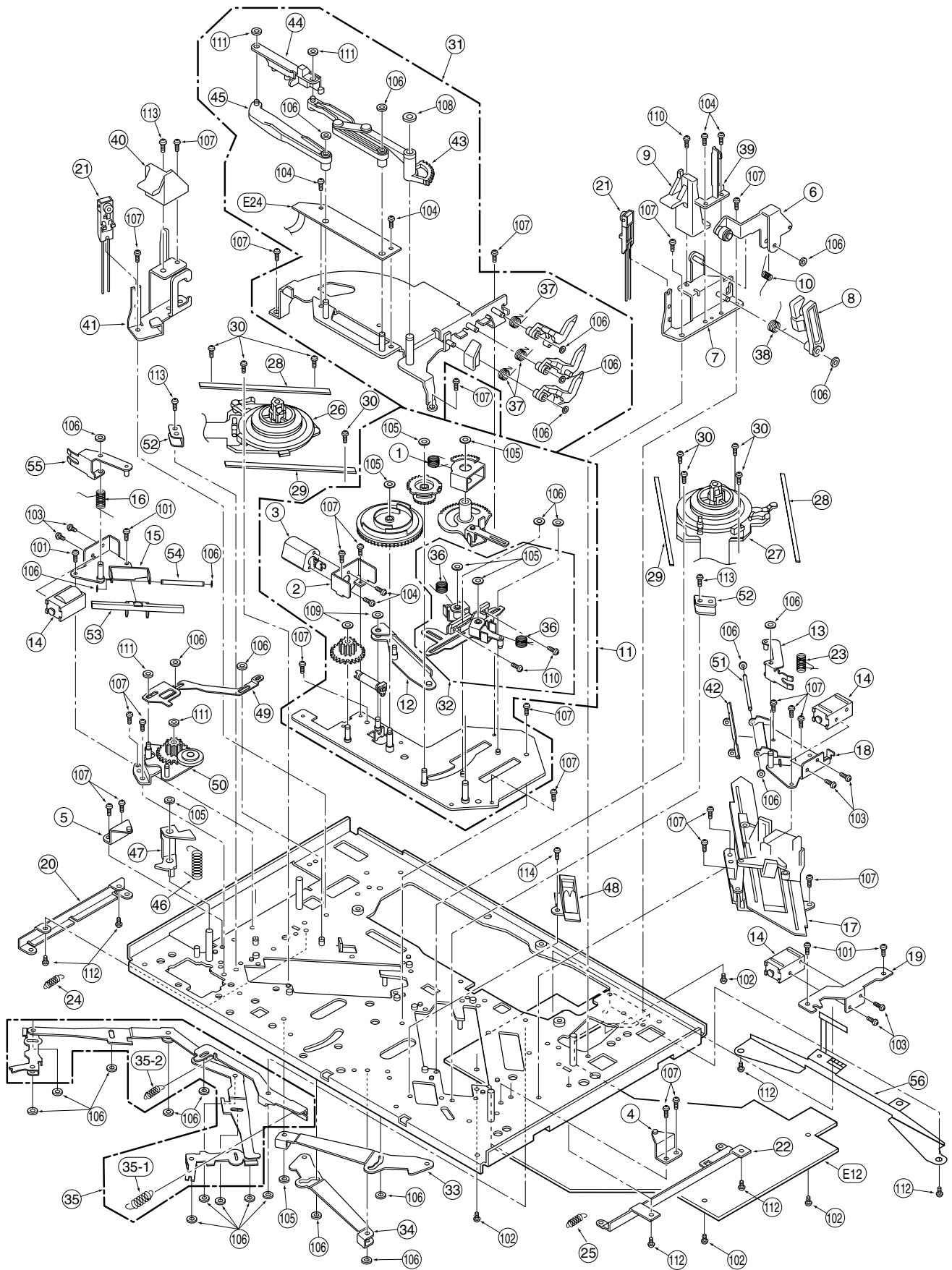
Ref.No.	Part No.	Part Name & Description	Pcs	Remarks	Ref.No.	Part No.	Part Name & Description	Pcs	Remarks
1	VXA7038	MOTOR BRACKET ASS'Y	1		48	VMD4544	LOADING SECTOR GEAR ASS'Y	1	
1-1	VEM0726	MOTOR ASS'Y	1 (M)		49	VMB2948	SPRING	1	
1-2	EYHS77Y7	DEW SENSOR ASS'Y	1		50	VMC1652	T PORT GUIDE	1	
1-3	VEK8982	FG SENSOR	1						
1-4	VXA6656	CLEANER SOLENOID ASS'Y	1						
1-4A	VSJ0226	CLEANER SOLENOID	1 (M)		71	XQN2+A3	SCREW	1	
1-5	VMM0441	CLEANER ROD	1		72	XQN2+A2FJ	SCREW	4	
1-6	VMB3454	CLEANER SPRING	1		73	XQN2+CF3FJ	SCREW	7	
1-7	VES0925	MODE SW ASS'Y	1 (M)		74	XYN2+J7FJ	SCREW	1	
1-8	VDG1426	WORM WHEEL	1		75	XQN2+A5	SCREW	2	
1-9	VXP2029	WORM	1		76	VMX0967	CUT WASHER	5	
1-10	VED0468	PRE CTL HEAD 1 ASS'Y	1 (M)		77	XQN16+A2FJ	SCREW	3	
1-11	VXA6737	PRE CTL HOLDER ASS'Y	1		78	XVE2B12FP	HEX SCREW	1	
1-12	VMS5987	AZIMUTH SLEEVE	1		79	XVE2B4FZ	HEX SCREW	2	
1-13	VMB2937	A/C HEAD ADJUST SPRING	1		80	XWA2B	WASHER	2	
1-14	XWG2	WASHER	1		81	XWG2A5	WASHER	3	
1-15	XVE2B10FP	SCREW	1		82	XXE2A6FP	HEX SCREW	2	
1-16	XXE2A6FP	HEX SCREW	1		83	XYN2+J5FJ	SCREW	2	
1-17	XVE2B6FP	HEX SCREW	1		84	VMX1599	CUT WASHER	3	
2	VED0466	A/C HEAD 1 ASS'Y	1 (M)		85	XQN2+CF4FJ	SCREW	2	
3	VMA0F40	HORIZONTAL FIX BASE	1		86	VMX1061	WASHER	5	
4	VXA6658	HIGHT FIX BASE	1		87	XYN2+C5FJ	SCREW	4	
5	VMS5987	AZIMUTH SLEEVE	1		88	VMX2027	CUT WASHER	1	
6	VMB2937	A/C HEAD ADJUST SPRING	1		89	XWGV2Y4G	WASHER	1	
7	VHN0365	NYLON NUT	1		90	XUC12FP	E-RING	2	
8	VMA0F93	CABLE GUIDE	1		91	XWGV15Z3ZG	WASHER	2	
9	VMA0E98	SOLENOIDE ANGLE	1		92	XQN2+B3FJK	SCREW	3	
10	VSJ0227	PINCH SOLENOID	1 (M)		94	VMX0653	CUT WASHER	1	
11	VMA0E90	SOLENOID BASE	1		95	XYN26+C5FJ	SCREW	3	
12	VXA7970	CYLINDER ADAPTOR U	1		96	XQN2+C4FJ	SCREW	2	
13	VDG1434	EM GEAR	1		*	VXY1870Z1	MECHANICAL CHASSIS ASS'Y	1 (M)	
14	VDG1437	CAM CONNECTION GEAR B	1						
15	VMX2993	EM SLEEVE	1						
16	VMB3440	EM GEAR SPRING	1						
17	VDG1423	CAM CONNECTION GEAR A	1						
18	VXP2037C	EMARGENCY CONNECTION GEAR	1						
19	VXA7523	S4 POST BASE ASS'Y	1 (M)						
20	VXL3165	S TENSION ARM ASS'Y	1 (M)						
21	VDG1438	TENSION LEG GEAR	1						
22	VDG1424	MAIN CAM GEAR	1 (M)						
23	VXA6647	S LOAD SECTOR GEAR	1						
24	VDG1422	S CONNECTION GEAR	1						
25	VXA7558	EM ROD ASS'Y	1						
26	VEK8936	LED ASS'Y	1						
27	LMHD16064	SCREW	4						
28	VXA6700	TENSION LEG SECTOR GEAR	1						
29	VXA6644	TENSION SENSOR ASS'Y	1						
30	VXL3164	T5 ARM ASS'Y	1 (M)						
30-1	VXL2989	T5 DRIVE LEVER A	1						
30-2	VXL2991	T5 DRIVE LEVER B	1						
30-3	VMB3436	T5 CHARGE SPRING	1						
30-4	VMX2982	T5 ARM SLEEVE	1						
31	VMB3418	T5 THRUST SPRING	1						
32	VMD3910	TENSION BASE	1						
33	VMB3434	A/C HIGHT SPRING	1						
34	VXA6703	PINCH ELEVATOR ASS'Y	1						
35	VXA7886C	T LOADING ASS'Y	1 (M)						
35-1	VMB3426	T-LOADING SPRING	1						
35-2	VDG1428	T-LOADING GEAR	1						
36	VXA7885C	S LOADING ASS'Y	1 (M)						
36-1	VMB3425	S LOADING SPRING	1						
36-2	VDG1427	S LOADING GEAR	1						
37	VXL3008C	SOLENOID TURN ARM U	1						
38	VML3520	SLENOID CONNECTION ARM	1						
39	VXL3002	PINCH TURN ARM	1						
40	VXL3163	T6 ARM ASS'Y	1 (M)						
41	VXL3011C	ELEVATOR DRIVE ASS'Y	1						
Δ 42	VEG1501	CYLINDER UNIT	1 (M)						
42-1	VMD3885	CAP	1						
43	VEM0717	CAPSTAN ASS'Y	1 (M)						
44	VXL3028	CLEANING ARM ASS'Y	1 (M)						
45	VXQ0439	SCREW	6						
46	VXL3040	PINCH ARM ASS'Y	1 (M)						
47	VMB3418	T5 THRUST SPRING	1						

MECHANICAL CHASSIS ASSEMBLY (2)



MPL-3

SUB CHASSIS ASSEMBLY

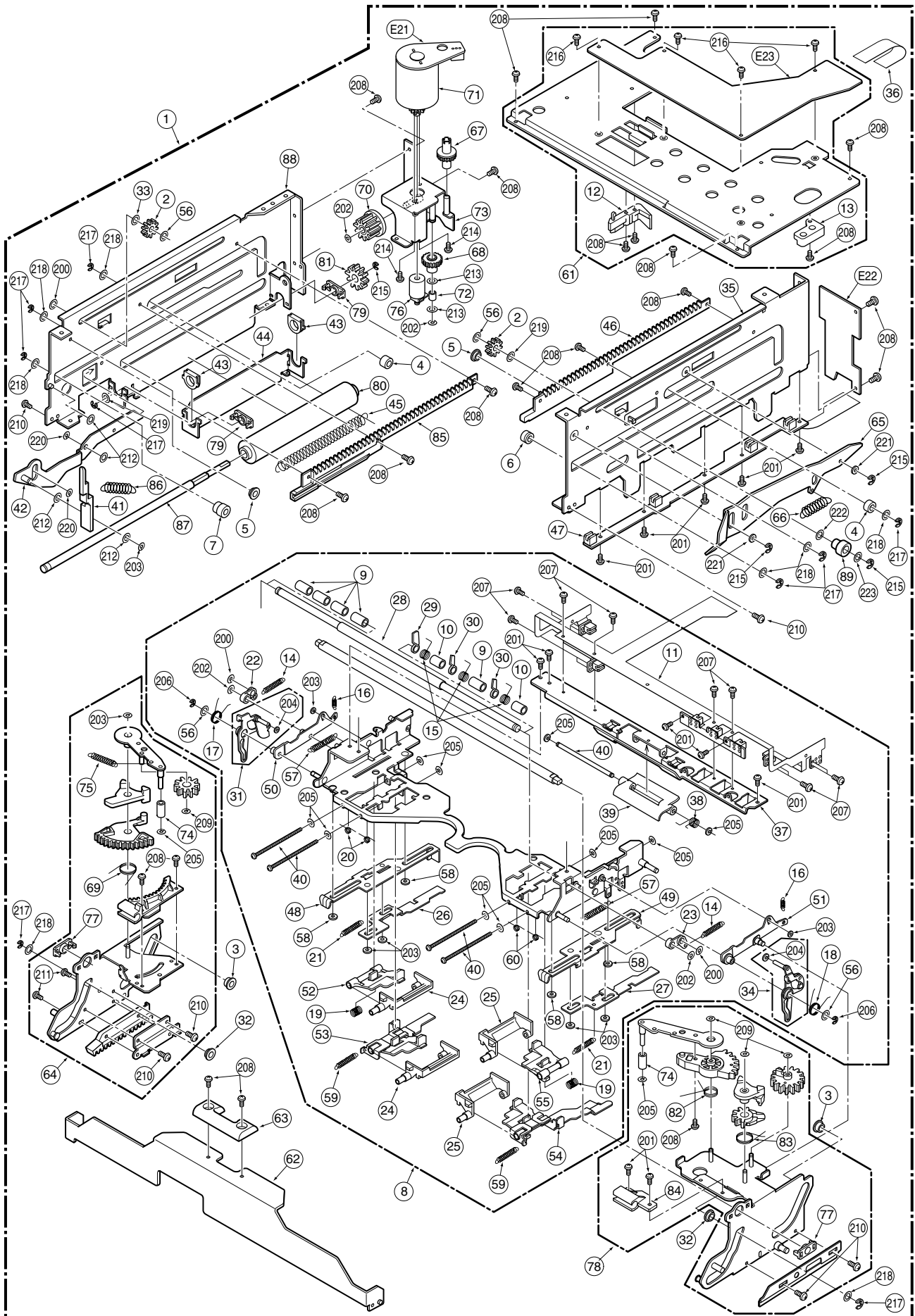


MPL-5

SUB CHASSIS ASSEMBLY

Ref.No.	Part No.	Part Name & Description	Pcs	Remarks	Ref.No.	Part No.	Part Name & Description	Pcs	Remarks
1	VMB3725	BACK CHARGE SPRING	1		114	XYN2+J5FJ	SCREW	1	
2	VMAOP68	REEL DRIVE MOTOR HOLDER	1						
3	VEMO777	REEL DRIVE MOTOR ASS'Y	1 (M)						
4	VXA7557	SUPPORT ANGLE R ASS'Y	1		E12	VEP82258A	MECH IF P. C. BAORD	1	
5	VXA7556	SUPPORT ANGLE L ASS'Y	1		E24	VEP80C69A	REEL SENSOR P. C. BOARD	1	
6	VXL3167	M RID OPENER ASS'Y	1						
7	VXA7533	RID OPENER BASE R 1 ASS'Y	1						
8	VML3742	RELEASE LEVER	1						
9	VMD4793	L COVER OPENER BASE	1						
10	VMB3721	M OPENER SPRING	1						
11	VXA7770	REEL DRIVE ASS'Y	1						
12	VMB3724	MIC DRIVE RETURN SPRING	1						
13	VXL3181	T BRAKE ARM XL ASS'Y	1						
14	VSJ0216	SOLENOID	3 (M)						
15	VXA7553	S BRAKE SOLENOID BASE ASS	1						
16	VMB3729	S BRAKE SPRING	1						
17	VXA7772C	MIC ASS'Y	1 (M)						
18	VXA7555	T BRAKE SOLENOID BASE ASS	1						
19	VMAOP66	REEL STOPPER SOLENOID BAS	1						
20	VMA0T50	MECHA I/F PLATE L	1						
21	VEK7692C	SENSOR HOLDER ASS'Y	2						
22	VMA0T51	MECHA I/F PLATE R	1						
23	VMB3730	T BRAKE SPRING	1						
24	VMB3743	STOPPER RETURN SPRING L	1						
25	VMB3744	STOPPER RETURN SPRING R	1						
26	VEMO819	S REEL MOTOR ASS'Y	1 (M)						
27	VEMO730	T REEL MOTOR ASS'Y	1 (M)						
28	VMS5923	REEL OUTER RAIL	2						
29	VMS7285	RAIL XL (OUT)	2						
30	VHD0995	SCREW	8						
31	VXA7982	COVER ASS'Y	1						
32	VXA7542	SLIDE ROD ASS'Y	1						
33	VXL3175	S BASE DRIVE ARM	1						
34	VXL3176	T BASE DRIVE ARM	1						
35	VXL3169	REEL STOPPER ASS'Y	1						
35-1	VMB3772	STOPPER RETURN SPRING A	1						
35-2	VMB3773	STOPPER RETURN SPRING B	1						
36	VMB3723	REEL CHARGE SPRING	2						
37	VMB3727	REEL LOCK RELEASE SPRING	3						
38	VMB3720	RELEASE LEVER SPRING	1						
39	VMAOP62	SUB STOPPER	1						
40	VML3741	RID OPENER L	1						
41	VMAOP60	RID OPENER BASE L	1						
42	VML3763	T BRAKE RELEASE ARM XL	1						
43	VXA7551	BACK 1 ASS'Y	1						
44	VMD4794	BACK BASE	1						
45	VXL3178	BACK ARM L ASS'Y	1						
46	VMB3728	BACK RETURN SPRING	1						
47	VXL3179	BACK STOPPER ARM ASS'Y	1						
48	VMD4795	FLEX. GUIDE	1						
49	VMM0461	EE ROD	1						
50	VXA7534C	EE BASE ASS'Y	1						
51	VMS7277	T BRAKE RELEASE ARM SHAFT	1						
52	VMZ3337	REEL FLEX COVER	2						
53	VML3761	S BRAKE RELEASE ARM XL	1						
54	VMS7275	S BRAKE RELEASE ARM SHAFT	1						
55	VXL3180	S BRAKE ARM XL ASS'Y	1						
56	VMA0T03	FOP BASE	1						
101	XQN2+CF4FJ	SCREW	4						
102	XYN26+F5FJ	SCREW	4						
103	XQN2+A15	SCREW	6						
104	XQN2+A2FJ	SCREW	6						
105	VMX1079	CUT WASHER	7						
106	VMX0967	CUT WASHER	30						
107	XQN2+CF3FJ	SCREW	24						
108	VMX0653	CUT WASHER	1						
109	VMX1548	CUT WASHER	2						
110	LMHD16064	SCREW	3						
111	VMX1061	WASHER	4						
112	XYN26+J4FJ	SCREW	6						
113	XYN2+C4FJ	SCREW	3						

FRONT LOADING ASSEMBLY

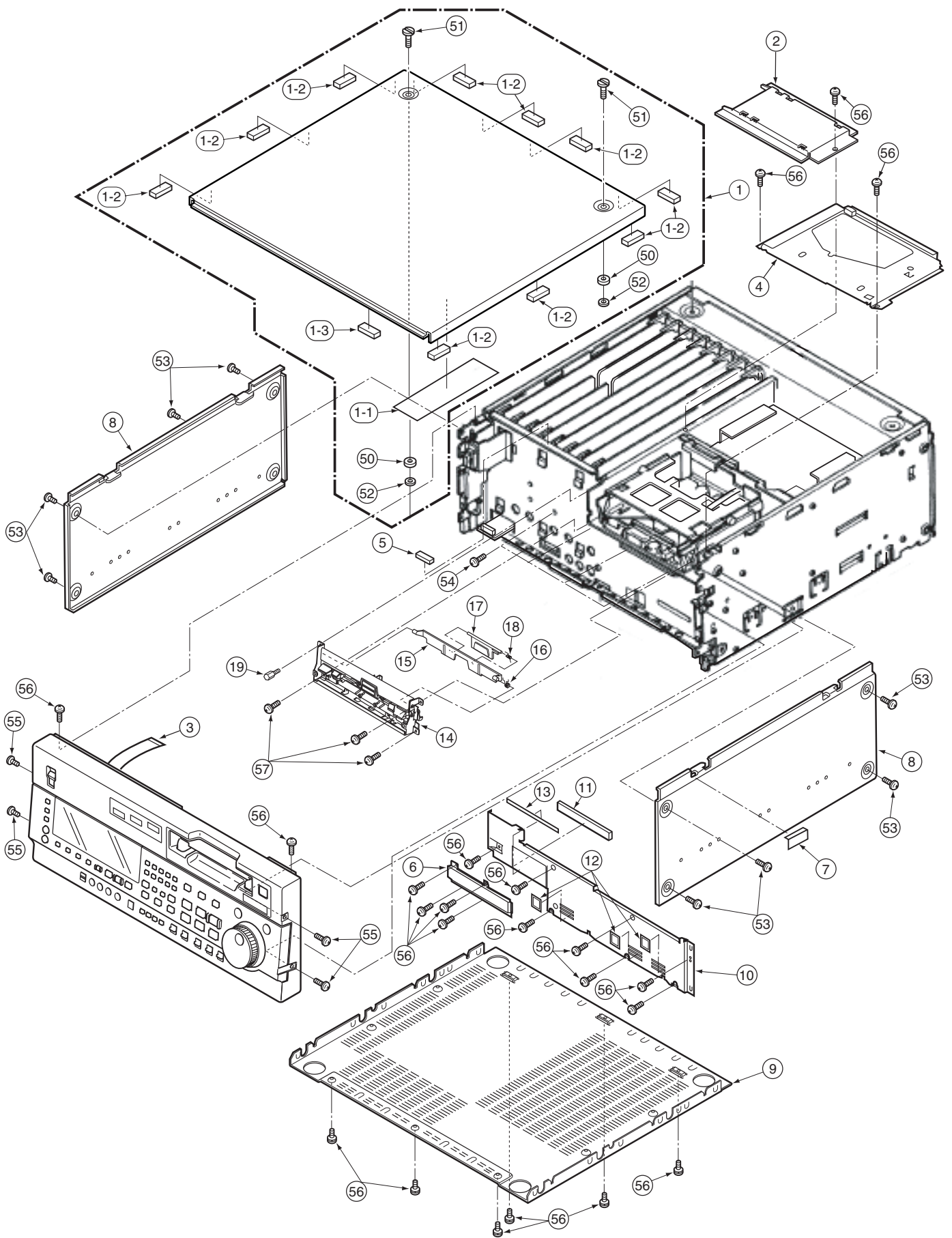


MPL-7

FRONT LOADING ASSEMBLY

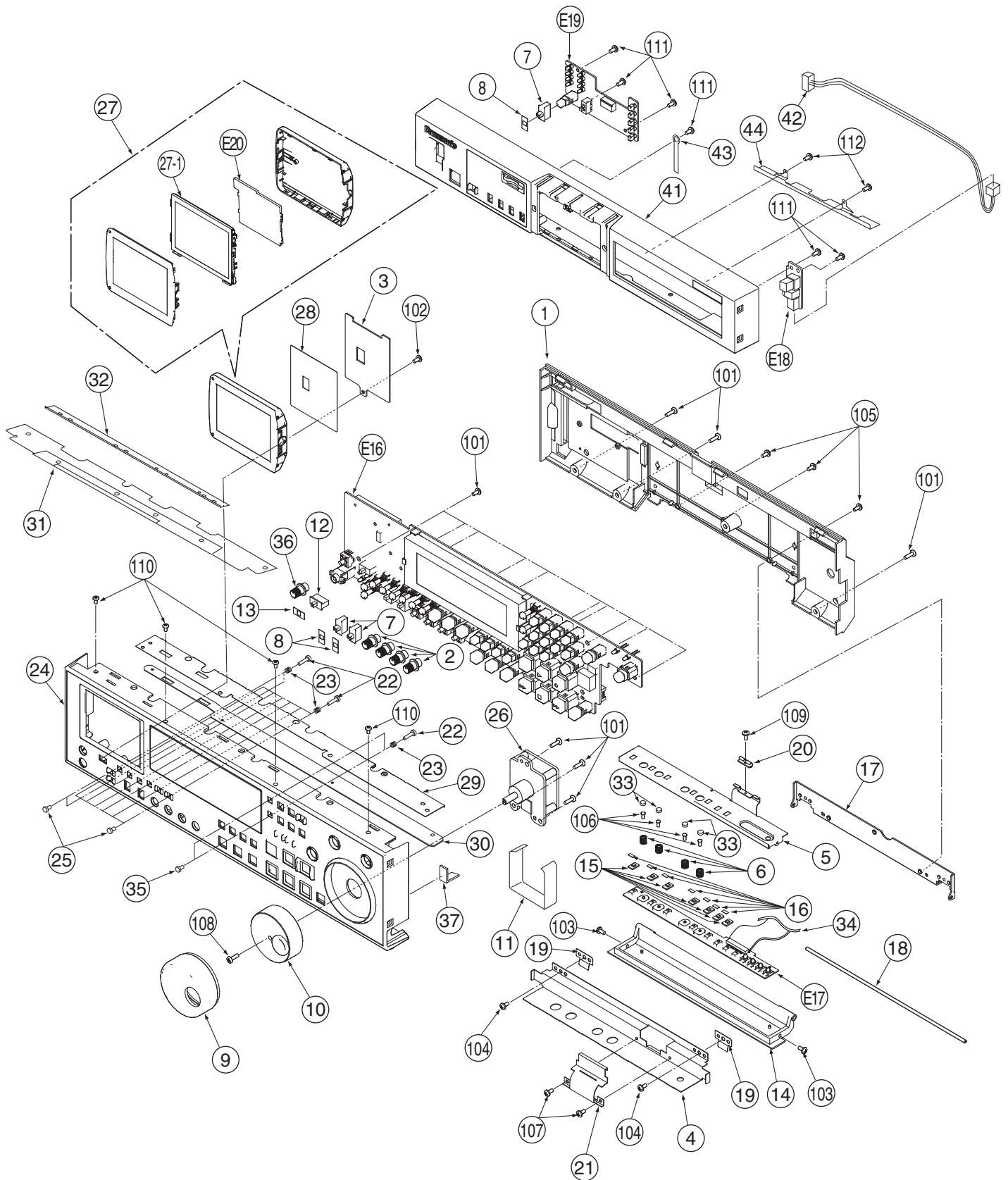
Ref.No.	Part No.	Part Name & Description	Pcs	Remarks	Ref.No.	Part No.	Part Name & Description	Pcs	Remarks
1	VXA7949	CASSETTE COMPARTMENT	1	(M)	75	VMB3710	ARM RETURN SPRING L	1	
2	VDG1579	MAIN SHAFT GEAR	2		76	VXP2250	MOTOR WORM ASS'Y	1	
3	VDP1842	HOLDER LIMIT ROLLER	2		77	VDB1395	MAIN SHAFT ANGLE	2	
4	VDP1843	HOLDER ROLLER	2		78	VXA7739	ELEVATOR PLATE R ASS'Y	1	
5	VDP1845	CASSETTE HOLDER ROLLER S	2		79	VDB1682	FIX BEARING	2	
6	VDP1846	CASSETTE HOLDER ROLLER L	1		80	VDG1577	SLOT IN STAND WORM	1	
7	VDP1851	BLINDER DRIVE ROLLER	1		81	VDG1587	SLOT IN WORM SHAFT GEAR	1	
8	VXA7738	CASSETTE HOLDER ASS'Y	1		82	VMB3712	ARM RETURN SPRING R	1	
9	VDP1839	HOLDER ROLLER STAND	5		83	VMB3713	KICK OFF RETURN SPRING R	1	
10	VDP1840	HOLDER ROLLER S	2		84	VMD4790	ELEVATOR HOLD PIECE	1	
11	VEK9937	HOLDER FLEX. ASS'Y	1		85	VDG1588	FIX LACK L	1	
12	VMD4791	KICK OFF LEVER STOPPER L	1		86	VMB3731	RETURN SPRING	1	
13	VMD4792	KICK OFF LEVER STOPPER R	1		87	VMS7240	WORM SHAFT	1	
14	VMB3769	CASSETTE HOLD SPRING A	2		88	VXA7575	SIDE PLATE L 1 ASS'Y	1	
15	VMB3700	CASSETTE DETECT SPRING	3		89	VDP1861	MAIN SHAFT COLOR B	1	
16	VMB3701	CHARGE SPRING	2						
17	VMB3702	SUPPORT HOLD SPRING L	1						
18	VMB3703	SUPPORT HOLD SPRING R	1		200	VMX1079	CUT WASHER	3	
19	VMB3705	L RID LOCK SPRING	2		201	LMHD16064	SCREW	12	
20	VMB3706	M GUIDE SPRING	2		202	VMX0653	CUT WASHER	4	
21	VMB3707	XL RID SPRING	2		203	VMX0967	CUT WASHER	8	
22	VML3723	CASSETTE HOLD LEVER L	1		204	VMX2391	CUT WASHER	2	
23	VML3724	CASSETTE HOLD LEVER R	1		205	VMX1061	WASHER	12	
24	VML3726	M GUIDE L	2		206	XUC2FP	E-RING	2	
25	VML3727	M GUIDE R	2		207	XQN16+A3	SCREW	8	
26	VMM0450	XL DETECT ROD L	1		208	XYN2+C4	SCREW	22	
27	VMM0452	XL DETECT ROD R	1		209	VMX1599	CUT WASHER	4	
28	VMS7227	PRESSURE ROLLER AXIS	1		210	XQN2+A3	SCREW	6	
29	VMX3263	ADAPTOR DETECT LEVER	1		211	XYN2+C6	SCREW	2	
30	VMX3264	L/M DETECT LEVER	2		212	XWGV2Y4G	WASHER	4	
31	VXA7563	SUPPORT HOLD L ASS'Y	1		213	XWGV3Y6G	WASHER	2	
32	VDP1841	CHARGE ROLLER	2		214	XYN3+K4	SCREW	2	
33	XWGV26Z5G	WASHER	1		215	XUC15FP	E-RING	4	
34	VXA7564	SUPPORT HOLD R ASS'Y	1		216	XYN2+C4	SCREW	4	
35	VXA7580	SIDE PLATE R1 ASS'Y	1		217	XUC25FP	E-RING	9	
36	VWJ20C2050L0	FLAT CABLE	1		218	XWGV3Y8G	WASHER	8	
37	VMA0P44	HOLDER ANGLE	1		219	XWGV3Z6G	WASHER	2	
38	VMB3704	SPRING	1		220	VMX0967	CUT WASHER	2	
39	VML3725	LEVER	1		221	XWGV2D6G	WASHER	2	
40	VMS6108	KICK OFF ROD SHAFT	5		222	XWGV3D6G	WASHER	1	
41	VML3765	OPENER ARM	1		223	XWGV2Y5G	WASHER	1	
42	VXL3200	BLINDER DRIVE ARM 1 ASS'Y	1						
43	VDB1683	MOVE BEARING	2						
44	VMA0P51	EJECT CHARGE PLATE	1						
45	VMB3714	EJECT CHARGE SPRING	1		E21	VEP80D37A	MOTOR IF P. C. BOARD	1	
46	VDG1592	MAIN SHAFT LUCK R	1		E22	VEP80C65A	SLOT IN P. C. BOARD	1	
47	VEK9938	SIDE FLEX. ASS'Y	1		E23	VEP80C66A	TOP PLATE P. C. BOARD	1	
48	VXA7567	SUB HOLDER L ASS'Y	1						
49	VXA7568	SUB HOLDER R ASS'Y	1						
50	VXL3182	CHARGE LEVER L ASS'Y	1						
51	VXL3183	CHARGE LEVER R ASS'Y	1						
52	VXL3234	L RID LOCK RELEASE L ASSY	1						
53	VXL3235	M RID LOCK RELEASE L ASSY	1						
54	VXL3236	L RID LOCK RELEASE R ASSY	1						
55	VXL3237	M RID LOCK RELEASE R ASSY	1						
56	XWGV4Z7G	POLYSLIDER W	4						
57	VMB3709	SUB HOLDER SPRING	2						
58	VMX0967	CUT WASHER	4						
59	VMB3708	M RID LOCK SPRING	2						
60	VMB3749	M GUIDE SPRING R	2						
61	VXA7581	TOP PLATE ASS'Y	1						
62	VMA0P46	FRONT GUIDE ANGLE	1						
63	VML3766	FRONT GUIDE	1						
64	VXA7570	ELEVATOR PLATE L ASS'Y	1						
65	VMA0P54	MOVE LEVER	1						
66	VMB3716	MOVE LEVER SPRING	1						
67	VDG1589	EMERGENCY GEAR	1						
68	VDG1590	MOTOR CONNECTION GEAR	1						
69	VMB3711	KICK OFF RETURN SPRING L	1						
70	VDG1591	WORM WHEEL	1						
71	VEM0808	SLOT IN MOTOR ASS'Y	1	(M)					
72	VMB3715	EMERGENCY SPRING	1						
73	VXA7578	MOTOR BRACKET 1 ASS'Y	1						
74	VDP1844	KICK OFF ROLLER	2						

CASING ASSEMBLY



MPL-9

FRONT PARTS ASSEMBLY



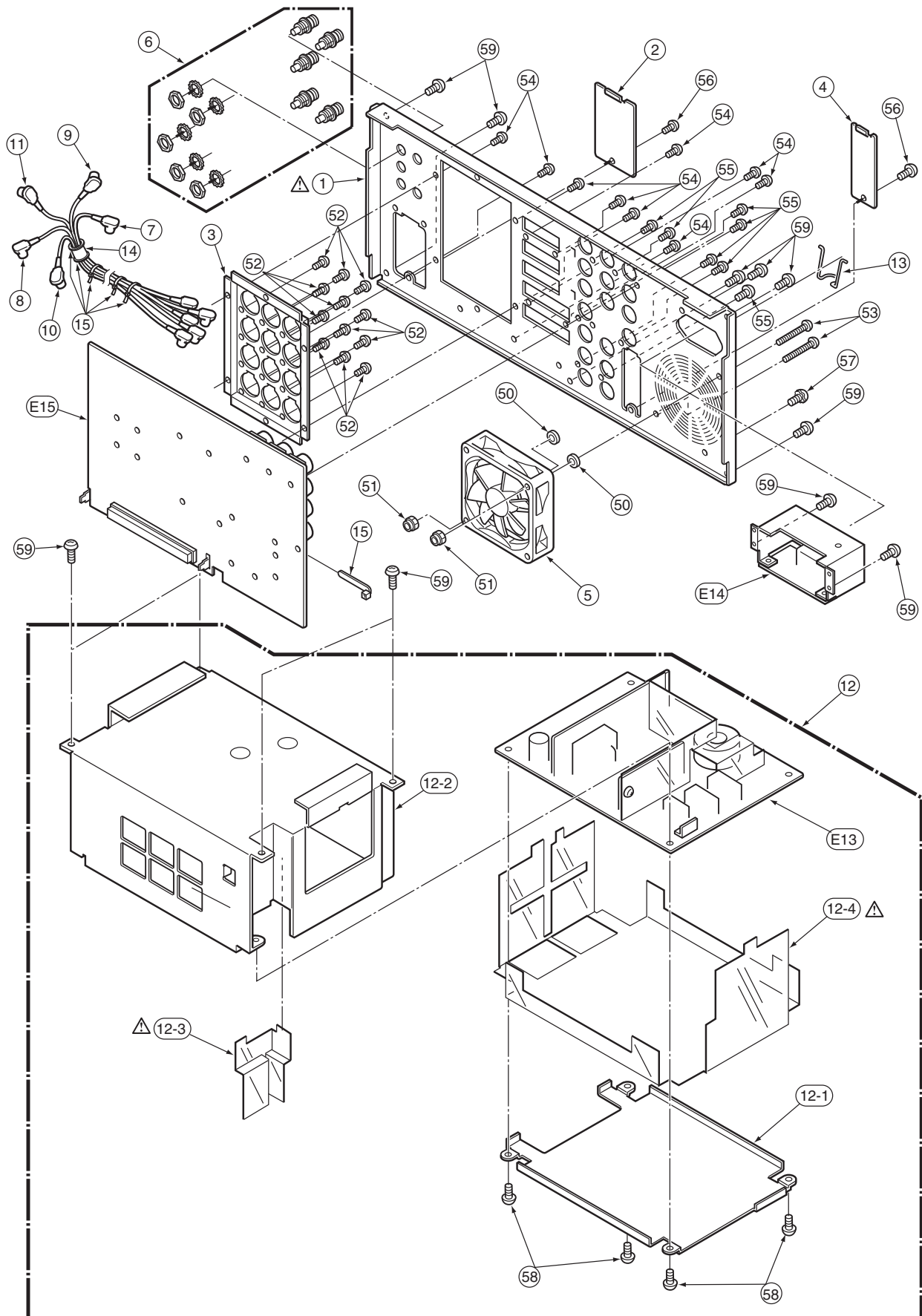
MPL-11

FRONT ASSEMBLY

Ref.No.	Part No.	Part Name & Description	Pcs	Remarks	Ref.No.	Part No.	Part Name & Description	Pcs	Remarks
1	VKU0595	BACK COVER	1						
2	VGU9664	VR KNOB	4						
3	VMP8075	LCD PROTECTION ANGLE	1						
4	VGM2096	SUB CONTROL SUPPORT ANGLE	1						
5	VGM2097	SUB CONTROL ANGLE	1	FOR AJ-SD965P/E/D965MC					
5	VGM2113	SUB CONTROL ANGLE	1	FOR AJ-SD945E					
6	VGU7178	VR KNOB	4						
7	VGU9663	SLIDE KNOB	3						
8	VGH4776	SLIDE KNOB SHEET	3						
9	VGU9614	SEARCH DIAL RUBBER	1						
10	VGU9613	SEARCH DIAL KNOB	1						
11	VGF0802	SEARCH DIAL COVER	1						
12	VGU5582	SWITCH KNOB	1	FOR AJ-SD965P/E/D965MC					
13	VGF1008	SLIDE SW SHEET	1	FOR AJ-SD965P/E/D965MC					
14	VKF3541	SUB SW DOOR	1						
15	VGU7179	SLIDE SW KNOB	7						
16	VQLOF68	SLIDE SW SEAL	7						
17	VGM2117	SUB CONTROL ANGLE	1						
18	VMS6012	SHAFT	1						
19	VMB2978	LEAF SPRING	2						
20	VMC1241	EARTH PLATE	1						
21	VMP8356	EARTH PLATE SUB	1						
22	VGG3176	PUSH BUTTON	10						
23	VMB3942	KEY SW COIL SPRING	10						
24	VYP9047	FRONT PANEL (2) U (LOWER)	1	FOR AJ-SD965P/E					
24	VYP9048	FRONT PANEL (2) U (LOWER)	1	FOR AJ-D965MC					
24	VYP9049	FRONT PANEL (2) U (LOWER)	1	FOR AJ-SD945E					
25	VGU9190	PUSH BUTTON S	8						
26	K9B270YY0001	SEARCH DIAL	1						
27	VEK0684	LCD U	1						
27-1	KBCUGS100VM	BACK LIGHT U	1						
28	VMZ3475	INSULATION SHEET	1						
29	VMP8168	PANEL ANGLE	1						
30	VMP8169	FIX ANGLE	1						
31	VSC5654	PANEL EARTH SHEET	1						
32	VMP8288	SHEET MOUNT ANGLE	1						
33	VMT1648	VR CAP	4						
34	VWJ20SW130LO	FLEX. CABLE	1						
35	VGU9189	PUSH BUTTON B	2						
36	VGU9767	HP VR KNOB	1						
37	VMT1563	SOFT HIGH SHIELD GASKET	1						
41	VYP9099	FRONT UPPER PANEL (1) U	1	FOR AJ-SD965P/E/D965MC					
41	VYP9100	FRONT UPPER PANEL (1) U	1	FOR AJ-SD945E					
42	VEEOW79	EJECT CONNECTION CABLE	1						
43	VJF1443	CLAMPER	1						
44	VJF1475	HARNESS SHEET	1						
101	XTN4+10GFJ	SCREW	16						
102	XTV3+8GFJ	SCREW	1						
103	XSS26+6FJK	SCREW	2						
104	XSB3+6FJK	SCREW	2						
105	XSB3+8FJK	SCREW	3						
106	XQN14+C4FJ	SCREW	4						
107	XSN26+3FJ	SCREW	2						
108	XSN2+8FJ	SCREW	1						
109	XSN2+3FJ	SCREW	1						
110	XSB26+5FJ	SCREW	4						
111	XTV3+8GFZ	SCREW	6						
112	XTB2+6GFZ	SCREW	2						
E16	VEP86340B	FRONT MAIN P. C. BAORD	1	FOR AJ-SD965P/E/D965MC					
E16	VEP86340C	FRONT MAIN P. C. BOARD	1	FOR AJ-SD945E					
E17	VEP80C89A	FRONT POCKET P. C. BOARD	1	FOR AJ-SD965P/E/D965MC					
E17	VEP80C89B	FRONT POCKET P. C. BOARD	1	FOR AJ-SD945E					
E18	VEP80D32A	FRONT EJECT P. C. BAORD	1						
E19	VEP80D33A	FRONT UP EJECT P. C. BAORD	1	FOR AJ-SD965P/E/D965MC					
E19	VEP80D33B	FRONT UP EJECT P. C. BOARD	1	FOR AJ-SD945E					
E20	VEP26257C	MONITOR P. C. BOARD	1						


REAR PANEL ASSEMBLY

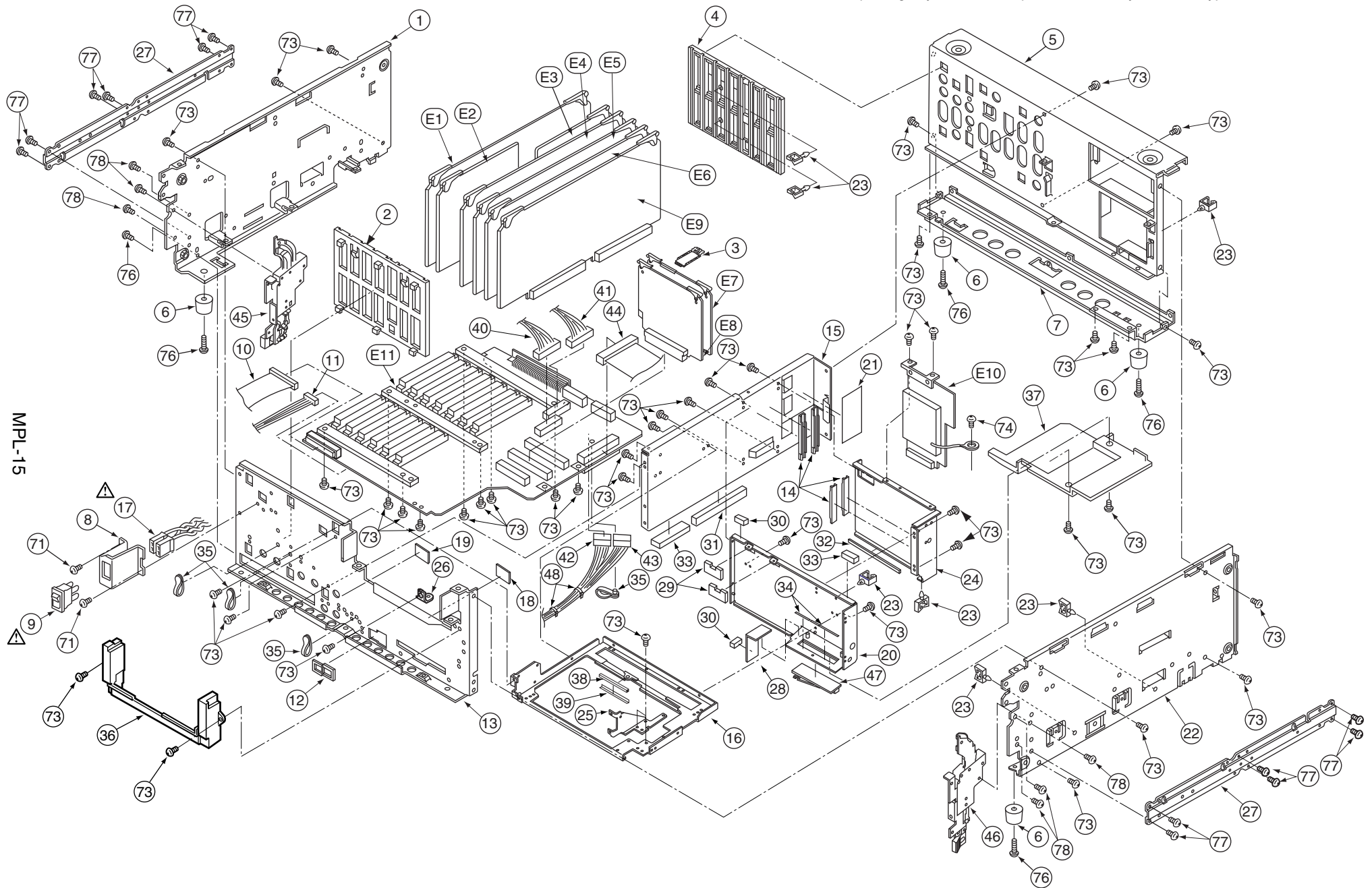
Components identified with the mark \triangle have the special characteristics for safety. When replacing any of these components, use only the same type.




MPL-13

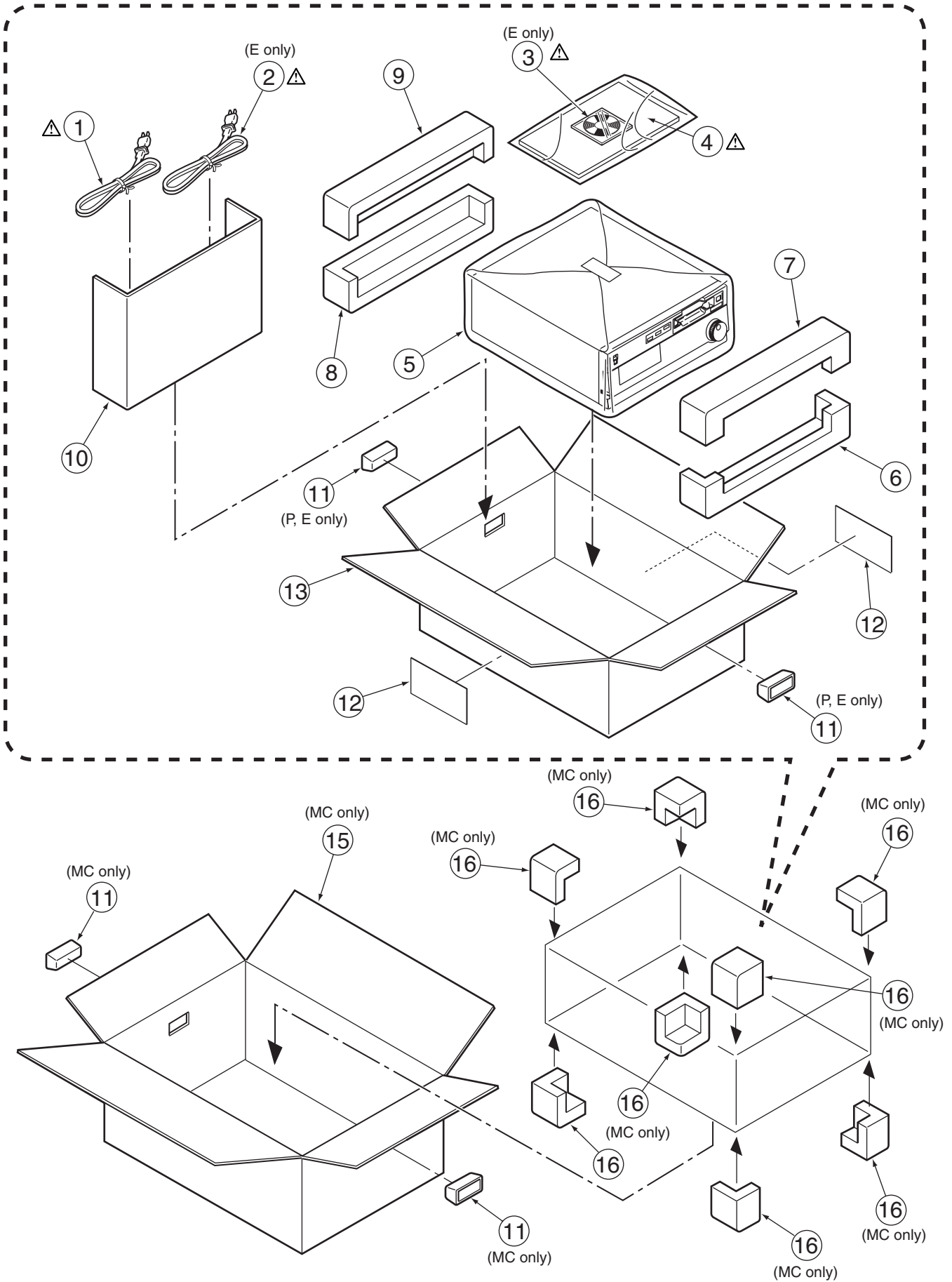
CHASSIS FRAME ASSEMBLY

Components identified with the mark  have the special characteristics for safety. When replacing any of these components, use only the same type.




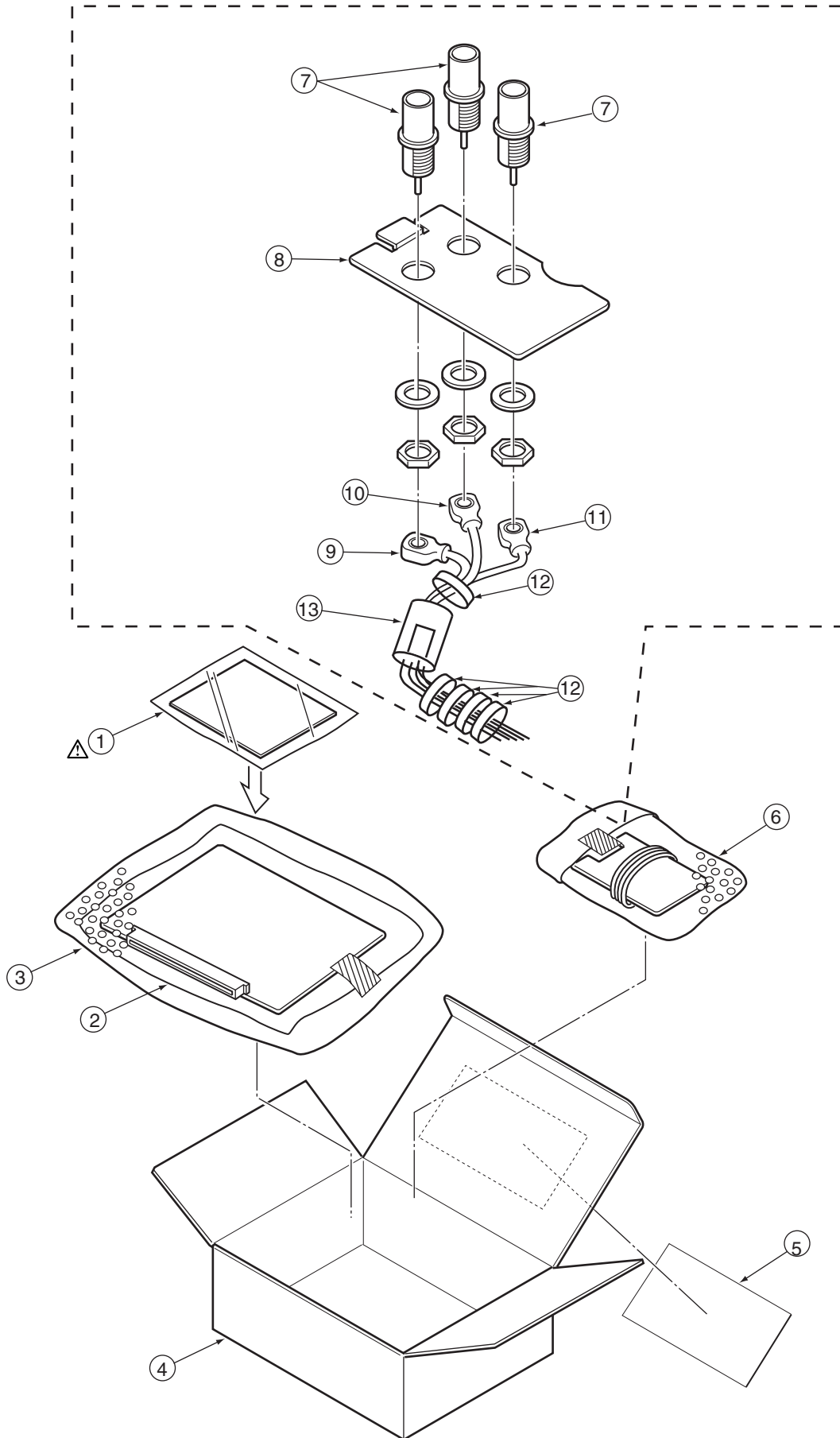
PACKING PARTS ASSEMBLY

Components identified with the mark  have the special characteristics for safety. When replacing any of these components, use only the same type.



PACKING PARTS ASSEMBLY (AJ-YAC965E)

Components identified with the mark  have the special characteristics for safety. When replacing any of these components, use only the same type.



Free Manuals Download Website

<http://myh66.com>

<http://usermanuals.us>

<http://www.somanuals.com>

<http://www.4manuals.cc>

<http://www.manual-lib.com>

<http://www.404manual.com>

<http://www.luxmanual.com>

<http://aubethermostatmanual.com>

Golf course search by state

<http://golfingnear.com>

Email search by domain

<http://emailbydomain.com>

Auto manuals search

<http://auto.somanuals.com>

TV manuals search

<http://tv.somanuals.com>